



# GATES



**BelAire<sup>®</sup>**  
DESIGNER FENCING

*...make it your own!*



# SLAT GATES

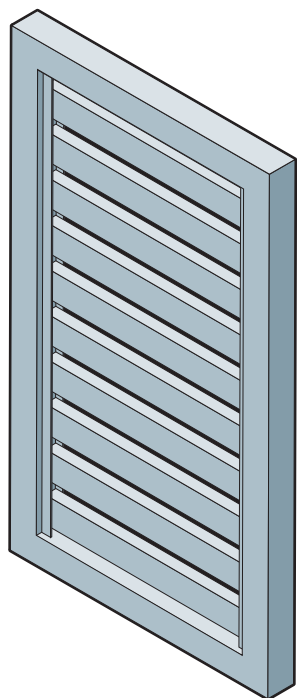
**Height:** 1200mm - 2100mm

**Pedestrian Gate Width:** 800mm - 2500mm

**Driveway Swing Gate Width:** 800mm - 2500mm

**Driveway Sliding Gate Width:** 2500mm - 6000mm

**Colour:** Client's choice of any Dulux powdercoat colour



**Height:** 1200mm, 1500mm and 1800mm

**Pedestrian Gate Width:** Up to 1000mm

**Powder-coat colours:**



Titania



Gull Grey



Slate Grey



Grey Friars



Ironsand



Flax



Ebony

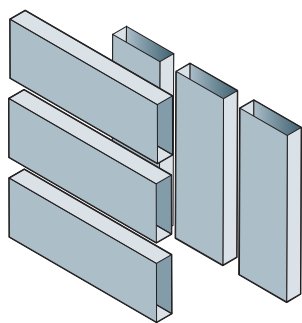
**Construction:**

Powdercoated aluminium.

**Slat dimensions:**

- Standard 85mm (height) x 25mm (width)
- Custom 60mm (height) x 25mm (width)

**Also available in vertical slats.**



All gates come with a 60mm x 60mm aluminium frame as standard unless stated otherwise.

For larger sliding gates we use a 100mm high x 60mm width bottom rail for strength and a 60mm x 60mm surround frame.



# ECO SLAT GATE KIT

**Height:** 1200mm, 1500mm and 1800mm

**Pedestrian Gate Width:** Up to 1000mm

**Powder-coat colours:**



Titania



Gull Grey



Slate Grey



Grey Friars



Ironsand



Flax

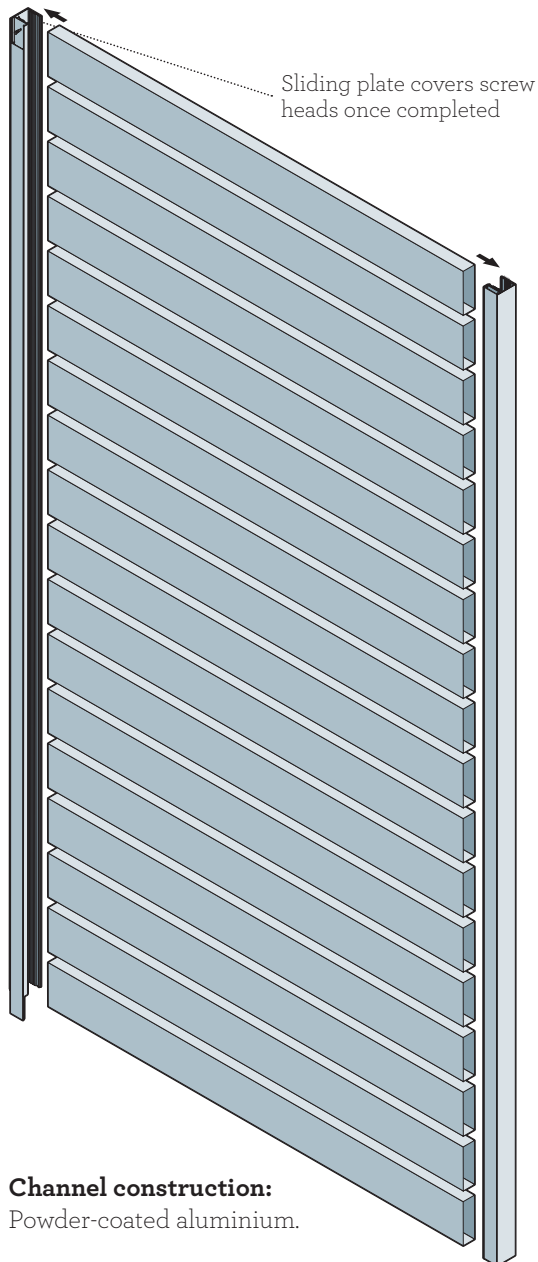


Ebony

## Introducing our new, economical, cut-to-size, kitset slat gate

Supplied in kit form as:  
Two 1200mm channels and 12 x 1000mm wide slats (85mm x 25mm), or  
Two 1500mm channels and 15 x 1000mm wide slats (85mm x 25mm), or  
Two 1800mm channels and 18 x 1000mm wide slats (85mm x 25mm)

Gates also include 2 x Stainless steel Butt hinges, and a Viper Gravity latch (lockable from both sides)  
Simply assemble your gate - the sliding plate covers will cover the screws to provide a professional finish.



**Channel construction:**  
Powder-coated aluminium.

Channel: 39mm x 32mm  
(includes sliding screw cover plate)



**Above:**

Double Eco Slat Gate Kits shown,  
cut down in height to 1485mm (15 slats)

### Slat construction:

85mm x 25mm

1.6mm powder-coated aluminium

It is important to note that our gates with 25mm wide slats are superior in strength to some inferior walls with 16mm wide slats.

# LOUVRE GATES

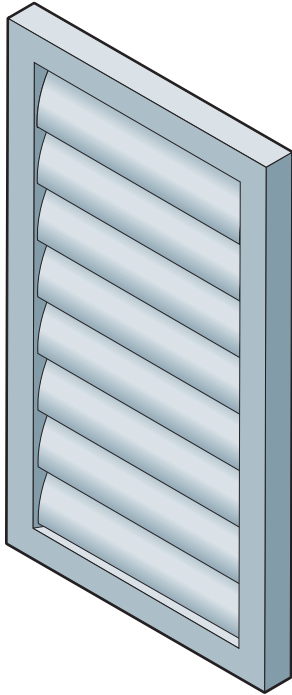
**Height:** 1200mm - 2100mm

**Pedestrian Gate Width:** 800mm - 2500mm

**Driveway Swing Gate Width:** 800mm - 2500mm

**Driveway Sliding Gate Width:** 2500mm - 6000mm

**Colour:** Client's choice of any Dulux powdercoat colour

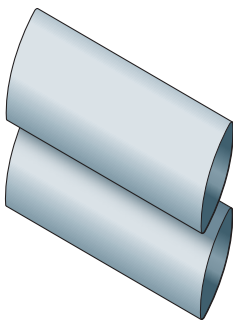


**Construction:**

Powdercoated aluminium.

**Louvre dimensions:**

- 135mm (height) x 30mm (width)



All gates come with a 60mm x 60mm aluminium frame as standard unless stated otherwise.

For larger sliding gates we use a 100mm high x 60mm width bottom rail for strength and a 60mm x 60mm surround frame.



# SOLID GATES

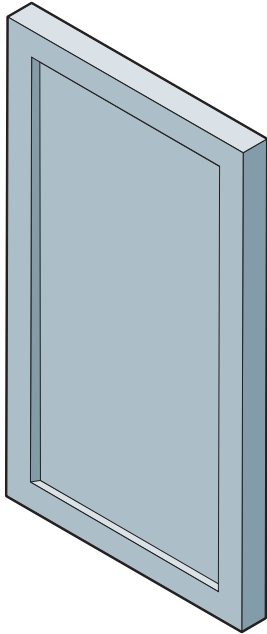
**Height:** 1200mm - 2100mm

**Pedestrian Gate Width:** 800mm - 2500mm

**Driveway Swing Gate Width:** 800mm - 2500mm

**Driveway Sliding Gate Width:** 2500mm - 6000mm

**Colour:** Preprimed and ready for painting

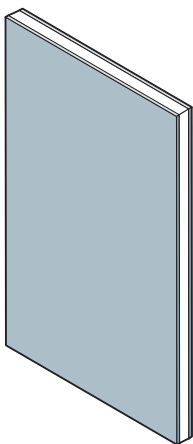


**Construction:**

0.55mm preprimed steel outer skins.  
13mm expanded polystyrene core.  
Welded Aluminium frame.

**Panel dimensions:**

- Up to 1200mm (wide)  
x 2100mm (width)



# TUBULAR GATES

**Height:** 1200mm - 2100mm

**Pedestrian Gate Width:** 950mm

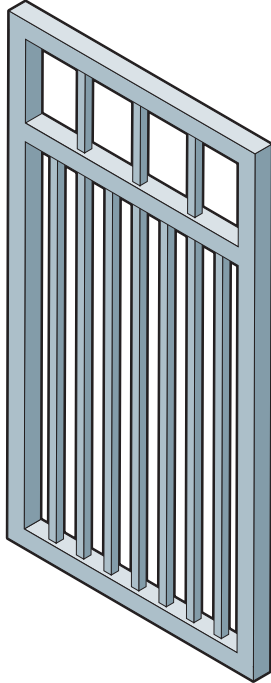
**Driveway Swing Gate Width:** 1000mm - 2300mm

**Driveway Sliding Gate Width:** 2300mm - 6000mm

**Horizontal rails:** 40mm x 40mm | **Vertical bars:** 19mm x 19mm

**Stile size:** 50mm x 50mm, 60mm x 60mm

**Colour:** Powder-coated black as a standard colour or custom colour of choice at extra cost



**Construction:**

2mm aluminium.

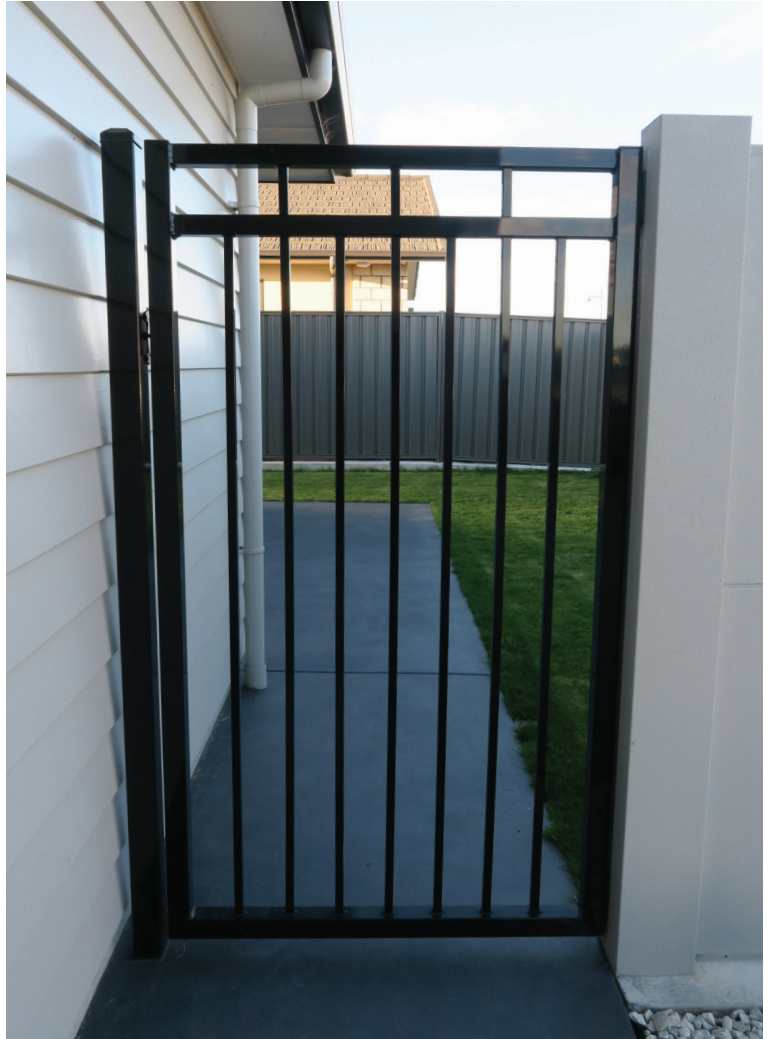
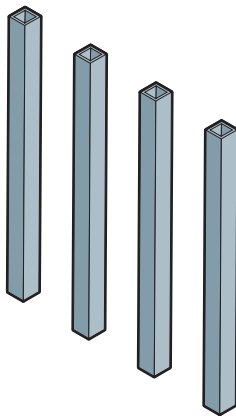
**Rail dimensions:**

- 40mm (width) x 40mm (depth)

**Picket dimensions:**

- 19mm (width) x 19mm (depth)

It is important to note that our 'square cross section' tubular gates are superior in strength to some inferior, 'round cross section' gates.



# TONGUE & GROOVE GATES

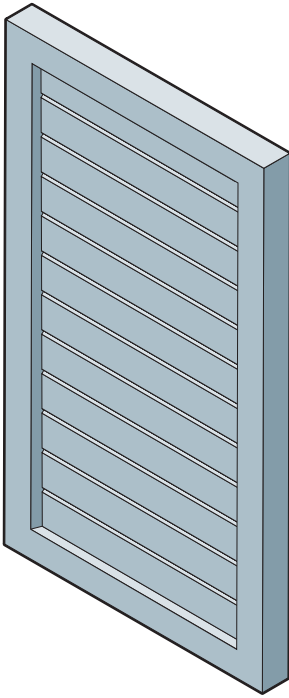
**Height:** 1200mm - 2100mm

**Pedestrian Gate Width:** 800mm - 2500mm

**Driveway Swing Gate Width:** 800mm - 2500mm

**Driveway Sliding Gate Width:** 2500mm - 6000mm

**Colour:** Client's choice of powdercoat colour



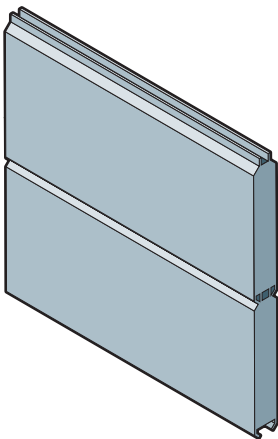
**Construction:**

1.6mm aluminium T&G with a 60 mm x 60mm frame.

**Tongue & groove dimensions:**

- 14.8mm (width) x 84.38mm (height)  
80mm cover

**Vertical & horizontal options available**



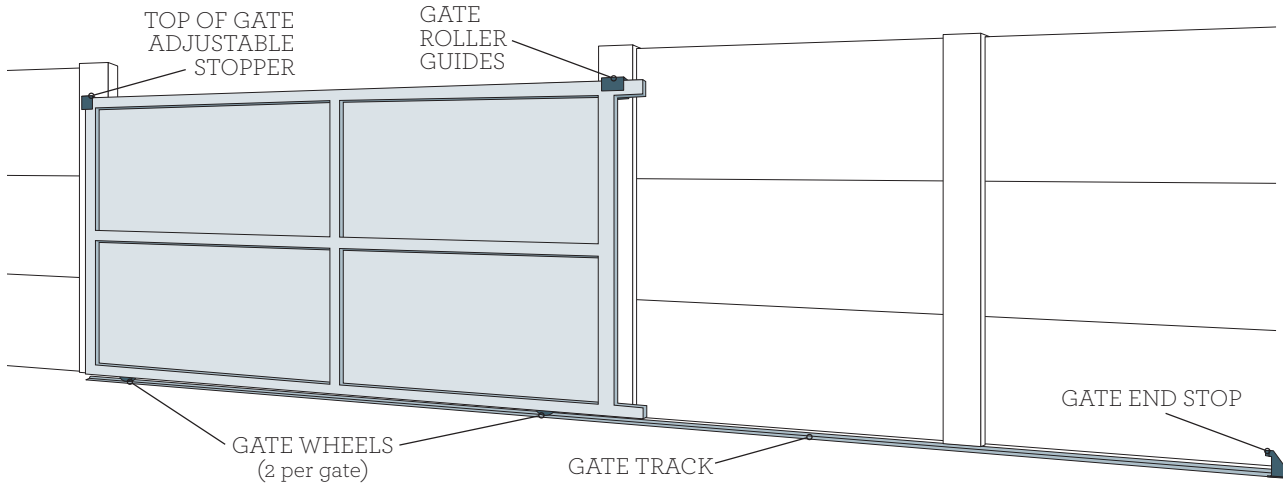
All gates come with a 60mm x 60mm aluminium frame as standard unless stated otherwise.

For larger sliding gates we use a 100mm high x 60mm width bottom rail for strength and a 60mm x 60mm surround frame.





# SLIDING GATES



## GATE ROLLER GUIDE

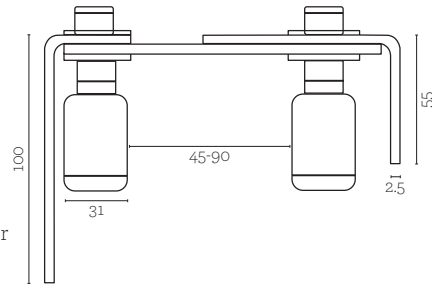
Heavy Duty 2.4mm Steel



Order Code: BELTRB

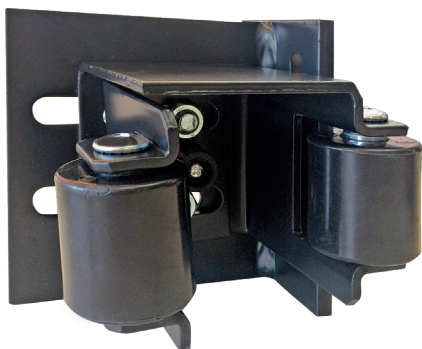
### SPECIFICATION

- Heavy duty top gate support roller
- Powdercoated black



## TOP OF GATE ADJUSTABLE STOPPER

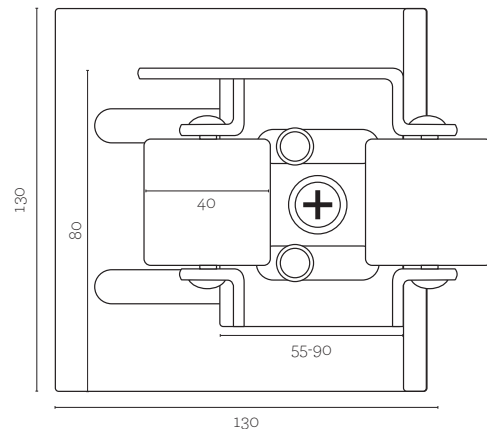
Heavy Duty 2.4mm/8mm Steel



Order Code: BELGS

### SPECIFICATION

- Fully adjustable end catch
- Heavy duty
- Powdercoated black



# GATE TRACK

## Heavy Duty 3mm Galvanised Steel

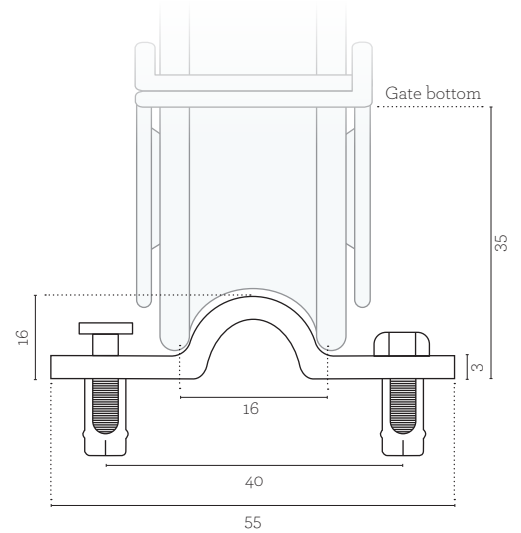


Order Code: BELGT

### SPECIFICATION

- Heavy duty galvanised gate track
- Fittings excluded

Supplied in 3m long lengths



# GATE WHEELS

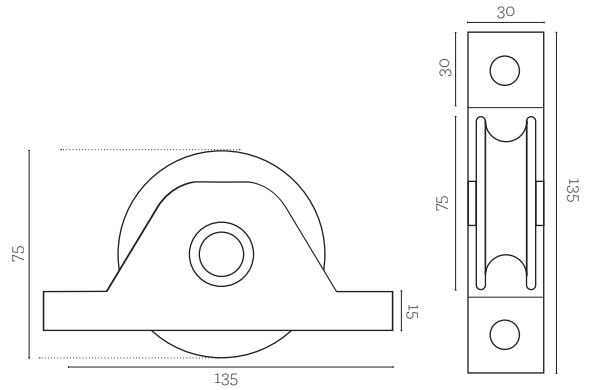
## Heavy Duty Steel



Order Code: BELSGW

### SPECIFICATION

- Heavy duty up to 300kg
- Powercoated black



# GATE END STOP

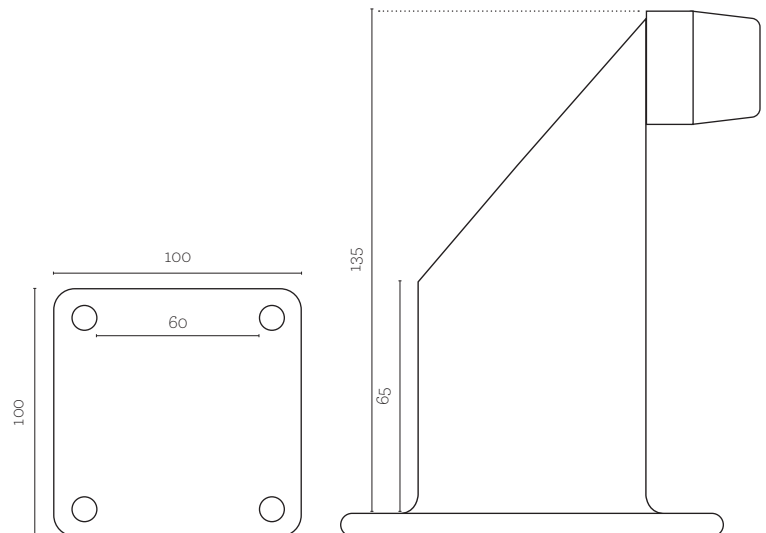
## Heavy Duty 8mm Steel



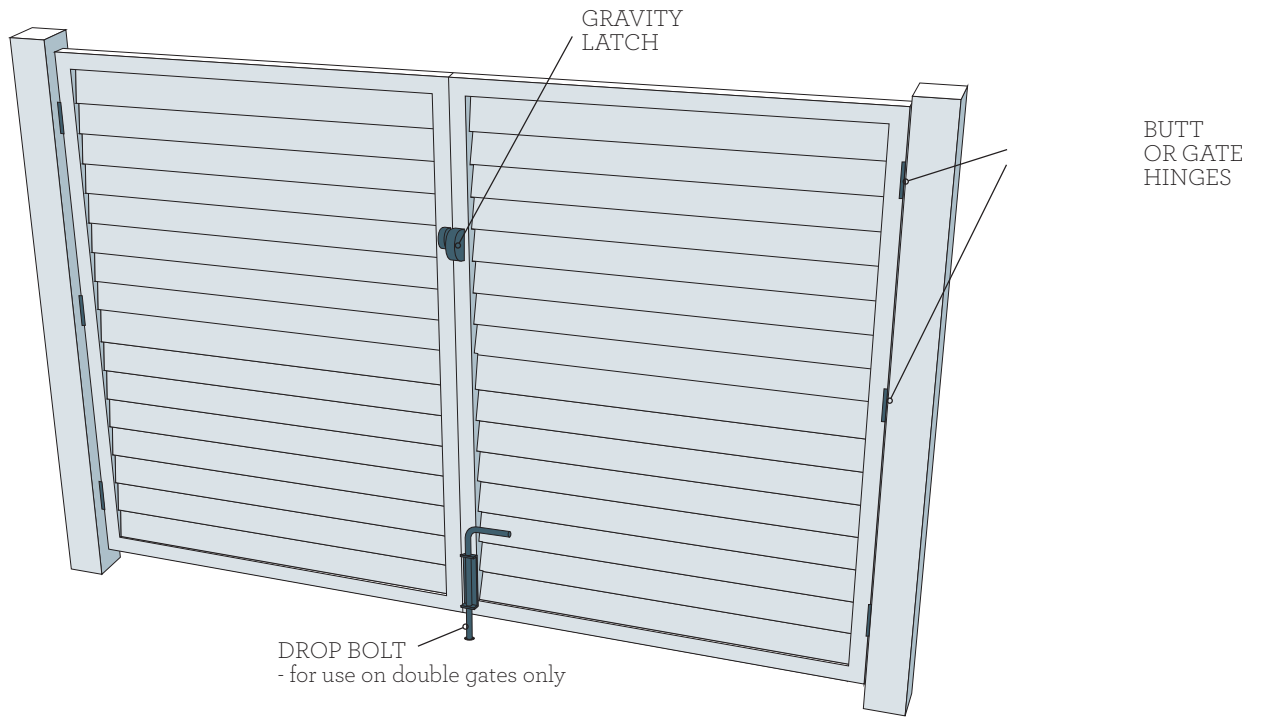
Order Code: BELGES

### SPECIFICATION

- Rigid bolt down
- Powercoated black



# HINGED GATES



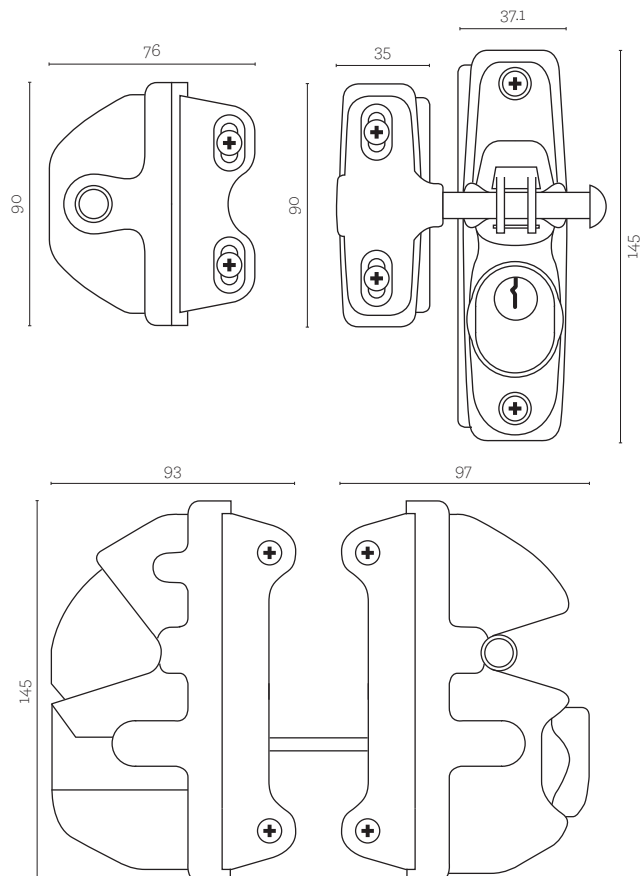
## GRAVITY LATCH Polymer and Stainless Steel



Order Code: BELHGL

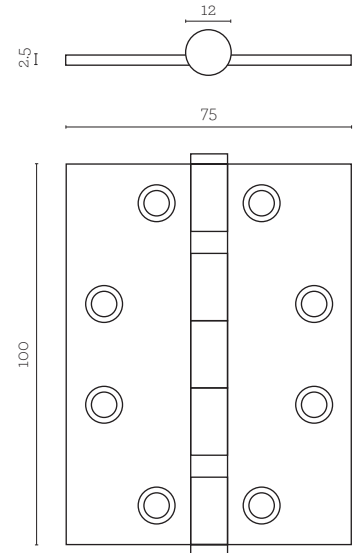
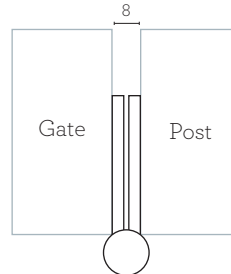
### SPECIFICATION

- High grade polymer and stainless steel
- Resists UV and rust degradation



# STAINLESS STEEL BUTT HINGE

## 304 Grade Satin Finish Stainless Steel



Order Code:

**Stainless:** BELSSBH

**Stainless Black:** BELSSBH B

### SPECIFICATION

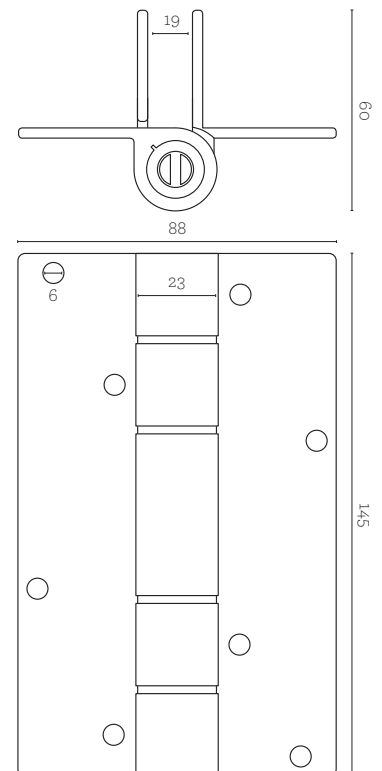
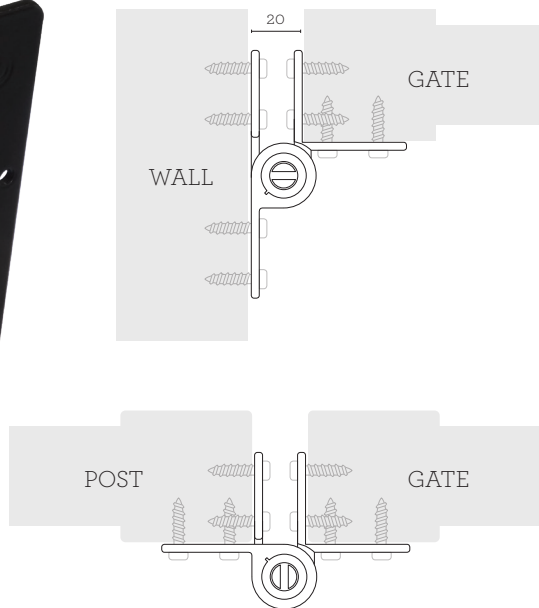
- 304 grade stainless steel
- Satin finish
- Fixed pin
- Square edge
- Stainless steel screws supplied
- Size: 100mm x 75mm 2.5mm
- For gates from 900 - 1500mm wide
- Rivets provided

When using **STAINLESS STEEL BUTT HINGES**, leave a gap between the posts that is:

- 25mm wider than the gate (for a single gate) or
- 35mm wider than the gates (for double gates).

# HEAVY-DUTY BLACK HINGE

## 3mm Aluminium Wall or Post Mounted



Order Code: BELKFH

### SPECIFICATION

- 3mm aluminium
- Black satin finish
- Adjustable tension
- Size: 145mm x 88mm 55mm
- For gates up to 1500mm wide

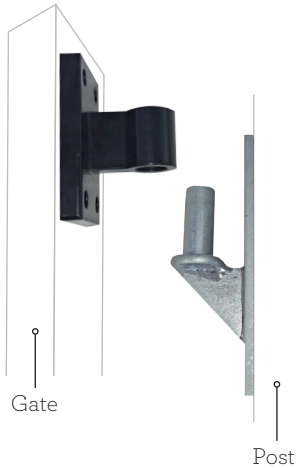
When using **HEAVY-DUTY BLACK HINGES**, leave a gap between the posts that is:

- 35mm wider than the gate (for a single gate) or
- 55mm wider than the gates (for double gates).

# HINGED GATES

## HEAVY DUTY GATE HINGES

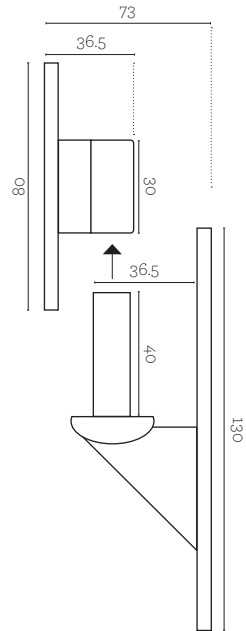
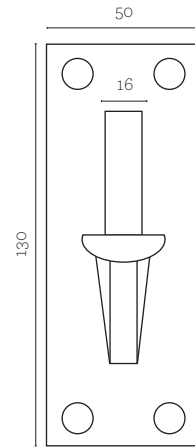
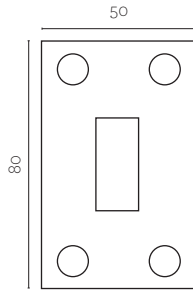
8mm Steel



Order Code: BELHDGH

### SPECIFICATION

- Screw on fittings
- Powercoated to same as gate colour
- For gates 1500 - 2500mm wide



## DROP BOLT

12mm Diameter Steel

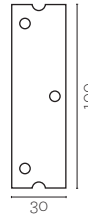
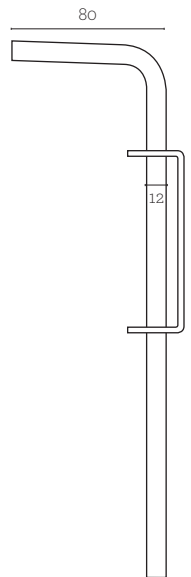
Order Code:

**Stainless:** BELDB

**Stainless Black:** BELDB B

### SPECIFICATION

- Screw on fittings



Order Code:  
BELDB

# POOL HINGE & LATCH SET

SET INCLUDES 2 HINGES & LATCH: Order Code: PGH

## MAGNETIC SAFETY LATCH

Polymer and stainless steel

### SPECIFICATION

- Visual indicator shows Locked/Unlocked status
- New, higher-security lock cylinder
- Vertically and horizontally adjustable
- Indicator marks show if adjustment is required
- Meets all Australian and NZ Standards for pool gates
- Minimum post size: 25mm+
- Ideal gate gap: 19mm
- Fixing method: screw-on

