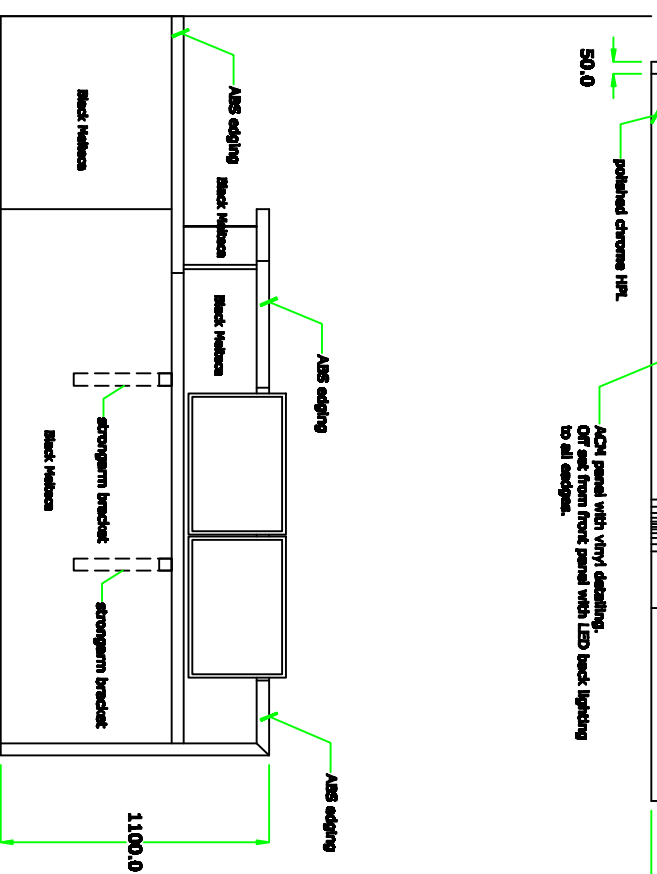
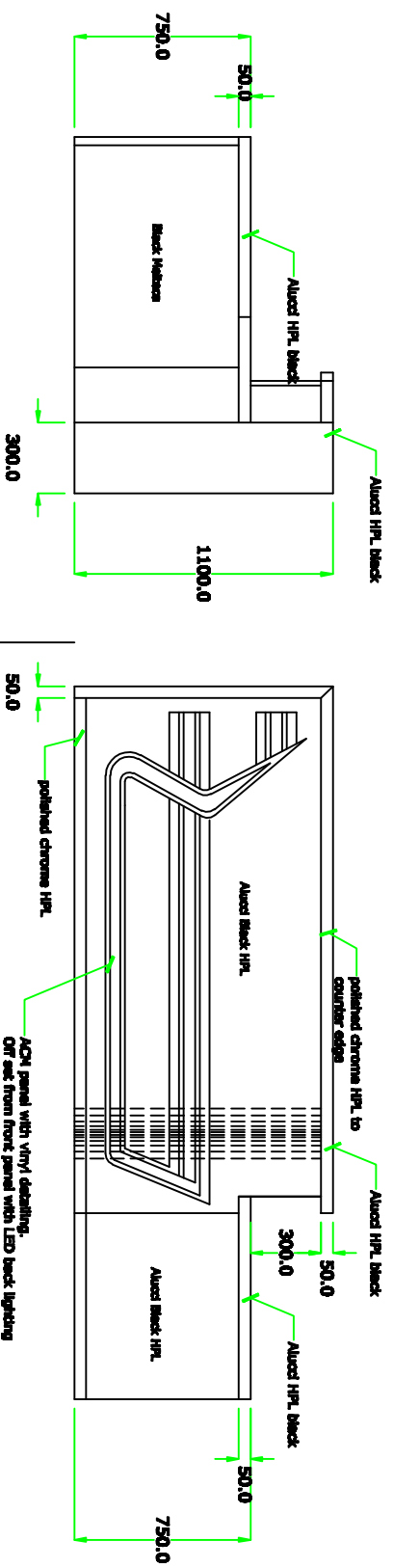
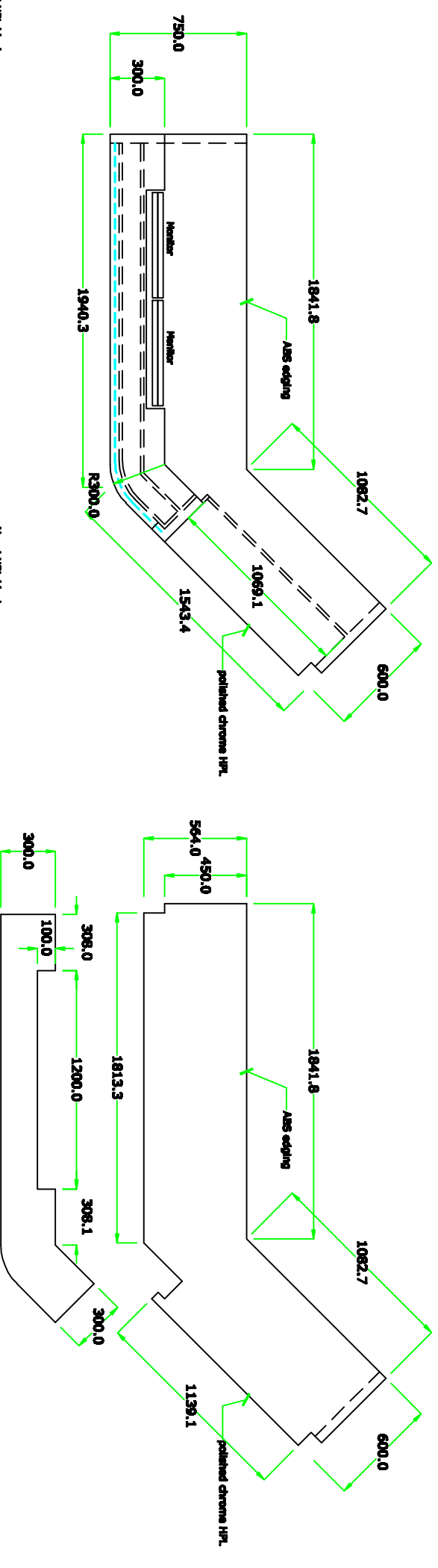


TWEAK I K A E W T



JOINERY SOLUTIONS

CLIENT NAME: BOOTHS TRANSPORT

DATE: 02/09/2022

AUTHOR: Vaughn Tongs

PROJECT DESCRIPTION: Proposed Drawing

New reception counter joinery

This drawing is the legal property of Tweak Joinery Solutions. All rights are reserved. No unlawful duplications of this document are permitted.