



URBANE II

BATHROOM COLLECTION



Inspired by the emerging fashion of modern **Australasia**, our Caroma Vogue Collection represents the best of Caroma's leadership in bathroom design and is sure to make a statement in any home.

Creating your own home has always been part of the **New Zealand** dream; the opportunity to design a unique space that both complements and elevates your individual style. The Caroma Vogue Collection will provide you the freedom to create your dream bathroom; one that enables an experience of personal luxury through customising key design elements and durable colour finishes.

The collection proudly represents fashionable styles, made from the highest quality materials and incorporates the latest in sustainable innovations.

“With its extensive range of considered and functional products, our **Urbane II** Collection has everything you need to create your perfect bathroom sanctuary. Combined with a palette of durable colour finishes, the collection can be tailored to suit your very own personal style.”



- Luke Di Michiel,
Caroma Industrial Designer



URBANE II

Created with *flexibility* in mind...

Our Caroma Urbane II collection sets a new benchmark in contemporary Australasian design. Combining refined thin-edge details and a considered design language this extensive bathroom collection includes tapware, showers, accessories, basins, baths and toilets.

Available in a beautiful and highly durable palette of 5 colour finishes, the collection can be tailored to suit a range of styles and tastes, making it our most customisable Caroma collection yet.

The collection features Caroma Easy-Switch, the universal in-wall body system that gives you ultimate flexibility.

The in-wall mixers have unique flexibility in that the trim kit, colour finish and design can all be interchanged pre or post installation - eliminating costly hold ups as well as allowing you to quickly and easily update the design, colour and style without costly rectification work. Trim kits are available in 5 colour finishes with 2 wall flange options - rectangular and round.



Caroma EasySwitch is the universal in-wall body system that fits every Urbane II and Liano II tapware product to give you the ultimate flexibility when choosing your bathroom fittings.

1 Select your universal in-wall body

IN-WALL BODIES



WALL BASIN/BATH MIXER
99635

BATH/SHOWER MIXER
99651

BATH/SHOWER MIXER WITH DIVERTER
99659

2 Select your trim kit & colour finish

TRIM KITS



WALL BASIN/BATH MIXER

BATH/SHOWER MIXER

BATH/SHOWER MIXER WITH DIVERTER

COLOUR FINISHES



PVD BRUSHED BRASS

PVD BRUSHED NICKEL

PVD GUNMETAL

ELECTROPLATED MATTE BLACK

CHROME

Did you know...

THAT THE URBANE II COLLECTION IS FULLY INTERCHANGEABLE WITH THE LIANO II TAPWARE COLLECTION?

These collections utilise the same universal in-wall body, allowing you to mix and match between collections, meaning even more customisation when it comes to personalising your bathroom.



BALANCED
*brushed
brass*





Create your *sanctuary*

PVD Brushed Brass



1 Urbane II 1800 Freestanding Bath AU8W



2 Invisi Series II® Round Dual Flush Plate & Buttons 237088BB



4 Urbane II Robe Hook 99621BB



5 Urbane II Freestanding Bath Filler 98611BB



3 Urbane Cleanflush® Invisi Series II® Wall Faced Toilet Suite 746280W



6 Urbane II Inset Basin 878200W



8 Urbane II Bath/Shower Mixer 99648BB

9 Urbane II Rail Shower with 300mm Overhead + Hand Shower 99630BB3A



10 Urbane II Toilet Roll Holder 99620BB



11 Urbane II Shelf 99619BB



7 Urbane II Mid Tower Basin Mixer 88620BB6A



12 Urbane II Double Towel Rail 99616BB



Create your *sanctuary*

PVD Gunmetal

- 

1 Urbane II Right Hand Shelf Wall Basin 1 Tap Hole **878710W**
- 

2 Urbane II Basin Mixer **98608GM6A**
- 

3 Urbane II 40mm Bottle Trap **687294GM**
- 

4 Urbane II 300mm Ceiling Shower Arm **99639GM**
- 

5 Urbane II Rain Shower - 200mm Square (4 Star) **99664GM4E**
- 

6 Urbane II Hand Shower **99633GM4E**
- 

7 Urbane II Bath/Shower mixer with Diverter (Rectangular Cover Plate) **99657GM**
- 

8 Urbane II Bathroom Shelf **99619GM**
- 

9 Urbane II Cleanflush® Invisi Series II® Wall Faced Suite **746280W**
- 

10 Urbane II Hand Towel Rail **996168GM**
- 

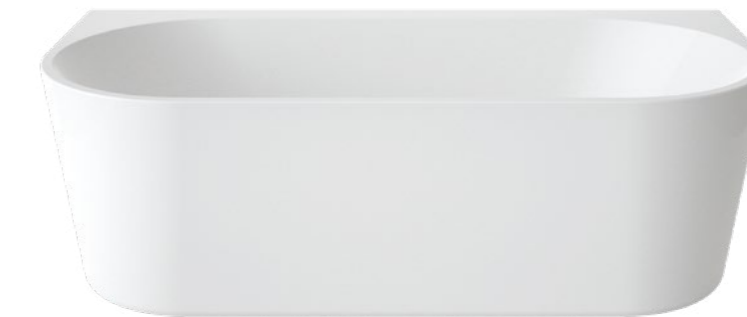
11 Invisi Series II® Round Dual Flush Plate & Buttons **237088GM**
- 

12 Urbane II Toilet Roll Holder **99620GM**



Create your *sanctuary*

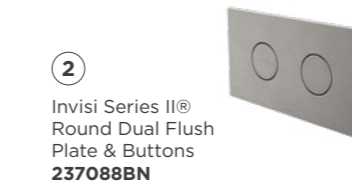
PVD Brushed Nickel



① Urbane II 1800 Back to Wall Freestanding Bath **AU8WFW**



⑦ Urbane II Compact Twin Shower **99632BN3A**



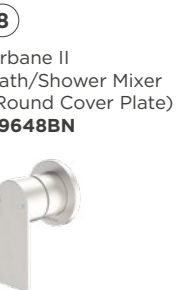
② Invisi Series II® Round Dual Flush Plate & Buttons **237088BN**



④ Urbane II 220mm Wall/Basin Bath Mixer (Round Cover Plate) **99641BN6A**



⑤ Urbane II 180mm Wall/Basin Bath Mixer (Round Cover Plate) **99631BN6A**



⑧ Urbane II Bath/Shower Mixer (Round Cover Plate) **99648BN**



③ Urbane II Cleanflush® Invisi Series II® Compact Wall Faced Toilet Suite **741520W**



⑥ Urbane II Above Counter Basin **878400W**



⑨ Urbane II Bathroom Shelf **99619BN**

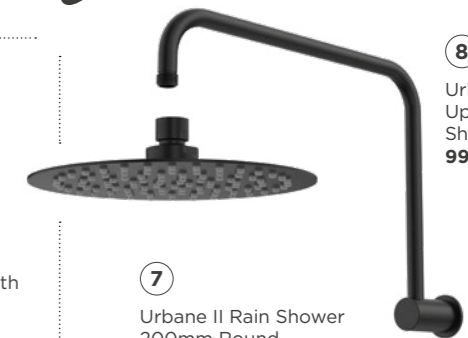


Create your *sanctuary*

Matte Black



① Urbane II 1800 Back to Wall Freestanding Bath **AU8WFW**



⑦ Urbane II Rain Shower 200mm Round **99663B4E**

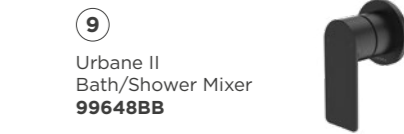
⑧ Urbane II 460mm Upswept Shower Arm **99642B**



② Invisi Series II® Round Dual Flush Plate & Buttons **237088B**



④ Urbane II 220mm Wall Basin/Bath Mixer (Round Cover Plate) **99641B6A**



⑨ Urbane II Bath/Shower Mixer **99648BB**



③ Urbane II Cleanflush® Invisi Series II® Wall Faced Toilet Suite **746280W**



⑤ Urbane II Semi Recessed Basin 1 Tap Hole **878910W**



⑩ Urbane II Bathroom Shelf **99619B**



⑥ Urbane II Basin Mixer **98608B6A**



⑪ Urbane II Single Towel Rail **99617B**

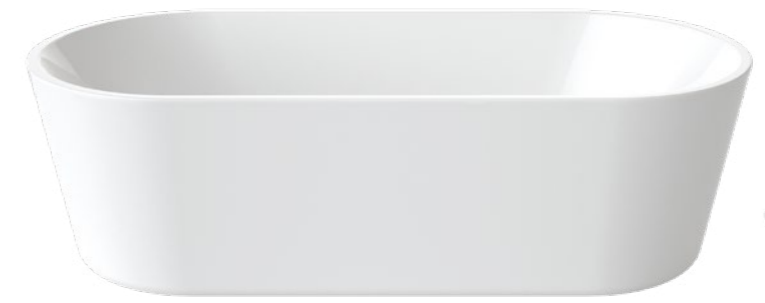


⑫ Urbane II Toilet Roll Holder **99620B**



Create your *sanctuary*

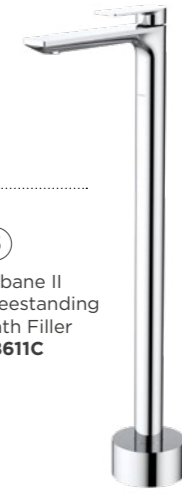
Chrome



①
Urbane II
Freestanding Bath
AU8W



⑦
Urbane II
Rail Shower
99631C4E



⑧
Urbane II Bath/Shower
Mixer with Diverter
(Round Cover Plate)
99656C



⑨
Urbane II 400mm Right
Angled Shower Arm
99641C



②
Urbane II
Cleanflush®
Wall Facing
Close Coupled
Toilet Suite
746350W



④
Urbane II - Tower
Basin Mixer
98609C6A



⑤
Urbane II
Freestanding
Bath Filler
98611C



⑥
Urbane II Above
Counter Basin
878400W



⑩
Urbane II Rain
Shower - 200mm
Round (4 Star)
99663C4E



③
Urbane II Double
Towel Rail
99616C

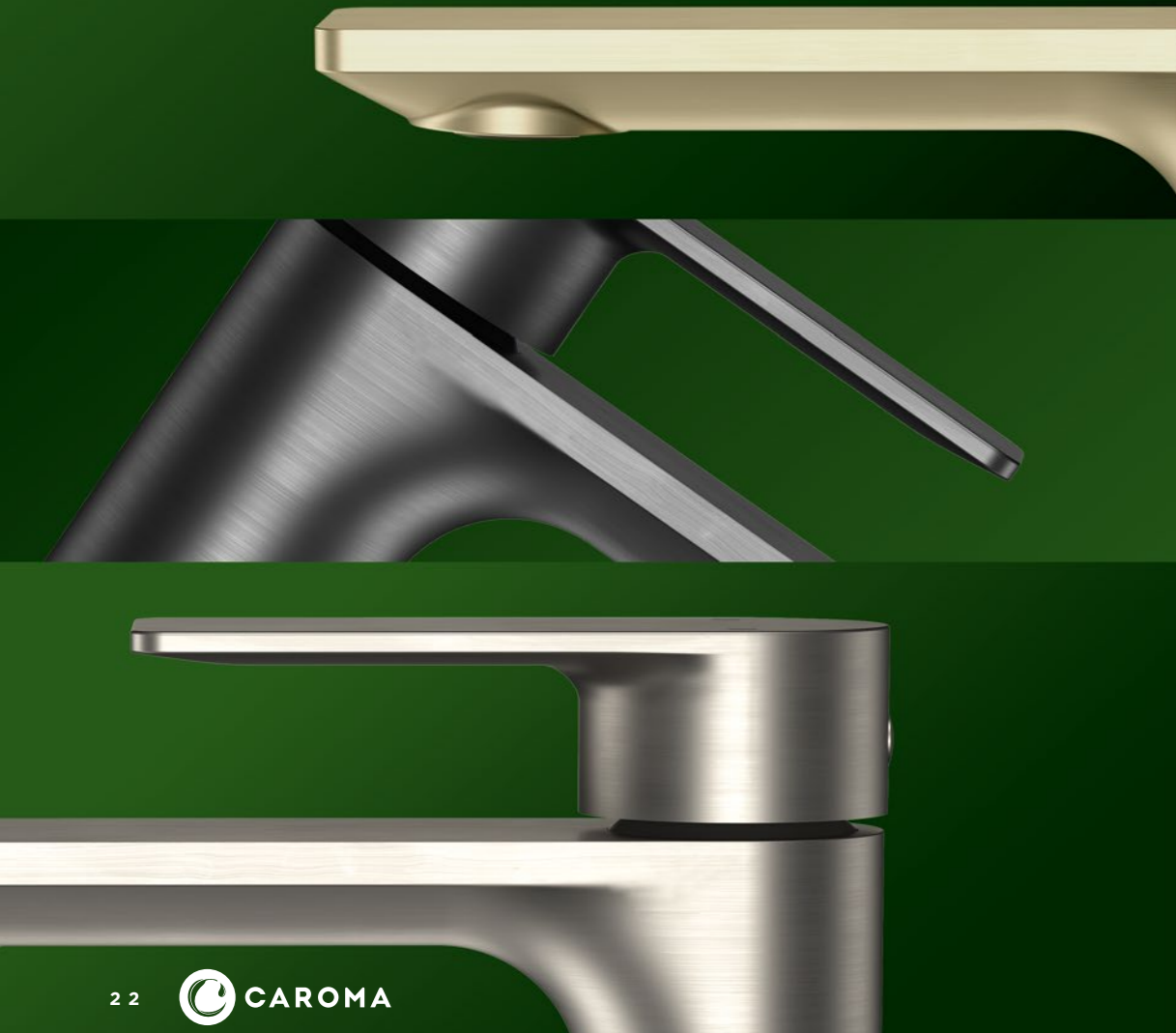


GALLANT
gunmetal

Premium PVD* Finish

Environmentally friendly, durable and hard wearing our premium PVD finish comes with a 5 year warranty.

Available across tapware, showers and accessories in brushed brass, brushed nickel and gunmetal finishes.







Tapware

Embracing a distinctly modern style, the Caroma Urbane II Tapware Collection is a combination of functional and design unity.

The universal in-wall bodies fit every Urbane II tap to give you the ultimate flexibility when choosing your bathroom fittings.

Product shown in the Brushed Brass finish, also available in:

-  Chrome
-  Matte Black
-  PVD Brushed Brass
-  PVD Gunmetal
-  PVD Brushed Nickel



*PVD stands for Physical Vapour Deposition, for more information visit caroma.com.au






Urbane II Basin Mixer

-  98608C6A
-  98608B6A
-  98608BB6A
-  98608GM6A
-  98608BN6A


WELS 6-star rated, 4.5L/min

Urbane II Mid Tower Basin Mixer

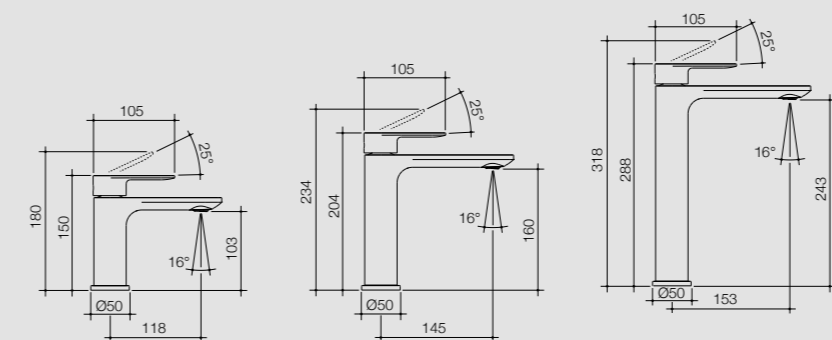
-  98620C6A
-  98620B6A
-  98620BB6A
-  98620GM6A
-  98620BN6A

WELS 6-star rated, 4.5L/min











Urbane II Tower Basin Mixer

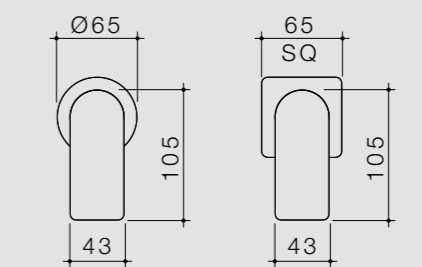
-  98609C6A
-  98609B6A
-  98609BB6A
-  98609GM6A
-  98609BN6A

WELS 6-star rated, 4.5L/min













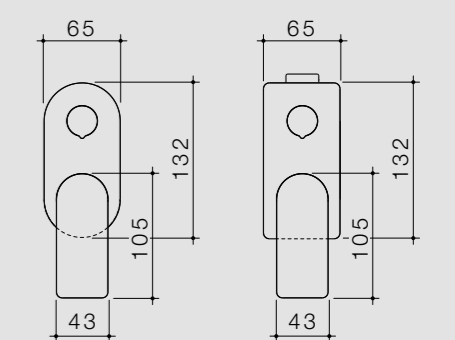
Urbane II Bath/Shower Mixer

- | | | |
|---------------|---|---|
| Round |  99648C |  99648B |
| |  99648BB |  99648GM |
| |  99648BN | |
| Square |  99649C |  99649B |
| |  99649BB |  99649GM |
| |  99649BN | |



Urbane II Bath/Shower Mixer with Diverter

- | | | |
|------------------|---|---|
| Round |  99656C |  99656B |
| |  99656BB |  99656GM |
| |  99656BN | |
| Rectangle |  99657C |  99657B |
| |  99657BB |  99657GM |
| |  99657BN | |

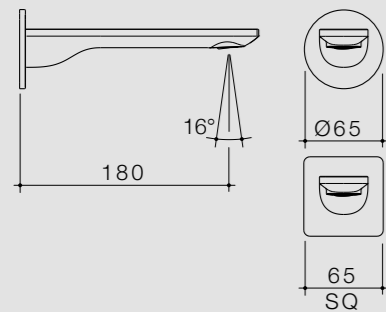




**Urbane II Basin/Bath Outlet
180mm**

- Round**
- 99665C6A ● 99665B6A
 - 99665BB6A ● 99665GM6A
 - 99665BN6A
- Square**
- 99666C6A ● 99666B6A
 - 99666BB6A ● 99666GM6A
 - 99666BN6A

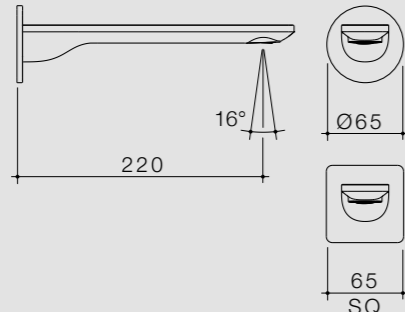
WELS 6-star rated,
4.5L/min



**Urbane II Basin/Bath Outlet
220mm**

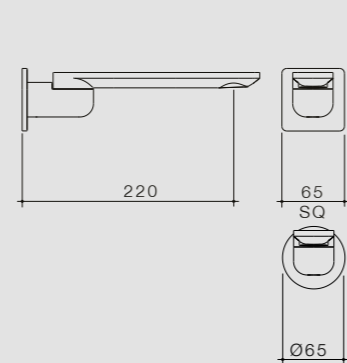
- Round**
- 99667C6A ● 99667B6A
 - 99667BB6A ● 99667GM6A
 - 99667BN6A
- Square**
- 99668C6A ● 99668B6A
 - 99668BB6A ● 99668GM6A
 - 99668BN6A

WELS 6-star rated,
4.5L/min



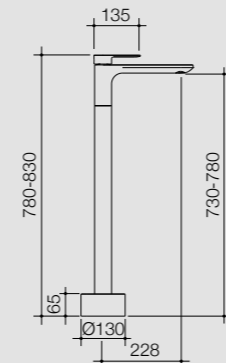
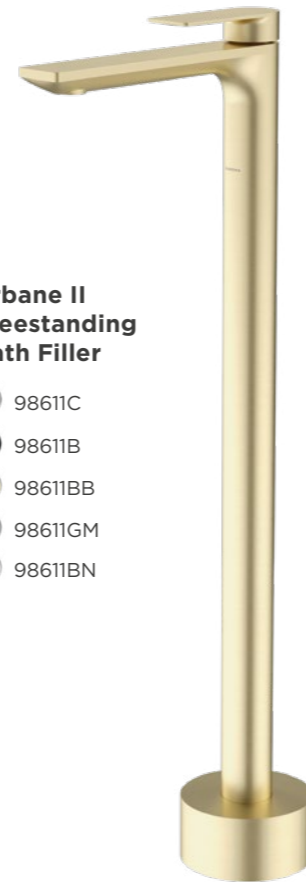
**Urbane II Bath Swivel Outlet
220mm**

- Round**
- 99669C ● 99669B
 - 99669BB ● 99669GM
 - 99669BN
- Square**
- 99670C ● 99670B
 - 99670BB ● 99670GM
 - 99670BN



**Urbane II
Freestanding
Bath Filler**

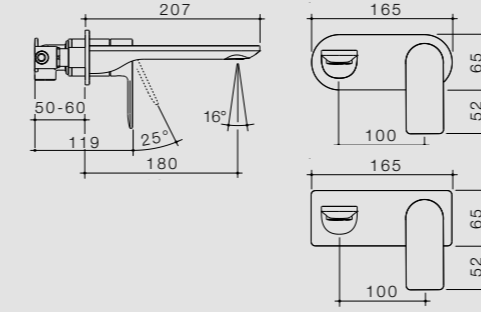
- 98611C
- 98611B
- 98611BB
- 98611GM
- 98611BN



**Urbane II 180mm
Wall Basin / Bath Mixer**

- Round**
- 99631C6A ● 99631B6A
 - 99631BB6A ● 99631GM6A
 - 99631BN6A
- Rectangle**
- 99632C6A ● 99632B6A
 - 99632BB6A ● 99632GM6A
 - 99632BN6A

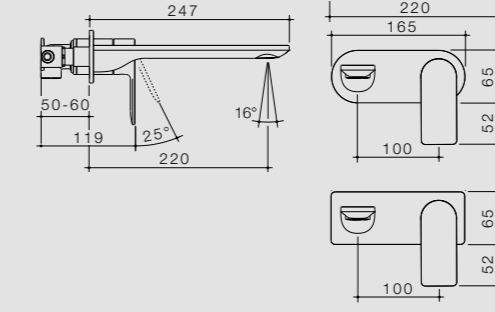
WELS 6-star rated,
4.5L/min



**Urbane II 220mm
Wall Basin / Bath Mixer**

- Round**
- 99641C6A ● 99641B6A
 - 99641BB6A ● 99641GM6A
 - 99641BN6A
- Rectangle**
- 99642C6A ● 99642B6A
 - 99642BB6A ● 99642GM6A
 - 99642BN6A

WELS 6-star rated,
4.5L/min



NUANCE
brushed nickel



V-Jet® Technology

Our unique V-Jet® technology delivers a shower experience that puts you in control. Seamlessly transition from a firm invigorating spray to a gentle mist... and everything in between.








Showers

Your shower is one of the most important features of your bathroom and the slim, sleek design of Urbane II showers is perfect for an effortless modern design.

Choosing the right type of shower for your family will ensure a luxurious showering experience every time.






Premium quality flow regulators will deliver a consistent flow of water under a range of water pressures and the smooth, silverflex shower hose means durability and easy cleaning.

Product shown in the PVD Brushed Nickel finish, also available in:

-  Chrome
-  Matte Black
-  PVD Brushed Brass
-  PVD Gunmetal
-  PVD Brushed Nickel








Urbane II Rail Shower with 300mm Overhead

-  99630C3A
-  99630B3A
-  99630BB3A
-  99630GM3A
-  99630BN3A

WELS 3 (Range D) rated, 9L/min



Urbane II Compact Twin Shower with 300mm Overhead

-  99632C3A
-  99632B3A
-  99632BB3A
-  99632GM3A
-  99632BN3A

WELS 3 (Range D) rated, 9L/min







Urbane II Rail Shower

-  99631C4E
-  99631B4E
-  99631BB4E
-  99631GM4E
-  99631BN4E

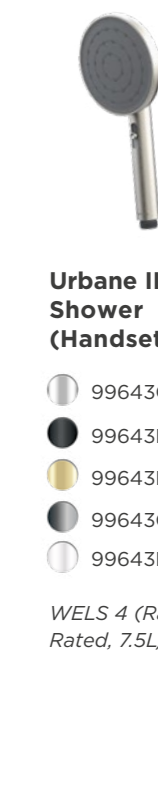
WELS 4 (Range E) Rated, 7.5L/min








Urbane II Hand Shower

-  99633C4E
-  99633B4E
-  99633BB4E
-  99633GM4E
-  99633BN4E

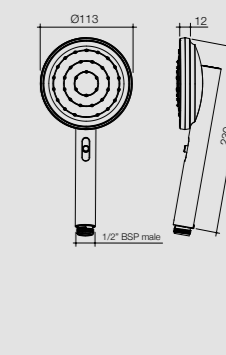
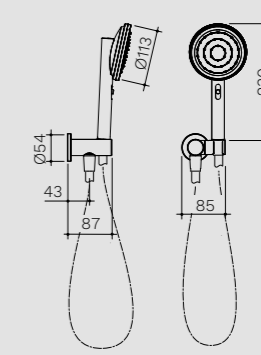
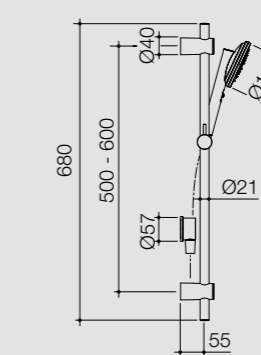
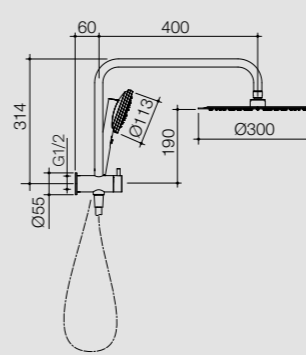
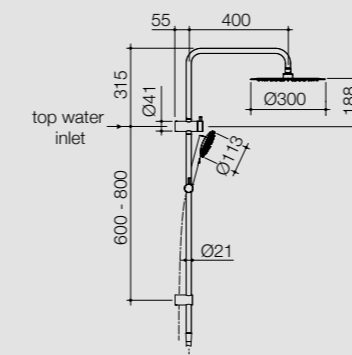
WELS 4 (Range E) Rated, 7.5L/min



Urbane II Hand Shower (Handset Only)

-  99643C4E
-  99643B4E
-  99643BB4E
-  99643GM4E
-  99643BN4E

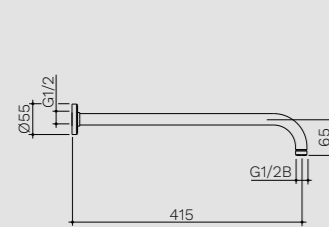
WELS 4 (Range E) Rated, 7.5L/min





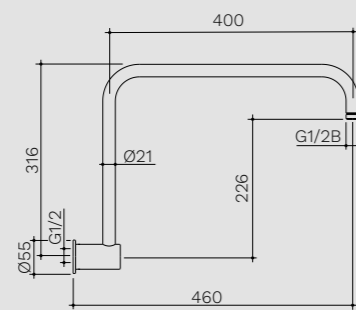
**Urbane II
Right Angled Shower Arm
400mm**

- 99641C
- 99641B
- 99641BB
- 99641GM
- 99641BN



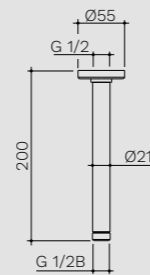
**Urbane II
Upswept Shower Arm
460mm**

- 99642C
- 99642B
- 99642BB
- 99642GM
- 99642BN



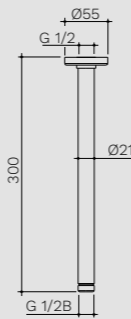
**Urbane II
Ceiling Arm
200mm**

- 99658C
- 99658B
- 99658BB
- 99658GM
- 99658BN



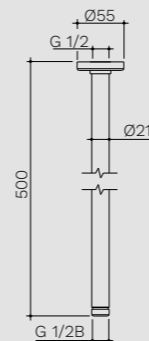
**Urbane II
Ceiling Arm
300mm**

- 99639C
- 99639B
- 99639BB
- 99639GM
- 99639BN



**Urbane II
Ceiling Arm
500mm**

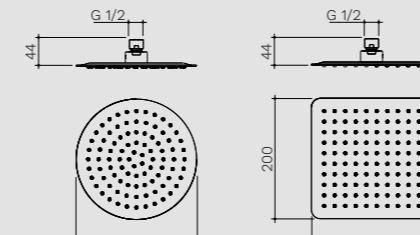
- 99640C
- 99640B
- 99640BB
- 99640GM
- 99640BN



**Urbane II
Rain Shower 200mm**

- | | | |
|---------------|-------------|-------------|
| Round | ● 99663C4E | ● 99663B4E |
| | ● 99663BB4E | ● 99663GM4E |
| | ● 99663BN4E | |
| Square | ● 99664C4E | ● 99664B4E |
| | ● 99664BB4E | ● 99664GM4E |
| | ● 99664BN4E | |

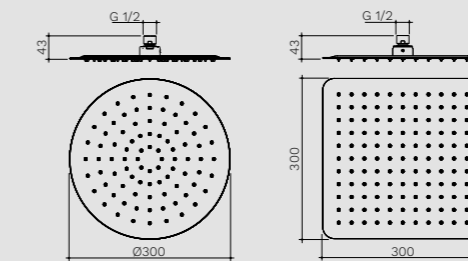
WELS 4 (Range D)
rated, 7.5L/min



**Urbane II
Rain Shower 300mm**

- | | | |
|---------------|-------------|-------------|
| Round | ● 99634C3A | ● 99634B3A |
| | ● 99634BB3A | ● 99634GM3A |
| | ● 99634BN3A | |
| Square | ● 99655C3A | ● 99655B3A |
| | ● 99655BB3A | ● 99655GM3A |
| | ● 99655BN3A | |

WELS 3 (Range D)
rated, 9L/min





CREATIVE
chrome



Accessories

Complete your bathroom with our range of Urbane II bathroom accessories. The contemporary design and thin-edge details will complement the rest of your choices from the collection.

Metal construction ensures durability while dual fixings provide added strength.

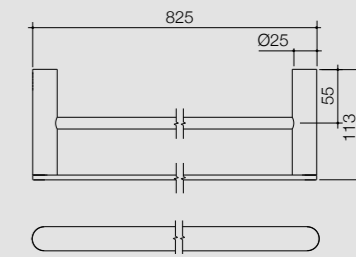
Product shown in the PVD Gunmetal finish, also available in:

- Chrome
- Matte Black
- PVD Brushed Brass
- PVD Gunmetal
- PVD Brushed Nickel
- Stainless Steel (in Toilet Seat Hinge Caps only)
- White* (in Bottle Traps only)



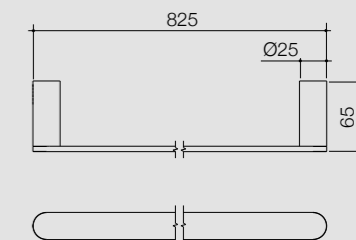
Urbane II Double Towel Rail

- 99616C
- 99616B
- 99616BB
- 99616GM
- 99616BN



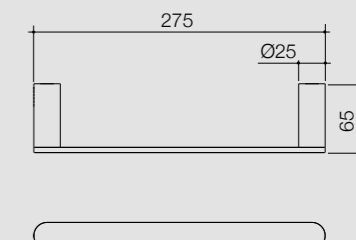
Urbane II Single Towel Rail

- 99617C
- 99617B
- 99617BB
- 99617GM
- 99617BN



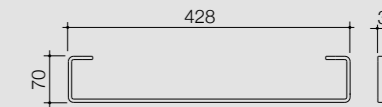
Urbane II Hand Towel Rail

- 99618C
- 99618B
- 99618BB
- 99618GM
- 99618BN



Urbane II Hand Wall Basin Integrated Rail

- 99623C
- 99623B
- 99623BB
- 99623GM
- 99623BN

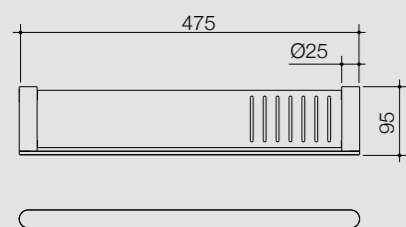


*Rail only, basin and mixer sold separately



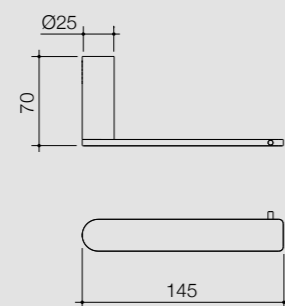
**Urbane II
Bathroom Shelf**

- 99619C
- 99619B
- 99619BB
- 99619GM
- 99619BN



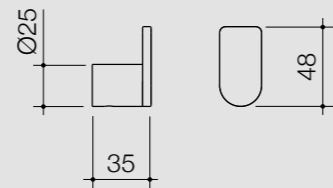
**Urbane II
Toilet Roll Holder**

- 99620C
- 99620B
- 99620BB
- 99620GM
- 99620BN



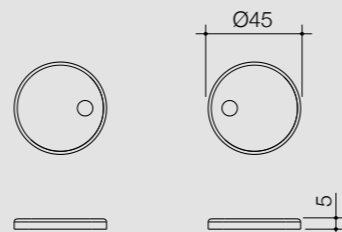
**Urbane II
Robe Hook**

- 99621C
- 99621B
- 99621BB
- 99621GM
- 99621BN



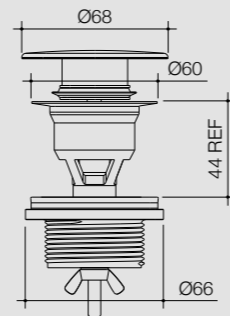
**Vogue
Toilet Seat Hinge Cap**

- 254213B
- 254213BB
- 254213GM
- 254213SS (Stainless Steel)



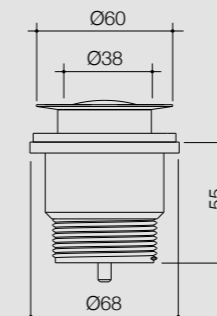
**Basin Dome
Pop-Up Plug & Waste**

- 687330C
- 687330B
- 687330BB
- 687330GM
- 687330BN



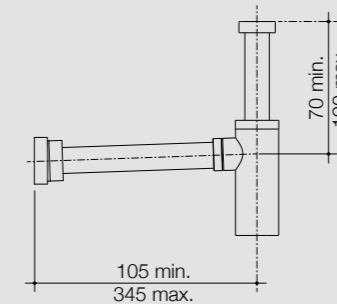
**Bath Pop-Up
Plug & Waste**

- 323060C
- 323060B
- 323060BB
- 323060GM
- 323060BN



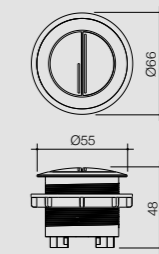
**Vogue 40mm
Bottle Trap**

- 687295C
- 687294B
- 687294BB
- 687294GM
- 687294BN
- 687294W



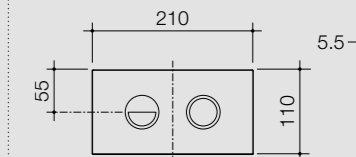
**Urbane II Wall Faced
Close Coupled
Flush Button**

- 687071C
- 687071B
- 687071BB
- 687071GM
- 687071BN



**Invisi Series II®
Round Dual Flush
Plate & Buttons**

- 237088C
- 237088B
- 237088BB
- 237088GM
- 237088BN



MODERN

matte black





Basins

Our Urbane II Collection basins feature a contemporary thin-rim design to make a fashionable statement in any modern bathroom.

Urbane II basins include an integrated ceramic pop-up plug and waste which sits flush with basin when open. Optional pop-up plug & waste also available in Chrome, Matte Black, Brushed Nickel, Brushed Brass and Gunmetal.



**Urbane II
Wall Basin - 0 Tap Hole
(Right Hand Shelf)**

878700W

9.5L Volume Capacity



**Urbane II
Wall Basin - 1 Tap Hole
(Right Hand Shelf)**

878710W

9.5L Volume Capacity



**Urbane II
Wall Basin - 0 Tap Hole
(Left Hand Shelf)**

878800W

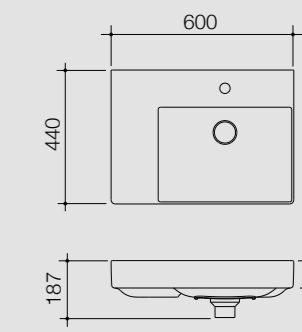
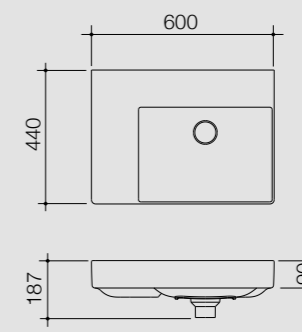
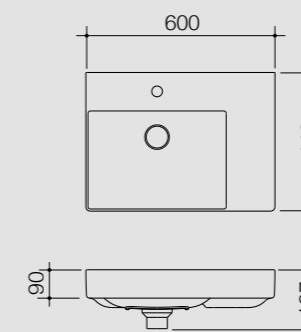
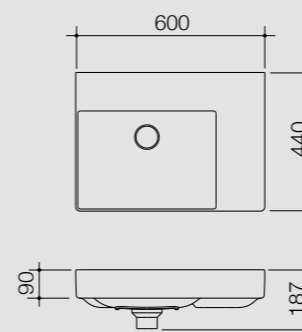
9.5L Volume Capacity



**Urbane II
Wall Basin - 1 Tap Hole
(Left Hand Shelf)**

878810W

9.5L Volume Capacity





**Urbane II
Inset Basin
No Tap Landing**

878200W

10.9L Volume Capacity



**Urbane II
Inset Basin
0 Tap Hole**

878300W

8.1L Volume Capacity



**Urbane II
Inset Basin
1 Tap Hole**

878310W

8.1L Volume Capacity



**Urbane II
Above Counter Basin
No Tap Landing**

878400W

10.9L Volume Capacity



**Urbane II
Under Counter Basin
0 Tap Hole**

878500W

9.9L Volume Capacity



**Urbane II
Hand Wall Basin
1 Tap Hole**

879010W

5.6L Volume Capacity



**Urbane II
Wall Basin
0 Tap Hole**

878600W

9.7L Volume Capacity



**Urbane II
Wall Basin
1 Tap Hole**

878610W

9.7L Volume Capacity



**Urbane II Semi
Recessed Basin
0 Tap Hole**

878900W

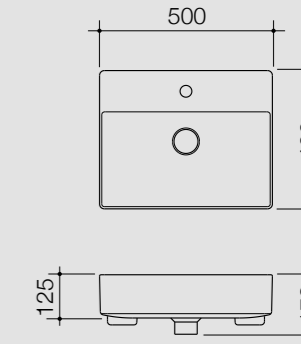
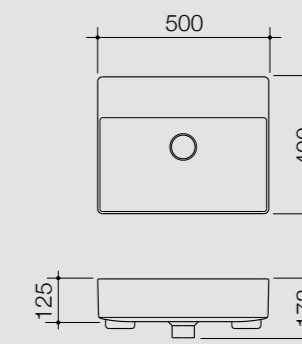
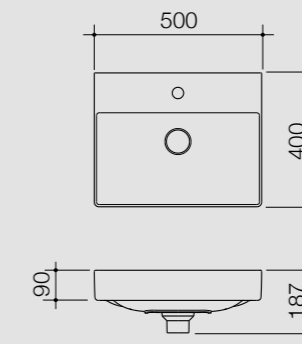
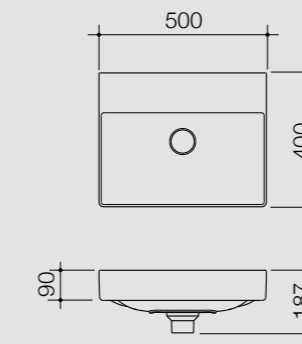
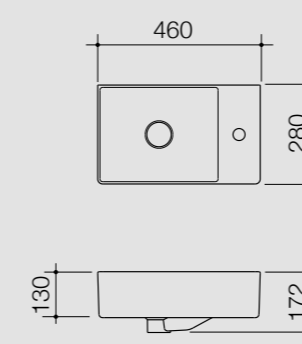
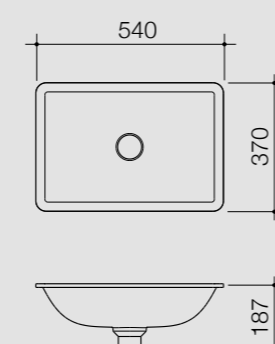
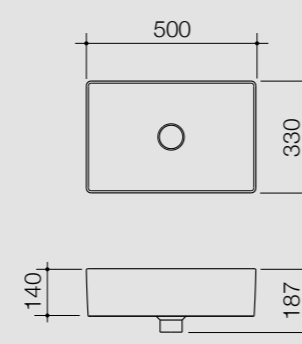
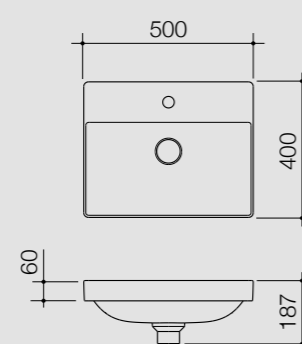
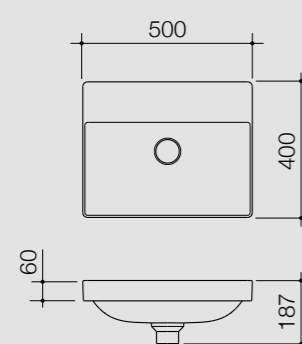
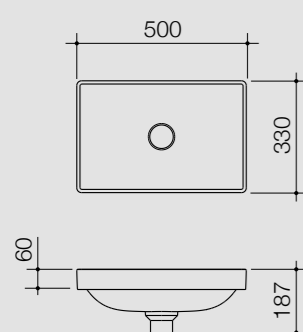
8.1L Volume Capacity



**Urbane II Semi
Recessed Basin
1 Tap Hole**

878910W

8.1L Volume Capacity





Baths

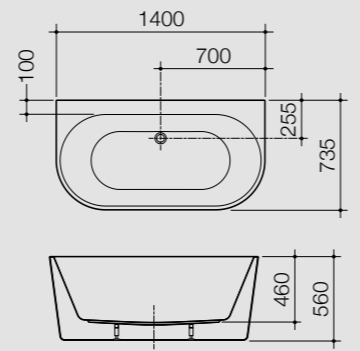
Our Urbane II baths feature a seamless, thin-rim design, complete with an offset waste for a comfortable bathing experience.

Available in a luxurious free-standing or practical space saving back-to-wall style. Baths are available in a range of sizes to fit your bathroom needs.



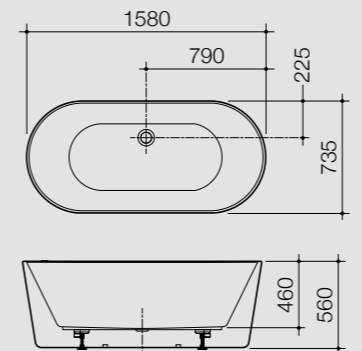
**Urbane II
1400 Back to Wall
Freestanding Bath**

AU4WFW



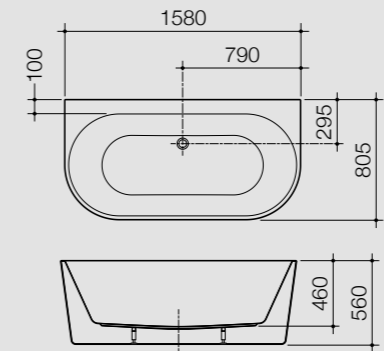
**Urbane II
1600
Freestanding Bath**

AU6W



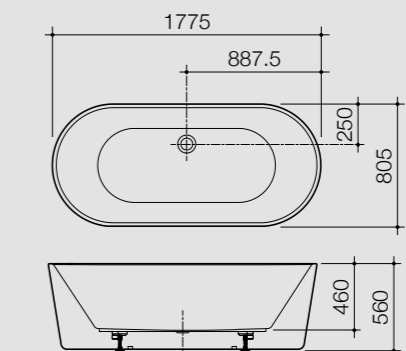
**Urbane II
1600 Back to Wall
Freestanding Bath**

AU6WFW
AU6WFWOF (with Overflow)



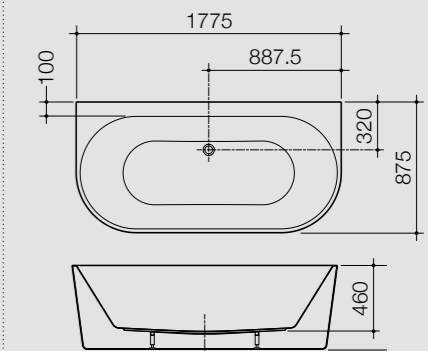
**Urbane II
1800
Freestanding Bath**

AU8W



**Urbane II
1800 Back to Wall
Freestanding Bath**

AU8WFW





NEW

**KILLS
99.9%
GERMS**



GermGard® protection is a unique antimicrobial formula which kills harmful bacteria. This technology not only helps prevent the spread of nasty germs, it makes cleaning easier.

Now available on our Urbane II toilet seats.

Toilets

Our Urbane II Collection of toilets have a contemporary low-profile design to match the Urbane II basins, baths, showers and tapware.

Urbane II toilets feature Cleanflush® technology, our most effective and hygienic toilet. Our patented design features revolutionary rimless technology that delivers the next generation of toilets; easy to clean and water efficient with superior hygiene.

In addition, toilets have added GermGard® antimicrobial protection and have the option of coloured seat hinge caps for a consistent look across your bathroom.



Vogue Soft Close Quick Release Toilet Seat (Blind Fixing)

300065W

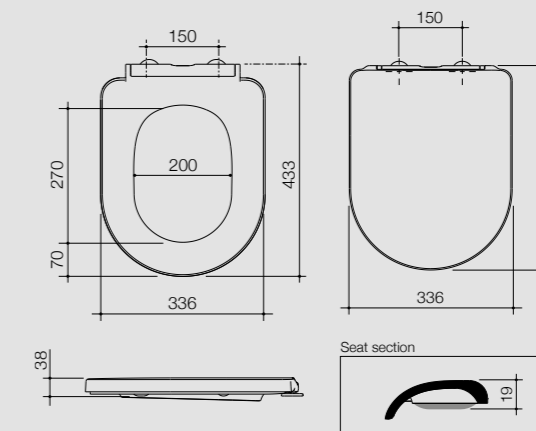


Urbane II Close Coupled Cistern

810878W - Back Entry
810879W - Bottom Inlet

WELS 4 Rated, 4.5/3
(3.5L average flush)

To achieve WELS 4 star rating these cisterns should be installed with the Urbane II WFCC Pans

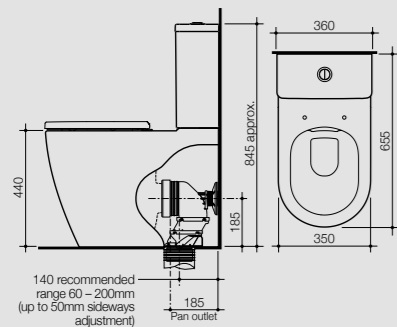




Urbane II CleanFlush® Wall Faced Close Coupled Toilet Suite (with Vogue Quick Release Soft Close Toilet Seat)

746350W UniTrap, BE, QR SC Seat
746250W UniTrap, BI, QR SC Seat

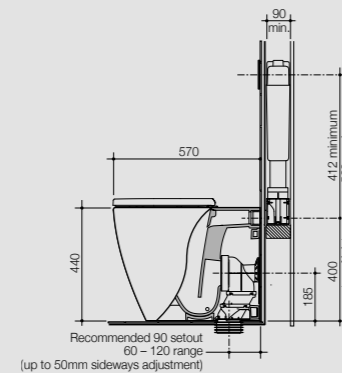
WELS 4 Rated, 4.5/3
(3.5L average flush)



Urbane II CleanFlush® Invisi Series II® Wall Faced Toilet Suite (with Vogue Quick Release Soft Close Toilet Seat)

746280W

WELS 4 Rated, 4.5/3
(3.5L average flush)

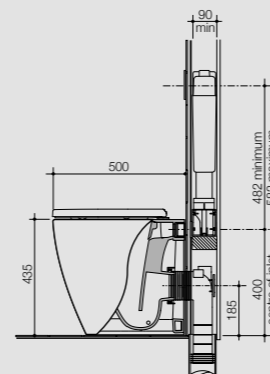


Urbane II CleanFlush® Invisi Series II® Compact Wall Faced Toilet Suite (with Vogue Quick Release Soft Close Toilet Seat)

741520W

WELS 4 Rated, 4.5/3
(3.5L average flush)

AVAILABLE FROM MARCH 2021

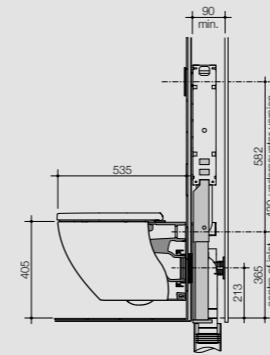


Urbane II CleanFlush® Invisi Series II® Wall Hung Toilet Suite (with Vogue Quick Release Soft Close Toilet Seat)

ID, IC, IW: 740860W, UC: 740870W, SBW: 740880W

WELS 4 Rated, 4.5/3
(3.5L average flush)

AVAILABLE FROM MARCH 2021



Revolutionary Rimless Flush Technology

Our patented design features revolutionary rimless technology, the next generation of toilets:

- easy to clean
- water efficient
- superior hygiene



FLOW SPLITTER
Powerful flush for whole bowl clean



FLOW BALANCER
Precise flush stream effectively clears the bowl



FLOW CHANNELS
Controlled water flow eliminates splash back



With over 75 years of experience, we believe quality bathrooms are a balance of form, function and looks. Our designs and innovation bring to life a guiding vision of creating sustainable luxury. Design that enables you to enjoy bathroom experiences that both complement and elevate your lifestyle, from an energising morning start to an indulgent, relaxing moment of luxury, all underpinned by sustainability.

Designing for Australians and New Zealanders, from all walks of life, with different tastes and needs; we have a wide range of classic to artisanal styles, smart designs and sustainable innovations providing you with everything you need to create the *sanctuary of your dreams.*

www.caroma.com.au | www.caroma.co.nz

© Copyright 2019. Caroma Industries Ltd. ABN 35 000 189 499. All rights reserved. Material and design specifications subject to change without notice. Product colour reproduction is as near to actual product colour as production methods allow. Warning: Products in this brochure are the subject of registered designs and patents. ® is a registered trademark of Caroma Industries. This brochure relates to Australian products only and some product, design or specifications may differ in other countries.