

2022/2023 Product Catalogue

First Edition





Contents

About Clevertronics 4-9

Key Product Selection Criteria 10-11

Ranges 12-17

Trade Series 12

LP Premium 12

L10 Nanophosphate® 14

Testing & Monitoring Systems 18-36

Clevertest Plus System 20

Zoneworks® XT HIVE 24

DALI 36

Case Studies 38-43

Clevertest Plus System 38

Zoneworks® XT HIVE 40

L10 Nanophosphate® 42

Products 44-173

Exits 44

Dynamic Exit Signage 78

Emergency Lighting 88

Circulars & Bulkheads 120

Battens 130

Temporary 182

Spacing Tables 194-211

Emergency Modes of Operation 212

Chemical Resistance Table 213

Cleverfacts 214-216



Our Vision

To be known as the most reliable and trusted emergency lighting company in the world.

Our Mission

To make emergency lighting easy by designing world-class products that are supported with unrivalled expertise and customer service.



Clevertronics is an Australian emergency lighting specialist that operates across Australia, New Zealand and the United Kingdom.



We make Emergency Lighting easy.

Our mission to make emergency lighting easy continues to drive us to develop the best outcome for all stakeholders. With our dedicated research and development teams, Clevertronics is positioned to continue its leadership position in emergency lighting solutions.



Whether you're a specifier, facility manager, end user, or electrical contractor, our goal is to ensure that we understand your needs and assist you in delivering the outcomes you're after.

Clevertronics has built a global reputation for our innovation and leadership in emergency lighting over the past twenty years. Our recent release of the latest Zoneworks XT HIVE system is a major game changer, simplifying every step of the emergency lighting process and, most importantly, reducing the total cost of compliance.

However, what I am most proud of is the culture of customer care that exists throughout the entire company. Our customers remain our main priority, and our goal is to deliver you the highest level of product quality, service and support.

We look forward to sharing our continued success with you.

A handwritten signature in black ink that reads "Tony. Todaro". The signature is written in a cursive, slightly stylized font.

Tony Todaro
Managing Director and Owner

We are the home of Emergency Lighting

Clevertronics is an Australian emergency lighting specialist that operates across Australia, New Zealand and the United Kingdom. Our head office located in Melbourne features state-of-the-art product development and manufacturing to support the continuing growth of the business.



We Embrace and Lead Innovation

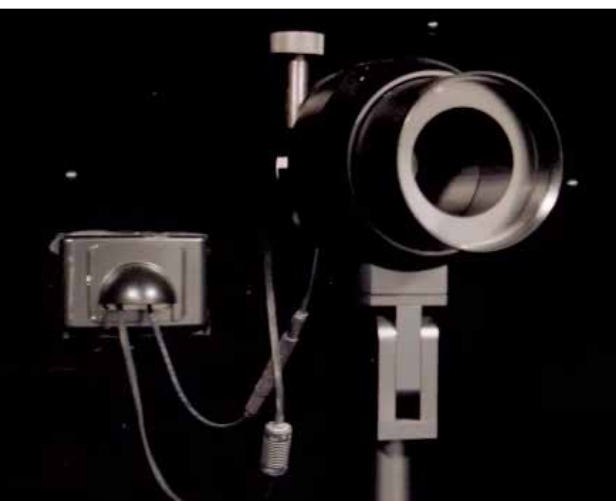
Innovation features in many parts of our business, including luminaire design and functionality, world-class monitoring systems, and also how we support customers to learn, source, install and manage emergency lighting. One of the key innovations that revolutionised the emergency lighting market was the release of our L10 Lithium Nanophosphate range. Traditional emergency lighting maintenance costs have been expensive to manage due to poor battery life, resulting in non-compliance.

However, the introduction of the L10 Nanophosphate range increased luminaire lifetimes from four years to twelve years, resulting in over 80% maintenance savings compared to the available alternatives and a massive improvement in building compliance.

Our Systems

Managing the compliance of emergency lighting is critical and to do this effectively Clevertronics developed a world-leading automatic monitoring and testing system in Zoneworks XT HIVE.

The Zoneworks platform is installed and operational across 2500 sites around Australia, New Zealand and the UK. All Zoneworks systems are backed by a complimentary Advantage Lifetime Support program designed to help the building owner and maintenance contractor manage ongoing emergency lighting and associated costs.



Our Unique Capabilities

We design, prototype and test all our luminaires and systems from our new state-of-the-art head office in Melbourne, Australia. Our research and product development area consists of photometric laboratories, thermal testing chambers and long-term elevated temperature test rooms which assist us in releasing product to market in a fast and effective manner. We have manufacturing capabilities in Melbourne and Shanghai, catering to high volume and specialised requirements.

Our Expertise

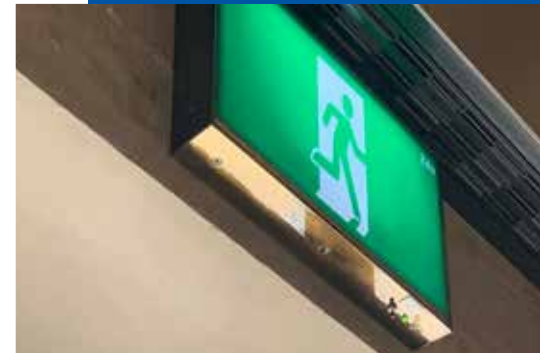
Our extensive expertise in understanding emergency lighting standards and application requirements has resulted in 1000's of specialised luminaires being designed and manufactured for installation in projects like tunnels, heritage buildings, places of interest, harsh environments, stadia, rail infrastructure and many other applications. If you have a challenging application, we will be excited to create a solution for you.

Our Projects

Clevertronics has supported our customers in the process of installing and upgrading emergency and exit lighting in thousands of small, medium and large sized facilities across Australia and New Zealand. All projects are given the support they require no matter what size. Customer satisfaction is of utmost importance to the Clevertronics team.

We are proud to be installed in many landmark facilities in Australia including the Sydney Opera House, Melbourne Cricket Ground and Optus Stadium, as well as major hospitals, shopping centres, universities, correctional facilities and high-rise developments.

When you are installing or upgrading emergency lighting, you want the process to be easy, and Clevertronics delivers on this every time.



Our Emergency Lighting Solutions

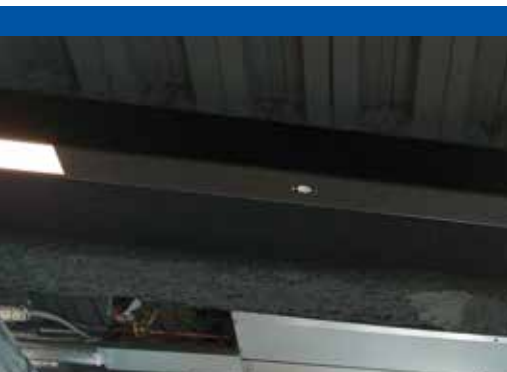
Clevertronics have a wide range of exit, emergency, circular, bulkheads and battens to satisfy various applications and industries. Whether you require architectural, weatherproof, low temperature, or a custom luminaire for a specific requirement, we are here to support you. All our luminaires are tested and comply with AS/NZS2293 standards.

The Clevertronics Project Advantage

Many projects require custom designed product, finishes or specific performance requirements. Our team of product and system engineers lead the emergency lighting world in many areas and are ready to apply that expertise to your project.

Experts in Engineering a Solution

Clevertronics has in-house thermal and photometric testing facilities which enables us to test and evaluate custom products and retro-fit conversions prior to any formal certification. Clevertronics can manage the official testing and approval process for third party fit-outs if required.



Comprehensive Range

Our full product offering is extensive. We have three dedicated ranges, Trade Series, LP and L10 spanning all emergency, exit and batten luminaires. All LP & L10 ranges are available with testing options including Clevertest Plus, Zoneworks XT HIVE, and DALI. This is supplemented by the ability to build custom project specific fittings and conversion of 3rd party fittings where required.



Geographical Coverage

Our offices in Melbourne, Sydney, Brisbane, Adelaide, Perth, Auckland and Christchurch have dedicated customer service and technical resources ready to support you on your next emergency lighting project or enquiry.



1

Select Your Range

- Trade Series
- LP
- L10

2

Select Test Option

- DALI
- ClevertestPlus System
- Zoneworks XT HIVE

3

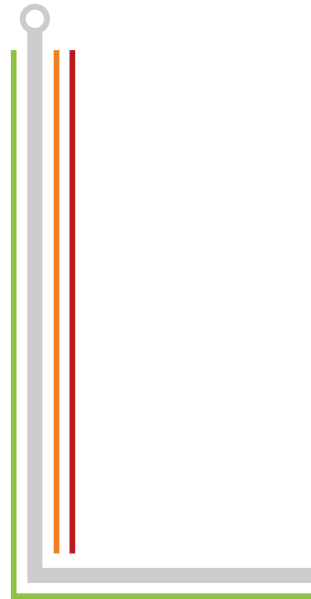
Select Type & Style

- Exits
- Dynamic Exit Signage
- Emergency Lighting
- Circular & Bulkheads
- Battens
- Temporary

TRADE

S E R I E S

THE TRADIES CHOICE



Temporary

Exits

Temporary
24V Temporary

Battens

24V Temporary Weatherproof
Temporary Weatherproof

Key Product Selection Criteria

LP LITHIUM IRON PHOSPHATE

PREMIUM

PREMIUM PROJECT PERFORMANCE

L10 LITHIUM NANOPHOSPHATE®

OPTIMUM

NOTHING ELSE COMPETES WITH NANOPHOSPHATE®



Exits

- Spirit
- Cleverfit
- Clevertest Pro
- Swingblade
- Ultrablade Pro Surface Mount
- Ultrablade Pro Recessed
- Ultrablade Pro Rod Suspended
- Boxlite
- Jumbo
- Gigantor
- Weatherproof Wall Mount
- Weatherproof Universal
- Weatherproof Universal 40M
- Low Temperature
- Vandal Resistant

Dynamic Exit Signage

- Dynamic Green
- Dynamic Red X
- Dynamic Green Blade
- Dynamic Red X Blade

Emergency Lighting

- Lifelight
- Lifelight Surface Mount
- Lifelight IP44 Splashproof
- Lifelight Surface Mount Weatherproof
- Lifelight Pro Recessed
- Lifelight Pro Surface Mount
- Lifelight Pro Cylinder Surface Mount
- Lifelight Pro Weatherproof Cylinder
- Lifelight Pro IP44 Splashproof
- Lifelight Pro Surface Mount
- Weatherproof
- Low Temperature
- Weatherproof Emergency Pod
- Supalite

Circular & Bulkheads

- Argonaut Square
- Circlite
- Premium Circlite
- Bunkalite

Battens

- Weatherproof**
- ARGO
- Argonaut Plus
- Argonaut Pro
- Argonaut Vandal Resistant
- Indoor & Wireguard**
- EPIC
- Odyssey Diffused
- Odyssey Wireguard
- Bare Emergency
- Bare Emergency Twin Lifelight Pro

Selecting the Right Lithium Powered Product

There are many types of batteries used in emergency lighting and it is important to understand the strengths and weaknesses of each battery chemistry to ensure you can get maximum value from your product.

Older battery technology such as Sealed Lead Acid, Nickel Metal Hydride and Nickel Cadmium provide inferior performance and carry significant environmental impacts compared to Lithium Iron Phosphate (LiFePO₄) batteries.

TRADE

S E R I E S

THE TRADIES CHOICE

- Perfect for lower cost projects
- Largest economy range on the market

The Clevertronics Trade Series lithium range has been designed to provide our lowest upfront cost to installers of exit and emergency lighting and includes lithium batteries for increased performance and lower maintenance costs when compared to NiCd & NiMH fittings.

*Compared to Clevertronics NiCd range

LP LITHIUM IRON PHOSPHATE

PREMIUM

PREMIUM PROJECT PERFORMANCE

- Australia's No1 selling emergency lighting range
- Over 50% maintenance savings vs NiCd
- Standard Clevertest Plus

The LP range is the proven project performer that combines Lithium Iron Phosphate battery technology with premium electronics and LED technology.

Available with Zoneworks® and DALI® testing options.

L10 LITHIUM NANOPHOSPHATE®

OPTIMUM

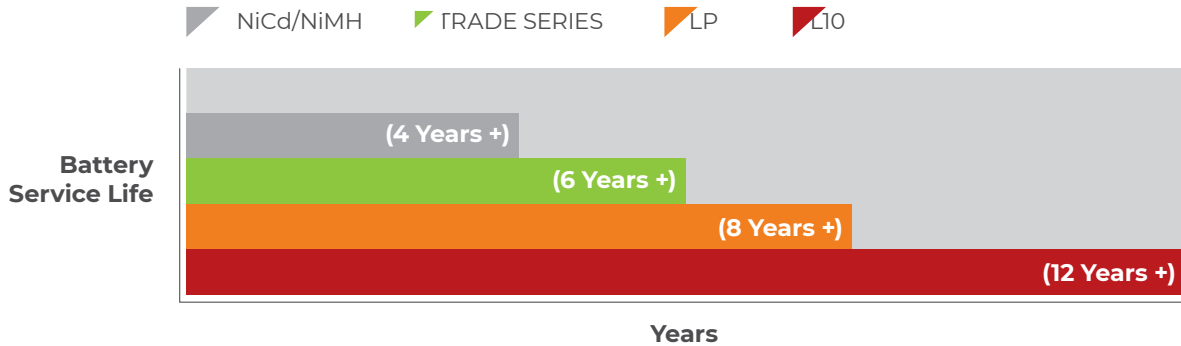
NOTHING ELSE COMPETES WITH NANOPHOSPHATE®

- Lowest total ownership cost
- 50% longer battery life vs any other lithium product
- 60% maintenance savings vs any other lithium product
- Over 80% maintenance savings vs NiCd
- Standard Clevertest Plus

Nothing else competes with L10 Nanophosphate®, due to the structure of the Nanophosphate chemistry enabling higher power, increased abuse tolerance and longer life compared to other Lithium Iron Phosphate offerings.

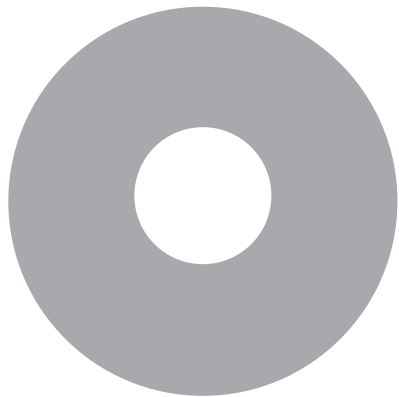
Available with Zoneworks® and DALI® testing options.

Comparisons*



*Based on 30°C external ambient temperature, continuous operation

Range cost of ownership*



NiCd/NiMH
(\$) Maintenance Savings



TRADE SERIES
(\$) Maintenance Savings



LP
(\$) Maintenance Savings



L10
(\$) Maintenance Savings

*Exit and emergency fittings are replaced when either battery or PCB fails

L10 Lithium Nanophosphate®

The first and only Nanophosphate® powered product on the market

- Lowest total ownership cost
- 50% longer battery life vs any other lithium product
- 60% maintenance savings vs any other lithium product
- Standard Self Test



L10 LITHIUM
NANOPHOSPHATE®

OPTIMUM

NOTHING ELSE COMPETES WITH NANOPHOSPHATE®

The L10 advantage

Clevertronics were global pioneers when they launched the L10 Nanophosphate range of products in 2012 incorporating Lithium Nanophosphate® battery technology which was the world's first lithium powered product on the market. The L10 range has proven to be a significant influence on the market due to the incredible maintenance savings that have been realised. The range is comprehensive and covers Exit and Emergency luminaires as well as a full range of Battens so you can ensure the facility can take full advantage of the savings available.

Since launch, over one million L10 Nanophosphate fittings have been installed into 100's of sites across Australia and NZ including, Melbourne Cricket Ground, Perth Children's Hospital, Barangaroo Reserve, Legacy Way Tunnel and Etihad Stadium, and on-site real world results are exceeding bench-test performance predictions by a significant margin. Clevertronics Zoneworks XT HIVE monitoring system provides unprecedented visibility into on-site product and maintenance performance, which assists facility managers in achieving compliance and helps Clevertronics in our drive for further innovation.

Testing and Development

Together with over ten years of bench-testing data at elevated temperatures and on-site “torture testing” with specific trial-site partners, Clevertronics has cemented its position as the world leader in lithium powered emergency lighting with its L10 range powered by Nanophosphate technology.

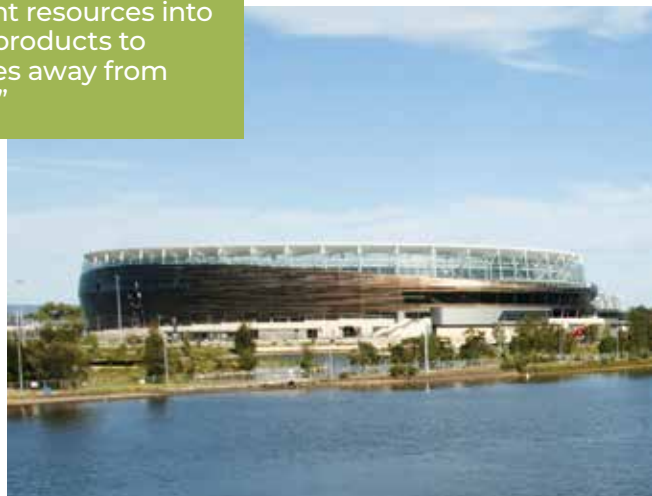
To understand the challenges of incorporating an LFP battery into an Emergency light and why long term testing and making it work in harmony with the total product is vital to ensure long term reliability, Michael Duce – National Systems and Engineering Manager from Clevertronics, provided some insight. “When we were embarking on this project, we knew the reliability of the product was centred around the impact heat would have on the components inside the emergency luminaires, so we put significant resources into redesigning products to place batteries away from heat sources. In the case of batten luminaires, we developed a thermally isolated section or POD at the end of the batten to house the LFP battery, and the emergency LED light source.”

Testing was rigorous and Michael and his Australian-based team spent over two years testing the product before it was released on the market in 2012. Michael adds further details about managing the project.

“The second challenge was to ensure we could incorporate the battery into the various range of fittings. Our customers needed a complete range of Emergency, Exits and Battens fittings for their projects and to realise the 80% plus maintenance savings from the L10 range we needed to deliver the entire range as a package. This was challenging from an engineering perspective due to the massive scale of the development task given the large number of different products in our range.

It meant that we had to structure the development team to work on several product families concurrently and work very closely with the Production Team to ensure a smooth transition to full-scale production. To see the results now provides great satisfaction especially being the global innovators.”

“When we were embarking on this project, we knew the reliability of the product was centred around the impact heat would have on the components inside the emergency luminaires, so we put significant resources into redesigning products to place batteries away from heat sources.”



So what is Lithium Nanophosphate?

Nanophosphate® is a registered trademark for a Lithium Iron Phosphate battery technology that maximises the performance of the standard technology. The three main areas where Lithium Nanophosphate has distinct advantages over other Lithium Iron Phosphate batteries are listed below.



Power – Nanophosphate is a positive electrode material of remarkable rate capability, critical to high power systems. High power products are able to pulse at discharge rates as high as 100°C and deliver superior power by weight or volume in a cost-effective solution. With their low impedance and thermally conductive design, high power cells can be continuously discharged at a 35°C rate, a marked improvement over other rechargeable battery alternatives, and have consistent power over a wide state of charge (SOC) range.

Safety – Safety begins with chemistry and Nanophosphate is stable chemically, which provides the foundation for safe systems while meeting the most demanding customer requirements. Multiple layers of protection are employed at the chemistry, cell and system level to achieve an energy storage solution with superior safety and abuse tolerance compared to metal oxide lithium-ion chemistries.

Life – Nanophosphate technology delivers exceptional calendar and cycle life. At low rates our cells can deliver thousands of cycles at 100% depth of discharge (DOD), a feat unmatched by most commercial lithium ion cells. Even when cycled at 10°C discharge rates, cells deliver in excess of 1,000 full DOD cycles. Not only does the technology retain its energy, it also retains its power capability. Not all lithium-ion technologies behave the same. The nanoscale structure of the Nanophosphate chemistry, for example, enables battery systems with higher power, increased abuse tolerance, longer life and the greater ability to maintain consistent power over a wide range of state-of-charge (SOC) as compared with competing lithium-ion and other chemistries. Understanding the fundamental chemical differences between Nanophosphate and other technologies is necessary to develop a complete and accurate assessment of the optimal advanced battery system that will deliver the best performance for a given application.



L10 Nanophosphate Lithium Battery

The Lithium Iron Phosphate battery technology has been available for over 15 years. However, significant technological breakthroughs in the early-2000s by leading manufacturers of these cells has provided the advanced properties which now sees this as the battery technology of choice for such applications as electric cars, emergency lighting, power drills, and computers. The L10 Nanophosphate range utilises a Lithium Iron Phosphate battery that has significant improvements due to the Nanophosphate advantage.

At Clevertronics, we also believe that when comparing different emergency lighting products, it is important to ensure the technology is comparable as not all emergency lighting powered with Lithium Iron Phosphate

batteries will perform at the same level. It is, therefore, critical to ask to see the performance from actual site results to give you the complete story.

There's a real difference when the results are in!

L10 LITHIUM
NANOPHOSPHATE®
OPTIMUM
NOTHING ELSE COMPETES WITH NANOPHOSPHATE®

What emergency lighting compliance system is right for me?



Clevertest Plus (CTP) system is suitable for the simplest and smallest of sites, right through to medium and large installations where compliance and low ownership costs are important. The CTP system replaces the manual testing of emergency lighting, with self test fittings and includes the CleverSparky Electronic log book app for your phone and PC.

Managing Emergency lighting compliance across multiple sites? CleverSparky helps to manage contractor access, view the schedule for upcoming tests and is the perfect tool for managing local and national contracts with large numbers of outlets.



Zoneworks XT HIVE is the most advanced emergency lighting system in the world. Utilising Dynamic self-managed meshing allows the simplest RF backbone set up for any site.

Every Zoneworks XT HIVE system is backed by the Clevertronics Advantage Lifetime Support program which is designed to help the building owner and maintenance contractor manage the health of the system at no additional cost.

What emergency lighting compliance system is right for me?

	MANUAL	CTP SYSTEM	ZONEWORKS XT HIVE
Simple Fitting Installation	✓	✓	✓
RF Controller			✓
Automatic Testing		✓	✓
Automatic Results Collection			✓
Auto Faulty Fittings Report		✓	✓
Electronic Reports		✓	✓
Electronic Maintenance Log		✓	✓
Network or Cloud Access Reports		✓	✓
Precise Test Time Configuration			✓
Remote System Access and Configuration			✓
BMS Integration			✓
Real-Time Site Alerts			✓
Dynamic Self-Managed Meshing Capabilities			✓
ALS Lifetime Support			✓

Marvel Stadium has 2756 fittings that are monitored by Zoneworks XT



ZONEWORKS[®]

St Vincent's Care Service in Towoomba has 73 fittings utilising the CTP System



Clevertest Plus 



The lowest cost emergency lighting system on the market

The Clevertest Plus (CTP) system is designed to provide building owners and electrical contractors with a cost-effective and thorough means of managing emergency lighting and has proven to reduce duration test collection times by 60% vs traditional manual testing.



“Throw away that old logbook”

Michael Hussey
Australian Cricket Legend
& Clevertronics Ambassador

The Clevertest Plus System will provide more accurate testing by ensuring no fittings are missed during a logbook test.

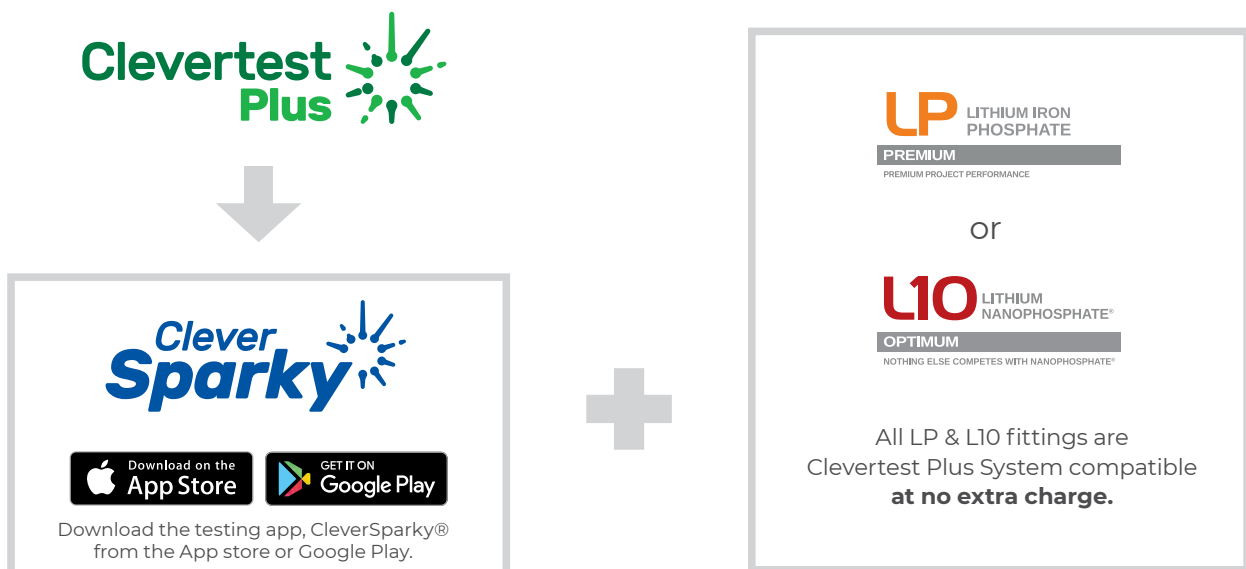
Despite our connected world, the vast majority of new installs continue with manually tested fittings and paper-based compliance reports which are time-consuming, inefficient, often inaccurate and difficult to access. To overcome these issues, the Clevertest Plus System brings automatic testing, site management and compliance reporting to the mobile world; your accurate site information will now be available where you want it and when you want it.

Features and Benefits of the Clevertest Plus System

Fittings automatically test every six months

- Complies with AS/NZS 2293.2 automatic testing requirements
- Compliance reporting available instantly on phone or web portal
- No need for any paper-based log book
- Upcoming test due date dashboard on the CleverSparky Web app
- Manage multiple sites under one account
- No need for a data cable, wireless connection or centralised PC
- Provides an accurate diagnosis of lamp, battery or control gear for each faulty fitting
- Does not require a test switch at the switchboard

What do I need for the CleverTest Plus System?



Clevertest Plus System

The Clevertest Plus System (CTP) allows you to manage Emergency Lighting compliance with ease, saving you time and money.

Step 1

Activate the CTP self-test function on each luminaire. Each fitting will automatically perform a duration test every 6 months removing the need for expensive manually activated testing.

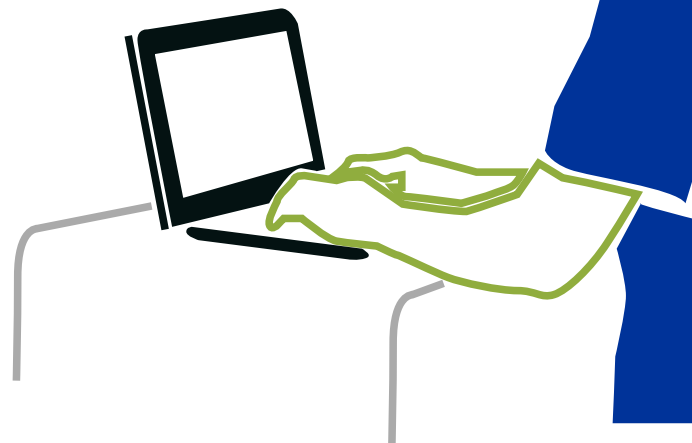


At the fitting
or
At the breaker



Step 2

Use the CleverSparky mobile app or the CleverSparky web interface to build your site database.



Step 3

Use Quick Collect to rapidly gather the test results or scan a fitting to see detailed test or fault information.

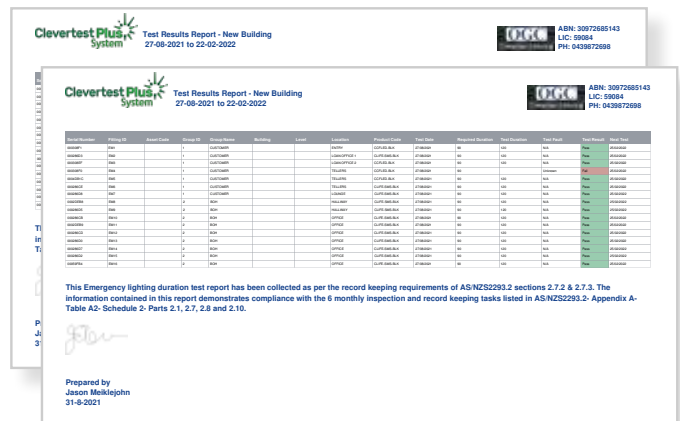


Quick collect or LED scan



Step 4

Instantly produce detailed and professional compliance reports, customised with a business logo and digital signature.



Download from the App Store or Google Play



Download the testing app, CleverSparky® from the App store or Google Play.

Download the Guide

Download the CTP System operation guide at clevertronics.com.au





Zoneworks is the world's most advanced emergency lighting system with over 2,500 sites installed across Australia, New Zealand and the UK.

The introduction of Zoneworks XT HIVE has redefined the way emergency lighting is designed, installed and managed, making it the most advanced system on the market.

Zoneworks XT HIVE reduces the backbone hardware requirements to a single RF controller and adds dynamic self-managed meshing technology to make your emergency lighting simpler, faster and easier than ever before.

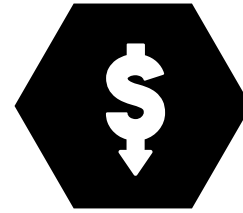
- If you are designing an emergency lighting system, it is **simpler**
- If you are installing and commissioning emergency lighting, it is **faster**
- If you are managing emergency lighting, it is **easier**

Zoneworks XT HIVE will continue to be supported by a team of Advantage Lifetime Support specialists that ensure each system is looked after for its lifetime at no additional cost. It's just what we do.



Faster

**Design, Install, Commissioning,
Testing & Maintenance**



Lower Cost

Installation & Operation

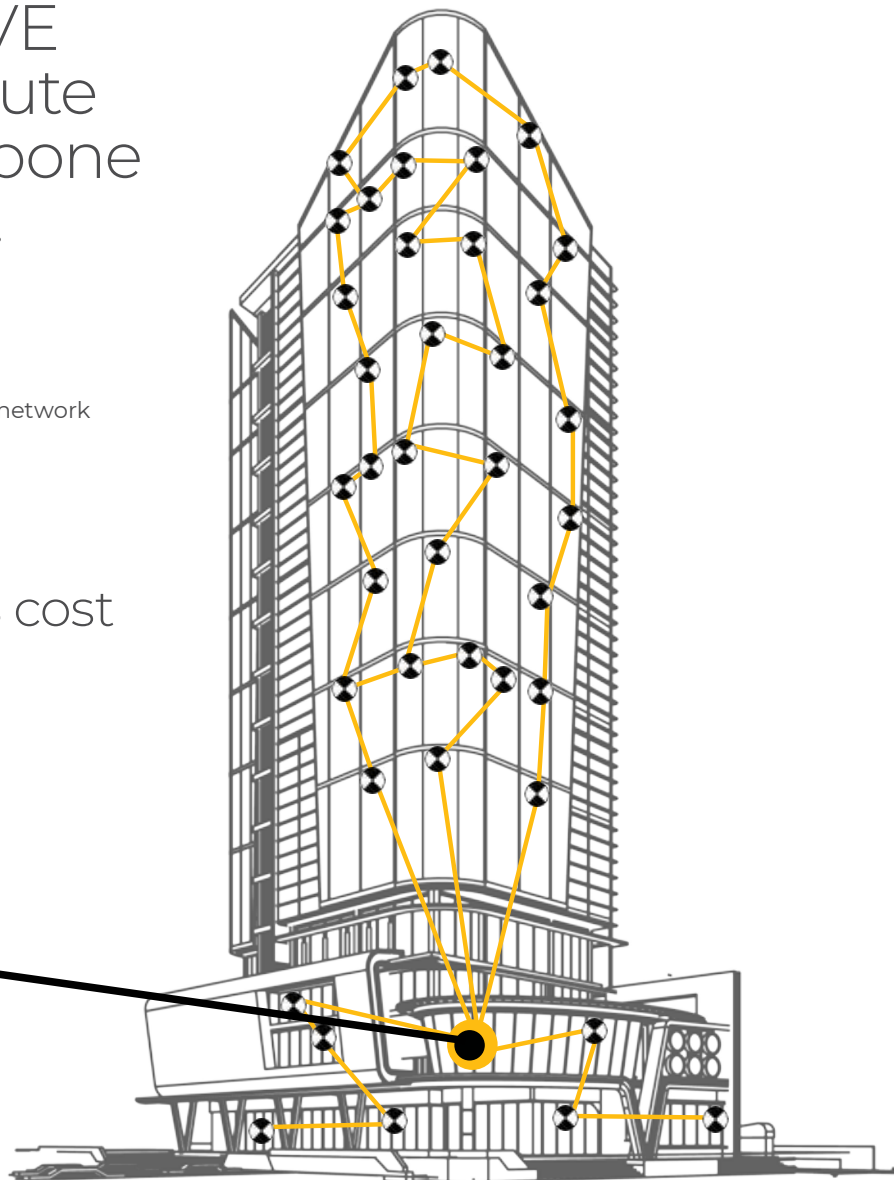
Zoneworks XT HIVE is simple & easy because:

- ✓ **No More Additional Routers**
- ✓ **No More Additional Controller**
- ✓ **No More Additional Repeaters**
- ✓ **No More Additional Networking Cable**
- ✓ **No More Additional Couplers**
- ✓ **No More Additional Data Points**
- ✓ **No More Data Cable Between Fittings**
- ✓ **No More Additional Extenders**

Zoneworks XT HIVE features the absolute simplest RF backbone set up for any site.

- One single RF controller per 1,000 fittings
- Unlimited fittings per system
- Powerful Dynamic Self-managed Mesh radio network
- Industry grade encryption and site security
- Highest data throughput and performance

Less backbone = **Less** cost



*1000 fittings per controller, unlimited fittings per system.
Location of the controller is flexible & can be moved should the need arise.



Dynamic Self-Managed (DSM) Meshing

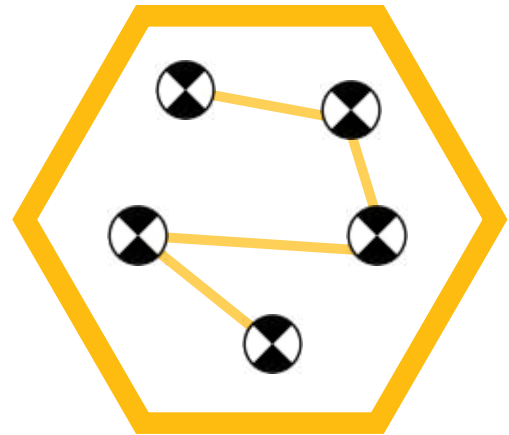
- Every fitting self-discovers other fittings around it to form "colonies" that dynamically build the network
- These colonies only communicate with each other and will not interfere with other wireless networks, even if they are on the same frequency
- Maximising the efficiency of the overall network
- Minimising commissioning and system management time

Zoneworks XT HIVE Backbone & Connectivity

Zoneworks XT HIVE is fast, simple and smart, allowing you to save time and costs across design, installation, commissioning and testing.

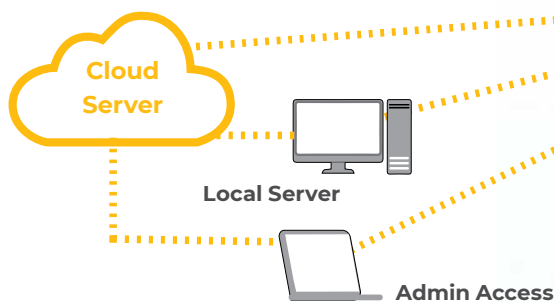
1. Automatically Mesh Devices

Once HIVE fittings are installed and powered up they automatically create a network by self-discovering others around them using dynamic self-managed meshing (DSM Meshing), saving valuable commissioning time.



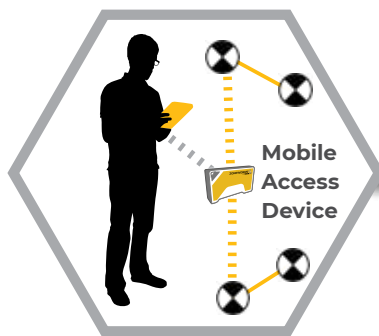
2. Enable the Controller

Switch on the controller to provide access and control of the emergency lighting system.



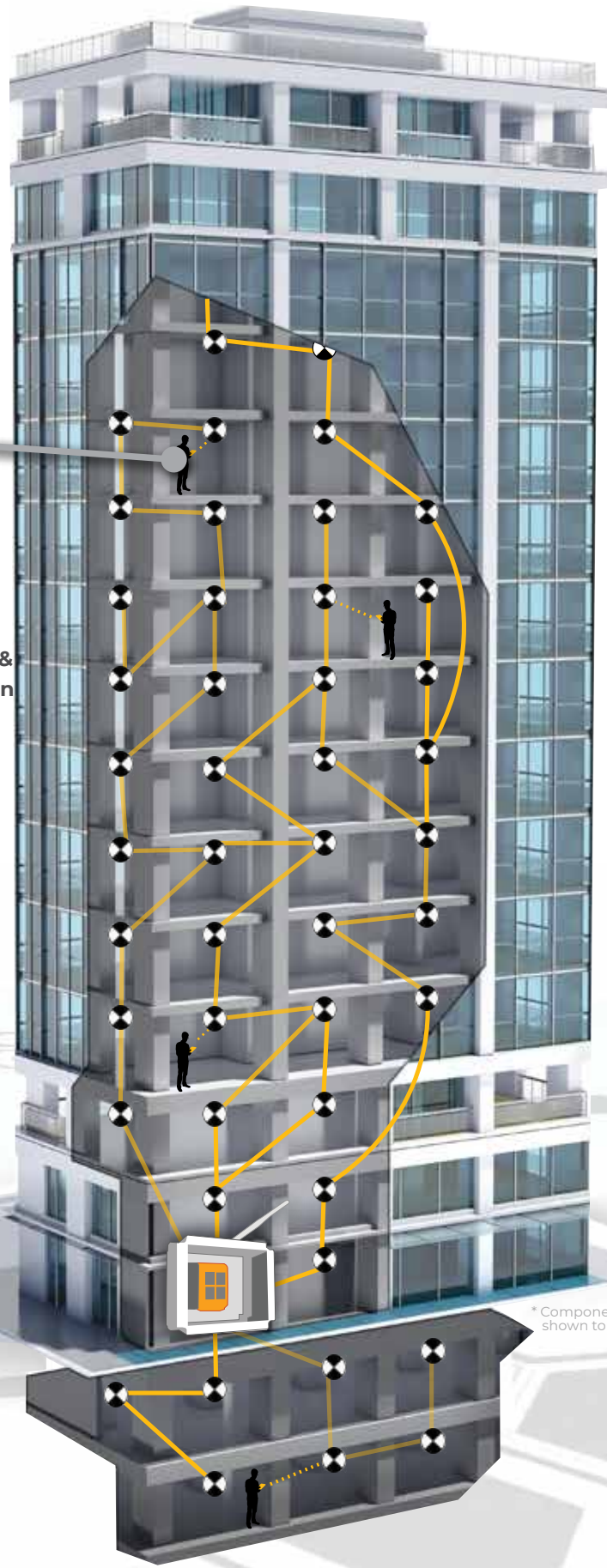
3. Create your Log Book

The fitting register can now be easily uploaded and a smartphone or tablet can be used to perform local fitting diagnostics and identification.



Local fitting diagnostics & identification

The MAD (Mobile Access Device) is a portable access tool (as small as a smartphone) that enables service technicians a mobile field connection to the XT HIVE network using a smart phone or tablet app.



RF with Dynamic Self Managed Meshing

RF Mobile Access Device to Fittings

Bluetooth to Smart Device

* Components not shown to scale.

Security

The method used by the HIVE controllers to achieve this outcome is via a unique encryption key. Following the initial commissioning, the fittings are then issued an encryption key; either globally across the entire site or on a controller-by-controller basis.

In the same way that bees join a colony, once the encryption key is applied to the HIVE emergency fittings and the controller, a segregated community of Zoneworks XT HIVE emergency light fittings is established, and the members of this HIVE will only communicate with their fellow members, ignoring any others within range.

New members can only be added to this community by the issue of the site's unique encryption key. This key can be changed by the client if or as required.

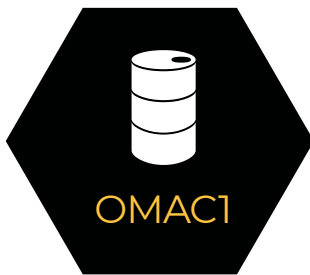


Trusted across many industries

Government & Defence



The HIVE controller(s) and fittings also provide 3 levels of RF network security – Message Integrity, Message Confidentially (encryption) and Node Authenticity.



Message Integrity

Each message is appended with an OMAC1 Message Integrity Code.

Making sure the message content was not interfered with during transmission.



Message Confidentiality

Every message is encrypted with AES128 CTR mode using a message specific nonce.

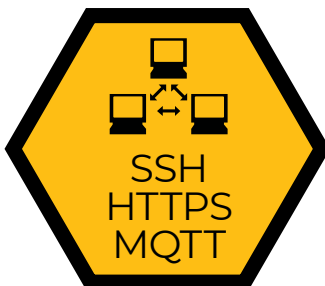
Ensuring the message is encrypted in such a way that if it could be heard or intercepted the message could not be understood.



Node Authenticity

Network signalling messages are encrypted and appended with an OMAC1 Message Integrity Code (MIC). Nodes without the correct encryption & MIC key pair cannot join the network.

Making sure that received data can be trusted.

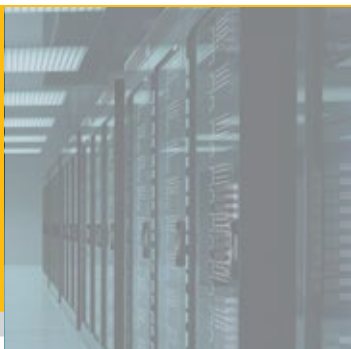


Security at the Controller and Server

Industry standard:

- SSH for file transfer
- HTTPS
- Secure Socket Layer for MQTT

**Data
Centres**



**Infrastructure
& Transport**



Operation & Reporting

Zoneworks XT HIVE has all the functionality users are familiar with, including a clean and simple web-based interface that can be integrated seamlessly with other networked building management services.



Fittings by groups

The reporting functionality provides everything you need at the push of a button from faulty fittings, maintenance log and full test results.



Fitting detail and test history

Flexible Site and User Management

Allows organisations with large sites or multiple locations to put one controller at each address to centrally manage all their emergency lighting systems from one place, including gathering compliance test results without needing to attend the sites in person.

A feature named "Site Group Access" enables facility managers to grant specific access to users across different parts of the network. For example, they might have an agreement with different local contractors to provide emergency lighting maintenance for different locations. The building manager can give them access to the system, but they'll only see the parts that are relevant to their location. This feature coupled with Active Directory Integration allows system administrators to manage users more effectively.

Cloud Hosting

While the Zoneworks XT platform can be housed locally, clients may instead choose to access Zoneworks XT Cloud Hosting, making it the practical choice for installations where there are no dedicated building management facilities. All that is required is an internet connection to the local XT HIVE RF controller and you are set to go.

Simpler Commissioning

Multiple installers can work efficiently together at different locations to create the master register, ready for managing compliance testing for the site. The Zoneworks App lets maintenance personnel manage multiple sites, including control of access to the system for additions or changes as required.

Sensitive Areas that can't utilise wireless platforms

Zoneworks XT HIVE has the solution if an RF network isn't suitable for selected rooms or areas that are shielded from all RF interference due a specialist function, or a requirement for specific luminaires. These may include high-security facilities, emergency services control rooms, hazardous area lighting, or hospital MRI rooms. Adding a Hive2Wired bridge outside of the sensitive zone enables a Zoneworks connection using a (Non-RF) wired communication link into the shielded area and includes the fittings in the same system.

System Integration Platform Interface Options

The Zoneworks XT HIVE System can integrate/export data to 3rd party Building Management Systems, Supervisory Control Systems and Dashboard Tools (known generically as System Integration Platforms) via the following methods:

- a) **Low Level via voltage free contacts/ digital outputs that provide system alarm and fault indications.**
- b) **High Level via a Direct Structured Query Language (SQL) database access where all information associated with each emergency light fitting can be obtained (no additional cost).**
- c) **High Level Message Queuing Telemetry Transport (MQTT) API interface for integration of Zoneworks XT Hive compliance data to other system integration platforms.**

Upgrading your existing Zoneworks system to XT HIVE

An investment in a Clevertronics Zoneworks system is an investment for life. Every new Zoneworks system is backwards compatible with previous generations that allows for a seamless upgrade pathway for all our end user clients to accommodate refurbishments like tenancy refits, building additions, or simply migration to our latest technology as fittings fail through natural attrition.

It is not a large investment to commence a system upgrade, simply add an XT HIVE controller and add or replace fittings when required under regular maintenance. Software updates are free and Clevertronics provides commissioning support to migrate your existing Zoneworks system and XT HIVE into one front end interface for ongoing testing, reporting & compliance management.

Backwards compatible HIVE nodes

Clevertronics LP & L10 battery technology combined with 100,000hour luminaires means your installed fittings have industry leading service life.

With our engineered backwards compatible HIVE nodes there is no need to discard functioning emergency lights to access the benefits of the Zoneworks XT HIVE as part of your upgrade project. The Zoneworks HUNI Card [HIVE Upgrade Node Interface] is a plug-and-play solution that links the existing evacuation luminaire into the HIVE platform. This process can happen in bulk or over time to build a complete HIVE system to maximise the life of your investment in lithium fittings.



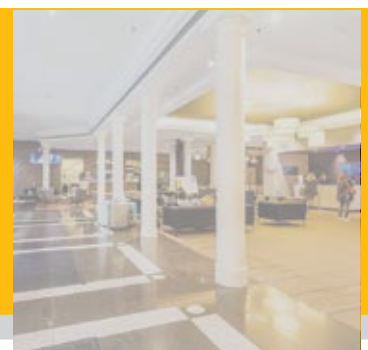
Seamless experience between new and existing Zoneworks systems

A single hybrid front-end Zoneworks interface allows existing clients to control both the existing and new generation of Zoneworks in one location, without jumping between interfaces or windows.

This creates a more seamless experience for clients with no separation between emergency lighting - allowing for staged upgrades or new XT HIVE additions on sites using our powerline platforms.

Trusted across many industries

Residential & Hotels



Upgrading your site to XT HIVE from scratch

Previous emergency lighting system upgrades were costly and complex due to the required backbone and cabling requirements. With Zoneworks XT HIVE's simple backbone and RF meshing system, all sites, regardless of manufacturer, can now be easily upgraded cost-effectively.

Here are some signs you might need to consider an upgrade:

- Your facilities management team are struggling to stay on top of testing and maintenance requirements
- Your team isn't sure how your system works because training and support is minimal
- You're not sure if your building is compliant, and there's no log of the testing or maintenance
- Your costs to manage, maintain, and test your system are high - and going up over time
- Your lamps and batteries are an older style that needs replacing every year or so

XT HIVE progressive upgrades don't add any significant upfront cost to your emergency lighting maintenance budget as it only requires the small investment of a HIVE controller. As the existing fittings fail and need replacement, XT HIVE compatible fittings are installed as a progressive upgrade throughout the site. This process ensures you are only using the maintenance budget to achieve the upgrade. Depending on the health of the existing fittings, you will likely have a fully operational HIVE site within a few years.

Only one XT HIVE fitting and controller is required to start you on a better emergency lighting compliance journey.

Are you interested in understanding more about an upgrade at your site?

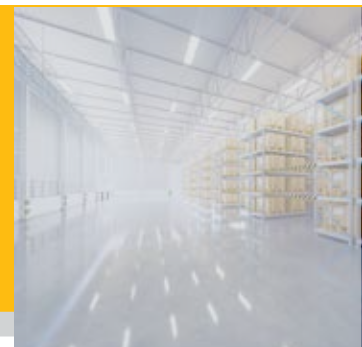
Contact Clevertronics for a site audit, demonstration and cost analysis report.



**Heavy
Industry**



**Warehouse
& Distribution**



Technical Overview

Fittings per controller	Up to 1000
Fittings per system	Unlimited
High data throughput	Ultra fast data network enabling real-time analytics and response. Status and test result request times for a 1000 fitting network are an average of 1 second, or less per fitting
Network Commissioning	The RF network builds itself automatically (unattended) resulting in a dramatic reduction in site commissioning time - Clevertronics can deliver a fully commissioned network faster
Bluetooth Connectivity	Smart devices (IOS & Android) can connect locally via our mobile access device
Compatibility	Supports powerline and RF controllers
Antenna Configuration	Internal (external antennas by exception only on a limited range of products)
Product Availability	L10 & LP Exits, Emergency Lighting & Battens
Fittings Product Code	Add suffix '-HV' to existing L10 & LP Exits, Emergency Lighting or Battens
Security	XT HIVE fittings use high grade network security protocols to ensure that they only communicate within their site and will not interact with any device outside of the commissioned group
No Interference	XT HIVE is designed to operate in environments alongside other RF systems including Wi-Fi, Mobile Phones, Bluetooth, and other wireless communication streams, even those using the same frequency band. The RF networks operates within ACMA approved ranges and has proven performance in various environments including hospitals, retail, distribution centres, power stations, data centres, transport hubs and televised stadiums.

Trusted across many industries

Retail & Commercial



Your Partner in Compliance



With the Zoneworks XT HIVE platform, Clevertronics also includes ongoing support through our complimentary Advantage Lifetime Support (ALS) program. This service is designed to help the building owner & maintenance contractor manage the on-going health for the life of the system.

Emergency lighting is regarded as a life-saving device, and therefore, it should always be in working order. Compliance with the standard can be costly, especially if the products and operating systems regularly fail.

Many emergency lighting companies finish their involvement on your project once the product has been supplied. However, at Clevertronics we know that on-going support is important to contractors and building owners.

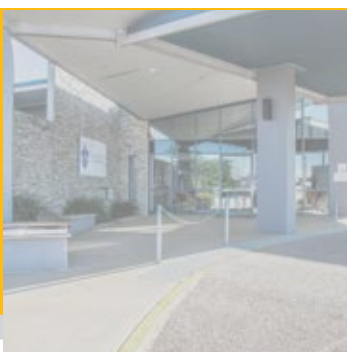


How can we help you?

System Health Check	Once you complete the testing, we assist with interpreting results
Optimisation	We can provide expert support to assist with optimising the system
Training	Periodic training is provided to ensure the user is confident with operating the system
Software	Complimentary software upgrades are installed to ensure your system is always up to date
Contact	You will always have a dedicated point of contact to answer your emergency lighting questions



Medical & Health



Education





DALI Registered and DALI-2

Clevertronics manufactures a range DALI version 1 registered emergency and exit luminaires and is transitioning to DALI-2.

DALI, the open protocol supported by all the major lighting manufacturers, enables digital dimming, individual luminaire control, lamp and ECG (electronic control gear) status feedback and emergency test and monitoring – all over a robust and simple wiring solution.



What is DALI

Digital Addressable Lighting Interface or more widely known as DALI is an open data and communication protocol that is defined under the IEC 62386 international standard. Part 202 of the standard specifies a protocol and test procedures for the control by digital signals of electronic control gear for use on A.C. or D.C. supplies, associated with self-contained emergency lighting. Clevertronics DALI luminaires are all fully compliant with IEC 62386-202 and are registered on the DiiA product database.

DALI Integration

By integrating emergency luminaires with the DALI lighting control system the same wiring and networking infrastructure can be utilised to monitor and test the emergency and exit luminaires. The DALI standard enables dimmable ballasts, emergency fittings and controllers from various manufacturers to be used in a single control system providing a flexible digital lighting system for designers, installers, facility managers and end-users. The DALI lighting control system and the software module for the emergency lighting is supplied by the lighting control system provider. Commissioning and addressing of the luminaires including the emergency lighting is also carried out by the lighting control system provider or systems integrator.

DiiA

DiiA stands for Digital Illumination Interface Alliance. The DiiA is responsible for DALI trademark and develops testing sequences for DALI products to have them registered or certified. Clevertronics is a member of the DiiA.

Standards and compliance

The Clevertronics range of DALI Registered emergency and exit luminaires have been designed in accordance to: IEC 62386-202.

Transition from DALI Version 1 to DALI-2

Clevertronics is on a pathway to DALI-2 Certification and is updating DALI version 1 products for DALI-2 certification. As of September 2002, the test sequence issued by the DiiA have some errors that are being corrected by the DiiA and once these have been resolved we will continue with the certification program for release later in 2022. During the transition period, the Clevertronics DALI version 1 registered devices can be installed on a DALI-2 network.

Clevertronics and DALI

Each DALI emergency and exit luminaire incorporates a DALI plugin node module making the replacement of fittings simple without the need to re-address the new fitting. All Clevertronics DALI emergency and exit luminaires can be supplied with industry standard leads and connectors making installation to structured cabling quick and simple.

Clevertronics Support

Product and application support is always available for installers and integrators using Clevertronics DALI luminaires on a project. With dedicated project services and engineering teams based around Australia and New Zealand, we provide a high level of support for all projects and can provide technical advice, remote or on-site assistance at Clevertronics discretion.

DALI Product Range

Our extensive LP Premium and L10 Nanophosphate ranges are available with DALI.





Case Study – CTP System

Coles Group Melbourne VIC

Coles Group has broken new ground in emergency and exit lighting by achieving best in class compliance thanks to a hugely successful partnership between its facilities management company CityFM and emergency and exit lighting specialists Clevertronics. Clevertest Plus self-testing fittings, combined with the innovative CleverSparky app, means Coles customers and staff are 100% safe and CityFM can generate a compliance report at the push of a button.

As one of the world's largest privately-owned facilities management companies, employing over 13,000 people with divisions across five continents, CityFM has an outstanding reputation for providing facilities management solutions to some of the world's biggest companies. In Australia, CityFM's expertise is proven by their longstanding contract with the Coles Group, Australia's second largest retailer, who have placed all 800 of their supermarkets in the company's care.

Challenges

One of the most important aspects of CityFM's service offering is maintaining compliant emergency and exit lighting systems in accordance with the AS/NZS2293 emergency lighting standards. As defective emergency lighting is a serious public safety issue, when it came to deciding who to trust to help them uphold their legal obligations, it is not surprising that CityFM turned to Clevertronics. National Regional Technical Manager for CityFM, Hector Bright, explains why:

"Right at the core of the success and longevity of the CityFM and Coles Group relationship is CityFM's ability to innovate consistently across

installed," he says. "We chose Clevertronics as our emergency and exit lighting partner because they were, and are, the most innovative company working in that space."

Clevertronics holds an estimated 50% market share in Australia and New Zealand across small, medium and large installations. Although all new Coles stores are automatically specified with Clevertronics Zoneworks (the gold standard emergency and exit lighting system), for existing stores a full retrofit is not always economically feasible.

"Doing a full retrofit with Zoneworks in our older stores was not possible, but we knew we had to do something to improve the emergency and exit lighting and maintenance approach. The manual method was no longer serving us. In fact, we increasingly recognised compliance risks associated with it," continues Bright. The manual system that Bright is referring to is a single point test and maintenance regime that has been in place for many years. It involves a technician walking around the store every six months physically checking the fittings, making sure they stay illuminated for 90 minutes, recording the data in a paper logbook, then typing it into a spreadsheet.

"We chose Clevertronics as our emergency and exit lighting partner because they were, and are, the most innovative company working in that space."

the full-service offering. Within this, emergency and exit lighting is pivotal and it is my job to make sure the best and most reliable products are

“It has been a great learning curve for us, has improved safety and removed the compliance risks. In fact, it has set a new benchmark by going above and beyond the standard.”



Solution

Product Support Manager for Clevertronics, Jason Meiklejohn, explains why this is far from the best approach. “We found huge variability in the way data was being recorded and managed. The whole regime made proving compliance quite difficult. In addition, the large population of legacy NiCad and fluorescent fittings installed in stores are reaching their end of life leading to high failure rates as well as high maintenance and energy costs.”

Bright agrees. “There is no doubt that the single point test and maintenance regime is a pretty clunky way of doing things. It’s not only time-consuming, and therefore costly, but must be done out of hours and, most seriously, is open to error and omissions. If it’s not 100% correct, this creates a huge compliance risk for the business if a fault should occur and data is found to be missing or wrong.”

With huge fines at stake, should an audit identify a problem, not to mention the safety risk to customers and staff, Bright engaged the team at Clevertronics to figure out a more time and cost-effective solution.

Results

The result is Clevertest Plus (CTP) System which has recently become operational in a concept Coles store called Middle Park in Queensland. Clevertronics National Accounts Manager, Graeme Smith, says it is incredibly gratifying to see the culmination of the four-year CTP product innovation journey finally come to life.

“Although we are scheduled to roll CTP out to all 600 of the older stores, Hector Bright was keen to get one store fully operational so we could easily demonstrate the benefits. We identified Middle Park Coles as the perfect place to showcase the system because 80% of the emergency and exit lighting fittings had already been replaced with Clevertronics LP, which all have self-testing as a standard feature,” explains Smith.

Bright says he is thrilled with the results. “We have programmed the system to self test every six months, as per our compliance obligations and, at that point, all the technician has to do is check each fitting to see if the LED is displaying a pass or fail indication. They capture the data electronically as they go using CleverSparky, then upload the data to the cloud for internal or, fully compliant, external auditing. It’s brilliant.”

There is no doubt the new CTP system will reduce labour costs, eliminate errors and give uniformity to the data collection process. In addition, Bright says it helps with forward maintenance. “If the fitting does display a failed test result, meaning there is an error, you can scan the fitting with your phone to automatically identify the issue, or just view the way the LED flashes to see what is required to fix it. We then electronically log the maintenance request,”

Smith is also happy with how the project has evolved. “It’s win-win-win. For CityFM, for Coles and for Clevertronics. It has been a great learning curve for us, has improved safety and removed the compliance risks. In fact, it has set a new benchmark by going above and beyond the standard,” he notes.

Having successfully demonstrated the concept store, the project is swiftly progressing towards the end goal, which is to have all single point Coles stores fully installed with CTP fittings and all data migrated onto CleverSparky.

“This will really drive efficiency gains giving us what I call ‘more for less,’” continues Bright. “It has been great to work with Clevertronics on the project. Our aim has always been to get the best product for the right price with the right support, and all of that combined equals Clevertronics.”



Case Study – Zoneworks XT HIVE

Novotel Sydney Central

The Novotel Sydney Central is a contemporary 4.5 Star, 18 level Hotel located in Haymarket just 500 metres from the heart of Sydney’s Darling Harbour. Built in 1988 and having gone through a refurbishment in 2008, the hotel comprises 255 guest rooms, restaurants and 10 function rooms.

Novotel Sydney Central is operated by Accor Hotels who owns, manages and franchises hotels, resorts and vacation properties across the globe. Accor operates in 100 countries, with more than 4,800 hotels and 280,000 employees worldwide.

“We had a limited budget so we couldn’t do the whole building in one installation. With HIVE though we can begin with the infrastructure and a limited amount of fittings and then incrementally upgrade the building as fittings fail.”

The emergency and exit lighting installed was manually tested, halogen and fluorescent fittings with NiCd batteries which had poor energy efficiency and were expensive to maintain and test. With the goal of achieving a low

cost of ownership and full site testing compliance, the Hotel Chief Engineer, Yi Ding was looking for a solution.

In August 2019, Clevertronics were invited to the AccorHotels NSW/ACT Engineering Managers meeting to present on all things emergency lighting, including latest innovations, technology and meeting statutory compliance requirements, it was during this presentation Yi Ding was introduced to the Clevertronics XT HIVE monitored system; and the solution to his site challenges became apparent.

Challenges

When asked about the challenges currently facing them with manually testing the emergency lighting in the building Yi Ding the Chief Engineer, Novotel Sydney Central said;

“Testing now is difficult and expensive, we have to test out of hours so the contractor needs to come in at 4:30 in the morning and switch the lights off (not all circuits have test switches due to the age of the building) we also have to pay extra staff to be here at that time”. In addition, the existing baseline data that our compliance testing contractor has relating to circuit and switchboard details is incomplete and inadequate.”

Coupled with this was the high failure rates of the existing fittings resulting in unacceptable ongoing maintenance cost.





Solution

A Clevertronics XT HIVE Monitored System – One single HIVE controller and base fittings were installed as part of an incremental upgrade of the site emergency & exit lighting.

When asked why upgrading to XT HIVE was the best option financially – Yi Ding commented

“We had a limited budget so we couldn’t do the whole building in one installation. With HIVE though we can begin with the infrastructure and a limited amount of fittings and then incrementally upgrade the building as fittings fail. This feature was an essential feature and XT HIVE is the best value in achieving a bulletproof, low cost of ownership monitored system.”

When asked why he agreed with Yi Ding’s recommendation of the Clevertronics XT HIVE solution, the Installing contractor – Trent Cumines from Disc Electrical, a leading Sydney based electrical contracting business with extensive experience in hotels and commercial markets upgrading emergency and exit lighting said:

“We have worked with other RF and powerline monitored systems before... XT HIVE with its meshing was the only reliable solution.”

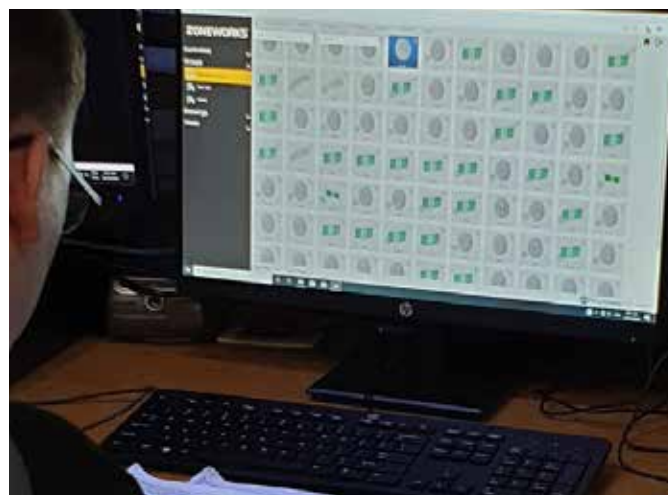
“There are some challenges with the wiring onsite. We have worked with other RF and powerline monitored systems before, due to the wiring/

infrastructure on site, none of these were suitable. I did look at some other RF systems on the market however they were more expensive from an installation standpoint and due to the building layout were not suitable to get effective communication to all areas.” “XT HIVE with its meshing was the only reliable solution”

Also from a support perspective, he wanted to use a brand that he could be confident had a proven reputation to support the system whole of life. XT HIVE backed by Clevertronics Advantage Lifetime Support (ALS) was the clear choice.

“We have worked with all manner of systems in the past, however the XT HIVE technology is backed by the best after sales support in the market which means we can execute the project with absolute certainty that our client will get the absolute best outcome.”

We have 100 fittings installed onsite which with its meshing commissioned in less than it took to get a coffee and we can now perform emergency exit light testing and certification safely without affecting visitors, guests, staff and hotel operations. It has definitely streamlined the entire process and we are looking forward to expanding the network to the remainder of the building.”



The server and controller; have been located in the engineering office at the base of the building, there are several exit and emergency fittings nearby to establish the mesh network to the rest of the building.

Daniel Garden the assistant chief engineer on the site goes on to say “The BMS and the XT HIVE server are on a separate dedicated network allowing remote access” this will enable the Clevertronics ALS team to assist in supporting the site remotely as the staged upgrade continues towards a fully monitored building.

Results

In March 2020 the initial installation of the first stage of the upgrade including 100 fittings, controller and server was completed, on time and to budget with no disruption to hotel activities with the commissioning of the system concluded in a matter of minutes. The remaining older NiCad fittings will be replaced incrementally as they fail or as part of the planned site upgrade works. Due to each XT HIVE controller being able to manage 1000 fittings, no additional backbone hardware is required on site. The Clevertronics Advantage Plus program will now begin on this site, offering ongoing support for the life of the system.





Case Study – L10 Nanophosphate®

Marvel Stadium Melbourne VIC

Marvel Stadium is a 52,000 seat multi-purpose facility designed to cater for major sporting and entertainment events, as well as social, business and private functions. The venue hosts as many as 80 arena sports and entertainment events and 600 non-event day functions annually in its 15 different function spaces.

In 2012, Honeywell was tasked with reviewing the Emergency and Exit Lighting within the stadium. With the existing system reaching the end of its serviceable life the maintenance costs which were already high had reached a level which was not sustainable at \$1,083,000 in costs over a 7 year period.

Marvel Stadium after 8 years



- 2,756 exit & emergency light fittings
- 93.51% Lithium battery capacity
- 33 total faults
- 1 battery fail

Challenges

With the stadium receiving such a high level of foot traffic, Emergency & Exit escape lighting is of utmost importance and the quality and performance of the emergency lighting is critical to ensure compliance is always achieved. Emergency and exit lighting also represented a major ongoing maintenance and energy cost for the stadium, and as time passed these costs grew exponentially as products had failed.

The biggest challenge was to firstly achieve 100% compliance and ensure safety for the customers and staff at the stadium and ensure the reliability could be improved and therefore reduce the overall maintenance costs over a 7 year period.

L10 LITHIUM
NANOPHOSPHATE®

OPTIMUM

NOTHING ELSE COMPETES WITH NANOPHOSPHATE®



Solution

Following the consideration of various options, Honeywell was introduced to the Clevertronics L10 Nanophosphate® Lithium powered lighting range which had just been launched after 12 months of extensive testing. The Honeywell Victoria TAM Operations Manager who was managing the project said “The L10 Lithium range is the way of the future. I believe the move away from NiCd batteries will be quite swift as building owners and facility managers become aware of the numerous advantages that L10 product offers. The added advantage of low environmental impact and also less waste through longer replacement intervals also makes it a far more sustainable technology compared to existing practice. In September 2012, the installation of 2,756 Clevertronics L10 Nanophosphate® exit and emergency lighting fittings and a Zoneworks computer monitoring system began and was commissioned in early 2013. Honeywell estimated that switching from traditional Ni-Cd fittings to the Clevertronics L10 Nanophosphate® fittings would see its total energy and maintenance costs for emergency lighting reduced from \$1,083,830 to \$178,867 over a seven-year period, representing a saving of 83.5% which was beyond expectations before the project began.

Results

Recent results in August 2020 has shown that the average capacity of the L10 Nanophosphate fittings are at 93.51%, with an average run time of 178 minutes (90 minutes is the required time) after 8 years in service.

This indicates that the L10 batteries are on track to exceed the expected design life of the L10 product by a significant margin.

The site has now delivered the maintenance and energy savings estimated at the time of installation and continues to provide the site with the lowest cost emergency lighting solution on the market.





EXITS

EXITS

Spirit	46	Gigantor	64
Cleverfit	48	Weatherproof Wall Mount	66
Cleverfit PRO	50	Weatherproof Universal	68
Swingblade	52	Weatherproof 40m Universal Jumbo	70
Ultrablade PRO Surface Mount	54	Low Temperature	72
Ultrablade PRO Recessed Exit	56	Low Temperature 40m Jumbo	74
Ultrablade PRO Rod Suspended	58	Vandal Resistant	76
Boxlite	60	24V Temporary	188
Jumbo	62		

SPIRIT EXIT



Economy LED Exit

The Spirit Exit is an economic and reliable exit that includes all directions inserts for single or double-sided installations.

The Spirit Exit is easy to install using the quick connect bracket and can be either wall or ceiling mounted in a variety of applications.

Applications



Office Buildings



Schools



Factories



Retail Outlets



Car Parks



Features and Benefits

- AS/NZS 2293.3 compliant
- Low 1.3W standby power consumption
- Wall and ceiling mount with easy slide connect
- All directional decals in one box
- Lithium Iron Phosphate battery



LED



24m



LFP



Universal Mount



IP20

TRADE

S E R I E S

THE TRADES CHOICE

SPIRIT EXIT

ORDERING INFORMATION		TS
TEST OPTIONS / PART #	Standard	SPIRIT
	Clevertest Plus System Compatible	No
	DALI	-
	Zoneworks® XT Hive	-
	Theatre Version	-
Carton Quantity	5 pieces	
Weight - Single (Carton)	1.0kg (5kg)	
Dimensions (L x W x H)	352mm x 80mm x 200mm	
Directional Options	All Directional Inserts Included	

POWER, LAMPS AND BATTERY		TS
Power Consumption (Standby / Max)	1.3W / 2.5W	
Lamp(s)	50,000 Hour LEDs	
Battery	Lithium Iron Phosphate	
Voltage (V) / Capacity (mAh)	3.2V / 500mAh	
Charging Method	Intelligent Current Limited Constant Voltage	

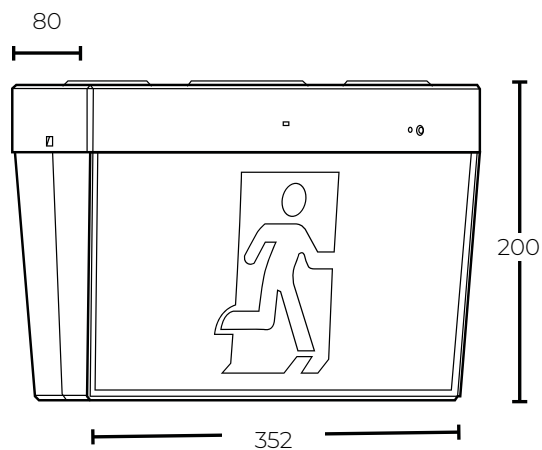
TECHNICAL SPECIFICATIONS		CLASSIFICATION	TS
Operating Mode	Maintained	C0	E2.5
Voltage (V) Frequency (Hz)	220-240V (50Hz)		
Construction - Body / Diffuser	PC / PP	C90	D2.5
Viewing Distance	24m		
Mounting Type	Wall & Ceiling (Single & Double Sided)		
Operating Temperature	1°C to 40°C		

SPACING TABLE AND MOUNTING HEIGHTS – AS/NZS 2293.1:2018 (MINIMUM LIGHT LEVEL OF 0.2 LUX)									
Classification	2.1m	2.4m	2.7m	3.0m	3.3m	3.6m	4.0m	4.5m	5.0m
E2.5	5.4	5.6	5.8	5.8	5.8	0.0	0.0	0.0	0.0
D2.5	5.8	5.8	5.7	5.6	5.3	0.0	0.0	0.0	N/A

For 1 lux and AS/NZS 2293.1:2005 spacing tables please visit:
<https://clevertronics.com.au/spacing-tables/>

Based on minimum light level of 0.2 lux.
 Maximum allowed mounting height is 2.7m but
 for exceptions see AS/NZS 2293.1.
 Spacing classifications do not apply for theatre
 versions.

*Warranty information located at:
<https://clevertronics.com.au/warranty-statement/>



Dimensions (mm)

CLEVERFIT EXIT




LED Exit Suitable for All Applications

The Cleverfit Exit is a proven market leader that is known for its reliability, energy efficiency and ease of installation. The tamper resistant cover makes it possible to include all diffuser combinations in one box for single or double sided applications.

The Cleverfit Exit can be either wall or ceiling mounted and the quick connect bracket makes installation nice and easy.

Applications

- | | |
|---|--|
|  Office Buildings |  Schools |
|  Factories |  Retail Outlets |
|  Car Parks |  Theatres |

TRADE
S E R I E S
THE TRADES CHOICE

LP LITHIUM IRON PHOSPHATE
PREMIUM
PREMIUM PROJECT PERFORMANCE

L10 LITHIUM NANOPHOSPHATE®
OPTIMUM
NOTHING ELSE COMPETES WITH NANOPHOSPHATE®



Features and Benefits

- AS/NZS 2293.3 compliant
- Low 1.1W to 2.7W standby power consumption
- Wall and ceiling mount with easy slide connect
- Can be rod or chain suspended
- All directional decals in one box
- Lithium Iron Phosphate or Nanophosphate® battery
- Clevertest Plus System compatible
- Theatre version available



CLEVERFIT EXIT

ORDERING INFORMATION		TS	LP	L10
TEST OPTIONS / PART #	Standard	ECFLED-LI	CCFLED	LCFLED
	Clevertest Plus System Compatible	No	Yes	Yes
	DALI	-	CCFLED-DALI	LCFLED-DALI
	Zoneworks® XT Hive	-	CCFLED-HV	LCFLED-HV
	Theatre Version	ECFLED-LI-TH	CCFLED-TH	LCFLED-TH
Carton Quantity	5 pieces			
Weight - Single (Carton)	1.2kg (6kg)	1.8kg (9kg)		
Dimensions (L x W x H)	355mm x 80mm x 215mm			
Directional Options	All Directional Inserts Included (Excluding Theatre Versions)			
Directional Options (Theatre Only)	Add Suffix to Part Number, -DS Double Sided, -R Pictograph, L (Left) or R (Right) ie. CCFLED-TH-DS-R			

POWER, LAMPS AND BATTERY	TS	LP	L10
Power Consumption (Standby / Max)	1.1W / 2.0W	2.7W / 5.1W	2.7W / 4.5W
Lamp(s)	50,000 Hour LEDs	100,000 Hour LEDs	
Battery	Lithium Iron Phosphate		Lithium Nanophosphate®
Voltage (V) / Capacity (mAh)	3.2V / 600mAh	3.2V / 1500mAh	3.3V / 2500mAh
Charging Method	Intelligent Current Limited Constant Voltage		

TECHNICAL SPECIFICATIONS	
Operating Mode	Maintained
Voltage (V) Frequency (Hz)	220-240V (50Hz)
Construction- Body / Diffuser	ABS / PC
Viewing Distance	24m
Mounting Type	Wall & Ceiling (Single & Double Sided)
Operating Temperature	1°C to 40°C
IP Rating (IP)	IP20 (Weatherproof Version Available)

ACCESSORIES	TS	LP	L10
Cantilever Bracket	CLVRBRT-CF-WP	CLVRBRT-CF-WP	CLVRBRT-CF-WP
Wireguard (Wall Mount)	2530050	2530050	2530050
Wireguard (Ceiling Mount)	2530110	2530110	2530110
Boxlite Cover Plate	3542250	3542250	3542250

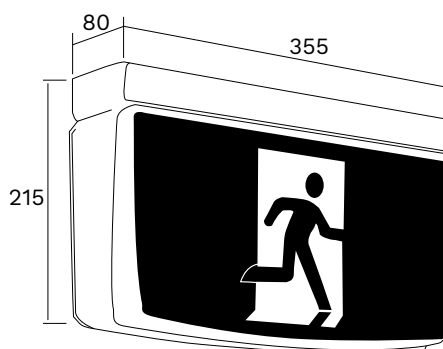
CLASSIFICATION	TS	LP	L10
C0	E2	E2.5	D6.3
C90	E2	E2	D5

SPACING TABLE AND MOUNTING HEIGHTS – AS/NZS 2293.1:2018 (MINIMUM LIGHT LEVEL OF 0.2 LUX)									
Classification	2.1m	2.4m	2.7m	3.0m	3.3m	3.6m	4.0m	4.5m	5.0m
E2	5.0	5.2	5.2	5.2	0.0	0.0	0.0	0.0	N/A
E2.5	5.4	5.6	5.8	5.8	5.8	0.0	0.0	0.0	0.0
D5	7.8	8.0	8.1	8.2	8.2	8.1	8.0	7.7	7.2
D6.3	8.5	8.8	8.9	9.1	9.1	9.2	9.1	9.0	8.7

For 1 lux and AS/NZS 2293.1:2005 spacing tables please visit:
<https://clevertronics.com.au/spacing-tables/>

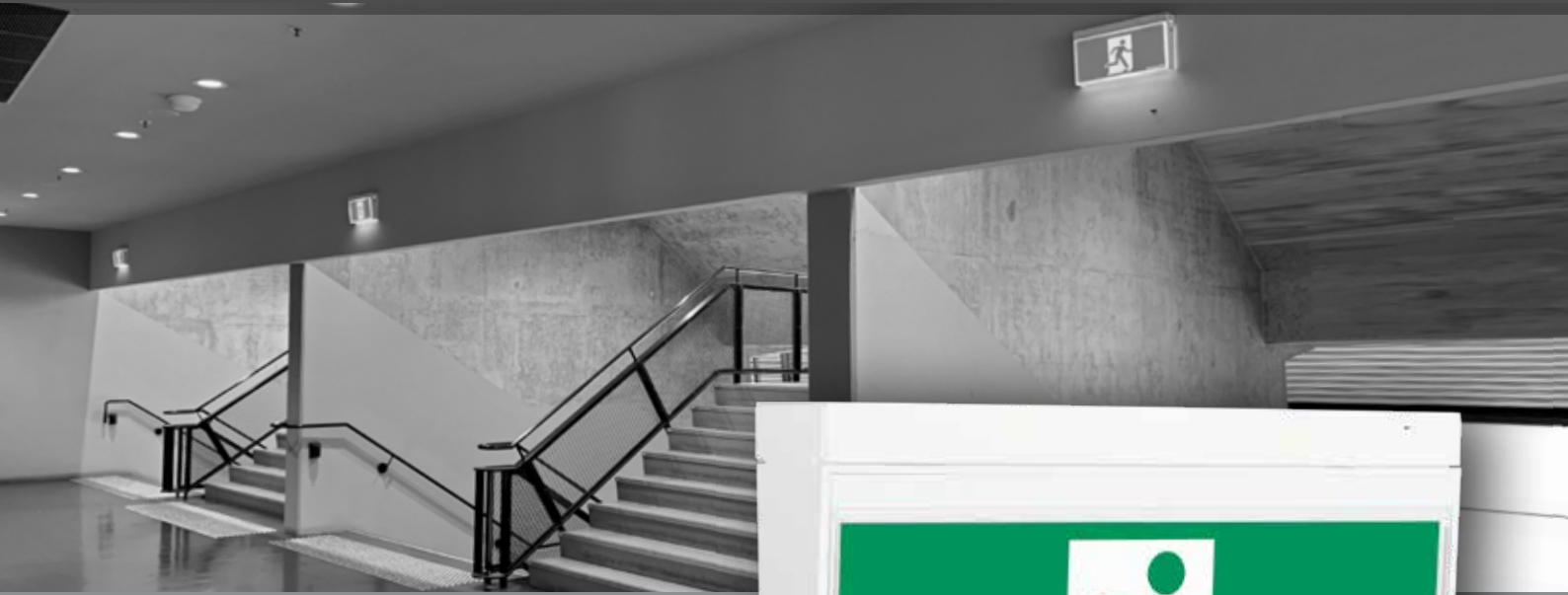
Based on minimum light level of 0.2 lux.
 Maximum allowed mounting height is 2.7m but for exceptions see AS/NZS 2293.1.
 Spacing classifications do not apply for theatre versions.

*Warranty information located at:
<https://clevertronics.com.au/warranty-statement/>



Dimensions (mm)

CLEVERFIT PRO EXIT



Modern and Slimline Architectural Exit

The Cleverfit Pro Exit offers a practical solution in a slimline, architecturally pleasing design. The tamper resistant cover makes it possible to include all diffuser combinations in one box for single or double sided applications.

With a slide connect steel bracket that can be both ceiling or wall mounted, it is easy to see why the Cleverfit Pro is a market leader.

Applications

- | | |
|---|--|
|  Office Buildings |  Shopping Centres |
|  Showrooms |  Retail Outlets |
|  Theatres |  Apartments |



Features and Benefits

- AS/NZS 2293.3 compliant
- Low 2.8W standby power consumption
- Wall and ceiling mount with easy slide connect
- Can be rod or chain suspended
- All directional decals in one box
- Lithium Iron Phosphate or Nanophosphate® battery
- Clevertest Plus System compatible
- Theatre version available



CLEVERFIT PRO EXIT

ORDERING INFORMATION		LP	L10
TEST OPTIONS / PART #	Standard	CCFPRO	LCFPRO
	Clevertest Plus System Compatible	Yes	Yes
	DALI	CCFPRO-DALI	LCFPRO-DALI
	Zoneworks® XT Hive	CCFPRO-HV	LCFPRO-HV
	Theatre Version	CCFPRO-TH	LCFPRO-TH
Carton Quantity	5		
Weight - Single (Carton)	2.5kg (15.0kg)		
Dimensions (L x W x H)	367mm x 72mm x 214mm		
Directional Options	All Directional Inserts Included (Excluding Theatre Versions)		
Directional Options (Theatre Only)	Add Suffix to Part Number, -DS Double Sided, -R Pictograph, L (Left) or R (Right) ie. CCFPRO-TH-DS-R		

* for additional variants please refer to the Clevertronics Product Guide or website.

POWER, LAMPS AND BATTERY	LP	L10
Power Consumption (Standby / Max)	2.8W / 3.9W	
Lamp(s)	100,000 Hour LED	
Battery	Lithium Iron Phosphate	Lithium Nanophosphate®
Voltage (V) / Capacity (mAh)	3.2V / 1100mAh	3.3V / 2500mAh
Charging Method	Intelligent Current Limited Constant Voltage	

TECHNICAL SPECIFICATIONS	
Operating Mode	Maintained
Voltage (V) Frequency (Hz)	220-240V(50Hz)
Construction - Body / Diffuser	PC-ABS / PC
Viewing Distance	24m
Mounting Type	Wall & Ceiling (Single & Double Sided)
Operating Temperature	1°C to 40°C
Ingress Protection Rating (IP)	IP20

ACCESSORIES	LP	L10
Cantilever Bracket	CLVRBRT-CFPRO	CLVRBRT-CFPRO
Wireguard (Wall Mount)	2530050	2530050
Wireguard (Ceiling Mount)	2530110	2530110

CLASSIFICATION	LP	L10
C0	D3.2	D3.2
C90	B16	B16

SPACING TABLE AND MOUNTING HEIGHTS - AS/NZS 2293.1:2018 (MINIMUM LIGHT LEVEL OF 0.2 LUX)									
Classification	2.1m	2.4m	2.7m	3.0m	3.3m	3.6m	4.0m	4.5m	5.0m
D3.2	6.5	6.5	6.5	6.5	6.3	6.1	5.8	0.0	0.0
B16	6.4	6.8	7.2	7.6	7.9	8.2	8.6	9.0	9.3

For 1 lux and AS/NZS 2293.1:2005 spacing tables please visit:
<https://clevertronics.com.au/spacing-tables/>

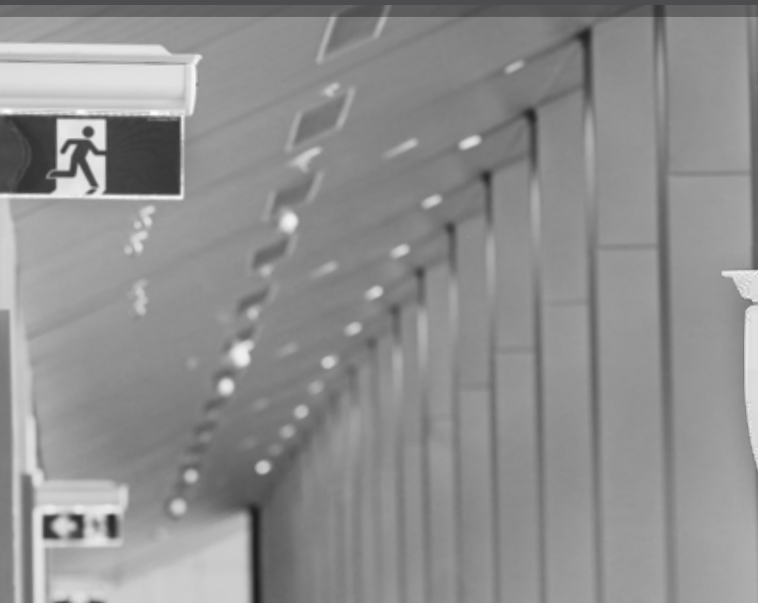
Based on minimum light level of 0.2 lux.
 Maximum allowed mounting height is 2.7m but for exceptions see AS/NZS 2293.1.
 Spacing classifications do not apply for theatre versions.

*Warranty information located at:
<https://clevertronics.com.au/warranty-statement/>



Dimensions (mm)

SWINGBLADE EXIT



Universal Blade Style Exit

The Swingblade Exit is a universal, blade style exit that meets architectural requirements for a premium style exit without sacrificing ease of installation and long service life.

The Swingblade Exit uses a flat panel diffuser with drop-in legend inserts secured by a patented tamper proof legend cover. All diffuser combinations of single-sided and double-sided, 'EXIT' or 'Pictograph' options can be configured on site from one box.

With Lithium Iron Phosphate and Nanophosphate® battery technology, our premium LED fittings are the most reliable, low maintenance energy efficient exits on the market.

Applications



Features and Benefits

- AS/NZS 2293.3 compliant
- Low 2.8W standby power consumption
- Wall or ceiling mounted
- All directional decals in one box
- Lithium Iron Phosphate or Nanophosphate® battery
- Clevertest Plus System compatible
- Theatre version available



SWINGBLADE EXIT

ORDERING INFORMATION		LP	L10
TEST OPTIONS / PART #	Standard	CSBLED	LSBLED
	Clevertest Plus System Compatible	Yes	Yes
	DALI	CSBLED-DALI	LSBLED-DALI
	Zoneworks® XT Hive	CSBLED-HV	LSBLED-HV
	Theatre Version	CSBLED-TH	LSBLED-TH
Carton Quantity	6		
Weight - Single (Carton)	2.6kg (17kg)		
Dimensions (L x W x H)	435mm x 90mm x 263mm - Ceiling Mounted 435mm x 90mm x 230mm - Wall Mounted		
Directional Options	All Directional Inserts Included (Excluding Theatre Versions)		
Directional Options (Theatre Only)	Add Suffix to Part Number, -DS Double Sided, -R Pictograph, L (Left) or R (Right) ie. CSBLED-TH-DS-R		

POWER, LAMPS AND BATTERY	LP	L10
Power Consumption (Standby / Max)	3.8W / 5.6W	3.8W / 5.6W
Lamp(s)	24 x High Intensity LED, 100,000 Hour	
Battery	Lithium Iron Phosphate	Lithium Nanophosphate®
Voltage (V) / Capacity (mAh)	3.2V / 3200mAh	3.3V / 2500mAh
Charging Method	Intelligent Current Limited Constant Voltage	

TECHNICAL SPECIFICATIONS	
Operating Mode	Maintained
Voltage (V) Frequency (Hz)	220-240V(50Hz)
Construction - Body / Diffuser	Metal Frame, Acrylic & Polycarbonate Diffuser
Viewing Distance	24m
Mounting Type	Wall & Ceiling (Single & Double Sided)
Operating Temperature	1°C to 40°C
Ingress Protection Rating (IP)	IP20

ACCESSORIES	LP	L10
Cantilever Bracket (White)	CLVRBRT-SWINGBLADE	
Cantilever Bracket (Black)	CLVRBRT-SWINGBLADE-BLK	

CLASSIFICATION	LP	L10
C0	D6.3	D6.3
C90	E3.2	E3.2

SPACING TABLE AND MOUNTING HEIGHTS – AS/NZS 2293.1:2018 (MINIMUM LIGHT LEVEL OF 0.2 LUX)									
Classification	2.1m	2.4m	2.7m	3.0m	3.3m	3.6m	4.0m	4.5m	5.0m
D6.3	6.0	6.2	6.4	6.6	6.6	6.6	5.8	0.0	.0.0
E3.2	6.0	6.2	6.4	6.6	6.6	6.6	5.8	0.0	.0.0

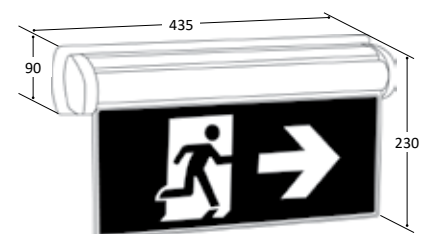
For 1 lux and AS/NZS 2293.1:2005 spacing tables please visit: <https://clevertronics.com.au/spacing-tables/>

Based on minimum light level of 0.2 lux.
Maximum allowed mounting height is 2.7m but for exceptions see AS/NZS 2293.1.
Spacing classifications do not apply for theatre versions.

*Warranty information located at:
<https://clevertronics.com.au/warranty-statement/>



1



2

Dimensions (mm)

Product Configuration:

- 1 Ceiling Mounted
- 2 Wall Mounted

NOTE: If product is suspended below the Ceiling or Mounted on a metal surface the Swingblade bracket cover plate accessory (P/N:2740102) is required to cover the mains terminals.

ULTRABLADE PRO SURFACE MOUNT EXIT



Surface Mounted Architectural Blade Exit

The sophisticated look and design of the Ultrablade Pro Surface Mount Exit will satisfy all architectural requirements for a premium surface mounted exit.

With a reduced reflection, halo effect on the diffuser with a decal that is scratch and fingerprint resistant, it is no wonder the Ultrablade Pro is the industry standard for an architectural blade exit.

Applications



Office Buildings



Shopping Centres



Galleries



Retail Outlets



Theatres



Apartments

TRADE
S E R I E S
THE TRADES CHOICE

LP LITHIUM IRON PHOSPHATE
PREMIUM
PREMIUM PROJECT PERFORMANCE

L10 LITHIUM NANOPHOSPHATE*
OPTIMUM
NOTHING ELSE COMPETES WITH NANOPHOSPHATE*

Features and Benefits

- AS/NZS 2293.3 compliant
- Low 1.4W to 1.8W standby power consumption
- Wall and ceiling mount
- All directional decals in one box
- Lithium Iron Phosphate or Nanophosphate® battery
- Clevertest Plus System compatible
- Theatre version available



ULTRABLADE PRO SURFACE MOUNT EXIT

ORDERING INFORMATION		TS	LP	L10
TEST OPTIONS / PART #	Standard	EUBPRO-SM-LI	CUBPRO-SM	LUBPRO-SM
	Clevertest Plus System Compatible	No	Yes	
	Wall Mount Flag Style	-	CUBPRO-SM-V	LUBPRO-SM-V
	DALI	-	CUBPRO-SM-DALI	LUBPRO-SM-DALI
	Zoneworks® XT Hive	-	CUBPRO-SM-HV	LUBPRO-SM-HV
	Theatre Version	No	CUBPRO-SM-TH	LUBPRO-SM-TH
	Carton Quantity	5		
Weight - Single (Carton)	1.0kg (5kg)			
Dimensions (L x W x H)	317mm x 8.7mm x 157mm - Blade Assembly 360mm x 47mm x 72mm - Base			
Directional Options	All Directional Inserts Included (Excluding Theatre Versions)			
Directional Options (Theatre Only)	-	Add Suffix to Part Number, -DS Double Sided, -R Pictograph, L (Left) or R (Right) ie. CUBPRO-SM-TH-DS-R		

POWER, LAMPS AND BATTERY	TS	LP	L10
Power Consumption (Standby / Max)	1.8W / 2.8W	1.4W / 3.7W	
Lamp(s)	50,000 Hour LED	100,000 Hour LED	
Battery	Lithium Iron Phosphate		Lithium Nanophosphate®
Voltage (V) / Capacity (mAh)	3.2V / 1100mAh		3.3V / 2500mAh
Charging Method	Intelligent Current Limited Constant Voltage		

TECHNICAL SPECIFICATIONS	
Operating Mode	Maintained
Voltage (V) Frequency (Hz)	220-240V (50Hz)
Construction - Body / Diffuser	PC-ABS / PC
Viewing Distance	24m
Mounting Type	Single & Double Sided, Surface Mount Ceiling (Rod Suspended)
Operating Temperature	1°C to 40°C
IP Rating (IP)	IP20

ACCESSORIES	
Cantilever Bracket	CLVRBRT-UBPRO
Cantilever Bracket (Black)	CLVRBRT-UBPRO-BLK

CLASSIFICATION	TS	LP	L10
C0	E6.3	E6.3	E6.3
C90	E6.3	E6.3	E6.3
C0 - Flag Style	-	E1	B1
C90 - Flag Style	-	E1	B1

SPACING TABLE AND MOUNTING HEIGHTS – AS/NZS 2293.1:2018 (MINIMUM LIGHT LEVEL OF 0.2 LUX)									
Classification	2.1m	2.4m	2.7m	3.0m	3.3m	3.6m	4.0m	4.5m	5.0m
B1	2.4	0.0	0.0	0.0	-	-	-	-	-
E6.3	6.9	7.4	7.9	8.2	8.5	8.8	9.1	9.2	9.3
E1	3.7	0.0	0.0	0.0	-	-	-	-	-

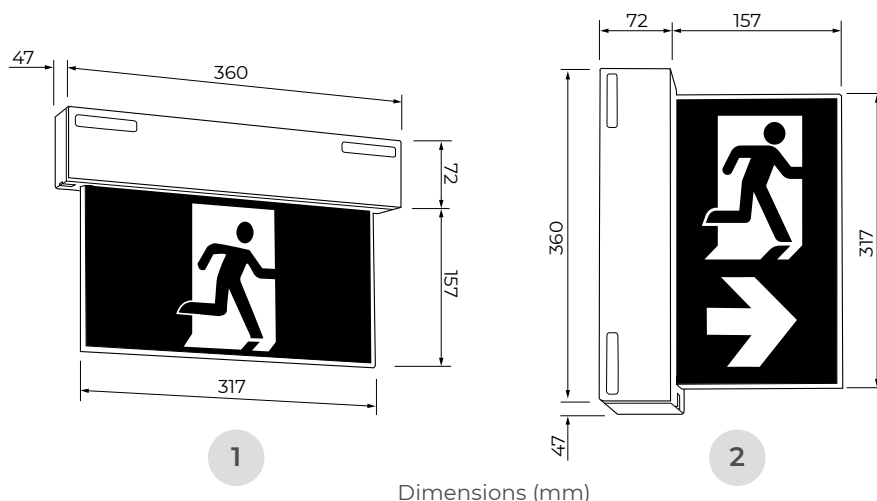
For 1 lux and AS/NZS 2293.1:2005 spacing tables please visit:
<https://clevertronics.com.au/spacing-tables/>

Based on minimum light level of 0.2 lux. Maximum allowed mounting height is 2.7m but for exceptions see AS/NZS 2293.1. Spacing classifications do not apply for theatre versions.

*Warranty information located at:
<https://clevertronics.com.au/warranty-statement/>

Product Configuration:

- 1 Surface Mount
- 2 Surface Mount (Wall Mount Flag Style)



Dimensions (mm)

ULTRABLADE PRO RECESSED EXIT



Recessed Architectural Blade Exit

The sophisticated look and design of the Ultrablade Pro will satisfy all architectural requirements for a premium recessed exit.

With its low profile design, only 80mm of ceiling space is required during installation, combine this with a reduced reflection and halo effect on the diffuser and a decal that is scratch and fingerprint resistant. It is no wonder the Ultrablade Pro is the industry standard for an architectural blade exit.

Applications

- | | |
|---|--|
|  Office Buildings |  Shopping Centres |
|  Galleries |  Retail Outlets |
|  Theatres |  Apartments |

TRADE
S E R I E S
THE TRADES CHOICE

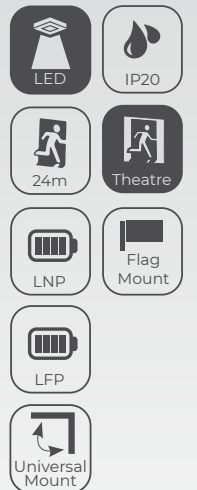
LP LITHIUM IRON PHOSPHATE
PREMIUM
PREMIUM PROJECT PERFORMANCE

L10 LITHIUM NANOPHOSPHATE®
OPTIMUM
NOTHING ELSE COMPETES WITH NANOPHOSPHATE®



Features and Benefits

- AS/NZS 2293.3 compliant
- Low 1.4W to 1.8W standby power consumption
- Recessed mount
- All directional decals in one box
- Lithium Iron Phosphate or Nanophosphate® battery
- Clevertest Plus System compatible
- Theatre version available



ULTRABLADE PRO RECESSED EXIT

ORDERING INFORMATION		TS	LP	L10
TEST OPTIONS / PART #	Standard	EUBPRO-LI	CUBPRO	LUBPRO
	Clevertest Plus System Compatible	No	Yes	Yes
	Wall Mount Flag Style	-	CUBPRO-V	LUBPRO-V
	DALI	-	CUBPRO-DALI	LUBPRO-DALI
	Zoneworks® XT Hive	-	CUBPRO-HV	LUBPRO-HV
	Theatre Version	No	CUBPRO-TH	LUBPRO-TH
Carton Quantity	5			
Weight - Single (Carton)	1.1kg (5.5kg)			
Dimensions (L x W x H)	317mm x 8.7mm x 157mm - Blade Assembly 385mm x 67mm - Cover Plate 350mm x 48mm - Ceiling Cutout			
Directional Options	All Directional Inserts Included (Excluding Theatre Versions)			
Directional Options (Theatre Only)	-	Add Suffix to Part Number, -DS Double Sided, -R Pictograph, L (Left) or R (Right) ie. CUBPRO-TH-DS-R		

POWER, LAMPS AND BATTERY	TS	LP	L10
Power Consumption (Standby / Max)	1.8W / 2.8W	1.4W / 3.7W	
Lamp(s)	50,000 Hour LED	100,000 Hour LED	
Battery	Lithium Iron Phosphate		Lithium Nanophosphate®
Voltage (V) / Capacity (mAh)	3.2V / 1100mAh	3.2V / 1500mAh	3.3V / 2500mAh
Charging Method	Intelligent Current Limited Constant Voltage		

TECHNICAL SPECIFICATIONS	
Operating Mode	Maintained
Voltage (V) Frequency (Hz)	220-240V (50Hz)
Construction - Body / Diffuser	PC-ABS / PC
Viewing Distance	24m
Mounting Type	Single & Double Sided
Operating Temperature	1°C to 40°C
IP Rating (IP)	IP20

ACCESSORIES	TS	LP	L10
Mounting Adaptor for Ultrablade	2740054	2740054	2740054

CLASSIFICATION	TS	LP	L10
C0	E5	E6.3	E6.3
C90	E5	E6.3	E6.3
C0 - Flag Style	-	E1.25	B1.25
C90 - Flag Style	-	E1.25	B1.25

SPACING TABLE AND MOUNTING HEIGHTS - AS/NZS 2293.1:2018 (MINIMUM LIGHT LEVEL OF 0.2 LUX)									
Classification	2.1m	2.4m	2.7m	3.0m	3.3m	3.6m	4.0m	4.5m	5.0m
B1.25	2.7	2.6	0.0	0.0	0.0	-	-	-	-
E5	6.6	7.0	7.4	7.7	7.9	8.1	8.2	8.2	8.0
E6.3	6.9	7.4	7.9	8.2	8.5	8.8	9.1	9.2	9.3
E1.25	4.1	4.1	0.0	0.0	0.0	0.0	-	-	-

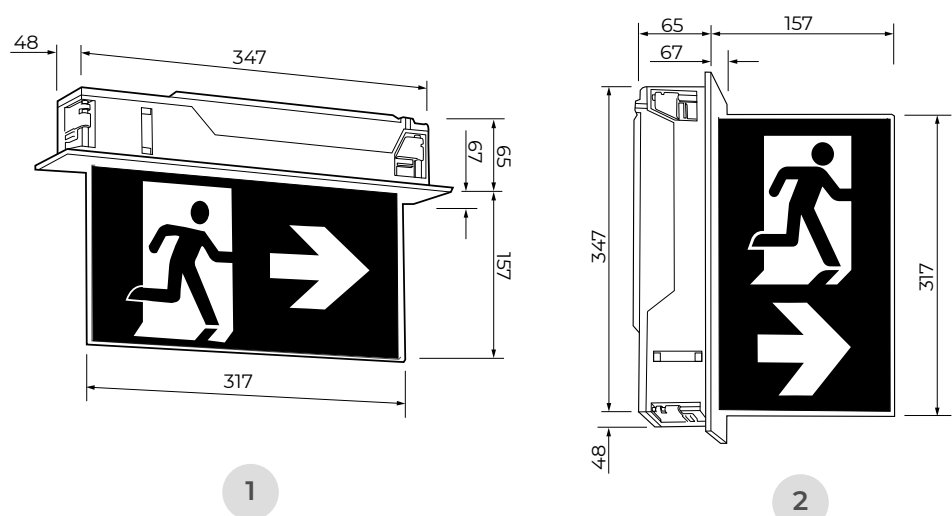
For 1 lux and AS/NZS 2293.1:2005 spacing tables please visit: <https://clevertronics.com.au/spacing-tables/>

Based on minimum light level of 0.2 lux. Maximum allowed mounting height is 2.7m but for exceptions see AS/NZS 2293.1. Spacing classifications do not apply for theatre versions.

*Warranty information located at: <https://clevertronics.com.au/warranty-statement/>

Product Configuration:

- 1 Recessed (Standard)
- 2 Recessed (Wall Mount Flag Style)



Dimensions (mm)

ULTRABLADE PRO ROD SUSPENDED EXIT



Rod Suspended Architectural Blade Exit

The Ultrablade Pro Rod Suspended Exit is ideal for high ceiling applications where a sophisticated premium outcome is required.

Each directional decal is scratch and fingerprint resistant to ensure a clean and consistent outcome.

The 1.5m rods can be customised to suit lower ceiling heights where required.

Applications



Office Buildings



Shopping Centres



Galleries



Retail Outlets



Theatres



Apartments



Features and Benefits

- AS/NZS 2293.3 compliant
- Low 1.4W standby power consumption
- Steel rods supplied with fitting
- All directional decals in one box
- Lithium Nanophosphate® battery
- Clevertest Plus System compatible
- Theatre version available



ULTRABLADE PRO ROD SUSPENDED EXIT

		L10	
ORDERING INFORMATION		ROD SUSPENDED (SURFACE MOUNT)	ROD SUSPENDED (RECESSED)
TEST OPTIONS / PART#	Standard	LUBPRO-SM-RS	LUBPRO-RS
	Clevertest Plus System Compatible	Yes	
	DALI	LUBPRO-SM-RS-DALI	LUBPRO-RS-DALI
	Zoneworks® XT Hive	LUBPRO-SM-RS-HV	LUBPRO-RS-HV
Carton Quantity	1		
Weight - Single (Carton)	1.5kg		
Dimensions (L x W x H)	Blade Assembly: 317mm x 8.7mm x 157mm Ceiling Mount Control Gear Enclosure: 360mm x 47mm x 72mm Rod Length: 1500mm	Blade Assembly: 317mm x 8.7mm x 157mm Recessed Control Gear Enclosure: 347mm x 48mm x 65mm Cover Plate: 385mm x 67mm Rod Length: 1500mm	
Directional Options	All Directional Inserts Included		

POWER, LAMPS AND BATTERY		L10
Power Consumption (Standby / Max)	1.4W / 3.7W	
Lamp(s)	100,000 Hours	
Battery	Lithium Nanophosphate®	
Voltage (V) / Capacity (mAh)	3.3V / 2500mAh	
Charging Method	Intelligent Current Limited Constant Voltage	

TECHNICAL SPECIFICATIONS	
Operating Mode	Maintained
Voltage (V) (Frequency (Hz))	220-240V (50Hz)
Construction	PC/ABS Body with PC Diffuser
Viewing Distance	24m
Operating Temperature	1°C to 40°C
Ingress Protection Rating (IP)	IP20

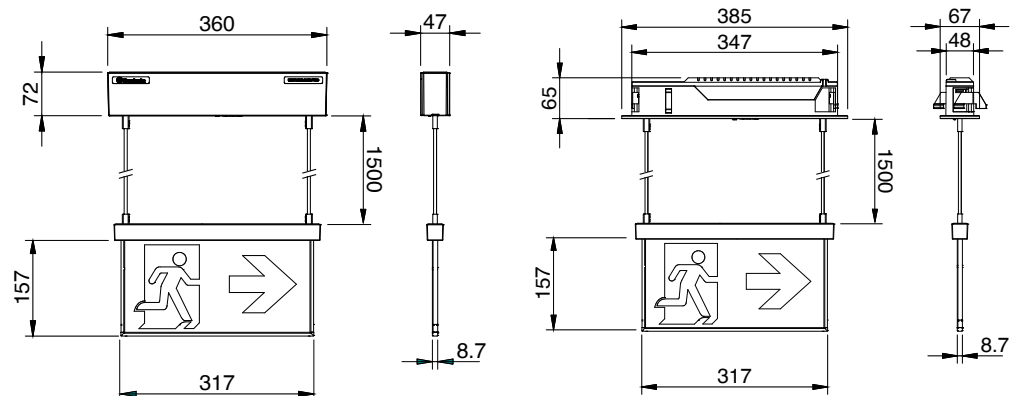
CLASSIFICATION	L10	
	SURFACE MOUNT	RECESSED
C0	E5	E5
C90	E5	E5

SPACING TABLE AND MOUNTING HEIGHTS – AS/NZS 2293.1:2018 (MINIMUM LIGHT LEVEL OF 0.2 LUX)									
Classification	2.1m	2.4m	2.7m	3.0m	3.3m	3.6m	4.0m	4.5m	5.0m
E5	6.6	7.0	7.4	7.7	7.9	8.1	8.2	8.2	8.0

For 1 lux and AS/NZS 2293.1:2005 spacing tables please visit: <https://clevertronics.com.au/spacing-tables/>

Based on minimum light level of 0.2 lux.
Maximum allowed mounting height is 2.7m but for exceptions see AS/NZS 2293.1.
Spacing classifications do not apply for theatre versions.

*Warranty information located at:
<https://clevertronics.com.au/warranty-statement/>



Product Configuration:

- 1 Rod Suspended (Surface Mount)
- 2 Rod Suspended (Recessed)

1 Ceiling hole cut-out = 350mm x 48mm
2
Dimensions (mm)

BOXLITE EXIT



Conventional Exit for Quick Retrofits

The Boxlite Exit is a conventional style LED exit with a detachable base plate that makes retrofitting on existing sites easy work, and can be easily changed between maintained to non-maintained modes via the test button.

Available as a wall or ceiling mount model and supplied with all directional combinations in each box.



Applications



Office Buildings



Schools



Factories



Retail Outlets



Car Parks



Apartments

TRADE

S E R I E S

THE TRADES CHOICE

Features and Benefits

- AS/NZS 2293.3 compliant
- Wall or ceiling mount
- Maintained or non-maintained operation
- All directional decals in one box
- Lithium Iron Phosphate battery



BOXLITE EXIT

ORDERING INFORMATION	TS CEILING MOUNT ①	TS WALL MOUNT ②
Standard	EBLLED-CM-LI	EBLLED-WM-LI
Clevertest Plus System Compatible	No	
Carton Quantity	5	
Weight - Single (Carton)	1.5kg (7.5kg)	
Dimensions (L x W x H)	375mm x 160mm x 240mm	375mm X 105mm X 160mm
Directional Options	All Directional Inserts Included	

POWER, LAMPS AND BATTERY	TS CEILING MOUNT ①	TS WALL MOUNT ②
Power Consumption (Standby / Max)	1.4W / 2.3W	
Lamp(s)	50,000 Hours LED	
Battery	Lithium Iron Phosphate	
Voltage (V) / Capacity (mAh)	3.2V / 1100mAh	
Charging Method	Intelligent Current Limited Constant Voltage	

TECHNICAL SPECIFICATIONS		
Operating Mode	Maintained	
Voltage (V) Frequency (Hz)	220-240V (50Hz)	
Construction - Body / Diffuser	ABS / PC	
Viewing Distance	24m	
Mounting Type	Ceiling Single or Double Sided	Wall Single Sided
Operating Temperature	1°C to 40°C	
Ingress Protection Rating (IP)	IP20	

ACCESSORIES	TS CEILING MOUNT ①	TS WALL MOUNT ②
Cantilever Bracket (Ceiling)	3562090	3562090
Wireguard (Wall Mount)	2530050	2530050
Wireguard (Ceiling Mount)	2530110	2530110

CLASSIFICATION	TS CEILING MOUNT ①	TS WALL MOUNT ②
C0	D3.2	E2
C90	D3.2	E2

SPACING TABLE AND MOUNTING HEIGHTS – AS/NZS 2293.1:2018 (MINIMUM LIGHT LEVEL OF 0.2 LUX)									
Classification	2.1m	2.4m	2.7m	3.0m	3.3m	3.6m	4.0m	4.5m	5.0m
E2	5.0	5.2	5.2	5.2	0.0	0.0	0.0	0.0	0.0
D3.2	6.5	6.5	6.5	6.5	6.3	6.1	5.8	0.0	0.0

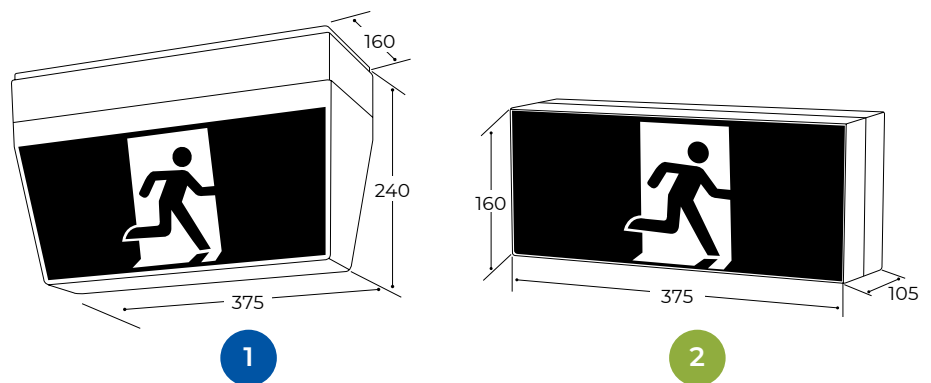
For 1 lux and AS/NZS 2293.1:2005 spacing tables please visit: <https://clevertronics.com.au/spacing-tables/>

Based on minimum light level of 0.2 lux.
Maximum allowed mounting height is 2.7m but for exceptions see AS/NZS 2293.1.
Spacing classifications do not apply for theatre versions.

*Warranty information located at:
<https://clevertronics.com.au/warranty-statement/>

Product Configuration:

- ① Ceiling Mount
- ② Wall Mount



Dimensions (mm)

JUMBO LED EXIT



40m Viewing Distance Exit

The Jumbo LED Exit caters for 40m viewing distance applications by using a 250mm high pictograph.

Featuring a robust steel housing with slide in diffusers and back plates for single and double sided configurations, the Jumbo LED Exit is easy to install as a wall or ceiling mounted exit.



Applications



Warehouses



Stadiums



Factories



Halls



Car Parks



Train Stations

Features and Benefits

- AS/NZS 2293.3 compliant
- Wall and ceiling mount
- Can be rod or chain suspended
- All directional decals in one box
- Lithium Iron Phosphate or Nanophosphate® battery
- Cleverest Plus System compatible



TRADE
S E R I E S
THE TRADES CHOICE

LP LITHIUM IRON PHOSPHATE
PREMIUM
PREMIUM PROJECT PERFORMANCE

L10 LITHIUM NANOPHOSPHATE®
OPTIMUM
NOTHING ELSE COMPETES WITH NANOPHOSPHATE®

JUMBO LED EXIT

ORDERING INFORMATION		TS	LP	L10
TEST OPTIONS / PART #	Standard	EJELED-40-LI	CJELED-40	LJELED-40
	Clevertest Plus System Compatible	No	Yes	Yes
	DALI	-	CJELED-40-DALI	LJELED-40-DALI
	Zoneworks® XT Hive	-	CJELED-40-HV	LJELED-40-HV
Carton Quantity	1			
Weight - Single (Carton)	7.3kg			
Dimensions (L x W x H)	630mm x 100mm x 320mm			
Directional Options	All Directional Inserts Included in the Box			

POWER, LAMPS AND BATTERY	TS	LP	L10
Power Consumption (Standby / Max)	5.3W / 6.5W	3.2W / 5.6W	
Lamp(s)	50,000 Hour LED	100,000 Hour LED	
Battery Type	Lithium Iron Phosphate		Lithium Nanophosphate®
Voltage (V) / Capacity (mAh)	3.2V / 3000mAh	3.2V / 3200mAh	3.3V / 2500mAh
Charging Method	Intelligent Current Limited Constant Voltage		

TECHNICAL SPECIFICATIONS	
Operating Mode	Maintained
Voltage (V) (Frequency (Hz))	220-240V (50Hz)
Construction - Body / Diffuser	Powder Coated Metal / Acrylic
Viewing Distance	40m
Mounting Type	Wall & Ceiling Single & Double Sided
Operating Temperature	1°C to 40°C
Ingress Protection Rating (IP)	IP20 (IP66/67 Version Available)

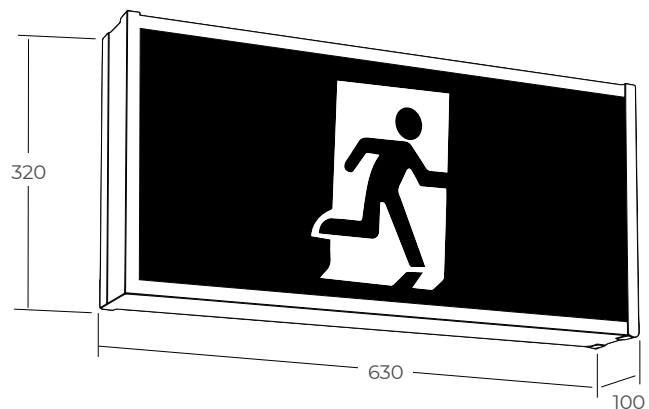
CLASSIFICATION	TS	LP	L10
C0	D6.3	D6.3	D6.3
C90	E3.2	E3.2	E3.2

SPACING TABLE AND MOUNTING HEIGHTS – AS/NZS 2293.1:2018 (MINIMUM LIGHT LEVEL OF 0.2 LUX)									
Classification	2.1m	2.4m	2.7m	3.0m	3.3m	3.6m	4.0m	4.5m	5.0m
D6.3	8.5	8.8	8.9	9.1	9.1	9.2	9.1	9.0	8.7
E3.2	5.8	6.1	6.4	6.5	6.6	6.6	6.4	0.0	0.0

For 1 lux and AS/NZS 2293.1:2005 spacing tables please visit: <https://clevertronics.com.au/spacing-tables/>

Based on minimum light level of 0.2 lux.
Maximum allowed mounting height is 2.7m but for exceptions see AS/NZS 2293.1.
Spacing classifications do not apply for theatre versions.

*Warranty information located at:
<https://clevertronics.com.au/warranty-statement/>



Dimensions (mm)

GIGANTOR EXIT



80m Viewing Distance Exit

The Gigantor Exit caters for applications requiring viewing distances of up to 80m.

With LED and Lithium battery technology the Gigantor is perfect for stadiums and large hall usage. Featuring a robust steel housing with a 510mm high pictograph that is designed to be wall mounted.



Applications



Factories



Stadiums



Warehouses



Halls

LP LITHIUM IRON PHOSPHATE
PREMIUM
PREMIUM PROJECT PERFORMANCE

Features and Benefits

- AS/NZS 2293.3 compliant
- Wall mount
- Can be rod or chain suspended
- Lithium Iron Phosphate battery
- Clevertest Plus System compatible



GIGANTOR EXIT

ORDERING INFORMATION		LP
TEST OPTIONS / PART #	Standard	CGELED-80-WM-R
	Clevertest Plus System Compatible	Yes
	DALI	CGELED-80-WM-DALI-R
	Zoneworks® XT Hive	CGELED-80-WM-HV-R
Carton Quantity	1	
Weight - Single (Carton)	21kg	
Dimensions (L x W x H)	1305mm x 170mm x 560mm	
Directional Options	Must Specify Diffuser Combination	

POWER, LAMPS AND BATTERY		LP
Power Consumption (Standby / Max)	23W / 30W	
Lamp(s)	100,000 Hours LED 2 x 3W LED	
Battery Type	Lithium Iron Phosphate	
Voltage (V) / Capacity (mAh)	1 x 3.2V / 6400mAh 1 x 6.4V / 3200mAh	
Charging Method	Intelligent Current Limited Constant Voltage	

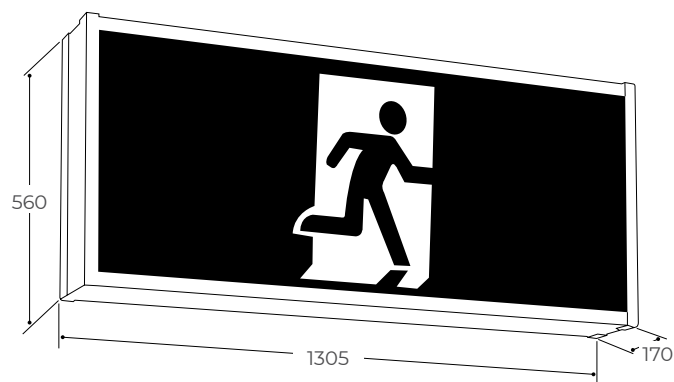
TECHNICAL SPECIFICATIONS		CLASSIFICATION	LP
Operating Mode	Maintained	C0	D80
Voltage (V) Frequency (Hz)	220-240V (50Hz)	C90	D80
Construction - Body / Diffuser	Powder Coated Metal / Acrylic		
Viewing Distance	80m		
Mounting Type	Wall Single Sided		
Operating Temperature	1°C to 40°C		
Ingress Protection Rating (IP)	IP20		

SPACING TABLE AND MOUNTING HEIGHTS – AS/NZS 2293.1:2018 (MINIMUM LIGHT LEVEL OF 0.2 LUX)									
Classification	2.1m	2.4m	2.7m	3.0m	3.3m	3.6m	4.0m	4.5m	5.0m
D80	11.5	13.2	14.8	16.5	18.1	19.8	-	-	-

For 1 lux and AS/NZS 2293.1:2005 spacing tables please visit: <https://clevertronics.com.au/spacing-tables/>

Based on minimum light level of 0.2 lux.
Maximum allowed mounting height is 2.7m but for exceptions see AS/NZS 2293.1.
Spacing classifications do not apply for theatre versions.

*Warranty information located at:
<https://clevertronics.com.au/warranty-statement/>



Dimensions (mm)

The product details described in this document are current as at the version date of the document. We reserve the right to change product design, specifications or materials (Specifications) as part of our continuous improvement program. Images are indicative only. Please confirm the applicable Specifications at the time of placing your order.

WEATHERPROOF WALL MOUNT EXIT



Weatherproof and Robust Wall Mount

The Weatherproof Wall Mount Exit is ideal for applications that require an IP66/67 rated exit that is available in a 24m viewing distance.

Fitted with 100K hour LEDs and built with a robust polycarbonate base and diffuser it is perfect for applications in warehouses, factories and stadiums.



Applications



Schools



Public Amenities



Factories



Stadiums



Car Parks



Warehouses

Features and Benefits

- AS/NZS 2293.3 compliant
- Wall mount
- Lithium Iron Phosphate or Nanophosphate® battery
- Clevertest Plus System compatible



WEATHERPROOF WALL MOUNT EXIT

ORDERING INFORMATION		LP	L10
TEST OPTIONS / PART#	Standard	CWELED-WM	LWELED-WM
	Clevertest Plus System/ Self-Test Capable	Yes	
	DALI	CWELED-DALI-WM	LWELED-DALI-WM
	Zoneworks® XT Hive	CWELED-HV-WM	LWELED-HV-WM
Carton Quantity	4		
Weight - Single (Carton)	2.8kg (14kg)	2.8kg (14kg)	
Dimensions (L x W x H)	380mm x 130mm x 190mm	380mm x 130mm x 190mm	
Directional Options	All Directional Inserts Included		

POWER, LAMPS AND BATTERY	LP	L10
Power Consumption (Standby / Max)	2.7W / 5.1W	2.5W / 4.8W
Lamp(s)	100,000hrs LEDs	
Battery	Lithium Iron Phosphate	Lithium Nanophosphate®
Voltage (V) / Capacity (mAh)	3.2V / 1500mAh	3.3V / 2500mAh
Charging Method	Intelligent Current Limited Constant Voltage	

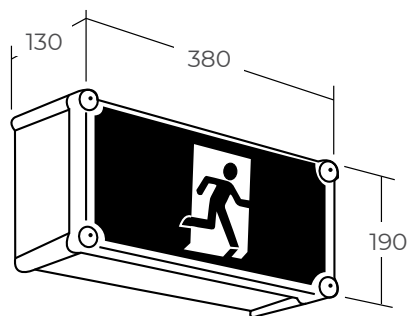
TECHNICAL SPECIFICATIONS	CLASSIFICATION	
	LP	L10
Operating Mode	Maintained	
Voltage (V) Frequency (Hz)	240V AC / 50Hz	
Construction - Body / Diffuser	PC / PC	
Mounting Type	Wall Mount Single Sided	
Operating Temperature	0°C to 40°C	
Ingress Protection Rating (IP)	IP66/67	
Impact Rating (IK)	IK08 (Side) & IK09 (Front)	
	C0	E1.6
	C90	E1.6

SPACING TABLE AND MOUNTING HEIGHTS – AS/NZS 2293.1:2018 (MINIMUM LIGHT LEVEL OF 0.2 LUX)									
Classification	2.1m	2.4m	2.7m	3.0m	3.3m	3.6m	4.0m	4.5m	5.0m
E1.6	4.6	4.7	4.6	0.0	0.0	0.0	0.0	N/A	N/A

For 1 lux and AS/NZS 2293.1:2005 spacing tables please visit: <https://clevertronics.com.au/spacing-tables/>

Based on minimum light level of 0.2 lux. Maximum allowed mounting height is 2.7m but for exceptions see AS/NZS 2293.1. Spacing classifications do not apply for theatre versions.

*Warranty information located at: <https://clevertronics.com.au/warranty-statement/>



Dimensions (mm)

WEATHERPROOF UNIVERSAL EXIT



Weatherproof and Easy to Install

The Weatherproof Universal Exit offers a cost effective solution for applications that require an IP66/67 rated exit. Mounting can be either wall or ceiling with the option of single or double sided decals.

Built with a polycarbonate clear cover and nylon base that is tested to an impact rating of IK10 it is easy to see why it is a popular choice for weatherproof applications.

Applications



Schools



Public Amenities



Factories



Stadiums



Car Parks



Warehouses

TRADE

S E R I E S

THE TRADES CHOICE

LP LITHIUM IRON PHOSPHATE

PREMIUM

PREMIUM PROJECT PERFORMANCE

L10 LITHIUM NANOPHOSPHATE*

OPTIMUM

NOTHING ELSE COMPETES WITH NANOPHOSPHATE*



Features and Benefits

- AS/NZS 2293.3 compliant
- Wall or ceiling mount
- Can be rod or chain suspended
- All directional decals in one box
- Lithium Iron Phosphate or Nanophosphate® battery
- CleverTest Plus System compatible
- Theatre version available



LED



IP66/67



24m



IK10



LNP



Theatre



LFP



Universal Mount

WEATHERPROOF UNIVERSAL EXIT

ORDERING INFORMATION		TS ¹	LP ¹	L10 ¹
TEST OPTIONS / PART #	Standard	EWELED-LI	CWELED	LWELED
	Clevertest / Self-Test Capable	No	Yes	Yes
	DALI	-	CWELED-DALI	LWELED-DALI
	Zoneworks® XT Hive	-	CWELED-HV	LWELED-HV
	Classic Version	-	-	LCWELED-R ²
Carton Quantity	4			
Weight - Single (Carton)	2.8kg (11.2kg)			
Dimensions (L x W x H)	410mm x 100mm x 272mm			
Directional Options	All Directional Inserts Included (Excluding theatre versions)			

POWER, LAMPS AND BATTERY	TS	LP	L10
Power Consumption (Standby/Max)	1.1W / 2.0W	2.7W / 5.1W	
Lamp(s)	50,000 Hours LEDs	100,000 Hours LEDs	
Battery	Lithium Iron Phosphate		Lithium Nanophosphate®
Voltage (V) / Capacity (mAh)	3.2V / 600mAh	3.2V / 1500mAh	3.3V / 2500mAh
Charging Method	Intelligent Current Limited Constant Voltage		

TECHNICAL SPECIFICATIONS	
Operating Mode	Maintained
Voltage (V) Frequency (Hz)	220-240V(50Hz)
Construction	Cleverfit Inside Glass Reinforced Nylon Base & PC Cover
Viewing Distance	24m
Mounting Type	Wall & Ceiling (Single & Double Sided)
Operating Temperature	0°C to 40°C
Ingress Protection Rating (IP)	IP66/67
Impact Rating (IK)	IK10

ACCESSORIES	TS	LP	L10
Cantilever Bracket	CLVBRT-CF-WP	CLVBRT-CF-WP	CLVBRT-CF-WP

CLASSIFICATION	TS	LP	L10
C0	E2	E2	E2
C90	E1.6	E2	E2

SPACING TABLE AND MOUNTING HEIGHTS – AS/NZS 2293.1:2018 (MINIMUM LIGHT LEVEL OF 0.2 LUX)									
Classification	2.1m	2.4m	2.7m	3.0m	3.3m	3.6m	4.0m	4.5m	5.0m
E1.6	4.6	4.7	4.6	0.0	0.0	0.0	0.0	N/A	N/A
E2	5.0	5.2	5.2	5.2	0.0	0.0	0.0	0.0	N/A

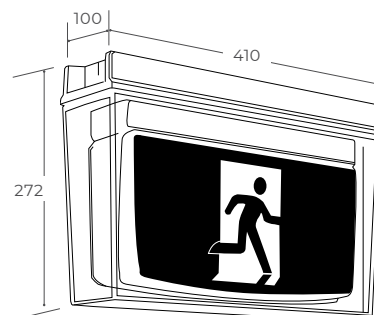
For 1 lux and AS/NZS 2293.1:2005 spacing tables please visit: <https://clevertronics.com.au/spacing-tables/>

Based on minimum light level of 0.2 lux.
Maximum allowed mounting height is 2.7m but for exceptions see AS/NZS 2293.1.
Spacing classifications do not apply for theatre versions.

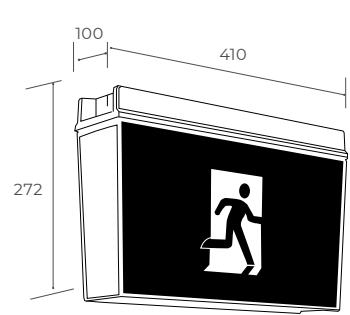
*Warranty information located at:
<https://clevertronics.com.au/warranty-statement/>

Product Configuration:

- ¹ Standard Version
- ² Classic Version



1



2

Dimensions (mm)

WEATHERPROOF UNIVERSAL 40M JUMBO EXIT



Weatherproof Jumbo Exit for Larger Viewing Distances

The Weatherproof Universal Jumbo Exit is ideal for applications that require an IP65 rated exit for 40m viewing distance applications.

Featuring a robust housing with slide in diffusers and back plates for single and double sided configurations, the Weatherproof Universal Jumbo Exit is easy to install as a wall or ceiling mounted exit.

Applications

- | | |
|---|--|
|  Warehouses |  Stadiums |
|  Factories |  Halls |
|  Car Parks |  Train Stations |



Features and Benefits

- AS/NZS 2293.3 compliant
- Wall and ceiling mount
- Single and double sided
- Includes all directional inserts
- IP65
- IK08
- Lithium Iron Phosphate or Nanophosphate® battery
- Clevertest Plus System compatible



LP LITHIUM IRON PHOSPHATE
PREMIUM
PROVEN PROJECT PERFORMANCE

L10 LITHIUM NANOPHOSPHATE®
OPTIMUM
NOTHING ELSE COMPETES WITH NANOPHOSPHATE®

WEATHERPROOF UNIVERSAL 40M JUMBO EXIT

ORDERING INFORMATION		LP	L10
TEST OPTIONS / PART#	Standard	CJWELED-40	LJWELED-40
	Clevertest Plus System compatible	Yes	Yes
	DALI	CJWELED-40-DALI	LJWELED-40-DALI
	Zoneworks® XT Hive	CJWELED-40-HV	LJWELED-40-HV
Carton Quantity	1		
Weight - Single (Carton)	5.6kg (5.6kg)		
Dimensions (L x W x H)	570mm x 117mm x 340mm		
Directional Options	All Directional Inserts Included in the Box		

POWER, LAMPS AND BATTERY	LP	L10
Power Consumption (Standby / Max)	2.8W / 4.8W	
Lamp(s)	100,000 Hour LED	
Battery type	Lithium Iron Phosphate	Lithium Nanophosphate®
Voltage (V) / Capacity (mAh)	3.2V / 3200mAh	3.3V / 2500mAh
Charging Method	Intelligent Current Limited Constant Voltage	

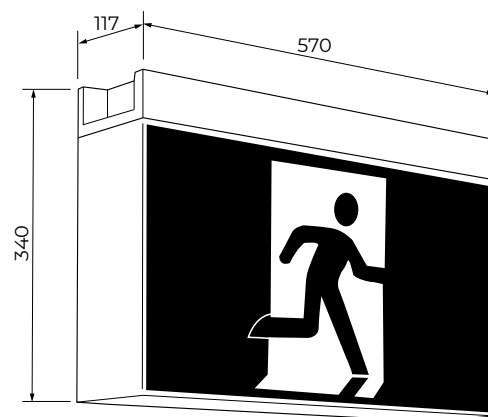
TECHNICAL SPECIFICATIONS	CLASSIFICATION	
	LP	L10
Operating Mode	Maintained	
Voltage (V) (Frequency (Hz))	220-240V (50Hz)	
Construction - Body / Diffuser	Polycarbonate	
Viewing Distance	40m	
Mounting Type	Wall & Ceiling / Single & Double Sided	
Operating Temperature	0°C to 40°C	
Ingress Protection Rating (IP)	IP65	
Impact Rating (IK)	IK08	
	C0	D6.3
	C90	E4

SPACING TABLE AND MOUNTING HEIGHTS – AS/NZS 2293.1:2018 (MINIMUM LIGHT LEVEL OF 0.2 LUX)									
Classification	2.1m	2.4m	2.7m	3.0m	3.3m	3.6m	4.0m	4.5m	5.0m
D6.3	8.5	8.8	8.9	9.1	9.1	9.2	9.1	9.0	8.7
E4	6.2	6.6	6.9	7.1	7.3	7.4	7.4	0.0	0.0

For 1 lux and AS/NZS 2293.1:2005 spacing tables please visit:
<https://clevertronics.com.au/spacing-tables/>

Based on minimum light level of 0.2 lux. Maximum allowed mounting height is 2.7m but for exceptions see AS/NZS 2293.1. Spacing classifications do not apply for theatre versions.

*Warranty information located at:
<https://clevertronics.com.au/warranty-statement/>



Dimensions (mm)

LOW TEMPERATURE EXIT



Suitable for Cool Room and Freezer Applications

The Low Temperature Exit range is designed for cool room and freezer applications where the temperature can drop to -40°C .

Now featuring Lithium Nanophosphate battery technology, the 24m viewing distance range is available in universal or wall mount as a one box solution with all directional decals to suit any application.

Applications



Cool Rooms



Food Processing



Freezers

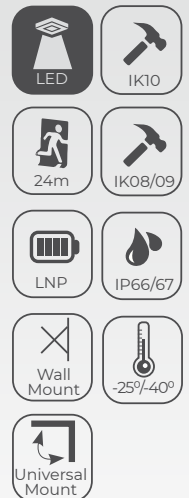


Alpine Regions



Features and Benefits

- AS/NZS 2293.3 compliant
- -25°C to -40°C options
- Lithium Nanophosphate® battery
- IP66/67
- Clevertest Plus System compatible



LOW TEMPERATURE EXIT

ORDERING INFORMATION		L10		
Viewing Distance / Product Configuration	24m Universal Mount Single or Double Sided Integral Gear 1	24m Wall Mount Single Sided Integral Gear 2	24m Wall Mount Single Sided Remote Enclosed Gear 2 3	
Operating Temperature	-25°C to 40°C			-40°C to 40°C (EXIT) 0°C to +40°C (REMOTE CONTROL GEAR)
PART #	Standard	LWEPRO-FZR	LWELED-WM-FZR	LWELED-WM-IPREM
	Zoneworks® XT Hive	LWEPRO-FZR-HV	LWELED-WM-FZR-HV	LWELED-WM-HV-IPREM
Clevertest Plus System Compatible	No	No	Yes	
Directional Options	All Directional Inserts Included (Excluding Theatre Versions)			
Carton Quantity	1			
Weight - Single (Carton)	3.4kg	2.7kg	4.8kg	
Dimensions (L X W X H) - Exit	410mm x 100mm x 272mm	380mm x 190mm x 130mm	380mm x 190mm x 130mm	
Dimensions (L X W X H) - Remote Enclosed Gear	-	-	380mm x 190mm x 130mm	

POWER, LAMPS AND BATTERY		L10		
Power Consumption (Standby / Max)	1.4W / 3.5W	2.8W / 3.8W	3.6W / 4.6W	
Lamp(s)	100,000 Hours LED			
Battery	Lithium Nanophosphate®			
Voltage (V) / Capacity (mAh)	3.3V / 5000mAh		3.3V / 2500mAh	
Charging Method	Intelligent Current Limited Constant Voltage			

TECHNICAL SPECIFICATIONS				
Operating Mode	Maintained			
Voltage (V) (Frequency (Hz))	240V AC (50HZ)			
Construction - Body / Diffuser	Exit: PC/ABS Body with PC Diffuser / Enclosure PC Clear Cover, Glass Reinforced Nylon Base	PC Clear Cover, PC Base	PC Clear Cover, PC Base	
Ingress Protection Rating (IP)	IP66/67			
Impact Rating (IK)	IK10	IK08 (Side Surface) / IK09 (Front Surface)		

CLASSIFICATION		L10		
C0	D2.5	E1.6	E1.6	
C90	E4	E1.6	E1.6	

SPACING TABLE AND MOUNTING HEIGHTS – AS/NZS 2293.1:2018 (MINIMUM LIGHT LEVEL OF 0.2 LUX)										
Classification	2.1m	2.4m	2.7m	3.0m	3.3m	3.6m	4.0m	4.5m	5.0m	
E1.6	4.6	4.7	4.6	0.0	0.0	0.0	0.0	N/A	N/A	
D2.5	5.8	5.8	5.7	5.6	5.3	0.0	0.0	0.0	N/A	
E4	6.2	6.6	6.9	7.1	7.3	7.4	7.4	0.0	0.0	

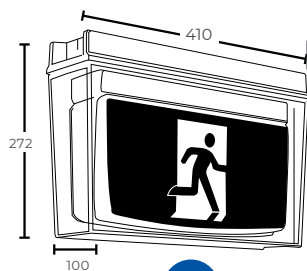
For 1 lux and AS/NZS 2293.1:2005 spacing tables please visit: <https://clevertronics.com.au/spacing-tables/>

Based on minimum light level of 0.2 lux. Maximum allowed mounting height is 2.7m but for exceptions see AS/NZS 2293.1. Spacing classifications do not apply for theatre versions.

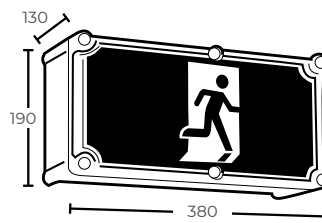
*Warranty information located at: <https://clevertronics.com.au/warranty-statement/>

Product Configuration:

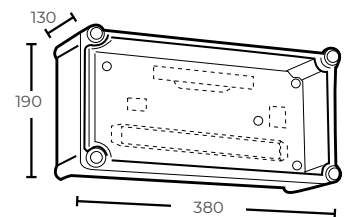
- 1** L10 Universal Mount
- 2** L10 Wall Mount Integral Gear
- 2 3** L10 Wall Mount with Remote Mounted Control Gear



1



2



3

Dimensions (mm)

The product details described in this document are current as at the version date of the document. We reserve the right to change product design, specifications or materials (Specifications) as part of our continuous improvement program. Images are indicative only. Please confirm the applicable Specifications at the time of placing your order.

LOW TEMPERATURE JUMBO LED EXIT



Low Temp Jumbo Exit for Larger Viewing Distances

The Low Temperature Jumbo LED Exit range is designed for cool room and freezer applications where the temperature can drop to -40°C .

Now featuring Lithium Nanophosphate[®] battery technology, the 40m viewing distance range is available with integral or remote control gear to suit any application.



Applications



Cool Rooms



Food Processing



Freezers



Alpine Regions

L10 LITHIUM NANOPHOSPHATE[®]
OPTIMUM
NOTHING ELSE COMPETES WITH NANOPHOSPHATE[®]

Features and Benefits

- AS/NZS 2293.3 compliant
- -25°C to -40°C options
- Lithium Nanophosphate[®] battery
- IP66/67
- Clevertest Plus System compatible



LOW TEMPERATURE JUMBO LED EXIT

ORDERING INFORMATION		L10	
Viewing Distance / Product Configuration	40M Integral Gear ¹	40M Remote Control Gear ¹ ²	
Operating Temperature	-25°C to 40°C	-40°C to 40°C (Exit) 0°C to +40°C (Remote Control Gear)	
PART #	Standard	LJWELED-WM-FZR-40-R	LJWELED-WM-40-IPREM-R
	Clevertest Plus System Compatible	No	Yes
	Zoneworks® XT Hive	LJWELED-WM-FZR-40-HV-R	LJWELED-WM-40-HV-IPREM-R
Carton Quantity	1		
Weight - Single (Carton)	5.5kg	7.7kg	
Dimensions (L X W X H) - Exit	560mm x 280mm x 130mm	560mm x 280mm x 130mm	
Dimensions (L X W X H) - Control Gear	-	380mm x 190mm x 130mm	
Directional Options	Diffuser Options - Add 'R' Right Arrow, 'L' Left Arrow (eg LJWELED-WM-FZR-40-RR)		

POWER, LAMPS AND BATTERY		L10	
Power Consumption (Standby / Max)	2.8W / 5.3W		
Lamp(s)	100,000 Hours LED		
Battery Type	Lithium Nanophosphate®		
Voltage (V) / Capacity (mAh)	3.3V / 5000mAh	3.3V / 2500mAh	
Charging Method	Intelligent Current Limited Constant Voltage		

TECHNICAL SPECIFICATIONS		CLASSIFICATION		L10	
Operating Mode	Maintained	C0	E1.6	E1.6	
Voltage (V) (Frequency (Hz))	220-240V (50Hz)	C90	E1.25	E1.25	
Construction - Body / Diffuser	Polycarbonate Clear Cover, Polycarbonate Base				
Mounting Type	Wall Mount				
Ingress Protection Rating (IP)	IP66/67 (Both Exit & Remote Control Gear)				
Impact Rating (IK)	IK08 (Side Surface), IK09 (Front Surface)				

SPACING TABLE AND MOUNTING HEIGHTS – AS/NZS 2293.1:2018 (MINIMUM LIGHT LEVEL OF 0.2 LUX)									
Classification	2.1m	2.4m	2.7m	3.0m	3.3m	3.6m	4.0m	4.5m	5.0m
E1.25	4.1	4.1	0.0	0.0	0.0	0.0	N/A	N/A	N/A
E1.6	4.6	4.7	4.6	0.0	0.0	0.0	0.0	N/A	N/A

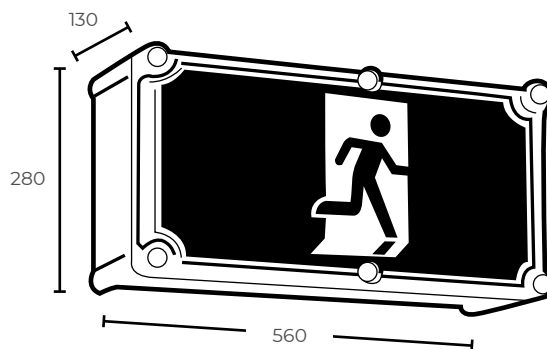
For 1 lux and AS/NZS 2293.1:2005 spacing tables please visit: <https://clevertronics.com.au/spacing-tables/>

Based on minimum light level of 0.2 lux.
Maximum allowed mounting height is 2.7m but for exceptions see AS/NZS 2293.1. Spacing classifications do not apply for theatre versions.

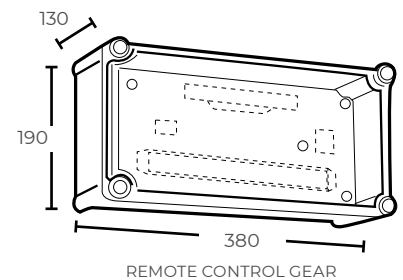
*Warranty information located at:
<https://clevertronics.com.au/warranty-statement/>

Product Configuration:

- ¹ 40M Integral Gear
- ¹ ² 40M Remote Control Gear



1



2

Dimensions (mm)

The product details described in this document are current as at the version date of the document. We reserve the right to change product design, specifications or materials (Specifications) as part of our continuous improvement program. Images are indicative only. Please confirm the applicable Specifications at the time of placing your order.

VANDAL RESISTANT EXIT



A Strong, Robust and Reliable Exit

The Vandal Resistant Exit is a high impact IK12 rated exit that utilises the Cleverfit PRO within a powder coated steel enclosure.

It provides an effective solution for prisons, correction facilities, train stations and heavy industrial areas. It can be wall, ceiling or flag mounted with single or double-sided decals.



Applications



Public Amenities



Schools



Stadiums



Train Stations



Car Parks



Correctional Facilities

L10 LITHIUM NANOPHOSPHATE®
OPTIMUM
NOTHING ELSE COMPETES WITH NANOPHOSPHATE®

Features and Benefits

- AS/NZS 2293.3 compliant
- Wall, ceiling and flag mount options
- All directional decals in one box
- Lithium Nanophosphate® battery
- Clevertest Plus System compatible
- All test options available



VANDAL RESISTANT EXIT

ORDERING INFORMATION		L10		
		CEILING MOUNTED	WALL MOUNTED	FLAG MOUNTED
TEST OPTIONS / PART#	Standard	LVELED-CM	LVELED-WM	LVELED-FM
	Clevertest Plus System Compatible	Yes		
	DALI	LVELED-CM-DALI	LVELED-WM-DALI	LVELED-FM-DALI
	Zoneworks® XT Hive	LVELED-CM-HV	LVELED-WM-HV	LVELED-FM-HV
Carton Quantity		1		
Weight - Single (Carton)		6.6kg		
Dimensions (L x W x H)		425mm x 100mm x 270mm		
Directional Options		All Directional Inserts Included		

POWER, LAMPS AND BATTERY		L10		
Power Consumption (Standby / Max)		3.6W / 5.6W		
Lamp(s)		100,000 Hours		
Battery		Lithium Nanophosphate®		
Voltage (V) / Capacity (mAh)		3.3V / 2500mAh		
Charging Method		Intelligent Current Limited Constant Voltage		

TECHNICAL SPECIFICATIONS	
Operating Mode	Maintained
Voltage (V) (Frequency (Hz))	220-240V (50Hz)
Construction	Cleverfit Pro Inside Powder Coated Metal Frame & PC Diffuser
Viewing Distance	24m
Operating Temperature	1°C to 40°C
Ingress Protection Rating (IP)	IP20
Impact Rating (IK)	IK12 (Wall & Ceiling Mounted) IK10 (Flag Mounted)

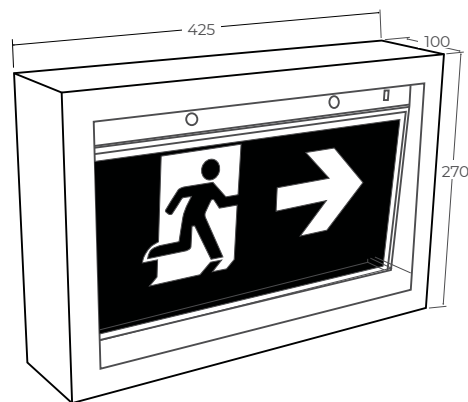
CLASSIFICATION	L10		
	CEILING MOUNTED	WALL MOUNTED	FLAG MOUNTED
C0	D3.2	D3.2	D3.2
C90	E8	E8	E8

SPACING TABLE AND MOUNTING HEIGHTS – AS/NZS 2293.1:2018 (MINIMUM LIGHT LEVEL OF 0.2 LUX)									
Classification	2.1m	2.4m	2.7m	3.0m	3.3m	3.6m	4.0m	4.5m	5.0m
D3.2	6.5	6.5	6.5	6.5	6.3	6.1	5.8	0.0	0.0
E8	7.3	7.9	8.4	8.8	9.2	9.5	9.9	10.2	10.4

For 1 lux and AS/NZS 2293.1:2005 spacing tables please visit: <https://clevertronics.com.au/spacing-tables/>

Based on minimum light level of 0.2 lux.
Maximum allowed mounting height is 2.7m but for exceptions see AS/NZS 2293.1.
Spacing classifications do not apply for theatre versions.

*Warranty information located at:
<https://clevertronics.com.au/warranty-statement/>



Dimensions (mm)

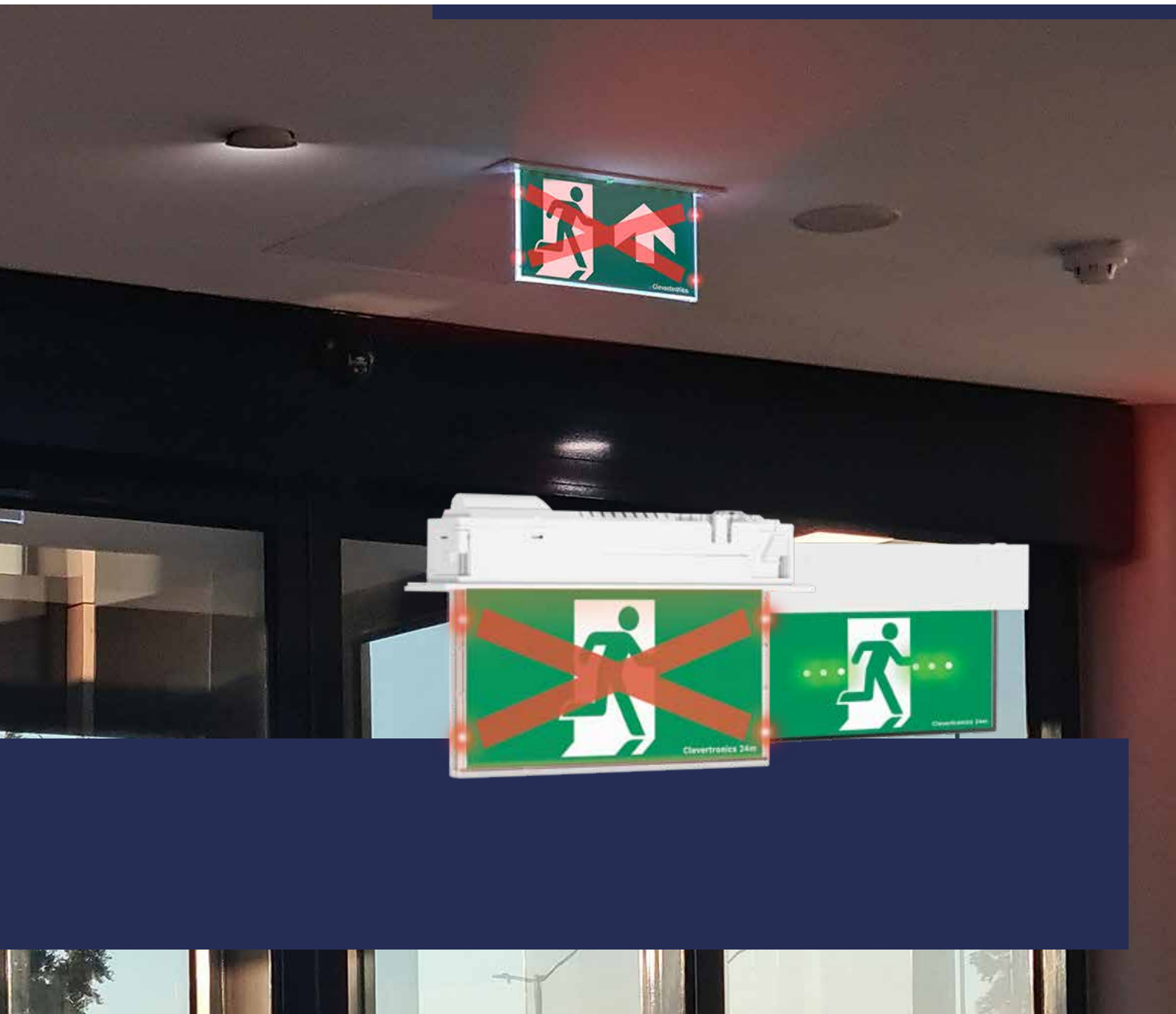


CleverEVAC



Disclaimer: Clevertronics Pty Ltd is a vendor of CleverEVAC products. It is not a fire engineer or designer. It does not purport to recommend its products for use in any particular application or to achieve any particular outcome. Purchasers and users of its products must take their own steps to ensure compliance with statutory requirements, safe practice and suitable application of the products.

The product details described in this document are current as at the version date of the document. We reserve the right to change product design, specifications or materials (Specifications) as part of our continuous improvement program. Images are indicative only. Please confirm the applicable Specifications at the time of placing your order.



DYNAMIC EXIT SIGNAGE

CleverEVAC Dynamic Green Exit	80
CleverEVAC Dynamic Red X Exit	82
CleverEVAC Dynamic Green Blade Exit	84
CleverEVAC Dynamic Red X Blade Exit	86

CLEVEREVAC DYNAMIC GREEN EXIT



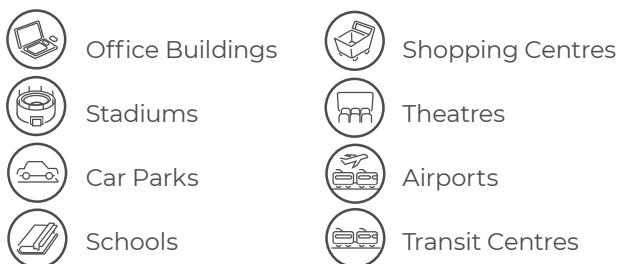
Dynamic GREEN Exit Sign

The CleverEVAC Dynamic GREEN Exit sign has been developed to provide an increased visibility of exit signage.

Dynamic GREEN Exit signs are available with the standard running man symbol and also with directional arrow options. The Dynamic GREEN mode is triggered either by a 24VDC or voltage free open/close signal from the fire detection or other building safety system.

Combining audible locatable sounds including announcements such as 'Exit Here', with the increased visibility of dynamic exit signage, the SoundEscape™ option is available and fits perfectly into all dynamic exit sign products.

Suitable for Most Applications



SoundEscape™ option.

Features and Benefits

- BCA/NCC compliant
- Low 1.1W to 2.7W standby power consumption
- Wall and ceiling mount with easy slide connect
- Lithium Iron Phosphate or Nanophosphate® battery
- Locatable sound technology
- Weatherproof option available
- Theatre version available
- Also available in blade style



CLEVEREVAC DYNAMIC GREEN EXIT

ORDERING INFORMATION		LP 1	LP W/SOUNDESCAPE 2	L10 1	L10 W/SOUNDESCAPE 2
TEST OPTIONS / PART #	Standard - Running Man Right	DYGC-CP-RR	DYGC-CP-RR-SND	DYGL-CP-RR	DYGL-CP-RR-SND
	- Running Man Left	DYGC-CP-RL	DYGC-CP-RL-SND	DYGL-CP-RL	DYGL-CP-RL-SND
	- Running Man Up	DYGC-CP-RU	DYGC-CP-RU-SND	DYGL-CP-RU	DYGL-CP-RU-SND
	- Running Man Down	DYGC-CP-RD	DYGC-CP-RD-SND	DYGL-CP-RD	DYGL-CP-RD-SND
	- Running Man	DYGC-CP-R	DYGC-CP-R-SND	DYGL-CP-R	DYGL-CP-R-SND
	Zoneworks® XT Hive	Yes		Yes	
Theatre Version Option	Yes	-	Yes	-	
Weatherproof Option	Yes	-	Yes	-	
Weight - Single (Carton)	2.0kg	2.4kg	2.0kg	2.4kg	
Dimensions (L x W x H)	367mm x 214mm x 72mm	446mm x 214mm x 72mm	367mm x 214mm x 72mm	446mm x 214mm x 72mm	

* for additional variants please refer to the Clevertronics Product Guide or website.
 * -NO denotes a Normally Open signal from the fire system. Normally Closed -NC also available.

POWER, LAMPS AND BATTERY	LP	LP W/ SOUNDESCAPE	L10	L10 W/ SOUNDESCAPE
Power Consumption (Standby / Max)	1.5 W / 5.0 W	4.0 W / 10.0 W	1.5 W / 5.0 W	4.0 W / 10.0 W
Lamp(s)	100,000 Hour LEDs		100,000 Hour LEDs	
Battery	Lithium Iron Phosphate	Lithium Iron Phosphate & Nickel Cadmium (Sounder Unit)	Lithium Nanophosphate®	Lithium Nanophosphate® & Nickel Cadmium (Sounder Unit)
Voltage (V) / Capacity (mAh)	3.2V / 2500mAh	3.2V / 3200mAh / 3.6V 600mAh (Sounder Unit)	3.2V / 2500mAh	3.3V / 5000mAh / 3.6V 600mAh (Sounder Unit)
Charging Method	Intelligent Current Limited Constant Voltage		Intelligent Current Limited Constant Voltage	

TECHNICAL SPECIFICATIONS	
Operating Mode	Maintained - Dynamic modes activated on VF/24V input trigger & capable of being activated in power-on & battery-backed mode. Normally open (NO) version - Dynamic Green and Sound activated (turned on) when contact interface is closed. Normally Closed (NC) also available.
Voltage (V) Frequency (Hz)	220-240V (50Hz)
Construction - Body / Diffuser	PC/ABS Body with PC Diffuser
Viewing Distance	24m
Mounting Type	Wall & Ceiling (Single & Double Sided) Wall & Ceiling (Single Sided /w SoundEscape)
Operating Temperature	1°C to 40°C
IP Rating (IP)	IP20

CLASSIFICATION	LP	L10
	C0	E2.5
C90	E1.6	E1.6

SPACING TABLE AND MOUNTING HEIGHTS – AS/NZS 2293.1:2018 (MINIMUM LIGHT LEVEL OF 0.2 LUX)									
Classification	2.1m	2.4m	2.7m	3.0m	3.3m	3.6m	4.0m	4.5m	5.0m
E2.5	5.4	5.6	5.8	5.8	5.8	0.0	0.0	0.0	0.0
E1.6	4.6	4.7	4.6	0.0	0.0	0.0	0.0	N/A	N/A

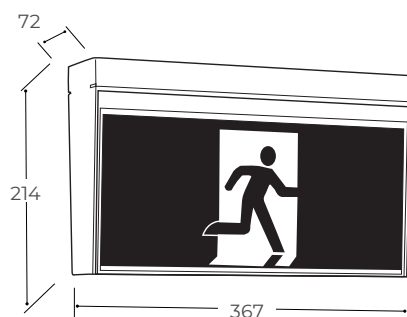
For 1 lux and AS/NZS 2293.1:2005 spacing tables please visit: <https://clevertronics.com.au/spacing-tables/>

Based on minimum light level of 0.2 lux. Maximum allowed mounting height is 2.7m but for exceptions see AS/NZS 2293.1. Spacing classifications do not apply for theatre versions.

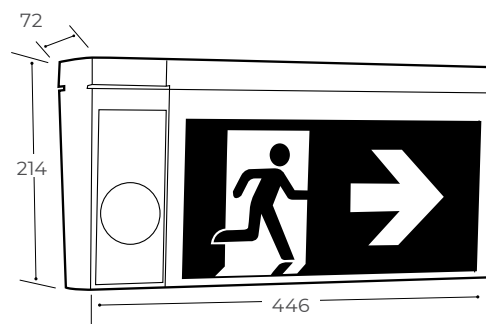
*Warranty information located at: <https://clevertronics.com.au/warranty-statement/>

Product Configuration:

- 1 Dynamic Green Exit
- 2 Dynamic Green Exit w/ SoundEscape™



1



2

Dimensions (mm)

CLEVEREVAC DYNAMIC RED X EXIT



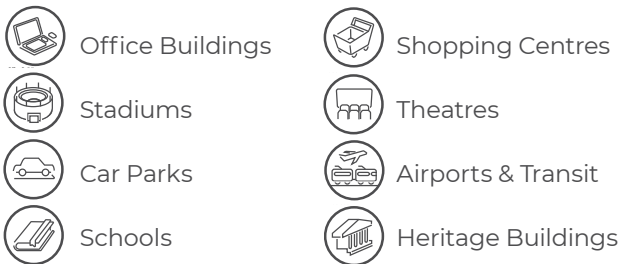
Dynamic RED X Exit Sign

CleverEVAC Dynamic RED X signs can be interfaced to the building's fire detection or other safety system, as designed by a fire safety engineer.

CleverEVAC Dynamic RED X sign can display a red cross, alerting those evacuating to seek an alternative exit. Dynamic RED X signs also have the Dynamic GREEN function built in.

The Dynamic RED X mode (and Dynamic GREEN mode if specified) is triggered either by 24VDC or voltage free open/close signals from the fire detection or other building safety system.

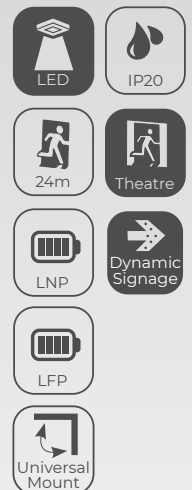
Suitable for Most Applications



Built in Dynamic GREEN function.

Features and Benefits

- AS/NZS 2293.3 compliant, in non-dynamic mode
- Low 1.1W to 2.7W standby power consumption
- Wall and ceiling mount with easy slide connect
- Lithium Iron Phosphate or Nanophosphate® battery
- Capable of positive re-enforcement Dynamic GREEN
- Zoneworks® XT Hive compatible
- Weatherproof option available
- Theatre version available



CLEVEREVAC DYNAMIC RED X EXIT

ORDERING INFORMATION		LP	L10
TEST OPTIONS / PART #	Standard - Running Man Right	DYRC-CP-RR	DYRL-CP-RR
	- Running Man Left	DYRC-CP-RL	DYRL-CP-RL
	- Running Man Up*	DYRC-CP-RU	DYRL-CP-RU
	- Running Man Down*	DYRC-CP-RD	DYRL-CP-RD
	- Running Man^	DYRC-CP-R	DYRL-CP-R
	Zoneworks® XT Hive	Yes	Yes
	Theatre Version Option	Yes	Yes
	Weatherproof Option	Yes	Yes
	Weight - Single (Carton)	2.0kg	2.0kg
	Dimensions (L x W x H)	367mm x 214mm x 80mm	367mm x 214mm x 80mm

* for additional variants please refer to the Clevertronics Product Guide or website.
 *-NO denotes a Normally Open signal from the fire system. Normally Closed -NC also available.

POWER, LAMPS AND BATTERY	LP	L10
Power Consumption (Standby / Max)	1.5 W / 5.0 W	
Lamp(s)	100,000 Hour LEDs	
Battery	Lithium Iron Phosphate	Lithium Nanophosphate®
Voltage (V) / Capacity (mAh)	3.2V / 2500mAh	
Charging Method	Intelligent Current Limited Constant Voltage	

TECHNICAL SPECIFICATIONS	
Operating Mode	Maintained – Sequencing inward green LEDs or illuminated Red X with side flashing Red LED's on closing of the VF/24V contact and capable of being activated in power-on and battery-backed mode. Normally open (NO) version – Dynamic Green or illuminated Red X when contact interface is closed.
Voltage (V) Frequency (Hz)	220-240V (50Hz)
Construction - Body / Diffuser	PC/ABS Body with PC Diffuser
Viewing Distance	24m
Mounting Type	Wall & Ceiling (Single & Double Sided) Wall & Ceiling (Single Sided /w SoundEscape)
Operating Temperature	1°C to 40°C
IP Rating (IP)	IP20

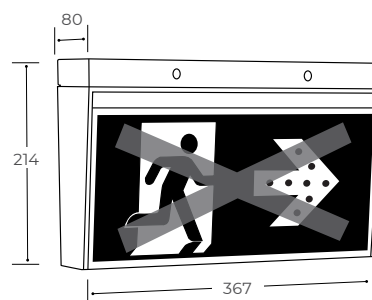
CLASSIFICATION	LP	L10
C0	E2.5	E2.5
C90	E1.6	E1.6

SPACING TABLE AND MOUNTING HEIGHTS – AS/NZS 2293.1:2018 (MINIMUM LIGHT LEVEL OF 0.2 LUX)									
Classification	2.1m	2.4m	2.7m	3.0m	3.3m	3.6m	4.0m	4.5m	5.0m
E2.5	5.4	5.6	5.8	5.8	5.8	0.0	0.0	0.0	0.0
E1.6	4.6	4.7	4.6	0.0	0.0	0.0	0.0	N/A	N/A

For 1 lux and AS/NZS 2293.1:2005 spacing tables please visit: <https://clevertronics.com.au/spacing-tables/>

Based on minimum light level of 0.2 lux. Maximum allowed mounting height is 2.7m but for exceptions see AS/NZS 2293.1. Spacing classifications do not apply for theatre versions.

*Warranty information located at: <https://clevertronics.com.au/warranty-statement/>



Dimensions (mm)

Disclaimer: Clevertronics Pty Ltd is a vendor of CleverEVAC products. It is not a fire engineer or designer. It does not purport to recommend its products for use in any particular application or to achieve any particular outcome. Purchasers and users of its products must take their own steps to ensure compliance with statutory requirements, safe practice and suitable application of the products.

The product details described in this document are current as at the version date of the document. We reserve the right to change product design, specifications or materials (Specifications) as part of our continuous improvement program. Images are indicative only. Please confirm the applicable Specifications at the time of placing your order.

CLEVEREVAC DYNAMIC GREEN BLADE EXIT



Dynamic GREEN Ultrablade Pro Exit Sign

The CleverEVAC Dynamic GREEN Blade Exit sign has been developed to provide an increased visibility of exit signage.

Dynamic GREEN Blade Exit signs are available with the standard running man symbol and also with directional arrow options. The Dynamic GREEN mode is triggered either by a 24VDC or voltage free open/close signal from the fire detection or other building safety system.

The sophisticated look and design of the blade will satisfy all architectural requirements for a premium exit.

Suitable for Most Applications

- | | |
|---|--|
|  Office Buildings |  Theatres |
|  Stadiums |  Schools |
|  Shopping Centres |  Airports & Transit |



Features and Benefits

- BCA/NCC compliant
- Low 1.1W to 2.7W standby power consumption
- Lithium Iron Phosphate or Nanophosphate® battery
- Zoneworks® XT Hive compatible
- Theatre version available



CLEVEREVAC DYNAMIC GREEN BLADE EXIT

ORDERING INFORMATION		LP RECESSED	LP CEILING MOUNT	LP WALL MOUNT	L10 RECESSED	L10 CEILING MOUNT	L10 WALL MOUNT
TEST OPTIONS / PART #	Standard - Running Man Right	DYGC-UP-RR	DYGC-UP-CM-RR	DYGC-UP-WM-RR	DYGL-UP-RR	DYGL-UP-CM-RR	DYGL-UP-WM-RR
	- Running Man Left	DYGC-UP-RL	DYGC-UP-CM-RL	DYGC-UP-WM-RL	DYGL-UP-RL	DYGL-UP-CM-RL	DYGL-UP-WM-RL
	- Running Man Up	DYGC-UP-RU	DYGC-UP-CM-RU	DYGC-UP-WM-RU	DYGL-UP-RU	DYGL-UP-CM-RU	DYGL-UP-WM-RU
	- Running Man Down	DYGC-UP-RD	DYGC-UP-CM-RD	DYGC-UP-WM-RD	DYGL-UP-RD	DYGL-UP-CM-RD	DYGL-UP-WM-RD
	- Running Man	DYGC-UP-R	DYGC-UP-CM-R	DYGC-UP-WM-R	DYGL-UP-R	DYGL-UP-CM-R	DYGL-UP-WM-R
Zoneworks® XT Hive	Yes			Yes			
Theatre Version Option	-			-			
Carton Quantity	1			1			
Weight - Single (Carton)	2.0kg			2.0kg			
Dimensions (L x W x H)	385mm x 67mm x 257mm	385mm x 88mm x 257mm		385mm x 67mm x 257mm	385mm x 88mm x 257mm		

* for additional variants please refer to the Clevertronics Product Guide or website.
 * -NO denotes a Normally Open signal from the fire system. Normally Closed -NC also available.

POWER, LAMPS AND BATTERY	LP	L10
Power Consumption (Standby / Max)	1.5 W / 9.0 W	1.5 W / 5.0 W
Lamp(s)	100,000 Hour LEDs	100,000 Hour LEDs
Battery	Lithium Iron Phosphate	Lithium Nanophosphate®
Voltage (V) / Capacity (mAh)	3.2V / 3200mAh	3.2V / 2500mAh
Charging Method	Intelligent Current Limited Constant Voltage	Intelligent Current Limited Constant Voltage

TECHNICAL SPECIFICATIONS	
Operating Mode	Maintained -Sequencing arrows/inward LEDs activated on VF/24V input trigger & capable of being activated in power-on & battery-backed mode
Voltage (V) Frequency (Hz)	220-240V (50Hz)
Construction - Body / Diffuser	PC/ABS body with PC diffuser
Viewing Distance	24m
Mounting Type	Recessed, Surface Mount Options, Single-Sided, Double-Sided
Operating Temperature	1°C to 40°C
IP Rating (IP)	IP20

CLASSIFICATION	LP	L10
C0	E4	D5
C90	C32	C25

SPACING TABLE AND MOUNTING HEIGHTS – AS/NZS 2293.1:2018 (MINIMUM LIGHT LEVEL OF 0.2 LUX)

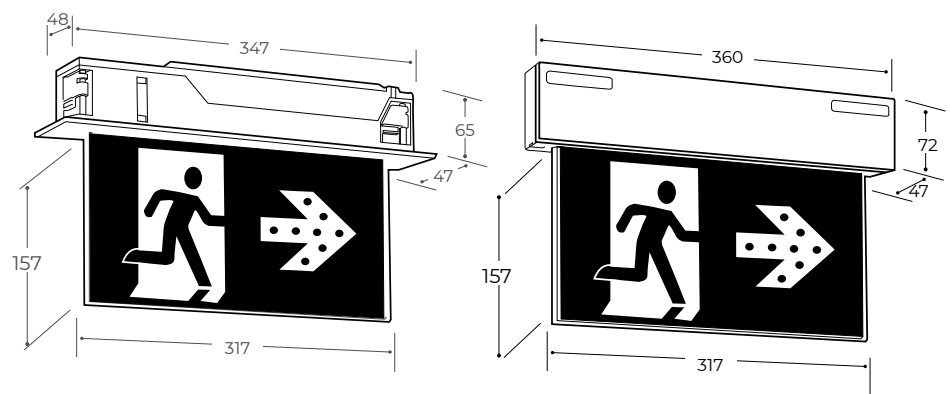
Classification	2.1m	2.4m	2.7m	3.0m	3.3m	3.6m	4.0m	4.5m	5.0m
D5	7.8	8.0	8.1	8.2	8.2	8.1	8.0	7.7	7.2
E4	6.2	6.8	6.9	7.1	7.3	7.4	7.4	0.0	0.0
C25	9.4	10.0	10.5	11.0	11.5	11.9	12.4	12.9	13.4
C32	10.0	10.7	11.3	11.8	12.3	12.8	13.4	14.0	14.5

For 1 lux and AS/NZS 2293.1:2005

spacing tables please visit:
<https://clevertronics.com.au/spacing-tables/>

Based on minimum light level of 0.2 lux. Maximum allowed mounting height is 2.7m but for exceptions see AS/NZS 2293.1. Spacing classifications do not apply for theatre versions.

*Warranty information located at:
<https://clevertronics.com.au/warranty-statement/>



Dimensions (mm)

The product details described in this document are current as at the version date of the document. We reserve the right to change product design, specifications or materials (Specifications) as part of our continuous improvement program. Images are indicative only. Please confirm the applicable Specifications at the time of placing your order.

CLEVEREVAC DYNAMIC RED X BLADE EXIT



Dynamic Green & Red X Exit Signage

CleverEVAC Dynamic RED X signs can be interfaced to the building's fire detection or other safety system, as designed by a fire safety engineer.

CleverEVAC Dynamic RED X sign can display a red cross, alerting those evacuating to seek an alternative exit. Dynamic RED X signs also have the Dynamic GREEN function built in.

The Dynamic RED X mode (and Dynamic GREEN mode if specified) is triggered either by 24VDC or voltage free open/close signals from the fire detection or other building safety system.

The sophisticated look and design of the blade will satisfy all architectural requirements for a premium exit.

Suitable for Most Applications

-  Office Buildings
-  Theatres
-  Stadiums
-  Schools
-  Shopping Centres
-  Airports & Transit



Features and Benefits

- AS/NZS 2293.3 compliant, in non-dynamic mode
- Low 1.1W to 2.7W standby power consumption
- Wall and ceiling mount with easy slide connect
- Lithium Iron Phosphate or Nanophosphate® battery
- Negative enforcement options
- Capable of positive re-enforcement Dynamic GREEN
- Zoneworks® XT Hive compatible
- Theatre version available



CLEVEREVAC DYNAMIC RED X BLADE EXIT

ORDERING INFORMATION	LP RECESSED	LP CEILING MOUNT	LP WALL MOUNT	L10 RECESSED	L10 CEILING MOUNT	L10 WALL MOUNT	
TEST OPTIONS / PART #	Standard - Running Man Right	DYRC-UP-RR	DYRC-UP-CM-RR	DYRC-UP-WM-RR	DYRL-UP-RR	DYRL-UP-CM-RR	DYRL-UP-WM-RR
	- Running Man Left	DYRC-UP-RL	DYRC-UP-CM-RL	DYRC-UP-WM-RL	DYRL-UP-RL	DYRL-UP-CM-RL	DYRL-UP-WM-RL
	- Running Man Up	DYRC-UP-RU	DYRC-UP-CM-RU	DYRC-UP-WM-RU	DYRL-UP-RU	DYRL-UP-CM-RU	DYRL-UP-WM-RU
	- Running Man Down	DYRC-UP-RD	DYRC-UP-CM-RD	DYRC-UP-WM-RD	DYRL-UP-RD	DYRL-UP-CM-RD	DYRL-UP-WM-RD
	- Running Man	DYRC-UP-R	DYRC-UP-CM-R	DYRC-UP-WM-R	DYRL-UP-R	DYRL-UP-CM-R	DYRL-UP-WM-R
	Zoneworks® XT Hive	Yes			Yes		
Theatre Version Option	-			-			
Carton Quantity	1			1			
Weight - Single (Carton)	2.0kg			2.0kg			
Dimensions (L x W x H)	385mm x 67mm x 257mm	385mm x 88mm x 257mm		385mm x 67mm x 257mm	385mm x 88mm x 257mm		

* for additional variants please refer to the Clevertronics Product Guide or website.
 * -NO denotes a Normally Open signal from the fire system. Normally Closed -NC also available.

POWER, LAMPS AND BATTERY	LP	L10
Power Consumption (Standby / Max)	1.5 W / 9.0 W	1.5 W / 5.0 W
Lamp(s)	100,000 Hour LEDs	100,000 Hour LEDs
Battery	Lithium Iron Phosphate	Lithium Nanophosphate®
Voltage (V) / Capacity (mAh)	3.2V / 3200mAh	3.2V / 2500mAh
Charging Method	Intelligent Current Limited Constant Voltage	Intelligent Current Limited Constant Voltage

TECHNICAL SPECIFICATIONS	
Operating Mode	Maintained – Sequencing inward green LEDs or illuminated Red X with side flashing red LED's activated on VF/24V input trigger & capable of being activated in power-on & battery-backed mode
Voltage (V) Frequency (Hz)	220-240V (50Hz)
Construction- Body/Diffuser	PC/ABS body with PC diffuser
Viewing Distance	24m
Mounting Type	Recessed, Surface Mount Options, Single-Sided
Operating Temperature	1°C to 40°C
IP Rating (IP)	IP20

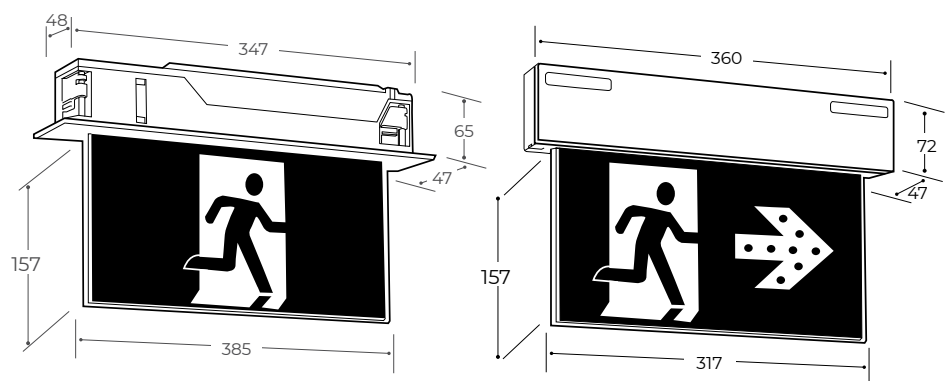
CLASSIFICATION	LP	L10
C0	E4	D5
C90	C32	C25

SPACING TABLE AND MOUNTING HEIGHTS – AS/NZS 2293.1:2018 (MINIMUM LIGHT LEVEL OF 0.2 LUX)									
Classification	2.1m	2.4m	2.7m	3.0m	3.3m	3.6m	4.0m	4.5m	5.0m
D5	7.8	8.0	8.1	8.2	8.2	8.1	8.0	7.7	7.2
E4	6.2	6.8	6.9	7.1	7.3	7.4	7.4	0.0	0.0
C25	9.4	10.0	10.5	11.0	11.5	11.9	12.4	12.9	13.4
C32	10.0	10.7	11.3	11.8	12.3	12.8	13.4	14.0	14.5

For 1 lux and AS/NZS 2293.1:2005 spacing tables please visit: <https://clevertronics.com.au/spacing-tables/>

Based on minimum light level of 0.2 lux. Maximum allowed mounting height is 2.7m but for exceptions see AS/NZS 2293.1. Spacing classifications do not apply for theatre versions.

*Warranty information located at: <https://clevertronics.com.au/warranty-statement/>



Dimensions (mm)

Disclaimer: Clevertronics Pty Ltd is a vendor of CleverEVAC products. It is not a fire engineer or designer. It does not purport to recommend its products for use in any particular application or to achieve any particular outcome. Purchasers and users of its products must take their own steps to ensure compliance with statutory requirements, safe practice and suitable application of the products.

The product details described in this document are current as at the version date of the document. We reserve the right to change product design, specifications or materials (Specifications) as part of our continuous improvement program. Images are indicative only. Please confirm the applicable Specifications at the time of placing your order.



The product details described in this document are current as at the version date of the document. We reserve the right to change product design, specifications or materials (Specifications) as part of our continuous improvement program. Images are indicative only. Please confirm the applicable Specifications at the time of placing your order.



EMERGENCY LIGHTING

EMERGENCY LIGHTING

Lifelight Recessed	90	Lifelight PRO Surface Mount Cylinder	108
Lifelight Recessed Splash-Proof	92	Lifelight PRO Surface Mount Weatherproof	110
Lifelight with Corridor Lens	94	Lifelight PRO Surface Mount Weatherproof Cylinder	112
Lifelight Surface Mount	96	Lifelight PRO Low Temperature	114
Lifelight Surface Mount Weatherproof	98	Weatherproof Twin POD	116
Lifelight Surface Mount with Warehouse Lens	100	Supalite	118
Lifelight PRO Recessed	102		
Lifelight PRO Recessed Splash-Proof	104		
Lifelight PRO Surface Mount	106		

LIFELIGHT



LED Recessed Emergency Light

The Lifelight provides a D40 emergency classification in a sleek architectural design. With market-leading lithium battery technology and energy efficient LEDs the Lifelight will deliver lower maintenance and energy costs.

As the first LED emergency light on the market, the Lifelight continues to lead the way in a variety of emergency lighting applications.

Applications

-  Office Buildings
-  Apartments
-  Schools
-  Retail outlets

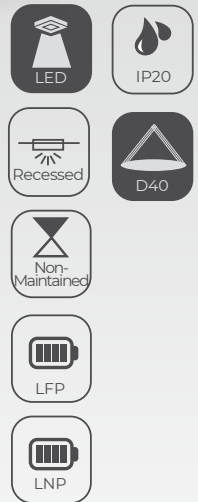
TRADE
S E R I E S
THE TRADES CHOICE

LP LITHIUM IRON
PHOSPHATE
PREMIUM
PREMIUM PROJECT PERFORMANCE

L10 LITHIUM
NANOPHOSPHATE®
OPTIMUM
NOTHING ELSE COMPETES WITH NANOPHOSPHATE®

Features and Benefits

- AS/NZS 2293.3 compliant
- D40 emergency classification
- 145mm adaptor plate for retrofitting
- Low power consumption
- Spring clips for easy installation
- Lithium Iron Phosphate or Nanophosphate® battery
- Clevertest Plus System compatible
- White or black as standard with other colours available on request



LIFELIGHT

ORDERING INFORMATION		TS	LP	L10
TEST OPTIONS / PART #	Standard - White	ELIFE-X-LI	CLIFE	LLIFE
	Standard - Black	-	CLIFE-BLK	LLIFE-BLK
	Clevertest Plus System Compatible	-	Yes	Yes
	DALI	-	CLIFE-DALI	LLIFE-DALI
	Zoneworks® XT Hive	-	CLIFE-HV	LLIFE-HV
Carton Quantity	10 Pieces			
Weight - Single (Carton)	0.5kg (8.2kg)	0.8kg (9.7kg)		
Dimensions (L x W x H) - Control Pack	232mm x 51mm x 42mm			
Dimensions - Head Diameter	95mm			
Dimensions - Adaptor Plate	145mm			
Ceiling Hole Cut-Out	85mm			
Minimum Ceiling Depth	120mm			

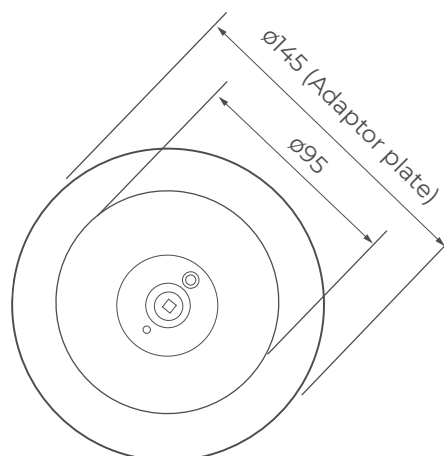
POWER, LAMPS AND BATTERY	TS	LP	L10
Power Consumption (Standby / Max)	0.3W / 1.3W	1.0W / 4.2W	1.0W / 4.2W
Lamp(s)	1 x LED		
Battery	Lithium Iron Phosphate		Lithium Nanophosphate®
Voltage (V) / Capacity (mAh)	3.2V / 3000mAh	3.2V / 3200mAh	3.3V / 2500mAh
Charging Method	Intelligent Current Limited Constant Voltage		

TECHNICAL SPECIFICATIONS		CLASSIFICATION	TS	LP	L10
Operating Mode	Non-Maintained	C0	D40	D40	D40
Voltage (V) Frequency (Hz)	220-240V (50Hz)	C90	D40	D40	D40
Operating Temperature	1°C to 40°C				
Ingress Protection Rating (IP)	IP20				

SPACING TABLE AND MOUNTING HEIGHTS – AS/NZS 2293.1:2018 (MINIMUM LIGHT LEVEL OF 0.2 LUX)														
Classification	2.1m	2.4m	2.7m	3.0m	3.3m	3.6m	4.0m	4.5m	5.0m	6.0m	7.0m	8.0m	9.0m	10.0m
D40	11.5	13.2	14.8	16.5	18.1	19.5	20.1	20.7	21.2	22.1	22.6	23.0	23.1	23.0

For 1 lux and AS/NZS 2293.1:2005 spacing tables please visit:
<https://clevertronics.com.au/spacing-tables/>

*Warranty information located at:
<https://clevertronics.com.au/warranty-statement/>



Dimensions (mm)

LIFELIGHT IP44 SPLASHPROOF



Recessed Lifelight with Splashproof Head



The Lifelight IP44 Splashproof is a recessed emergency luminaire that is designed for use in applications where an IP44 rating is required.

Complete with Lithium Iron Phosphate batteries to ensure low maintenance requirements.

Applications



Bathrooms



Aquatic Centres



Schools



Public Amenities



Gyms



Features and Benefits

- AS/NZS 2293.3 compliant
- LED lamp
- IP44
- D40 and D50 emergency classification
- Lithium Iron Phosphate or Nanophosphate® battery
- Clevertest Plus System compatible
- White or black as standard with other colours available on request



LIFELIGHT IP44 SPLASHPROOF

ORDERING INFORMATION		LP	L10
TEST OPTIONS / PART #	Standard - White	CLIFE-RECSP	LLIFE-RECSP
	Clevertest Plus System Compatible	Yes	
	DALI	CLIFE-RECSP-DALI	LLIFE-RECSP-DALI
	Zoneworks® XT Hive	CLIFE-RECSP-HV	LLIFE-RECSP-HV
Carton Quantity	1		
Weight - Single (Carton)	0.8kg		
Dimensions (L x W x H)	232mm X 51mm X 42mm - Control Pack 95mm - Head Diameter		
POWER, LAMPS AND BATTERY		LP	L10
Power Consumption (Standby / Max)*	1W / 4.2W	1W / 4.2W	
Lamp(s)	Single LED	Single LED	
Battery	Lithium Iron Phosphate	Lithium Nanophosphate®	
Voltage (V) / Capacity (mAh)	3.2V 3200mAh	3.3V 2500mAh	
Charging Method	Intelligent Current Limited Constant Voltage		

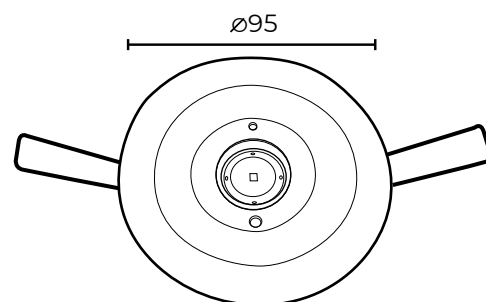
TECHNICAL SPECIFICATIONS	LP	L10	CLASSIFICATION*	LP	L10
	Operating Mode	Non-Maintained		C0	D50
Voltage (V) (Frequency (Hz))	240V AC; 50Hz		C90	D50	D40
Operating Temperature	1°C to 40°C				
Ingress Protection Rating (IP) (Parts Below Ceiling)	IP44				
Ingress Protection Rating (IP) (Parts Above Ceiling)	IP20				

SPACING TABLE AND MOUNTING HEIGHTS – AS/NZS 2293.1:2018 (MINIMUM LIGHT LEVEL OF 0.2 LUX)

Classification	2.1m	2.4m	2.7m	3.0m	3.3m	3.6m	4.0m	4.5m	5.0m	6.0m	7.0m	8.0m	9.0m	10.0m
D40	11.5	13.2	14.8	16.5	18.1	19.5	20.1	20.7	21.2	22.1	22.6	23.0	23.1	23.0
D50	11.5	13.2	14.8	16.5	18.1	19.8	21.8	22.5	23.1	24.1	24.9	25.4	25.7	25.8

■ Care should be taken when spacing luminaires at the distances indicated by the shaded regions to ensure conformance to AS/NZS2293.1, Clause 4.3 is maintained. A single emergency luminaire shall not serve an area of greater than 500 m².

For 1 lux and AS/NZS 2293.1:2005 spacing tables please visit: <https://clevertronics.com.au/spacing-tables/>



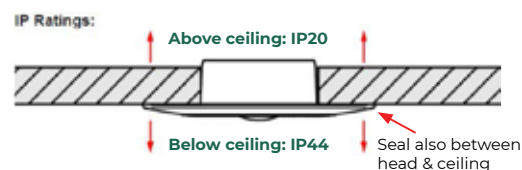
Ceiling hole cut-out = 80mm

Dimensions (mm)

Note: Spacing for mounting heights higher than 7.0m will depend on number of fittings used as the average of 0.5lx will change. For specific requirements, different corridor widths and 1lx spacing tables please contact Clevertronics (info@clevertronics.com.au).

To determine actual spacings refer to section, 4.6.1.3 Illuminance calculations, of AS/NZS2293.1:2018.

*Warranty information located at: <https://clevertronics.com.au/warranty-statement/>



The product details described in this document are current as at the version date of the document. We reserve the right to change product design, specifications or materials (Specifications) as part of our continuous improvement program. Images are indicative only. Please confirm the applicable Specifications at the time of placing your order.

LIFELIGHT CORRIDOR LENS



Corridor Optimised LED Emergency Light

The Lifelight Emergency Light with Corridor Lens is optimised for corridor escape routes to significantly reduce the number of emergency lights required.

With market leading lithium battery technology and energy efficient LEDs the Lifelight delivers lower maintenance and energy costs.

Applications



Apartments



Hotels



Hospitals



Back of House Service Corridors



Schools



Features and Benefits

- AS/NZS 2293.3 compliant
- Optimised lens for high ceiling warehouse applications
- Low 0.4W power consumption
- Lithium Iron Phosphate or Nanophosphate battery
- Clevertest Plus System compatible
- Available in white or black



LED



IP44



Recessed



IP65



Non-Maintained



Corridor Lens



LFP



LNP



LIFELIGHT CORRIDOR LENS

ORDERING INFORMATION		LP	LP SURFACE MOUNT	L10	L10 SURFACE MOUNT
TEST OPTIONS / PART #	Standard - White	CLIFE-RECSP-CL	CLIFE-SM-WP-CL	LLIFE-RECSP-CL	LLIFE-SM-WP-CL
	Standard - Black	CLIFE-RECSP-CL-BLK	CLIFE-SM-WP-CL-BLK	LLIFE-RECSP-CL-BLK	LLIFE-SM-WP-CL-BLK
	Clevertest Plus System Compatible	Yes			
	DALI	CLIFE-RECSP-CL-DALI	CLIFE-SM-WP-CL-DALI	LLIFE-RECSP-CL-DALI	LLIFE-SM-WP-CL-DALI
	Zoneworks® XT Hive	CLIFE-RECSP-CL-HV	CLIFE-SM-WP-CL-HV	LLIFE-RECSP-CL-HV	LLIFE-SM-WP-CL-HV
Carton Quantity	10	10	10	10	
Weight - single (carton)	0.8kg (8.6kg)	0.9kg (9.6kg)	0.8kg (8.6kg)	0.9kg (9.6kg)	
Dimensions (L X W X H)	95mm Diameter	247mm x 129mm x 51mm	95mm Diameter	247mm x 129mm x 51mm	
Dimensions - Control Pack (L X W X H)	232mm x 51mm x 42mm	-	232mm x 51mm x 42mm	-	

POWER, LAMPS AND BATTERY	LP	LP SURFACE MOUNT	L10	L10 SURFACE MOUNT
Power Consumption (Standby / Max)	1W / 4.2W		1W / 4.2W	
Lamp(s)	Single LED			
Battery	Lithium Iron Phosphate		Lithium Nanophosphate	
Voltage (V) / Capacity (mAh)	3.2V / 3200mAh		3.3V / 2500 mAh	
Charging Method	Intelligent Current Limited Constant Voltage			

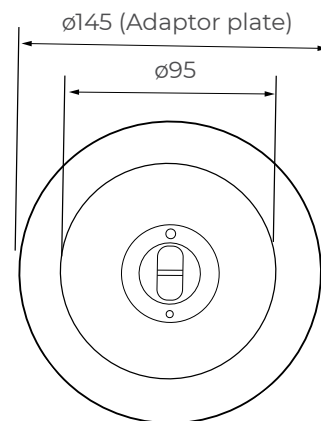
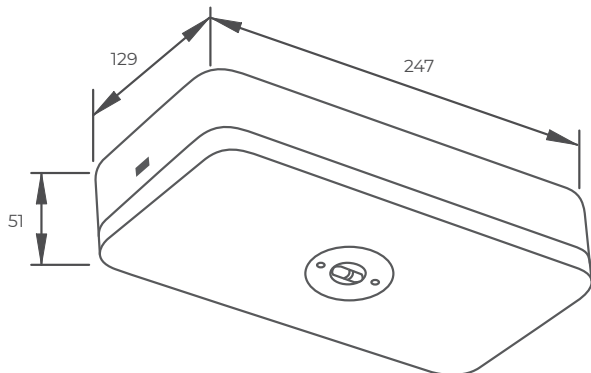
TECHNICAL SPECIFICATIONS	LP	LP SURFACE MOUNT	L10	L10 SURFACE MOUNT
Operating Mode	Non-Maintained			
Voltage (V) (Frequency (Hz))	240V AC (50HZ)			
Operating Temperature	1°C to 40°C	0°C to 40°C	1°C to 40°C	0°C to 40°C
Ingress Protection Rating (IP)	IP44	IP65	IP44	IP65
"Ingress Protection Rating (IP) (Parts above Ceiling)"	IP20	-	IP20	-

MANUFACTURER RECOMMENDED SPACING TABLE (Minimum Light Level of 0.2 Lux) For up to 2.5m corridor aisle width at various mounting heights to comply with 0.2lx min / 0.5lx avg AS/NZS 2293.1 requirements											
Mounting Height (m)	2.4m	2.7m	3.0m	3.3m	3.6m	4.0m	4.5m	5.0m	6.0m	7.0m	
NUMBER OF FITTINGS											
Single Fitting - Max Aisle Length (m)	23.5	25.5	28.5	30.1	32.5	34.3	36.9	39.5	44.1	19.2	
Two Fittings - Max Aisle Length (m)	54.9	59.5	64.9	68.8	73.4	77.9	83.7	89.3	99.4	69.2	
SPACINGS											
Fitting to Wall (m)		11.4	12.7	13.7	14.7	15.7	17.0	18.5	20.0	23.0	25.5
Fitting to Fitting (m)		29.2	31.7	34.1	36.4	38.7	41.6	45.1	48.5	55.0	61.0

Manufacturer's recommended spacing tables are a guide only and use of these product must be supported with illuminance calculations by the "designer" for the specific building/application in accordance with AS/NZS2293.1.

Please contact Clevertronics for spacing tables on alternative aisle widths or design support if required. IES files available on request.

*Warranty information located at: <https://clevertronics.com.au/warranty-statement/>



Dimensions (mm)

The product details described in this document are current as at the version date of the document. We reserve the right to change product design, specifications or materials (Specifications) as part of our continuous improvement program. Images are indicative only. Please confirm the applicable Specifications at the time of placing your order.

LIFELIGHT SURFACE MOUNT EMERGENCY



LED Surface Mount Emergency Light

The Lifelight Surface Mount provides a D40 emergency classification in a small and sleek polycarbonate housing that is easy to install.

With market-leading lithium battery technology and energy efficient LEDs, the Lifelight Surface Mount delivers low maintenance and energy costs.

Applications



Office Buildings



Apartments



Schools



Retail outlets

Features and Benefits

- AS/NZS 2293.3 compliant
- D40 emergency classification
- Low power consumption
- Lithium Iron Phosphate or Nanophosphate® battery
- Clevertest Plus System compatible
- White or black as standard with other colours available on request (LP & L10 only)



TRADE
S E R I E S
THE TRADES CHOICE

LP LITHIUM IRON PHOSPHATE
PREMIUM
PREMIUM PROJECT PERFORMANCE

L10 LITHIUM NANOPHOSPHATE®
OPTIMUM
NOTHING ELSE COMPETES WITH NANOPHOSPHATE®

LIFELIGHT SURFACE MOUNT EMERGENCY

ORDERING INFORMATION		TS	LP	L10
TEST OPTIONS / PART #	Standard - White	ELIFE-X-LI-SM	CLIFE-SM	LLIFE-SM
	Standard - Black	-	CLIFE-SM-BLK	LLIFE-SM-BLK
	Clevertest Plus System Compatible	No		Yes
	DALI	-	CLIFE-SM-DALI	LLIFE-SM-DALI
	Zoneworks® XT Hive	-	CLIFE-SM-HV	LLIFE-SM-HV
Carton Quantity	10 Pieces			
Weight - Single	0.6kg			
Dimensions (L x W x H)	242mm x 125mm x 48mm			

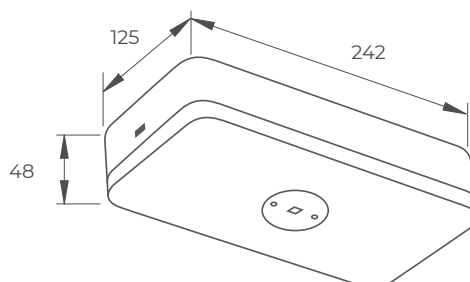
POWER, LAMPS AND BATTERY	TS	LP	L10
Power Consumption (Standby / Max)	0.4W / 1.3W	1.0W / 4.2W	1.0W / 4.2W
Lamp(s)	1 x LED		
Battery	Lithium Iron Phosphate		Lithium Nanophosphate®
Voltage (V) / Capacity (mAh)	3.2V / 3000mAh	3.2V / 3200mAh	3.3V / 2500mAh
Charging Method	Intelligent Current Limited Constant Voltage		

TECHNICAL SPECIFICATIONS	CLASSIFICATION		
	TS	LP	L10
Operating Mode	Non-Maintained		
Voltage (V) Frequency (Hz)	220-240V (50Hz)		
Operating Temperature	1°C to 40°C		
IP Rating (IP)	IP20		
	C0	D40	D40
	C90	D40	D40

SPACING TABLE AND MOUNTING HEIGHTS – AS/NZS 2293.1:2018 (MINIMUM LIGHT LEVEL OF 0.2 LUX)														
Classification	2.1m	2.4m	2.7m	3.0m	3.3m	3.6m	4.0m	4.5m	5.0m	6.0m	7.0m	8.0m	9.0m	10.0m
D40	11.5	13.2	14.8	16.5	18.1	19.5	20.1	20.7	21.2	22.1	22.6	23.0	23.1	23.0

For 1 lux and AS/NZS 2293.1:2005 spacing tables please visit:
<https://clevertronics.com.au/spacing-tables/>

*Warranty information located at:
<https://clevertronics.com.au/warranty-statement/>



Dimensions (mm)

The product details described in this document are current as at the version date of the document. We reserve the right to change product design, specifications or materials (Specifications) as part of our continuous improvement program. Please confirm the applicable Specifications at the time of placing your order.

LIFELIGHT SURFACE MOUNT WEATHERPROOF








Weatherproof LED Emergency Luminaire



The Lifelight Surface Mount Weatherproof emergency luminaire is designed for use in applications where an IP65 rating is required.

The slimline high impact IK08 polycarbonate enclosure makes installation easy and provides robustness in open areas.

Applications

-  Office Buildings
-  Apartments
-  Schools
-  Aquatic Centers
-  Car Parks

Features and Benefits

- AS/NZS 2293.3 compliant
- Low power consumption
- D40 or D50 emergency classification
- IP65 and IK08
- Lithium Iron Phosphate or Nanophosphate battery
- Corridor lens version available
- Clevertest Plus System compatible
- Available in white or black



TRADE
S E R I E S
THE TRADES CHOICE

LP LITHIUM IRON PHOSPHATE
PREMIUM
PREMIUM PROJECT PERFORMANCE

L10 LITHIUM NANOPHOSPHATE*
OPTIMUM
NOTHING ELSE COMPETES WITH NANOPHOSPHATE*

LIFELIGHT SURFACE MOUNT WEATHERPROOF

ORDERING INFORMATION	TS	LP	L10
Type	Integral	Integral	Integral
TEST OPTIONS / PART #			
Standard - White	ELIFE-X-LI-SM-WP	CLIFE-SM-WP	LLIFE-SM-WP
Clevertest Plus System Compatible		Yes	
DALI	-	CLIFE-SM-WP-DALI	LLIFE-SM-WP-DALI
Zoneworks® XT Hive	-	CLIFE-SM-WP-HV	LLIFE-SM-WP-HV
Carton Quantity	10 Pieces		
Weight - Single (Carton)	0.8kg	0.8kg	0.8kg
Dimensions (L x W x H)	247mm x 129mm x 51mm	247mm x 129mm x 51mm	247mm x 129mm x 51mm

POWER, LAMPS AND BATTERY	TS	LP	L10
Power Consumption (Standby / Max)*	0.4W / 1.3W	1W / 4.2W	1W / 4.2W
Lamp(s)	LED		
Battery	Lithium Iron Phosphate	Lithium Iron Phosphate	Lithium Nanophosphate®
Voltage (V) / Capacity (mAh)	3.2V / 3200mAh	3.2V / 3200mAh	3.3V / 2500mAh
Charging Method	Intelligent Current Limited Constant Voltage		

TECHNICAL SPECIFICATIONS	CLASSIFICATION*	TS	LP	L10
Operating Mode		Non-Maintained		
Voltage (V) (Frequency (Hz))		240V (50HZ)		
Operating Temperature		0°C to 40°C		
Ingress Protection Rating (IP)		IP65		
Impact Rating (IK)		IK08		
	C0	D50	D50	D40
	C90	D50	D50	D40

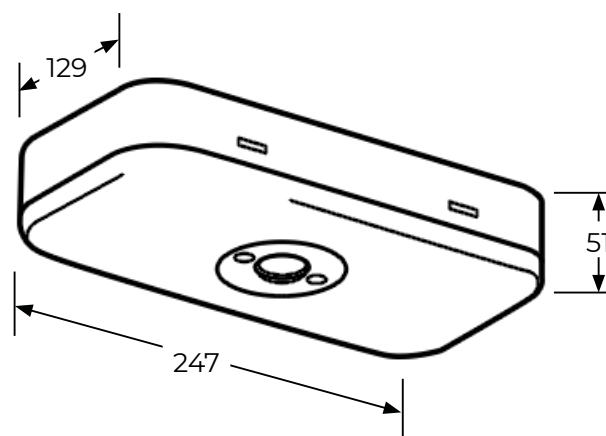
* Excludes corridor lens

SPACING TABLE AND MOUNTING HEIGHTS – AS/NZS 2293.1:2018 (MINIMUM LIGHT LEVEL OF 0.2 LUX) - EXCLUDES CORRIDOR LENS														
Classification	2.1m	2.4m	2.7m	3.0m	3.3m	3.6m	4.0m	4.5m	5.0m	6.0m	7.0m	8.0m	9.0m	10.0m
D40	11.5	13.2	14.8	16.5	18.1	19.5	20.1	20.7	21.2	22.1	22.6	23.0	23.1	23.0
D50	11.5	13.2	14.8	16.5	18.1	19.8	21.8	22.5	23.1	24.1	24.9	25.4	25.7	25.8

■ Care should be taken when spacing luminaires at the distances indicated by the shaded regions to ensure conformance to AS/NZS2293.1, Clause 4.3 is maintained. A single emergency luminaire shall not serve an area of greater than 500 m².

For 1 lux and AS/NZS 2293.1:2005 spacing tables please visit: <https://clevertronics.com.au/spacing-tables/>

*Warranty information located at: <https://clevertronics.com.au/warranty-statement/>



Dimensions (mm)

The product details described in this document are current as at the version date of the document. We reserve the right to change product design, specifications or materials (Specifications) as part of our continuous improvement program. Images are indicative only. Please confirm the applicable Specifications at the time of placing your order.

LIFELIGHT SURFACE MOUNT WAREHOUSE LENS



Warehouse Optimised LED Emergency Light

The Lifelight Surface Mount Emergency Light with Warehouse Lens is optimised for longer warehouse racking aisles to significantly reduce the number of emergency lights required.

With market leading lithium battery technology and energy efficient LEDs the Lifelight delivers lower maintenance and energy costs.

Applications



Features and Benefits

- AS/NZS 2293.3 compliant
- Optimised lens for longer warehouse racking aisle applications
- Low 0.4W power consumption
- Lithium Iron Phosphate or Nanophosphate battery
- Clevertest Plus System compatible
- Available in white or black





LIFELIGHT SURFACE MOUNT WAREHOUSE LENS

ORDERING INFORMATION		LP	LP WEATHERPROOF	L10	L10 WEATHERPROOF
TEST OPTIONS / PART #	Standard - White	CLIFE-PRO-SM-WL	CLIFE-PRO-SM-WP-WL	LLIFE-PRO-SM-WL	LLIFE-PRO-SM-WP-WL
	Standard - Black	CLIFE-PRO-SM-WL-BLK	CLIFE-PRO-SM-WP-WL-BLK	LLIFE-PRO-SM-WL-BLK	LLIFE-PRO-SM-WP-WL-BLK
	Clevertest Plus System Compatible	Yes			
	DALI	CLIFE-PRO-SM-WL-DALI	CLIFE-PRO-SM-WP-WL-DALI	LLIFE-PRO-SM-WL-DALI	LLIFE-PRO-SM-WP-WL-DALI
	Zoneworks® XT Hive	CLIFE-PRO-SM-WL-HV	CLIFE-PRO-SM-WP-WL-HV	LLIFE-PRO-SM-WL-HV	LLIFE-PRO-SM-WP-WL-HV
Carton Quantity	10 Pieces				
Weight - Single	0.7kg				
Dimensions (L x W x H)	242mm x 125mm x 48mm				

POWER, LAMPS AND BATTERY	LP	LP WEATHERPROOF	L10	L10 WEATHERPROOF
Power Consumption (Standby / Max)	0.4W / 2.7W			
Lamp(s)	2 x LED			
Battery	Lithium Iron Phosphate		Lithium Nanophosphate®	
Voltage (V) / Capacity (mAh)	3.2V / 6400mAh		3.3V / 5000mAh	
Charging Method	Intelligent Current Limited Constant Voltage			

TECHNICAL SPECIFICATIONS	LP	LP WEATHERPROOF	L10	L10 WEATHERPROOF
Operating Mode	Non-Maintained			
Voltage (V) (Frequency (Hz))	240V AC (50HZ)			
Operating Temperature	1°C to 40°C	0°C to 40°C	1°C to 40°C	0°C to 40°C
Ingress Protection Rating (IP)	IP20	IP65	IP20	IP65

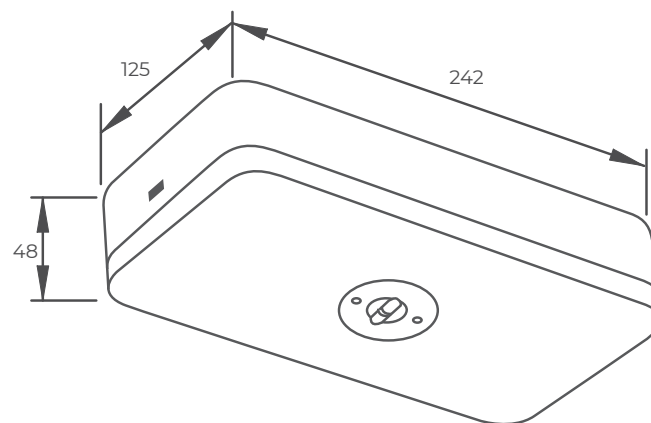
MANUFACTURER RECOMMENDED SPACING TABLE (Minimum Light Level of 0.2 Lux)
For up to 3.6m racking aisle width at various mounting heights to comply with 0.2lx min / 0.5lx avg AS/NZS 2293.1 requirements

Mounting Height (m)	2.4m	2.7m	3.0m	3.3m	3.6m	4.0m	4.5m	5.0m	6.0m	7.0m	8.0m	9.0m	10.0m	11.0m	12.0m	13.0m	14.0m	15.0m	
NUMBER OF FITTINGS																			
Single Fitting - Max Aisle Length (m)	23.0	25.5	27.5	29.5	31.5	34.1	37.1	40.1	46.1	51.1	56.0	60.2	63.5	54.5	28.4	n/a	n/a	n/a	
Two Fittings - Max Aisle Length (m)	52.0	57.1	61.5	65.8	70.1	75.6	82.1	88.5	101.0	112.0	122.7	132.2	138.8	112.9	74.0	105.5	97.2	n/a	
SPACINGS																			
Fitting to Wall (m)		11.4	12.7	13.7	14.7	15.7	17.0	18.5	20.0	23.0	25.5	28.0	30.1	31.7	27.2	14.2	35.8	39.3	n/a
Fitting to Fitting (m)		29.2	31.7	34.1	36.4	38.7	41.6	45.1	48.5	55.0	61.0	66.7	72.0	75.4	58.5	45.6	33.9	18.6	n/a

Manufacturer's recommended spacing tables are a guide only and use of these product must be supported with illuminance calculations by the "designer" for the specific building/application in accordance with AS/NZS2293.1.

Please contact Clevertronics for spacing tables on alternative aisle widths or design support if required. IES files available on request.

*Warranty information located at: <https://clevertronics.com.au/warranty-statement/>



Dimensions (mm)

The product details described in this document are current as at the version date of the document. We reserve the right to change product design, specifications or materials (Specifications) as part of our continuous improvement program. Images are indicative only. Please confirm the applicable Specifications at the time of placing your order.

LIFELIGHT PRO RECESSED EMERGENCY



Premium LED Emergency Light

The Lifelight Pro is an energy efficient, lithium powered LED emergency light in a small and sleek architectural design. The D80 classification of the Lifelight Pro provides an amazing 60% increase in emergency lighting coverage compared to many existing emergency lights on the market.

Suitable in a variety of applications the Lifelight Pro will provide outstanding performance and will reduce installation and maintenance costs.

Applications



Office Buildings



Showrooms



Galleries



Retail outlets



Apartments



Theatres



Features and Benefits

- AS/NZS 2293.3 compliant
- D80 emergency classification
- 95mm adaptor plate for retrofitting
- Low 0.4W power consumption
- Spring clips for easy installation
- Lithium Iron Phosphate or Nanophosphate® battery
- Clevertest Plus System compatible
- White or black (other colours on request)
- Round or square head



LIFELIGHT PRO RECESSED EMERGENCY

ORDERING INFORMATION		LP		L10	
TEST OPTIONS / PART #	Standard - White	CLIFE-PRO	CLIFE-PRO-SQ	LLIFE-PRO	LLIFE-PRO-SQ
	Standard - Black	CLIFE-PRO-BLK	CLIFE-PRO-SQ-BLK	LLIFE-PRO-BLK	LLIFE-PRO-SQ-BLK
	Clevertest Plus System Compatible	Yes			
	DALI	CLIFE-PRO-DALI	CLIFE-PRO-SQ-DALI	LLIFE-PRO-DALI	LLIFE-PRO-SQ-DALI
	Zoneworks® XT Hive	CLIFE-PRO-HV	CLIFE-PRO-SQ-HV	LLIFE-PRO-HV	LLIFE-PRO-SQ-HV
Carton Quantity	10 Pieces				
Weight - Single (Carton)	0.8kg (9.7kg)				
Dimensions (L x W x H) - Control Pack	232mm x 40mm x 40mm				
Dimensions - Head Diameter	60mm				
Dimensions - Adaptor Plate	95mm	-	95mm	-	
Ceiling Hole Cut-Out	51mm				
Minimum Ceiling Depth	200mm				

POWER, LAMPS AND BATTERY	LP	L10
Power Consumption (Standby / Max)	0.4W / 2.7W	
Lamp(s)	2 x LED	
Battery	Lithium Iron Phosphate	Lithium Nanophosphate®
Voltage (V) /Capacity (mAh)	3.2V / 6400mAh	3.3V / 5000mAh
Charging Method	Intelligent Current Limited Constant Voltage	

TECHNICAL SPECIFICATIONS	CLASSIFICATION	
	LP	L10
Operating Mode	Non-Maintained	
Voltage (V) Frequency (Hz)	220-240V (50Hz)	
Operating Temperature	1°C to 40°C	
IP Rating (IP)	IP20	
	C0	D80
	C90	D80

SPACING TABLE AND MOUNTING HEIGHTS – AS/NZS 2293.1:2018 (MINIMUM LIGHT LEVEL OF 0.2 LUX)														
Classification	2.1m	2.4m	2.7m	3.0m	3.3m	3.6m	4.0m	4.5m	5.0m	6.0m	7.0m	8.0m	9.0m	10.0m
D80	11.5	13.2	14.8	16.5	18.1	19.8	22.0	24.7	27.5	28.9	30.0	30.9	31.5	32.1

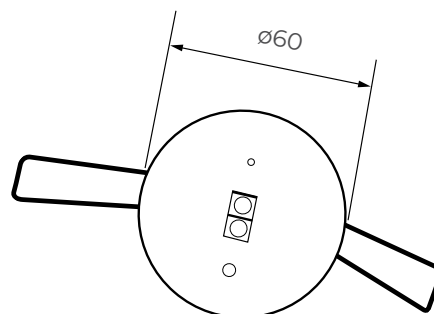
■ Care should be taken when spacing luminaires at the distances indicated by the shaded regions to ensure conformance to AS/NZS2293.1, Clause 4.3 is maintained. A single emergency luminaire shall not serve an area of greater than 500 m².

For 1 lux and AS/NZS 2293.1:2005 spacing tables please visit:
<https://clevertronics.com.au/spacing-tables/>

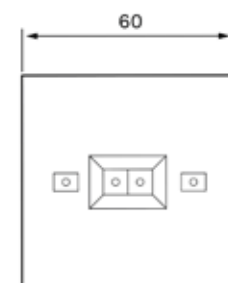
*Warranty information located at:
<https://clevertronics.com.au/warranty-statement/>

Product Configuration:

- ① Round head
- ② Square head



Dimensions (mm)



Ceiling hole cut-out = 51mm

LIFELIGHT PRO IP44 SPLASHPROOF



Recessed Lifelight Pro with Splashproof Head

The Lifelight Pro IP44 Splashproof is an energy efficient, Lithium powered LED emergency light for use in applications where an IP44 rating is required.

Featuring a sleek design and D80 emergency classification, the Lifelight Pro IP44 Splashproof will provide outstanding performance and reduce installation and maintenance costs.

Applications



Bathrooms



Aquatic Centres



Schools



Public Amenities



Gyms

Features and Benefits

- AS/NZS 2293.3 compliant
- LED lamp
- IP44 splashproof
- D80 emergency classification
- Low 0.4W power consumption
- Lithium Iron Phosphate or Nanophosphate battery
- Clevertest Plus System compatible



LIFELIGHT PRO IP44 SPLASHPROOF

ORDERING INFORMATION		LP	L10
TEST OPTIONS / PART #	Standard - White	CLIFE-PRO-RECSP	LLIFE-PRO-RECSP
	Clevertest Plus System Compatible	Yes	
	DALI	CLIFE-PRO-RECSP-DALI	LLIFE-PRO-RECSP-DALI
	Zoneworks® XT Hive	CLIFE-PRO-RECSP-HV	LLIFE-PRO-RECSP-HV
Carton Quantity	1		
Weight - Single (Carton)	0.8kg		
Dimensions (L x W x H)	232mm x 51mm x 42mm (Control Pack) 60mm (Head Diameter)#		
POWER, LAMPS AND BATTERY		LP	L10
Power Consumption (Standby / Max)*	0.4W / 2.7W	0.4W / 2.7W	
Lamp(s)	Dual LED	Dual LED	
Battery	Lithium Iron Phosphate	Lithium Nanophosphate®	
Voltage (V) / Capacity (mAh)	3.2V / 6400mAh	3.3V / 5000mAh	
Charging Method	Intelligent Current Limited Constant Voltage		

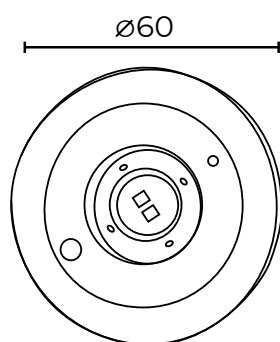
TECHNICAL SPECIFICATIONS	CLASSIFICATION*	
	LP	L10
Operating Mode	Non-Maintained	
Voltage (V) (Frequency (Hz))	240V AC; 50Hz	
Operating Temperature	1°C to 40°C	
Ingress Protection Rating (IP) (Parts Below Ceiling)	IP44	
Ingress Protection Rating (IP) (Parts Above Ceiling)	IP20	
	C0	D80
	C90	D80

SPACING TABLE AND MOUNTING HEIGHTS – AS/NZS 2293.1:2018 (MINIMUM LIGHT LEVEL OF 0.2 LUX)														
Classification	2.1m	2.4m	2.7m	3.0m	3.3m	3.6m	4.0m	4.5m	5.0m	6.0m	7.0m	8.0m	9.0m	10.0m
D80	11.5	13.2	14.8	16.5	18.1	19.8	22.0	24.7	27.5	28.9	30.0	30.9	31.5	32.1

■ Care should be taken when spacing luminaires at the distances indicated by the shaded regions to ensure conformance to AS/NZS2293.1, Clause 4.3 is maintained. A single emergency luminaire shall not serve an area of greater than 500 m².

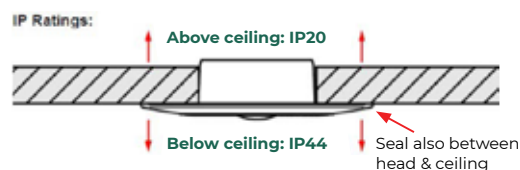
For 1 lux and AS/NZS 2293.1:2005 spacing tables please visit: <https://clevertronics.com.au/spacing-tables/>

*Warranty information located at: <https://clevertronics.com.au/warranty-statement/>



Ceiling hole cut-out = 51mm
Dimensions (mm)

Due to the small head and ceiling cut-out, access from behind/above the ceiling is required for installation.



The product details described in this document are current as at the version date of the document. We reserve the right to change product design, specifications or materials (Specifications) as part of our continuous improvement program. Images are indicative only. Please confirm the applicable Specifications at the time of placing your order.

LIFELIGHT PRO SURFACE MOUNT EMERGENCY







Premium LED Emergency Light

The Lifelight Pro Surface Mount provides a D80 emergency classification in a small and sleek polycarbonate housing that is easy to install.

With market-leading lithium battery technology and energy efficient LEDs, the Lifelight Pro Surface Mount delivers lower maintenance and energy costs.



Applications

- | | |
|---|--|
|  Office Buildings |  Showrooms |
|  Galleries |  Retail Outlets |
|  Apartments |  Theatres |



Features and Benefits

- AS/NZS 2293.3 compliant
- D80 emergency classification
- Low 0.4W power consumption
- Lithium Iron Phosphate or Nanophosphate® battery
- Clevertest Plus System compatible
- White or Black as standard with other colours on request



LIFELIGHT PRO SURFACE MOUNT EMERGENCY

ORDERING INFORMATION		LP	L10
TEST OPTIONS / PART #	Standard - White	CLIFE-PRO-SM	LLIFE-PRO-SM
	Standard - Black	CLIFE-PRO-SM-BLK	LLIFE-PRO-SM-BLK
	Clevertest Plus System Compatible	Yes	
	DALI	CLIFE-PRO-SM-DALI	LLIFE-PRO-SM-DALI
	Zoneworks® XT Hive	CLIFE-PRO-SM-HV	LLIFE-PRO-SM-HV
Carton Quantity	10 Pieces	10 Pieces	
Weight - Single	0.7kg	0.7kg	
Dimensions (L x W x H)	242mm x 125mm x 48mm		

POWER, LAMPS AND BATTERY	LP	L10
Power Consumption (Standby / Max)	0.4W / 2.7W	
Lamp(s)	2 x LED	
Battery	Lithium Iron Phosphate	Lithium Nanophosphate®
Voltage (V) / Capacity (mAh)	3.2V / 6400mAh	3.3V / 5000mAh
Charging Method	Intelligent Current Limited Constant Voltage	

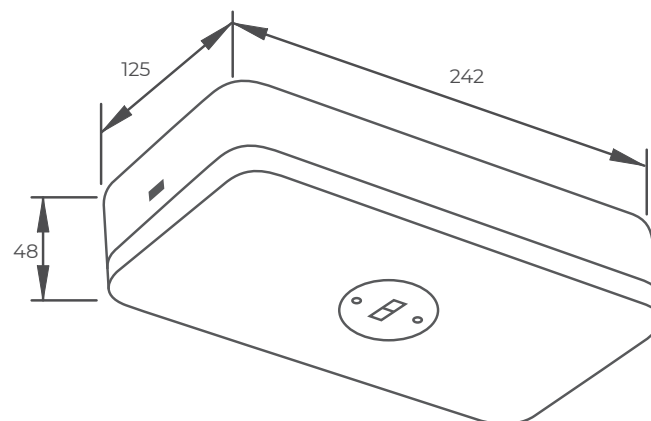
TECHNICAL SPECIFICATIONS	CLASSIFICATION	
	LP	L10
Operating Mode	Non-Maintained	
Voltage (V) Frequency (Hz)	220-240V (50Hz)	
Operating Temperature	1°C to 40°C	
IP Rating (IP)	IP20	
	C0	D80
	C90	D80

SPACING TABLE AND MOUNTING HEIGHTS – AS/NZS 2293.1:2018 (MINIMUM LIGHT LEVEL OF 0.2 LUX)														
Classification	2.1m	2.4m	2.7m	3.0m	3.3m	3.6m	4.0m	4.5m	5.0m	6.0m	7.0m	8.0m	9.0m	10.0m
D80	11.5	13.2	14.8	16.5	18.1	19.8	22.0	24.7	27.5	28.9	30.0	30.9	31.5	32.1

■ Care should be taken when spacing luminaires at the distances indicated by the shaded regions to ensure conformance to AS/NZS2293.1, Clause 4.3 is maintained. A single emergency luminaire shall not serve an area of greater than 500 m².

For 1 lux and AS/NZS 2293.1:2005 spacing tables please visit:
<https://clevertronics.com.au/spacing-tables/>

*Warranty information located at:
<https://clevertronics.com.au/warranty-statement/>



Dimensions (mm)

LIFELIGHT PRO CYLINDER SURFACE MOUNT EMERGENCY



Premium LED Emergency Light

The Lifelight Pro Cylinder is an energy efficient, lithium powered LED emergency light in a small and sleek architectural design. The D80 classification of the Lifelight Pro provides an amazing 60% increase in emergency lighting coverage compared to many existing emergency lights on the market.

Suitable in a variety of applications the Lifelight Pro Cylinder will provide outstanding performance and too many will reduce installation and maintenance costs.

Applications



Office Buildings



Showrooms



Galleries



Retail Outlets



Apartments



Theatres

Features and Benefits

- AS/NZS 2293.3 compliant
- D80 emergency classification
- Low 0.4W power consumption
- Lithium Iron Phosphate or Nanophosphate® battery
- Clevertest Plus System compatible
- White or black
(other colours on request)



LIFELIGHT PRO CYLINDER SURFACE MOUNT EMERGENCY

ORDERING INFORMATION		LP	L10
TEST OPTIONS / PART #	Standard - White	CLIFE-PRO-SMC	LLIFE-PRO-SMC
	Standard - Black	CLIFE-PRO-SMC-BLK	LLIFE-PRO-SMC-BLK
	Clevertest Plus System Compatible	Yes	
	DALI	CLIFE-PRO-SMC-DALI	LLIFE-PRO-SMC-DALI
	Zoneworks® XT Hive	CLIFE-PRO-SMC-HV	LLIFE-PRO-SMC-HV
Carton Quantity	1 Piece	1 Piece	
Weight - Single	1.9kg	1.9kg	
Dimensions (L x W x H)	128mm (D) x 245mm	128mm (D) x 245mm	

POWER, LAMPS AND BATTERY	LP	L10
Power Consumption (Standby / Max)	0.4W / 2.7W	
Lamp(s)	2 x LED	
Battery	Lithium Iron Phosphate	Lithium Nanophosphate®
Voltage (V) / Capacity (mAh)	3.2V / 6400mAh	3.3V / 5000mAh
Charging Method	Intelligent Current Limited Constant Voltage	

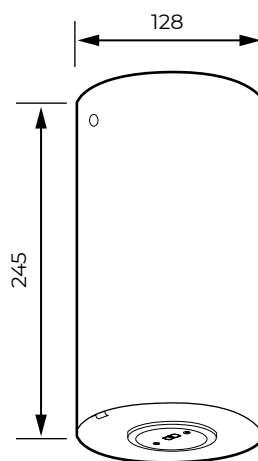
TECHNICAL SPECIFICATIONS	CLASSIFICATION		
	LP	L10	
Operating Mode	Non-Maintained		
Voltage (V) Frequency (Hz)	220-240V (50Hz)		
Operating Temperature	1°C to 40°C		
IP Rating (IP)	IP20		
	C0	D80	D80
	C90	D80	D80

SPACING TABLE AND MOUNTING HEIGHTS – AS/NZS 2293.1:2018 (MINIMUM LIGHT LEVEL OF 0.2 LUX)														
Classification	2.1m	2.4m	2.7m	3.0m	3.3m	3.6m	4.0m	4.5m	5.0m	6.0m	7.0m	8.0m	9.0m	10.0m
D80	11.5	13.2	14.8	16.5	18.1	19.8	22.0	24.7	27.5	28.9	30.0	30.9	31.5	32.1

■ Care should be taken when spacing luminaires at the distances indicated by the shaded regions to ensure conformance to AS/NZS2293.1, Clause 4.3 is maintained. A single emergency luminaire shall not serve an area of greater than 500 m².

For 1 lux and AS/NZS 2293.1:2005 spacing tables please visit: <https://clevertronics.com.au/spacing-tables/>

*Warranty information located at: <https://clevertronics.com.au/warranty-statement/>



Dimensions (mm)

LIFELIGHT PRO SURFACE MOUNT WEATHERPROOF



High Performance Weatherproof LED Emergency Luminaire

The Lifelight Pro Surface Mount Weatherproof emergency luminaire has a D80 classification and is designed for use in applications where an IP65 rating is required.

The slimline high impact IK08 polycarbonate enclosure makes installation easy and provides robustness in open areas.

Applications



Apartments



Aquatic Centers



Schools



Public Buildings



Car Parks



Features and Benefits

- AS/NZS 2293.3 compliant
- D80 emergency classification
- IP65 and IK08
- Low 0.4W power consumption
- Lithium Iron Phosphate or Nanophosphate battery
- Warehouse lens version available
- Clevertest Plus System compatible
- Available in white or black



LIFELIGHT PRO SURFACE MOUNT WEATHERPROOF

ORDERING INFORMATION	LP	L10
Type	Integral Battery	Integral Battery
TEST OPTIONS / PART #		
Standard - White	CLIFE-PRO-SM-WP	LLIFE-PRO-SM-WP
Clevertest Plus System Compatible	Yes	
DALI	CLIFE-PRO-SM-WP-DALI	LLIFE-PRO-SM-WP-DALI
Zoneworks® XT Hive	CLIFE-PRO-SM-WP-HV	LLIFE-PRO-SM-WP-HV
Carton Quantity	10 Pieces	
Weight - Single (Carton)	0.8kg	0.8kg
Dimensions (L x W x H)	247mm x 129mm x 51mm	247mm x 129mm x 51mm

POWER, LAMPS AND BATTERY	LP	L10
Power Consumption (Standby / Max)*	0.4W / 2.7W	0.4W / 2.7W
Lamp(s)	Dual LED	
Battery	Lithium Iron Phosphate	Lithium Nanophosphate®
Voltage (V) / Capacity (mAh)	3.2V / 6400mAh	3.3V / 5000mAh
Charging Method	Intelligent Current Limited Constant Voltage	

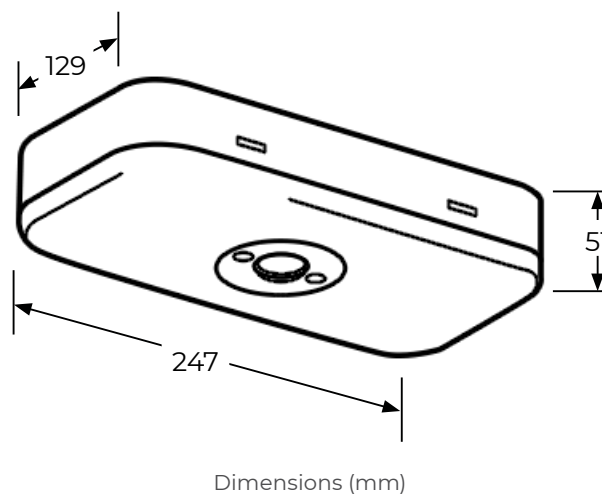
TECHNICAL SPECIFICATIONS		CLASSIFICATION	
		LP	L10
Operating Mode	Non-Maintained		
Voltage (V) (Frequency (Hz))	240V AC (50HZ)		
Operating Temperature	0 °C to 40 °C		
Ingress Protection Rating (IP)	IP65		
		D80	D80
		D80	D80

SPACING TABLE AND MOUNTING HEIGHTS – AS/NZS 2293.1:2018 (MINIMUM LIGHT LEVEL OF 0.2 LUX)														
Classification	2.1m	2.4m	2.7m	3.0m	3.3m	3.6m	4.0m	4.5m	5.0m	6.0m	7.0m	8.0m	9.0m	10.0m
D80	11.5	13.2	14.8	16.5	18.1	19.8	22	24.7	27.5	28.9	30	30.9	31.5	32.1

■ Care should be taken when spacing luminaires at the distances indicated by the shaded regions to ensure conformance to AS/NZS2293.1, Clause 4.3 is maintained. A single emergency luminaire shall not serve an area of greater than 500 m².

For 1 lux and AS/NZS 2293.1:2005 spacing tables please visit: <https://clevertronics.com.au/spacing-tables/>

*Warranty information located at: <https://clevertronics.com.au/warranty-statement/>



LIFELIGHT PRO WEATHERPROOF CYLINDER EMERGENCY



Premium Weatherproof LED Emergency Light

The Lifelight Pro Weatherproof Cylinder is an energy efficient, lithium powered LED emergency light in a small and sleek architectural design.

Suitable in a variety of applications the Lifelight Pro Weatherproof Cylinder will provide outstanding performance and too many will reduce installation and maintenance costs.

Applications

- | | |
|---|--|
|  Office Buildings |  Showrooms |
|  Galleries |  Retail Outlets |
|  Apartments |  Theatres |

Features and Benefits

- AS/NZS 2293.3 compliant
- D50 emergency classification
- Low 0.4W power consumption
- Lithium Nanophosphate® battery
- Clevertest Plus System compatible
- White or black
(other colours on request)



L10 LITHIUM NANOPHOSPHATE®
OPTIMUM
NOTHING ELSE COMPETES WITH NANOPHOSPHATE®

LIFELIGHT PRO WEATHERPROOF CYLINDER EMERGENCY

ORDERING INFORMATION		L10 CEILING MOUNT	L10 WALL MOUNT
TEST OPTIONS / PART #	Standard - White	LWPLIFE-PRO-CM	LWPLIFE-PRO-WM
	Standard - Black	LWPLIFE-PRO-CM-BLK	LWPLIFE-PRO-WM-BLK
	Clevertest Plus System Compatible	Yes	
	DALI	LWPLIFE-PRO-DALI-CM	LWPLIFE-PRO-DALI-WM
	Zoneworks® XT Hive	LWPLIFE-PRO-HV-CM	LWPLIFE-PRO-HV-WM
Carton Quantity	1 Piece		
Weight - Single	3.8kg	5.0kg	
Dimensions (L x W x H)	186mm x 186mm x 294mm	260mm x 186mm x 287mm	

POWER, LAMPS AND BATTERY	L10
Power Consumption (Standby / Max)	0.4W / 2.7W
Lamp(s)	2 x LED
Battery	Lithium Nanophosphate®
Voltage (V) / Capacity (mAh)	3.3V / 5000mAh
Charging Method	Intelligent Current Limited Constant Voltage

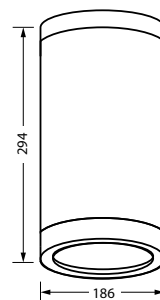
TECHNICAL SPECIFICATIONS		CLASSIFICATION	
Operating Mode	Non-Maintained	C0	D50
Voltage (V) Frequency (Hz)	220-240V (50Hz)	C90	D50
Operating Temperature	0°C to 40°C		
IP Rating (IP)	IP65		
Impact Rating (IK)	IK10		

SPACING TABLE AND MOUNTING HEIGHTS – AS/NZS 2293.1:2018 (MINIMUM LIGHT LEVEL OF 0.2 LUX)														
Classification	2.1m	2.4m	2.7m	3.0m	3.3m	3.6m	4.0m	4.5m	5.0m	6.0m	7.0m	8.0m	9.0m	10.0m
D50	11.5	13.2	14.8	16.5	18.1	19.8	22.0	24.7	27.5	28.9	30.0	30.9	31.5	32.1

■ Care should be taken when spacing luminaires at the distances indicated by the shaded regions to ensure conformance to AS/NZS2293.1, Clause 4.3 is maintained. A single emergency luminaire shall not serve an area of greater than 500 m².

For 1 lux and AS/NZS 2293.1:2005 spacing tables please visit: <https://clevertronics.com.au/spacing-tables/>

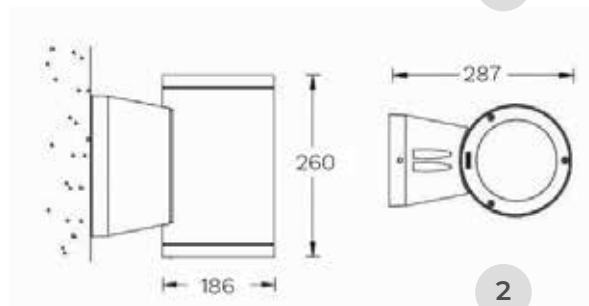
*Warranty information located at: <https://clevertronics.com.au/warranty-statement/>



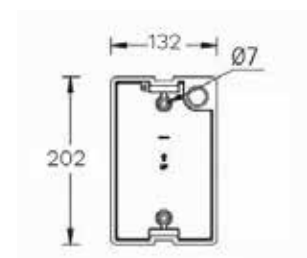
1

Product Configuration:

- 1 Ceiling Mounted
- 2 Wall Mounted



2



Dimensions (mm)

LOW TEMPERATURE EMERGENCY



Emergency Lighting for Low Temperature Applications

The Low Temperature Emergency lighting range is designed for cool room and freezer applications where the temperature can drop to -40°C .

The range comprises of an integrated option that is rated for -25°C and a remote control gear option that will handle -40°C .

Both options are constructed with polycarbonate enclosures and are rated IP66/67.

Applications



Cool Rooms



Food Processing



Freezers



Alpine Regions

LP LITHIUM IRON PHOSPHATE
PREMIUM
PREMIUM PROJECT PERFORMANCE

L10 LITHIUM NANOPHOSPHATE
OPTIMUM
NOTHING ELSE COMPETES WITH NANOPHOSPHATE



Features and Benefits

- AS/NZS 2293.3 compliant
- LED lamps
- IP66/67
- IK08
- -25°C and -40°C options
- Clevertest Plus System compatible



LOW TEMPERATURE EMERGENCY

ORDERING INFORMATION		LP 1 2	L10 1 2	L10 3
TESTIMONIALS / PART #	Standard	CLIFE-PRO-WP-IPREM	LLIFE-PRO-WP-IPREM	LWPLIFE-PRO-FZR
	Clevertest Plus System Compatible	Yes	Yes	Yes
	DALI	CLIFE-PRO-WP-DALI-IPREM	LLIFE-PRO-WP-DALI-IPREM	LWPLIFE-PRO-FZR-DALI
	Zoneworks® XT Hive	CLIFE-PRO-WP-HV-IPREM	LLIFE-PRO-WP-HV-IPREM	LWPLIFE-PRO-FZR-HV
Carton Quantity	1			
Weight - Single (Carton)	1.4kg		3.5kg	
Dimensions (L x W x H) - Control Pack	232mm x 40mm x 40mm		380mm x 190mm x 130mm	
Dimensions (L x W x H) - Head	122mm x 120mm x 75mm		122mm x 120mm x 75mm	

POWER, LAMPS AND BATTERY	LP 1 2	L10 1 2	L10 3
Power Consumption (Standby / Max)	0.4W / 4.7W	0.4W / 4.7W	0.4W / 2.7W
Lamp(s)	Dual LED (Lifetime Warranty on the Lamp Head and Loom Assembly)		
Battery	Lithium Iron Phosphate	Lithium Nanophosphate®	Lithium Nanophosphate®
Voltage / Capacity (mAh)	3.2V / 6400mAh	3.3V / 5000mAh	3.3V / 5000mAh
Charging Method	Intelligent Current Limited Constant Voltage		

TECHNICAL SPECIFICATIONS	LP 1 2	L10 1 2	L10 3
Operating Mode	Non-Maintained		
Voltage (V) (Frequency (Hz))	240V AC (50HZ)		
Operating Temperature	1°C to 40°C (Control Pack) -40°C to 40°C (Lamp Head)		-25°C to 40°C
Ingress Protection Rating (IP)	IP66		IP66/67
Impact Rating (IK)	IK08		

CLASSIFICATION	LP 1 2	L10 1 2	L10 3
C0	D63	D63	D50
C90	D63	D63	D50

SPACING TABLE AND MOUNTING HEIGHTS – AS/NZS 2293.1:2018 (MINIMUM LIGHT LEVEL OF 0.2 LUX)														
Classification	2.1m	2.4m	2.7m	3.0m	3.3m	3.6m	4.0m	4.5m	5.0m	6.0m	7.0m	8.0m	9.0m	10.0m
D50	11.5	13.2	14.8	16.5	18.1	19.8	21.8	22.5	23.1	24.1	24.9	25.4	25.7	25.8
D63	11.5	13.2	14.8	16.5	18.1	19.8	22.00	24.5	25.2	26.4	27.3	28.0	28.5	28.8

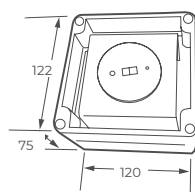
Care should be taken when spacing luminaires at the distances indicated by the shaded regions to ensure conformance to AS/NZS2293.1, Clause 4.3 is maintained. A single emergency luminaire shall not serve an area of greater than 500 m².

For 1 lux and AS/NZS 2293.1:2005 spacing tables please visit: <https://clevertronics.com.au/spacing-tables/>

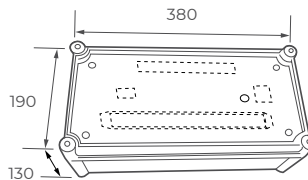
*Warranty information located at: <https://clevertronics.com.au/warranty-statement/>

Product Configuration:

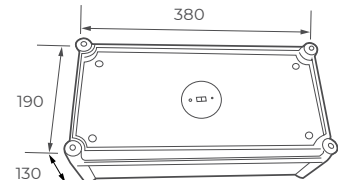
- 1 Surface Mount with WP Remote Enclosed Gear (-40°C)
- 2 Surface Mount with Integral Gear (-25°C)



1



2



3

Dimensions (mm)

WEATHERPROOF TWIN EMERGENCY POD



Weatherproof Twin LED Emergency light

The Weatherproof Twin Emergency Pod is perfect for external applications where moisture or dust is present like car parks and storage areas.

Constructed with a polycarbonate enclosure with an IP66/67 rating and D160 classification.

With market leading lithium battery technology and energy efficient LEDs the Weatherproof Twin Emergency Pod will also deliver lower maintenance and energy costs.

Applications



Warehouses



Schools



Factories



Public Amenities



Car Parks



Stairwells



Features and Benefits

- AS/NZS 2293.3 compliant
- Twin rotatable LED pods
- IP66/67
- Nanophosphate® battery
- Clevertest Plus System compatible



LIO LITHIUM NANOPHOSPHATE®
OPTIMUM
NOTHING ELSE COMPETES WITH NANOPHOSPHATE®

WEATHERPROOF TWIN EMERGENCY POD

ORDERING INFORMATION		L10
TEST OPTIONS / PART #	Standard - White	LWP2LIFE-PRO-WPPOD
	Clevertest Plus System Compatible	Yes
	DALI	LWP2LIFE-PRO-WPPOD-DALI
	Zoneworks® XT Hive	LWP2LIFE-PRO-WPPOD-HV
Carton Quantity	1 Piece	
Weight - Single (Carton)	3.4kg	
Dimensions (L x W x H)	520mm x 180mm x 135mm	

POWER, LAMPS AND BATTERY		L10
Power Consumption (Standby / Max)	0.8W / 5.5W	
Lamp(s)	Twin Dual LED	
Battery	Lithium Nanophosphate®	
Voltage (V) / Capacity (mAh)	3.3V / 2500mAh	
Charging Method	Intelligent Current Limited Constant Voltage	

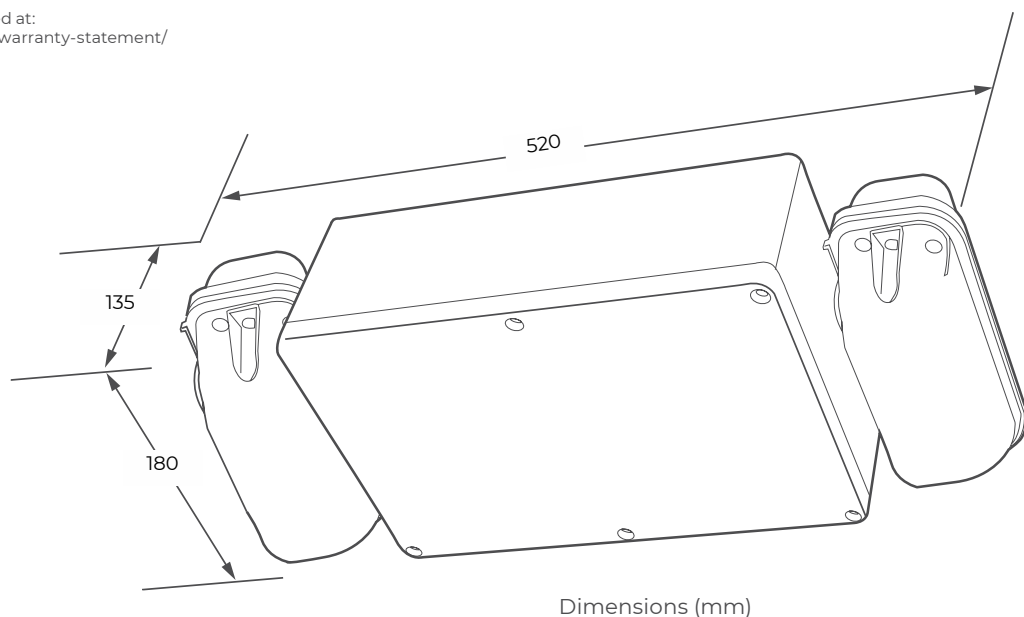
TECHNICAL SPECIFICATIONS		CLASSIFICATION	L10 (CEILING MOUNT)
Operating Mode	Non-Maintained	C0	D160
Voltage (V) Frequency (Hz)	220-240V (50Hz)	C90	D160
Operating Temperature	0°C to 40°C		
IP Rating (IP)	IP66/67		

SPACING TABLE AND MOUNTING HEIGHTS – AS/NZS 2293.1:2018 (MINIMUM LIGHT LEVEL OF 0.2 LUX)														
Classification	2.1m	2.4m	2.7m	3.0m	3.3m	3.6m	4.0m	4.5m	5.0m	6.0m	7.0m	8.0m	9.0m	10.0m
D160	11.5	13.2	14.8	16.5	18.1	19.8	22.0	24.7	27.5	33.0	38.5	40.2	41.4	42.5

■ Care should be taken when spacing luminaires at the distances indicated by the shaded regions to ensure conformance to AS/NZS2293.1, Clause 4.3 is maintained. A single emergency luminaire shall not serve an area of greater than 500 m².

For 1 lux and AS/NZS 2293.1:2005 spacing tables please visit:
<https://clevertronics.com.au/spacing-tables/>

*Warranty information located at:
<https://clevertronics.com.au/warranty-statement/>





LED Emergency Flood Light

The Supalite LED flood is available in a standard or IP65 weatherproof and is ideal for applications such as loading bays, car parks and evacuation points.

Market leading lithium battery technology delivers lower maintenance costs and LED lamps provide a low standby power rating that will reduce energy costs significantly.



Applications

- | | |
|---|---|
|  Warehouses |  Car Parks |
|  Factories |  Sports Facilities |
|  Schools |  Railway Stations |

Features and Benefits

- AS/NZS 2293.3 compliant
- IP65 version
- Low power consumption
- LED lamps
- 350-1200 lumen options
- Lithium Iron Phosphate or Nanophosphate® battery
- Clevertest Plus System compatible



TRADE
SERIES
THE TRADES CHOICE

LP LITHIUM IRON PHOSPHATE
PREMIUM
PREMIUM PROJECT PERFORMANCE

L10 LITHIUM NANOPHOSPHATE®
OPTIMUM
NOTHING ELSE COMPETES WITH NANOPHOSPHATE®

SUPALITE

ORDERING INFORMATION		TS ①	LP ①	LP WEATHERPROOF ②	L10 ①	L10 WEATHERPROOF ②
TEST OPTIONS / PART#	Standard - White	EFILLED-LI	CFLLED	CWFLED	LFILLED	LWFLED
	Standard - Black	-	CFLLED-BLK	CWFLED-BLK	LFILLED-BLK	LWFLED-BLK
	Clevertest Plus System Compatible	No	Yes			
	DALI	-	CFLLED-DALI	CWFLED-DALI	LFILLED-DALI	LWFLED-DALI
	Zoneworks® XT Hive	-	CFLLED-HV	CWFLED-HV	LFILLED-HV	LWFLED-HV
Carton Quantity	10	10	1	10	1	
Weight - Single (Carton)	1.4kg (15.2kg)	1.4kg (15.2kg)	3.6kg	1.4kg (15.2kg)	3.6kg	
Dimensions (L x W x H)	282mm x 64mm x 225mm	282mm x 64mm x 225mm	380mm x 130mm x 310mm	282mm x 64mm x 225mm	380mm x 130mm x 310mm	

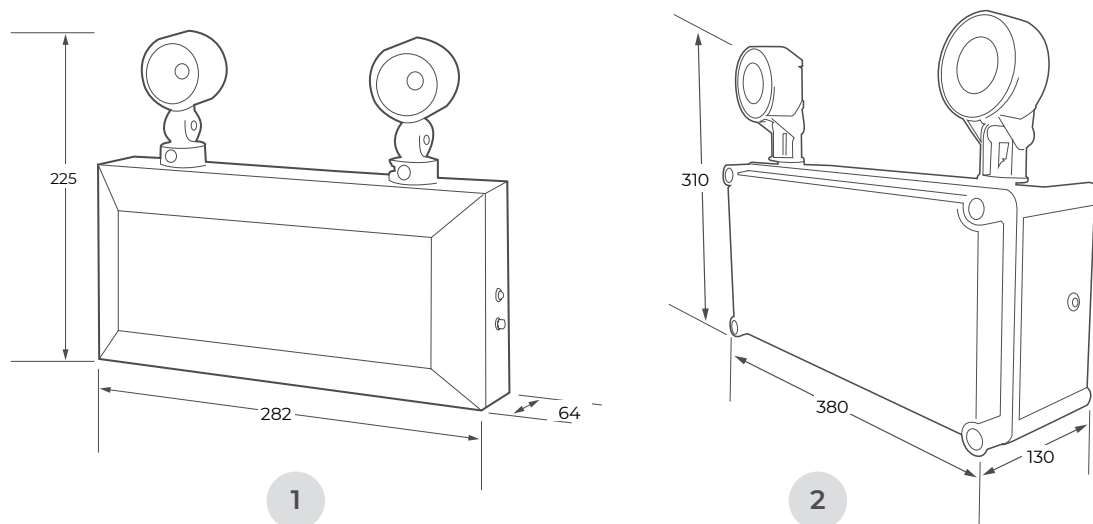
POWER, LAMPS AND BATTERY	TS	LP	LP W/PROOF	L10	L10 W/PROOF
Power Consumption (Standby / Max)	0.4W / 2.4W	0.4W / 1.7W	1.0W / 5.4W	0.4W / 2.2W	1.0W / 5.4W
Lamp(s)	2 x LED Heads				
Lumen Output (Per Head / Total)	175lm / 350lm	185lm / 370lm	600lm / 1200lm	185lm / 370lm	495lm / 990lm
Battery	Lithium Iron Phosphate			Lithium Nanophosphate®	
Voltage / Capacity (mAh)	3.2V / 6000mAh	3.2V / 6400mAh	6.4V / 3200mAh	3.3V / 5000mAh	6.6V / 2500mAh
Charging Method	Intelligent Current Limited Constant Voltage				

TECHNICAL SPECIFICATIONS	TS	LP	LP W/PROOF	L10	L10 W/PROOF
Operating Mode	Non-Maintained				
Voltage (V) (Frequency (Hz))	220-240V (50Hz)				
Operating Temperature	1°C to 40°C	1°C to 40°C	0°C to 40°C	1°C to 40°C	0°C to 40°C
Ingress Protection Rating (IP)	IP20	IP20	IP65	IP20	IP65

*Warranty information located at:
<https://clevertronics.com.au/warranty-statement/>

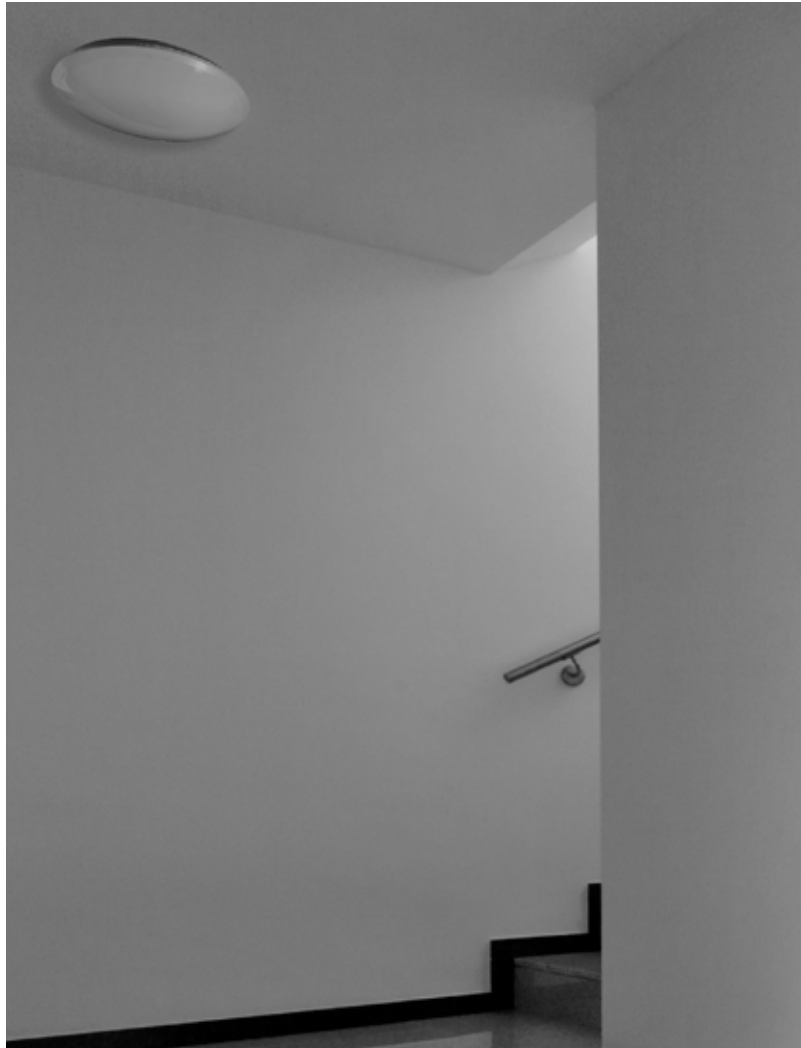
Product Configuration:

- ① Supalite
- ② Weatherproof Supalite



Dimensions (mm)

The product details described in this document are current as at the version date of the document. We reserve the right to change product design, specifications or materials (Specifications) as part of our continuous improvement program. Images are indicative only. Please confirm the applicable Specifications at the time of placing your order.



The product details described in this document are current as at the version date of the document. We reserve the right to change product design, specifications or materials (Specifications) as part of our continuous improvement program. Images are indicative only. Please confirm the applicable Specifications at the time of placing your order.



CIRCULAR & BULKHEADS

CIRCULARS & BULKHEADS

Argonaut Square	122
Circlite	124
Circlite Premium	126
Bunkalite	128

ARGONAUT SQUARE



Square LED Emergency Light

The Argonaut Square is an IP65 and IK10 rated luminaire that is ideal for applications such as car parks, corridors, stairwells and walkways.

Market leading lithium battery technology provides lower maintenance costs and LED lamps combined with high/low sensors provides an opportunity to reduce energy costs significantly.

Constructed with a die cast aluminium body and polycarbonate diffuser the Argonaut Square provides a robust and decorative emergency lighting solution.

Applications



Apartments



Car Parks



Factories



Public Amenities



Schools



Sports Facilities

LP LITHIUM IRON
PHOSPHATE
PREMIUM
PREMIUM PROJECT PERFORMANCE

Features and Benefits

- AS/NZS 2293.3 compliant
- IP65
- IK10
- Die cast aluminium body
- LED lamps
- Lithium Iron Phosphate battery
- Clevertest Plus System compatible
- Microwave sensor option



ARGONAUT SQUARE

ORDERING INFORMATION		LP		240V	
TEST OPTIONS / PART #	Standard - White	ARGOSQ-LP	ARGOSQ-SEN-LP	ARGOSQ	ARGOSQ-SEN
	Clevertest Plus System Compatible	Yes	Yes	-	-
	DALI	ARGOSQ-LP-DALI	ARGOSQ-SEN-LP-DALI	-	-
	Zoneworks® XT Hive	ARGOSQ-LP-HV	ARGOSQ-SEN-LP-HV	-	-
Carton Quantity	4				
Weight - Single (Carton)	3.5kg (14.5kg)	3.5kg (14.5kg)	3.0kg (12.5kg)	3.0kg (12.5kg)	
Dimensions (L x W x H)	321mm x 321mm x 97mm				

POWER, LAMPS AND BATTERY		LP		240V	
Power Consumption (Standby / Max) - Default	0.4W / 26.6W	0.4W / 24.3W	21.2W	3.1W / 21.6W	
Lamp(s)	LED Module, 4000K (L70/B50 Ta 40°C; Reported >60,000hr, Projected 205,000hr)				
Total Lumen Output	3242lm	3242lm	3242lm	3242lm	
Voltage (V) / Capacity (mAh)	3.3V / 5000mAh		-		
Battery	Lithium Iron Phosphate		-		
Voltage / mAh	6.4V / 3200mAh		-		
Charging Method	Intelligent Current Limited Constant Voltage		-		

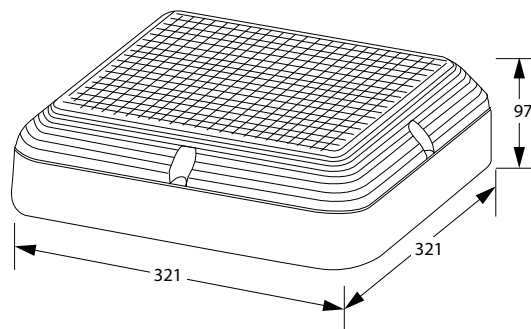
TECHNICAL SPECIFICATIONS	LP		240V		CLASSIFICATION	LP	
	Operating Mode	Sustained	Non-Emergency				C0
Voltage (V) (Frequency (Hz))	220-240V (50Hz)				C90	D63	
Operating Temperature	0°C to 40°C						
Ingress Protection Rating (IP)	IP65						
Impact Rating (IK)	IK10						

SPACING TABLE AND MOUNTING HEIGHTS – AS/NZS 2293.1:2018														
Classification	2.1m	2.4m	2.7m	3.0m	3.3m	3.6m	4.0m	4.5m	5.0m	6.0m	7.0m	8.0m	9.0m	10.0m
D63	11.5	13.2	14.8	16.5	18.1	19.8	22	24.5	25.2	26.4	27.3	28	28.5	28.8

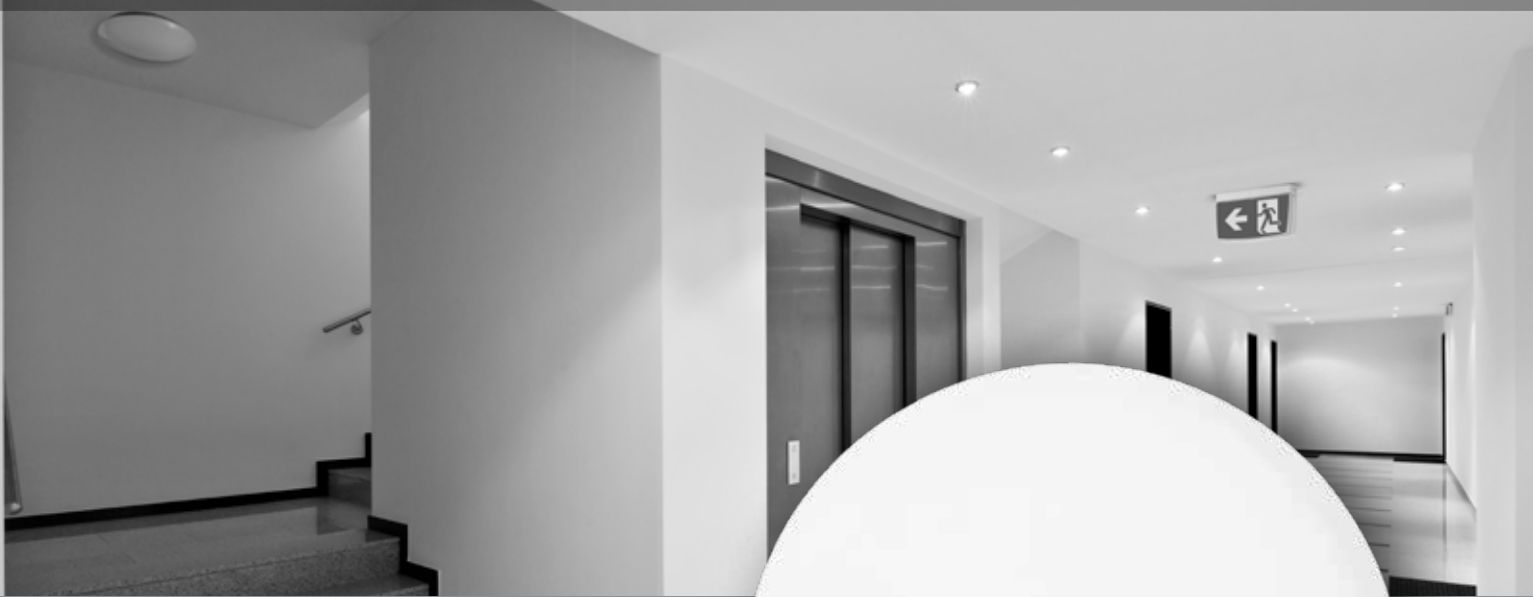
■ Care should be taken when spacing luminaires at the distances indicated by the shaded regions to ensure conformance to AS/NZS2293.1, Clause 4.3 is maintained. A single emergency luminaire shall not serve an area of greater than 500 m².

For 1 lux and AS/NZS 2293.1:2005 spacing tables please visit:
<https://clevertronics.com.au/spacing-tables/>

*Warranty information located at:
<https://clevertronics.com.au/warranty-statement/>



Dimensions (mm)



LED Circular Emergency light

The Circlite is an IP44 rated luminaire that is ideal for applications such as corridors, stairwells and walkways.

Constructed with a polycarbonate body and opal acrylic diffuser and with a large terminal block the Circlite is also easy to install.

With an emergency classification of D32, LED technology and available with microwave sensor technology the Circlite is a leader in this space.

Applications



Office Buildings



Car Parks



Public Amenities



Railway Stations



Schools



Sports Facilities

Features and Benefits

- AS/NZS 2293.3 compliant
- D32 emergency classification
- IP44
- LED lamps
- Lithium Iron Phosphate
- Microwave sensor options
- Large terminal block



TRADE
SERIES

THE TRADES CHOICE

ORDERING INFORMATION	TS	TS	240V	240V
Standard	ECLLED-LI	ECLLED-LI-MS	FCLLED	FCLLED-MS
Carton Quantity	5			
Weight - Single (Carton)	2.2kg (13kg)			
Dimensions (Diameter x Height)	340mm x 100mm			

POWER, LAMPS AND BATTERY	TS	TS	240V	240V
Power Consumption (Standby / Max)	0.6W / 16W	1.1W / 16W	14W	1.6W / 15W
Lamp(s) (CCT / Life)	LED Module 4000K / 30,000hrs (L70 / B50)			
Nominal Lumen Output	1340lm	1340lm	1340lm	1340lm
Battery	Lithium Iron Phosphate		-	-
Voltage / Capacity (mAh)	3.2V / 3000mAh		-	-
Charging Method	Intelligent current limited constant voltage		-	-

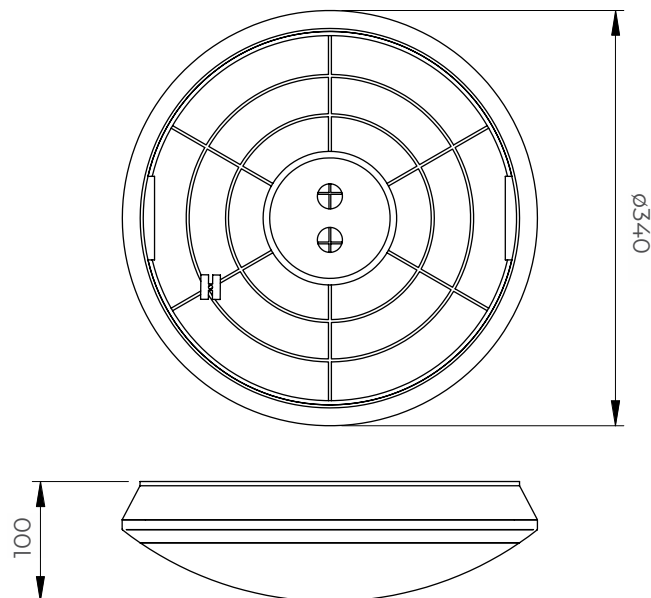
TECHNICAL SPECIFICATIONS	TS	240V
Operating Mode	Maintained	Non-Emergency
Voltage (V) (Frequency (Hz))	220-240V (50Hz)	
Operating Temperature	1°C to 40°C	
Ingress Protection Rating (IP)	IP44	

CLASSIFICATION	TS
C0	D32
C90	D32

SPACING TABLE AND MOUNTING HEIGHTS – AS/NZS 2293.1:2018 (MINIMUM LIGHT LEVEL OF 0.2 LUX)														
Classification	2.1m	2.4m	2.7m	3.0m	3.3m	3.6m	4.0m	4.5m	5.0m	6.0m	7.0m	8.0m	9.0m	10.0m
D32	11.5	13.2	14.8	16.5	17.6	18.0	18.5	19.0	19.5	20.1	20.5	20.7	20.6	20.3

For 1 lux and AS/NZS 2293.1:2005 spacing tables please visit:
<https://clevertronics.com.au/spacing-tables/>

*Warranty information located at:
<https://clevertronics.com.au/warranty-statement/>



Dimensions (mm)

CIRCLITE PREMIUM




Premium LED Circular Emergency light

The Premium Circlite is an IP54 rated luminaire that is ideal for applications such as corridors, stairwells and walkways.

Constructed with a polycarbonate body and opal diffuser and with a large terminal block the Premium Circlite is also easy to install.

With an emergency classification of D25, LED technology and available with microwave sensor technology the Premium Circlite is a leader in this space.

Applications

- | | |
|---|---|
|  Office Buildings |  Car Parks |
|  Public Amenities |  Railway Stations |
|  Schools |  Sports Facilities |



Features and Benefits

- AS/NZS 2293.3 compliant
- D25 emergency classification
- IP54
- LED lamps
- Lithium Iron Phosphate
- Microwave sensor options
- Large terminal block



CIRCLITE PREMIUM

ORDERING INFORMATION		LP		240V	
TEST OPTIONS / PART #	Standard	CCIRC	CCIRC-MS-HL	FCIRC	FCIRC-MS-HL
	DALI Driver	CCIRC-DD	-	FCIRC-DD	-
	Clevertest Plus System Compatible	Yes		-	
	DALI	CCIRC-DALI	CCIRC-MS-HL-DALI	-	
	Zoneworks® XT Hive	CCIRC-HV	CCIRC-MS-HL-HV	-	
Carton Quantity					5
Weight - Single (Carton)					1.8kg
Dimensions (Diameter x H)					327mm x 100mm

POWER, LAMPS AND BATTERY	LP		240V	
Power Consumption (Standby / Max)	1W / 16W	7W / 18W	12W	14W
Lamp(s) (CCT / Life)	LED 4,000K Natural White, 50,000hrs, Ra>80 (L70 / B50)			
Nominal Lumen Output	1300lm		1300lm	
Battery	Lithium Iron Phosphate		-	
Voltage / Capacity (mAh)	3.2V / 3000mAh		-	
Charging Method	Intelligent Current Limited Constant Voltage		-	

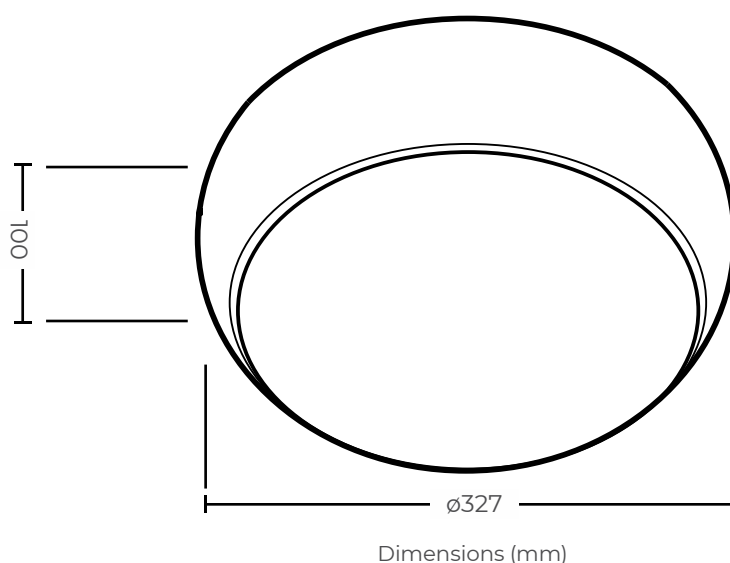
TECHNICAL SPECIFICATIONS	LP		240V	
	Operating Mode	Sustained	Non-Emergency	
Construction - Body / Diffuser	Polycarbonate / Polycarbonate			
Voltage (V) (Frequency (Hz))	220-240V (50Hz)			
Operating Temperature	1°C to 40°C			
Ingress Protection Rating (IP)	IP54			

CLASSIFICATION	LP
C0	D25
C90	D25

SPACING TABLE AND MOUNTING HEIGHTS – AS/NZS 2293.1:2018 (MINIMUM LIGHT LEVEL OF 0.2 LUX)														
Classification	2.1m	2.4m	2.7m	3.0m	3.3m	3.6m	4.0m	4.5m	5.0m	6.0m	7.0m	8.0m	9.0m	10.0m
D25	11.5	13.2	14.8	15.7	16.1	16.4	16.8	17.3	17.6	18.1	18.3	18.2	17.8	17.2

For 1 lux and AS/NZS 2293.1:2005 spacing tables please visit: <https://clevertronics.com.au/spacing-tables/>

*Warranty information located at: <https://clevertronics.com.au/warranty-statement/>



The product details described in this document are current as at the version date of the document. We reserve the right to change product design, specifications or materials (Specifications) as part of our continuous improvement program. Images are indicative only. Please confirm the applicable Specifications at the time of placing your order.

BUNKALITE









Robust & Weatherproof LED Circular

The Bunkalite is an IP65 rated emergency luminaire that is ideal for outdoor covered applications such as corridors, stairwells and walkways in schools and apartment blocks.

Market leading lithium battery technology provides lower maintenance costs and LED lamps provide a low standby power rating that will reduce energy costs significantly.

Constructed with a powder coated steel body and white opal polycarbonate diffuser the Bunkalite provides a decorative solution for both industrial and commercial use.

Applications

- | | |
|---|---|
|  Apartments |  Car Parks |
|  Factories |  Public Amenities |
|  Schools |  Sports Facilities |



Features and Benefits

- AS/NZS 2293.3 compliant
- IP65
- IK10
- LED lamps
- Powder coated steel body
- Available in black, white, grey and silver
- Lithium Iron Phosphate battery
- Clevertest Plus System compatible
- Microwave sensor option



BUNKALITE

ORDERING INFORMATION		LP	240V
TEST OPTIONS / PART #	Standard - White	CBKLEDS-WHT	FBKLED-WHT
	Standard - Black	CBKLEDS-BLK	FBKLED-BLK
	Clevertest Plus System Compatible	Yes	-
	DALI	CBKLEDS-DALI-WHT	-
	Zoneworks® XT Hive	CBKLEDS-HV-WHT	-
	Motion Sensor	Yes	Yes
Carton Quantity	1		
Weight - Single (Carton)	4.5kg		
Dimensions (D x H)	360mm x 145mm		

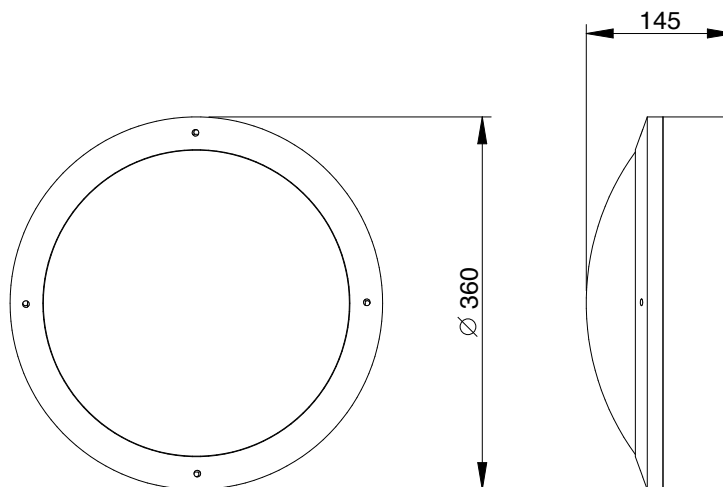
POWER, LAMPS AND BATTERY		LP	240V
Power Consumption (Standby / Max)	1.0W / 20.3W		16W
Lamp(s)	LED Module 4000K / 50,000hrs (L70 / E50 Ta40)		
Total Lumen Output	1945lm		1945lm
Battery	Lithium Iron Phosphate		-
Voltage / Capacity (mAh)	3.2V / 3200mAh		-
Charging Method	Intelligent Current Limited Constant Voltage		-

TECHNICAL SPECIFICATIONS	LP		240V	CLASSIFICATION	LP
	LP	240V	LP		
Operating Mode	Sustained	Non-Emergency		C0	D32
Voltage (V) (Frequency (Hz))	220-240V (50Hz)			C90	D32
Operating Temperature	0°C to 40°C				
Ingress Protection Rating (IP)	IP65				
Impact Rating (IK)	IK10				

SPACING TABLE AND MOUNTING HEIGHTS – AS/NZS 2293.1:2018 (MINIMUM LIGHT LEVEL OF 0.2 LUX)														
Classification	2.1m	2.4m	2.7m	3.0m	3.3m	3.6m	4.0m	4.5m	5.0m	6.0m	7.0m	8.0m	9.0m	10.0m
D32	11.5	13.2	14.8	16.5	17.6	18.0	18.5	19.0	19.5	20.1	20.5	20.7	20.6	20.3

For 1 lux and AS/NZS 2293.1:2005 spacing tables please visit:
<https://clevertronics.com.au/spacing-tables/>

*Warranty information located at:
<https://clevertronics.com.au/warranty-statement/>



Dimensions (mm)





LED BATTENS

LED BATTENS

Weatherproof (IP65, IP66)

ARGO	131
Argonaut Plus	141
Argonaut PRO	149
Argonaut Vandal Resistant	157

Indoor, Diffused & Wireguard (IP20)

EPIC Indoor	160
Odyssey Diffused	166
Odyssey Wireguard	170
Bare Emergency	174
Bare Emergency Twin	178

ARGO WEATHERPROOF



Switchable Colour and Dual Output Weatherproof Batten Range

The ARGO Weatherproof is the perfect all-rounder when it comes to projects requiring a reliable, weatherproof batten. With IP65 and IK08 impact ratings combined with switchable colour and output, the ARGO provides greater flexibility on each project.

The emergency version contains market-leading Lithium Iron Phosphate battery technology and testing options are available with the LP range. Packed with features at the right price and backed by Clevertronics reliability. You won't be let down by the ARGO.

Applications

-  Car Parks
-  Stairwells
-  Fire Stairs
-  Corridors
-  Back of House

TRADE
SERIES
THE TRADES CHOICE

LP LITHIUM IRON
PHOSPHATE
PREMIUM
PREMIUM PROJECT PERFORMANCE



Features and Benefits

- AS/NZS 2293.3 compliant
- IP65
- Long life, energy efficient LED strip module
- Switchable colour (3000K / 4000K / 5700K)
- Switchable output (varies by model)
- Lithium (LiFePO₄) battery technology
- Quick connect surface mount brackets and on-carton mounting template
- Large terminal block for easy installation
- IPART/VEU approval



ARGO WEATHERPROOF 600MM

SWITCHABLE COLOUR

ORDERING INFORMATION	EMERGENCY (TS)	EMERGENCY (LP)	STANDARD
Nominal Size	600mm	600mm	600mm
Standard	ARGO-600-EM	ARGO-600-LP	ARGO-600
TEST OPTIONS / PART#			
DALI Driver		No	
Motion Sensors	ARGO-600-SEN-EM	ARGO-600-SEN-LP	ARGO-600-SEN
CTP System Compatible	No	Yes	-
DALI*	-	ARGO-600-LP-DALI	-
Zoneworks XT HIVE*	-	ARGO-600-LP-HV	-
Carton Quantity		1	
Weight - Single (Carton)	1.5kg	1.5kg	1.25kg
Dimensions (L X W X H)	655mm x 121mm x 88mm		

* For motion sensor version add -SEN to the product code as per following example: ARGO-600-SEN-LP-DALI

TECHNICAL SPECIFICATIONS	EMERGENCY (TS)	EMERGENCY (LP)	STANDARD
Construction - Base		UV Stabilised Polycarbonate	
Construction - Diffuser		UV Stabilised Polycarbonate	
Voltage (V) (Frequency (Hz))		220-240V(50Hz)	
Power Consumption (Standby / Max) ♦		(See Table on Next Page)	
Lamp ♦		Dual LED Strip Module	
Lamp(s) (CCT / Life)		3000K, 4000K, 5700K / 50,000hrs (L70 / B50, Ra>80 Ta40c)	
Nominal Total Light Output ♦		(See Table on Next Page)	
Ingress Protection Rating (IP)		IP65	
Impact Rating (IK)		IK08	

♦ Please refer to the specific product data sheet for actual power, light output, lamp lifetime and driver values.

EMERGENCY SPECIFICATIONS	EMERGENCY (TS)	EMERGENCY (LP)
Operating Mode	Sustained	
Battery Configuration	Integral	
Battery Type	Lithium Iron Phosphate	
Voltage / mAh	3.2V / 3000mAh	
Charging Method	Intelligent Current Limited Constant Voltage	

CLASSIFICATIONS	EMERGENCY (TS)	EMERGENCY (LP)
C0	D40	D40
C90	D25	D25

SPACING TABLE & MOUNTING HEIGHTS - AS / NZS 2293.1:2018 (MINIMUM LIGHT LEVEL OF 0.2 LUX)												
Classification	2.1m	2.4m	2.7m	3.0m	3.3m	3.6m	4.0m	4.5m	5.0m	6.0m	7.0m	8.0m
D25	11.5	13.2	14.8	15.7	16.1	16.4	16.8	17.3	17.6	18.1	18.3	18.2
D40	11.5	13.2	14.8	16.5	18.1	19.5	20.1	20.7	21.2	22.1	22.6	23.0

For 1 lux and AS/NZS 2293.1:2005 spacing tables please visit: <https://clevertronics.com.au/spacing-tables/>

*Warranty information located at: <https://clevertronics.com.au/warranty-statement/>

ARGO WEATHERPROOF 600MM

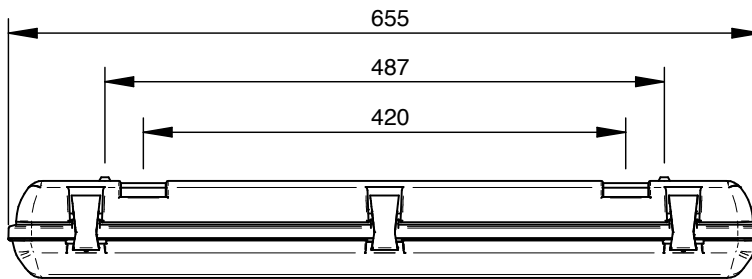
SWITCHABLE COLOUR

NO SENSOR

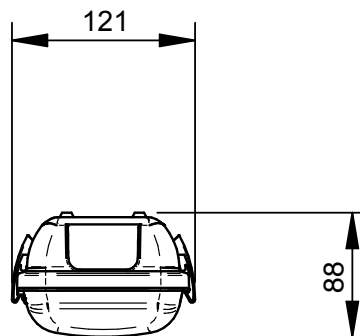
POWER CONSUMPTION	Standby Charge/ Main Lamp On		Standby Charge/ Main Lamp Off		Main Lamp On	LUMEN OUTPUT		
	TS	LP	TS	LP	STANDARD	TS	LP	STANDARD
3000K	19W	19W	0.4W	0.4W	19W	1950lm	1950lm	1998lm
4000K DEFAULT	18W	18W	0.4W	0.4W	18W	2150lm	2150lm	2189lm
5700K	19W	19W	0.4W	0.4W	19W	2040lm	2040lm	2084lm

SENSOR

POWER CONSUMPTION	Standby Charge/ Main Lamp On		Standby Charge/Main Lamp On @ Min. 10%		Standby Charge/ Main Lamp Off		Main Lamp On	Main Lamp On @ Min. 10%	LUMEN OUTPUT		
	TS	LP	TS	LP	TS	LP	STANDARD	STANDARD	TS	LP	STANDARD
3000K	20W	20W	2W	2W	0.4W	0.4W	19W	2W	1950lm	1950lm	1998lm
4000K DEFAULT	19W	19W	2W	2W	0.4W	0.4W	19W	2W	2150lm	2150lm	2189lm
5700K	20W	20W	2W	2W	0.4W	0.4W	19W	2W	2040lm	2040lm	2084lm



Dimensions (mm)



The product details described in this document are current as at the version date of the document. We reserve the right to change product design, specifications or materials (Specifications) as part of our continuous improvement program. Images are indicative only. Please confirm the applicable Specifications at the time of placing your order.

ARGO WEATHERPROOF 1200MM

SWITCHABLE COLOUR & DUAL OUTPUT

ORDERING INFORMATION	EMERGENCY (TS)	EMERGENCY (LP)	STANDARD
Nominal Size	1200mm	1200mm	1200mm
Standard	ARGO-1200-EM	ARGO-1200-LP	ARGO-1200
TEST OPTIONS / PART #			
DALI Driver		No	
Motion Sensors	ARGO-1200-SEN-EM	ARGO-1200-SEN-LP	ARGO-1200-SEN
CTP System Compatible	No	Yes	-
DALI*	-	ARGO-1200-LP-DALI	-
Zoneworks XT HIVE*	-	ARGO-1200-LP-HV	-
Carton Quantity		1	
Weight - Single (Carton)	2.6kg	2.6kg	2.3kg
Dimensions (L X W X H)	1265mm x 121mm x 88mm		

* For motion sensor version add -SEN to the product code as per following example: ARGO-1200-SEN-LP-DALI

TECHNICAL SPECIFICATIONS	EMERGENCY (TS)	EMERGENCY (LP)	STANDARD
Construction - Base		UV Stabilised Polycarbonate	
Construction - Diffuser		UV Stabilised Polycarbonate	
Voltage (V) (Frequency (Hz))		220-240V(50Hz)	
Power Consumption (Standby / Max) ♦		(See Table on Next Page)	
Lamp ♦		Dual LED Strip Module	
Lamp(s) (CCT / Life)		3000K, 4000K, 5700K / 50,000hrs (L70 / B50, Ra>80 Ta40c)	
Nominal Total Light Output ♦		(See Table on Next Page)	
Ingress Protection Rating (IP)		IP65	
Impact Rating (IK)		IK08	
Energy Approvals		IPART/VEU	

♦ Please refer to the specific product data sheet for actual power, light output, lamp lifetime and driver values.

EMERGENCY SPECIFICATIONS	EMERGENCY (TS)	EMERGENCY (LP)
Operating Mode	Sustained	
Battery Configuration	Integral	
Battery Type	Lithium Iron Phosphate	
Voltage / mAh	3.2V / 3000mAh	
Charging Method	Intelligent Current Limited Constant Voltage	

CLASSIFICATIONS	EMERGENCY (TS)	EMERGENCY (LP)
C0	D50	D63
C90	D32	D40

SPACING TABLE & MOUNTING HEIGHTS - AS / NZS 2293.1:2018 (MINIMUM LIGHT LEVEL OF 0.2 LUX)													
Classification	2.1m	2.4m	2.7m	3.0m	3.3m	3.6m	4.0m	4.5m	5.0m	6.0m	7.0m	8.0m	
D25	11.5	13.2	14.8	15.7	16.1	16.4	16.8	17.3	17.6	18.1	18.3	18.2	
D40	11.5	13.2	14.8	16.5	18.1	19.5	20.1	20.7	21.2	22.1	22.6	23.0	
D63	11.5	13.2	14.8	16.5	18.1	19.8	22.0	24.5	25.2	26.4	27.3	28.0	

■ Care should be taken when spacing luminaires at the distances indicated by the shaded regions to ensure conformance to AS/NZS2293.1, Clause 4.3 is maintained. A single emergency luminaire shall not serve an area of greater than 500 m².

For 1 lux and AS/NZS 2293.1:2005 spacing tables please visit: <https://clevertronics.com.au/spacing-tables/>

*Warranty information located at: <https://clevertronics.com.au/warranty-statement/>

ARGO WEATHERPROOF 1200MM

SWITCHABLE COLOUR & DUAL OUTPUT

NO SENSOR

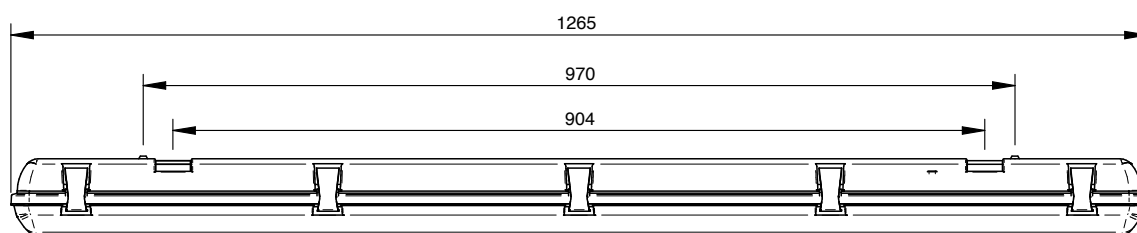
POWER CONSUMPTION	Standby Charge/ Main Lamp On		Standby Charge/ Main Lamp Off		Main Lamp On
	TS	LP	TS	LP	
OUTPUT 2 (700mA)					STANDARD
3000K	38W	38W	0.4W	0.4W	37.7W
4000K DEFAULT	36W	36W	0.4W	0.4W	35.3W
5700K	38W	38W	0.4W	0.4W	37.7W
OUTPUT 1 (350mA)					
3000K	20W	20W	0.4W	0.4W	19.6W
4000K	19W	19W	0.4W	0.4W	18.9W
5700K	20W	20W	0.4W	0.4W	19.6W

LUMEN OUTPUT		
TS	LP	STANDARD
3820lm	3820lm	3819lm
4320lm	4320lm	4318lm
4100lm	4100lm	4100lm
2260lm	2260lm	2260lm
2430lm	2430lm	2431lm
2400lm	2400lm	2400lm

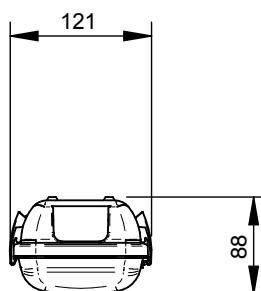
SENSOR

POWER CONSUMPTION	Standby Charge/ Main Lamp On		Standby Charge/Main Lamp On @ Min. 10%		Standby Charge/ Main Lamp Off		Main Lamp On	Main Lamp On @ Min. 10%
	TS	LP	TS	LP	TS	LP	STANDARD	STANDARD
OUTPUT (700mA)								
3000K	37W	39W	6W	3W	0.4W	0.4W	37W	6W
4000K DEFAULT	36W	37W	6W	3W	0.4W	0.4W	35W	6W
5700K	37W	39W	6W	3W	0.4W	0.4W	37W	6W

LUMEN OUTPUT		
TS	LP	STANDARD
3670lm	3820lm	3670lm
4200lm	4320lm	4200lm
3970lm	4100lm	3970lm



Dimensions (mm)



The product details described in this document are current as at the version date of the document. We reserve the right to change product design, specifications or materials (Specifications) as part of our continuous improvement program. Images are indicative only. Please confirm the applicable Specifications at the time of placing your order.

ARGO WEATHERPROOF 1500MM

SWITCHABLE COLOUR & DUAL OUTPUT

ORDERING INFORMATION	EMERGENCY (TS)	EMERGENCY (LP)	STANDARD
Nominal Size	1500mm	1500mm	1500mm
Standard	ARGO-1500-EM	ARGO-1500-LP	ARGO-1500
TEST OPTIONS / PART#			
DALI Driver		No	
Motion Sensors	ARGO-1500-SEN-EM	ARGO-1500-SEN-LP	ARGO-1500-SEN
CTP System Compatible	No	Yes	-
DALI*	-	ARGO-1500-LP-DALI	-
Zoneworks XT HIVE*	-	ARGO-1500-LP-HV	-
Carton Quantity		1	
Weight - Single (Carton)	3.1kg	3.1kg	2.8kg
Dimensions (L X W X H)	1565mm x 121mm x 88mm		

* For motion sensor version add -SEN to the product code as per following example: ARGO-1500-SEN-LP-DALI

TECHNICAL SPECIFICATIONS	EMERGENCY (TS)	EMERGENCY (LP)	STANDARD
Construction - Base		UV Stabilised Polycarbonate	
Construction - Diffuser		UV Stabilised Polycarbonate	
Voltage (V) (Frequency (Hz))		220-240V(50Hz)	
Power Consumption (Standby / Max) ♦		(See Table on Next Page)	
Lamp ♦		Dual LED Strip Module	
Lamp(s) (CCT / Life)		3000K, 4000K, 5700K / 50,000hrs (L70 / B50, Ra>80 Ta40c)	
Nominal Total Light Output ♦		(See Table on Next Page)	
Ingress Protection Rating (IP)		IP65	
Impact Rating (IK)		IK08	
Energy Approvals		-	

♦ Please refer to the specific product data sheet for actual power, light output, lamp lifetime and driver values.

EMERGENCY SPECIFICATIONS	EMERGENCY (TS)	EMERGENCY (LP)
Operating Mode	Sustained	
Battery Configuration	Integral	
Battery Type	Lithium Iron Phosphate	
Voltage / mAh	3.2V / 3000mAh	3.2V / 6400mAh
Charging Method	Intelligent Current Limited Constant Voltage	

CLASSIFICATIONS	EMERGENCY (TS)	EMERGENCY (LP)
C0	D50	D63
C90	D32	D40

SPACING TABLE & MOUNTING HEIGHTS - AS / NZS 2293.1:2018 (MINIMUM LIGHT LEVEL OF 0.2 LUX)												
Classification	2.1m	2.4m	2.7m	3.0m	3.3m	3.6m	4.0m	4.5m	5.0m	6.0m	7.0m	8.0m
D32	11.5	13.2	14.8	16.5	17.6	18.0	18.5	19.0	19.5	20.1	20.5	20.7
D40	11.5	13.2	14.8	16.5	18.1	19.5	20.1	20.7	21.2	22.1	22.6	23.0
D50	11.5	13.2	14.8	16.5	18.1	19.8	21.8	22.5	23.1	24.9	24.9	25.4
D63	11.5	13.2	14.8	16.5	18.1	19.8	22.0	24.5	25.2	26.4	27.3	28.0

■ Care should be taken when spacing luminaires at the distances indicated by the shaded regions to ensure conformance to AS/NZS2293.1, Clause 4.3 is maintained. A single emergency luminaire shall not serve an area of greater than 500 m².

For 1 lux and AS/NZS 2293.1:2005 spacing tables please visit: <https://clevertronics.com.au/spacing-tables/>

*Warranty information located at: <https://clevertronics.com.au/warranty-statement/>

ARGO WEATHERPROOF 1500MM

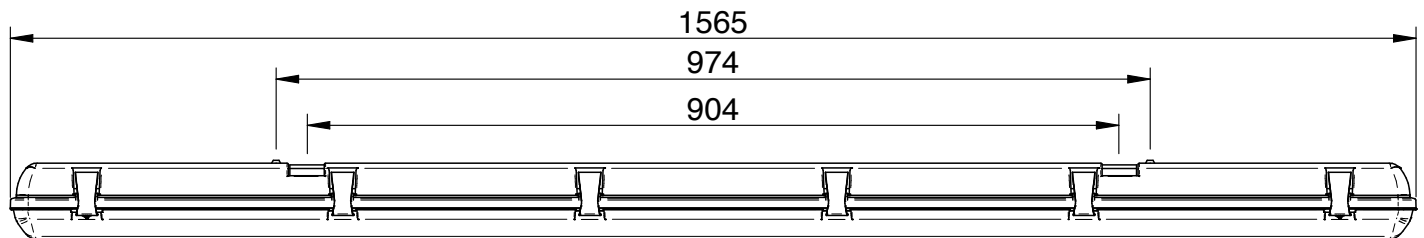
SWITCHABLE COLOUR & DUAL OUTPUT

NO SENSOR

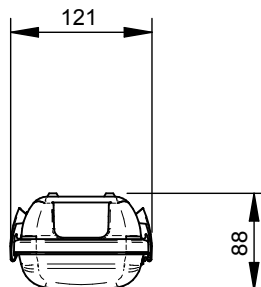
POWER CONSUMPTION	Standby Charge/ Main Lamp On		Standby Charge/ Main Lamp Off		Main Lamp On	LUMEN OUTPUT		
	TS	LP	TS	LP	STANDARD	TS	LP	STANDARD
3000K	56.5W	56.5W	0.4W	0.4W	56.1W	5904lm	5904lm	5904
4000K	53.6W	53.6W	0.4W	0.4W	52.7W	6244lm	6244lm	6244
5700K	56.5W	56.5W	0.4W	0.4W	56.5W	5631lm	5631lm	5631

SENSOR

POWER CONSUMPTION	Standby Charge/ Main Lamp On		Standby Charge/Main Lamp On @ Min. 10%		Standby Charge/ Main Lamp Off		Main Lamp On	Main Lamp On @ Min. 10%	LUMEN OUTPUT		
	TS	LP	TS	LP	TS	LP	STANDARD	STANDARD	TS	LP	STANDARD
3000K	58.2W	58.2W	6W	3W	0.4W	0.4W	56.1W	6W	5904lm	5904lm	5904
4000K	54.6W	54.6W	6W	3W	0.4W	0.4W	52.7W	6W	6244lm	6244lm	6244
5700K	57.8W	57.8W	6W	3W	0.4W	0.4W	56.5W	6W	5631lm	5631lm	5631



Dimensions (mm)



The product details described in this document are current as at the version date of the document. We reserve the right to change product design, specifications or materials (Specifications) as part of our continuous improvement program. Images are indicative only. Please confirm the applicable Specifications at the time of placing your order.

ARGONAUT PLUS WEATHERPROOF



ARGONAUT
PLUS 

High Spec & Efficiency, Switchable Colour & Dual Output



The Argonaut Plus Weatherproof range is designed for high spec applications requiring ultimate efficiency and longer LED lifetime. Featuring switchable colour and dual output, they adapt to your application requirements with the flick of a switch.

Backed by Clevertronics support, service and warranty, the batten is available as a Standard or Emergency LP or L10 Nanophosphate with monitoring capabilities including Zoneworks XT HIVE, DALI and CTP.

Applications

-  Car Parks
-  Stairwells
-  Fire Stairs
-  Corridors
-  Back of House

Emergency Range



*1200mm Standard Batten, varies by model.



Features and Benefits

- High efficiency @ 137 lm/W*
- Switchable colour (3000K / 4000K / 5700K)
- Switchable output (varies by model)
- IP65
- Long life, energy efficient LED strip module
- Large terminal block for easy installation
- Lithium Iron Phosphate or Nanophosphate® battery
- Emergency pod for maximum in-service life and lowest maintenance cost
- Emergency integral battery option also available
- Up to D80 emergency classification
- AS/NZS 2293.3 compliant



ARGONAUT PLUS WEATHERPROOF 600MM

HIGH SPEC & EFFICIENCY, SWITCHABLE COLOUR

ORDERING INFORMATION		EMERGENCY (LP)		EMERGENCY (L10)	STANDARD
Nominal Size	600mm ①	600mm ②	600mm ②	600mm ②	600mm ①
Standard	ARGOPLUS-600-LP	ARGOPLUS-600-LPPOD	ARGOPLUS-600-L10POD	ARGOPLUS-600	ARGOPLUS-600
TEST OPTIONS / PART #	DALI Driver	ARGOPLUS-600-DD-LP	ARGOPLUS-600-DD-LPPOD	ARGOPLUS-600-DD-L10POD	ARGOPLUS-600-DD
Motion Sensors	ARGOPLUS-600-SEN-LP	ARGOPLUS-600-SEN-LPPOD	ARGOPLUS-600-SEN-L10POD	ARGOPLUS-600-SEN	ARGOPLUS-600-SEN
CTP System Compatible	Yes				-
DALI*	ARGOPLUS-600-LP-DALI	ARGOPLUS-600-LPPOD-DALI	ARGOPLUS-600-L10POD-DALI		-
Zoneworks XT Hive*	ARGOPLUS-600-LP-HV	ARGOPLUS-600-LPPOD-HV	ARGOPLUS-600-L10POD-HV		-
Carton Quantity	1				
Weight	1.7kg	2.0kg	2.0kg	2.0kg	1.4kg
Dimensions (L X W X H)	655mm x 160mm x 105mm	720mm x 160mm x 105mm	720mm x 160mm x 105mm	720mm x 160mm x 105mm	655mm x 160mm x 105mm

* For motion sensors add -SEN to the product code as per following example: ARGOPLUS-600-SEN-LP-DALI

TECHNICAL SPECIFICATIONS	EMERGENCY (LP)	EMERGENCY (L10)	STANDARD
Construction - Base	UV Stabilised Polycarbonate		
Construction - Diffuser	UV Stabilised Polycarbonate		
Voltage (V) (Frequency (Hz))	220-240V (50Hz)		
Lamp ♦	LED Strip Module		
Luminaire CCT	3000K, 4000K, 5700K Switchable		
Lamp Projected Life	Ra>80 Ta40°C; 157,000hrs (L70/B50), 95,000hrs (L80/B20), 43,000hrs (L90/B10)		
Power Consumption & Light Output	(See Table on Next Page)		
Ingress Protection Rating (IP)	IP65		
Impact Rating (IK)	IK08		

♦ Please refer to the specific product data sheet for actual power, light output, lamp lifetime and driver values.

EMERGENCY SPECIFICATIONS	EMERGENCY (LP)		EMERGENCY (L10)
Operating Mode	Sustained		
Battery Configuration	Integral	POD	POD
Battery Type	Lithium Iron Phosphate		Lithium Nanophosphate
Voltage (V) / Capacity (mAh)	3.2V / 6400mAh	3.2V / 6400mAh	3.3V / 5000mAh
Charging Method	Intelligent Current Limited Constant Voltage		

CLASSIFICATIONS	EMERGENCY (LP)		EMERGENCY (L10)
C0	D40	D80	D80
C90	D25	D80	D80

SPACING TABLE & MOUNTING HEIGHTS - AS / NZS 2293.1:2018 (MINIMUM LIGHT LEVEL OF 0.2 LUX)												
Classification	2.1m	2.4m	2.7m	3.0m	3.3m	3.6m	4.0m	4.5m	5.0m	6.0m	7.0m	8.0m
D25	11.5	13.2	14.8	15.7	16.1	16.4	16.8	17.3	17.6	18.1	18.3	18.2
D40	11.5	13.2	14.8	16.5	18.1	19.5	20.1	20.7	21.2	22.1	22.6	23.0
D80	11.5	13.2	14.8	16.5	18.1	19.8	22.0	24.7	27.5	28.9	30.0	30.9

Care should be taken when spacing luminaires at the distances indicated by the shaded regions to ensure conformance to AS/NZS2293.1, Clause 4.3 is maintained. A single emergency luminaire shall not serve an area of greater than 500 m².

For 1 lux and AS/NZS 2293.1:2005 spacing tables please visit: <https://clevertronics.com.au/spacing-tables/>

*Warranty information located at: <https://clevertronics.com.au/warranty-statement/>

ARGONAUT PLUS WEATHERPROOF 600MM

HIGH SPEC & EFFICIENCY, SWITCHABLE COLOUR

NO SENSOR

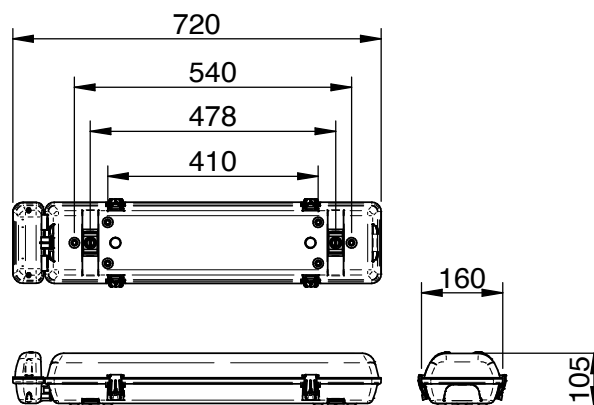
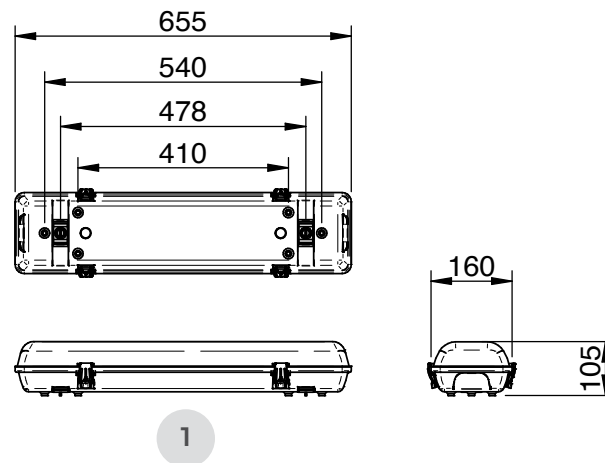
POWER CONSUMPTION	Standby Charge/ Main Lamp On		Main Lamp On	LUMEN OUTPUT			LUMENS / WATT				
	LP	L10		STANDARD	LP	L10	STANDARD	LP	L10	STANDARD	
3000K	18.4W		18.0W		2192 lm		2192 lm		119 lm/W		122 lm/W
4000K DEFAULT	17.8W		17.4W		2351 lm		2351 lm		132 lm/W		135 lm/W
5700K	18.4W		18.0W		2304 lm		2304 lm		125 lm/W		128 lm/W

SENSOR

POWER CONSUMPTION	Standby Charge/ Main Lamp On		Main Lamp On	Standby Charge/ Main Lamp On @ Min 10%		Main Lamp On @ Min 10%	LUMEN OUTPUT			LUMENS / WATT					
	LP	L10		STANDARD	LP		L10	STANDARD	LP	L10	STANDARD	LP	L10	STANDARD	
3000K	19.0W		18.6W		2.8W		2.4W		2192 lm		2192 lm		115 lm/W		118 lm/W
4000K DEFAULT	18.3W		17.9W		2.9W		2.5W		2351 lm		2351 lm		129 lm/W		131 lm/W
5700K	19.0W		18.6W		2.8W		2.4W		2304 lm		2304 lm		121 lm/W		124 lm/W

Product Configuration:

- 1 600mm No Pod
- 2 600mm With Pod



Dimensions (mm)

2

The product details described in this document are current as at the version date of the document. We reserve the right to change product design, specifications or materials (Specifications) as part of our continuous improvement program. Images are indicative only. Please confirm the applicable Specifications at the time of placing your order.

ARGONAUT PLUS WEATHERPROOF 1200MM

HIGH SPEC & EFFICIENCY, SWITCHABLE COLOUR & DUAL OUTPUT

ORDERING INFORMATION		EMERGENCY (LP)		EMERGENCY (L10)	STANDARD
Nominal Size	1200mm ①	1200mm ②	1200mm ③	1200mm ④	
Standard	ARGOPLUS-1200-LP	ARGOPLUS-1200-LPPOD	ARGOPLUS-1200-L10POD	ARGOPLUS-1200	
DALI Driver	ARGOPLUS-1200-DD-LP	ARGOPLUS-1200-DD-LPPOD	ARGOPLUS-1200-DD-L10POD	ARGOPLUS-1200-DD	
Motion Sensors	ARGOPLUS-1200-SEN-LP	ARGOPLUS-1200-SEN-LPPOD	ARGOPLUS-1200-SEN-L10POD	ARGOPLUS-1200-SEN	
CTP System Compatible	Yes				-
DALI*	ARGOPLUS-1200-LP-DALI	ARGOPLUS-1200-LPPOD-DALI	ARGOPLUS-1200-L10POD-DALI		-
Zoneworks XT Hive*	ARGOPLUS-1200-LP-HV	ARGOPLUS-1200-LPPOD-HV	ARGOPLUS-1200-L10POD-HV		-
Carton Quantity	1				
Weight	2.9kg	3.2kg	3.2kg	2.7kg	
Dimensions (L X W X H)	1265mm x 160mm x 105mm	1330mm x 160mm x 105mm	1330mm x 160mm x 105mm	1265mm x 160mm x 105mm	

* For motion sensors add -SEN to the product code as per following example: ARGOPLUS-1200-SEN-LP-DALI

TECHNICAL SPECIFICATIONS	EMERGENCY (LP)	EMERGENCY (L10)	STANDARD
Construction - Base	UV Stabilised Polycarbonate		
Construction - Diffuser	UV Stabilised Polycarbonate		
Voltage (V) (Frequency (Hz))	220-240V (50Hz)		
Lamp ♦	LED Strip Module		
Luminaire CCT	3000K, 4000K, 5700K Switchable		
Lamp Projected Life	Ra>80 Ta40°C; 157,000hrs (L70/B50), 95,000hrs (L80/B20), 43,000hrs (L90/B10)		
Power Consumption & Light Output	(See Table on Next Page)		
Ingress Protection Rating (IP)	IP65		
Impact Rating (IK)	IK08		

♦ Please refer to the specific product data sheet for actual power, light output, lamp lifetime and driver values.

EMERGENCY SPECIFICATIONS	EMERGENCY (LP)		EMERGENCY (L10)
Operating Mode	Sustained		
Battery Configuration	Integral	POD	POD
Battery Type	Lithium Iron Phosphate		Lithium Nanophosphate
Voltage (V) / Capacity (mAh)	3.2V / 6400mAh		3.3V / 5000mAh
Charging Method	Intelligent Current Limited Constant Voltage		

CLASSIFICATIONS	EMERGENCY (LP)		EMERGENCY (L10)
C0	D63	D80	D80
C90	D40	D80	D80

SPACING TABLE & MOUNTING HEIGHTS - AS / NZS 2293.1:2018 (MINIMUM LIGHT LEVEL OF 0.2 LUX)												
Classification	2.1m	2.4m	2.7m	3.0m	3.3m	3.6m	4.0m	4.5m	5.0m	6.0m	7.0m	8.0m
D40	11.5	13.2	14.8	16.5	18.1	19.5	20.1	20.7	21.2	22.1	22.6	23.0
D63	11.5	13.2	14.8	16.5	18.1	19.8	22.0	24.5	25.2	26.4	27.3	28.0
D80	11.5	13.2	14.8	16.5	18.1	19.8	22.0	24.7	27.5	28.9	30.0	30.9

■ Care should be taken when spacing luminaires at the distances indicated by the shaded regions to ensure conformance to AS/NZS2293.1, Clause 4.3 is maintained. A single emergency luminaire shall not serve an area of greater than 500 m².

For 1 lux and AS/NZS 2293.1:2005 spacing tables please visit: <https://clevertronics.com.au/spacing-tables/>

*Warranty information located at: <https://clevertronics.com.au/warranty-statement/>

ARGONAUT PLUS WEATHERPROOF 1200MM

HIGH SPEC & EFFICIENCY, SWITCHABLE COLOUR & DUAL OUTPUT

NO SENSOR

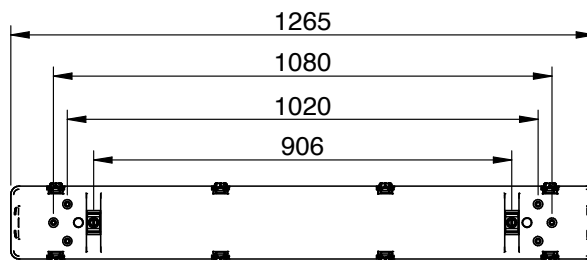
POWER CONSUMPTION	Standby Charge/ Main Lamp On		Main Lamp On	LUMEN OUTPUT			LUMENS / WATT		
	LP	L10		LP	L10	STANDARD	LP	L10	STANDARD
OUTPUT 2 (650mA)									
3000K		33.7W	33.3W	4145 lm		4145 lm	123 lm/W		125 lm/W
4000K DEFAULT		32.6W	32.2W	4420 lm		4420 lm	136 lm/W		137 lm/W
5700K		33.6W	33.2W	4322 lm		4322 lm	129 lm/W		130 lm/W
OUTPUT 1 (350mA)									
3000K		19.2W	18.8W	2432 lm		2432 lm	127 lm/W		129 lm/W
4000K		18.8W	18.4W	2549 lm		2549 lm	136 lm/W		139 lm/W
5700K		19.1W	18.7W	2533 lm		2533 lm	133 lm/W		136 lm/W

SENSOR

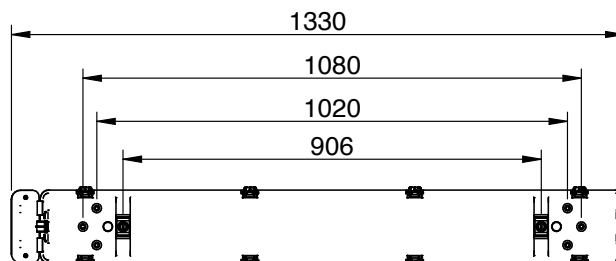
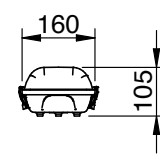
POWER CONSUMPTION	Standby Charge/ Main Lamp On		Main Lamp On	Standby Charge / Main Lamp On @ Min 10%		Main Lamp On @ Min 10%	LUMEN OUTPUT			LUMENS / WATT		
	LP	L10		LP	L10		STANDARD	LP	L10	STANDARD	LP	L10
OUTPUT (650mA)												
3000K		34.3W	33.9W	7.5W		4.8W	4145 lm		4145 lm	121 lm/W		122 lm/W
4000K DEFAULT		33.2W	32.8W	4.9W		4.5W	4420 lm		4420 lm	133 lm/W		135 lm/W
5700K		34.1W	33.7W	5.1W		4.7W	4322 lm		4322 lm	127 lm/W		128 lm/W

Product Configuration:

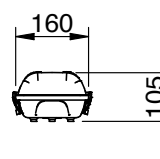
- 1 1200mm No Pod
- 2 1200mm With Pod



1



2



Dimensions (mm)

The product details described in this document are current as at the version date of the document. We reserve the right to change product design, specifications or materials (Specifications) as part of our continuous improvement program. Images are indicative only. Please confirm the applicable Specifications at the time of placing your order.

ARGONAUT PLUS WEATHERPROOF 1500MM

HIGH SPEC & EFFICIENCY, SWITCHABLE COLOUR

ORDERING INFORMATION		EMERGENCY (LP)		EMERGENCY (L10)		STANDARD	
Nominal Size	1500mm ①	1500mm ②	1500mm ②	1500mm ②	1500mm ①		
Standard	ARGOPLUS-1500-LP	ARGOPLUS-1500-LPPOD	ARGOPLUS-1500-L10POD	ARGOPLUS-1500-L10POD	ARGOPLUS-1500		
TEST OPTIONS / PART #	DALI Driver	ARGOPLUS-1500-DD-LP	ARGOPLUS-1500-DD-LPPOD	ARGOPLUS-1500-DD-L10POD	ARGOPLUS-1500-DD		
Motion Sensors	ARGOPLUS-1500-SEN-LP	ARGOPLUS-1500-SEN-LPPOD	ARGOPLUS-1500-SEN-L10POD	ARGOPLUS-1500-SEN-L10POD	ARGOPLUS-1500-SEN		
CTP System Compatible	Yes				-		
DALI*	ARGOPLUS-1500-LP-DALI	ARGOPLUS-1500-LPPOD-DALI	ARGOPLUS-1500-L10POD-DALI	ARGOPLUS-1500-L10POD-DALI	-		
Zoneworks XT Hive*	ARGOPLUS-1500-LP-HV	ARGOPLUS-1500-LPPOD-HV	ARGOPLUS-1500-L10POD-HV	ARGOPLUS-1500-L10POD-HV	-		
Carton Quantity	1						
Weight	3.6kg	3.9kg	3.9kg	3.9kg	3.3kg		
Dimensions (L X W X H)	1565mm x 160mm x 105mm	1630mm x 160mm x 105mm	1630mm x 160mm x 105mm	1630mm x 160mm x 105mm	1565mm x 160mm x 105mm		

* For motion sensors add -SEN to the product code as per following example: ARGOPLUS-1500-SEN-LP-DALI

TECHNICAL SPECIFICATIONS		EMERGENCY (LP)		EMERGENCY (L10)		STANDARD	
Construction - Base	UV Stabilised Polycarbonate						
Construction - Diffuser	UV Stabilised Polycarbonate						
Voltage (V) (Frequency (Hz))	220-240V (50Hz)						
Lamp ♦	LED Strip Module						
Luminaire CCT	3000K, 4000K, 5700K Switchable						
Lamp Projected Life	Ra>80 Ta40°C; 157,000hrs (L70/B50), 95,000hrs (L80/B20), 43,000hrs (L90/B10)						
Power Consumption & Light Output	(See Table on Next Page)						
Ingress Protection Rating (IP)	IP65						
Impact Rating (IK)	IK08						

♦ Please refer to the specific product data sheet for actual power, light output, lamp lifetime and driver values.

EMERGENCY SPECIFICATIONS		EMERGENCY (LP)		EMERGENCY (L10)	
Operating Mode	Sustained				
Battery Configuration	Integral	POD	POD		
Battery Type	Lithium Iron Phosphate			Lithium Nanophosphate	
Voltage (V) / Capacity (mAh)	3.2V / 6400mAh			3.3V / 5000mAh	
Charging Method	Intelligent Current Limited Constant Voltage				

CLASSIFICATIONS		EMERGENCY (LP)			EMERGENCY (L10)		
C0	D63	D80	D80	D80	D80	D80	
C90	D40	D80	D80	D80	D80	D80	

SPACING TABLE & MOUNTING HEIGHTS - AS / NZS 2293.1:2018 (MINIMUM LIGHT LEVEL OF 0.2 LUX)												
Classification	2.1m	2.4m	2.7m	3.0m	3.3m	3.6m	4.0m	4.5m	5.0m	6.0m	7.0m	8.0m
D40	11.5	13.2	14.8	16.5	18.1	19.5	20.1	20.7	21.2	22.1	22.6	23.0
D63	11.5	13.2	14.8	16.5	18.1	19.8	22.0	24.5	25.2	26.4	27.3	28.0
D80	11.5	13.2	14.8	16.5	18.1	19.8	22.0	24.7	27.5	28.9	30.0	30.9

■ Care should be taken when spacing luminaires at the distances indicated by the shaded regions to ensure conformance to AS/NZS2293.1, Clause 4.3 is maintained. A single emergency luminaire shall not serve an area of greater than 500 m².

For 1 lux and AS/NZS 2293.1:2005 spacing tables please visit: <https://clevertronics.com.au/spacing-tables/>

*Warranty information located at: <https://clevertronics.com.au/warranty-statement/>

ARGONAUT PLUS WEATHERPROOF 1500MM

HIGH SPEC & EFFICIENCY, SWITCHABLE COLOUR

NO SENSOR

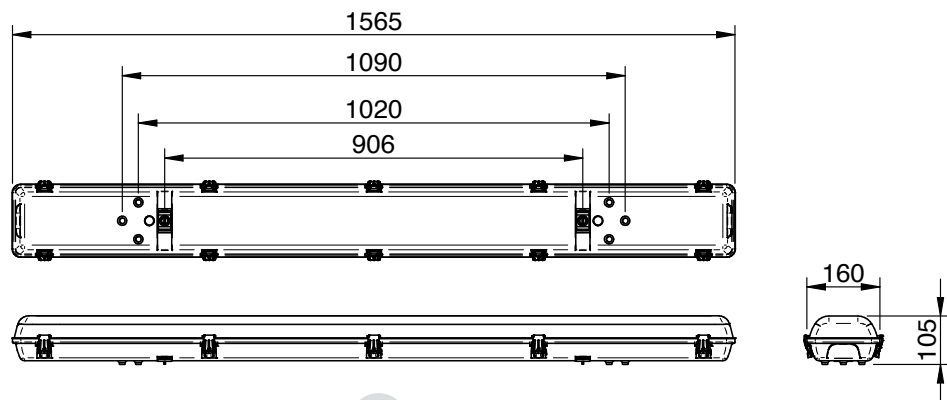
POWER CONSUMPTION	Standby Charge/ Main Lamp On		Main Lamp On	LUMEN OUTPUT			LUMENS / WATT				
	LP	L10		STANDARD	LP	L10	STANDARD	LP	L10	STANDARD	
3000K	49.3W		48.9W		5877 lm		5877 lm		119 lm/W		120 lm/W
4000K DEFAULT	47.5W		47.1W		6337 lm		6337 lm		133 lm/W		135 lm/W
5700K	49.2W		48.8W		6185 lm		6185 lm		126 lm/W		127 lm/W

SENSOR

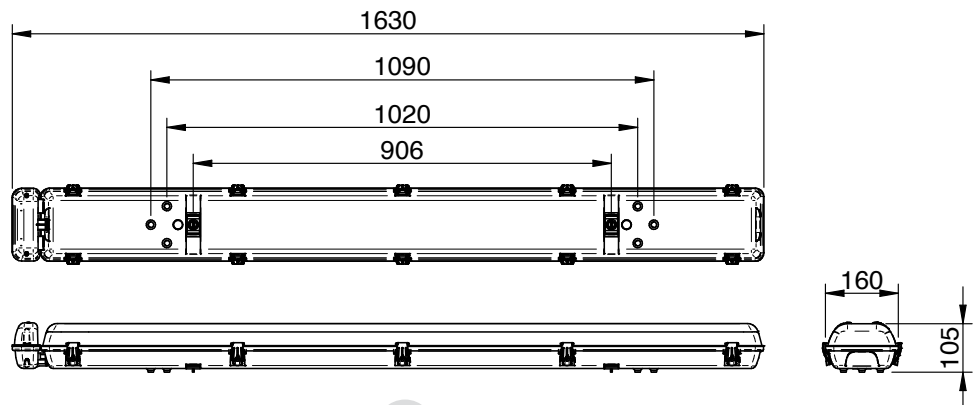
POWER CONSUMPTION	Standby Charge/ Main Lamp On		Main Lamp On	Standby Charge/ Main Lamp On @ Min 10%		Main Lamp On @ Min 10%	LUMEN OUTPUT			LUMENS / WATT			
	LP	L10		STANDARD	LP		L10	STANDARD	LP	L10	STANDARD	LP	L10
3000K	48.3W		47.9 W	7.1W		6.7W	5877 lm		5877 lm		122 lm/W		123 lm/W
4000K DEFAULT	46.7W		46.3W	7.0W		6.6W	6337 lm		6337 lm		136 lm/W		137 lm/W
5700K	48.1W		47.7W	7.1W		6.7W	6185 lm		6185 lm		129 lm/W		130 lm/W

Product Configuration:

- 1 1500mm No Pod
- 2 1500mm With Pod



1



2

Dimensions (mm)

The product details described in this document are current as at the version date of the document. We reserve the right to change product design, specifications or materials (Specifications) as part of our continuous improvement program. Images are indicative only. Please confirm the applicable Specifications at the time of placing your order.

ARGONAUT PRO WEATHERPROOF



ARGONAUT
PRO

Ultimate Spec & Efficiency, Configurable Quad Output*



The Argonaut Pro Weatherproof range is designed to maximise LED efficiency with the highest product performance and LED lifetime. Featuring configurable quad output, they maximise efficiency by delivering up to 152lm/W.

Backed by Clevertronics support, service and warranty, the batten range is available as a Standard or Emergency LP or L10 Nanophosphate with monitoring capabilities including Zoneworks XT HIVE, DALI and CTP.

Applications

-  Car Parks
-  Stairwells
-  Fire Stairs
-  Corridors
-  Back of House

Emergency Range

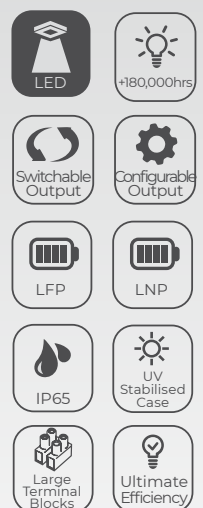


*1200mm Standard Batten, varies by model.



Features and Benefits

- Ultimate efficiency @ 152 lm/W*
- Configurable quad output (varies by model)
- IP65
- Long life, energy efficient LED strip module
- Large terminal block for easy installation
- Lithium Iron Phosphate or Nanophosphate® battery
- Emergency pod for maximum in-service life and lowest maintenance cost
- Emergency integral battery option also available
- Up to D80 emergency classification
- AS/NZS 2293.3 compliant



ARGONAUT PRO WEATHERPROOF 600MM

ULTIMATE SPEC & EFFICIENCY

ORDERING INFORMATION	EMERGENCY (LP)		EMERGENCY (L10)	STANDARD
Nominal Size	600mm ①	600mm ②	600mm ②	600mm ①
Standard	ARGOPRO-600-LP	ARGOPRO-600-LPPOD	ARGOPRO-600-LI0POD	ARGOPRO-600
DALI Driver	ARGOPRO-600-DD-LP	ARGOPRO-600-DD-LPPOD	ARGOPRO-600-DD-LI0POD	ARGOPRO-600-DD
Motion Sensors	ARGOPRO-600-SEN-LP	ARGOPRO-600-SEN-LPPOD	ARGOPRO-600-SEN-LI0POD	ARGOPRO-600-SEN
CTP System Compatible	Yes			-
DALI*	ARGOPRO-600-LP-DALI	ARGOPRO-600-LPPOD-DALI	ARGOPRO-600-LI0POD-DALI	-
Zoneworks XT HIVE*	ARGOPRO-600-LP-HV	ARGOPRO-600-LPPOD-HV	ARGOPRO-600-LI0POD-HV	-
Carton Quantity	1			
Weight	1.7kg	2.0kg	2.0kg	1.4kg
Dimensions (L X W X H)	655mm x 160mm x 105mm	720mm x 160mm x 105mm	720mm x 160mm x 105mm	655mm x 160mm x 105mm

* For motion sensors add -SEN to the product code as per following example: ARGOPRO-600-SEN-LP-DALI

TECHNICAL SPECIFICATIONS	EMERGENCY (LP)	EMERGENCY (L10)	STANDARD
Construction - Base	UV Stabilised Polycarbonate		
Construction - Diffuser	UV Stabilised Polycarbonate		
Voltage (V) (Frequency (Hz))	220-240V (50Hz)		
Lamp ♦	LED Strip Module		
Luminaire CCT	4000K		
Lamp Projected Life	Ra>80 Ta40°C; 184,000hrs (L70/B50), 100,000hrs (L80/B20), 43,000hrs (L90/B10)		
Power Consumption & Light Output	(See Table on Next Page)		
Ingress Protection Rating (IP)	IP65		
Impact Rating (IK)	IK08		

♦ Please refer to the specific product data sheet for actual power, light output, lamp lifetime and driver values.

EMERGENCY SPECIFICATIONS	EMERGENCY (LP)		EMERGENCY (L10)
Operating Mode	Sustained		
Battery Configuration	Integral	POD	POD
Battery Type	Lithium Iron Phosphate		Lithium Nanophosphate®
Voltage (V) / Capacity (mAh)	3.2V / 6400mAh		3.3V / 5000mAh
Charging Method	Intelligent Current Limited Constant Voltage		

CLASSIFICATIONS	EMERGENCY (LP)		EMERGENCY (L10)
C0	D63	D80	D80
C90	D40	D80	D80

SPACING TABLE & MOUNTING HEIGHTS - AS / NZS 2293.1:2018 (MINIMUM LIGHT LEVEL OF 0.2 LUX)												
Classification	2.1m	2.4m	2.7m	3.0m	3.3m	3.6m	4.0m	4.5m	5.0m	6.0m	7.0m	8.0m
D40	11.5	13.2	14.8	16.5	18.1	19.5	20.1	20.7	21.2	22.1	22.6	23.0
D63	11.5	13.2	14.8	16.5	18.1	19.8	22.0	24.5	25.2	26.4	27.3	28.0
D80	11.5	13.2	14.8	16.5	18.1	19.8	22.0	24.7	27.5	28.9	30.0	30.9

■ Care should be taken when spacing luminaires at the distances indicated by the shaded regions to ensure conformance to AS/NZS2293.1, Clause 4.3 is maintained. A single emergency luminaire shall not serve an area of greater than 500 m².

For 1 lux and AS/NZS 2293.1:2005 spacing tables please visit: <https://clevertronics.com.au/spacing-tables/>

*Warranty information located at: <https://clevertronics.com.au/warranty-statement/>

ARGONAUT PRO WEATHERPROOF 600MM

ULTIMATE SPEC & EFFICIENCY

NO SENSOR

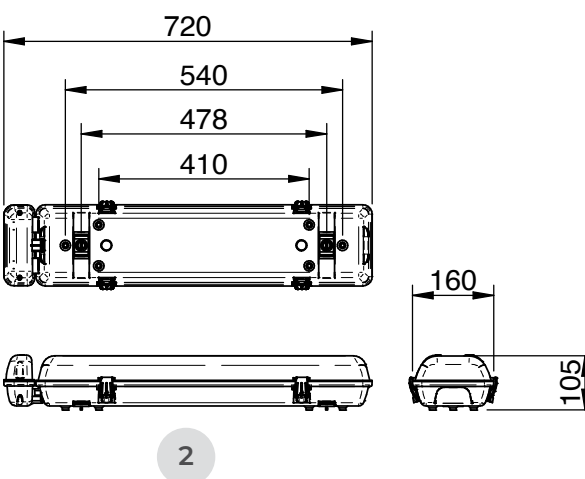
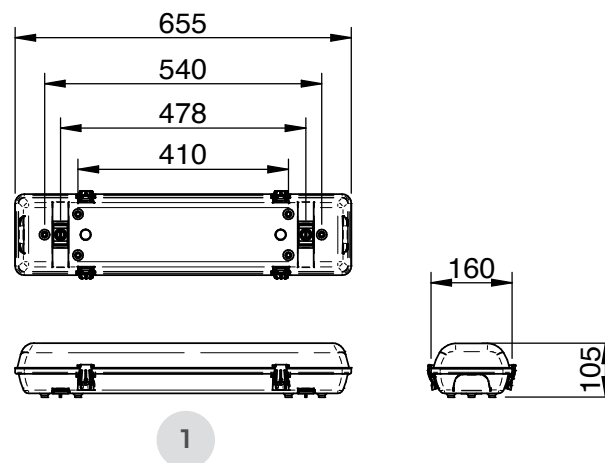
POWER CONSUMPTION	Standby Charge/ Main Lamp On		Main Lamp On	LUMEN OUTPUT			LUMENS / WATT			
	LP	L10		STANDARD	LP	L10	STANDARD	LP	L10	STANDARD
Output (700mA)	18.7W		18.3W		2564 lm	2564 lm		137 lm/W	140 lm/W	

SENSOR

POWER CONSUMPTION	Standby Charge/ Main Lamp On		Main Lamp On	Standby Charge / Main Lamp On @ Min 10%		Main Lamp On @ Min 10%	LUMEN OUTPUT			LUMENS / WATT			
	LP	L10		STANDARD	LP		L10	STANDARD	LP	L10	STANDARD	LP	L10
Output (700mA)	18.4W		18.0W		2.9W	2.5W		2564 lm	2564 lm		139 lm/W	142 lm/W	

Product Configuration:

- 1 600mm No Pod
- 2 600mm With Pod



Dimensions (mm)

The product details described in this document are current as at the version date of the document. We reserve the right to change product design, specifications or materials (Specifications) as part of our continuous improvement program. Images are indicative only. Please confirm the applicable Specifications at the time of placing your order.

ARGONAUT PRO WEATHERPROOF 1200MM

ULTIMATE SPEC & EFFICIENCY, CONFIGURABLE QUAD OUTPUT

ORDERING INFORMATION		EMERGENCY (LP)		EMERGENCY (L10)		STANDARD		
Nominal Size		1200mm ①	1200mm ②	1200mm ②	1200mm ②	1200mm ②	1200mm ②	
TEST OPTIONS / PART #	Standard	ARGOPRO-1200-LP	ARGOPRO-1200-LPPOD	ARGOPRO-1200-L10POD	ARGOPRO-1200-L10POD	ARGOPRO-1200-L10POD	ARGOPRO-1200	
	DALI Driver	ARGOPRO-1200-DD-LP	ARGOPRO-1200-DD-LPPOD	ARGOPRO-1200-DD-L10POD	ARGOPRO-1200-DD-L10POD	ARGOPRO-1200-DD-L10POD	ARGOPRO-1200-DD	
	Motion Sensors	ARGOPRO-1200-SEN-LP	ARGOPRO-1200-SEN-LPPOD	ARGOPRO-1200-SEN-L10POD	ARGOPRO-1200-SEN-L10POD	ARGOPRO-1200-SEN-L10POD	ARGOPRO-1200-SEN	
	CTP System Compatible	Yes						-
	DALI*	ARGOPRO-1200-LP-DALI	ARGOPRO-1200-LPPOD-DALI	ARGOPRO-1200-L10POD-DALI	ARGOPRO-1200-L10POD-DALI	ARGOPRO-1200-L10POD-DALI		-
	Zoneworks XT HIVE*	ARGOPRO-1200-LP-HV	ARGOPRO-1200-LPPOD-HV	ARGOPRO-1200-L10POD-HV	ARGOPRO-1200-L10POD-HV	ARGOPRO-1200-L10POD-HV		-
	Carton Quantity	1						
Weight	2.9kg	3.2kg	3.2kg	3.2kg	3.2kg	3.2kg	2.7kg	
Dimensions (L X W X H)	1265mm x 160mm x 105mm	1330mm x 160mm x 105mm	1330mm x 160mm x 105mm	1330mm x 160mm x 105mm	1330mm x 160mm x 105mm	1330mm x 160mm x 105mm	1265mm x 160mm x 105mm	

* For motion sensors add -SEN to the product code as per following example: ARGOPRO-1200-SEN-LP-DALI

TECHNICAL SPECIFICATIONS		EMERGENCY (LP)		EMERGENCY (L10)		STANDARD	
Construction - Base	UV Stabilised Polycarbonate						
Construction - Diffuser	UV Stabilised Polycarbonate						
Voltage (V) (Frequency (Hz))	220-240V (50Hz)						
Lamp ♦	LED Strip Module						
Luminaire CCT	4000K						
Lamp Projected Life	Ra>80 Ta40°C; 184,000hrs (L70/B50), 100,000hrs (L80/B20), 43,000hrs (L90/B10)						
Power Consumption & Light Output	(See Table on Next Page)						
Ingress Protection Rating (IP)	IP65						
Impact Rating (IK)	IK08						

♦ Please refer to the specific product data sheet for actual power, light output, lamp lifetime and driver values.

EMERGENCY SPECIFICATIONS		EMERGENCY (LP)		EMERGENCY (L10)	
Operating Mode	Sustained				
Battery Configuration	Integral	POD	POD	POD	POD
Battery Type	Lithium Iron Phosphate			Lithium Nanophosphate®	
Voltage (V) / Capacity (mAh)	3.2V / 6400mAh			3.3V / 5000mAh	
Charging Method	Intelligent Current Limited Constant Voltage				

CLASSIFICATIONS		EMERGENCY (LP)		EMERGENCY (L10)	
C0	D63	D80	D80	D80	D80
C90	D40	D80	D80	D80	D80

SPACING TABLE & MOUNTING HEIGHTS - AS / NZS 2293.1:2018 (MINIMUM LIGHT LEVEL OF 0.2 LUX)												
Classification	2.1m	2.4m	2.7m	3.0m	3.3m	3.6m	4.0m	4.5m	5.0m	6.0m	7.0m	8.0m
D40	11.5	13.2	14.8	16.5	18.1	19.5	20.1	20.7	21.2	22.1	22.6	23.0
D63	11.5	13.2	14.8	16.5	18.1	19.8	22.0	24.5	25.2	26.4	27.3	28.0
D80	11.5	13.2	14.8	16.5	18.1	19.8	22.0	24.7	27.5	28.9	30.0	30.9

■ Care should be taken when spacing luminaires at the distances indicated by the shaded regions to ensure conformance to AS/NZS2293.1, Clause 4.3 is maintained. A single emergency luminaire shall not serve an area of greater than 500 m².

For 1 lux and AS/NZS 2293.1:2005 spacing tables please visit: <https://clevertronics.com.au/spacing-tables/>

*Warranty information located at: <https://clevertronics.com.au/warranty-statement/>

ARGONAUT PRO WEATHERPROOF 1200MM

ULTIMATE SPEC & EFFICIENCY, CONFIGURABLE QUAD OUTPUT

NO SENSOR

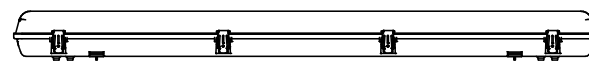
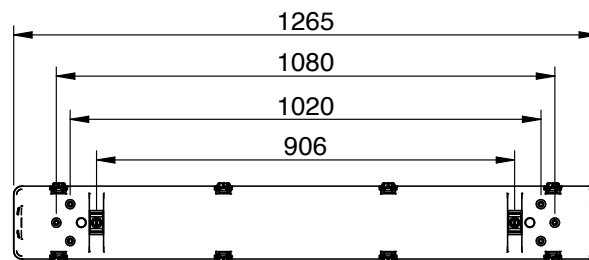
POWER CONSUMPTION	Standby Charge/ Main Lamp On		Main Lamp On	LUMEN OUTPUT			LUMENS / WATT				
	LP	L10		STANDARD	LP	L10	STANDARD	LP	L10	STANDARD	
Output 4 (900mA)	42.5W		42.1W		6259 lm		6259 lm		147 lm/W		149 lm/W
Output 3 (750mA)	37.0W		36.6W		5495 lm		5495 lm		149 lm/W		150 lm/W
Output 2 (650mA) DEFAULT	31.1W		30.7W		4660 lm		4660 lm		150 lm/W		152 lm/W
Output 1 (500mA)	24.0W		23.6W		3541 lm		3541 lm		148 lm/W		150 lm/W

SENSOR

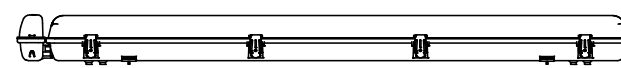
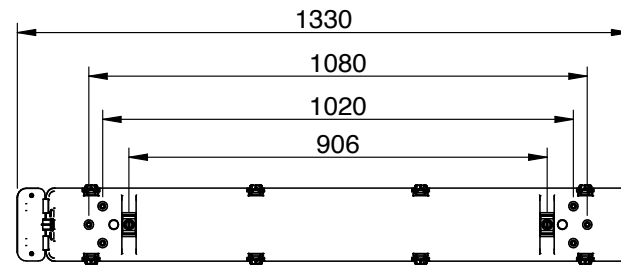
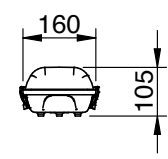
POWER CONSUMPTION	Standby Charge/ Main Lamp On		Main Lamp On	Standby Charge / Main Lamp On @ Min 10%		Main Lamp On @ Min 10%	LUMEN OUTPUT			LUMENS / WATT		
	LP	L10		STANDARD	LP		L10	STANDARD	LP	L10	STANDARD	LP
Output 4 (900mA)	43.1W		42.7W	5.7W		5.3W	6259 lm		6259 lm	145 lm/W		147 lm/W
Output 3 (750mA)	36.7W		36.3W	5.1W		4.7W	5495 lm		5495 lm	150 lm/W		151 lm/W
Output 2 (650mA) DEFAULT	31.3W		30.9W	4.4W		4.0W	4660 lm		4660 lm	149 lm/W		151 lm/W
Output 1 (500mA)	24.5W		24.1W	3.6W		3.2W	3541 lm		3541 lm	146 lm/W		147 lm/W

Product Configuration:

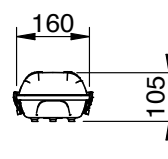
- 1 1200mm No Pod
- 2 1200mm With Pod



1



2



Dimensions (mm)

The product details described in this document are current as at the version date of the document. We reserve the right to change product design, specifications or materials (Specifications) as part of our continuous improvement program. Images are indicative only. Please confirm the applicable Specifications at the time of placing your order.

ARGONAUT PRO WEATHERPROOF 1500MM

ULTIMATE SPEC & EFFICIENCY, SWITCHABLE DUAL OUTPUT

ORDERING INFORMATION		EMERGENCY (LP)		EMERGENCY (L10)	STANDARD
Nominal Size	1500mm ①	1500mm ②	1500mm ②	1500mm ①	
Standard	ARGOPRO-1500-LP	ARGOPRO-1500-LPPOD	ARGOPRO-1500-L10POD	ARGOPRO-1500	
TEST OPTIONS / PART#	DALI Driver	ARGOPRO-1500-DD-LP	ARGOPRO-1500-DD-LPPOD	ARGOPRO-1500-DD-L10POD	ARGOPRO-1500-DD
Motion Sensors	ARGOPRO-1500-SEN-LP	ARGOPRO-1500-SEN-LPPOD	ARGOPRO-1500-SEN-L10POD	ARGOPRO-1500-SEN	
CTP System Compatible	Yes				-
DALI*	ARGOPRO-1500-LP-DALI	ARGOPRO-1500-LPPOD-DALI	ARGOPRO-1500-L10POD-DALI		-
Zoneworks XT HIVE*	ARGOPRO-1500-LP-HV	ARGOPRO-1500-LPPOD-HV	ARGOPRO-1500-L10POD-HV		-
Carton Quantity	1				
Weight	3.6kg	3.9kg	3.9kg	3.3kg	
Dimensions (L X W X H)	1565mm x 160mm x 105mm	1630mm x 160mm x 105mm	1630mm x 160mm x 105mm	1565mm x 160mm x 105mm	

* For motion sensors add -SEN to the product code as per following example: ARGOPRO-1500-SEN-LP-DALI

TECHNICAL SPECIFICATIONS	EMERGENCY (LP)	EMERGENCY (L10)	STANDARD
Construction - Base	UV Stabilised Polycarbonate		
Construction - Diffuser	UV Stabilised Polycarbonate		
Voltage (V) (Frequency (Hz))	220-240V (50Hz)		
Lamp ♦	LED Strip Module		
Luminaire CCT	4000K		
Lamp Projected Life	Ra>80 Ta40°C; 184,000hrs (L70/B50), 100,000hrs (L80/B20), 43,000hrs (L90/B10)		
Power Consumption & Light Output	(See Table on Next Page)		
Ingress Protection Rating (IP)	IP65		
Impact Rating (IK)	IK08		

♦ Please refer to the specific product data sheet for actual power, light output, lamp lifetime and driver values.

EMERGENCY SPECIFICATIONS	EMERGENCY (LP)		EMERGENCY (L10)
Operating Mode	Sustained		
Battery Configuration	Integral	POD	POD
Battery Type	Lithium Iron Phosphate		Lithium Nanophosphate®
Voltage (V) / Capacity (mAh)	3.2V / 6400mAh		3.3V / 5000mAh
Charging Method	Intelligent Current Limited Constant Voltage		

CLASSIFICATIONS	EMERGENCY (LP)		EMERGENCY (L10)
C0	D63	D80	D80
C90	D40	D80	D80

SPACING TABLE & MOUNTING HEIGHTS - AS / NZS 2293.1:2018 (MINIMUM LIGHT LEVEL OF 0.2 LUX)

Classification	2.1m	2.4m	2.7m	3.0m	3.3m	3.6m	4.0m	4.5m	5.0m	6.0m	7.0m	8.0m
D40	11.5	13.2	14.8	16.5	18.1	19.5	20.1	20.7	21.2	22.1	22.6	23.0
D63	11.5	13.2	14.8	16.5	18.1	19.8	22.0	24.5	25.2	26.4	27.3	28.0
D80	11.5	13.2	14.8	16.5	18.1	19.8	22.0	24.7	27.5	28.9	30.0	30.9

■ Care should be taken when spacing luminaires at the distances indicated by the shaded regions to ensure conformance to AS/NZS2293.1, Clause 4.3 is maintained. A single emergency luminaire shall not serve an area of greater than 500 m².

For 1 lux and AS/NZS 2293.1:2005 spacing tables please visit: <https://clevertronics.com.au/spacing-tables/>

*Warranty information located at: <https://clevertronics.com.au/warranty-statement/>

ARGONAUT PRO WEATHERPROOF 1500MM

ULTIMATE SPEC & EFFICIENCY, SWITCHABLE DUAL OUTPUT

NO SENSOR

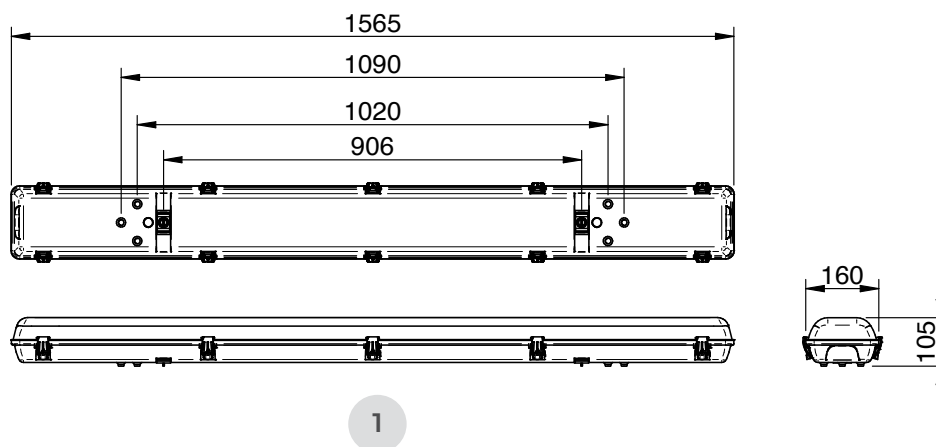
POWER CONSUMPTION	Standby Charge/ Main Lamp On		Main Lamp On	LUMEN OUTPUT			LUMENS / WATT			
	LP	L10		STANDARD	LP	L10	STANDARD	LP	L10	STANDARD
Output 2 (1200mA) DEFAULT	59.1W		58.1W		8498 lm	8498 lm		144 lm/W	146 lm/W	
Output 1 (900mA)	44.1W		42.8W		6385 lm	6385 lm		145 lm/W	149 lm/W	

SENSOR

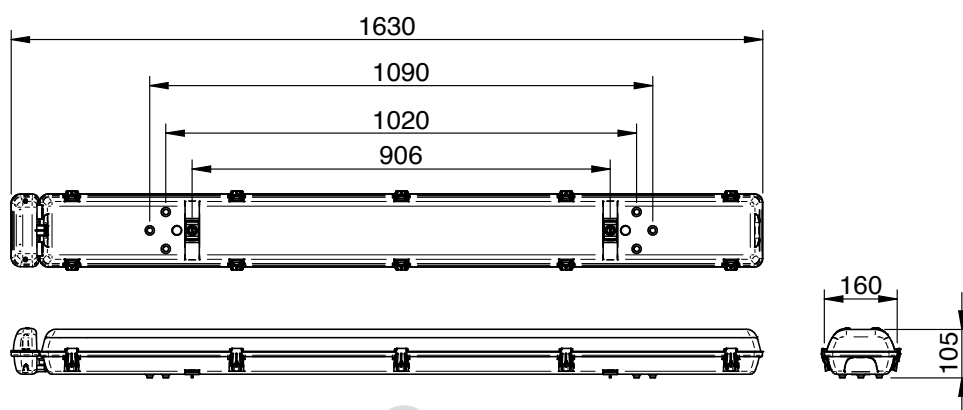
POWER CONSUMPTION	Standby Charge/ Main Lamp On		Main Lamp On	Standby Charge / Main Lamp On @ Min 10%		Main Lamp On @ Min 10%	LUMEN OUTPUT			LUMENS / WATT			
	LP	L10		STANDARD	LP		L10	STANDARD	LP	L10	STANDARD	LP	L10
Output 2 (1200mA) DEFAULT	58.5W		58.1W	9.7W		7.0W		8498 lm	8498 lm		145 lm/W	146 lm/W	
Output 1 (900mA)	43.1W		42.7W	8.0W		5.3W		6385 lm	6385 lm		148 lm/W	150 lm/W	

Product Configuration:

- 1 1500mm No Pod
- 2 1500mm With Pod



1



2

Dimensions (mm)

The product details described in this document are current as at the version date of the document. We reserve the right to change product design, specifications or materials (Specifications) as part of our continuous improvement program. Images are indicative only. Please confirm the applicable Specifications at the time of placing your order.

ARGONAUT VANDAL RESISTANT



High Level Impact Protection

The Argonaut Vandal Resistant batten range provides a wide selection of emergency batters for vandal resistant applications where higher level of impact protection is required.

Available in L10 Nanophosphate® with all emergency test options including Zoneworks® XT HIVE, DALI and CTP System.

Applications



Public Amenities



Schools



Stadiums



Railway Stations

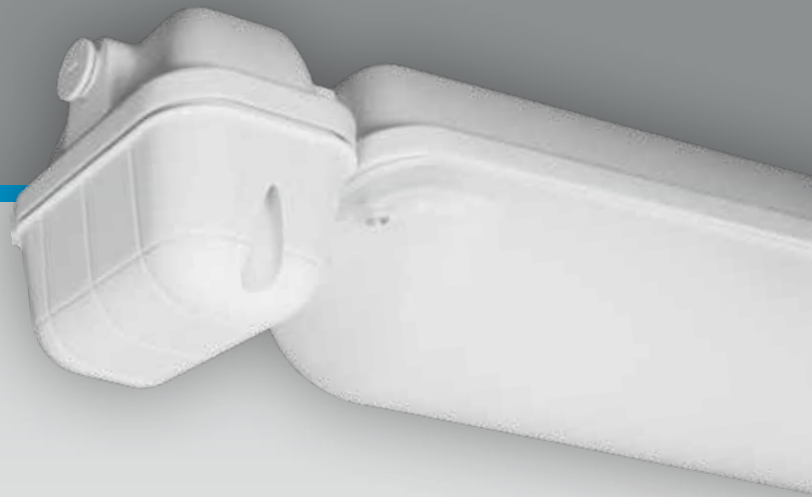


Car Parks



Correction Facilities

L10 LITHIUM NANOPHOSPHATE®
OPTIMUM
NOTHING ELSE COMPETES WITH NANOPHOSPHATE®



Features and Benefits

- AS/NZS 2293.3 compliant
- LED lamps
- Lithium Nanophosphate® battery
- IK10
- IP66
- Die cast low copper aluminium body
- Zoneworks® XT HIVE or DALI test options
- Clevertest Plus System compatible



ARGONAUT VANDAL RESISTANT 600MM

ORDERING INFORMATION		L10	240V
Nominal Size		600mm	600mm
TEST OPTIONS / PART#	Standard	LVP2LEDM-P	FVP2LED-P
	DALI Driver	LVP2LEDM-P-DD	FVP2LED-P-DD
	CTP System Compatible	Yes	-
	Motion Sensors	Yes (On/Off)	
	DALI	LVP2LEDM-P-DALI	-
	Zoneworks® XT HIVE	LVP2LEDM-P-HV	-
	Carton Quantity	4	
Weight - Single (Carton)	3.2kg	2.4kg	
Dimensions (L x W x H)	790mm x 140mm x 120mm	700mm x 140mm x 120mm	

For Motion sensor version add -MS to the product code as per the following example: LVP2LEDM-P-MS

TECHNICAL SPECIFICATIONS		L10	240V
Construction - Base	Pressure Die-Cast, Low Copper Aluminium Alloy Body with Powder Coat Paint Finish		
Construction - Diffuser	Opal Impact Resistant Polycarbonate with Secure Access Screws (LSZH)		
Voltage (V) (Frequency (Hz))	220-240V (50Hz)		
Power Consumption ♦ (Standby / Max)	1.1W / 27W	22W	
Nominal Total Light Output ♦	2500lm		
Lamp	LED Strip Module		
Lamp CCT & Life ♦	4000K, 100,000 hrs (L80,B20, Ra>80, Ta40c)		
Operating Temperature	0°C to 40°C		
Ingress Protection Rating (IP)	IP66		
IK Rating	IK10		

♦ Please refer to the specific product data sheet for actual power, light output, lamp lifetime and driver values.

EMERGENCY SPECIFICATIONS		L10	240V
Operating Mode	Maintained	-	
Battery Configuration	Pod	-	
Battery Type	Lithium Nanophosphate®	-	
Voltage / Capacity (mAh)	6.6V / 2500mAh	-	
Charging Method	Intelligent Current Limited Constant Voltage	-	

CLASSIFICATION		L10	240V
C0	D63	-	
C90	D32	-	

ARGONAUT VANDAL RESISTANT 1200MM

ORDERING INFORMATION		L10	240V
Nominal Size		1200mm	1200mm
TEST OPTIONS / PART #	Standard	LVP4LEDM-P	FVP4LED-P
	DALI Driver	LVP4LEDM-P-DD	FVP4LED-P-DD
	CTP System Compatible	Yes	-
	Motion Sensors	Yes (High/Low)	
	DALI	LVP4LEDM-P-DALI	-
	Zoneworks® XT HIVE	LVP4LEDM-P-HV	-
Carton Quantity	4		
Weight - Single (Carton)	5.2kg	4.1kg	
Dimensions (L x W x H)	1400mm x 140mm x 120mm	1320mm x 140mm x 120mm	

For Motion sensor version add -MS-HL to the product code as per the following example: LP4LEDM-P-MS-HL

TECHNICAL SPECIFICATIONS	L10	240V
Construction - Base	Pressure Die-Cast, Low Copper Aluminium Alloy Body with Powder Coat Paint Finish	
Construction - Diffuser	Opal Impact Resistant Polycarbonate with Secure Access Screws (LSZH)	
Voltage (V) (Frequency (Hz))	220-240V (50Hz)	
Power Consumption ♦ (Standby / Max)	0.4W / 44W	43W
Nominal Total Light Output ♦	5135lm	
Lamp	LED Strip Module	
Lamp CCT & Life ♦	4000K, 100,000 hrs (L80,B20, Ra>80, Ta40c)	
Operating Temperature	0°C to 40°C	
Ingress Protection Rating (IP)	IP66	
IK Rating	IK10	

♦ Please refer to the specific product data sheet for actual power, light output, lamp lifetime and driver values.

EMERGENCY SPECIFICATIONS	L10	240V
Operating Mode	Maintained	-
Battery Configuration	Pod	-
Battery Type	Lithium Nanophosphate®	-
Voltage / Capacity (mAh)	6.6V / 2500mAh	-
Charging Method	Intelligent Current Limited Constant Voltage	-

CLASSIFICATION	L10	240V
C0	D100	-
C90	D50	-

ARGONAUT VANDAL RESISTANT

SPACING TABLE AND MOUNTING HEIGHTS – AS/NZS 2293.1:2018 (MINIMUM LIGHT LEVEL OF 0.2 LUX)

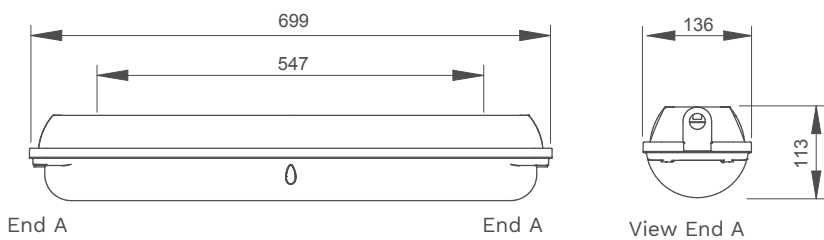
Classification	2.1m	2.4m	2.7m	3.0m	3.3m	3.6m	4.0m	4.5m	5.0m	6.0m	7.0m	8.0m
D32	11.5	13.2	14.8	16.5	17.6	18.0	18.5	19.0	19.5	20.1	20.5	20.7
D50	11.5	13.2	14.8	16.5	18.1	19.8	21.8	22.5	23.1	24.9	24.9	25.4
D63	11.5	13.2	14.8	16.5	18.1	19.8	22.0	24.5	25.2	26.4	27.3	28
D100	11.5	13.2	14.8	16.5	18.1	19.8	22.0	24.7	27.5	31.3	32.6	33.7

■ Care should be taken when spacing luminaires at the distances indicated by the shaded regions to ensure conformance to AS/NZS2293.1, Clause 4.3 is maintained. A single emergency luminaire shall not serve an area of greater than 500 m².

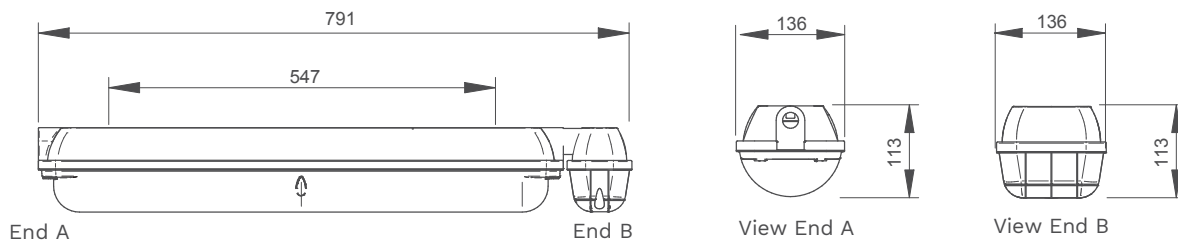
For 1 lux and AS/NZS 2293.1:2005 spacing tables please visit: <https://clevertronics.com.au/spacing-tables/>

*Warranty information located at: <https://clevertronics.com.au/warranty-statement/>

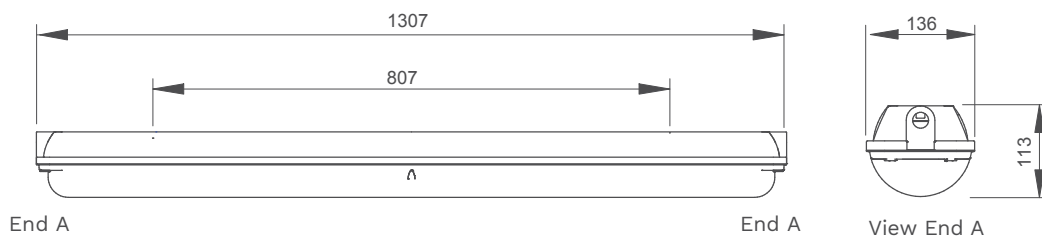
600mm/2ft no pod



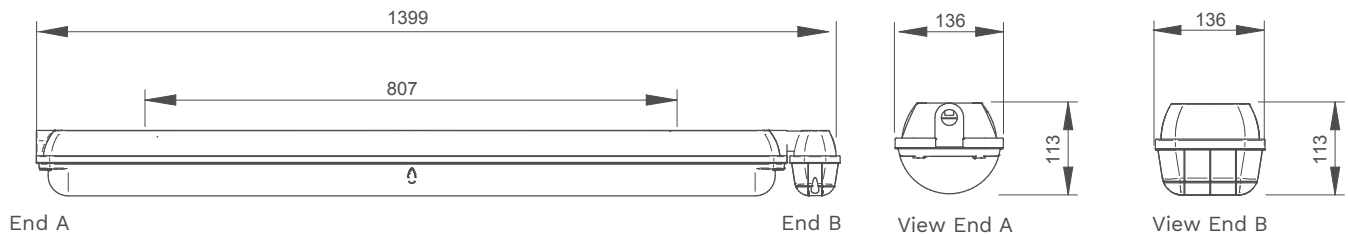
600mm/2ft with battery pod



1200mm/4ft no pod

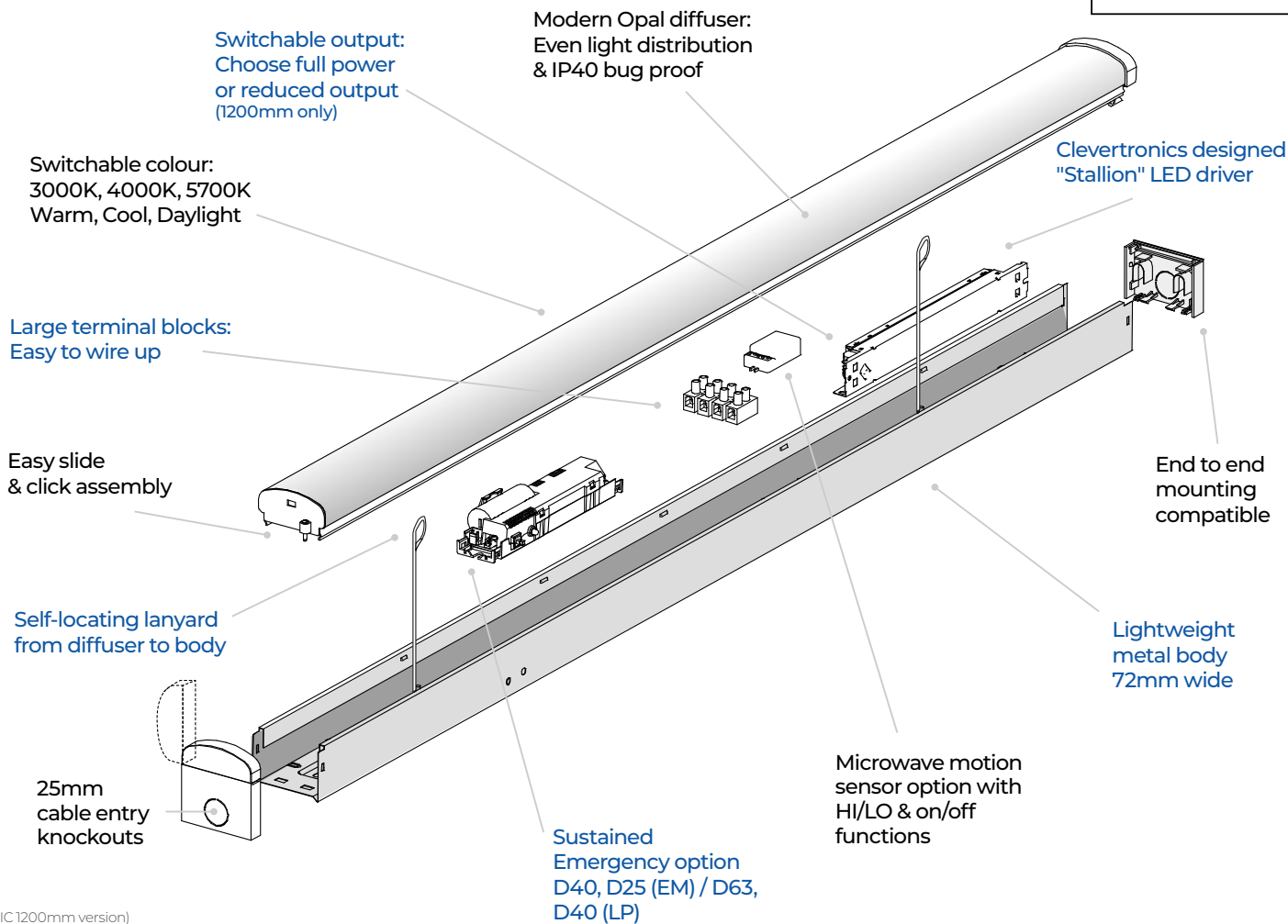


1200mm/4ft with battery pod



Dimensions (mm)

Installation Guides & Information
Visit: clevertronics.com.au/epic



(EPIC 1200mm version)

The product details described in this document are current as at the version date of the document. We reserve the right to change product design, specifications or materials (Specifications) as part of our continuous improvement program. Images are indicative only. Please confirm the applicable Specifications at the time of placing your order.

EPIC INDOOR



Switchable Colour & Dual Output Indoor LED Batten Range

The EPIC Indoor LED batten range is a sleek and easy to install design combined with switchable colour and output featuring easy slide and click assembly, mounting template and large terminal block.

The emergency version contains market leading Lithium Iron Phosphate battery technology and testing options are available with the LP range.

Packed with features and backed by Clevertronics reliability, the EPIC is built to impress.

Applications



Retail



Corridors



Offices



Back of House



Schools

TRADE
SERIES
THE TRADE'S CHOICE

LP LITHIUM IRON
PHOSPHATE
PREMIUM
PREMIUM PROJECT PERFORMANCE



Features and Benefits

- AS/NZS 2293.3 compliant
- Long life, energy efficient LED strip module
- Switchable colour (3000K / 4000K / 5700K)
- Switchable output (varies by model)
- On-carton mounting template
- Large terminal block for easy installation
- Self-locating lanyard from diffuser to body
- Lithium (LiFePO₄) battery technology



EPIC INDOOR 600MM

SWITCHABLE COLOUR

ORDERING INFORMATION	EMERGENCY (TS)	STANDARD
Nominal Size	600mm	600mm
Standard	EPIC-600-EM	EPIC-600
TEST OPTIONS / PART #		
DALI Driver	No	
Motion Sensors	EPIC-600-SEN-EM	EPIC-600-SEN
CTP System Compatible	No	-
DALI*	-	-
Zoneworks XT HIVE*	-	-
Carton Quantity	6	
Weight - Single (Carton)	1.0 Kg	0.8 Kg
Dimensions (L X W X H)	605mm x 72mm x 78mm	

TECHNICAL SPECIFICATIONS	EMERGENCY (TS)	STANDARD
Construction - Base	Powder Coated Sheet Metal	
Construction - Diffuser	Co-Extruded IP40 Polycarbonate Diffuser Assembly	
Voltage (V) (Frequency (Hz))	220-240V~ (50Hz)	
Power Consumption (Standby / Max) ♦	(See Table on Next Page)	
Lamp ♦	Dual LED Strip Module	
Lamp(s) (CCT / Life)	3000K, 4000K, 5700K / 54000hr Life (L70 / B50, Ra >80 Ta 40c)	
Nominal Total Light Output ♦	(See Table on Next Page)	
Ingress Protection Rating (IP)	IP20	
Impact Rating (IK)	IK03	

♦ Please refer to the specific product data sheet for actual power, light output, lamp lifetime and driver values.

EMERGENCY SPECIFICATIONS	EMERGENCY (TS)
Operating Mode	Sustained
Battery Configuration	Integral
Battery Type	Lithium Iron Phosphate
Voltage / mAh	3.2V / 3000mAh
Charging Method	Intelligent Current Limited Constant Voltage

CLASSIFICATIONS	EMERGENCY (TS)
C0	D40
C90	D25

SPACING TABLE & MOUNTING HEIGHTS - AS / NZS 2293.1:2018 (MINIMUM LIGHT LEVEL OF 0.2 LUX)												
Classification	2.1m	2.4m	2.7m	3.0m	3.3m	3.6m	4.0m	4.5m	5.0m	6.0m	7.0m	8.0m
D25	11.5	13.2	14.8	15.7	16.1	16.4	16.8	17.3	17.6	18.1	18.3	18.2
D40	11.5	13.2	14.8	16.5	18.1	19.5	20.1	20.7	21.2	22.1	22.6	23.0

For 1 lux and AS/NZS 2293.1:2005 spacing tables please visit: <https://clevertronics.com.au/spacing-tables/>

*Warranty information located at: <https://clevertronics.com.au/warranty-statement/>

EPIC INDOOR 600MM

SWITCHABLE COLOUR

NO SENSOR

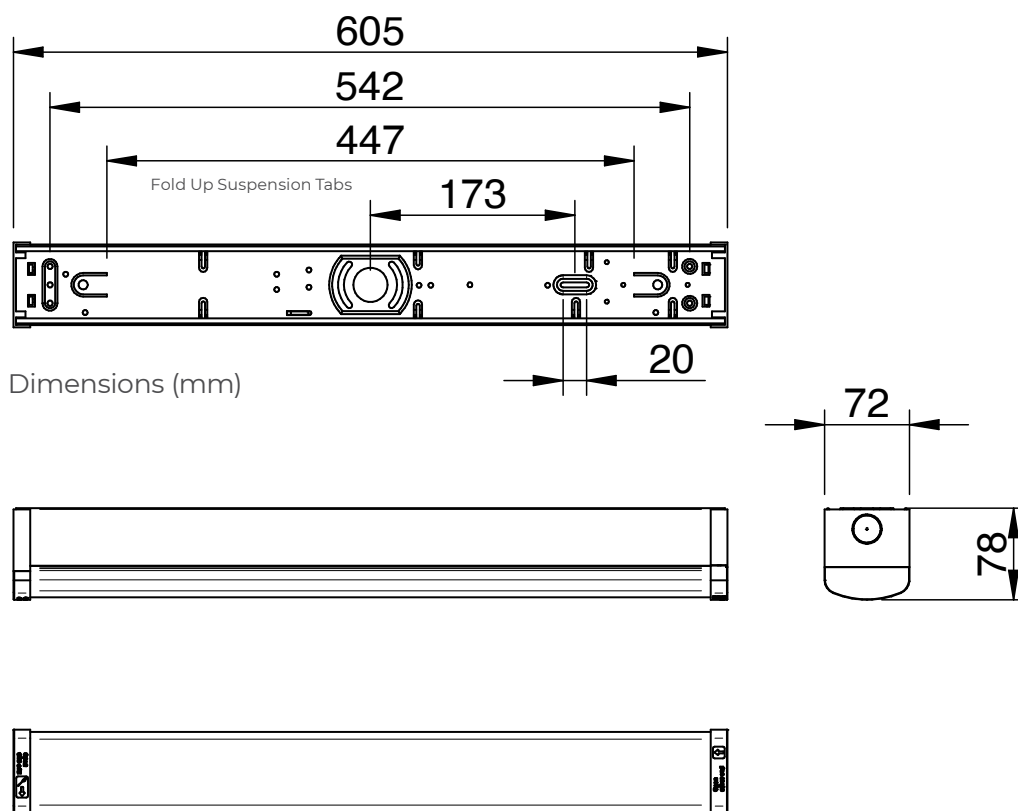
POWER CONSUMPTION	Standby Charge/ Main Lamp On	Standby Charge/ Main Lamp Off	Main Lamp On
	TS	TS	STANDARD
3000K	18.9W	0.4W	18.5W
4000K DEFAULT	18.3W	0.4W	17.9W
5700K	19.0W	0.4W	18.6W

LUMEN OUTPUT	
TS	STANDARD
2011 lm	2011 lm
2199 lm	2199 lm
2082 lm	2082 lm

SENSOR

POWER CONSUMPTION	Standby Charge/ Main Lamp On	Standby Charge/ Main Lamp On @ Min. 10%	Standby Charge/ Main Lamp Off	Main Lamp On	Main Lamp On @ Min. 10%
	TS	TS	TS	STANDARD	STANDARD
3000K	20.1W	3.6W	0.4W	19.7W	3.2W
4000K DEFAULT	19.5W	3.6W	0.4W	19.1W	3.2W
5700K	20.2W	3.6W	0.4W	19.8W	3.2W

LUMEN OUTPUT	
TS	STANDARD
2011 lm	2011 lm
2199 lm	2199 lm
2028 lm	2028 lm



The product details described in this document are current as at the version date of the document. We reserve the right to change product design, specifications or materials (Specifications) as part of our continuous improvement program. Images are indicative only. Please confirm the applicable Specifications at the time of placing your order.

EPIC INDOOR 1200MM

SWITCHABLE COLOUR & OUTPUT

ORDERING INFORMATION	EMERGENCY (TS)	EMERGENCY (LP)	STANDARD
Nominal Size	1200mm	1200mm	1200mm
Standard	EPIC-1200-EM	EPIC-1200-LP	EPIC-1200
TEST OPTIONS / PART # DALI Driver	No	EPIC-1200-DD-LP	EPIC-1200-DD
Motion Sensors	EPIC-1200-SEN-EM	EPIC-1200-SEN-LP	EPIC-1200-SEN
CTP System Compatible	No	Yes	-
DALI*	-	EPIC-1200-LP-DALI	-
Zoneworks XT HIVE*	-	EPIC-1200-LP-HV	-
Carton Quantity	6		
Weight - Single (Carton)	1.7 Kg	1.8 Kg	1.6 Kg
Dimensions (L x W x H)	1203mm x 72mm x 78mm		

* For motion sensor version add -SEN to the product code as per following example: EPIC-1200-SEN-LP-DALI

TECHNICAL SPECIFICATIONS	EMERGENCY (TS)	EMERGENCY (LP)	STANDARD
Construction - Base	Powder Coated Sheet Metal		
Construction - Diffuser	Co-Extruded IP40 Polycarbonate Diffuser Assembly		
Voltage (V) (Frequency (Hz))	220-240V~ (50Hz)		
Power Consumption (Standby / Max) ♦	(See Table on Next Page)		
Lamp ♦	Dual LED Strip Module		
Lamp(s) (CCT / Life)	3000K, 4000K, 5700K / 54000hr Life (L70 / B50, Ra >80 Ta 40c)		
Nominal Total Light Output ♦	(See Table on Next Page)		
Ingress Protection Rating (IP)	IP20		
Impact Rating (IK)	IK03		

♦ Please refer to the specific product data sheet for actual power, light output, lamp lifetime and driver values.

EMERGENCY SPECIFICATIONS	EMERGENCY (TS)	EMERGENCY (LP)
Operating Mode	Sustained	
Battery Configuration	Integral	
Battery Type	Lithium Iron Phosphate	
Voltage / mAh	3.2V / 3000mAh	3.2V / 6400mAh
Charging Method	Intelligent Current Limited Constant Voltage	

CLASSIFICATIONS	EMERGENCY (TS)	EMERGENCY (LP)
C0	D40	D63
C90	D25	D40

SPACING TABLE & MOUNTING HEIGHTS - AS / NZS 2293.1:2018 (MINIMUM LIGHT LEVEL OF 0.2 LUX)

Classification	2.1m	2.4m	2.7m	3.0m	3.3m	3.6m	4.0m	4.5m	5.0m	6.0m	7.0m	8.0m
D25	11.5	13.2	14.8	15.7	16.1	16.4	16.8	17.3	17.6	18.1	18.3	18.2
D40	11.5	13.2	14.8	16.5	18.1	19.5	20.1	20.7	21.2	22.1	22.6	23.0
D63	11.5	13.2	14.8	16.5	18.1	19.8	22.0	24.5	25.2	26.4	27.3	28.0

■ Care should be taken when spacing luminaires at the distances indicated by the shaded regions to ensure conformance to AS/NZS2293.1, Clause 4.3 is maintained. A single emergency luminaire shall not serve an area of greater than 500 m².

For 1 lux and AS/NZS 2293.1:2005 spacing tables please visit: <https://clevertronics.com.au/spacing-tables/>

*Warranty information located at: <https://clevertronics.com.au/warranty-statement/>

EPIC INDOOR 1200MM

SWITCHABLE COLOUR & OUTPUT

NO SENSOR

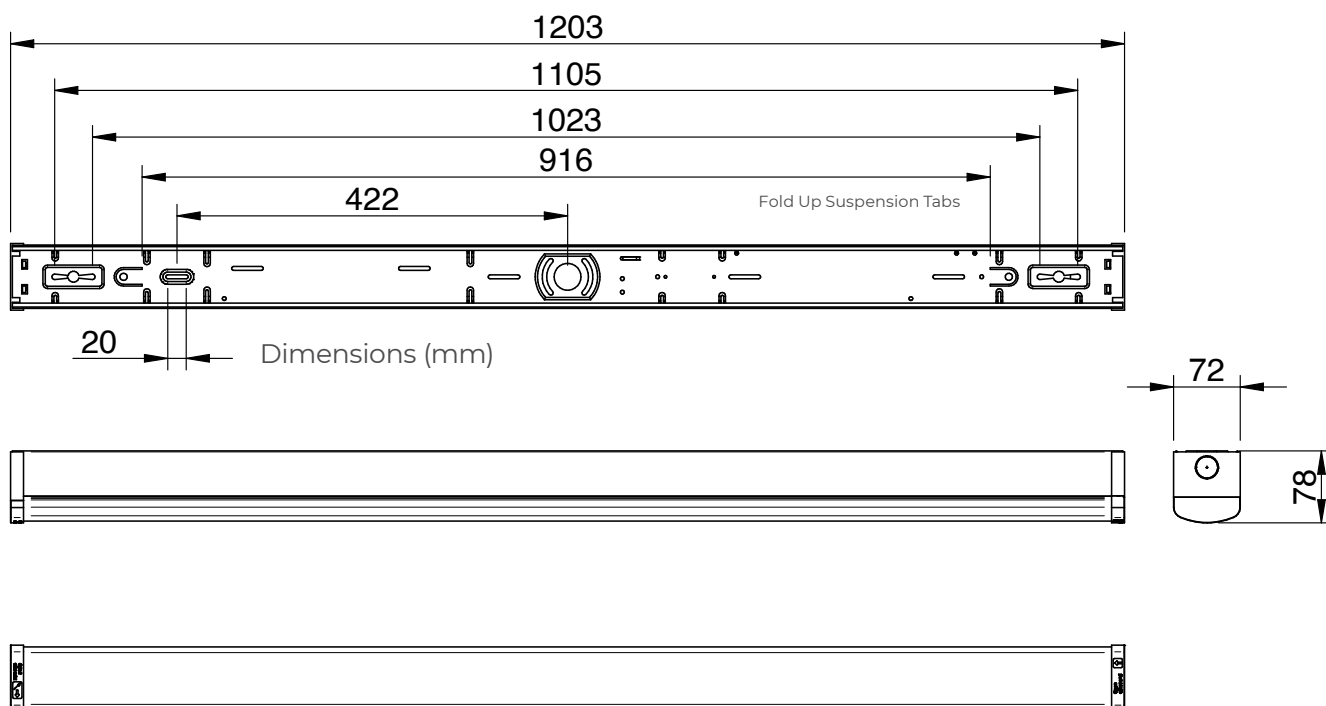
POWER CONSUMPTION	Standby Charge/ Main Lamp On		Standby Charge/ Main Lamp Off		Main Lamp On
	TS	LP	TS	LP	
OUTPUT 2 (700mA)					STANDARD
3000K	37.6W	37.6W	0.4W	0.4W	37.2W
4000K DEFAULT	35.9W	35.9W	0.4W	0.4W	35.5W
5700K	37.1W	37.1W	0.4W	0.4W	36.7W
OUTPUT 1 (350mA)					
3000K	18.5W	18.5W	0.4W	0.4W	18.1W
4000K DEFAULT	18.0W	18.0W	0.4W	0.4W	17.6W
5700K	18.3W	18.3W	0.4W	0.4W	17.9W

LUMEN OUTPUT		
TS	LP	STANDARD
4227 lm	4227 lm	4227 lm
4673 lm	4673 lm	4673 lm
4447 lm	4447 lm	4447 lm
2277 lm	2277 lm	2277 lm
2439 lm	2439 lm	2439 lm
2413 lm	2413 lm	2413 lm

SENSOR

POWER CONSUMPTION	Standby Charge/ Main Lamp On		Standby Charge/ Main Lamp On @ Min. 10%		Standby Charge/ Main Lamp Off		Main Lamp On	Main Lamp On @ Min. 10%
	TS	LP	TS	LP	TS	LP	STANDARD	STANDARD
OUTPUT (700mA)								
3000K	38.8W	38.8W	6.1W	6.1W	0.4W	0.4W	38.4W	5.7W
4000K DEFAULT	37.1W	37.1W	6.1W	6.1W	0.4W	0.4W	36.7W	5.7W
5700K	38.3W	38.3W	6.1W	6.1W	0.4W	0.4W	37.9W	5.7W

LUMEN OUTPUT		
TS	LP	STANDARD
4227 lm	4227 lm	4227 lm
4673 lm	4673 lm	4673 lm
4447 lm	4447 lm	4447 lm



The product details described in this document are current as at the version date of the document. We reserve the right to change product design, specifications or materials (Specifications) as part of our continuous improvement program. Images are indicative only. Please confirm the applicable Specifications at the time of placing your order.

ODYSSEY DIFFUSED



For Economy or Lower Cost Applications

The Odyssey Diffused steel batten range has been designed as an ideal solution for projects or applications where an economy or lower cost batten option is required.

Without compromising on features such as Lithium Iron Phosphate battery technology or emergency testing options including Zoneworks® XT HIVE, DALI or CTP the Odyssey Diffused is quality at the right price.

Applications

-  Car Parks
-  Stairwells
-  Fire Stairs
-  Corridors
-  Back of House



Features and Benefits

- AS/NZS 2293.3 compliant
- LED lamps
- Lithium Iron Phosphate battery
- Microwave motion sensors
- Zoneworks® XT HIVE or DALI test options (with LP Premium)
- Clevertest Plus System compatible



TRADE
SERIES
THE TRADES CHOICE

LP LITHIUM IRON PHOSPHATE
PREMIUM
PREMIUM PROJECT PERFORMANCE

L10 LITHIUM NANOPHOSPHATE®
OPTIMUM
NOTHING ELSE COMPETES WITH NANOPHOSPHATE®

ODYSSEY DIFFUSED 600MM

ORDERING INFORMATION		TS	LP	240V
Nominal Size		600mm	600mm	600mm
TEST OPTIONS / PART #	Standard	EBS2LEDS-DIF-LI	CBS2LEDS-DIF	FBS2LED-DIF
	DALI Driver	-	CBS2LEDS-DIF-DD	FBS2LED-DIF-DD
	Motion Sensors ■	Yes (On/Off)		
	CTP System Compatible	No	Yes	-
	DALI	-	CBS2LEDS-DIF-DALI	-
	Zoneworks® XT HIVE	-	CBS2LEDS-DIF-HV	-
	Carton Quantity	1		
Weight - Single (Carton)		2.0kg	2.0kg	1.8kg
Dimensions (L x W x H)		630mm x 120mm x 108mm	664mm x 120mm x 108mm	630mm x 120mm x 108mm

■ For Motion sensor version add -MS to the product code as per the following example. EBS2LEDS-DIF-MS-LI

TECHNICAL SPECIFICATIONS	TS	LP	240V
Construction - Base	Powder Coated Steel		
Construction - Diffuser	Acrylic Prismatic		
Voltage (V) (Frequency (Hz))	220-240V(50Hz)		
Power Consumption ♦ (Standby / Max)	0.4W / 19W		20W
Lamp(s) (CCT / Life) ♦	4000K / 50,000hrs (L70 / B50 Ra>80 Ta40)		
Lamp	LED Strip Module		
Nominal Total Light Output ♦	2250lm		
Operating Temperature	1°C to 40°C		
Ingress Protection Rating (IP)	IP20		

♦ Please refer to the specific product data sheet for actual power, light output, lamp lifetime and driver values.

EMERGENCY SPECIFICATIONS	TS	LP
Operating Mode	Sustained	
Battery Configuration	Integral	POD
Battery Type	Lithium Iron Phosphate	
Voltage / Capacity (mAh)	3.2V / 3000mAh	3.2V / 3200mAh
Charging Method	Intelligent Current Limited Constant Voltage	

CLASSIFICATION	TS	LP
C0	D50	D40
C90	C50	D40

ODYSSEY DIFFUSED 1200MM

ORDERING INFORMATION		TS		LP		240V	
Nominal Size	1200mm		1200mm		1200mm		
Standard	EBS4LEDS-DIF-LI	EBS4LEDS-LO-DIF-LI	CBS4LEDS-DIF	CBS4LEDS-LO-DIF	FBS4LED-DIF	FBS4LED-LO-DIF	
DALI Driver	-	-	CBS4LEDS-DIF-DD	CBS4LEDS-LO-DIF-DD	FBS4LED-DIF-DD	FBS4LED-LO-DIF-DD	
Motion Sensors ■	Yes (High/Low)						
CTP System Compatible	No		Yes		-		
DALI	-		CBS4LEDS-DIF-DALI	CBS4LEDS-LO-DIF-DALI	-		
Zoneworks® XT HIVE	-		CBS4LEDS-DIF-HV	CBS4LEDS-LO-DIF-HV	-		
Carton Quantity	1						
Weight - single (carton)	3.3kg	3.3kg	3.3kg	3.3kg	3.0kg	3.0kg	
Dimensions (L x W x H)	1238mm x 120mm x 108mm		1271mm x 120mm x 108mm		1238mm x 120mm x 108mm		

■ For Motion sensor version add -MS-HL to the product code as per the following example. EBS4LEDS-DIF-MS-HL-LI

TECHNICAL SPECIFICATIONS		TS		LP		240V	
Construction - Base	Powder Coated Steel						
Construction - Diffuser	Acrylic Prismatic						
Voltage (V) (Frequency (Hz))	220-240V (50Hz)						
Power Consumption ♦ (Standby / Max)	0.4W / 39W	0.4W / 19W	0.4W / 39W	0.4W / 19W	39W	19W	
Lamp(s) (CCT / Life) ♦	4000K / 50,000hrs (L70 / B50 Ra>80 Ta40)						
Lamp	LED Strip Module						
Nominal Total Light Output ♦	4500lm	2250lm	4500lm	2250lm	4500lm	2250lm	
Operating Temperature	1°C to 40°C						
Ingress Protection Rating (IP)	IP20						

♦ Please refer to the specific product data sheet for actual power, light output, lamp lifetime and driver values.

EMERGENCY SPECIFICATIONS		TS		LP	
Operating Mode	Sustained				
Battery Configuration	Integral		POD		
Battery Type	Lithium Iron Phosphate				
Voltage / Capacity (mAh)	3.2V / 3000mAh		3.2V / 3200mAh		
Charging Method	Intelligent Current Limited Constant Voltage				

CLASSIFICATION		TS		LP	
C0	D50		D40		
C90	D16		D40		

ODYSSEY DIFFUSED

SPACING TABLE AND MOUNTING HEIGHTS – AS/NZS 2293.1:2018 (MINIMUM LIGHT LEVEL OF 0.2 LUX)

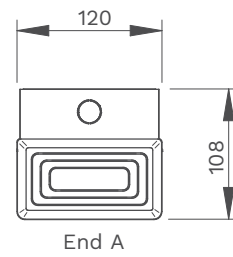
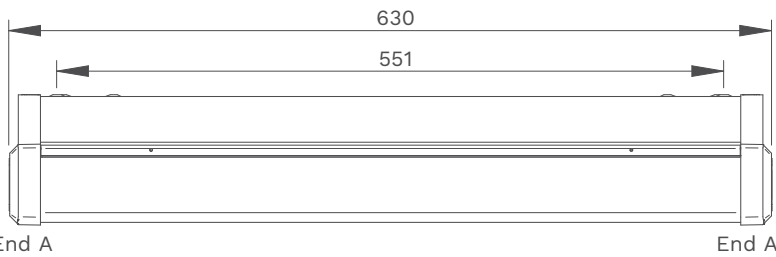
Classification	2.1m	2.4m	2.7m	3.0m	3.3m	3.6m	4.0m	4.5m	5.0m	6.0m	7.0m	8.0m
C50	11.3	12.0	12.7	13.4	14.0	14.5	15.2	16.0	16.7	17.9	18.8	19.6
D16	11.5	12.5	12.9	13.3	13.6	13.8	14.1	14.4	14.5	14.6	14.4	13.8
D40	11.5	13.2	14.8	16.5	18.1	19.5	20.1	20.7	21.2	22.1	22.6	23.0
D50	11.5	13.2	14.8	16.5	18.1	19.8	21.8	22.5	23.1	24.1	24.9	25.4

■ Care should be taken when spacing luminaires at the distances indicated by the shaded regions to ensure conformance to AS/NZS2293.1, Clause 4.3 is maintained. A single emergency luminaire shall not serve an area of greater than 500 m².

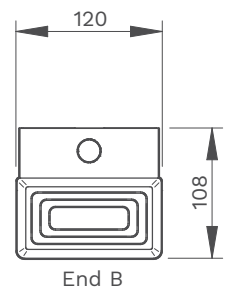
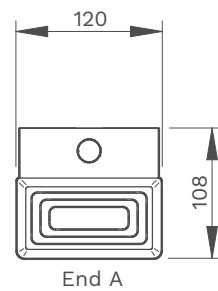
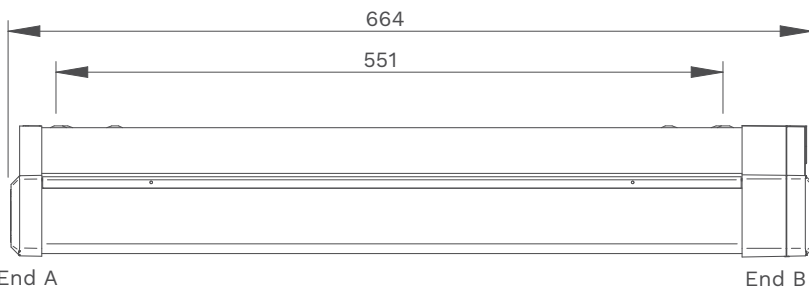
For 1 lux and AS/NZS 2293.1:2005 spacing tables please visit: <https://clevertronics.com.au/spacing-tables/>

*Warranty information located at: <https://clevertronics.com.au/warranty-statement/>

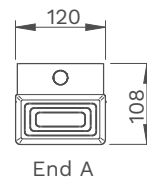
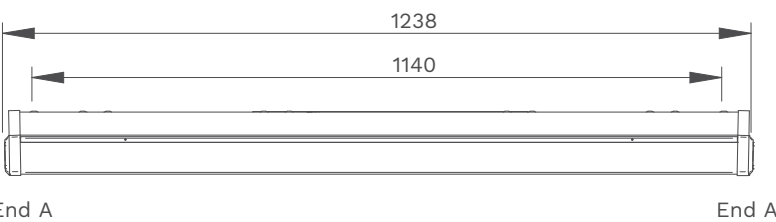
600mm/2ft no pod



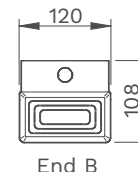
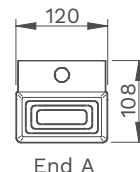
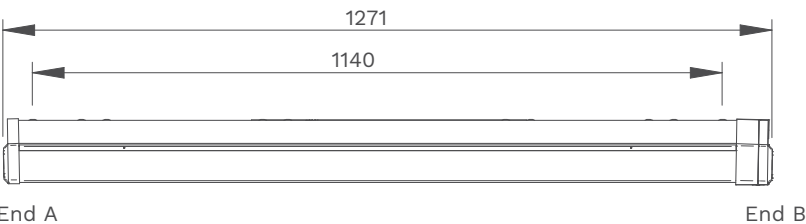
600mm/2ft with pod



1200mm/4ft no pod



1200mm/4ft with pod



ODYSSEY WIREGUARD



Odyssey

Steel Batten Range at the Right Price

The Odyssey Wireguard steel batten range has been designed as an ideal solution for projects or applications where an economy or lower cost batten option is required.

Without compromising on features such as Lithium Iron Phosphate battery technology or emergency testing options including Zoneworks® XT HIVE, DALI or CTP. The Odyssey Wireguard is quality at the right price.

Applications

-  Car Parks
-  Stairwells
-  Fire Stairs
-  Corridors
-  Back of House

TRADE
SERIES
THE TRADE'S CHOICE

LP LITHIUM IRON
PHOSPHATE
PREMIUM
PREMIUM PROJECT PERFORMANCE



Features and Benefits

- AS/NZS 2293.3 compliant
- LED tube
- Lithium Iron Phosphate battery
- Microwave motion sensors
- Zoneworks® XT HIVE or DALI test options (with LP Premium)
- Clevertest Plus System compatible



ODYSSEY WIREGUARD 600MM

ORDERING INFORMATION		TS	LP	240V
Nominal Size		600mm	600mm	600mm
TEST OPTIONS / PART#	Standard	EBS2L2S-WG-LI	CBS2L2S-LT-WG	FBS2L2-LT-WG
	Motion Sensors ■		Yes (On/Off)	
	CTP System Compatible	No	Yes	-
	DALI	-	CBS2L2S-LT-WG-DALI	-
	Zoneworks® XT HIVE	-	CBS2L2S-LT-WG-HV	-
Carton Quantity		1		
Weight - Single (Carton)		2.2kg		1.8kg
Dimensions (L x W x H)		664mm x 120mm x 108mm		630mm x 120mm x 108mm

■ For Motion sensor version add -MS to the product code as per the following example. EBS2L2S-WG-MS-LI

TECHNICAL SPECIFICATIONS	TS	LP	240V
Construction - Base	Powder Coated Steel		
Voltage (V) (Frequency (Hz))	220-240V (50Hz)		
Power Consumption (Standby / Max) ♦	0.4W / 16W	1.0W / 17W	16W
Lamp(s) (CCT / Life) ♦	4000K / 30,000hrs (L70 / B50 Ra>80 Ta40c)		
Lamp	LED Tube		
Nominal Total Light Output ♦	1500lm		
Operating Temperature	1°C to 40°C		

♦ Please refer to the specific product data sheet for actual power, light output, lamp lifetime and driver values.

EMERGENCY SPECIFICATIONS	TS	LP
Operating Mode	Sustained	
Battery Configuration	POD	
Battery Type	Lithium Iron Phosphate	
Voltage / Capacity (mAh)	3.2V / 3000mAh	3.2V / 3200mAh
Charging Method	Intelligent Current Limited Constant Voltage	

CLASSIFICATION	TS	LP
C0	D40	
C90	D40	

ODYSSEY WIREGUARD 1200MM

ORDERING INFORMATION		TS	LP	240V
Nominal Size		1200mm	1200mm	1200mm
TEST OPTIONS / PART #	Standard	EBS2L4S-WG-LI	CBS2L4S-LT-WG	FBS2L4-LT-WG
	Motion Sensors ■	Yes (On/Off)		
	CTP System Compatible	No	Yes	-
	DALI	-	CBS2L4S-LT-WG-DALI	-
	Zoneworks® XT HIVE	-	CBS2L4S-LT-WG-HV	-
Carton Quantity		4		
Weight - Single (Carton)		3.9kg		3.3kg
Dimensions (L x W x H)		1271mm x 120mm x 108mm		1238mm x 120mm x 108mm

■ For Motion sensor version add -MS to the product code as per the following example. EBS2L4S-WG-MS-LI

TECHNICAL SPECIFICATIONS		TS	LP	240V
Construction - Base		Powder Coated Steel		
Voltage (V) (Frequency (Hz))		220-240V (50Hz)		
Power Consumption ♦ (Standby / Max)		0.4W / 40W	1.0W / 40W	40W
Lamp(s) (CCT / Life) ♦		4000K / 30,000hrs (L70 / B50 Ra>80 Ta40c)		
Lamp		LED Tube		
Nominal Total Light Output ♦		3800lm		
Operating Temperature		1°C to 40°C		

♦ Please refer to the specific product data sheet for actual power, light output, lamp lifetime and driver values.

EMERGENCY SPECIFICATIONS		TS	LP
Operating Mode		Sustained	
Battery Configuration		POD	
Battery Type		Lithium Iron Phosphate	
Voltage / Capacity (mAh)		3.2V / 3000mAh	3.2V / 3200mAh
Charging Method		Intelligent Current Limited Constant Voltage	

CLASSIFICATION		TS	LP
C0		D40	
C90		D40	

ODYSSEY WIREGUARD

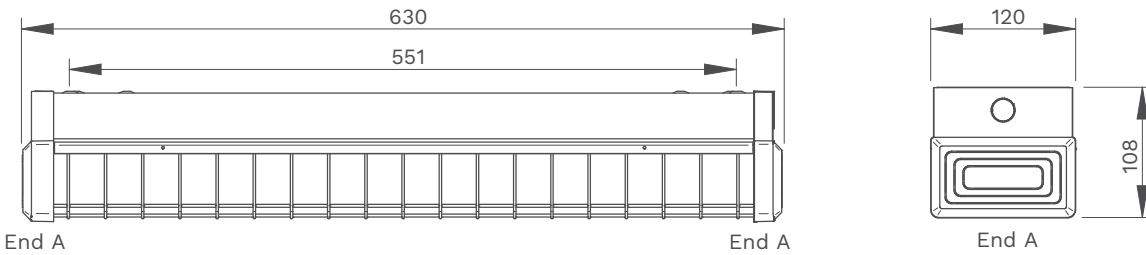
SPACING TABLE AND MOUNTING HEIGHTS – AS/NZS 2293.1:2018 (MINIMUM LIGHT LEVEL OF 0.2 LUX)

Classification	2.1m	2.4m	2.7m	3.0m	3.3m	3.6m	4.0m	4.5m	5.0m	6.0m	7.0m	8.0m
D40	11.5	13.2	14.8	16.5	18.1	19.5	20.1	20.7	21.2	22.1	22.6	23.0

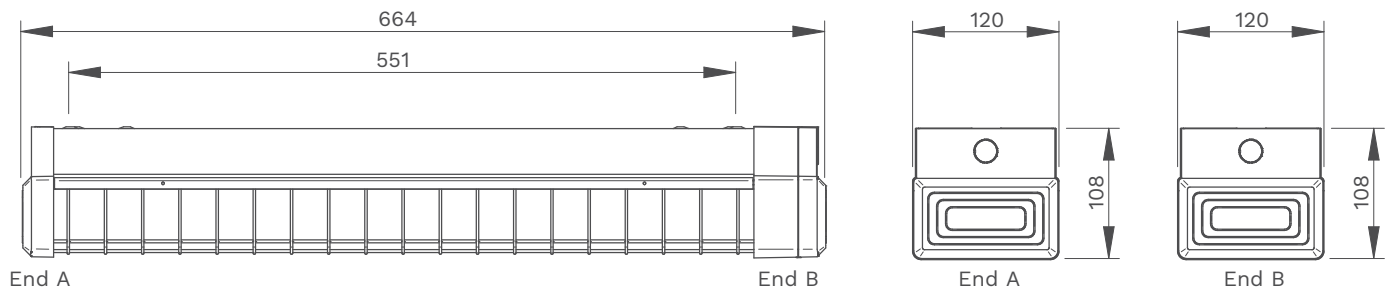
For 1 lux and AS/NZS 2293.1:2005 spacing tables please visit: <https://clevertronics.com.au/spacing-tables/>

*Warranty information located at: <https://clevertronics.com.au/warranty-statement/>

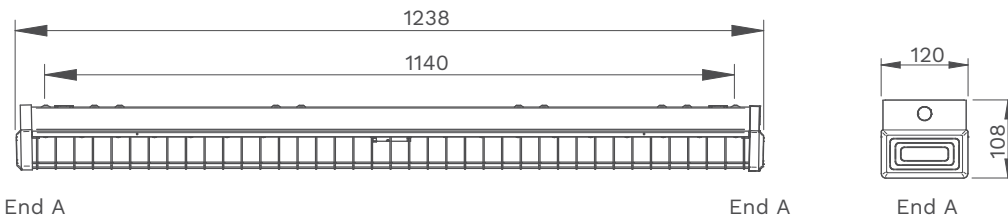
600mm/2ft no pod



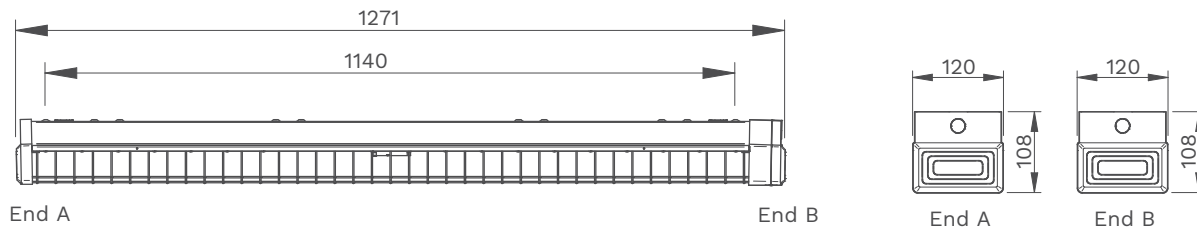
600mm/2ft with pod



1200mm/4ft no pod



1200mm/4ft with pod



BARE EMERGENCY








Steel Batten Range at the Right Price

The Bare Emergency batten range has been designed as an ideal solution for projects or applications where a non-maintained emergency light is required to cover existing paint lines of a traditional batten.

Available in Trade Series, LP or L10 featuring lithium battery technology and CTP, DALI or Zoneworks® XT HIVE testing options.

Applications

-  Office buildings
-  Corridors
-  Galleries
-  Back of House
-  Schools

TRADE
SERIES
THE TRADE'S CHOICE

LP LITHIUM IRON
PHOSPHATE
PREMIUM
PREMIUM PROJECT PERFORMANCE

L10 LITHIUM
NANOPHOSPHATE®
OPTIMUM
NOTHING ELSE COMPETES WITH NANOPHOSPHATE®



Features and Benefits

- AS/NZS 2293.3 compliant
- Lithium Iron Phosphate battery
- Zoneworks® XT HIVE or DALI test options in LP and L10
- Clevertest Plus System compatible



BARE EMERGENCY 600MM

ORDERING INFORMATION		TS	LP	L10
Nominal Size		600mm	600mm	600mm
TEST OPTIONS / PART #	Standard	EBS2N-LI	CBS2N	LBS2N
	Motion Sensors		No	
	CTP System Compatible	No	Yes	
	DALI	-	CBS2N-DALI	LBS2N-DALI
	Zoneworks® XT HIVE	-	CBS2N-HV	LBS2N-HV
Carton Quantity	1			
Weight - Single (Carton)	1.3kg	1.5kg	1.6kg	
Dimensions (L X W x H)	611mm x 111mm x 54mm			

TECHNICAL SPECIFICATIONS		TS	LP	L10
Construction - Base	Powder Coated Steel			
Voltage (V) (Frequency (Hz))	220-240V (50Hz)			
Power Consumption ♦ (Standby / Max)	0.4W / 1.3W	1.0W / 4.2W	1.3W / 3.0W	
Lamp	1 x LED Lifelight (Lifetime Warranty on the Lamp Head and Loom Assembly)			
Operating Temperature	1°C to 40°C			

♦ Please refer to the specific product data sheet for actual power, light output, lamp lifetime and driver values.

EMERGENCY SPECIFICATIONS		TS	LP	L10
Operating Mode	Non-Maintained			
Battery Configuration	Integral			
Battery Type	Lithium Iron Phosphate		Lithium Nanophosphate®	
Voltage / Capacity (mAh)	3.2V / 3000mAh	3.2V / 3200mAh	3.3V / 2500mAh	
Charging Method	Intelligent Current Limited Constant Voltage			

CLASSIFICATION		TS	LP	L10
C0			D40	
C90			D40	

BARE EMERGENCY 1200MM

ORDERING INFORMATION		TS	LP	L10
Nominal Size		1200mm	1200mm	1200mm
TEST OPTIONS / PART#	Standard	EBS4N-LI	CBS4N	LBS4N
	Motion Sensors		No	
	CTP System Compatible	No	Yes	
	DALI	-	CBS4N-DALI	LBS4N-DALI
	Zoneworks® XT HIVE	-	CBS4N-HV	LBS4N-HV
Carton Quantity		1		
Weight - Single (Carton)	2.2kg	2.2kg	2.3kg	
Dimensions (L x W x H)	1219mm x 111mm x 54mm			

TECHNICAL SPECIFICATIONS		TS	LP	L10
Construction - Base		Powder Coated Steel		
Voltage (V) (Frequency (Hz))		220-240V (50Hz)		
Power Consumption ♦ (Standby / Max)	0.4W / 1.3W	0.4W / 2.7W		0.4W / 2.7W
Lamp	1 x LED	2 x LED		
Operating Temperature	1°C to 40°C			

♦ Please refer to the specific product data sheet for actual power, light output, lamp lifetime and driver values.

EMERGENCY SPECIFICATIONS		TS	LP	L10
Operating Mode		Non-Maintained		
Battery Configuration		Integral		
Battery Type		Lithium Iron Phosphate		Lithium Nanophosphate®
Voltage / Capacity (mAh)	3.2V / 3000mAh	3.2V / 3200mAh		3.3V / 2500mAh
Charging Method	Intelligent Current Limited Constant Voltage			

CLASSIFICATION		TS	LP	L10
C0		D40	D80	
C90		D40	D80	

BARE EMERGENCY

SPACING TABLE AND MOUNTING HEIGHTS – AS/NZS 2293.1:2018 (MINIMUM LIGHT LEVEL OF 0.2 LUX)

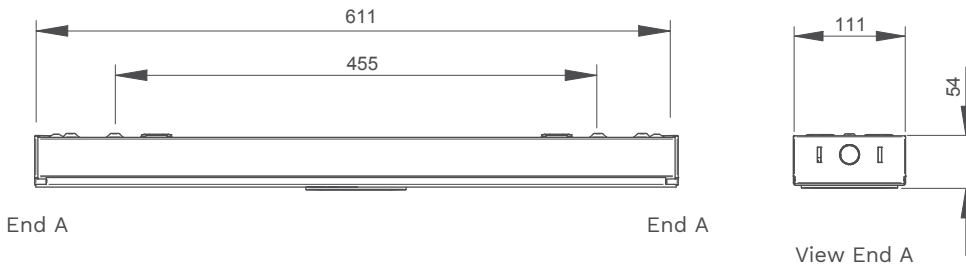
Classification	2.1m	2.4m	2.7m	3.0m	3.3m	3.6m	4.0m	4.5m	5.0m	6.0m	7.0m	8.0m
D40	11.5	13.2	14.8	16.5	18.1	19.5	20.1	20.7	21.2	22.1	22.6	23.0
D80	11.5	13.2	14.8	16.5	18.1	19.8	22.0	24.7	27.5	28.9	30.0	30.9

■ Care should be taken when spacing luminaires at the distances indicated by the shaded regions to ensure conformance to AS/NZS2293.1, Clause 4.3 is maintained. A single emergency luminaire shall not serve an area of greater than 500 m².

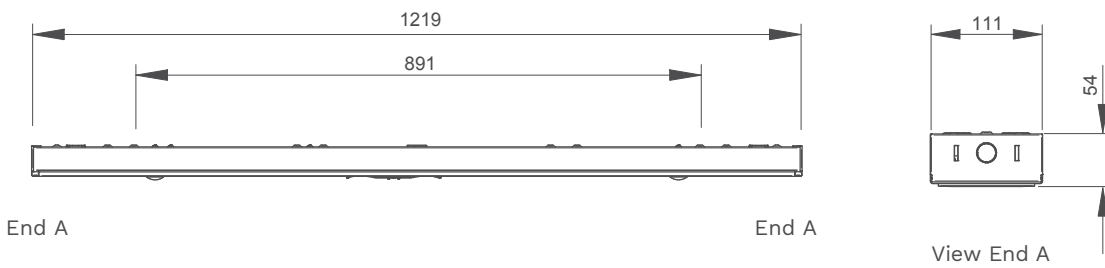
For 1 lux and AS/NZS 2293.1:2005 spacing tables please visit: <https://clevertronics.com.au/spacing-tables/>

*Warranty information located at: <https://clevertronics.com.au/warranty-statement/>

600mm/2ft



1200mm/4ft



BARE EMERGENCY TWIN LIFELIGHT PRO



Steel Batten Range at the Right Price

The Bare Emergency Twin Lifelight Pro range has been designed for application where a high output non-maintained emergency light is required.

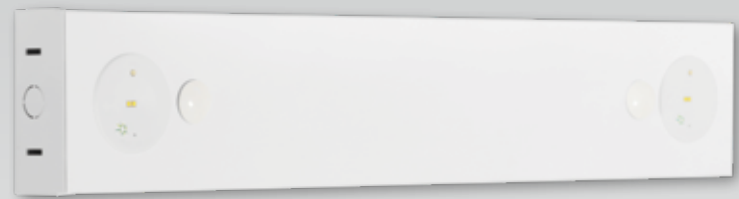
The fitting is the ideal shape to cover paint lines of a traditional batten, and its solid construction makes it suitable for suspending.

Applications

-  Warehouses
-  Sports Halls
-  Factories
-  Exhibition Centres
-  Hangers

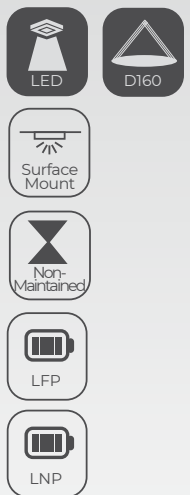
LP LITHIUM IRON
PHOSPHATE
PREMIUM
PREMIUM PROJECT PERFORMANCE

L10 LITHIUM
NANOPHOSPHATE®
OPTIMUM
NOTHING ELSE COMPETES WITH NANOPHOSPHATE®



Features and Benefits

- AS/NZS 2293.3 compliant
- Lithium Iron Phosphate or Nanophosphate® battery
- Zoneworks® XT HIVE or DALI test options in LP Premium and L10
- Clevertest Plus System compatible
- D160 emergency classification
- White as standard with black available upon request (LP & L10 only)



BARE EMERGENCY TWIN LIFELIGHT PRO 600MM

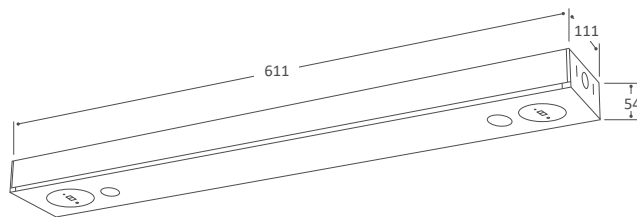
ORDERING INFORMATION	LP	L10
Nominal Size	600mm	600mm
TEST OPTIONS / PART #	Standard	CLIFE-2PRO-SMS-600
	Motion Sensors	No
	CTP System Compatible	Yes
	DALI	CLIFE-2PRO-SMS-DALI-600
	Zoneworks® XT HIVE	CLIFE-2PRO-SMS-HV-600
Carton Quantity	1	
Weight - Single (Carton)	1.5kg	1.6kg
Dimensions (L X W x H)	611mm x 111mm x 54mm	

TECHNICAL SPECIFICATIONS	LP	L10
Construction - Base	Powder Coated Steel	
Voltage (V) (Frequency (Hz))	220-240V (50Hz)	
Power Consumption ♦ (Standby / Max)	0.8W / 5.4W	0.8W / 5.4W
Lamp	Twin LED Lifelight Pro (Lifetime Warranty on the Lamp Head and Loom Assembly)	
Operating Temperature	1°C to 40°C	

♦ Please refer to the specific product data sheet for actual power, light output, lamp lifetime and driver values.

EMERGENCY SPECIFICATIONS	LP	L10
Operating Mode	Non-Maintained	
Battery Configuration	Integral	
Battery Type	Lithium Iron Phosphate	Lithium Nanophosphate®
Voltage / Capacity (mAh)	2 x 3.2V / 6400mAh	2 x 3.3V / 5000mAh
Charging Method	Intelligent Current Limited Constant Voltage	

CLASSIFICATION	LP	L10
C0	D160	
C90	D160	



600mm/2ft Dimensions (mm)

The product details described in this document are current as at the version date of the document. We reserve the right to change product design, specifications or materials (Specifications) as part of our continuous improvement program. Images are indicative only. Please confirm the applicable Specifications at the time of placing your order.

BARE EMERGENCY TWIN LIFELIGHT PRO 1200MM

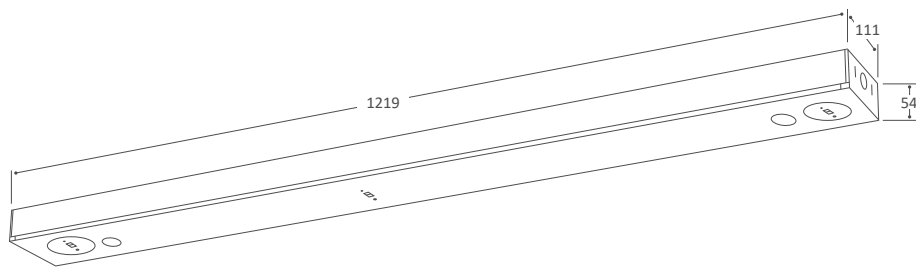
ORDERING INFORMATION	LP	L10
Nominal Size	1200mm	1200mm
Standard	CLI FE-2PRO-SMS-1200	LLIFE-2PRO-SMS-1200
Motion Sensors	No	
CTP System Compatible	Yes	
DALI	CLI FE-2PRO-SMS-DALI-1200	LLIFE-2PRO-SMS-DALI-1200
Zoneworks® XT HIVE	CLIFE-2PRO-SMS-HV-1200	LLIFE-2PRO-SMS-HV-1200
Carton Quantity	1	
Weight - Single (Carton)	2.2kg	2.3kg
Dimensions (L X W x H)	1219mm x 111mm x 54mm	

TECHNICAL SPECIFICATIONS	LP	L10
Construction - Base	Powder Coated Steel	
Voltage (V) (Frequency (Hz))	220-240V (50Hz)	
Power Consumption ♦ (Standby / Max)	0.8W / 5.4W	0.8W / 5.4W
Lamp	Twin LED Lifelight Pro (Lifetime Warranty on the Lamp Head and Loom Assembly)	
Operating Temperature	1°C to 40°C	

♦ Please refer to the specific product data sheet for actual power, light output, lamp lifetime and driver values.

EMERGENCY SPECIFICATIONS	LP	L10
Operating Mode	Non-Maintained	
Battery Configuration	Integral	
Battery Type	Lithium Iron Phosphate	Lithium Nanophosphate®
Voltage / Capacity (mAh)	2 x 3.2V / 6400mAh	2 x 3.3V / 5000mAh
Charging Method	Intelligent Current Limited Constant Voltage	

CLASSIFICATION	LP	L10
C0	D160	
C90	D160	



BARE EMERGENCY TWIN LIFELIGHT PRO

SPACING TABLE AND MOUNTING HEIGHTS – AS/NZS 2293.1:2018 (MINIMUM LIGHT LEVEL OF 0.2 LUX)

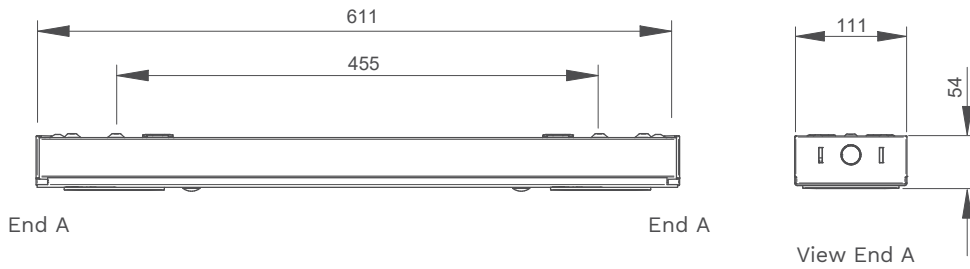
Classification	2.1m	2.4m	2.7m	3.0m	3.3m	3.6m	4.0m	4.5m	5.0m	6.0m	7.0m	8.0m	9.0m	10.0m
D160	11.5	13.2	14.8	16.5	18.1	19.8	22.0	24.7	27.5	33.0	38.5	40.2	41.4	42.5

■ Care should be taken when spacing luminaires at the distances indicated by the shaded regions to ensure conformance to AS/NZS2293.1, Clause 4.3 is maintained. A single emergency luminaire shall not serve an area of greater than 500 m².

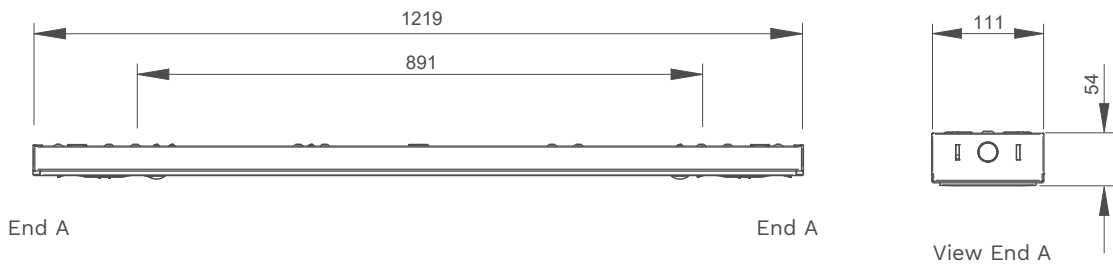
For 1 lux and AS/NZS 2293.1:2005 spacing tables please visit: <https://clevertronics.com.au/spacing-tables/>

*Warranty information located at: <https://clevertronics.com.au/warranty-statement/>

600mm/2ft



1200mm/4ft



Dimensions (mm)



The product details described in this document are current as at the version date of the document. We reserve the right to change product design, specifications or materials (Specifications) as part of our continuous improvement program. Images are indicative only. Please confirm the applicable Specifications at the time of placing your order.



TEMPORARY

TEMPORARY EXITS & BATTENS

24V Temporary Exit

188

24V Temporary Weatherproof Batten

190

24V Temporary Lighting Range



Overview

The purpose of a 24V temporary lighting system is to provide the contractor a safe and flexible solution when installing and moving temporary lighting systems on construction sites to meet the requirements outlined in AS/NZS 3012. Egress routes and work areas often change on construction sites and therefore the lighting systems must move with the ever-changing site.

Why use 24V?

By using a SELV 24V lighting system, the mechanical protection and containment requirements are significantly easier to achieve, resulting in faster installations, removal and relocation – this saves a lot of time, money and improves site safety.

Cabling System

The Clevertronics 24V temporary lighting system provides a flexible and scalable solution for general and emergency lighting on site. This is ideal for the ever changing environment at a construction site to save time and significantly reduce labour cost.

All Clevertronics 24V temporary luminaires come with single or end-to-end pre-wired connectors. The keyed connectors ensure correct polarity during installation, eliminating wiring errors.

Switched control of General Lighting

3-core (switched +DC, permanent +DC and -VE) cabling arrangement allowing for the on/off switching of the general lighting function of the battens whilst maintaining a permanent supply to the emergency battery chargers. This feature provides energy savings and increased lifetime of the weatherproof battens, by switching the battens off when not required, without discharging the emergency batteries. This capability also assists with meeting light pollution mitigation requirements on certain projects

Features

Simple installation



All products are fitted with flex & plug for simple plug & play approach with the option of surface or suspension mounting.

Reliable



The LED's fitted into the emergency luminaires are suited to environments where vibration is present. This will limit premature failure of the lamps.

24V Cabling System – Plug & Play

- Provides scalable and flexible installation
- Switched control of general 24V lighting possible while maintaining supply to keep emergency batteries charged & ready
- Enables easy connecting for general and emergency luminaires
- 3-way and 4-way “splitter connector” connection allows for multiple connections
- 4m, 6m and 8m, 3 core interconnecting cable available
- Optional T-Lock accessory for tamper proof connection



24V Emergency Luminaires

Temporary Weatherproof Batten Range

- Lithium Iron Phosphate batteries
- Chain suspension or surface mounting options
- Switchable control of the general lighting possible whilst maintaining continuous permanent charge of the batteries
- Available in 600mm or 1200mm
- Available with flex & plug from both ends for end-to-end cabling
- AS/NZS 2293.3 compliant with 1 hour emergency duration in accordance with AS/NZS3012

Weatherproof Single and Dual Output 24V DC Power Supply

- Supplied with 2 short length flex and plug outputs for connection to the temporary lighting cabling system
- 24V DC output switch that allows supply to be switched off whilst still maintaining permanent supply to continuously charge battery

24V Exit Signs

Temporary Exit Range

- Lithium Iron Phosphate batteries
- Chain suspension or surface mounting options
- Weatherproof options available
- All directional decals in one box
- Comes with 24V flex & plug for simple plug & play
- AS/NZS 2293.3 compliant with 1 hour emergency duration in accordance with AS/NZS3012



Safe

All products using 24V Temporary lighting saves time and improves site safety.

Value add

All products are ready to go so compliance can be achieved with minimal fuss and no added cost.

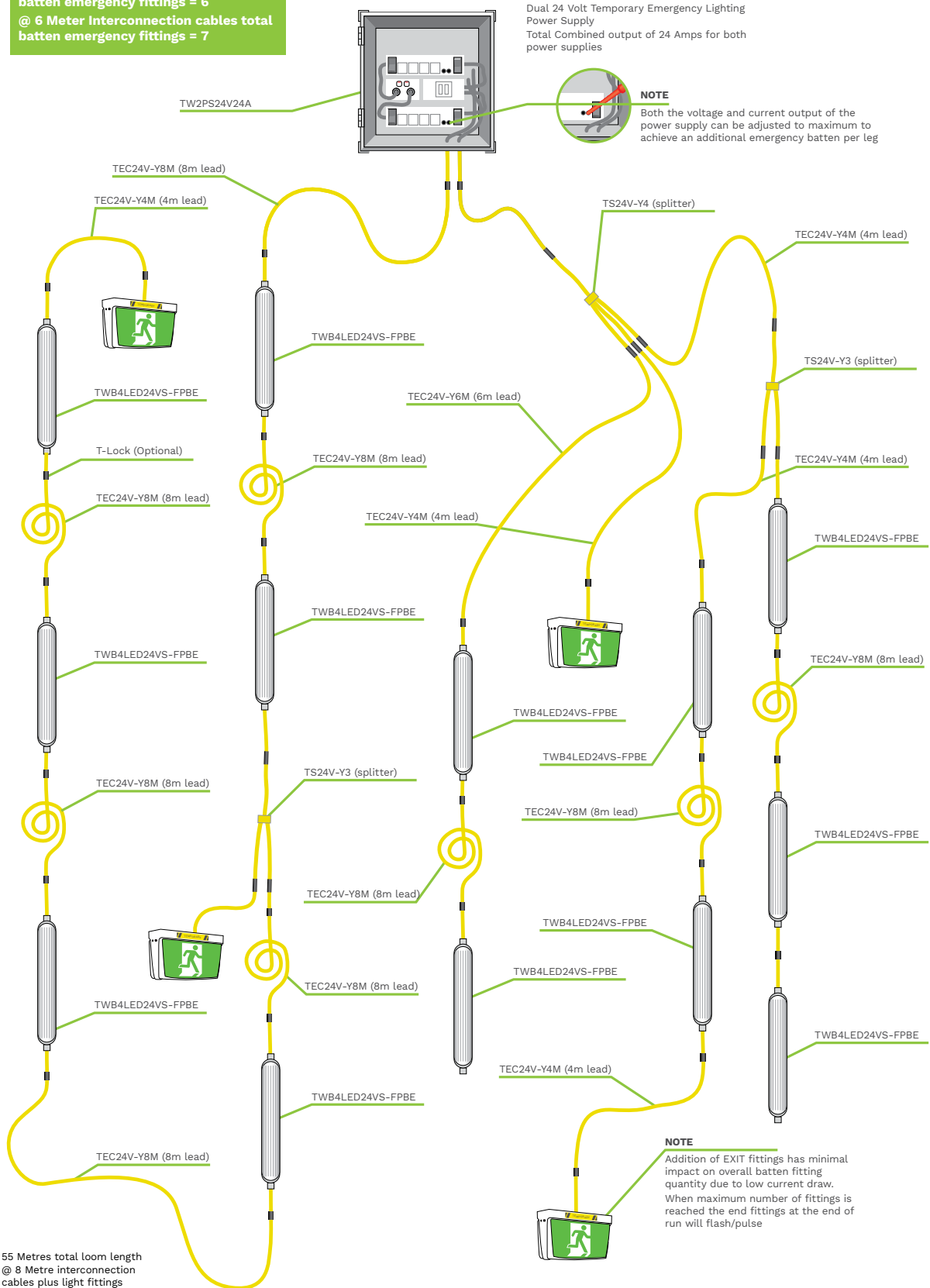
24V TEMPORARY COMPONENTS

24V Example layout

Maximum number of batten fittings per leg determined by overall voltage drop
 @ 8 Meter Interconnection cables total batten emergency fittings = 6
 @ 6 Meter Interconnection cables total batten emergency fittings = 7

Dual 24 Volt Temporary Emergency Lighting Power Supply
 Total Combined output of 24 Amps for both power supplies

NOTE
 Both the voltage and current output of the power supply can be adjusted to maximum to achieve an additional emergency batten per leg



24V TEMPORARY COMPONENTS

Design methods for demonstrating emergency lighting compliance

There are three design methods for demonstrating emergency lighting compliance under AS/NZS3012 "Electrical installations on construction sites and demolition sites."

Emergency lighting shall be provided in stairways, passageways and adjacent to switchboards, on all demolition and construction sites where the general lighting cannot be met using natural lighting. Such lighting shall allow safe access to and egress from the site and shall provide the lighting levels specified in Items (a), (b) or (c) below.

Emergency lighting shall, in the required areas

- (a) provide an average of 20 lux at 900 mm above floor level along the centre-line of the corridor containing the emergency luminaires; or

- (b) be installed using luminaires complying with the luminaire classification, mounting height and spacing, as specified in AS/NZS3012 Tables 2, 3, 4 and 5.
- (c) be installed based on calculations of illuminance complying with Clause 4.6.1 of AS/NZS 2293.1—2018 and using a minimum horizontal illuminance of 3 lux. The emergency lighting level shall be provided for a minimum of one hour following loss of normal lighting in the area.

Note: Both (a) and (c) methods require lux plot calculations using specialised software by a qualified lighting designer.

Example (a): Installing the TWB4LED24VS-FPBE battens 8m apart end to end at a height of 3m will deliver 20lx @ 900mm AFL in a line directly below the luminaires for 1 hour during a power failure. (With fully charged batteries).

SPACING TABLE AND MOUNTING HEIGHTS – AS/NZS 3012 (MINIMUM LIGHT LEVEL OF 3 LUX)

Classification	2.1m	2.4m	2.7m	3.0m	3.3m	3.6m	4.0m	4.5m	5.0m	6.0m	7.0m	8.0m
D50	6.5	6.6	6.6	6.6	6.5	6.3	5.9	0.0	0.0	0.0	0.0	0.0
D80	7.9	8.1	8.3	8.4	8.4	8.4	8.3	8.0	7.6	0.0	0.0	0.0

For 1 lux and AS/NZS 2293.1:2018 spacing tables please visit: <https://clevertronics.com.au/spacing-tables/>

24V COMPONENTS

SYSTEM COMPONENTS	PART NUMBER
4M Extension cable	TEC24V-4YM
6M Extension cable	TEC24V-Y6M
8M Extension cable	TEC24V-Y8M
1M Temp. Female Plugged Loom	TFP24V-Y1M
Splitter Connector – 3 Way	TS24V-Y3
Splitter Connector – 4 Way	TS24V-Y4
24V DC Power Supply 20A. WP with Hinged, Lockable Front Cover	TWPS24V20A
T-Lock	Connector locking device to prevent unauthorised disconnection of emergency lighting cables as per the requirement of as per AS/NZS2293 - 2019 - 2.7.3.1

REPLACEMENT PARTS

1196701	Power Supply, Mean Well HLG-320H-24A (2)
---------	--

24V DC TEMPORARY POWER SUPPLY

PRODUCT INFORMATION	
Part Number	TW2PS24V24A
Description	Temporary weatherproof 24V DC power supply, 20A IP65. Supplied with a short length flex and plug (output) for connection to the temporary lighting cabling system
Construction	Metal enclosure
Mounting	Surface mount
Dimensions L x W x H	400mm x 400mm x 200mm
Weight	14.5kg
Charging Method	Intelligent current limited constant voltage
Operating Voltage	240V AC; 50Hz
Rated Output Voltage	24V DC (SELV)
Rated Output Current	24A (Combined, nominal output of the two power supplies). Absolute maximum rated current for each power supply at 24V is 13.34A)
IP Rating	IP66
Operating Temperature	0°C to 40°C

24V TEMPORARY EXIT



Designed for Temporary Exit Applications

The 24V Temporary Exit has been designed to assist those responsible for ensuring compliance to AS/NZS 3012 – “Electrical installations on construction sites and demolition sites.”

Installation is easy with a flex & plug. Chain suspension hooks are fitted to the IP20 (indoor) version as standard.

The tamper resistant cover make the 24V Temporary Exit the easiest choice for all construction sites.

Applications



Construction Sites

Features and Benefits

- AS/NZS 2293.3 compliant with 1 hour emergency duration in accordance with AS/NZS3012
- Low 1.5W standby power consumption
- Wall, ceiling and chain mount options
- All directional decals in one box
- Hooks for chain mounting
- 24V SELV plug & play connection



24V TEMPORARY EXIT

ORDERING INFORMATION	INDOOR ①	OUTDOOR ②
Part Number	TCFLED24V	TWELED24V
Carton Quantity	1	1
Weight - Single (Carton)	1.2kg	2.8kg
Dimensions (L x W x H)	355mm x 80mm x 215mm	410mm x 272mm x 100mm
Directional Options	All Directional Inserts Included	All Directional Inserts Included

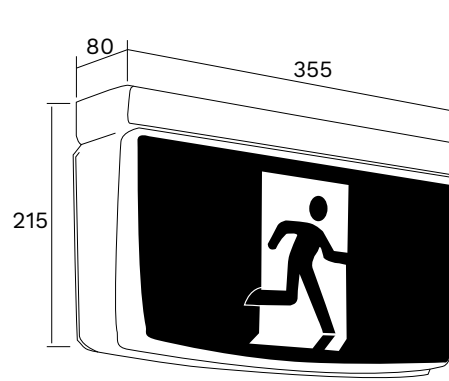
POWER, LAMPS AND BATTERY	INDOOR	OUTDOOR
Power Consumption (Standby / Max)	1.1W (Standby)	
Lamp(s)	50,000 Hours	
Battery	Lithium Iron Phosphate	
Voltage (V) / Capacity (mAh)	3.2V / 3000mAh	
Charging Method	Intelligent Current Limited Constant Voltage	

TECHNICAL SPECIFICATIONS	INDOOR		OUTDOOR	
	INDOOR	OUTDOOR	INDOOR	OUTDOOR
Operating Mode	Maintained			
Voltage (V) Frequency (Hz)	19-28VDC	19-28VDC		
Construction - Body/Diffuser	PC-ABS / PC	Cleverfit Inside Glass Reinforced Nylon Base & PC Cover		
Viewing Distance	24m			
Mounting Type	Suspended or Wall Mount	Wall & Ceiling (Single & Double Sided)		
Operating Temperature	1°C to 40°C	0°C to 40°C		
Ingress Protection Rating (IP)	IP20	IP66/67, IK10		

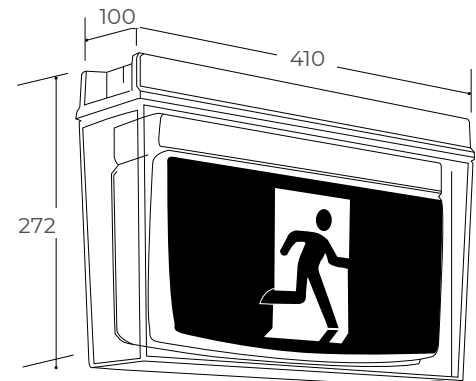
*Warranty information located at: <https://clevertronics.com.au/warranty-statement/>

Product Configuration:

- ① Indoor
- ② Outdoor



1



2

Dimensions (mm)

TEMPORARY WEATHERPROOF BATTEN



Construction site batten with low ownership costs

This 240V temporary emergency lighting range has been designed to assist those responsible for ensuring compliance to AS/NZS 3012 - "Electrical installation on construction sites and demolition sites."

Applications



Construction sites



Features and Benefits

- AS/NZS 2293.3 compliant
- Fluorescent lamp
- IP65 rated



Surface Mount



Maintained



IP65



IK06

TEMPORARY WEATHERPROOF 1200MM BATTEN

ORDERING INFORMATION		EMERGENCY	240V
Nominal Size		1200mm	1200mm
PART NUMBER	Standard (Flat earth pin)	TWB236M-P	TWB236-P
	Standard (Round earth pin)	TWB236M-P-RPE	TWB236-P-RPE
	Standard (4 Pin round earth)	TWB236M-P-4CFP	TWB236-P-4CFP
Carton Quantity	1		
Weight - single (carton)	3.1kg		2.4kg
Dimensions (L x W x H)	1275mm x 115mm x 85mm		

TECHNICAL SPECIFICATIONS	EMERGENCY	240V
Construction - Base	UV Stabilised Polycarbonate	
Construction - Diffuser	UV Stabilised Polycarbonate	
Voltage (V) (Frequency (Hz))	220-240V (50Hz)	
Power Consumption (Standby / Max)	4.9W / 75W	71W
Lamp	36W T8 Cool White Tri-Phosphorous	
Lamp CCT	4000K	
Operating Temperature	0°C to 40°C	
Ingress Protection Rating (IP)	IP65	
IK Rating	IK06	

EMERGENCY SPECIFICATIONS	EMERGENCY	240V
Operating Mode	Maintained	-
Battery configuration	Integral	-
Battery type	Nickel Cadmium	-
Voltage / Capacity (mAh)	8.4V / 1300mAh	-
Charging Method	Dual rate charge	-

CLASSIFICATION	EMERGENCY	240V
C0	D63	-
C90	C63	-
C180	D40	-

SPARE PARTS	EMERGENCY	240V
Battery	1510190	-

The product details described in this document are current as at the version date of the document. We reserve the right to change product design, specifications or materials (Specifications) as part of our continuous improvement program. Images are indicative only. Please confirm the applicable Specifications at the time of placing your order.

TEMPORARY WEATHERPROOF BATTEN

Design methods for demonstrating emergency lighting compliance

There are three design methods for demonstrating emergency lighting compliance under AS/NZ3012 "Electrical installations on construction sites and demolition sites." Emergency lighting shall be provided in stairways, passageways and adjacent to switchboards, on all demolition and construction sites where the general lighting cannot be met using natural lighting. Such lighting shall allow safe access to and egress from the site and shall provide the lighting levels specified in Items (a), (b) or (c) below.

Emergency lighting shall, in the required areas

- (a) provide an average of 20 lux at 900 mm above floor level along the centre-line of the corridor containing the emergency luminaires; or

- (b) be installed using luminaires complying with the luminaire classification, mounting height and spacing, as specified in AS/NZS3012 Tables 2, 3, 4 and 5.
 (c) be installed based on calculations of illuminance complying with Clause 4.6.1 of AS/NZS 2293.1—2018 and using a minimum horizontal illuminance of 3 lux. The emergency lighting level shall be provided for a minimum of one hour following loss of normal lighting in the area.

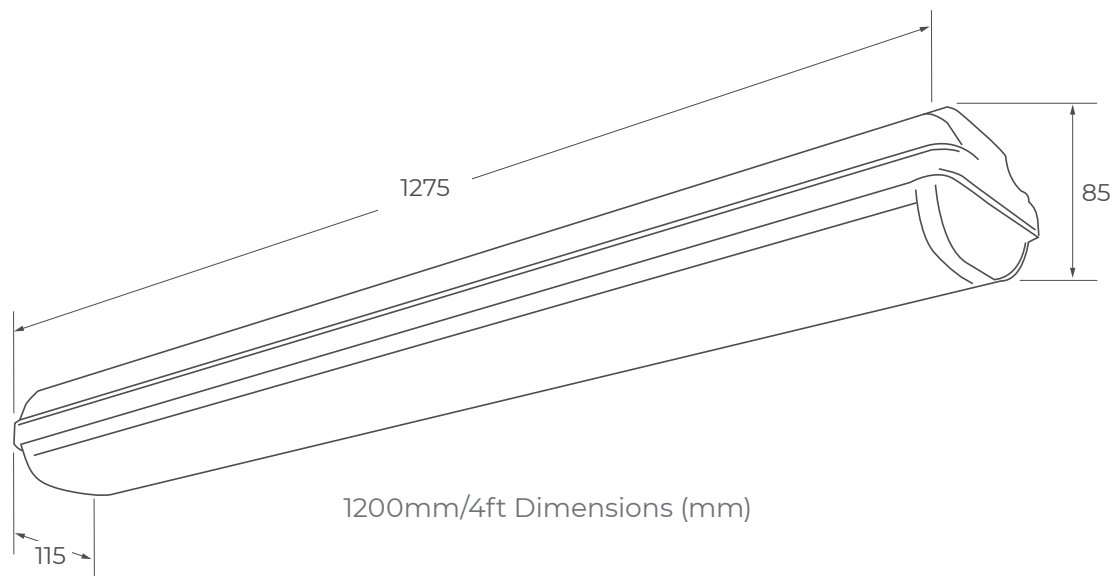
Note: Both (a) and (c) methods require lux plot calculations using specialised software by a qualified lighting designer.

SPACING TABLE AND MOUNTING HEIGHTS – AS/NZS 3012 (MINIMUM LIGHT LEVEL OF 3 LUX)

Classification	2.1m	2.4m	2.7m	3.0m	3.3m	3.6m	4.0m	4.5m	5.0m	6.0m	7.0m	8.0m
C63	5.5	5.7	5.8	5.9	5.9	5.9	5.8	5.5	0.0	0.0	0.0	0.0
D40	5.9	5.9	5.9	5.7	5.5	5.3	0.0	0.0	0.0	0.0	0.0	0.0
D63	7.2	7.3	7.4	7.4	7.4	7.3	7.1	6.6	0.0	0.0	0.0	0.0

For 1 lux and AS/NZS 2293.1:2018 spacing tables please visit: <https://clevertronics.com.au/spacing-tables/>

*Warranty information located at: <https://clevertronics.com.au/warranty-statement/>



clevertronics.co.nz
clevertronics.com.au

1 Caribbean Drive, Scoresby VIC 3179
 P +61 3 9559 2700 F +61 3 9559 2799 E info@clevertronics.com.au

Clevertronics is committed to continuously improving its products.
 All features and specifications are subject to change without prior notice.

PRODUCT SHEETS – ANZ 240V Temporary Batten 04OCT22



TEMPORARY WEATHERPROOF BATTEN

Design methods for demonstrating emergency lighting compliance

There are three design methods for demonstrating emergency lighting compliance under AS/NZ3012 "Electrical installations on construction sites and demolition sites."

Emergency lighting shall be provided in stairways, passageways and adjacent to switchboards, on all demolition and construction sites where the general lighting cannot be met using natural lighting. Such lighting shall allow safe access to and egress from the site and shall provide the lighting levels specified in Items (a), (b) or (c) below.

Emergency lighting shall, in the required areas

- (a) provide an average of 20 lux at 900 mm above floor level along the centre-line of the corridor containing the emergency luminaires; or

- (b) be installed using luminaires complying with the luminaire classification, mounting height and spacing, as specified in AS/NZS3012 Tables 2, 3, 4 and 5.

- (c) be installed based on calculations of illuminance complying with Clause 4.6.1 of AS/NZS 2293.1—2018 and using a minimum horizontal illuminance of 3 lux. The emergency lighting level shall be provided for a minimum of one hour following loss of normal lighting in the area.

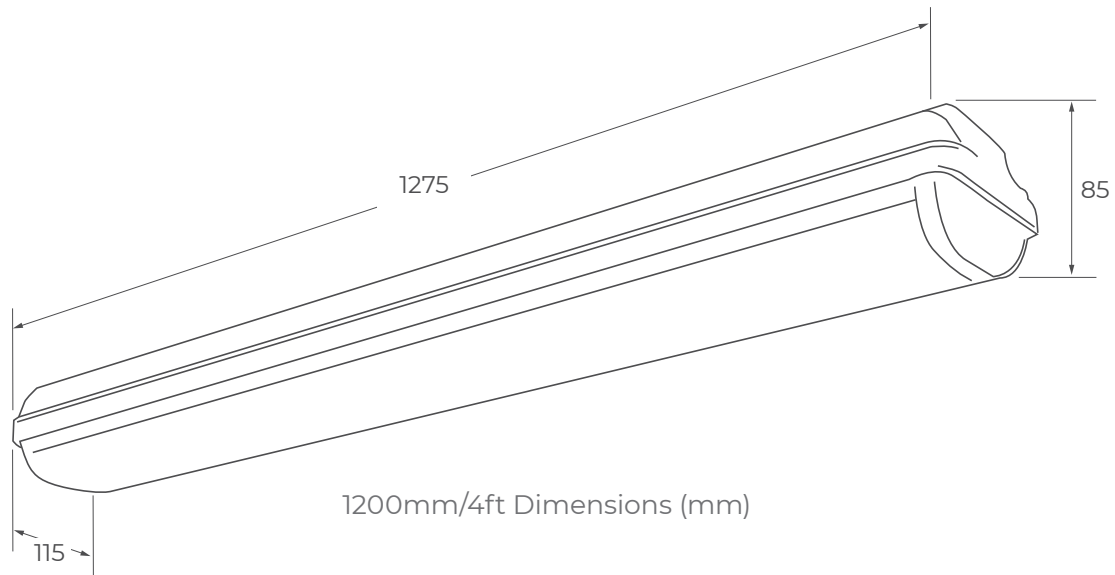
Note: Both (a) and (c) methods require lux plot calculations using specialised software by a qualified lighting designer.

SPACING TABLE AND MOUNTING HEIGHTS – AS/NZS 3012 (MINIMUM LIGHT LEVEL OF 3 LUX)

Classification	2.1m	2.4m	2.7m	3.0m	3.3m	3.6m	4.0m	4.5m	5.0m	6.0m	7.0m	8.0m
C63	5.5	5.7	5.8	5.9	5.9	5.9	5.8	5.5	0.0	0.0	0.0	0.0
D40	5.9	5.9	5.9	5.7	5.5	5.3	0.0	0.0	0.0	0.0	0.0	0.0
D63	7.2	7.3	7.4	7.4	7.4	7.3	7.1	6.6	0.0	0.0	0.0	0.0

For 1 lux and AS/NZS 2293.1:2018 spacing tables please visit: <https://clevertronics.com.au/spacing-tables/>

*Warranty information located at: <https://clevertronics.com.au/warranty-statement/>



SPACING TABLES

0.2 LX SPACING TABLES

Exit	191
Emergency	193
Batten	196

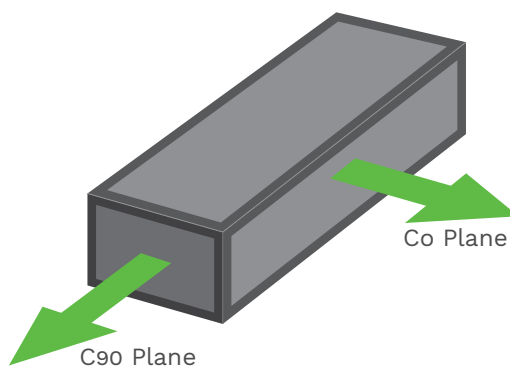
1 LX SPACING TABLES

Exit	199
Emergency	202
Batten	205

This spacing table data is for general information and should be read in conjunction with the Emergency Lighting Standard AS/NZS2293.1.

The spacings shown in these tables are for use in applications requiring either 0.2 lux or 1.0 lux (minimum) horizontal illumination. Any design for an emergency lighting system should be undertaken by a qualified person in accordance with the NCC (or in New Zealand the New Zealand Building Code F6 and F8) and AS/NZS2293.1.

Contact Clevertronics for further information and design support.



EXIT LUMINAIRES

MAXIMUM SPACING AND MOUNTING HEIGHTS (BASED ON 0.2 LX)

0.2 lx

CLEVERFIT EXIT			2.1M	2.4M	2.7M	3M	3.3M	3.6M	4M	4.5M	5M
AS/NZS Standard	Orientation	Classification									
AS/NZS 2293.1:2005	C0	D6.3	8.6	8.8	9.0	9.1	9.2	9.2	9.2	9.0	8.7
	C0	E2.5	5.6	5.8	5.8	6.0	5.8	5.8	5.2	5.2	4.6
	C90	D5	7.8	8.0	8.1	8.2	8.2	8.2	8.0	7.7	7.3
	C90	E2	5.2	5.2	5.4	5.2	5.0	4.6	4.8	4.0	-
AS/NZS 2293.1:2018	C0	D6.3	8.5	8.8	8.9	9.1	9.1	9.2	9.1	9.0	8.7
	C0	E2.5	5.4	5.6	5.8	5.8	5.8	0.0	0.0	0.0	0.0
	C90	D5	7.8	8.0	8.1	8.2	8.2	8.1	8.0	7.7	7.2
	C90	E2	5.0	5.2	5.2	5.2	0.0	0.0	0.0	0.0	N/A

CLEVERFIT PRO			2.1M	2.4M	2.7M	3M	3.3M	3.6M	4M	4.5M	5M
AS/NZS Standard	Orientation	Classification									
AS/NZS 2293.1:2005	C0	D3.2	6.5	6.6	6.6	6.5	6.4	6.2	5.8	5.1	4.1
	C90	B16	6.4	6.8	7.2	7.6	7.9	8.2	8.6	9.0	9.3
AS/NZS 2293.1:2018	C0	D3.2	6.5	6.5	6.5	6.5	6.3	6.1	5.8	0.0	0.0
	C90	B16	6.4	6.8	7.2	7.6	7.9	8.2	8.6	9.0	9.3

ULTRABLADE PRO SURFACE MOUNT EXIT & RECESSED EXIT			2.1M	2.4M	2.7M	3M	3.3M	3.6M	4M	4.5M	5M
AS/NZS Standard	Orientation	Classification									
AS/NZS 2293.1:2005	C0	E6.3	7.0	7.6	8.0	8.4	8.6	8.8	9.2	9.4	9.4
	C90	E5	6.6	7.2	7.4	7.8	8.0	8.2	8.4	8.4	8.2
AS/NZS 2293.1:2018	C0	E6.3	6.9	7.4	7.9	8.2	8.5	8.8	9.1	9.2	9.3
	C90	E5	6.6	7.0	7.4	7.7	7.9	8.1	8.2	8.2	8.0

ULTRABLADE PRO SURFACE MOUNT EXIT - VERTICAL DECAL			2.1M	2.4M	2.7M	3M	3.3M	3.6M	4M	4.5M	5M
AS/NZS STANDARD	Orientation	Classification									
AS/NZS 2293.1:2005	C0	E1	3.8	3.6	3.2	3.6	N/A	N/A	N/A	N/A	N/A
	C90	B1	2.4	2.2	1.8	1.1	N/A	N/A	N/A	N/A	N/A
AS/NZS 2293.1:2018	C0	E1	3.7	0.0	0.0	0.0	N/A	N/A	N/A	N/A	N/A
	C90	B1	2.4	0.0	0.0	0.0	N/A	N/A	N/A	N/A	N/A

ULTRABLADE PRO RECESSED MOUNT EXIT - VERTICAL DECAL			2.1M	2.4M	2.7M	3M	3.3M	3.6M	4M	4.5M	5M
AS/NZS STANDARD	Orientation	Classification									
AS/NZS 2293.1:2005	C0	E1.25	4.2	4.2	4.0	3.6	4.0	3.0	N/A	N/A	N/A
	C90	B1.25	2.7	2.6	2.4	2.0	1.4	N/A	N/A	N/A	N/A
AS/NZS 2293.1:2018	C0	E1.25	4.1	4.1	0.0	0.0	0.0	0.0	N/A	N/A	N/A
	C90	B1.25	2.7	2.6	0.0	0.0	0.0	N/A	N/A	N/A	N/A

BOXLITE EXIT CEILING MOUNT			2.1M	2.4M	2.7M	3M	3.3M	3.6M	4M	4.5M	5M
AS/NZS Standard	Orientation	Classification									
AS/NZS 2293.1:2005	C0	D3.2	6.5	6.6	6.6	6.5	6.4	6.2	5.8	5.1	4.1
	C90	D3.2	6.5	6.6	6.6	6.5	6.4	6.2	5.8	5.1	4.1
AS/NZS 2293.1:2018	C0	D3.2	6.5	6.5	6.5	6.5	6.3	6.1	5.8	0.0	0.0
	C90	D3.2	6.5	6.5	6.5	6.5	6.3	6.1	5.8	0.0	0.0

BOXLITE EXIT WALL MOUNT			2.1M	2.4M	2.7M	3M	3.3M	3.6M	4M	4.5M	5M
AS/NZS Standard	Orientation	Classification									
AS/NZS 2293.1:2005	C0	E2	5.2	5.2	5.4	5.2	5.0	4.6	4.8	4.0	-
	C90	E2	5.2	5.2	5.4	5.2	5.0	4.6	4.8	4.0	-
AS/NZS 2293.1:2018	C0	E2	5.0	5.2	5.2	5.2	0.0	0.0	0.0	0.0	N/A
	C90	E2	5.0	5.2	5.2	5.2	0.0	0.0	0.0	0.0	N/A

EXIT LUMINAIRES

MAXIMUM SPACING AND MOUNTING HEIGHTS (BASED ON 0.2 LX)

0.2 lx

JUMBO LED EXIT

AS/NZS Standard	Orientation	Classification	2.1M	2.4M	2.7M	3M	3.3M	3.6M	4M	4.5M	5M
AS/NZS 2293.1:2005	C0	D6.3	8.6	8.8	9.0	9.1	9.2	9.2	9.2	9.0	8.7
	C90	E3.2	6.0	6.2	6.4	6.6	6.6	6.6	6.6	5.8	5.8
AS/NZS 2293.1:2018	C0	D6.3	8.5	8.8	8.9	9.1	9.1	9.2	9.1	9.0	8.7
	C90	E3.2	5.8	6.1	6.4	6.5	6.6	6.6	6.4	0.0	0.0

GIGANTOR LED EXIT

AS/NZS Standard	Orientation	Classification	2.1M	2.4M	2.7M	3M	3.3M	3.6M	4M	4.5M	5M
AS/NZS 2293.1:2005	C0	D80	21.1	22.0	22.8	23.6	24.3	25.0	25.8	26.7	27.5
	C90	D80	21.1	22.0	22.8	23.6	24.3	25.0	25.8	26.7	27.5
AS/NZS 2293.1:2018	C0	D80	11.5	13.2	14.8	16.5	18.1	19.8	22.0	24.7	27.5
	C90	D80	11.5	13.2	14.8	16.5	18.1	19.8	22.0	24.7	27.5

WEATHERPROOF UNIVERSAL EXIT

AS/NZS Standard	Orientation	Classification	2.1M	2.4M	2.7M	3M	3.3M	3.6M	4M	4.5M	5M
AS/NZS 2293.1:2005	C0	E2	5.2	5.2	5.4	5.2	5.0	4.6	4.8	4.0	-
	C90	E1.6	4.8	4.8	4.8	4.4	4.0	4.2	3.8	-	-
AS/NZS 2293.1:2018	C0	E2	5.0	5.2	5.2	5.2	0.0	0.0	0.0	0.0	N/A
	C90	E1.6	4.6	4.7	4.6	0.0	0.0	0.0	0.0	N/A	N/A

WEATHERPROOF WALL MOUNT EXIT 24M (EL)

AS/NZS Standard	Orientation	Classification	2.1M	2.4M	2.7M	3M	3.3M	3.6M	4M	4.5M	5M
AS/NZS 2293.1:2005	C0	E1.25	4.2	4.2	4.0	3.6	4.0	3.0	-	-	-
	C90	E1	3.8	3.6	3.2	3.6	-	-	-	-	-
AS/NZS 2293.1:2018	C0	E1.25	4.1	4.1	0.0	0.0	0.0	0.0	N/A	N/A	N/A
	C90	E1	3.7	0.0	0.0	0.0	N/A	N/A	N/A	N/A	N/A

WEATHERPROOF WALL MOUNT EXIT 24M (LP & L10)

AS/NZS Standard	Orientation	Classification	2.1M	2.4M	2.7M	3M	3.3M	3.6M	4M	4.5M	5M
AS/NZS 2293.1:2005	C0	E1.6	4.8	4.8	4.8	4.4	4.0	4.2	3.8	-	-
	C90	E1.6	4.8	4.8	4.8	4.4	4.0	4.2	3.8	-	-
AS/NZS 2293.1:2018	C0	E1.6	4.6	4.7	4.6	0.0	0.0	0.0	0.0	N/A	N/A
	C90	E1.6	4.6	4.7	4.6	0.0	0.0	0.0	0.0	N/A	N/A

WEATHERPROOF UNIVERSAL 40M JUMBO EXIT

AS/NZS Standard	Orientation	Classification	2.1M	2.4M	2.7M	3M	3.3M	3.6M	4M	4.5M	5M
AS/NZS 2293.1:2005	C0	D6.3	8.6	8.8	9.0	9.1	9.2	9.2	9.2	9.0	8.7
	C90	E4	6.2	6.6	7.0	7.2	7.4	7.4	7.4	7.2	6.6
AS/NZS 2293.1:2018	C0	D6.3	8.5	8.8	8.9	9.1	9.1	9.2	9.1	9.0	8.7
	C90	E4	6.2	6.6	6.9	7.1	7.3	7.4	7.4	0.0	0.0

LOW TEMPERATURE WALL MOUNT EXIT 24M

AS/NZS Standard	Orientation	Classification	2.1M	2.4M	2.7M	3M	3.3M	3.6M	4M	4.5M	5M
AS/NZS 2293.1:2005	C0	E1.6	4.8	4.8	4.8	4.4	4.0	4.2	3.8	-	-
	C90	E1.6	4.8	4.8	4.8	4.4	4.0	4.2	3.8	-	-
AS/NZS 2293.1:2018	C0	E1.6	4.6	4.7	4.6	0.0	0.0	0.0	0.0	N/A	N/A
	C90	E1.6	4.6	4.7	4.6	0.0	0.0	0.0	0.0	N/A	N/A

EXIT LUMINAIRES

MAXIMUM SPACING AND MOUNTING HEIGHTS (BASED ON 0.2 LX)

0.2 lx

LOW TEMPERATURE UNIVERSAL EXIT 24M

AS/NZS Standard	Orientation	Classification	2.1M	2.4M	2.7M	3M	3.3M	3.6M	4M	4.5M	5M
AS/NZS 2293.1:2005	CO	D2.5	5.8	5.8	5.7	5.6	5.4	5.1	4.5	-	-
	C90	E4	6.2	6.6	7.0	7.2	7.4	7.4	7.4	7.2	6.6
AS/NZS 2293.1:2018	CO	D2.5	5.8	5.8	5.7	5.6	5.3	0.0	0.0	0.0	N/A
	C90	E4	6.2	6.6	6.9	7.1	7.3	7.4	7.4	0.0	0.0

LOW TEMPERATURE WALL MOUNT EXIT 40M

AS/NZS Standard	Orientation	Classification	2.1M	2.4M	2.7M	3M	3.3M	3.6M	4M	4.5M	5M
AS/NZS 2293.1:2005	CO	E1.6	4.8	4.8	4.8	4.4	4.0	4.2	3.8	-	-
	C90	E1.25	4.2	4.2	4.0	3.6	4.0	3.0	-	-	-
AS/NZS 2293.1:2018	CO	E1.6	4.6	4.7	4.6	0.0	0.0	0.0	0.0	N/A	N/A
	C90	E1.25	4.1	4.1	0.0	0.0	0.0	0.0	N/A	N/A	N/A

VANDAL RESISTANT EXIT

AS/NZS Standard	Orientation	Classification	2.1M	2.4M	2.7M	3M	3.3M	3.6M	4M	4.5M	5M
AS/NZS 2293.1:2005	CO	D3.2	6.5	6.6	6.6	6.5	6.4	6.2	5.8	5.1	4.1
	C90	E8	7.4	8.0	8.4	9.0	9.2	9.6	10.0	10.2	10.4
AS/NZS 2293.1:2018	CO	D3.2	6.5	6.5	6.5	6.5	6.3	6.1	5.8	0.0	0.0
	C90	E8	7.3	7.9	8.4	8.8	9.2	9.5	9.9	10.2	10.4

CLEVEREVAC DYNAMIC EXIT

AS/NZS Standard	Orientation	Classification	2.1M	2.4M	2.7M	3M	3.3M	3.6M	4M	4.5M	5M
AS/NZS 2293.1:2005	CO	E2.5	5.6	5.8	5.8	6.0	5.8	5.8	5.2	5.2	4.6
	C90	E1.6	4.8	4.8	4.8	4.4	4.0	4.2	3.8	-	-
AS/NZS 2293.1:2018	CO	E2.5	5.4	5.6	5.8	5.8	5.8	0.0	0.0	0.0	0.0
	C90	E1.6	4.6	4.7	4.6	0.0	0.0	0.0	0.0	N/A	N/A

CLEVEREVAC DYNAMIC BLADE EXIT

AS/NZS Standard	Orientation	Classification	2.1M	2.4M	2.7M	3M	3.3M	3.6M	4M	4.5M	5M
AS/NZS 2293.1:2005	CO	D5	7.8	8.0	8.1	8.2	8.2	8.2	8.0	7.7	7.3
	CO	E4	6.2	6.6	7.0	7.2	7.4	7.4	7.4	7.2	6.6
	C90	C25	9.4	10.0	10.5	11.0	11.5	11.9	12.4	12.9	13.4
	C90	C32	10.0	10.7	11.3	11.8	12.3	12.8	13.4	14.0	14.5
AS/NZS 2293.1:2018	CO	D5	7.8	8.0	8.1	8.2	8.2	8.1	8.0	7.7	7.2
	CO	E4	6.2	6.8	6.9	7.1	7.3	7.4	7.4	0.0	0.0
	C90	C25	9.4	10.0	10.5	11.0	11.5	11.9	12.4	12.9	13.4
	C90	C32	10.0	10.7	11.3	11.8	12.3	12.8	13.4	14.0	14.5

EMERGENCY LUMINAIRES

MAXIMUM SPACING AND MOUNTING HEIGHTS (BASED ON 0.2 LX)

0.2 lx

LIFELIGHT RECESSED & SURFACE MOUNT; INC WEATHERPROOF

AS/NZS Standard	Orientation	Classification	2.1m	2.4m	2.7m	3m	3.3m	3.6m	4m	4.5m	5m	6m	7m	8m	9m	10m
AS/NZS 2293.1:2005	CO	D40	16.7	17.4	18.0	18.6	19.1	19.6	20.1	20.8	21.3	22.1	22.7	23.0	23.1	23.1
	C90	D40	16.7	17.4	18.0	18.6	19.1	19.6	20.1	20.8	21.3	22.1	22.7	23.0	23.1	23.1
AS/NZS 2293.1:2018	CO	D40	11.5	13.2	14.8	16.5	18.1	19.5	20.1	20.7	21.2	22.1	22.6	23.0	23.1	23.0
	C90	D40	11.5	13.2	14.8	16.5	18.1	19.5	20.1	20.7	21.2	22.1	22.6	23.0	23.1	23.0

EMERGENCY LUMINAIRES

MAXIMUM SPACING AND MOUNTING HEIGHTS (BASED ON 0.2 LX)

0.2 lx

LIFELIGHT IP44 RECESSED - LI0 BATTERY

AS/NZS Standard	Orientation	Classification	2.1m	2.4m	2.7m	3m	3.3m	3.6m	4m	4.5m	5m	6m	7m	8m	9m	10m
AS/NZS 2293.1:2005	C0	D40	16.7	17.4	18.0	18.6	19.1	19.6	20.1	20.8	21.3	22.1	22.7	23.0	23.1	23.1
	C90	D40	16.7	17.4	18.0	18.6	19.1	19.6	20.1	20.8	21.3	22.1	22.7	23.0	23.1	23.1
AS/NZS 2293.1:2018	C0	D40	11.5	13.2	14.8	16.5	18.1	19.5	20.1	20.7	21.2	22.1	22.6	23.0	23.1	23.0
	C90	D40	11.5	13.2	14.8	16.5	18.1	19.5	20.1	20.7	21.2	22.1	22.6	23.0	23.1	23.0

LIFELIGHT IP44 RECESSED - LP BATTERY

AS/NZS Standard	Orientation	Classification	2.1m	2.4m	2.7m	3m	3.3m	3.6m	4m	4.5m	5m	6m	7m	8m	9m	10m
AS/NZS 2293.1:2005	C0	D50	18.0	18.7	19.4	20.1	20.7	21.2	21.8	22.5	23.2	24.2	24.9	25.4	25.7	25.9
	C90	D50	18.0	18.7	19.4	20.1	20.7	21.2	21.8	22.5	23.2	24.2	24.9	25.4	25.7	25.9
AS/NZS 2293.1:2018	C0	D50	11.5	13.2	14.8	16.5	18.1	19.8	21.8	22.5	23.1	24.1	24.9	25.4	25.7	25.8
	C90	D50	11.5	13.2	14.8	16.5	18.1	19.8	21.8	22.5	23.1	24.1	24.9	25.4	25.7	25.8

LIFELIGHT PRO RECESSED & SURFACE MOUNT; INC IP20 CYLINDER & SM WEATHERPROOF

AS/NZS Standard	Orientation	Classification	2.1m	2.4m	2.7m	3m	3.3m	3.6m	4m	4.5m	5m	6m	7m	8m	9m	10m
AS/NZS 2293.1:2005	C0	D80	21.1	22.0	22.8	23.6	24.3	25.0	25.8	26.7	27.5	28.9	30.0	30.9	31.6	32.1
	C90	D80	21.1	22.0	22.8	23.6	24.3	25.0	25.8	26.7	27.5	28.9	30.0	30.9	31.6	32.1
AS/NZS 2293.1:2018	C0	D80	11.5	13.2	14.8	16.5	18.1	19.8	22.0	24.7	27.5	28.9	30.0	30.9	31.5	32.1
	C90	D80	11.5	13.2	14.8	16.5	18.1	19.8	22.0	24.7	27.5	28.9	30.0	30.9	31.5	32.1

LIFELIGHT PRO WEATHERPROOF (REMOTE PACK)

AS/NZS Standard	Orientation	Classification	2.1m	2.4m	2.7m	3m	3.3m	3.6m	4m	4.5m	5m	6m	7m	8m	9m	10m
AS/NZS 2293.1:2005	C0	D63	19.4	20.3	21.1	21.8	22.4	23	23.7	24.5	25.2	26.4	27.4	28.1	28.6	28.9
	C90	D63	19.4	20.3	21.1	21.8	22.4	23	23.7	24.5	25.2	26.4	27.4	28.1	28.6	28.9
AS/NZS 2293.1:2018	C0	D63	11.5	13.2	14.8	16.5	18.1	19.8	22	24.5	25.2	26.4	27.3	28	28.5	28.8
	C90	D63	11.5	13.2	14.8	16.5	18.1	19.8	22	24.5	25.2	26.4	27.3	28	28.5	28.8

LIFELIGHT PRO WEATHERPROOF (INTEGRAL PACK)

AS/NZS Standard	Orientation	Classification	2.1m	2.4m	2.7m	3m	3.3m	3.6m	4m	4.5m	5m	6m	7m	8m	9m	10m
AS/NZS 2293.1:2005	C0	D50	18.0	18.7	19.4	20.1	20.7	21.2	21.8	22.5	23.2	24.2	24.9	25.4	25.7	25.9
	C90	D50	18.0	18.7	19.4	20.1	20.7	21.2	21.8	22.5	23.2	24.2	24.9	25.4	25.7	25.9
AS/NZS 2293.1:2018	C0	D50	11.5	13.2	14.8	16.5	18.1	19.8	21.8	22.5	23.1	24.1	24.9	25.4	25.7	25.8
	C90	D50	11.5	13.2	14.8	16.5	18.1	19.8	21.8	22.5	23.1	24.1	24.9	25.4	25.7	25.8

WEATHERPROOF EMERGENCY POD (LIFELIGHT)

AS/NZS Standard	Orientation	Classification	2.1m	2.4m	2.7m	3m	3.3m	3.6m	4m	4.5m	5m	6m	7m	8m	9m	10m
AS/NZS 2293.1:2005	C0	D40	16.7	17.4	18.0	18.6	19.1	19.6	20.1	20.8	21.3	22.1	22.7	23.0	23.1	23.1
	C90	D40	16.7	17.4	18.0	18.6	19.1	19.6	20.1	20.8	21.3	22.1	22.7	23.0	23.1	23.1
AS/NZS 2293.1:2018	C0	D40	11.5	13.2	14.8	16.5	18.1	19.5	20.1	20.7	21.2	22.1	22.6	23.0	23.1	23.0
	C90	D40	11.5	13.2	14.8	16.5	18.1	19.5	20.1	20.7	21.2	22.1	22.6	23.0	23.1	23.0

WEATHERPROOF EMERGENCY POD (LIFELIGHT PRO)

AS/NZS Standard	Orientation	Classification	2.1m	2.4m	2.7m	3m	3.3m	3.6m	4m	4.5m	5m	6m	7m	8m	9m	10m
AS/NZS 2293.1:2005	C0	D80	21.1	22.0	22.8	23.6	24.3	25.0	25.8	26.7	27.5	28.9	30.0	30.9	31.6	32.1
	C90	D80	21.1	22.0	22.8	23.6	24.3	25.0	25.8	26.7	27.5	28.9	30.0	30.9	31.6	32.1
AS/NZS 2293.1:2018	C0	D80	11.5	13.2	14.8	16.5	18.1	19.8	22.0	24.7	27.5	28.9	30.0	30.9	31.5	32.1
	C90	D80	11.5	13.2	14.8	16.5	18.1	19.8	22.0	24.7	27.5	28.9	30.0	30.9	31.5	32.1

TWIN WEATHERPROOF EMERGENCY POD (LIFELIGHT PRO)

AS/NZS Standard	Orientation	Classification	2.1m	2.4m	2.7m	3m	3.3m	3.6m	4m	4.5m	5m	6m	7m	8m	9m	10m
AS/NZS 2293.1:2005	C0	D160	26.6	27.8	28.9	29.9	30.8	31.7	32.8	34.0	35.1	37.1	38.8	40.2	41.5	42.5
	C90	D160	26.6	27.8	28.9	29.9	30.8	31.7	32.8	34.0	35.1	37.1	38.8	40.2	41.5	42.5
AS/NZS 2293.1:2018	C0	D160	11.5	13.2	14.8	16.5	18.1	19.8	22.0	24.7	27.5	33.0	38.5	40.2	41.4	42.5
	C90	D160	11.5	13.2	14.8	16.5	18.1	19.8	22.0	24.7	27.5	33.0	38.5	40.2	41.4	42.5

EMERGENCY LUMINAIRES

MAXIMUM SPACING AND MOUNTING HEIGHTS (BASED ON 0.2 LX)

0.2 lx

LIFELIGHT PRO WEATHERPROOF CYLINDER

AS/NZS Standard	Orientation	Classification	2.1m	2.4m	2.7m	3m	3.3m	3.6m	4m	4.5m	5m	6m	7m	8m	9m	10m
AS/NZS 2293.1:2005	C0	D50	18.0	18.7	19.1	20.1	20.7	21.2	21.8	22.5	23.2	24.2	24.9	25.4	25.7	25.9
	C90	D50	18.0	18.7	19.1	20.1	20.7	21.2	21.8	22.5	23.2	24.2	24.9	25.4	25.7	25.9
AS/NZS 2293.1:2018	C0	D50	11.5	13.2	14.8	16.5	18.1	19.8	22.0	24.7	27.5	28.9	30.0	30.9	31.5	32.1
	C90	D50	11.5	13.2	14.8	16.5	18.1	19.8	22.0	24.7	27.5	28.9	30.0	30.9	31.5	32.1

CIRCLITE

AS/NZS Standard	Orientation	Classification	2.1m	2.4m	2.7m	3m	3.3m	3.6m	4m	4.5m	5m	6m	7m	8m	9m	10m
AS/NZS 2293.1:2005	C0	D32	15.4	16.1	16.7	17.2	17.6	18.0	18.5	19.1	19.5	20.2	20.6	20.7	20.6	20.3
	C90	D32	15.4	16.1	16.7	17.2	17.6	18.0	18.5	19.1	19.5	20.2	20.6	20.7	20.6	20.3
AS/NZS 2293.1:2018	C0	D32	11.5	13.2	14.8	16.5	17.6	18.0	18.5	19.0	19.5	20.1	20.5	20.7	20.6	20.3
	C90	D32	11.5	13.2	14.8	16.5	17.6	18.0	18.5	19.0	19.5	20.1	20.5	20.7	20.6	20.3

PREMIUM CIRCLITE

AS/NZS Standard	Orientation	Classification	2.1m	2.4m	2.7m	3m	3.3m	3.6m	4m	4.5m	5m	6m	7m	8m	9m	10m
AS/NZS 2293.1:2005	C0	D25	14.2	14.7	15.3	15.7	16.1	16.5	16.9	17.3	17.7	18.1	18.3	18.2	17.9	17.3
	C90	D25	14.2	14.7	15.3	15.7	16.1	16.5	16.9	17.3	17.7	18.1	18.3	18.2	17.9	17.3
AS/NZS 2293.1:2018	C0	D25	11.5	13.2	14.8	15.7	16.1	16.4	16.8	17.3	17.6	18.1	18.3	18.2	17.8	17.2
	C90	D25	11.5	13.2	14.8	15.7	16.1	16.4	16.8	17.3	17.6	18.1	18.3	18.2	17.8	17.2

ARGONAUT SQUARE

AS/NZS Standard	Orientation	Classification	2.1m	2.4m	2.7m	3m	3.3m	3.6m	4m	4.5m	5m	6m	7m	8m	9m	10m
AS/NZS 2293.1:2005	C0	D63	19.4	20.3	21.1	21.8	22.4	23.0	23.7	24.5	25.2	26.4	27.4	28.1	28.6	28.9
	C90	D63	19.4	20.3	21.1	21.8	22.4	23.0	23.7	24.5	25.2	26.4	27.4	28.1	28.6	28.9
AS/NZS 2293.1:2018	C0	D63	11.5	13.2	14.8	16.5	18.1	19.8	22.0	24.5	25.2	26.4	27.3	28.0	28.5	28.8
	C90	D63	11.5	13.2	14.8	16.5	18.1	19.8	22.0	24.5	25.2	26.4	27.3	28.0	28.5	28.8

BUNKALITE

AS/NZS Standard	Orientation	Classification	2.1m	2.4m	2.7m	3m	3.3m	3.6m	4m	4.5m	5m	6m	7m	8m	9m	10m
AS/NZS 2293.1:2005	C0	D25	14.2	14.7	15.3	15.7	16.1	16.5	16.9	17.3	17.7	18.1	18.3	18.2	17.9	17.3
	C90	D25	14.2	14.7	15.3	15.7	16.1	16.5	16.9	17.3	17.7	18.1	18.3	18.2	17.9	17.3
AS/NZS 2293.1:2018	C0	D25	11.5	13.2	14.8	15.7	16.1	16.4	16.8	17.3	17.6	18.1	18.3	18.2	17.8	17.2
	C90	D25	11.5	13.2	14.8	15.7	16.1	16.4	16.8	17.3	17.6	18.1	18.3	18.2	17.8	17.2

LOW TEMPERATURE EMERGENCY (-25C)

AS/NZS Standard	Orientation	Classification	2.1m	2.4m	2.7m	3m	3.3m	3.6m	4m	4.5m	5m	6m	7m	8m	9m	10m
AS/NZS 2293.1:2005	C0	D50	18.0	18.7	19.4	20.1	20.7	21.2	21.8	22.5	23.2	24.2	24.9	25.4	25.7	25.9
	C90	D50	18.0	18.7	19.4	20.1	20.7	21.2	21.8	22.5	23.2	24.2	24.9	25.4	25.7	25.9
AS/NZS 2293.1:2018	C0	D50	11.5	13.2	14.8	16.5	18.1	19.8	21.8	22.5	23.1	24.1	24.9	25.4	25.7	25.8
	C90	D50	11.5	13.2	14.8	16.5	18.1	19.8	21.8	22.5	23.1	24.1	24.9	25.4	25.7	25.8

LOW TEMPERATURE EMERGENCY (-40C)

AS/NZS Standard	Orientation	Classification	2.1m	2.4m	2.7m	3m	3.3m	3.6m	4m	4.5m	5m	6m	7m	8m	9m	10m
AS/NZS 2293.1:2005	C0	D63	19.4	20.3	21.1	21.8	22.4	23	23.7	24.5	25.2	26.4	27.4	28.1	28.6	28.9
	C90	D63	19.4	20.3	21.1	21.8	22.4	23	23.7	24.5	25.2	26.4	27.4	28.1	28.6	28.9
AS/NZS 2293.1:2018	C0	D63	11.5	13.2	14.8	16.5	18.1	19.8	22	24.5	25.2	26.4	27.3	28	28.5	28.8
	C90	D63	11.5	13.2	14.8	16.5	18.1	19.8	22	24.5	25.2	26.4	27.3	28.0	28.5	28.8

BATTEN LUMINAIRE

MAXIMUM SPACING AND MOUNTING HEIGHTS (BASED ON 0.2 LX)

0.2 lx

ARGO WEATHERPROOF 600MM

AS/NZS Standard	Orientation	Classification	2.1m	2.4m	2.7m	3m	3.3m	3.6m	4m	4.5m	5m	6m	7m	8m	9m	10m
AS/NZS 2293.1:2005	C0	D40	16.7	17.4	18.0	18.6	19.1	19.6	20.1	20.8	21.3	22.1	22.7	23.0	23.1	23.1
	C90	D25	14.2	14.7	15.3	15.7	16.1	16.5	16.9	17.3	17.7	18.1	18.3	18.2	17.9	17.3
AS/NZS 2293.1:2018	C0	D40	11.5	13.2	14.8	16.5	18.1	19.5	20.1	20.7	21.2	22.1	22.6	23.0	23.1	23.0
	C90	D25	11.5	13.2	14.8	15.7	16.1	16.4	16.8	17.3	17.6	18.1	18.3	18.2	17.8	17.2

ARGO WEATHERPROOF 1200MM (EL)

AS/NZS Standard	Orientation	Classification	2.1m	2.4m	2.7m	3m	3.3m	3.6m	4m	4.5m	5m	6m	7m	8m	9m	10m
AS/NZS 2293.1:2005	C0	D40	16.7	17.4	18.0	18.6	19.1	19.6	20.1	20.8	21.3	22.1	22.7	23.0	23.1	23.1
	C90	D25	14.2	14.7	15.3	15.7	16.1	16.5	16.9	17.3	17.7	18.1	18.3	18.2	17.9	17.3
AS/NZS 2293.1:2018	C0	D40	11.5	13.2	14.8	16.5	18.1	19.5	20.1	20.7	21.2	22.1	22.6	23.0	23.1	23.0
	C90	D25	11.5	13.2	14.8	15.7	16.1	16.4	16.8	17.3	17.6	18.1	18.3	18.2	17.8	17.2

ARGO WEATHERPROOF 1200MM (LP)

AS/NZS Standard	Orientation	Classification	2.1m	2.4m	2.7m	3m	3.3m	3.6m	4m	4.5m	5m	6m	7m	8m	9m	10m
AS/NZS 2293.1:2005	C0	D63	19.4	20.3	21.1	21.8	22.4	23	23.7	24.5	25.2	26.4	27.4	28.1	28.6	28.9
	C90	D40	16.7	17.4	18.0	18.6	19.1	19.6	20.1	20.8	21.3	22.1	22.7	23.0	23.1	23.1
AS/NZS 2293.1:2018	C0	D63	11.5	13.2	14.8	16.5	18.1	19.8	22	24.5	25.2	26.4	27.3	28.0	28.5	28.8
	C90	D40	11.5	13.2	14.8	16.5	18.1	19.5	20.1	20.7	21.2	22.1	22.6	23.0	23.1	23.0

ARGONAUT PLUS 600MM (INTEGRAL BATTERY)

AS/NZS Standard	Orientation	Classification	2.1m	2.4m	2.7m	3m	3.3m	3.6m	4m	4.5m	5m	6m	7m	8m	9m	10m
AS/NZS 2293.1:2005	C0	D40	16.7	17.4	18.0	18.6	19.1	19.6	20.1	20.8	21.3	22.1	22.7	23.0	23.1	23.1
	C90	D25	14.2	14.7	15.3	15.7	16.1	16.5	16.9	17.3	17.7	18.1	18.3	18.2	17.9	17.3
AS/NZS 2293.1:2018	C0	D40	11.5	13.2	14.8	16.5	18.1	19.5	20.1	20.7	21.2	22.1	22.6	23.0	23.1	23.0
	C90	D25	11.5	13.2	14.8	15.7	16.1	16.4	16.8	17.3	17.6	18.1	18.3	18.2	17.8	17.2

ARGONAUT PLUS 1200MM & 1500MM (INTEGRAL BATTERY)

AS/NZS Standard	Orientation	Classification	2.1m	2.4m	2.7m	3m	3.3m	3.6m	4m	4.5m	5m	6m	7m	8m	9m	10m
AS/NZS 2293.1:2005	C0	D63	19.4	20.3	21.1	21.8	22.4	23	23.7	24.5	25.2	26.4	27.4	28.1	28.6	28.9
	C90	D40	16.7	17.4	18.0	18.6	19.1	19.6	20.1	20.8	21.3	22.1	22.7	23.0	23.1	23.1
AS/NZS 2293.1:2018	C0	D63	11.5	13.2	14.8	16.5	18.1	19.8	22	24.5	25.2	26.4	27.3	28.0	28.5	28.8
	C90	D40	11.5	13.2	14.8	16.5	18.1	19.5	20.1	20.7	21.2	22.1	22.6	23.0	23.1	23.0

ARGONAUT PLUS 600MM, 1200MM & 1500MM (POD)

AS/NZS Standard	Orientation	Classification	2.1m	2.4m	2.7m	3m	3.3m	3.6m	4m	4.5m	5m	6m	7m	8m	9m	10m
AS/NZS 2293.1:2005	C0	D80	21.1	22	22.8	23.6	24.3	25	25.8	26.7	27.5	28.9	30	30.9	31.6	32.1
	C90	D80	21.1	22	22.8	23.6	24.3	25	25.8	26.7	27.5	28.9	30	30.9	31.6	32.1
AS/NZS 2293.1:2018	C0	D80	11.5	13.2	14.8	16.5	18.1	19.8	22.0	24.7	27.5	28.9	30.0	30.9	31.5	32.1
	C90	D80	11.5	13.2	14.8	16.5	18.1	19.8	22.0	24.7	27.5	28.9	30.0	30.9	31.5	32.1

ARGONAUT PRO 600MM, 1200MM & 1500MM (INTEGRAL BATTERY)

AS/NZS Standard	Orientation	Classification	2.1m	2.4m	2.7m	3m	3.3m	3.6m	4m	4.5m	5m	6m	7m	8m	9m	10m
AS/NZS 2293.1:2005	C0	D63	19.4	20.3	21.1	21.8	22.4	23	23.7	24.5	25.2	26.4	27.4	28.1	28.6	28.9
	C90	D40	16.7	17.4	18.0	18.6	19.1	19.6	20.1	20.8	21.3	22.1	22.7	23.0	23.1	23.1
AS/NZS 2293.1:2018	C0	D63	11.5	13.2	14.8	16.5	18.1	19.8	22	24.5	25.2	26.4	27.3	28.0	28.5	28.8
	C90	D40	11.5	13.2	14.8	16.5	18.1	19.5	20.1	20.7	21.2	22.1	22.6	23.0	23.1	23.0

BATTEN LUMINAIRE

MAXIMUM SPACING AND MOUNTING HEIGHTS (BASED ON 0.2 LX)

0.2 lx

ARGONAUT PRO 600MM, 1200MM & 1500MM (POD)

AS/NZS Standard	Orientation	Classification	2.1m	2.4m	2.7m	3m	3.3m	3.6m	4m	4.5m	5m	6m	7m	8m	9m	10m
AS/NZS 2293.1:2005	C0	D80	21.1	22.0	22.8	23.6	24.3	25.0	25.8	26.7	27.5	28.9	30.0	30.9	31.6	32.1
	C90	D80	21.1	22.0	22.8	23.6	24.3	25.0	25.8	26.7	27.5	28.9	30.0	30.9	31.6	32.1
AS/NZS 2293.1:2018	C0	D80	11.5	13.2	14.8	16.5	18.1	19.8	22.0	24.7	27.5	28.9	30.0	30.9	31.5	32.1
	C90	D80	11.5	13.2	14.8	16.5	18.1	19.8	22.0	24.7	27.5	28.9	30.0	30.9	31.5	32.1

ARGONAUT VANDAL RESISTANT 600MM

AS/NZS Standard	Orientation	Classification	2.1m	2.4m	2.7m	3m	3.3m	3.6m	4m	4.5m	5m	6m	7m	8m	9m	10m
AS/NZS 2293.1:2005	C0	D63	19.4	20.3	21.1	21.8	22.4	23.0	23.7	24.5	25.2	26.4	27.4	28.1	28.6	28.9
	C90	D32	15.4	16.1	16.7	17.2	17.6	18.0	18.5	19.1	19.5	20.2	20.6	20.7	20.6	20.3
AS/NZS 2293.1:2018	C0	D63	11.5	13.2	14.8	16.5	18.1	19.8	22.0	24.5	25.2	26.4	27.3	28.0	28.5	28.8
	C90	D32	11.5	13.2	14.8	16.5	17.6	18.0	18.5	19.0	19.5	20.1	20.5	20.7	20.6	20.3

ARGONAUT VANDAL RESISTANT 1200MM

AS/NZS Standard	Orientation	Classification	2.1m	2.4m	2.7m	3m	3.3m	3.6m	4m	4.5m	5m	6m	7m	8m	9m	10m
AS/NZS 2293.1:2005	C0	D100	22.7	23.7	24.6	25.5	26.3	27.0	27.9	28.9	29.8	31.4	32.7	33.7	34.6	35.3
	C90	D50	18.0	18.7	19.4	20.1	20.7	21.2	21.8	22.5	23.2	24.2	24.9	25.4	25.7	25.9
AS/NZS 2293.1:2018	C0	D100	11.5	13.2	14.8	16.5	18.1	19.8	22.0	24.7	27.5	31.3	32.6	33.7	34.5	35.2
	C90	D50	11.5	13.2	14.8	16.5	18.1	19.8	21.8	22.5	23.1	24.1	24.9	25.4	25.7	25.8

EPIC 600MM & 1200MM (INTEGRAL BATTERY)

AS/NZS Standard	Orientation	Classification	2.1m	2.4m	2.7m	3m	3.3m	3.6m	4m	4.5m	5m	6m	7m	8m	9m	10m
AS/NZS 2293.1:2005	C0	D40	16.7	17.4	18.0	18.6	19.1	19.6	20.1	20.8	21.3	22.1	22.7	23.0	23.1	23.1
	C90	D25	14.2	14.7	15.3	15.7	16.1	16.5	16.9	17.3	17.7	18.1	18.3	18.2	17.9	17.3
AS/NZS 2293.1:2018	C0	D40	11.5	13.2	14.8	16.5	18.1	19.5	20.1	20.7	21.2	22.1	22.6	23.0	23.1	23.0
	C90	D25	11.5	13.2	14.8	15.7	16.1	16.4	16.8	17.3	17.6	18.1	18.3	18.2	17.8	17.2

EPIC 1200MM (LP BATTERY)

AS/NZS Standard	Orientation	Classification	2.1m	2.4m	2.7m	3m	3.3m	3.6m	4m	4.5m	5m	6m	7m	8m	9m	10m
AS/NZS 2293.1:2005	C0	D63	19.4	20.3	21.1	21.8	22.4	23	23.7	24.5	25.2	26.4	27.4	28.1	28.6	28.9
	C90	D40	16.7	17.4	18.0	18.6	19.1	19.6	20.1	20.8	21.3	22.1	22.7	23.0	23.1	23.1
AS/NZS 2293.1:2018	C0	D63	11.5	13.2	14.8	16.5	18.1	19.8	22.0	24.5	25.2	26.4	27.3	28.0	28.5	28.8
	C90	D40	11.5	13.2	14.8	16.5	18.1	19.5	20.1	20.7	21.2	22.1	22.6	23.0	23.1	23.0

ODYSSEY QUANTUM DIFFUSED 600MM (INTEGRAL BATTERY)

AS/NZS Standard	Orientation	Classification	2.1m	2.4m	2.7m	3m	3.3m	3.6m	4m	4.5m	5m	6m	7m	8m	9m	10m
AS/NZS 2293.1:2005	C0	D50	18.0	18.7	19.4	20.1	20.7	21.2	21.8	22.5	23.2	24.2	24.9	25.4	25.7	25.9
	C90	C50	11.3	12	12.7	13.4	14.0	14.5	15.2	16.0	16.7	17.9	18.8	19.6	20.1	20.4
AS/NZS 2293.1:2018	C0	D50	11.5	13.2	14.8	16.5	18.1	19.8	21.8	22.5	23.1	24.1	24.9	25.4	25.7	25.8
	C90	C50	11.3	12	12.7	13.4	14.0	14.5	15.2	16.0	16.7	17.9	18.8	19.6	20.1	20.4

ODYSSEY QUANTUM DIFFUSED 1200MM (INTEGRAL BATTERY)

AS/NZS Standard	Orientation	Classification	2.1m	2.4m	2.7m	3m	3.3m	3.6m	4m	4.5m	5m	6m	7m	8m	9m	10m
AS/NZS 2293.1:2005	C0	D50	18.0	18.7	19.4	20.1	20.7	21.2	21.8	22.5	23.2	24.2	24.9	25.4	25.7	25.9
	C90	D16	12.1	12.6	13.0	13.3	13.6	13.9	14.1	14.6	14.6	14.6	14.4	13.8	12.9	11.5
AS/NZS 2293.1:2018	C0	D50	11.5	13.2	14.8	16.5	18.1	19.8	21.8	22.5	23.1	24.1	24.9	25.4	25.7	25.8
	C90	D16	11.5	12.5	12.9	13.3	13.6	13.8	14.1	14.4	14.5	14.6	14.4	13.8	0.0	0.0

BATTEN LUMINAIRES

MAXIMUM SPACING AND MOUNTING HEIGHTS (BASED ON 0.2 LX)

0.2 lx

ODYSSEY QUANTUM DIFFUSED 600MM & 1200MM (POD)

AS/NZS Standard	Orientation	Classification	2.1m	2.4m	2.7m	3m	3.3m	3.6m	4m	4.5m	5m	6m	7m	8m	9m	10m
AS/NZS 2293.1:2005	C0	D40	16.7	17.4	18.0	18.6	19.1	19.6	20.1	20.8	21.3	22.1	22.7	23.0	23.1	23.1
	C90	D40	16.7	17.4	18.0	18.6	19.1	19.6	20.1	20.8	21.3	22.1	22.7	23.0	23.1	23.1
AS/NZS 2293.1:2018	C0	D40	11.5	13.2	14.8	16.5	18.1	19.5	20.1	20.7	21.2	22.1	22.6	23.0	23.1	23.0
	C90	D40	11.5	13.2	14.8	16.5	18.1	19.5	20.1	20.7	21.2	22.1	22.6	23.0	23.1	23.0

ODYSSEY QUANTUM WIREGUARD 600MM & 1200MM

AS/NZS Standard	Orientation	Classification	2.1m	2.4m	2.7m	3m	3.3m	3.6m	4m	4.5m	5m	6m	7m	8m	9m	10m
AS/NZS 2293.1:2005	C0	D40	16.7	17.4	18.0	18.6	19.1	19.6	20.1	20.8	21.3	22.1	22.7	23.0	23.1	23.1
	C90	D40	16.7	17.4	18.0	18.6	19.1	19.6	20.1	20.8	21.3	22.1	22.7	23.0	23.1	23.1
AS/NZS 2293.1:2018	C0	D40	11.5	13.2	14.8	16.5	18.1	19.5	20.1	20.7	21.2	22.1	22.6	23.0	23.1	23.0
	C90	D40	11.5	13.2	14.8	16.5	18.1	19.5	20.1	20.7	21.2	22.1	22.6	23.0	23.1	23.0

BARE EMERGENCY 600MM & 1200MM (EL & LP)

AS/NZS Standard	Orientation	Classification	2.1m	2.4m	2.7m	3m	3.3m	3.6m	4m	4.5m	5m	6m	7m	8m	9m	10m
AS/NZS 2293.1:2005	C0	D40	16.7	17.4	18.0	18.6	19.1	19.6	20.1	20.8	21.3	22.1	22.7	23.0	23.1	23.1
	C90	D40	16.7	17.4	18.0	18.6	19.1	19.6	20.1	20.8	21.3	22.1	22.7	23.0	23.1	23.1
AS/NZS 2293.1:2018	C0	D40	11.5	13.2	14.8	16.5	18.1	19.5	20.1	20.7	21.2	22.1	22.6	23.0	23.1	23.0
	C90	D40	11.5	13.2	14.8	16.5	18.1	19.5	20.1	20.7	21.2	22.1	22.6	23.0	23.1	23.0

BARE EMERGENCY 600MM & 1200MM (L10)

AS/NZS Standard	Orientation	Classification	2.1m	2.4m	2.7m	3m	3.3m	3.6m	4m	4.5m	5m	6m	7m	8m	9m	10m
AS/NZS 2293.1:2005	C0	D80	21.1	22.0	22.8	23.6	24.3	25.0	25.8	26.7	27.5	28.9	30	30.9	31.6	32.1
	C90	D80	21.1	22.0	22.8	23.6	24.3	25.0	25.8	26.7	27.5	28.9	30	30.9	31.6	32.1
AS/NZS 2293.1:2018	C0	D80	11.5	13.2	14.8	16.5	18.1	19.8	22.0	24.7	27.5	28.9	30.0	30.9	31.5	32.1
	C90	D80	11.5	13.2	14.8	16.5	18.1	19.8	22.0	24.7	27.5	28.9	30.0	30.9	31.5	32.1

TWIN LIFELIGHT-PRO BARE EMERGENCY 600MM & 1200MM (LP & L10)

AS/NZS Standard	Orientation	Classification	2.1m	2.4m	2.7m	3m	3.3m	3.6m	4m	4.5m	5m	6m	7m	8m	9m	10m
AS/NZS 2293.1:2005	C0	D160	26.6	27.8	28.9	29.9	30.8	31.7	32.8	34.0	35.1	37.1	38.8	40.2	41.5	42.5
	C90	D160	26.6	27.8	28.9	29.9	30.8	31.7	32.8	34.0	35.1	37.1	38.8	40.2	41.5	42.5
AS/NZS 2293.1:2018	C0	D160	11.5	13.2	14.8	16.5	18.1	19.8	22.0	24.7	27.5	33.0	38.5	40.2	41.4	42.5
	C90	D160	11.5	13.2	14.8	16.5	18.1	19.8	22.0	24.7	27.5	33.0	38.5	40.2	41.4	42.5

EXIT LUMINAIRES

MAXIMUM SPACING AND MOUNTING HEIGHTS (BASED ON 1 LX)

1 lx

CLEVERFIT EXIT											
AS/NZS Standard	Orientation	Classification	2.1M	2.4M	2.7M	3M	3.3M	3.6M	4M	4.5M	5M
AS/NZS 2293.1:2005	C0	D6.3	3.9	3.7	3.3	2.4	1.5	N/A	N/A	N/A	N/A
	C0	E2.5	N/A	N/A	N/A	N/A	N/A	N/A	N/A	N/A	N/A
	C90	D5	3.3	3.0	2.0	1.1	N/A	N/A	N/A	N/A	N/A
	C90	E2	N/A	N/A	N/A	N/A	N/A	N/A	N/A	N/A	N/A
AS/NZS 2293.1:2018	C0	E6.3	4.0	3.7	0.0	0.0	0.0	N/A	N/A	N/A	N/A
	C0	E2.5	N/A	N/A	N/A	N/A	N/A	N/A	N/A	N/A	N/A
	C90	D5	3.4	0.0	0.0	0.0	N/A	N/A	N/A	N/A	N/A
	C90	E2	N/A	N/A	N/A	N/A	N/A	N/A	N/A	N/A	N/A

CLEVERFIT PRO											
AS/NZS Standard	Orientation	Classification	2.1M	2.4M	2.7M	3M	3.3M	3.6M	4M	4.5M	5M
AS/NZS 2293.1:2005	C0	D3.2	1.8	N/A	N/A	N/A	N/A	N/A	N/A	N/A	N/A
	C90	B16	4.0	4.2	4.3	4.3	4.3	4.2	4.0	3.3	2.2
AS/NZS 2293.1:2018	C0	D3.2	0.0	0.0	N/A	N/A	N/A	N/A	N/A	N/A	N/A
	C90	B16	4.1	4.2	4.3	4.4	4.3	4.3	4.1	0.0	0.0

ULTRABLADE PRO SURFACE MOUNT EXIT & RECESSED EXIT											
AS/NZS Standard	Orientation	Classification	2.1M	2.4M	2.7M	3M	3.3M	3.6M	4M	4.5M	5M
AS/NZS 2293.1:2005	C0	E6.3	4.1	4.0	3.6	2.6	1.6	N/A	N/A	N/A	N/A
	C90	E5	3.6	3.2	2.2	1.2	N/A	N/A	N/A	N/A	N/A
AS/NZS 2293.1:2018	C0	E6.3	4.1	4.1	0.0	0.0	0.0	N/A	N/A	N/A	N/A
	C90	E5	3.7	0.0	0.0	0.0	N/A	N/A	N/A	N/A	N/A

ULTRABLADE PRO SURFACE MOUNT EXIT - VERTICAL DECAL											
AS/NZS Standard	Orientation	Classification	2.1M	2.4M	2.7M	3M	3.3M	3.6M	4M	4.5M	5M
AS/NZS 2293.1:2005	C0	E1	N/A	N/A	N/A	N/A	N/A	N/A	N/A	N/A	N/A
	C90	B1	N/A	N/A	N/A	N/A	N/A	N/A	N/A	N/A	N/A
AS/NZS 2293.1:2018	C0	E1	N/A	N/A	N/A	N/A	N/A	N/A	N/A	N/A	N/A
	C90	B1	N/A	N/A	N/A	N/A	N/A	N/A	N/A	N/A	N/A

ULTRABLADE PRO RECESSED MOUNT EXIT - VERTICAL DECAL											
AS/NZS Standard	Orientation	Classification	2.1M	2.4M	2.7M	3M	3.3M	3.6M	4M	4.5M	5M
AS/NZS 2293.1:2005	C0	E1.25	N/A	N/A	N/A	N/A	N/A	N/A	N/A	N/A	N/A
	C90	B1.25	N/A	N/A	N/A	N/A	N/A	N/A	N/A	N/A	N/A
AS/NZS 2293.1:2018	C0	E1.25	N/A	N/A	N/A	N/A	N/A	N/A	N/A	N/A	N/A
	C90	B1.25	N/A	N/A	N/A	N/A	N/A	N/A	N/A	N/A	N/A

JUMBO LED EXIT											
AS/NZS Standard	Orientation	Classification	2.1M	2.4M	2.7M	3M	3.3M	3.6M	4M	4.5M	5M
AS/NZS 2293.1:2005	C0	D6.3	3.9	3.7	3.3	2.4	1.5	N/A	N/A	N/A	N/A
	C90	E3.2	1.9	1.0	N/A	N/A	N/A	N/A	N/A	N/A	N/A
AS/NZS 2293.1:2018	C0	D6.3	4.0	3.7	0.0	0.0	0.0	N/A	N/A	N/A	N/A
	C90	E3.2	0.0	0.0	N/A	N/A	N/A	N/A	N/A	N/A	N/A

EXIT LUMINAIRES

MAXIMUM SPACING AND MOUNTING HEIGHTS (BASED ON 1 LX)

1 lx

GIGANTOR LED EXIT

AS/NZS Standard	Orientation	Classification	2.1M	2.4M	2.7M	3M	3.3M	3.6M	4M	4.5M	5M
AS/NZS 2293.1:2005	C0	D80	12.0	12.5	12.9	13.2	13.5	13.8	14	14.3	14.5
	C90	D80	12.0	12.5	12.9	13.2	13.5	13.8	14	14.3	14.5
AS/NZS 2293.1:2018	C0	D80	11.5	12.5	12.9	13.3	13.6	13.8	14.1	14.4	14.5
	C90	D80	11.5	12.5	12.9	13.3	13.6	13.8	14.1	14.4	14.5

WEATHERPROOF UNIVERSAL EXIT

AS/NZS Standard	Orientation	Classification	2.1M	2.4M	2.7M	3M	3.3M	3.6M	4M	4.5M	5M
AS/NZS 2293.1:2005	C0	E2	N/A	N/A	N/A	N/A	N/A	N/A	N/A	N/A	N/A
	C90	E1.6	N/A	N/A	N/A	N/A	N/A	N/A	N/A	N/A	N/A
AS/NZS 2293.1:2018	C0	E2	N/A	N/A	N/A	N/A	N/A	N/A	N/A	N/A	N/A
	C90	E1.6	N/A	N/A	N/A	N/A	N/A	N/A	N/A	N/A	N/A

WEATHERPROOF WALL MOUNT EXIT 24M (EL)

AS/NZS Standard	Orientation	Classification	2.1M	2.4M	2.7M	3M	3.3M	3.6M	4M	4.5M	5M
AS/NZS 2293.1:2005	C0	E1.25	N/A	N/A	N/A	N/A	N/A	N/A	N/A	N/A	N/A
	C90	E1	N/A	N/A	N/A	N/A	N/A	N/A	N/A	N/A	N/A
AS/NZS 2293.1:2018	C0	E1.25	N/A	N/A	N/A	N/A	N/A	N/A	N/A	N/A	N/A
	C90	E1	N/A	N/A	N/A	N/A	N/A	N/A	N/A	N/A	N/A

WEATHERPROOF WALL MOUNT EXIT 24M (LP & L10)

AS/NZS Standard	Orientation	Classification	2.1M	2.4M	2.7M	3M	3.3M	3.6M	4M	4.5M	5M
AS/NZS 2293.1:2005	C0	E1.6	N/A	N/A	N/A	N/A	N/A	N/A	N/A	N/A	N/A
	C90	E1.6	N/A	N/A	N/A	N/A	N/A	N/A	N/A	N/A	N/A
AS/NZS 2293.1:2018	C0	E1.6	N/A	N/A	N/A	N/A	N/A	N/A	N/A	N/A	N/A
	C90	E1.6	N/A	N/A	N/A	N/A	N/A	N/A	N/A	N/A	N/A

WEATHERPROOF UNIVERSAL 40M JUMBO EXIT

AS/NZS Standard	Orientation	Classification	2.1M	2.4M	2.7M	3M	3.3M	3.6M	4M	4.5M	5M
AS/NZS 2293.1:2005	C0	D6.3	3.9	3.7	3.3	2.4	1.5	N/A	N/A	N/A	N/A
	C90	E4	3.1	2.0	1.0	N/A	N/A	N/A	N/A	N/A	N/A
AS/NZS 2293.1:2018	C0	D6.3	4.0	3.7	0.0	0.0	0.0	N/A	N/A	N/A	N/A
	C90	E4	0.0	0.0	0.0	N/A	N/A	N/A	N/A	N/A	N/A

LOW TEMPERATURE WALL MOUNT EXIT 24M

AS/NZS Standard	Orientation	Classification	2.1M	2.4M	2.7M	3M	3.3M	3.6M	4M	4.5M	5M
AS/NZS 2293.1:2005	C0	E1.6	N/A	N/A	N/A	N/A	N/A	N/A	N/A	N/A	N/A
	C90	E1.6	N/A	N/A	N/A	N/A	N/A	N/A	N/A	N/A	N/A
AS/NZS 2293.1:2018	C0	E1.6	N/A	N/A	N/A	N/A	N/A	N/A	N/A	N/A	N/A
	C90	E1.6	N/A	N/A	N/A	N/A	N/A	N/A	N/A	N/A	N/A

EXIT LUMINAIRES

MAXIMUM SPACING AND MOUNTING HEIGHTS (BASED ON 1 LX)

1 lx

LOW TEMPERATURE UNIVERSAL EXIT 24M

AS/NZS Standard	Orientation	Classification	2.1M	2.4M	2.7M	3M	3.3M	3.6M	4M	4.5M	5M
AS/NZS 2293.1:2005	C0	D2.5	N/A	N/A	N/A	N/A	N/A	N/A	N/A	N/A	N/A
	C90	E4	3.1	2.0	1.0	N/A	N/A	N/A	N/A	N/A	N/A
AS/NZS 2293.1:2018	C0	D2.5	0.0	N/A	N/A	N/A	N/A	N/A	N/A	N/A	N/A
	C90	E4	N/A	N/A	N/A	N/A	N/A	N/A	N/A	N/A	N/A

LOW TEMPERATURE EXIT 40M

AS/NZS Standard	Orientation	Classification	2.1M	2.4M	2.7M	3M	3.3M	3.6M	4M	4.5M	5M
AS/NZS 2293.1:2005	C0	E1.25	N/A	N/A	N/A	N/A	N/A	N/A	N/A	N/A	N/A
	C90	E1	N/A	N/A	N/A	N/A	N/A	N/A	N/A	N/A	N/A
AS/NZS 2293.1:2018	C0	E1.25	N/A	N/A	N/A	N/A	N/A	N/A	N/A	N/A	N/A
	C90	E1	N/A	N/A	N/A	N/A	N/A	N/A	N/A	N/A	N/A

VANDAL RESISTANT EXIT

AS/NZS Standard	Orientation	Classification	2.1M	2.4M	2.7M	3M	3.3M	3.6M	4M	4.5M	5M
AS/NZS 2293.1:2005	C0	D3.2	1.8	N/A	N/A	N/A	N/A	N/A	N/A	N/A	N/A
	C90	E8	4.6	4.6	4.6	4.2	3.2	2.3	N/A	N/A	N/A
AS/NZS 2293.1:2018	C0	D3.2	0.0	0.0	N/A	N/A	N/A	N/A	N/A	N/A	N/A
	C90	E8	4.6	4.7	4.6	0.0	0.0	0.0	N/A	N/A	N/A

CLEVEREVAC DYNAMIC SURFACE EXIT

AS/NZS Standard	Orientation	Classification	2.1M	2.4M	2.7M	3M	3.3M	3.6M	4M	4.5M	5M
AS/NZS 2293.1:2005	C0	E2.5	N/A	N/A	N/A	N/A	N/A	N/A	N/A	N/A	N/A
	C90	E1.6	N/A	N/A	N/A	N/A	N/A	N/A	N/A	N/A	N/A
AS/NZS 2293.1:2018	C0	E2.5	0.0	N/A	N/A	N/A	N/A	N/A	N/A	N/A	N/A
	C90	E1.6	N/A	N/A	N/A	N/A	N/A	N/A	N/A	N/A	N/A

CLEVEREVAC DYNAMIC BLADE EXIT

AS/NZS Standard	Orientation	Classification	2.1M	2.4M	2.7M	3M	3.3M	3.6M	4M	4.5M	5M
AS/NZS 2293.1:2005	C0	D5	3.3	3.0	2.0	1.1	N/A	N/A	N/A	N/A	N/A
	C0	E4	3.1	2.0	1.0	N/A	N/A	N/A	N/A	N/A	N/A
	C90	C25	5.8	6.0	6.2	6.4	6.4	6.5	6.4	6.3	6.0
	C90	C32	6.3	6.6	6.8	7.0	7.2	7.3	7.3	7.3	7.2
AS/NZS 2293.1:2018	C0	D5	3.4	0.0	0.0	0.0	N/A	N/A	N/A	N/A	N/A
	C0	E4	0.0	0.0	0.0	N/A	N/A	N/A	N/A	N/A	N/A
	C90	C25	5.9	6.1	6.3	6.4	6.5	6.5	6.5	6.3	6.0
	C90	C32	6.3	6.6	6.9	7.1	7.2	7.3	7.4	7.4	7.2

EMERGENCY LUMINAIRES

MAXIMUM SPACING AND MOUNTING HEIGHTS (BASED ON 1 LX)

1 lx

LIFELIGHT RECESSED & SURFACE MOUNT; INC WEATHERPROOF

AS/NZS Standard	Orientation	Classification	2.1m	2.4m	2.7m	3m	3.3m	3.6m	4m	4.5m	5m	6m	7m	8m	9m	10m
AS/NZS 2293.1:2005	CO	D40	9.3	9.6	9.8	10.0	10.1	10.2	10.3	10.2	10.1	9.4	8.2	4.8	N/A	N/A
	C90	D40	9.3	9.6	9.8	10.0	10.1	10.2	10.3	10.2	10.1	9.4	8.2	4.8	N/A	N/A
AS/NZS 2293.1:2018	CO	D40	9.4	9.7	9.9	10.1	10.2	10.3	10.3	10.3	10.1	9.5	0.0	0.0	N/A	N/A
	C90	D40	9.4	9.7	9.9	10.1	10.2	10.3	10.3	10.3	10.1	9.5	0.0	0.0	N/A	N/A

LIFELIGHT RECESSED & SURFACE MOUNT; INC CYLINDER & WEATHERPROOF

AS/NZS Standard	Orientation	Classification	2.1m	2.4m	2.7m	3m	3.3m	3.6m	4m	4.5m	5m	6m	7m	8m	9m	10m
AS/NZS 2293.1:2005	CO	D80	12.0	12.5	12.9	13.2	13.5	13.8	14.0	14.3	14.5	14.5	14.3	13.7	12.8	11.4
	C90	D80	12.0	12.5	12.9	13.2	13.5	13.8	14.0	14.3	14.5	14.5	14.3	13.7	12.8	11.4
AS/NZS 2293.1:2018	CO	D80	11.5	12.5	12.9	13.3	13.6	13.8	14.1	14.8	14.5	14.6	14.4	13.8	0.0	0.0
	C90	D80	11.5	12.5	12.9	13.3	13.6	13.8	14.1	14.8	14.5	14.6	14.4	13.8	0.0	0.0

LIFELIGHT IP44 RECESSED - L10 BATTERY

AS/NZS Standard	Orientation	Classification	2.1m	2.4m	2.7m	3m	3.3m	3.6m	4m	4.5m	5m	6m	7m	8m	9m	10m
AS/NZS 2293.1:2005	CO	D40	9.3	9.6	9.8	10.0	10.1	10.2	10.3	10.2	10.1	9.4	8.2	4.8	N/A	N/A
	C90	D40	9.3	9.6	9.8	10.0	10.1	10.2	10.3	10.2	10.1	9.4	8.2	4.8	N/A	N/A
AS/NZS 2293.1:2018	CO	D40	9.4	9.7	9.9	10.1	10.2	10.3	10.3	10.3	10.1	9.5	0.0	0.0	N/A	N/A
	C90	D40	9.4	9.7	9.9	10.1	10.2	10.3	10.3	10.3	10.1	9.5	0.0	0.0	N/A	N/A

LIFELIGHT IP44 RECESSED - LP BATTERY

AS/NZS Standard	Orientation	Classification	2.1m	2.4m	2.7m	3m	3.3m	3.6m	4m	4.5m	5m	6m	7m	8m	9m	10m
AS/NZS 2293.1:2005	CO	D50	10.1	10.5	10.8	11.0	11.2	11.3	11.4	11.5	11.5	11.1	10.2	8.6	5.2	N/A
	C90	D50	10.1	10.5	10.8	11.0	11.2	11.3	11.4	11.5	11.5	11.1	10.2	8.6	5.2	N/A
AS/NZS 2293.1:2018	CO	D50	10.2	10.5	10.8	11.0	11.2	11.4	11.5	11.5	11.5	11.1	10.3	0.0	0.0	N/A
	C90	D50	10.2	10.5	10.8	11.0	11.2	11.4	11.5	11.5	11.5	11.1	10.3	0.0	0.0	N/A

LIFELIGHT PRO WEATHERPROOF (REMOTE PACK)

AS/NZS Standard	Orientation	Classification	2.1m	2.4m	2.7m	3m	3.3m	3.6m	4m	4.5m	5m	6m	7m	8m	9m	10m
AS/NZS 2293.1:2005	CO	D40	9.3	9.6	9.8	10.0	10.1	10.2	10.3	10.2	10.1	9.4	8.2	4.8	N/A	N/A
	C90	D40	9.3	9.6	9.8	10.0	10.1	10.2	10.3	10.2	10.1	9.4	8.2	4.8	N/A	N/A
AS/NZS 2293.1:2018	CO	D40	9.4	9.7	9.9	10.1	10.2	10.3	10.3	10.3	10.1	9.5	0.0	0.0	N/A	N/A
	C90	D40	9.4	9.7	9.9	10.1	10.2	10.3	10.3	10.3	10.1	9.5	0.0	0.0	N/A	N/A

LIFELIGHT PRO WEATHERPROOF (INTEGRAL PACK)

AS/NZS Standard	Orientation	Classification	2.1m	2.4m	2.7m	3m	3.3m	3.6m	4m	4.5m	5m	6m	7m	8m	9m	10m
AS/NZS 2293.1:2005	CO	D50	10.1	10.5	10.8	11.0	11.2	11.3	11.4	11.5	11.5	11.1	10.2	8.6	5.2	N/A
	C90	D50	10.1	10.5	10.8	11.0	11.2	11.3	11.4	11.5	11.5	11.1	10.2	8.6	5.2	N/A
AS/NZS 2293.1:2018	CO	D50	10.2	10.5	10.8	11.0	11.2	11.4	11.5	11.5	11.5	11.1	10.3	0.0	0.0	N/A
	C90	D50	10.2	10.5	10.8	11.0	11.2	11.4	11.5	11.5	11.5	11.1	10.3	0.0	0.0	N/A

LIFELIGHT PRO WEATHERPROOF CYLINDER

AS/NZS Standard	Orientation	Classification	2.1m	2.4m	2.7m	3m	3.3m	3.6m	4m	4.5m	5m	6m	7m	8m	9m	10m
AS/NZS 2293.1:2005	CO	D50	10.1	10.5	10.8	11.0	11.2	11.3	11.4	11.5	11.5	11.1	10.2	8.6	5.2	N/A
	C90	D50	10.1	10.5	10.8	11.0	11.2	11.3	11.4	11.5	11.5	11.1	10.2	8.6	5.2	N/A
AS/NZS 2293.1:2018	CO	D50	10.2	10.5	10.8	11.0	11.2	11.4	11.5	11.5	11.5	11.1	10.3	0.0	0.0	N/A
	C90	D50	10.2	10.5	10.8	11.0	11.2	11.4	11.5	11.5	11.5	11.1	10.3	0.0	0.0	N/A

EMERGENCY LUMINAIRES

MAXIMUM SPACING AND MOUNTING HEIGHTS (BASED ON 1 LX)

1 lx

WEATHERPROOF EMERGENCY POD (LIFELIGHT)

AS/NZS Standard	Orientation	Classification	2.1m	2.4m	2.7m	3m	3.3m	3.6m	4m	4.5m	5m	6m	7m	8m	9m	10m
AS/NZS 2293.1:2005	C0	D40	9.3	9.6	9.8	10.0	10.1	10.2	10.3	10.2	10.1	9.4	8.2	4.8	N/A	N/A
	C90	D40	9.3	9.6	9.8	10.0	10.1	10.2	10.3	10.2	10.1	9.4	8.2	4.8	N/A	N/A
AS/NZS 2293.1:2018	C0	D40	9.4	9.7	9.9	10.1	10.2	10.3	10.3	10.3	10.1	9.5	0.0	0.0	N/A	N/A
	C90	D40	9.4	9.7	9.9	10.1	10.2	10.3	10.3	10.3	10.1	9.5	0.0	0.0	N/A	N/A

WEATHERPROOF EMERGENCY POD (LIFELIGHT PRO)

AS/NZS Standard	Orientation	Classification	2.1m	2.4m	2.7m	3m	3.3m	3.6m	4m	4.5m	5m	6m	7m	8m	9m	10m
AS/NZS 2293.1:2005	C0	D80	12	12.5	12.9	13.2	13.5	13.8	14	14.3	14.5	14.5	14.3	13.7	12.8	11.4
	C90	D80	12	12.5	12.9	13.2	13.5	13.8	14	14.3	14.5	14.5	14.3	13.7	12.8	11.4
AS/NZS 2293.1:2018	C0	D80	11.5	12.5	12.9	13.3	13.6	13.8	14.1	14.4	14.5	14.6	14.4	13.8	0.0	0.0
	C90	D80	11.5	12.5	12.9	13.3	13.6	13.8	14.1	14.4	14.5	14.6	14.4	13.8	0.0	0.0

WEATHERPROOF EMERGENCY POD (TWIN LIFELIGHT PRO)

AS/NZS Standard	Orientation	Classification	2.1m	2.4m	2.7m	3m	3.3m	3.6m	4m	4.5m	5m	6m	7m	8m	9m	10m
AS/NZS 2293.1:2005	C0	D160	15.3	16.0	16.6	17.1	17.5	17.9	18.4	19.0	19.4	20.1	20.5	20.6	20.5	20.2
	C90	D160	15.3	16.0	16.6	17.1	17.5	17.9	18.4	19.0	19.4	20.1	20.5	20.6	20.5	20.2
AS/NZS 2293.1:2018	C0	D160	11.5	13.2	14.8	16.5	17.6	18.0	18.5	19.0	19.5	20.1	20.5	20.7	20.6	20.3
	C90	D160	11.5	13.2	14.8	16.5	17.6	18.0	18.5	19.0	19.5	20.1	20.5	20.7	20.6	20.3

CIRCLITE

AS/NZS Standard	Orientation	Classification	2.1m	2.4m	2.7m	3m	3.3m	3.6m	4m	4.5m	5m	6m	7m	8m	9m	10m
AS/NZS 2293.1:2005	C0	D32	8.5	8.8	9.0	9.1	9.2	9.2	9.2	9.0	8.7	7.7	4.7	N/A	N/A	N/A
	C90	D32	8.5	8.8	9.0	9.1	9.2	9.2	9.2	9.0	8.7	7.7	4.7	N/A	N/A	N/A
AS/NZS 2293.1:2018	C0	D32	8.6	8.8	9.0	9.1	9.2	9.2	9.2	9.0	8.8	0.0	0.0	N/A	N/A	N/A
	C90	D32	8.6	8.8	9.0	9.1	9.2	9.2	9.2	9.0	8.8	0.0	0.0	N/A	N/A	N/A

PREMIUM CIRCLITE

AS/NZS Standard	Orientation	Classification	2.1m	2.4m	2.7m	3m	3.3m	3.6m	4m	4.5m	5m	6m	7m	8m	9m	10m
AS/NZS 2293.1:2005	C0	D25	7.7	7.9	8.0	8.1	8.1	8.1	7.9	7.6	7.2	4.8	1.1	N/A	N/A	N/A
	C90	D25	7.7	7.9	8.0	8.1	8.1	8.1	7.9	7.6	7.2	4.8	1.1	N/A	N/A	N/A
AS/NZS 2293.1:2018	C0	D25	7.8	8.0	8.1	8.2	8.2	8.1	8.0	7.7	7.2	0.0	0.0	N/A	N/A	N/A
	C90	D25	7.8	8.0	8.1	8.2	8.2	8.1	8.0	7.7	7.2	0.0	0.0	0.0	0.0	N/A

ARGONAUT SQUARE

AS/NZS Standard	Orientation	Classification	2.1m	2.4m	2.7m	3m	3.3m	3.6m	4m	4.5m	5m	6m	7m	8m	9m	10m
AS/NZS 2293.1:2005	C0	D63	11.0	11.4	11.8	12.1	12.3	12.5	12.7	12.8	12.9	12.8	12.2	11.3	9.6	6.1
	C90	D63	11.0	11.4	11.8	12.1	12.3	12.5	12.7	12.8	12.9	12.8	12.2	11.3	9.6	6.1
AS/NZS 2293.1:2018	C0	D63	11.1	11.5	11.8	12.1	12.3	12.5	12.7	12.9	13	12.8	12.3	0.0	0.0	0.0
	C90	D63	11.1	11.5	11.8	12.1	12.3	12.5	12.7	12.9	13	12.8	12.3	0.0	0.0	0.0

BUNKALITE

AS/NZS Standard	Orientation	Classification	2.1m	2.4m	2.7m	3m	3.3m	3.6m	4m	4.5m	5m	6m	7m	8m	9m	10m
AS/NZS 2293.1:2005	C0	D25	7.7	7.9	8.0	8.1	8.1	8.1	7.9	7.6	7.2	4.8	1.1	N/A	N/A	N/A
	C90	D25	7.7	7.9	8.0	8.1	8.1	8.1	7.9	7.6	7.2	4.8	1.1	N/A	N/A	N/A
AS/NZS 2293.1:2018	C0	D25	7.8	8.0	8.1	8.2	8.2	8.1	8.0	7.7	7.2	0.0	0.0	N/A	N/A	N/A
	C90	D25	7.8	8.0	8.1	8.2	8.2	8.1	8.0	7.7	7.2	0.0	0.0	N/A	N/A	N/A

EMERGENCY LUMINAIRES

MAXIMUM SPACING AND MOUNTING HEIGHTS (BASED ON 1 LX)

1 lx

LOW TEMPERATURE EMERGENCY (-25C)

AS/NZS Standard	Orientation	Classification	2.1m	2.4m	2.7m	3m	3.3m	3.6m	4m	4.5m	5m	6m	7m	8m	9m	10m
AS/NZS 2293.1:2005	C0	D50	10.1	10.5	10.8	11.0	11.2	11.3	11.4	11.5	11.5	11.1	10.2	8.6	5.2	N/A
	C90	D50	10.1	10.5	10.8	11.0	11.2	11.3	11.4	11.5	11.5	11.1	10.2	8.6	5.2	N/A
AS/NZS 2293.1:2018	C0	D50	10.2	10.5	10.8	11.0	11.2	11.4	11.5	11.5	11.5	11.1	10.3	0.0	0.0	N/A
	C90	D50	10.2	10.5	10.8	11.0	11.2	11.4	11.5	11.5	11.5	11.1	10.3	0.0	0.0	N/A

LOW TEMPERATURE EMERGENCY (-40C)

AS/NZS Standard	Orientation	Classification	2.1m	2.4m	2.7m	3m	3.3m	3.6m	4m	4.5m	5m	6m	7m	8m	9m	10m
AS/NZS 2293.1:2005	C0	D63	11.0	11.4	11.8	12.1	12.3	12.5	12.7	12.8	12.9	12.8	12.2	11.3	9.6	6.1
	C90	D63	11.0	11.4	11.8	12.1	12.3	12.5	12.7	12.8	12.9	12.8	12.2	11.3	9.6	6.1
AS/NZS 2293.1:2018	C0	D63	11.1	11.5	11.8	12.1	12.3	12.5	12.7	12.9	13.0	12.8	12.3	0.0	0.0	0.0
	C90	D63	11.1	11.5	11.8	12.1	12.3	12.5	12.7	12.9	13.0	12.8	12.3	0.0	0.0	0.0

BATTEN LUMINAIRES

MAXIMUM SPACING AND MOUNTING HEIGHTS (BASED ON 1 LX)

1 lx

ARGO WEATHERPROOF 600MM

AS/NZS Standard	Orientation	Classification	2.1m	2.4m	2.7m	3m	3.3m	3.6m	4m	4.5m	5m	6m	7m	8m	9m	10m
AS/NZS 2293.1:2005	C0	D40	9.3	9.6	9.8	10	10.1	10.2	10.3	10.2	10.1	9.4	8.2	4.8	N/A	N/A
	C90	D25	7.7	7.9	8.0	8.1	8.1	8.1	7.9	7.6	7.2	4.8	1.1	N/A	N/A	N/A
AS/NZS 2293.1:2018	C0	D40	9.4	9.7	9.9	10.1	10.2	10.3	10.3	10.3	10.1	9.5	0.0	0.0	N/A	N/A
	C90	D25	7.8	8.0	8.1	8.2	8.2	8.1	8.0	7.7	7.2	0.0	0.0	N/A	N/A	N/A

ARGO WEATHERPROOF 1200MM (EL)

AS/NZS Standard	Orientation	Classification	2.1m	2.4m	2.7m	3m	3.3m	3.6m	4m	4.5m	5m	6m	7m	8m	9m	10m
AS/NZS 2293.1:2005	C0	D40	9.3	9.6	9.8	10	10.1	10.2	10.3	10.2	10.1	9.4	8.2	4.8	N/A	N/A
	C90	D25	7.7	7.9	8.0	8.1	8.1	8.1	7.9	7.6	7.2	4.8	1.1	N/A	N/A	N/A
AS/NZS 2293.1:2018	C0	D40	9.4	9.7	9.9	10.1	10.2	10.3	10.3	10.3	10.1	9.5	0.0	0.0	N/A	N/A
	C90	D25	7.8	8.0	8.1	8.2	8.2	8.1	8.0	7.7	7.2	0.0	0.0	N/A	N/A	N/A

ARGO WEATHERPROOF 1200MM (LP)

AS/NZS Standard	Orientation	Classification	2.1m	2.4m	2.7m	3m	3.3m	3.6m	4m	4.5m	5m	6m	7m	8m	9m	10m
AS/NZS 2293.1:2005	C0	D63	11.0	11.4	11.8	12.1	12.3	12.5	12.7	12.8	12.9	12.8	12.2	11.3	9.6	6.1
	C90	D40	9.3	9.6	9.8	10	10.1	10.2	10.3	10.2	10.1	9.4	8.2	4.8	N/A	N/A
AS/NZS 2293.1:2018	C0	D63	11.1	11.5	11.8	12.1	12.3	12.5	12.7	12.9	13.0	12.8	12.3	0.0	0.0	0.0
	C90	D40	9.4	9.7	9.9	10.1	10.2	10.3	10.3	10.3	10.1	9.5	0.0	0.0	N/A	N/A

ARGONAUT PLUS 600MM (INTEGRAL BATTERY)

AS/NZS Standard	Orientation	Classification	2.1m	2.4m	2.7m	3m	3.3m	3.6m	4m	4.5m	5m	6m	7m	8m	9m	10m
AS/NZS 2293.1:2005	C0	D40	9.3	9.6	9.8	10	10.1	10.2	10.3	10.2	10.1	9.4	8.2	4.8	N/A	N/A
	C90	D25	7.7	7.9	8.0	8.1	8.1	8.1	7.9	7.6	7.2	4.8	1.1	N/A	N/A	N/A
AS/NZS 2293.1:2018	C0	D40	9.4	9.7	9.9	10.1	10.2	10.3	10.3	10.3	10.1	9.5	0.0	0.0	N/A	N/A
	C90	D25	7.8	8.0	8.1	8.2	8.2	8.1	8.0	7.7	7.2	0.0	0.0	N/A	N/A	N/A

ARGONAUT PLUS 1200MM & 1500MM (INTEGRAL BATTERY)

AS/NZS Standard	Orientation	Classification	2.1m	2.4m	2.7m	3m	3.3m	3.6m	4m	4.5m	5m	6m	7m	8m	9m	10m
AS/NZS 2293.1:2005	C0	D63	11.0	11.4	11.8	12.1	12.3	12.5	12.7	12.8	12.9	12.8	12.2	11.3	9.6	6.1
	C90	D40	9.3	9.6	9.8	10.0	10.1	10.2	10.3	10.2	10.1	9.4	8.2	4.8	N/A	N/A
AS/NZS 2293.1:2018	C0	D63	11.1	11.5	11.8	12.1	12.3	12.5	12.7	12.9	13.0	12.8	12.3	0.0	0.0	0.0
	C90	D40	9.4	9.7	9.9	10.1	10.2	10.3	10.3	10.3	10.1	9.5	0.0	0.0	N/A	N/A

ARGONAUT PLUS 600MM, 1200MM & 1500MM (POD)

AS/NZS Standard	Orientation	Classification	2.1m	2.4m	2.7m	3m	3.3m	3.6m	4m	4.5m	5m	6m	7m	8m	9m	10m
AS/NZS 2293.1:2005	C0	D80	12.0	12.5	12.9	13.2	13.5	13.8	14.0	14.3	14.5	14.5	14.3	13.7	12.8	11.4
	C90	D80	12.0	12.5	12.9	13.2	13.5	13.8	14.0	14.3	14.5	14.5	14.3	13.7	12.8	11.4
AS/NZS 2293.1:2018	C0	D80	11.5	12.5	12.9	13.3	13.6	13.8	14.1	14.4	14.5	14.6	14.4	13.8	0.0	0.0
	C90	D80	11.5	12.5	12.9	13.3	13.6	13.8	14.1	14.4	14.5	14.6	14.4	13.8	0.0	0.0

ARGONAUT PRO 600MM, 1200MM & 1500MM (INTEGRAL BATTERY)

AS/NZS Standard	Orientation	Classification	2.1m	2.4m	2.7m	3m	3.3m	3.6m	4m	4.5m	5m	6m	7m	8m	9m	10m
AS/NZS 2293.1:2005	C0	D63	11.0	11.4	11.8	12.1	12.3	12.5	12.7	12.8	12.9	12.8	12.2	11.3	9.6	6.1
	C90	D40	9.3	9.6	9.8	10.0	10.1	10.2	10.3	10.2	10.1	9.4	8.2	4.8	N/A	N/A
AS/NZS 2293.1:2018	C0	D63	11.1	11.5	11.8	12.1	12.3	12.5	12.7	12.9	13.0	12.8	12.3	0.0	0.0	0.0
	C90	D40	9.4	9.7	9.9	10.1	10.2	10.3	10.3	10.3	10.1	9.5	0.0	0.0	N/A	N/A

BATTEN LUMINAIRES

MAXIMUM SPACING AND MOUNTING HEIGHTS (BASED ON 1 LX)

1 lx

ARGONAUT PRO 600MM, 1200MM & 1500MM (POD)

AS/NZS Standard	Orientation	Classification	2.1m	2.4m	2.7m	3m	3.3m	3.6m	4m	4.5m	5m	6m	7m	8m	9m	10m
AS/NZS 2293.1:2005	CO	D80	12.0	12.5	12.9	13.2	13.5	13.8	14.0	14.3	14.5	14.5	14.3	13.7	12.8	11.4
	C90	D80	12.0	12.5	12.9	13.2	13.5	13.8	14.0	14.3	14.5	14.5	14.3	13.7	12.8	11.4
AS/NZS 2293.1:2018	CO	D80	11.5	12.5	12.9	13.3	13.6	13.8	14.1	14.4	14.5	14.6	14.4	13.8	0.0	0.0
	C90	D80	11.5	12.5	12.9	13.3	13.6	13.8	14.1	14.4	14.5	14.6	14.4	13.8	0.0	0.0

ARGONAUT VANDAL RESISTANT 600MM

AS/NZS Standard	Orientation	Classification	2.1m	2.4m	2.7m	3m	3.3m	3.6m	4m	4.5m	5m	6m	7m	8m	9m	10m
AS/NZS 2293.1:2005	CO	D63	11.0	11.4	11.8	12.1	12.3	12.5	12.7	12.8	12.9	12.8	12.2	11.3	9.6	6.1
	C90	D32	8.5	8.8	9.0	9.1	9.2	9.2	9.2	9.0	8.7	7.7	4.7	N/A	N/A	N/A
AS/NZS 2293.1:2018	CO	D63	11.1	11.5	11.8	12.1	12.3	12.5	12.7	12.9	13.0	12.8	12.3	0.0	0.0	0.0
	C90	D32	8.6	8.8	9.0	9.1	9.2	9.2	9.2	9.0	8.8	0.0	0.0	N/A	N/A	N/A

ARGONAUT VANDAL RESISTANT 1200MM

AS/NZS Standard	Orientation	Classification	2.1m	2.4m	2.7m	3m	3.3m	3.6m	4m	4.5m	5m	6m	7m	8m	9m	10m
AS/NZS 2293.1:2005	CO	D100	13.0	13.5	14.0	14.4	14.7	15.0	15.4	15.7	16.0	16.3	16.2	15.9	15.3	14.4
	C90	D50	10.1	10.5	10.8	11.0	11.2	11.3	11.4	11.5	11.5	11.1	10.2	8.6	5.2	N/A
AS/NZS 2293.1:2018	CO	D100	11.5	13.2	14.0	14.4	14.8	15.1	15.4	15.8	16.0	16.3	16.3	16.0	15.4	14.4
	C90	D50	10.2	10.5	10.8	11.0	11.2	11.4	11.5	11.5	11.5	11.1	10.3	0.0	0.0	N/A

EPIC 600MM& 1200MM (INTEGRAL BATTERY)

AS/NZS Standard	Orientation	Classification	2.1m	2.4m	2.7m	3m	3.3m	3.6m	4m	4.5m	5m	6m	7m	8m	9m	10m
AS/NZS 2293.1:2005	CO	D40	9.3	9.6	9.8	10.0	10.1	10.2	10.3	10.2	10.1	9.4	8.2	4.8	N/A	N/A
	C90	D25	7.7	7.9	8.0	8.1	8.1	8.1	7.9	7.6	7.2	4.8	1.1	N/A	N/A	N/A
AS/NZS 2293.1:2018	CO	D40	9.4	9.7	9.9	10.1	10.2	10.3	10.3	10.3	10.1	9.5	0.0	0.0	N/A	N/A
	C90	D25	7.8	8.0	8.1	8.2	8.2	8.1	8.0	7.7	7.2	0.0	0.0	N/A	N/A	N/A

EPIC 1200MM (LP BATTERY)

AS/NZS Standard	Orientation	Classification	2.1m	2.4m	2.7m	3m	3.3m	3.6m	4m	4.5m	5m	6m	7m	8m	9m	10m
AS/NZS 2293.1:2005	CO	D63	11.0	11.4	11.8	12.1	12.3	12.5	12.7	12.8	12.9	12.8	12.2	11.3	9.6	6.1
	C90	D40	9.3	9.6	9.8	10.0	10.1	10.2	10.3	10.2	10.1	9.4	8.2	4.8	N/A	N/A
AS/NZS 2293.1:2018	CO	D63	11.1	11.5	11.8	12.1	12.3	12.5	12.7	12.9	13.0	12.8	12.3	0.0	0.0	0.0
	C90	D40	9.4	9.7	9.9	10.1	10.2	10.3	10.3	10.3	10.1	9.5	0.0	0.0	N/A	N/A

ODYSSEY DIFFUSED 600MM (INTEGRAL BATTERY)

AS/NZS Standard	Orientation	Classification	2.1m	2.4m	2.7m	3m	3.3m	3.6m	4m	4.5m	5m	6m	7m	8m	9m	10m
AS/NZS 2293.1:2005	CO	D50	10.1	10.5	10.8	11.0	11.2	11.3	11.4	11.5	11.5	11.1	10.2	8.6	5.2	N/A
	C90	C50	7.2	7.6	8.0	8.3	8.5	8.7	8.9	9.1	9.2	9.0	8.5	6.9	4.3	N/A
AS/NZS 2293.1:2018	CO	D50	10.2	10.5	10.8	11.0	11.2	11.4	11.5	11.5	11.5	11.1	10.3	0.0	0.0	N/A
	C90	C50	7.3	7.7	8.0	8.3	8.6	8.8	9.0	9.1	9.2	9.1	8.6	0.0	0.0	N/A

ODYSSEY DIFFUSED 1200MM (INTEGRAL BATTERY)

AS/NZS Standard	Orientation	Classification	2.1m	2.4m	2.7m	3m	3.3m	3.6m	4m	4.5m	5m	6m	7m	8m	9m	10m
AS/NZS 2293.1:2005	CO	D50	10.1	10.5	10.8	11.0	11.2	11.3	11.4	11.5	11.5	11.1	10.2	8.6	5.2	N/A
	C90	D16	6.4	6.5	6.5	6.4	6.3	6.1	5.7	5.0	3.2	N/A	N/A	N/A	N/A	N/A
AS/NZS 2293.1:2018	CO	D50	10.2	10.5	10.8	11.0	11.2	11.4	11.5	11.5	11.5	11.1	10.3	0.0	0.0	N/A
	C90	D16	6.5	6.5	6.5	6.5	6.3	6.1	5.8	0.0	0.0	N/A	N/A	N/A	N/A	N/A

BATTEN LUMINAIRE

MAXIMUM SPACING AND MOUNTING HEIGHTS (BASED ON 1 LX)

1 lx

ODYSSEY DIFFUSED 600MM & 1200MM (POD)

AS/NZS Standard	Orientation	Classification	2.1m	2.4m	2.7m	3m	3.3m	3.6m	4m	4.5m	5m	6m	7m	8m	9m	10m
AS/NZS 2293.1:2005	C0	D40	9.3	9.6	9.8	10.0	10.1	10.2	10.3	10.2	10.1	9.4	8.2	4.8	N/A	N/A
	C90	D40	9.3	9.6	9.8	10.0	10.1	10.2	10.3	10.2	10.1	9.4	8.2	4.8	N/A	N/A
AS/NZS 2293.1:2018	C0	D40	9.4	9.7	9.9	10.1	10.2	10.3	10.3	10.3	10.1	9.5	0.0	0.0	N/A	N/A
	C90	D40	9.4	9.7	9.9	10.1	10.2	10.3	10.3	10.3	10.1	9.5	0.0	0.0	N/A	N/A

ODYSSEY WIREGUARD 600MM & 1200MM

AS/NZS Standard	Orientation	Classification	2.1m	2.4m	2.7m	3m	3.3m	3.6m	4m	4.5m	5m	6m	7m	8m	9m	10m
AS/NZS 2293.1:2005	C0	D40	9.3	9.6	9.8	10.0	10.1	10.2	10.3	10.2	10.1	9.4	8.2	4.8	N/A	N/A
	C90	D40	9.3	9.6	9.8	10.0	10.1	10.2	10.3	10.2	10.1	9.4	8.2	4.8	N/A	N/A
AS/NZS 2293.1:2018	C0	D40	9.4	9.7	9.9	10.1	10.2	10.3	10.3	10.3	10.1	9.5	0.0	0.0	N/A	N/A
	C90	D40	9.4	9.7	9.9	10.1	10.2	10.3	10.3	10.3	10.1	9.5	0.0	0.0	N/A	N/A

BARE EMERGENCY 600MM & 1200MM (EL & LP)

AS/NZS Standard	Orientation	Classification	2.1m	2.4m	2.7m	3m	3.3m	3.6m	4m	4.5m	5m	6m	7m	8m	9m	10m
AS/NZS 2293.1:2005	C0	D40	9.3	9.6	9.8	10.0	10.1	10.2	10.3	10.2	10.1	9.4	8.2	4.8	N/A	N/A
	C90	D40	9.3	9.6	9.8	10.0	10.1	10.2	10.3	10.2	10.1	9.4	8.2	4.8	N/A	N/A
AS/NZS 2293.1:2018	C0	D40	9.4	9.7	9.9	10.1	10.2	10.3	10.3	10.3	10.1	9.5	0.0	0.0	N/A	N/A
	C90	D40	9.4	9.7	9.9	10.1	10.2	10.3	10.3	10.3	10.1	9.5	0.0	0.0	N/A	N/A

BARE EMERGENCY 600MM & 1200MM (L10)

AS/NZS Standard	Orientation	Classification	2.1m	2.4m	2.7m	3m	3.3m	3.6m	4m	4.5m	5m	6m	7m	8m	9m	10m
AS/NZS 2293.1:2005	C0	D80	12.0	12.5	12.9	13.2	13.5	13.8	14.0	14.3	14.5	14.5	14.3	13.7	12.8	11.4
	C90	D80	12.0	12.5	12.9	13.2	13.5	13.8	14.0	14.3	14.5	14.5	14.3	13.7	12.8	11.4
AS/NZS 2293.1:2018	C0	D80	11.5	12.5	12.9	13.3	13.6	13.8	14.1	14.4	14.5	14.6	14.4	13.8	0.0	0.0
	C90	D80	11.5	12.5	12.9	13.3	13.6	13.8	14.1	14.4	14.5	14.6	14.4	13.8	0.0	0.0

BARE EMERGENCY TWIN 600MM & 1200MM (LP & L10)

AS/NZS Standard	Orientation	Classification	2.1m	2.4m	2.7m	3m	3.3m	3.6m	4m	4.5m	5m	6m	7m	8m	9m	10m
AS/NZS 2293.1:2005	C0	D160	15.3	16.0	16.6	17.1	17.5	17.9	18.4	19.0	19.4	20.1	20.5	20.6	20.5	20.2
	C90	D160	15.3	16.0	16.6	17.1	17.5	17.9	18.4	19.0	19.4	20.1	20.5	20.6	20.5	20.2
AS/NZS 2293.1:2018	C0	D160	11.5	13.2	14.8	16.5	17.6	18.0	18.5	19.0	19.5	20.1	20.5	20.7	20.6	20.3
	C90	D160	11.5	13.2	14.8	16.5	17.6	18.0	18.5	19.0	19.5	20.1	20.5	20.7	20.6	20.3

Emergency Lighting Modes of Operation

The following table outlines the different modes that exit and emergency lighting fittings can operate in. Contact us if you would like some assistance in selecting the right mode for your application.

Emergency Operating Modes

Maintained

An emergency luminaire in which the lamp is energised at all times. The lamp is ON when there is power present and is ON during a power failure.

EXAMPLES: Exit signs. Single lamp fluoro batters used in plant rooms to function as both general lighting and the emergency lighting.



POWER ON



POWER OFF



Non-Maintained

An emergency luminaire in which the lamp(s) are only in operation during a power fail.

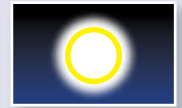
EXAMPLE: Single lamp: Lifelight emergency luminaires.



POWER ON



POWER OFF



EXAMPLE: Twin lamp: Supalite floods, often used in factory units and only operate in the event of a power fail.



POWER ON



POWER OFF



Sustained

An emergency luminaire typically containing two lamps, one of which is in operation while there is power present, and the other "non-maintained" lamp only energised during a power fail. Also known as Combined Non-Maintained.

EXAMPLE 1: LED TUBE or LED strip batten with separate dedicated LED emergency pod.



POWER ON



POWER OFF



EXAMPLE 2: LED Strip batten with dedicated separate internal LED's with emergency battery back up.



Chemical Resistance Table

Construction Materials	Body	Diffuser
ARGO	PC	PC
Argonaut PLUS & PRO	PC	PC
Argonaut PRO CHEM	GRP	PC or Acrylic

- Resistant
- Semi-resistant
- ✘ Not resistant

Ambient temperature at 20°C

Chemical Specifics	Polycarbonate (PC)	Acrylic (PMMA)	Glass Fibre Reinforced Plastic (GRP)
Accumulator acid	■	●	●
Acetic acid <15%	●	●	●
Alcohol <30%	●	●	●
Alcohol concentrate	●	✘	✘
Ammonia <25%	■	●	■
Aromatic hydrocarbons	■	●	■
Benzene	✘	✘	■
Carbon dioxide	●	●	●
Carbon monoxide	●	●	●
Carbon tetrachloride	●	■	■
Caustic soda <2%	✘	●	■
Common salt (Sodium chloride)	■	●	●
Cooking oil (Animal fat – but not pork)	✘	●	●
Cooking oil (Cold)	●	●	●
Cooking oil (Hot)	✘	●	●
Cooking oil (Pork fat)	✘	●	●
Cooking oil (Vegetable)	✘	●	●
Crude oil	■	●	●
Diesel oil	■	●	●
Ethyl Acetate	●	✘	✘
Glycerine	■	●	●
Glycol	●	●	●
Hydrocarbons	■	■	■
Hydrochloric acid <10%	●	●	●
Hydrogen peroxide <40%	■	●	✘
Hydrogen sulphide	●	●	●
Kerosene/paraffin oil	✘	●	●
Ketones	●	✘	✘
Methanol	●	✘	✘
Milk of lime (Limewater)	■	●	●
Nitric acid <5%	●	●	●
Nitric acid <30%	■	■	■
Oil (Hydraulic)	✘	●	●
Oil (Lubricating)	✘	●	●
Oil based paint	✘	●	●
Petrol	●	●	●
Pyridine	●	✘	✘
Sea water	●	●	●
Soap suds	■	●	●
Soda	●	●	●
Sulphuric acid <30%	●	●	●
Sulphuric acid concentrate	✘	✘	■
Sulphurous acid <5%	✘	●	■
Synthetic detergent	●	●	●
Turpentine	●	●	●

I'm responsible for a smart emergency lighting system – what are some important things I need to know?

Once a construction or refurbishment has been completed and the defects period is over, the installation team including the builder and installing contractor will move on and leave the ongoing maintenance to a new party. If this is you, you'll need to know what you've got and how to ensure its performance.

Repairs and replacements

In years to come, when the system reports what replacements are required, the availability and backwards compatibility of new fittings and components will be vital. If today's system is upgraded, it is especially important to ensure the system manufacturer has a history of supporting product into the future.

Latest software

Speaking of sophisticated reporting, the smart generation of emergency lighting systems can be updated remotely by the manufacturer. Regular firmware updates will ensure your system operates with the latest tools and ensure your system is current.

Training and support

Getting to know the system you've inherited can be a challenge if there's a lack of local support. Leading providers will have free training that accompanies the system - not who bought or designed it. In this way, essential training and information will be proactively delivered to you. Emergency lighting systems must perform when needed so local support is a critical part of the package.

Leading the way

If you're looking at a Clevertronics system, then you're in luck because our Advantage Lifetime Support (ALS) programme is an integral part of any Zoneworks XT system regardless of who's responsible for it.

Clevertronics proactively ensures training happens and systems are reliable, current and scalable. We leave the maintenance to you, but help you get the most out of your system with full training and support.

How often should emergency lighting be tested and what impact does incorrect testing have on battery life?

Twice a year. Testing and the required repairs or replacements are required to be carried out at intervals **no greater than 6 months**. The inspection and maintenance procedures are detailed in AS/NZS 2293 Part 2, but basically involves a discharge duration test and inspection to identify fittings that require maintenance.

The **discharge test** involves simulating a power fail and can be manually initiated via a test switch/timer at the switchboard, or automatically initiated by self-testing fittings or computerised testing systems which provide detailed reporting and maintenance records.

Battery life

It is not so much “incorrect testing” that will shorten the life of a battery. Nickel Cadmium (NiCd) and Nickel Metal Hydride (NiMH) batteries should be discharged to full cut-out to maximise the calendar life of the battery, because partial or shallow discharging of these types of batteries result in a **memory effect** - a faster loss of capacity over time.

Lithium Ion batteries do not suffer from a memory effect and also can be discharged many more times without affecting the life of the battery. The Lithium Iron Phosphate and Lithium Nanophosphate battery technology in Clevertronics fittings benefit from these and many other advantages against the older NiCd and NiMH battery technology.

What are the best lithium batteries for emergency lighting?

Not all Lithium Ion batteries are the same or perform in the same way as different applications prioritise different performance characteristics. For emergency lighting, the three main priorities are Safety, Performance and Environmental Impact.

Here's four widely used but different Lithium Ion technologies:

- Lithium Cobalt Oxide (LCO): Very high energy density makes it small and light for mobile phones, laptops and digital cameras. The downside is poor thermal stability and can vent with flame under abuse, short-circuit or thermal runaway. Less harmful to the environment than Nickel Cadmium but contains toxic heavy metals (not used by Clevertronics).
- Lithium Nickel Manganese Cobalt Oxide (NMC): A newer technology variant of LCO with high energy density but improved thermal stability. Will vent with flame but at a higher temperature trigger point. Rapidly gaining uptake in electric vehicles and other larger format applications. Also cheap but contains toxic heavy metals (not used by Clevertronics).
- Lithium Iron Phosphate (LFP): Slightly lower energy density but significantly higher thermal stability and will not vent with flame. Lower capacity loss over time has made it popular for large format energy storage applications, electric vehicles and portable power tools. No toxic heavy metals.
- Lithium Nanophosphate (LNP): A variant on LFP with even better thermal stability and lower capacity loss over time at full state of charge at elevated temperatures. Used in large format energy storage, electric vehicles and high-end power tools. No toxic heavy metals or carcinogens.

There is significant variance in the manufacturing quality of lithium batteries, so choose products from a reputable supplier with a track record for quality and the data to back it up. In the real world, L10 products have delivered in the field since their introduction in 2012. The inherent safety and performance over time at full state of charge make LFP and LNP the superior choice for our products, and with the lowest environmental impact.

At Clevertronics we select the highest quality LFP batteries for our LP range, and our L10 Optimum range leads the market using Lithium Nanophosphate technology (LNP).

Victoria

1 Caribbean Drive
Scoresby VIC 3179
Phone: +61 3 9559 2700
Fax: +61 3 9559 2799
Email: vicsales@clevertronics.com.au

New South Wales

9 Distribution Place
Seven Hills NSW 2147
Phone: +61 2 8805 6400
Fax: +61 2 8805 6444
Email: nswsales@clevertronics.com.au

Queensland

2/8-12 Monte-Khoury Drive
Loganholme QLD 4129
Phone: +61 7 3442 9700
Fax: +61 7 3442 9777
Email: qldsales@clevertronics.com.au

Western Australia

12 Milly Court
Malaga WA 6090
Phone: +61 8 9207 0000
Fax: +61 8 9248 3725
Email: wasales@clevertronics.com.au

South Australia

U2/19 Main Terrace
Richmond SA 5033
Phone: +61 8 8301 8800
Fax: +61 8 8351 8286
Email: sasales@clevertronics.com.au

Auckland

Unit 22/761 Great South Road
Penrose Auckland 1061
Phone: +64 800 548 448
Email: nzsales@clevertronics.co.nz

Christchurch

163C Wordsworth Street
Sydenham Christchurch 8023
Phone: +64 800 548 448
Email: nzsales@clevertronics.co.nz

clevertronics.com.au

clevertronics.co.nz