



## Commercial Tapware

**3monkeez**<sup>®</sup>  
innovate. create. deliver.



2022

**3monkeez**

[www.3monkeez.com.au](http://www.3monkeez.com.au)

[sales@3monkeez.com.au](mailto:sales@3monkeez.com.au)



# GUARDIAN<sup>®</sup> TAPWARE



## ZERO TOUCH RANGE

Hygienic solutions available now

Scan the QR code to learn more



### Timed Sensor Compact Bubbler

T-3MSS-BUBCSB

T-3MSS-BUBCSM

- Battery operated or mains powered
- Infrared 6 second timed sensor
- Includes flexi hose - ½" FI BSP
- Full stainless steel construction
- WELS 6 Star 2.5LPM
- Working pressure range 150kPa-500kPa
- Maximum operating temperature 40 degrees

Suitable for bars, cafés, restaurants, shopping centres, airports and more.



### Wall Mounted Infrared Sensor Tap

T-3MSS-WMSTB

- Battery operated
- Infrared sensor
- Full stainless steel construction
- Working pressure range 150kPa-500kPa
- WELS 6 Star 3.5LPM
- Maximum operating temperature 50 degrees
- All in one, no external parts



[sales@3monkeez.com.au](mailto:sales@3monkeez.com.au)

02 9627 6111

**3monkeez**<sup>®</sup>  
innovate. create. deliver.

[www.3monkeez.com.au](http://www.3monkeez.com.au)

# The Stainless Steel Advantage

## Contents

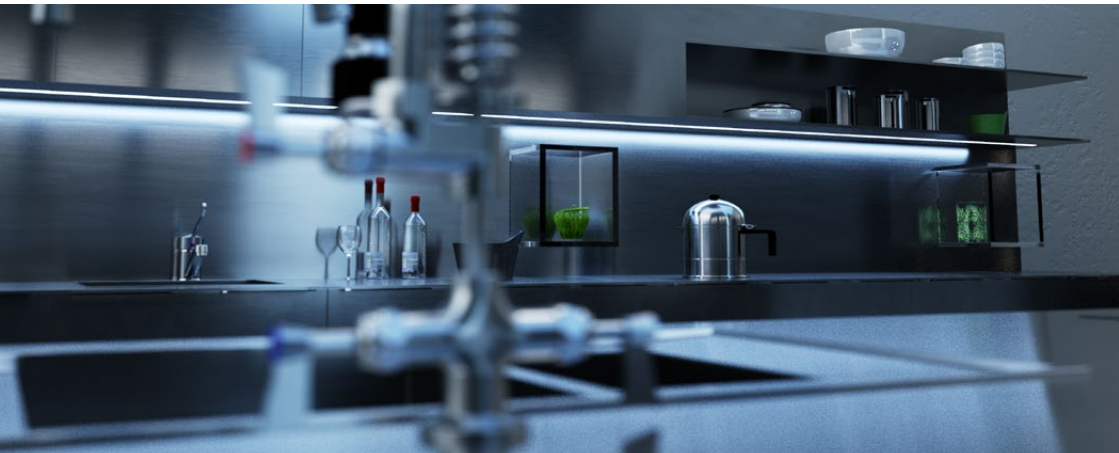
<b>Clean-A-Jet® Range</b>	<b>7</b>		
Hob Mount Pre-Rinse Units	8-21	Bib Tap with Wall Mount Sensor	67
Wall Mount Pre-Rinse Units	22-33	Lever Handle Bib Tap	68
		Push Button Bib Tap	69
<b>Guardian Tapware® Range</b>	<b>34</b>		
Hob Mount Body with Standard Spout	35-38	<b>Guardian Tapware®   Bubblers and Bottle Filler Range</b>	
Wall Mount Body with Standard Spout	39-42	45 Degree Metal Mouthguard Range	70-74
Hob Mount Body with Gooseneck Swivel Spout	43-45	45 Degree Silicone Mouthguard Range	75-79
Wall Mount Body with Gooseneck Swivel Spout	46-48	Wall Mount Silicone Mouthguard Range	80-84
Cleaners Sink Exposed Wall Mount Body with Fixed Spout and Wall Bracket	49	Compact Bubblers	85-87
Cleaners Sink Concealed Wall Mount Spout with Wall Stops and Wall Bracket	50	Wall & Hob Mount Bottle Fillers	88-93
Single Hob Mounted Pot and Kettle Filler	51		
Single Wall Mounted Pot and Kettle Filler	52	<b>Commercial range</b>	
Stainless Steel Sink and Basin Mixers	53-57	Knee & Foot Valves	94-98
Stainless Steel In Wall Mixer	58	Cleaners Sink Tap Set	99
		Hot Wash Reel & Trigger Valve	100
<b>Zero Touch Range, Bib and Pillar Taps</b>	<b>59</b>	<b>Tapware Accessories and Spare Parts</b>	<b>101</b>
Hob Mount Infrared Sensor Tap	60	Pre-Rinse Sub Assemblies	102-105
Wall Mounted Infrared Sensor Tap	61	Hob Mount Tap Bodies	106-107
Pillar Tap with Hob Mount Sensor	62	Wall Mount Tap Bodies	108-109
Pillar Tap with Wall Mount Sensor	63	Wall Elbow & Hob Outlet	110
Lever Handle Pillar Tap	64	Lever Handle Top Assembly	111
Push Button Pillar Tap	65	Cross Handle Top Assembly	112
Bib Tap with Hob Mount Sensor	66	Pot Filler & Risers	113
		Pre-Rinse Accessories	114



# The Stainless Steel Advantage

## Contents *continued*

Pre-Rinse Hoses & Adaptors	115
Tap Body Accessories	116
Trigger Valve & Handle	117
Straight Spouts	118
Goose Neck Spouts	119
Cleaner Sink Spouts and Accessories	120
Mixer Parts	121
Top Assembly parts	122
Pillar and Bib Tap Spare Parts	123
Compact Bubbler Spare Parts	124
Bubbler and Bottle Filler Spare Parts	125-126
Conversion Kits for Hob and Wall Mount Taps	127-128
Sensor Tap Spare Parts	129



## Premium Quality

To ensure 3monkeez<sup>®</sup> tapware withstands the rigors of any commercial application, our Guardian Tapware<sup>®</sup> and Clean-A-Jet<sup>®</sup> range of products are manufactured from 100% stainless steel (S/S).

The clean, attractive appearance and premium qualities of stainless steel protect your health and the environment, making it ideally suited to modern fit-outs to provide a lifetime of satisfaction.



### ZERO LEAD CONTAMINATION

Water quality not compromised.



### NO GRIME BUILD-UP

Waterways remain clean and the quality and taste of the water is not distorted.



### SMOOTH FINISH

Stainless steel provides an easy to clean surface and prevents the build-up of bacteria.



### HIGHLY DURABLE

Strong material reducing the occurrence of dents and bends.



### SMALL FOOTPRINT

Stainless steel is 100% recyclable.

# Commercial Tapware

**CLEANAJET®**  
STAINLESS STEEL

## Pre-Rinse Units

3monkeez® is committed to bringing you products that last. Constructed from complete stainless steel, our Pre-Rinse units not only have a clean, attractive appearance, they are able to meet the demands of even the toughest commercial applications to provide a lifetime of satisfaction.



## FIRST IN FULL STAINLESS STEEL\* WITH PREMIUM 2 YEAR ONSITE WARRANTY

Designed, fully assembled and individually bench tested in Australia.

\* All rubber components on our stainless steel products are nitrile butadiene rubber.



## Variable Spray Gun

Equipped with our unique variable spray gun, making it easy to adjust the intensity of the spray, 3monkeez® pre-rinse units also offer versatility and adaptability, being the highest quality tapware solution available.



[3monkeez.com.au](http://3monkeez.com.au)

# Commercial Tapware



**CLEANAJET**<sup>®</sup>  
STAINLESS STEEL

## Dual Hob Mount Pre-Rinse Unit

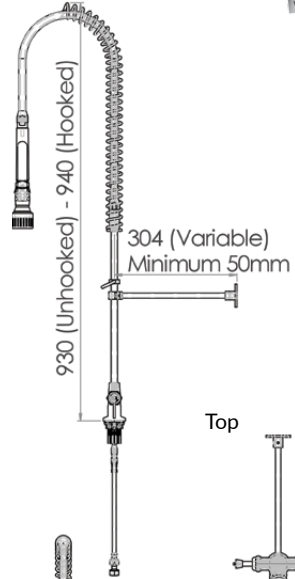


### T-3M53007

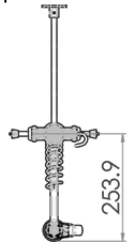
- Full S/S construction
- Equipped with a water saving 6 star 4LPM variable trigger valve
- Fully assembled and bench tested, with a unique traceable serial number
- Working pressure range 150kPa-500kPa
- Maximum operating temperature 80 degrees



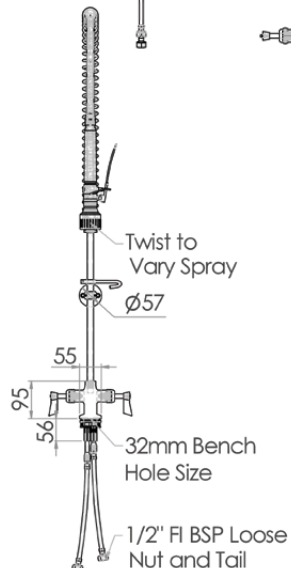
Side



Top



Front



# Commercial Tapware



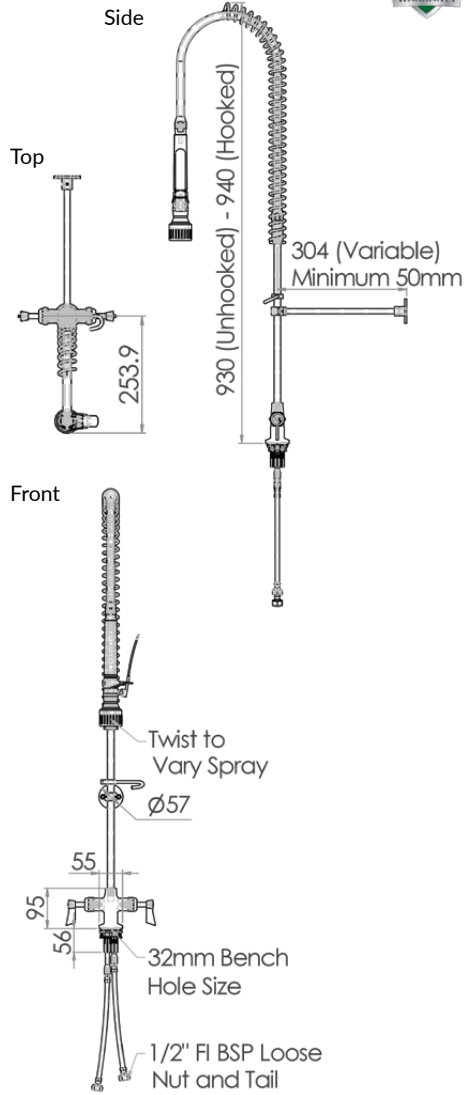
**CLEANAJET**<sup>®</sup>  
STAINLESS STEEL

## Dual Hob Mount Pre-Rinse Unit



### T-3M53007-H

- Full S/S construction
- Equipped with a water saving 6 star 4LPM variable trigger valve
- Includes 1000mm hose
- Fully assembled and bench tested, with a unique traceable serial number
- Working pressure range 150kPa-500kPa
- Maximum operating temperature 80 degrees



# Commercial Tapware



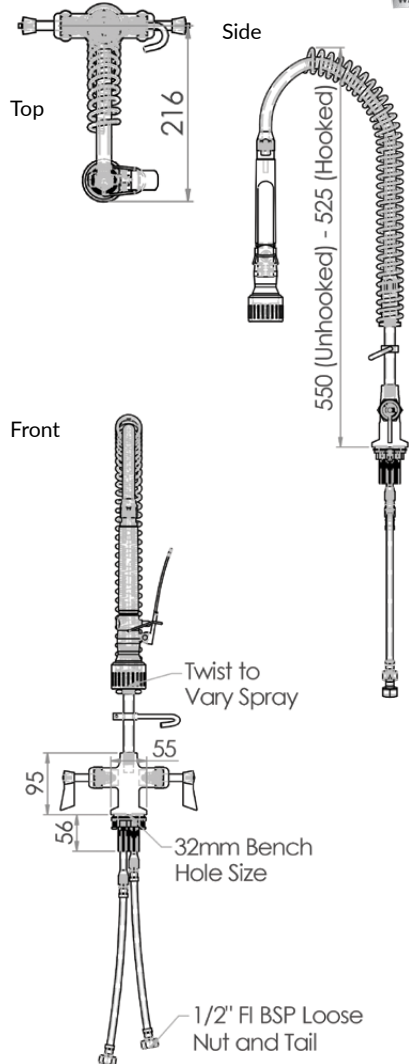
# CLEANAJET®

STAINLESS STEEL

## Compact Dual Hob Mount Pre-Rinse Unit

### T-3M53007-C

- Full S/S construction
- Compact model designed for applications where space saving is a priority
- Equipped with a water saving 6 star 4 LPM variable trigger valve
- Wall bracket included
- Fully assembled and bench tested, with a unique traceable serial number
- Working pressure range 150kPa-500kPa
- Maximum operating temperature 80 degrees





# Commercial Tapware



Watermark  
AS/NZS 3718  
21/15



WATER RATING  
4.0  
Watermark  
AS/NZS 3718  
21/15  
Licence No. 1284  
Unlimited supply  
3 star  
4 years part warranty



100%  
STAINLESS  
STEEL  
LEAD FREE

# CLEANAJET®

STAINLESS STEEL

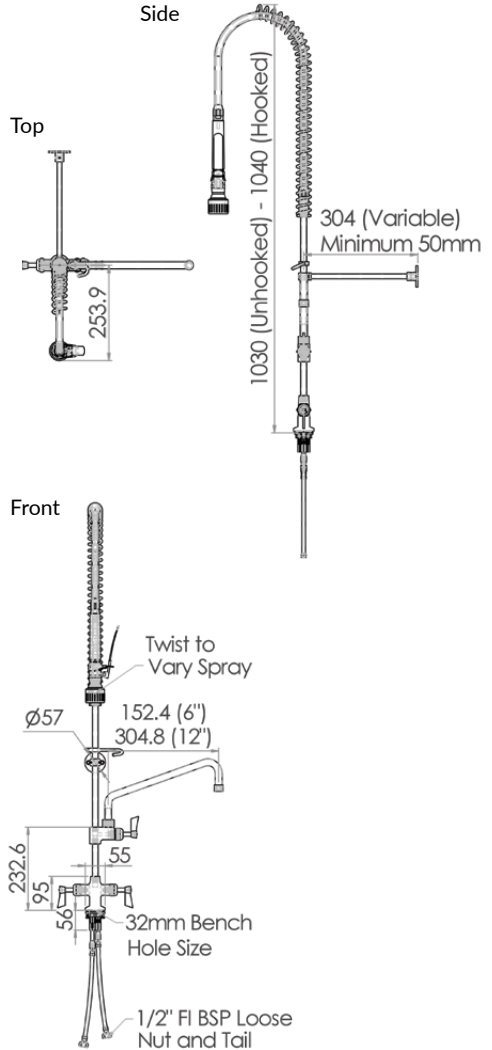
## Dual Hob Mount Pre-Rinse Unit with Pot Filler



**T-3M53015** – 6" pot filler

**T-3M53058** – 12" pot filler

- Full S/S construction
- Equipped with a water saving 6 star 4LPM variable trigger valve
- Available with 6" or 12" pot filler – 3 star 8LPM
- Fully assembled and bench tested, with a unique traceable serial number
- Working pressure range 150kPa-500kPa
- Maximum operating temperature 80 degrees



# Commercial Tapware



**CLEANAJET**<sup>®</sup>  
STAINLESS STEEL

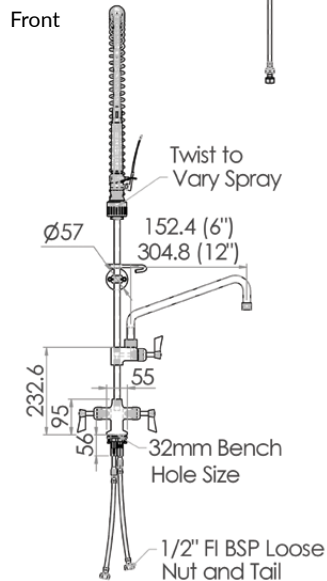
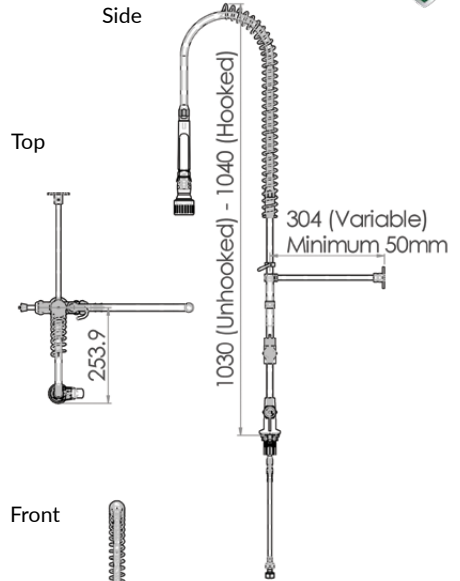
## Dual Hob Mount Pre-Rinse Unit with Pot Filler



**T-3M53015-H** – 6" pot filler

**T-3M53058-H** – 12" pot filler

- Full S/S construction
- Equipped with a water saving 6 star 4LPM variable trigger valve
- Includes 1000mm hose
- Available with 6" or 12" pot filler – 3 star 8LPM
- Fully assembled and bench tested, with a unique traceable serial number
- Working pressure range 150kPa-500kPa
- Maximum operating temperature 80 degrees



# Commercial Tapware



**CLEANJET**<sup>®</sup>  
STAINLESS STEEL

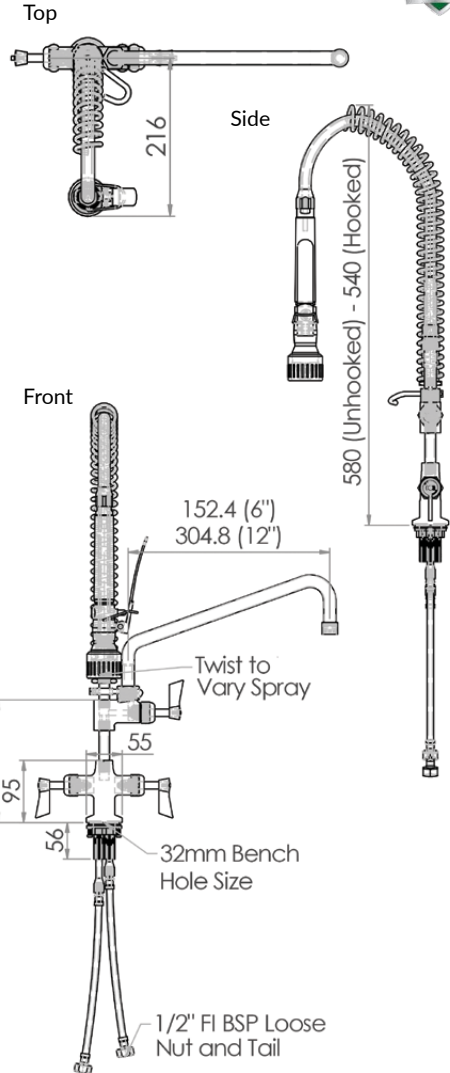
## Compact Dual Hob Mount Pre-Rinse with Pot Filler



**T-3M53015-C** – 6" pot filler

**T-3M53058-C** – 12" pot filler

- Full S/S construction
- Compact model designed for applications where space saving is a priority
- Equipped with a water saving 6 star 4LPM variable trigger valve
- Wall bracket included
- Available with 6" or 12" pot filler – 3 star 8LPM
- Fully assembled and bench tested, with a unique traceable serial number
- Working pressure range 150kPa-500kPa
- Maximum operating temperature 80 degrees

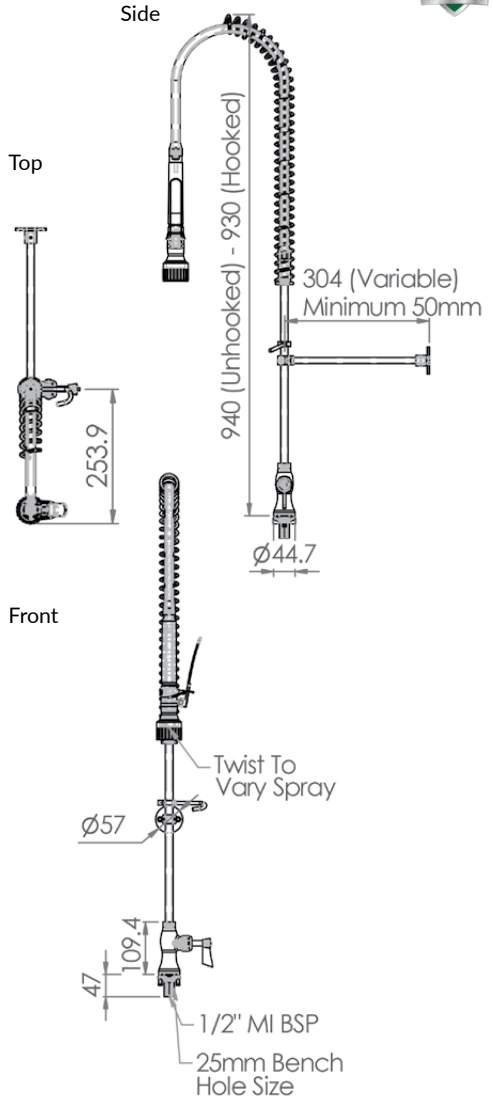


## Single Hob Mount Pre-Rinse Unit



### T-3M53100

- Full S/S construction
- Single control tap for single temperature, cold or pre-mixed water
- Equipped with a water saving 6 star 4LPM variable trigger valve
- Fully assembled and bench tested, with a unique traceable serial number
- Working pressure range 150kPa-500kPa
- Maximum operating temperature 80 degrees



# Commercial Tapware



**CLEANAJET®**  
STAINLESS STEEL

## Compact Single Hob Mount Pre-Rinse Unit

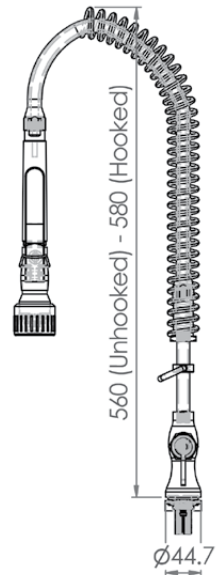


### T-3M53100-C

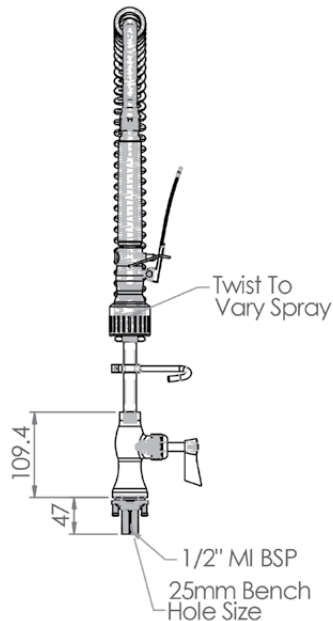
- Full S/S construction
- Single control tap for single temperature, cold or pre-mixed water
- Compact model designed for applications where space saving is a priority
- Equipped with a water saving 6 star 4LPM variable trigger valve
- Wall bracket included
- Fully assembled and bench tested, with a unique traceable serial number
- Working pressure range 150kPa-500kPa
- Maximum operating temperature 80 degrees

Top

Side



Front



# Commercial Tapware



**CLEANJET®**  
STAINLESS STEEL

## Single Hob Mount Pre-Rinse Unit with Pot Filler



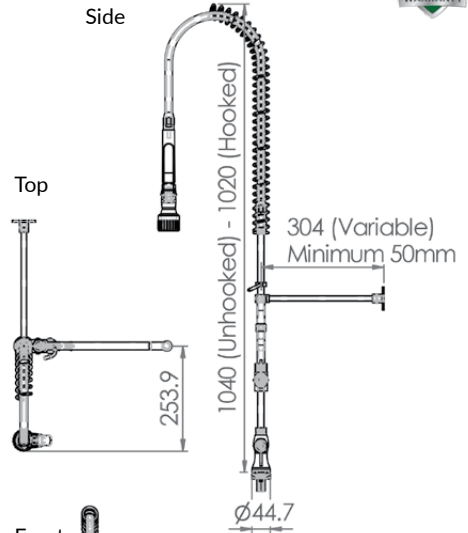
T-3M53106 – 6" pot filler

T-3M53112 – 12" pot filler

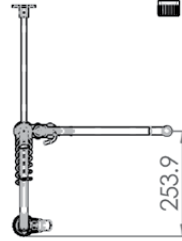
- Full S/S construction
- Single control tap for single temperature, cold or pre-mixed water
- Equipped with a water saving 6 star 4LPM variable trigger valve
- Available with 6" or 12" pot filler – 3 star 8LPM
- Fully assembled and bench tested, with a unique traceable serial number
- Working pressure range 150kPa-500kPa
- Maximum operating temperature 80 degrees



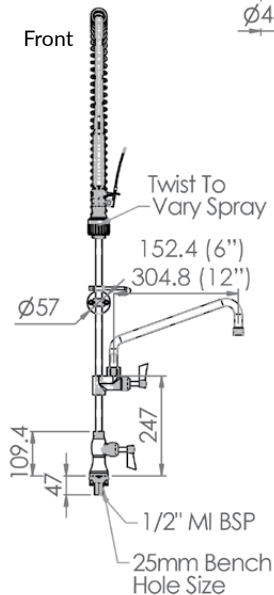
Side



Top



Front





# Commercial Tapware



**CLEANAJET**<sup>®</sup>  
STAINLESS STEEL

## Compact Single Hob Mount Pre-Rinse Unit with Pot Filler



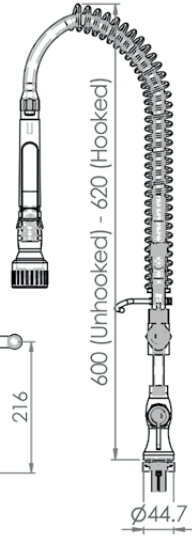
**T-3M53106-C** – 6" pot filler

**T-3M53112-C** – 12" pot filler

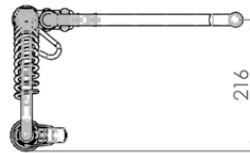
- Full S/S construction
- Single control tap for single temperature, cold or pre-mixed water
- Compact model designed for applications where space saving is a priority
- Equipped with a water saving 6 star 4LPM variable trigger valve
- Wall bracket included
- Available with 6" or 12" pot filler – 3 star 8LPM
- Fully assembled and bench tested, with a unique traceable serial number
- Working pressure range 150kPa-500kPa
- Maximum operating temperature 80 degrees



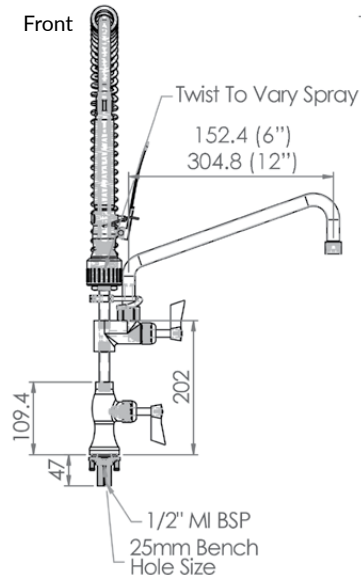
Side



Top



Front



# Commercial Tapware



**CLEANAJET**<sup>®</sup>  
STAINLESS STEEL

## Hob Mount (No Stops) Pre-Rinse Unit

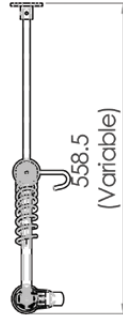


### T-3M53200

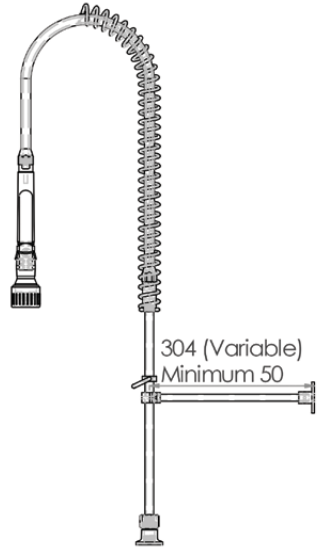
- Full S/S construction
- Equipped with a water saving 6 star 4LPM variable trigger valve
- Fully assembled and bench tested, with a unique traceable serial number
- Working pressure range 150kPa-500kPa
- Maximum operating temperature 80 degrees



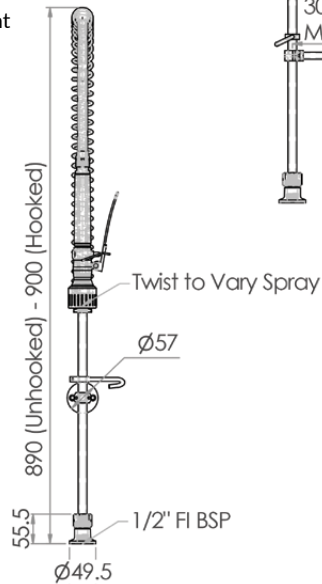
Top



Side



Front



# Commercial Tapware



**CLEANJET**<sup>®</sup>  
STAINLESS STEEL

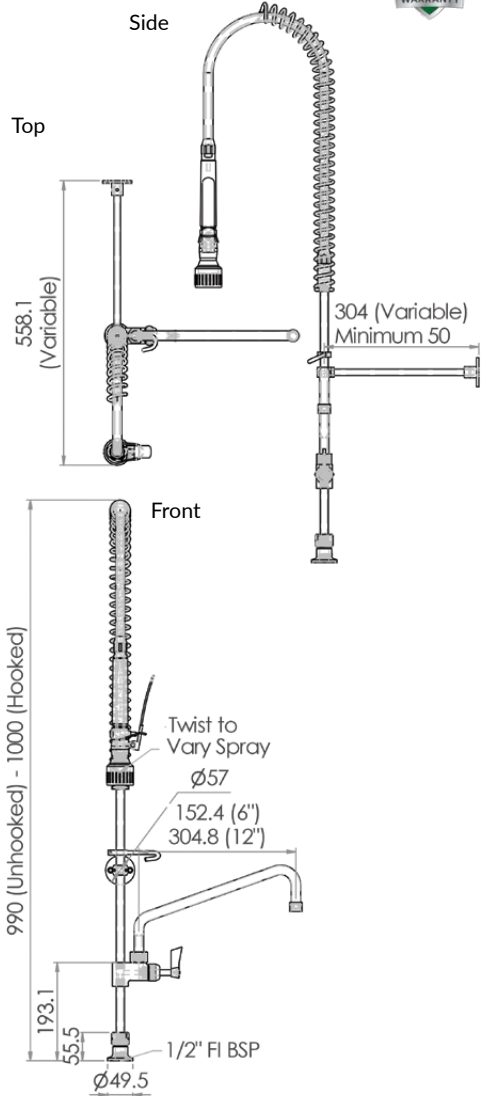
## Hob Mount (No Stops) Pre-Rinse Unit with Pot Filler



T-3M53206 – 6" pot filler

T-3M53212 – 12" pot filler

- Full S/S construction
- Equipped with a water saving 6 star 4LPM variable trigger valve
- Available with 6" or 12" pot filler – 3 star 8LPM
- Fully assembled and bench tested, with a unique traceable serial number
- Working pressure range 150kPa-500kPa
- Maximum operating temperature 80 degrees



# Commercial Tapware



# CLEANAJET®

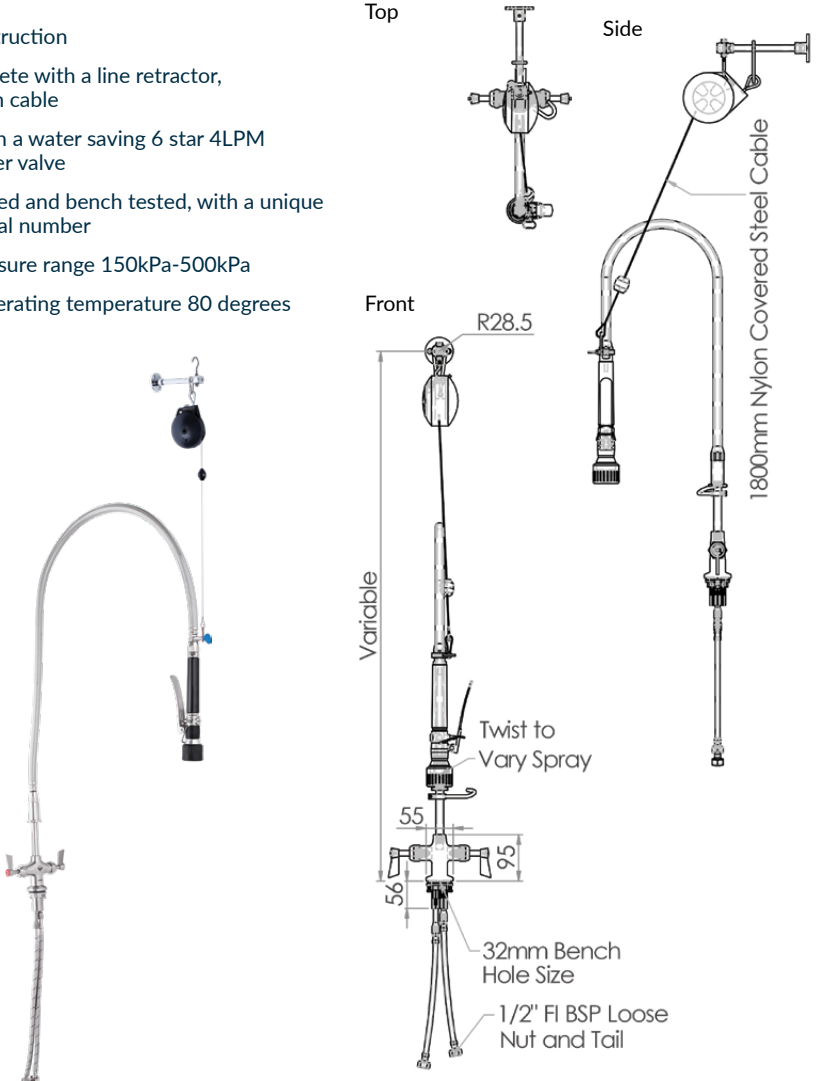
STAINLESS STEEL

## Dual Hob Mount Pre Rinse Unit with Line Retractor



### T-3M53500

- Full S/S construction
- Comes complete with a line retractor, with 1800mm cable
- Equipped with a water saving 6 star 4LPM variable trigger valve
- Fully assembled and bench tested, with a unique traceable serial number
- Working pressure range 150kPa-500kPa
- Maximum operating temperature 80 degrees



# Commercial Tapware



**CLEANAJET®**  
STAINLESS STEEL

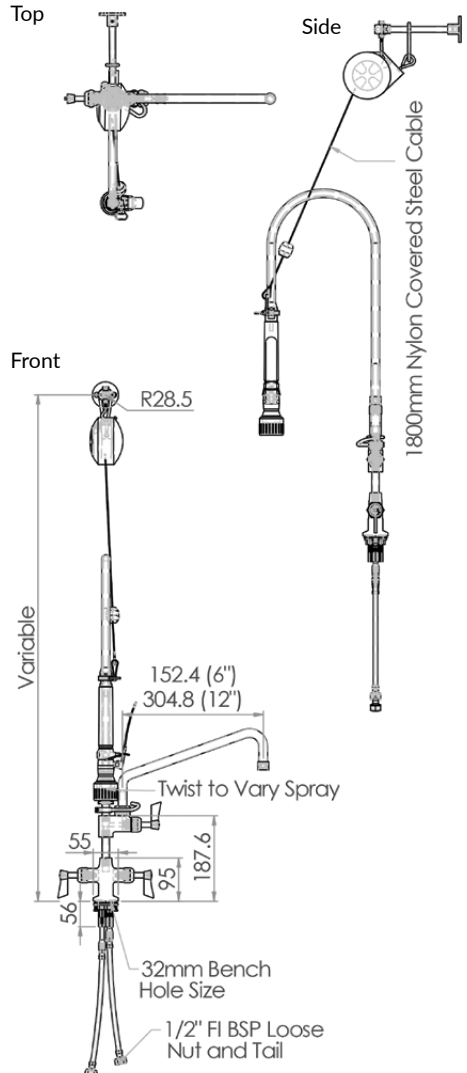
## Dual Hob Pre Rinse Unit with Line Retractor and Pot Filler



**T-3M53506** – 6" pot filler

**T-3M53512** – 12" pot filler

- Full S/S construction
- Comes complete with a line retractor, with 1800mm cable
- Equipped with a water saving 6 star 4LPM variable trigger valve
- Available with 6" or 12" pot filler – 3 star 8LPM
- Fully assembled and bench tested, with a unique traceable serial number
- Working pressure range 150kPa-500kPa
- Maximum operating temperature 80 degrees



# Commercial Tapware



**CLEANAJET**<sup>®</sup>  
STAINLESS STEEL

## Exposed Wall Mount Pre-Rinse Unit



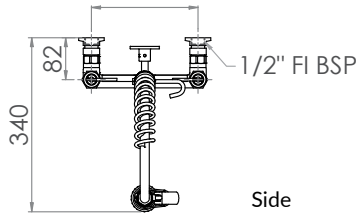
### T-3M53430

- Full S/S construction
- Equipped with a water saving 6 star 4LPM variable trigger valve
- Fully assembled and bench tested, with a unique traceable serial number
- Working pressure range 150kPa-500kPa
- Maximum operating temperature 80 degrees

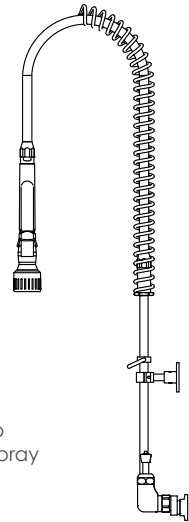


Top

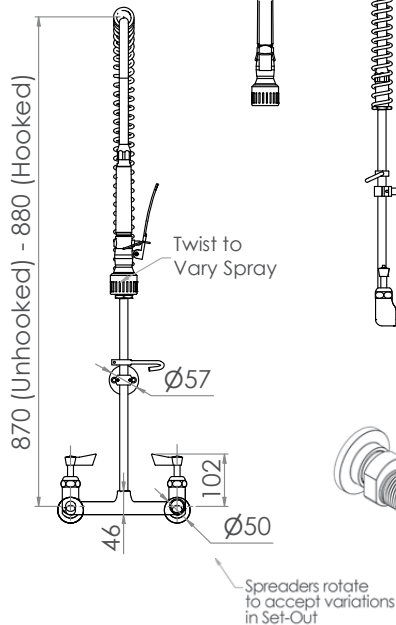
Set-Out 205 Centres  
Min 195 - Max 215



Side



Front





# Commercial Tapware



**CLEANAJET**<sup>®</sup>  
STAINLESS STEEL

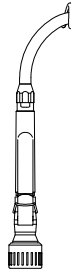
## Compact Exposed Wall Mount Pre-Rinse Unit



### T-3M53430-C

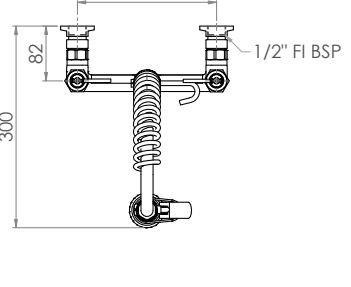
- Full S/S construction
- Compact model designed for applications where space saving is a priority
- Equipped with a water saving 6 star 4LPM variable trigger valve
- Wall bracket included
- Fully assembled and bench tested, with a unique traceable serial number
- Working pressure range 150kPa-500kPa
- Maximum operating temperature 80 degrees

Side

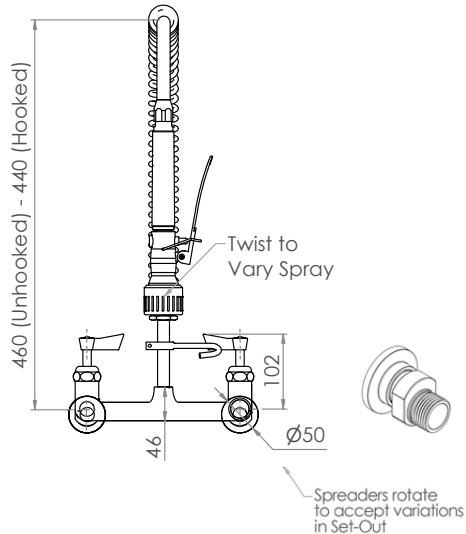


Top

Set-Out 205 Centres  
Min 195 - Max 215



Front



# Commercial Tapware



**CLEANAJET**<sup>®</sup>  
STAINLESS STEEL

## Exposed Wall Mount Pre-Rinse Unit with Pot Filler



**T-3M53449** – 6" pot filler

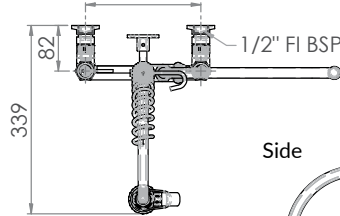
**T-3M53473** – 12" pot filler

- Full S/S construction
- Equipped with a water saving 6 star 4LPM variable trigger valve
- Available with 6" or 12" pot filler – 3 star 8LPM
- Fully assembled and bench tested, with a unique traceable serial number
- Working pressure range 150kPa-500kPa
- Maximum operating temperature 80 degrees

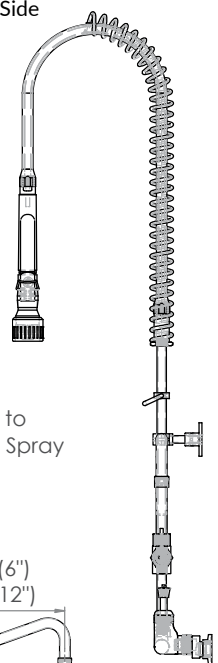


Top

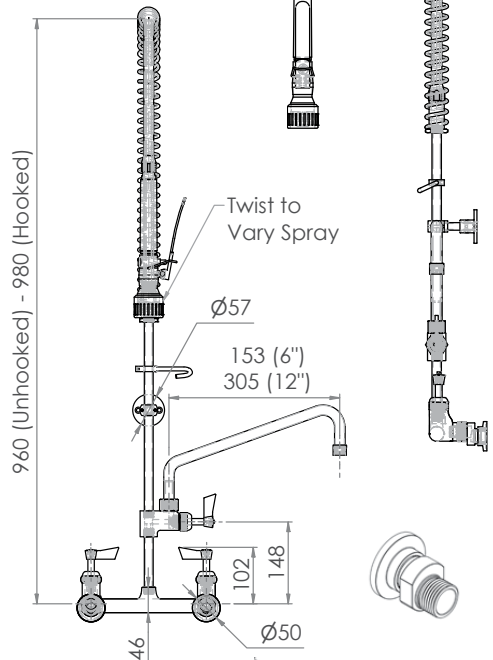
Set-Out 205 Centres  
Min 195 - Max 215



Side



Front



[3monkeez.com.au](http://3monkeez.com.au)

# Commercial Tapware



**CLEANJET**<sup>®</sup>  
STAINLESS STEEL

## Compact Exposed Wall Mount Pre-Rinse Unit with Pot Filler



T-3M53449-C – 6" pot filler

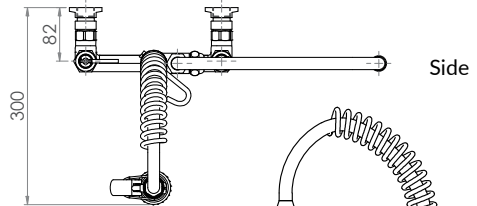
T-3M53473-C – 12" pot filler

- Full S/S construction
- Compact model designed for applications where space saving is a priority
- Equipped with a water saving 6 star 4LPM variable trigger valve
- Wall bracket included
- Available with 6" or 12" pot filler – 3 star 8LPM
- Fully assembled and bench tested, with a unique traceable serial number
- Working pressure range 150kPa-500kPa
- Maximum operating temperature 80 degrees

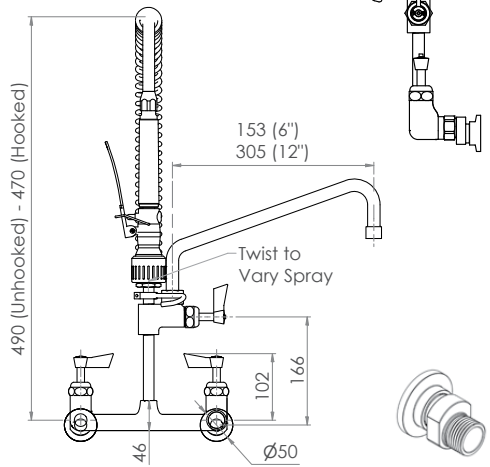


Top

Set-Out 205 Centres  
Min 195 - Max 215



Front



Spreader rotates to accept variations in Set-Out

# Commercial Tapware

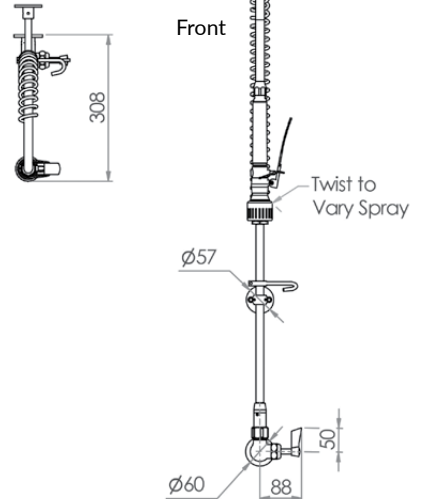
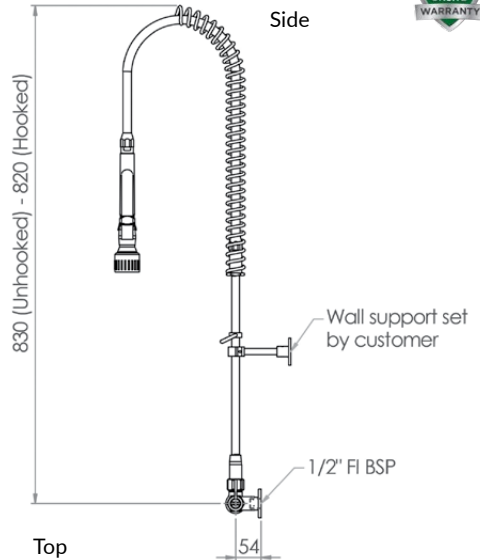


**CLEANAJET**<sup>®</sup>  
STAINLESS STEEL

## Single Wall Mount Pre-Rinse Unit

### T-3M53700

- Full S/S construction
- Single control tap for single temperature, cold or pre-mixed water
- Equipped with a water saving 6 star 4LPM variable trigger valve
- Fully assembled and bench tested, with a unique traceable serial number
- Working pressure range 150kPa-500kPa
- Maximum operating temperature 80 degrees



# Commercial Tapware



**CLEANAJET**<sup>®</sup>  
STAINLESS STEEL

## Compact Single Wall Mount Pre-Rinse Unit

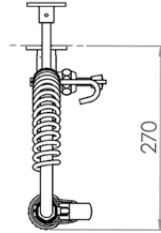


### T-3M53700-C

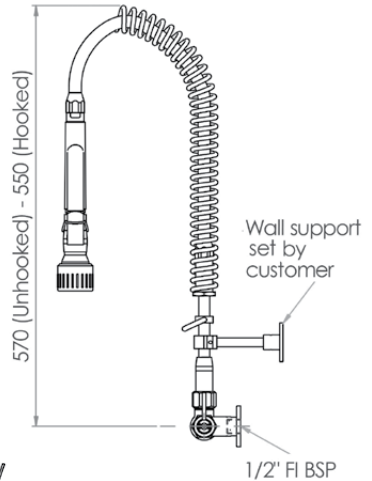
- Full S/S construction
- Single control tap for single temperature, cold or pre-mixed water
- Equipped with a water saving 6 star 4LPM variable trigger valve
- Compact model designed for applications where space saving is a priority
- Wall bracket included
- Fully assembled and bench tested, with a unique traceable serial number
- Working pressure range 150kPa-500kPa
- Maximum operating temperature 80 degrees



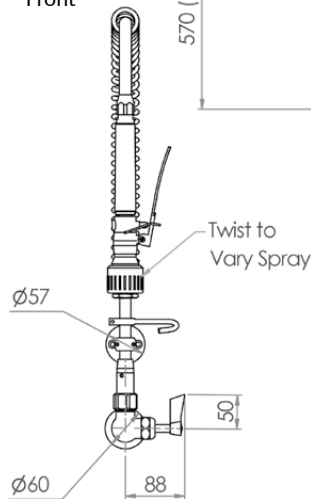
Top



Side



Front



# Commercial Tapware



**CLEANAJET®**  
STAINLESS STEEL

## Single Wall Mount Pre-Rinse Unit with Pot Filler



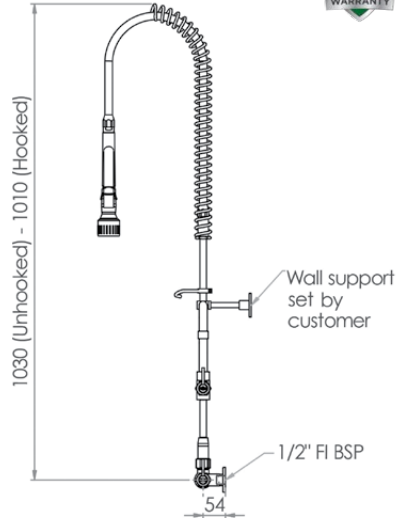
T-3M53706 – 6" pot filler

T-3M53712 – 12" pot filler

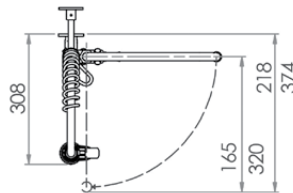
- Full S/S construction
- Single control tap for single temperature, cold or pre-mixed water
- Equipped with a water saving 6 star 4LPM variable trigger valve
- Available with 6" or 12" pot filler – 3 star 8LPM
- Fully assembled and bench tested, with a unique traceable serial number
- Working pressure range 150kPa-500kPa
- Maximum operating temperature 80 degrees



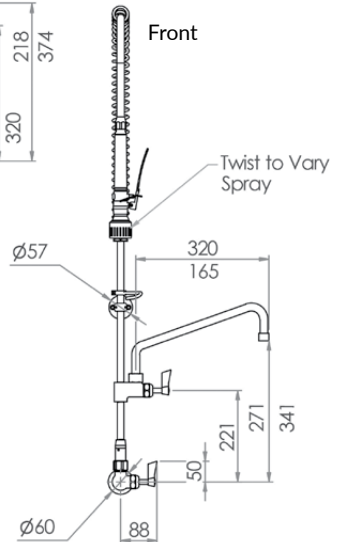
Side



Top



Front





# Commercial Tapware



**CLEANAJET®**  
STAINLESS STEEL

## Compact Single Wall Mount Pre-Rinse Unit with Pot Filler



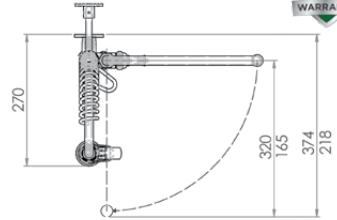
T-3M53706-C – 6" pot filler

T-3M53712-C – 12" pot filler

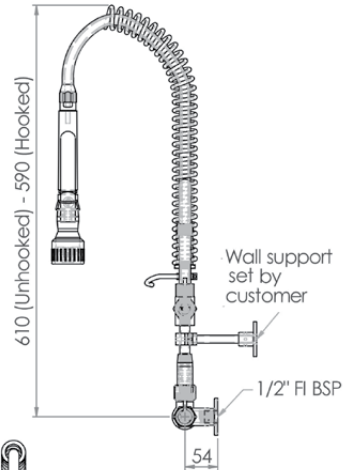
- Full S/S construction
- Single control tap for single temperature, cold or pre-mixed water
- Equipped with a water saving 6 star 4LPM variable trigger valve
- Compact model designed for applications where space saving is a priority
- Wall bracket included
- Available with 6" or 12" pot filler – 3 star 8LPM
- Fully assembled and bench tested, with a unique traceable serial number
- Working pressure range 150kPa-500kPa
- Maximum operating temperature 80 degrees



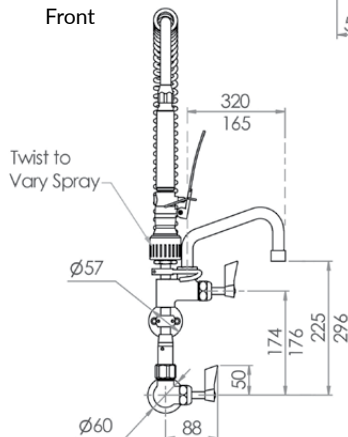
Top



Side



Front



# Commercial Tapware



**CLEANAJET®**  
STAINLESS STEEL

## Wall Stops & Elbow Pre-Rinse Unit

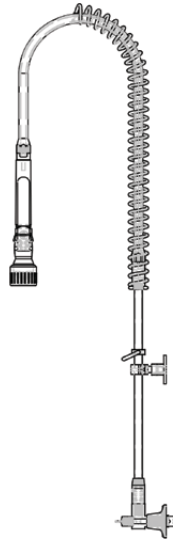


### T-3M53810

- Full S/S construction
- Wall elbow and lever handle wall top assemblies, ¼ turn ceramic disc. Stainless steel outer with brass internals to suit concealed breach
- Equipped with a water saving 6 star 4LPM variable trigger valve
- Fully assembled and bench tested, with a unique traceable serial number
- Working pressure range 150kPa-500kPa
- Maximum operating temperature 80 degrees

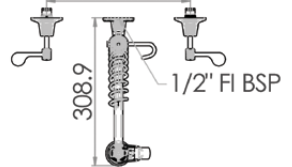


Side

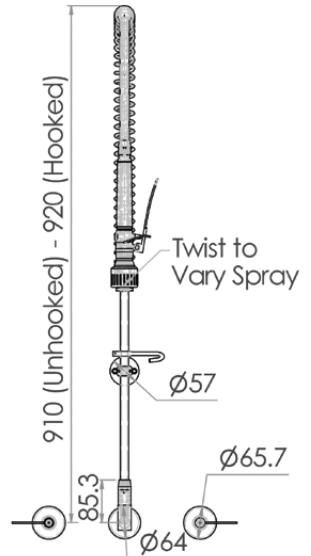


Top

Variable - Dependant on Breach Used  
Breach Not Supplied



Front



## Compact Wall Stops & Elbow Pre-Rinse Unit

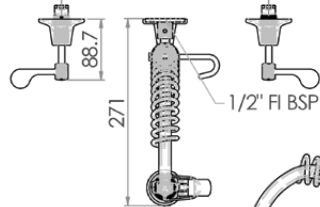


### T-3M53810-C

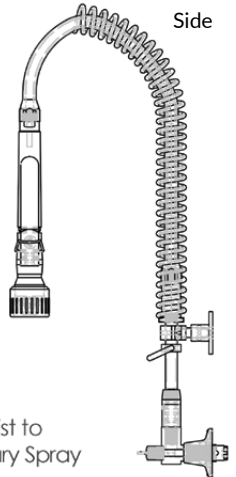
- Full S/S construction
- Compact model designed for applications where space saving is a priority
- Wall elbow and lever handle wall top assemblies, ¼ turn ceramic disc. Stainless steel outer with brass internals to suit concealed breech
- Equipped with a water saving 6 star 4LPM variable trigger valve
- Wall bracket included
- Fully assembled and bench tested, with a unique traceable serial number
- Working pressure range 150kPa-500kPa
- Maximum operating temperature 80 degrees

Top

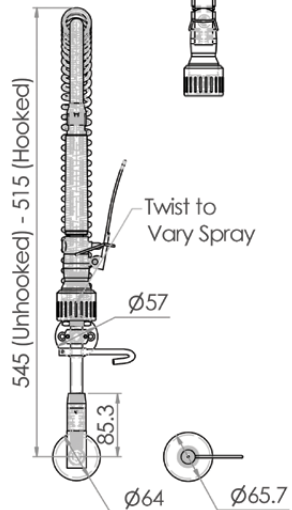
Variable - Dependant on Breech Used  
Breech Not Supplied



Side



Front



# Commercial Tapware



**CLEANAJET®**  
STAINLESS STEEL

## Wall Stops & Elbow Pre-Rinse Unit with Pot Filler



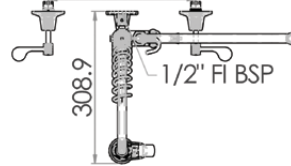
T-3M53816 – 6" pot filler

T-3M53822 – 12" pot filler

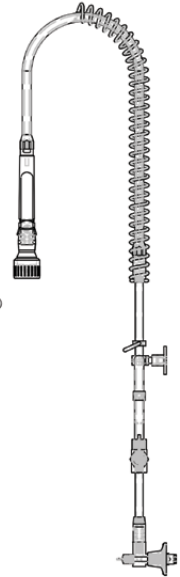
- Full S/S construction
- Wall elbow and lever handle wall top assemblies, ¼ turn ceramic disc. Stainless steel outer with brass internals to suit concealed breach
- Equipped with a water saving 6 star 4LPM variable trigger valve
- Available with 6" or 12" pot filler – 3 star 8LPM
- Fully assembled and bench tested, with a unique traceable serial number
- Working pressure range 150kPa-500kPa
- Maximum operating temperature 80 degrees

Top

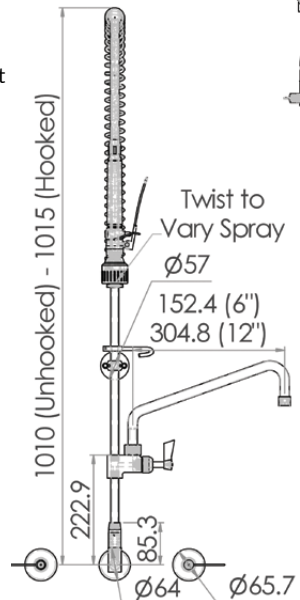
Variable - Dependant  
on Breach Used  
Breach Not Supplied



Side



Front



3monkeez.com.au

# Commercial Tapware



**CLEANAJET®**  
STAINLESS STEEL

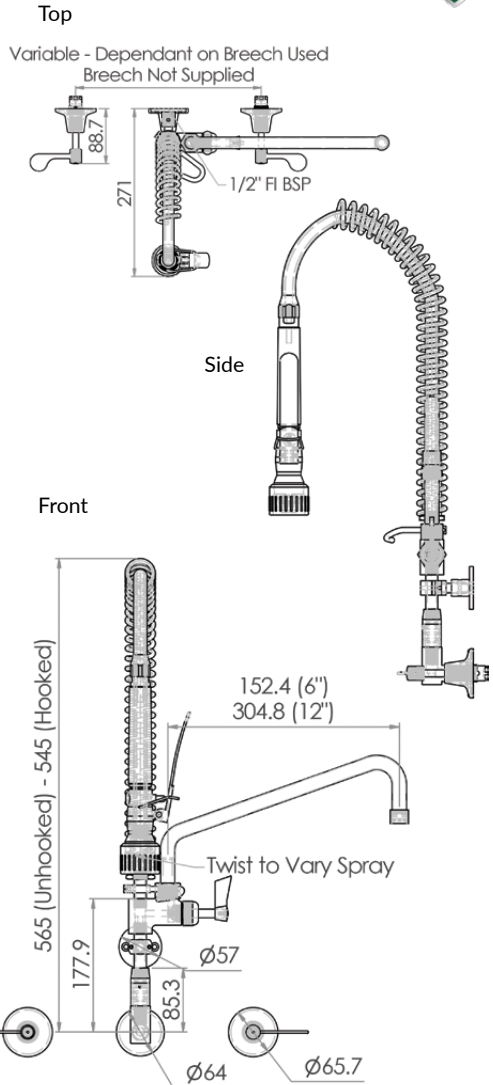
## Compact Wall Stops & Elbow Pre-Rinse Unit with Pot Filler



T-3M53816-C - 6" pot filler

T-3M53822-C - 12" pot filler

- Full S/S construction
- Available with 6" or 12" pot filler - 3 star 8LPM
- Compact model designed for applications where space saving is a priority
- Wall elbow and lever handle wall top assemblies, ¼ turn ceramic disc. Stainless steel outer with brass internals to suit concealed breach
- Equipped with a water saving 6 star 4LPM variable trigger valve
- Wall bracket included
- Fully assembled and bench tested, with a unique traceable serial number
- Working pressure range 150kPa-500kPa
- Maximum operating temperature 80 degrees



# Commercial Tapware



# GUARDIAN<sup>®</sup> TAPWARE

## Guardian Range

The 3monkeez<sup>®</sup> Guardian Tapware<sup>®</sup> range has been specially engineered to withstand the rigors of any commercial application. This range offers products manufactured from 100% stainless steel, to bring you reliable, clean and attractive products that protect your health and provide a lifetime of satisfaction.

From sink mixers to bottle fillers, there is bound to be a product to suit your next project.



**FIRST IN FULL STAINLESS STEEL WITH PREMIUM 2 YEAR WARRANTY**

Designed, fully assembled and individually bench tested in Australia.



## Product Solutions

The robust and durable design of 3monkeez<sup>®</sup> range of laboratory and commercial use tapware sets them apart from standard mixers and taps. Constructed from durable stainless steel, these taps can withstand the rigors of commercial environments, ideal for application in schools, laboratories and restaurants.

# Commercial Tapware



# GUARDIAN<sup>®</sup> TAPWARE

## Dual Hob Mount Body with Spout

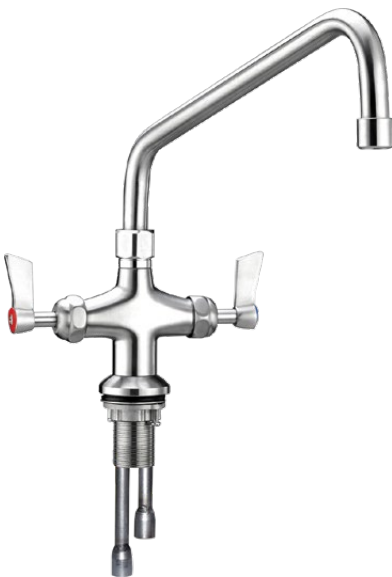
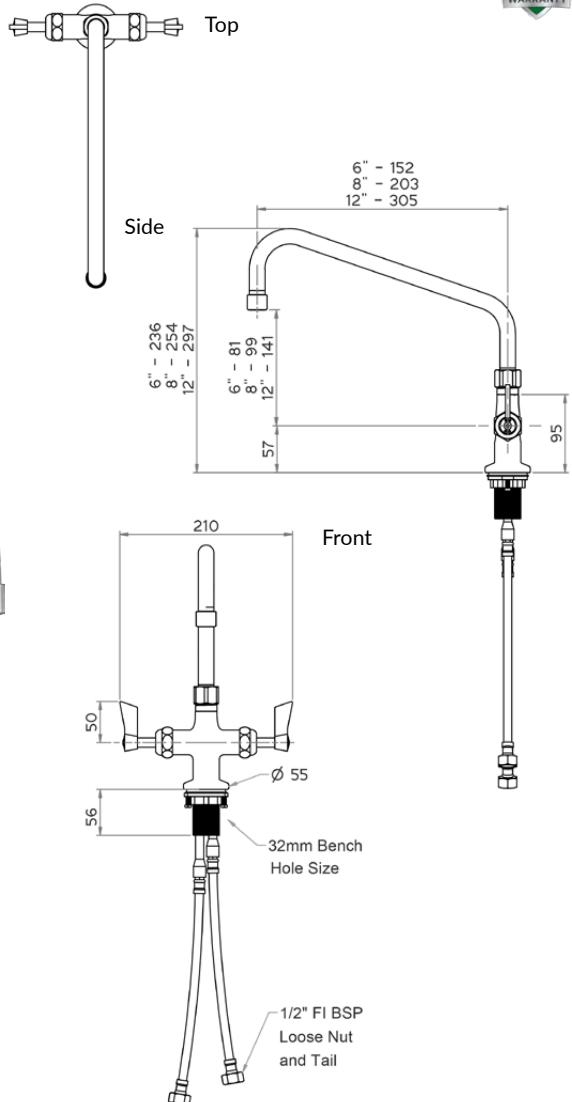


T-3MDH06 – 6" spout

T-3MDH08 – 8" spout

T-3MDH12 – 12" spout

- Full S/S construction
- Dual hob tap body includes inlet hoses
- Available with a 6", 8" or 12" spout – 3 star 8LPM
- Working pressure range 150kPa-500kPa
- Maximum operating temperature 80 degrees



# Commercial Tapware



# GUARDIAN<sup>®</sup> TAPWARE

## Single Hob Mount Body with Spout



T-3MSH06 – 6" spout

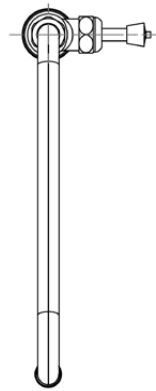
T-3MSH08 – 8" spout

T-3MSH12 – 12" spout

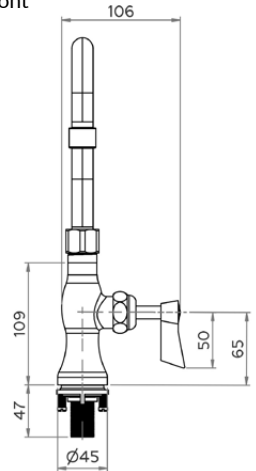
- Full S/S construction
- Single control tap for single temperature, cold or pre-mixed water
- ½" MI BSP Inlet
- Available with a 6", 8" or 12" spout – 3 star 8LPM
- Working pressure range 150kPa-500kPa
- Maximum operating temperature 80 degrees



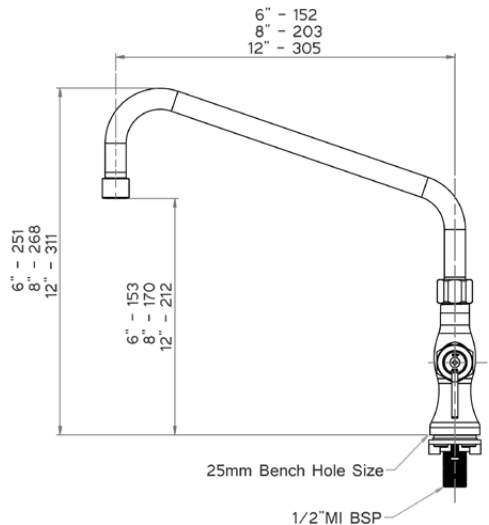
Top



Front



Side





# Commercial Tapware



# GUARDIAN<sup>®</sup> TAPWARE

## Hob Mount and Basin Stops with Spout

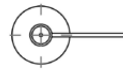


**T-3MHS06** – 6" spout

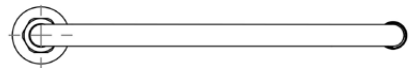
**T-3MHS08** – 8" spout

**T-3MHS12** – 12" spout

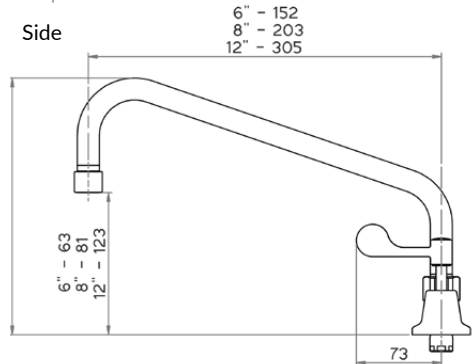
- Stainless steel spout and hob mount
- Lever handle assemblies, ¼ turn ceramic disc. Stainless steel outer with brass internals
- Available with a 6", 8" or 12" spout – 3 star 8LPM
- Working pressure range 150kPa-500kPa
- Maximum operating temperature 80 degrees



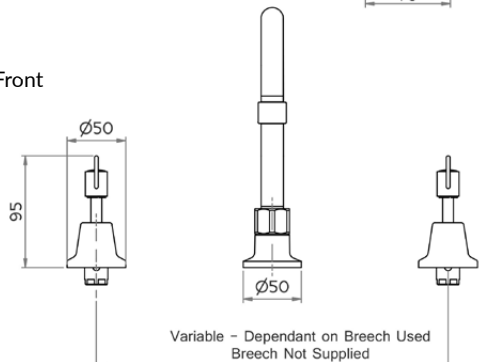
Top



Side



Front



# Commercial Tapware



# GUARDIAN<sup>®</sup> TAPWARE

## Hob Mount (no stops) with Spout

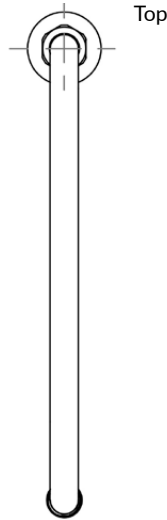


**T-3MH006** – 6" spout

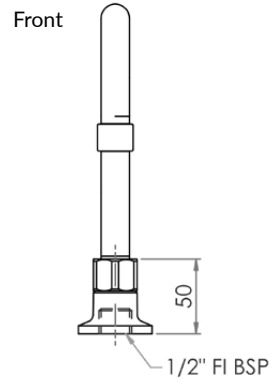
**T-3MH008** – 8" spout

**T-3MH012** – 12" spout

- Full S/S construction
- Hob mount (no stops) with 1/2" FI BSP inlet
- Available with a 6", 8" or 12" spout – 3 star 8LPM
- Working pressure range 150kPa-500kPa
- Maximum operating temperature 80 degrees

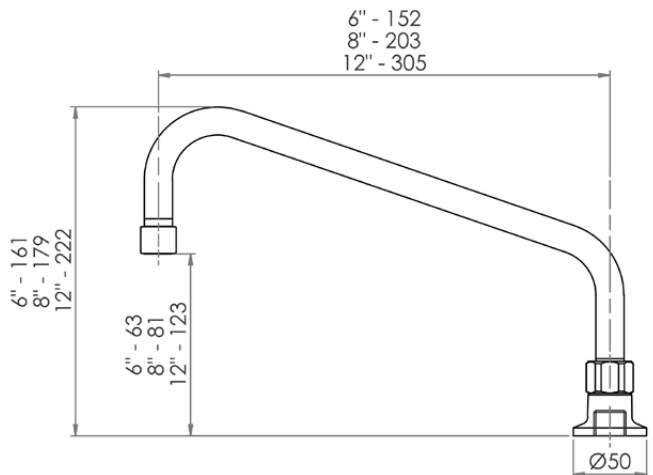


Top



Front

Side



# Commercial Tapware



# GUARDIAN<sup>®</sup> TAPWARE

## Exposed Wall Mount Body with Spout

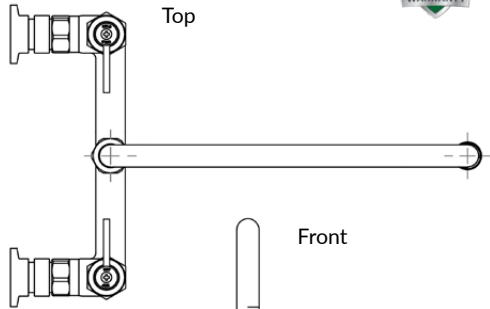


T-3MEW06 – 6" spout

T-3MEW08 – 8" spout

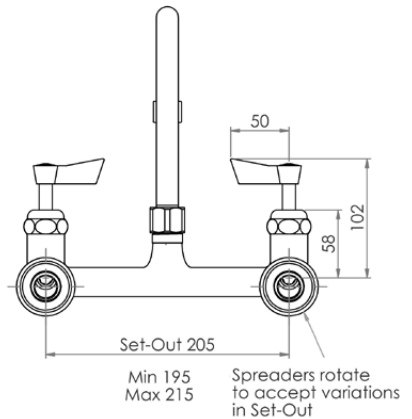
T-3MEW12 – 12" spout

- Full S/S construction
- Exposed wall mount tap body including spreaders and ½ turn rising spindles
- Available with a 6", 8" or 12" spout – 3 star 8LPM
- Working pressure range 150kPa-500kPa
- Maximum operating temperature 80 degrees



∅50

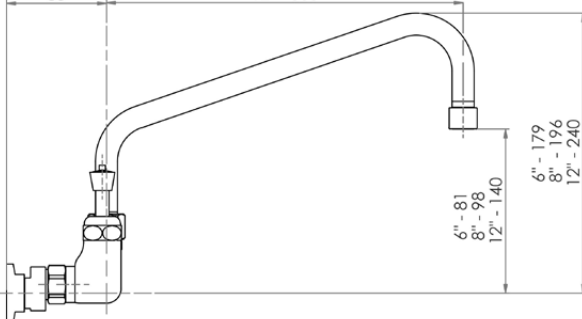
Back



Side

6" - 152  
8" - 203  
12" - 305

85



# Commercial Tapware



# GUARDIAN<sup>®</sup> TAPWARE

## Single Wall Mount Body with Spout



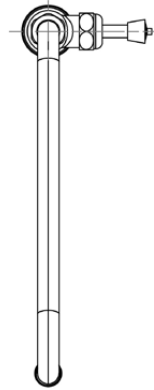
**T-3MSW06** – 6" spout

**T-3MSW08** – 8" spout

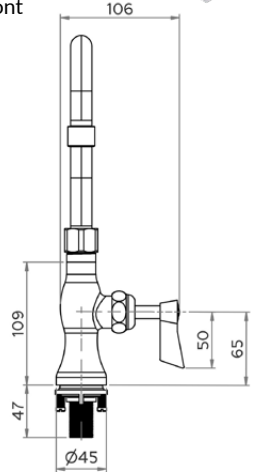
**T-3MSW12** – 12" spout

- Full S/S construction
- Single control tap for single temperature, cold or pre-mixed water
- ½" FI BSP inlet
- Available with a 6", 8" or 12" spout – 3 star 8LPM
- Working pressure range 150kPa-500kPa
- Maximum operating temperature 80 degrees

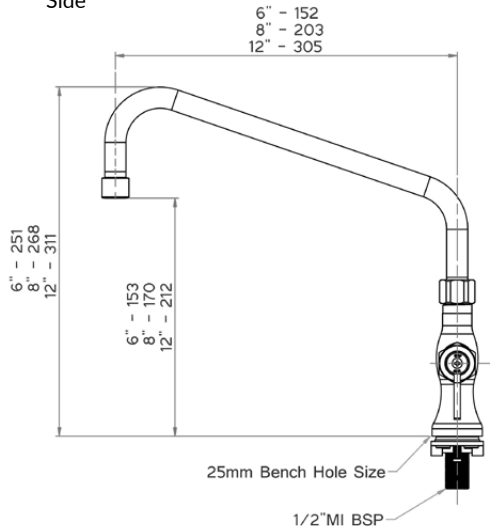
Top



Front



Side



# Commercial Tapware



# GUARDIAN<sup>®</sup> TAPWARE

## Wall Stops and Elbow with Spout



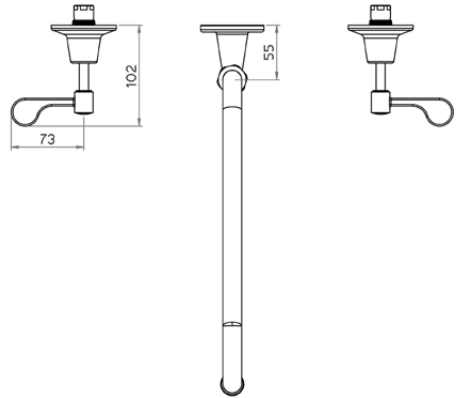
**T-3MCW06** – 6" spout

**T-3MCW08** – 8" spout

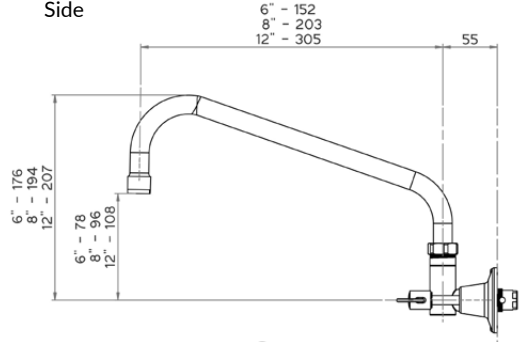
**T-3MCW12** – 12" spout

- Stainless steel spout and wall elbow
- Wall elbow and lever handle wall top assemblies, ¼ turn ceramic disc. Stainless steel outer with brass internals to suit concealed breach
- Available with a 6", 8" or 12" spout – 3 star 8LPM
- Working pressure range 150kPa-500kPa
- Maximum operating temperature 80 degrees

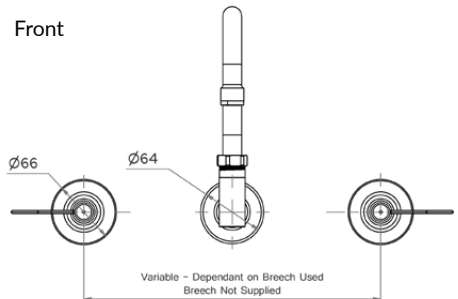
Top



Side



Front



# Commercial Tapware



# GUARDIAN<sup>®</sup> TAPWARE

## Wall Elbow with Spout



**T-3MWE06** – 6" spout

**T-3MWE08** – 8" spout

**T-3MWE12** – 12" spout

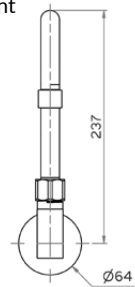
- Full S/S construction
- Wall elbow with 1/2" FI BSP inlet
- Available with a 6", 8" or 12" spout – 3 star 8LPM
- Working pressure range 150kPa-500kPa
- Maximum operating temperature 80 degrees



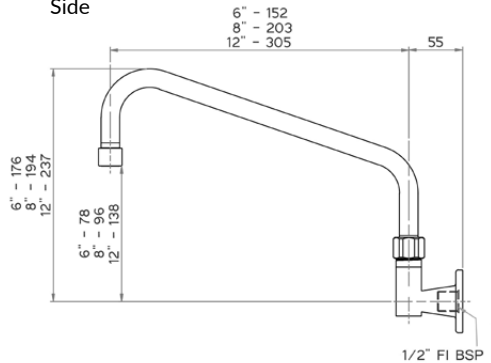
Top



Front



Side



# Commercial Tapware



# GUARDIAN<sup>®</sup> TAPWARE

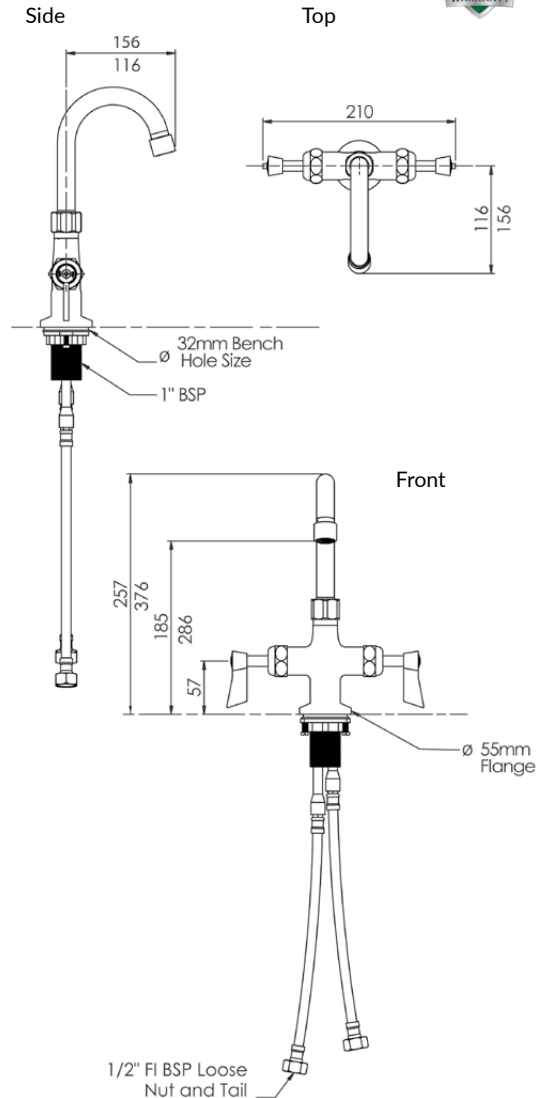
## Dual Hob Mount Body with Gooseneck Swivel Spout



**T-3MDHG07** – 7" spout

**T-3MDHG12** – 12" spout

- Full S/S construction
- Dual hob mount tap body includes inlet hoses
- Available with a 7" or 12" gooseneck spout – 4 star 7.5LPM
- Working pressure range 150kPa-500kPa
- Maximum operating temperature 80 degrees



# Commercial Tapware



# GUARDIAN<sup>®</sup> TAPWARE

## Single Hob Mount Body with Gooseneck Swivel Spout



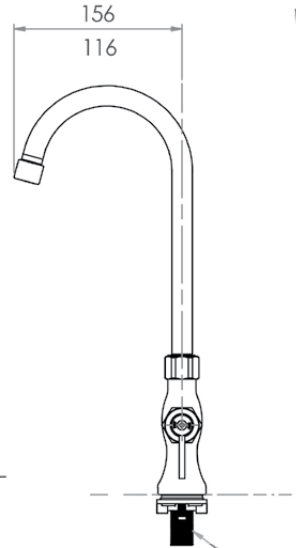
**T-3MSHG07** – 7" spout

**T-3MSHG12** – 12" spout

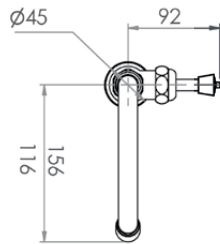
- Full S/S construction
- Single control tap for single temperature, cold or pre-mixed water
- ½" MI BSP Inlet
- Available with a 7" or 12" gooseneck spout – 4 star 7.5LPM
- Working pressure range 150kPa-500kPa
- Maximum operating temperature 80 degrees



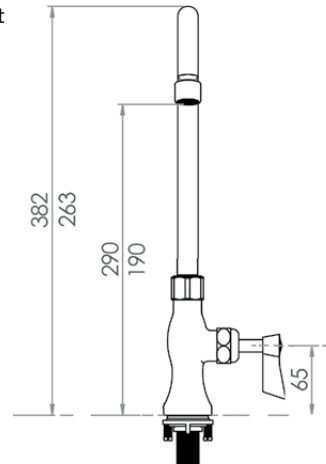
Side



Top



Front





# Commercial Tapware



# GUARDIAN<sup>®</sup> TAPWARE

## Hob Mount (No Stops) with Gooseneck Swivel Spout



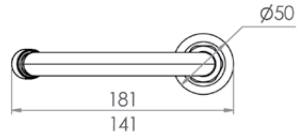
**T-3MHOG07** – 7" spout

**T-3MHOG12** – 12" spout

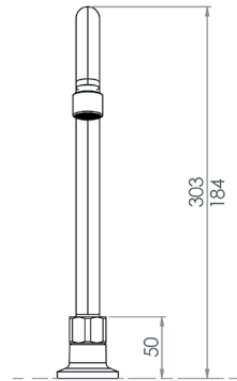
- Full S/S construction
- Hob mount (no stops) with ½" FI BSP inlet
- Available with a 7" or 12" gooseneck spout – 4 star 7.5LPM
- Working pressure range 150kPa-500kPa
- Maximum operating temperature 80 degrees



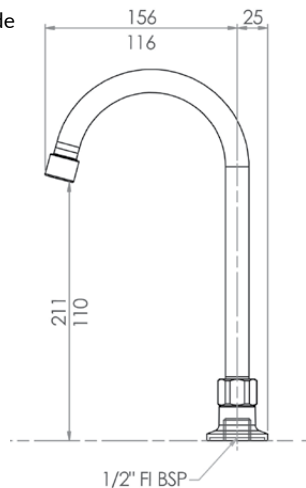
Top



Front



Side



# Commercial Tapware



# GUARDIAN<sup>®</sup> TAPWARE

## Exposed Wall Mount Body with Gooseneck Swivel Spout



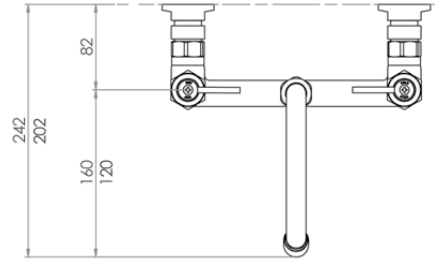
**T-3MEWG07** – 7" spout

**T-3MEWG12** – 12" spout

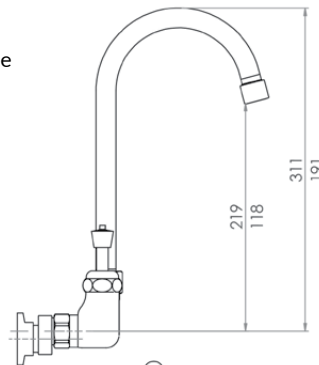
- Full S/S construction
- Exposed wall mount tap body including spreaders and ½ turn rising spindles
- Available with a 7" or 12" gooseneck spout – 4 star 7.5LPM
- Working pressure range 150kPa-500kPa
- Maximum operating temperature 80 degrees



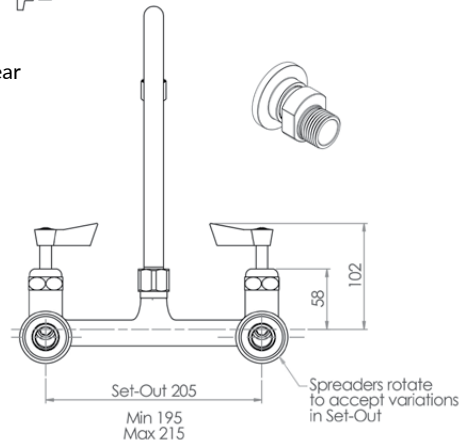
Top



Side



Rear



# Commercial Tapware



# GUARDIAN<sup>®</sup> TAPWARE

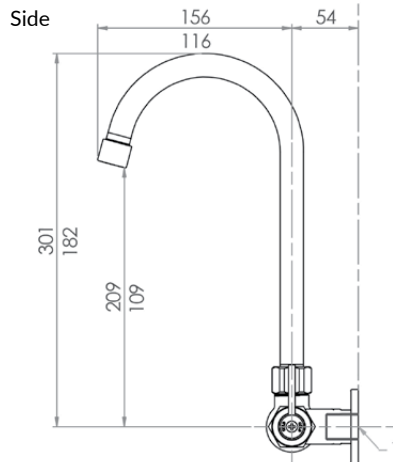
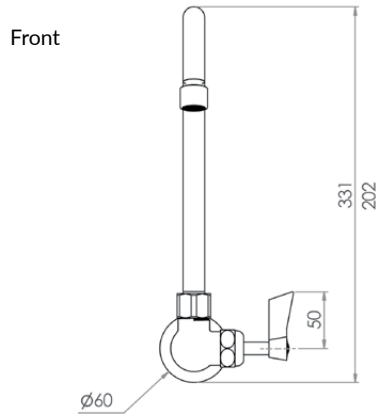
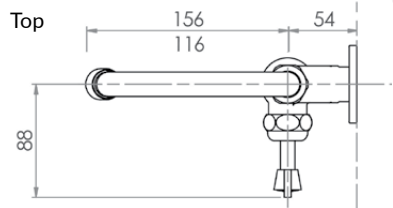
## Single Wall Mount Body with Gooseneck Swivel Spout



**T-3MSWG07** – 7" spout

**T-3MSWG12** – 12" spout

- Full S/S construction
- Single control tap for single temperature, cold or pre-mixed water
- ½" FI BSP inlet
- Available with a 7" or 12" gooseneck spout – 4 star 7.5LPM
- Working pressure range 150kPa-500kPa
- Maximum operating temperature 80 degrees



# Commercial Tapware



# GUARDIAN<sup>®</sup> TAPWARE

## Wall Elbow with Gooseneck Swivel Spout



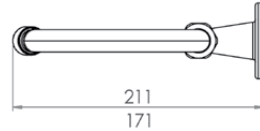
**T-3MWEG07** – 7" spout

**T-3MWEG12** – 12" spout

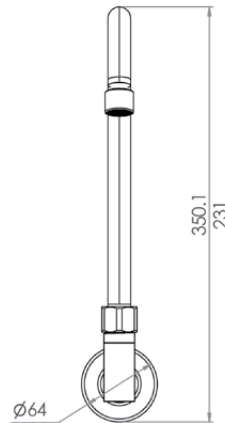
- Full S/S construction
- ½" FI BSP inlet
- Available with a 7" or 12" gooseneck spout – 4 star 7.5LPM
- Working pressure range 150kPa-500kPa
- Maximum operating temperature 80 degrees



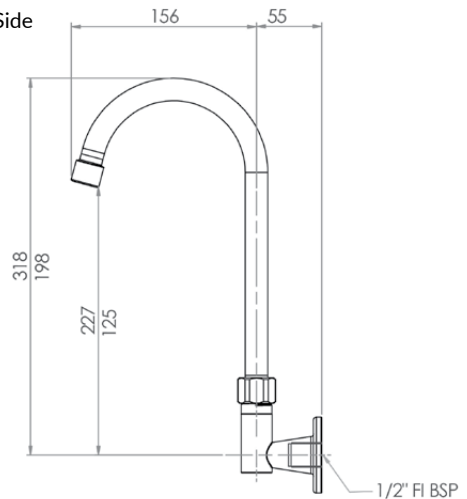
Top



Front



Side

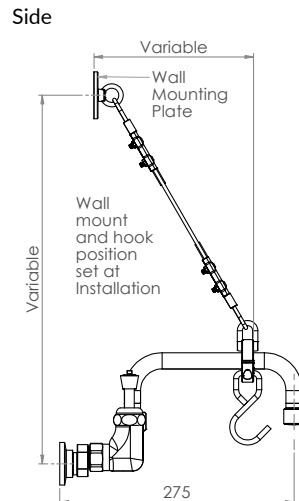
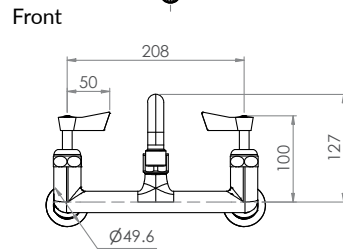
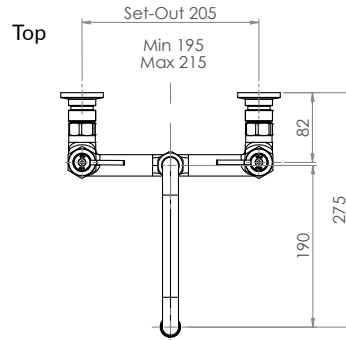


## Cleaners Sink Exposed Wall Mount Body with Fixed Spout and Wall Bracket



### T-3MCSKIT-E08

- Full S/S construction
- Exposed wall mount tap body including spreaders and ½ turn rising spindle
- Available with a fixed spout - WELS 3 star 8LPM
- ½" FI BSP inlets
- 275mm projection from wall
- Adjustable wire length on bracket
- Bucket hook on bracket
- Working pressure range 150kPa-500kPa
- Maximum operating temperature 80 degrees



# Commercial Tapware



# GUARDIAN<sup>®</sup> TAPWARE

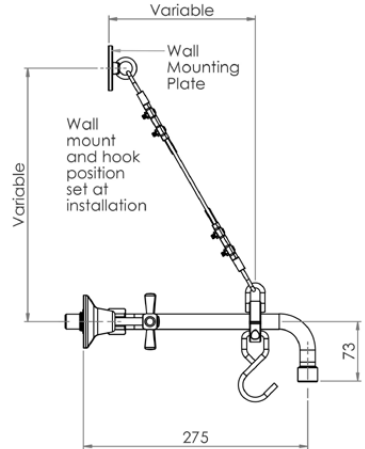
## Cleaners Sink Concealed Wall Mount Spout with Wall Stops and Wall Bracket



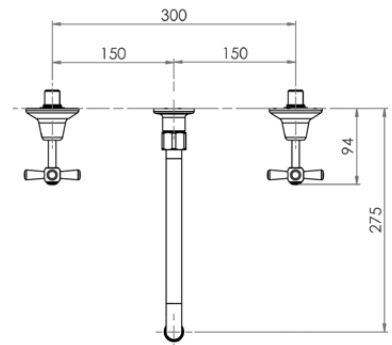
### T-3MCSKIT-C08

- Full S/S construction
- Straight spout with ¼ turn ceramic disc cross handle wall stops
- WELS 3 star 8LPM
- ½" FI BSP inlet
- 275mm projection
- Adjustable wire length on bracket
- Bucket hook on bracket
- Working pressure range 150kPa-500kPa
- Maximum operating temperature 80 degrees

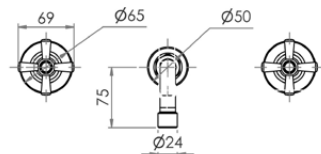
Side



Top



Front



## Single Hob Mounted Pot and Kettle Filler

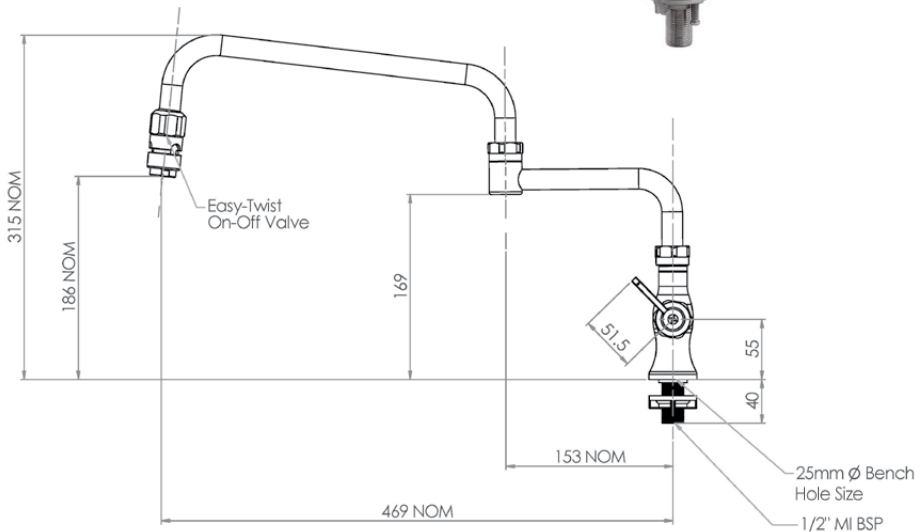


### T-3MSS-PKH

- Folding outlet and stop
- Single control tap for single temperature, cold or pre-mixed water
- ½" MI BSP inlet
- Fills pots and kettles fast
- WELS O Star 14LPM
- Working pressure range 150kPa-500kPa
- Maximum operating temperature 80 degrees



Side

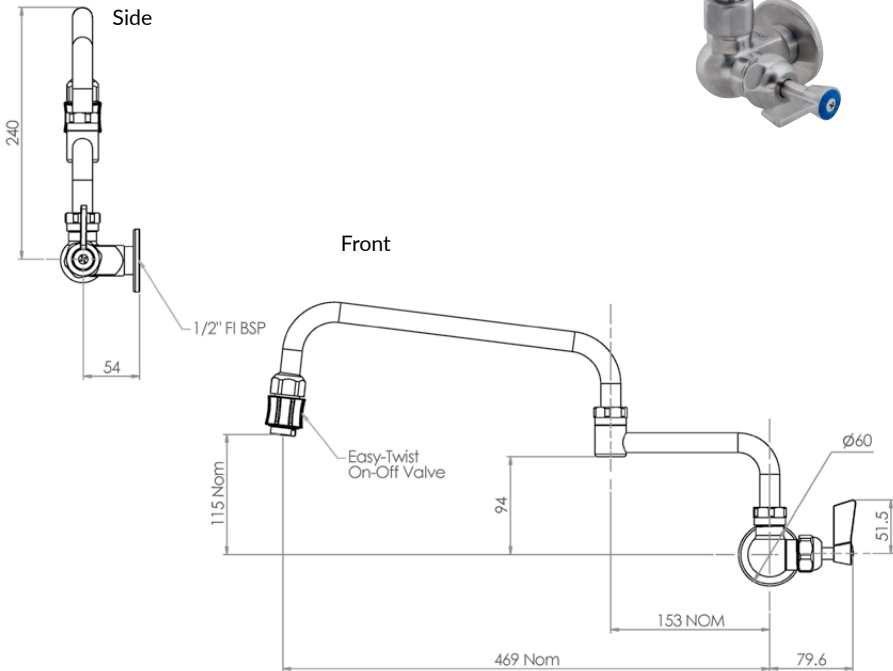


## Single Wall Mounted Pot and Kettle Filler



### T-3MSS-PKW

- Folding outlet and stop
- Single control tap for single temperature, cold or pre-mixed water
- ½" FI BSP inlet
- Fills pots and kettles fast
- WELS O Star 14LPM
- Working pressure range 150kPa-500kPa
- Maximum operating temperature 80 degrees





# Commercial Tapware



# GUARDIAN<sup>®</sup> TAPWARE

## Stainless Steel Sink and Basin Mixers

The sleek, sophisticated design of 3monkeez<sup>®</sup> basin and sink mixers make them ideal for your next project. The compact design of our basin mixers make them perfectly suited to bathroom basins, while our sink mixers are ideally suited to kitchen and laundry applications.

This versatile range also comes with the option of lever handles, to provide greater ease of operation and offer a solution for disability applications.



# Commercial Tapware



Watermark  
AS/NZS 3718  
21145



# GUARDIAN<sup>®</sup> TAPWARE

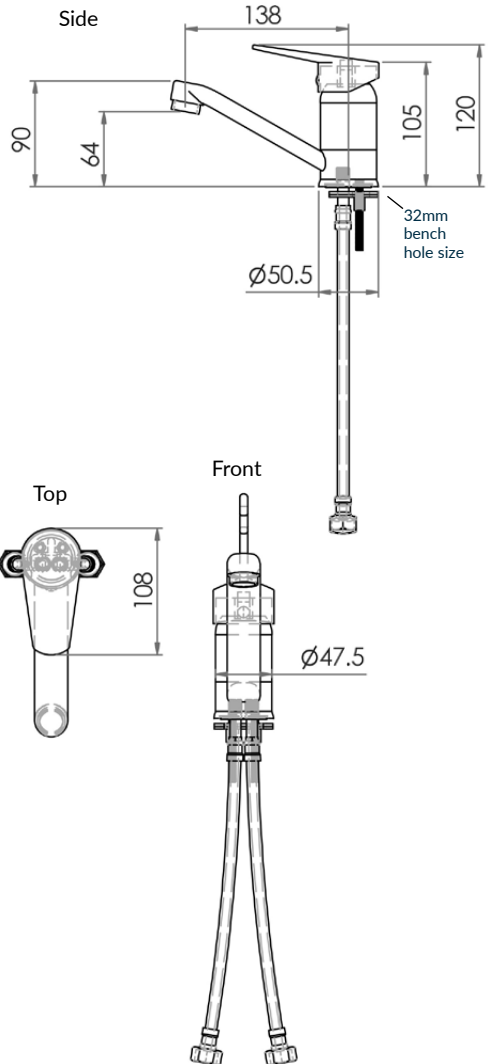
## Stainless Steel Swivel Basin Mixer



**T-3MB4MIX**

**T-3MB6MIX**

- Full S/S construction
- Available in WELS 4 star 7.5LPM or WELS 6 star 4.5LPM
- Includes flexi hoses ½" FI BSP
- Working pressure range 150kPa-500kPa
- Maximum operating temperature 80 degrees



# Commercial Tapware



Watermark  
AS/NZS 3718  
21145



# GUARDIAN<sup>®</sup> TAPWARE

## Stainless Steel Swivel Sink Mixer



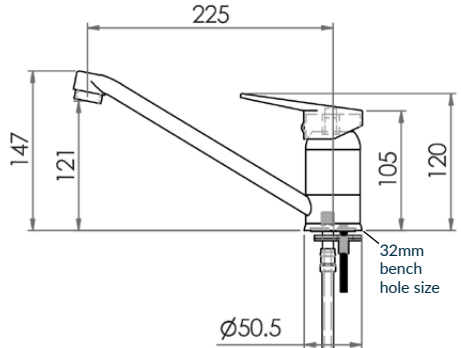
**T-3MS4MIX**

**T-3MS6MIX**

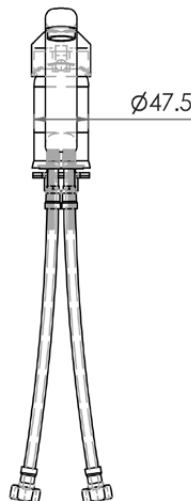
- Full S/S construction
- Available in WELS 4 star 7.5LPM or WELS 6 star 4.5LPM
- Includes flexi hoses - ½" FI BSP
- Working pressure range 150kPa-500kPa
- Maximum operating temperature 80 degrees



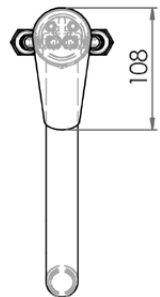
Side



Front



Top



# Commercial Tapware



# GUARDIAN<sup>®</sup> TAPWARE

## Stainless Steel Lever Handle Basin Mixer



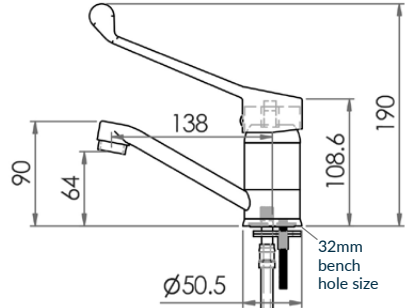
**T-3MLB4MIX**

**T-3MLB6MIX**

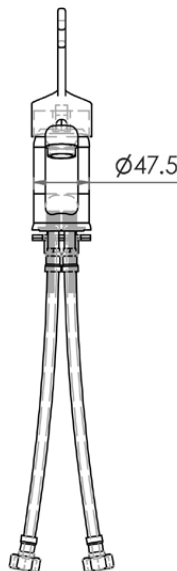
- Full S/S construction
- Lever handle for hands free operation
- Available in WELS 4 star 7.5LPM or WELS 6 star 4.5LPM
- Includes flexi hoses - ½" FI BSP
- Working pressure range 150kPa-500kPa
- Maximum operating temperature 80 degrees



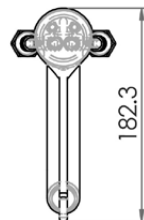
Side



Front



Top



# Commercial Tapware



# GUARDIAN<sup>®</sup> TAPWARE

## Stainless Steel Lever Handle Swivel Sink Mixer



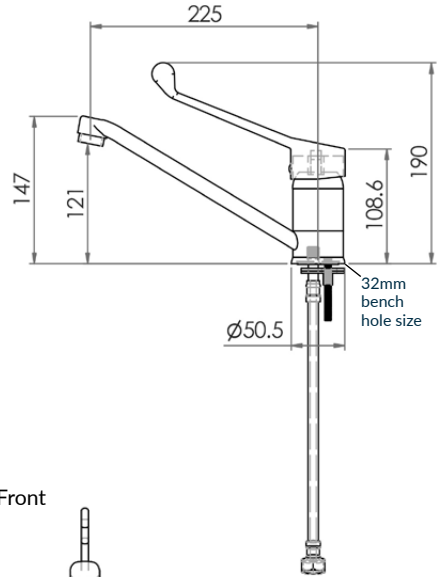
T-3MLS4MIX

T-3MLS6MIX

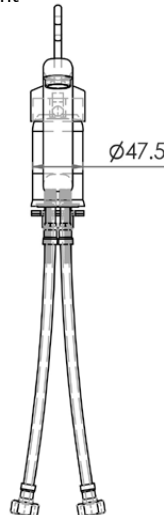
- Full S/S construction
- Lever handle for hands free operation
- Available in WELS 4 star 7.5LPM or WELS 6 star 4.5LPM
- Includes flexi hoses - ½" FI BSP
- Working pressure range 150kPa-500kPa
- Maximum operating temperature 80 degrees



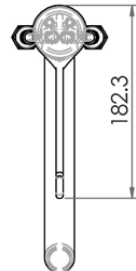
Side



Front



Top



# Commercial Tapware



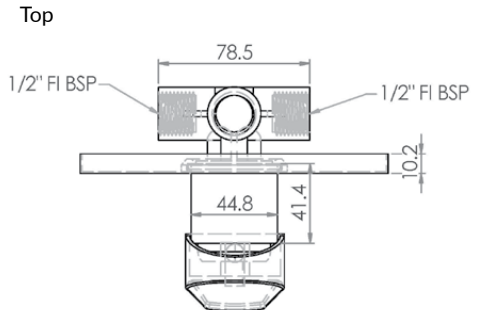
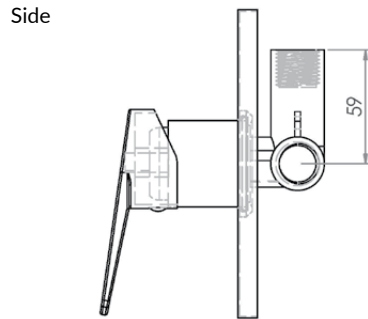
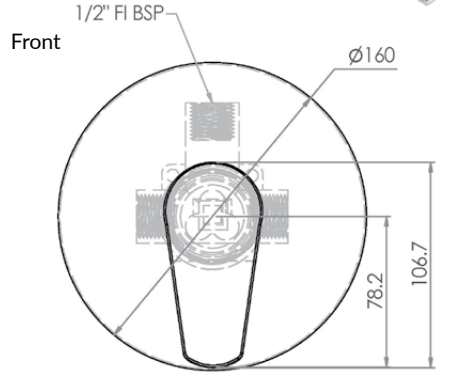
# GUARDIAN<sup>®</sup> TAPWARE

## Stainless Steel In Wall Mixer



### T-3MSSIWM

- Full S/S construction
- ½" FI BSP outlet & ½" FI BSP inlets
- Working pressure range 150kPa-500kPa
- Maximum operating temperature 80 degrees



# Commercial Tapware



# GUARDIAN TAPWARE®

## Zero Touch Range



3monkeez® new Sensor Range adds a hygienic finishing touch to every project. Leave behind germs, bacteria and viruses with tapware that use hands-free technology and infrared sensors to provide a reliable, contact-free solution. With sensor-operated Compact Bubblers, Bottle Fillers, and Bib and Pillar Taps, and flexible wall or hob mounted installation options, there is bound to be a hygienic hands-free option to suit your next project.

Constructed from 100% stainless steel these products also carry the Guardian Tapware® by 3monkeez® guarantee, offering not only attractive designs, but the strength, reliability and impressive water quality protection that can only be assured by stainless steel construction.



# Commercial Tapware



# GUARDIAN TAPWARE®

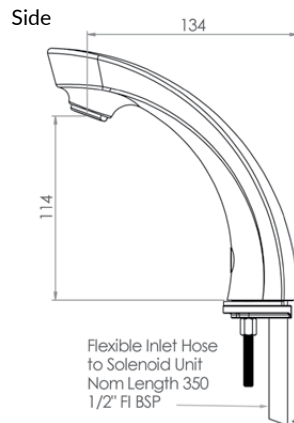
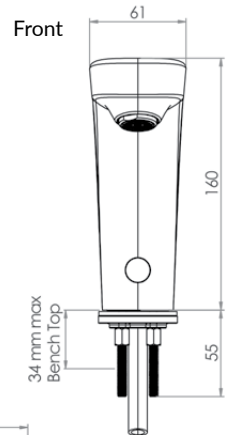
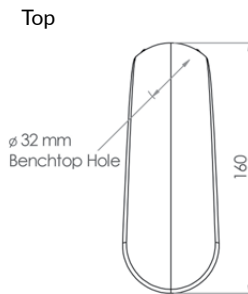
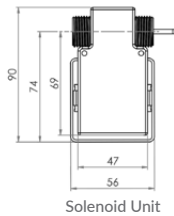
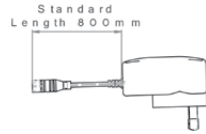
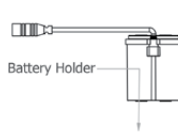
## Hob Mount Infrared Sensor Tap



- T-3MSS-HMSTB
- T-3MSS-HMSTB-TV
- T-3MSS-HMSTM
- T-3MSS-HMSTM-TV

Available in mains or battery powered, with optional tempering valve

- Battery powered – 2x CR123 3V Lithium Batteries
- Mains powered – 6V transformer
- Full S/S construction
- Sensor range nominal: 50mm – 200mm
- Maximum run time: 60 seconds
- WELS 6 Star 4LPM
- Working pressure range 150kPa-500kPa
- Maximum operating temperature 50 degrees



T-3MSSP-HMST-M

T-3MSSP-HMST-CBS

T-3MSSP-HMST-BP



T-3MSSP-HMST-3M

\* Power Supply with 3 metre lead available separately



## Wall Mounted Infrared Sensor Tap



### T-3MSS-WMSTB

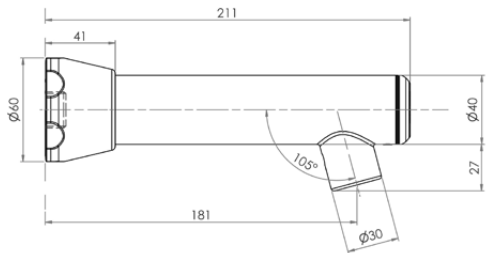
- Battery operated
- Infrared sensor
- ½" FI BSP
- Full S/S construction
- WELS 6 Star 3.5LPM
- Working pressure range 150kPa-500kPa
- Maximum operating temperature 50 degrees
- All in one, no external parts



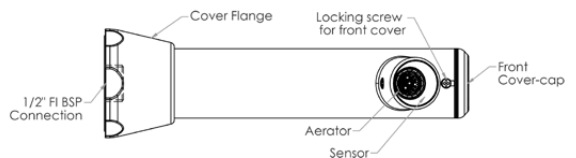
Front



Side



Bottom



# Commercial Tapware



Watermark  
AS/NZS 3718  
2014/5



# GUARDIAN<sup>®</sup> TAPWARE

## Pillar Tap with Hob Mount Sensor

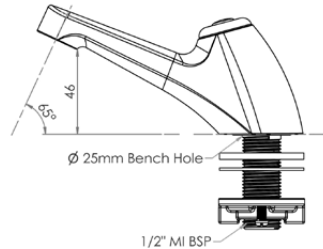


**T-3MSS-PTSB** (battery operated)

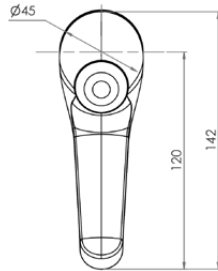
**T-3MSS-PTSM** (mains operated)

- Infrared 6 sec timed sensor
- Full S/S construction
- Equipped with 3monkeez sensor technology for hands-free operation
- Sensor is hob mounted
- Available as battery powered or mains operated
- 1/2" MI BSP Inlet
- WELS 6 Star 3LPM
- Working pressure range 150kPa-500kPa
- Maximum operating temperature 60 degrees

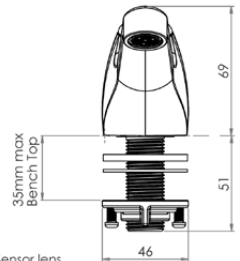
Side



Top



Front



Ø44

Sensor lens  
Ø16



[3monkeez.com.au](http://3monkeez.com.au)

# Commercial Tapware



# GUARDIAN<sup>®</sup> TAPWARE

## Pillar Tap with Wall Mount Sensor



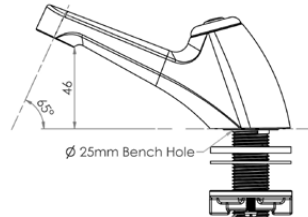
**T-3MSS-PTSWB** (battery operated)

**T-3MSS-PTSWM** (mains operated)

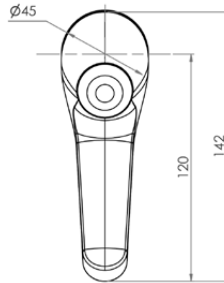
- Infrared 6 sec timed sensor
- Full S/S construction
- Equipped with 3monkeez sensor technology for hands-free operation
- Sensor is wall mounted
- Available as battery powered or mains operated
- 1/2" MI BSP Inlet
- WELS 6 Star 3LPM
- Working pressure range 150kPa-500kPa
- Maximum operating temperature 60 degrees



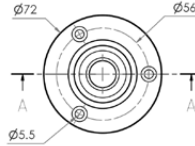
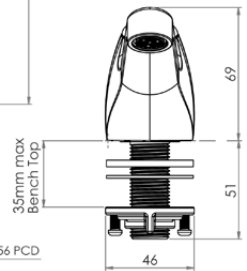
Side



Top



Front



Mounting Body



## Lever Handle Pillar Tap



**T-3MSS-PTML** – Mechanical Operation-On/Off

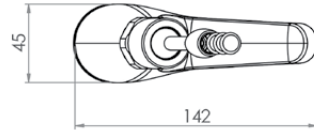
**T-3MSS-PT6L** – 6 Second Timed Flow

**T-3MSS-PT18L** – 18 Second Timed Flow

**T-3MSS-PTAL** – Adjustable Timed Flow

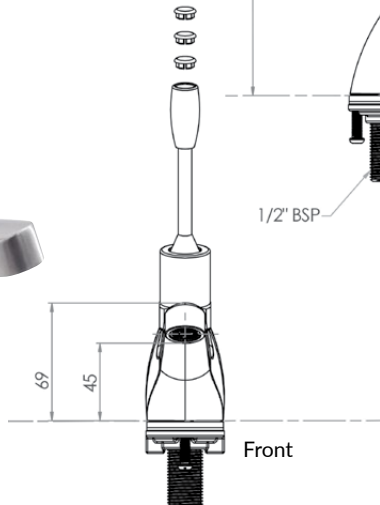
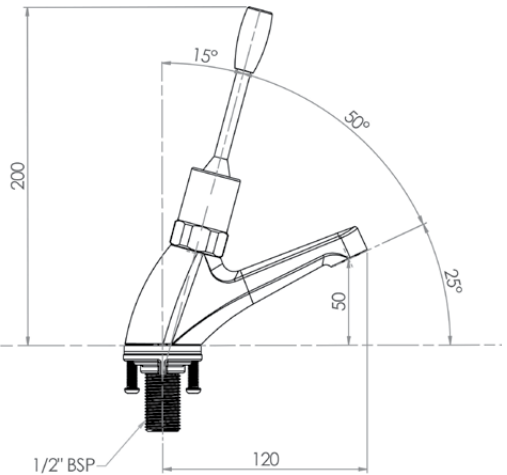
- Full S/S construction
- ½" MI BSP
- WELS 6 Star 3LPM
- Working pressure range 150kPa-500kPa
- Maximum operating temperature 60 degrees

Top



Side

Choose Button to indicate temperature



# Commercial Tapware



# GUARDIAN<sup>®</sup> TAPWARE

## Push Button Pillar Tap



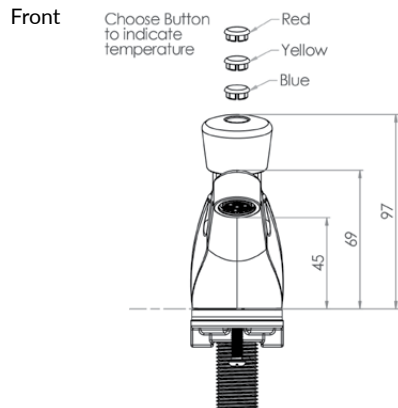
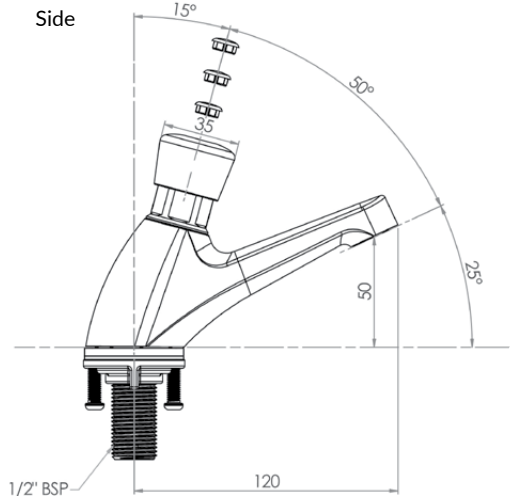
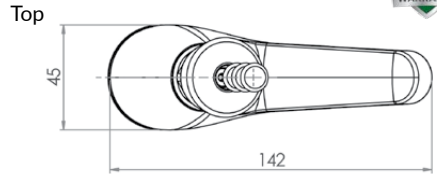
**T-3MSS-PTMPB** – Mechanical Operation-On/Off

**T-3MSS-PT6PB** – 6 Second Timed Flow

**T-3MSS-PT18PB** – 18 Second Timed Flow

**T-3MSS-PTAPB** – Adjustable Timed Flow

- Full S/S construction
- ½" MI BSP
- WELS 6 Star 3LPM
- Working pressure range 150kPa-500kPa
- Maximum operating temperature 60 degrees



## Bib Tap with Hob Mount Sensor

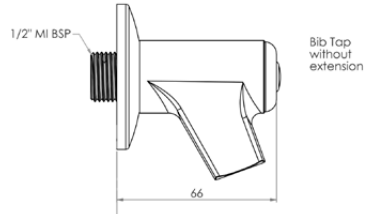


**T-3MSS-BTSB** (battery operated)

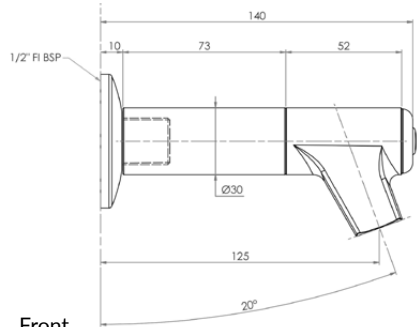
**T-3MSS-BTSM** (mains operated)

- Infrared 6 sec timed sensor
- Full S/S construction
- Equipped with 3monkeez sensor technology for hands-free operation
- Sensor is hob mounted
- Available as battery powered or mains operated
- 1/2" MI BSP
- 1/2" FI BSP extension piece included
- WELS 6 Star 3LPM
- Working pressure range 150kPa-500kPa
- Maximum operating temperature 60 degrees

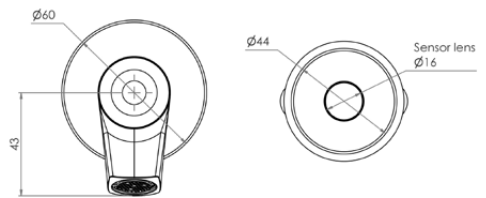
Side



Bib Tap without extension



Front



Sensor lens  
Ø16



## Bib Tap with Wall Mount Sensor

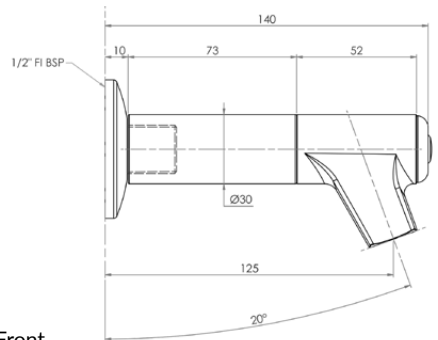
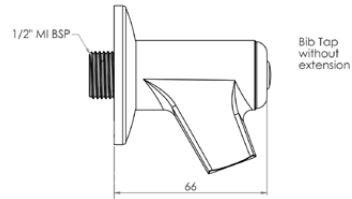


**T-3MSS-BTSWB** (battery operated)

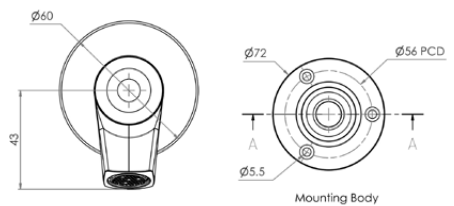
**T-3MSS-BTSM** (mains operated)

- Infrared 6 sec timed sensor
- Full S/S construction
- Equipped with 3monkeez sensor technology for hands-free operation
- Sensor is wall mounted
- Available as battery powered or mains operated
- 1/2" MI BSP
- 1/2" FI BSP extension piece included
- WELS 6 Star 3LPM
- Working pressure range 150kPa-500kPa
- Maximum operating temperature 60 degrees

Side



Front



# Commercial Tapware



# GUARDIAN<sup>®</sup> TAPWARE

## Lever Handle Bib Tap



**T-3MSS-BTML** – Mechanical Operation-On/Off

**T-3MSS-BT6L** – 6 Second Timed Flow

**T-3MSS-BT18L** – 18 Second Timed Flow

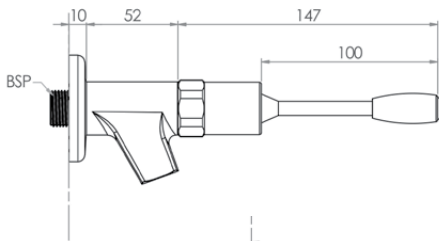
**T-3MSS-BTAL** – Adjustable Timed Flow

- Full S/S construction
- ½" MI BSP
- ½" FI BSP extension piece included
- WELS 6 Star 3LPM
- Working pressure range 150kPa-500kPa
- Maximum operating temperature 60 degrees

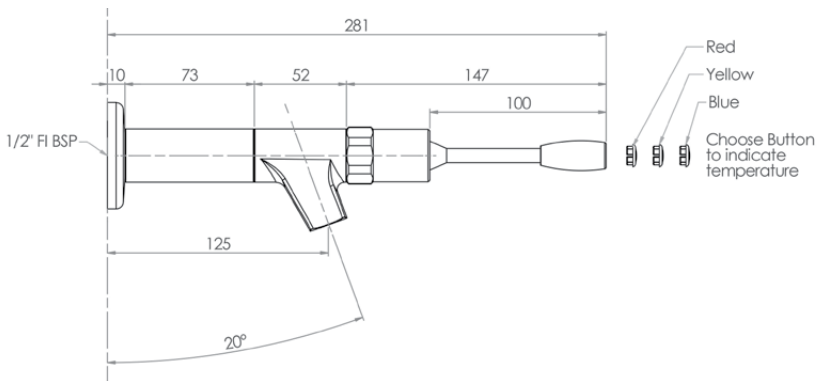
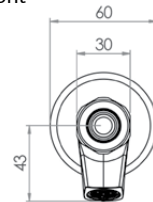


Side

Front



Without 73mm Extension





# Commercial Tapware



# GUARDIAN<sup>®</sup> TAPWARE

## Push Button Bib Tap

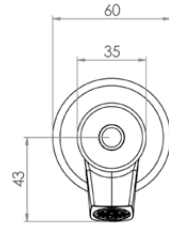


- T-3MSS-BTMPB – Mechanical Operation-On/Off
- T-3MSS-BT6PB – 6 Second Timed Flow
- T-3MSS-BT18PB – 18 Second Timed Flow
- T-3MSS-BTAPB – Adjustable Timed Flow

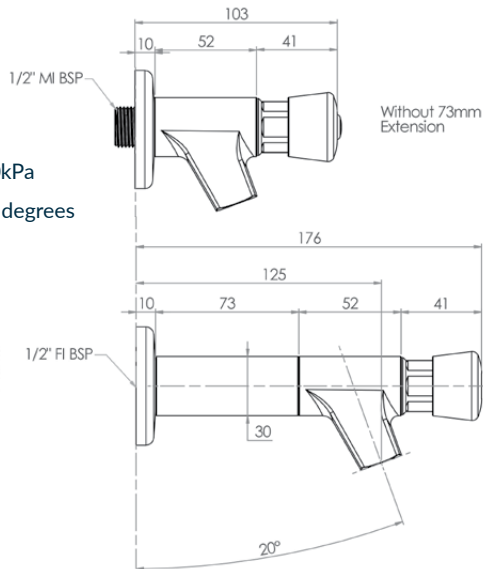
- Full S/S construction
- ½" MI BSP
- ½" FI BSP extension piece included
- WELS 6 Star 3LPM
- Working pressure range 150kPa-500kPa
- Maximum operating temperature 60 degrees



Front



Side



Red  
Yellow  
Blue

Choose Button to indicate temperature

## Adjustable Bib and Pillar Taps

3monkeez are first to offer a fully adjustable time flow cartridge as an option for Bib and Pillar Taps.

This unique feature allows the shut off time of the tap to be easily adjusted between 0 seconds (on/off) to 18 seconds plus; giving you the flexibility to vary the flow time to suit any application or requirement. Results may vary to due different pressures.

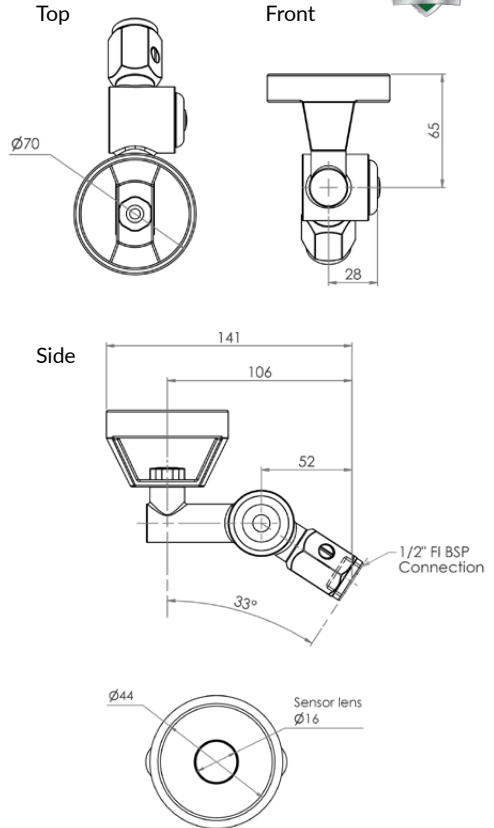
## 45 Degree Metal Mouthguard Bubbler with Hob Mount Sensor



**T-3MSS-BUB45SB** (battery operated)

**T-3MSS-BUB45SM** (mains operated)

- Infrared 6 sec timed sensor
- Full S/S construction
- Equipped with 3monkeez sensor technology for hands-free operation
- Sensor is hob mounted
- Available as battery powered or mains operated
- 1/2" FI BSP Inlet
- Ideally suited for use with 3monkeez PT-7 troughs
- WELS 6 Star 1.5LPM
- Working pressure range 150kPa-500kPa
- Maximum operating temperature 40 degrees



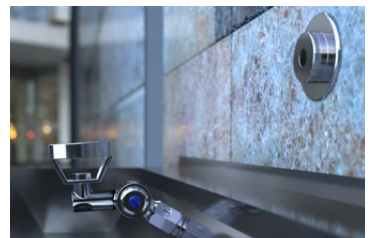
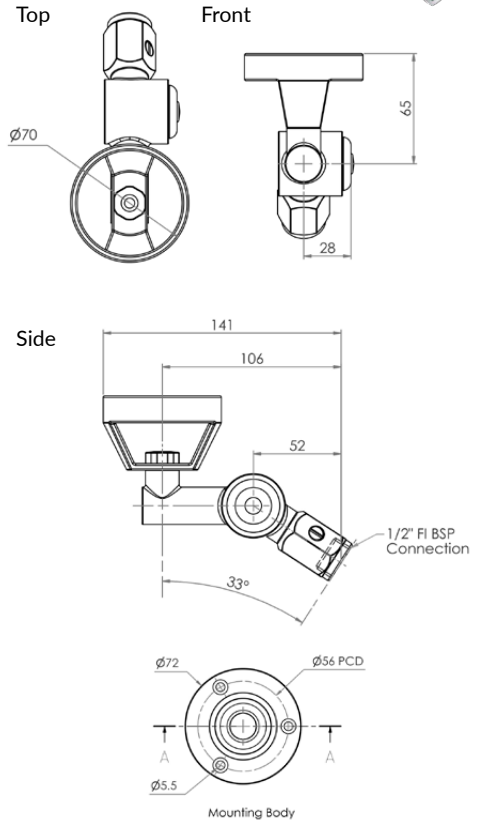
## 45 Degree Metal Mouthguard Bubbler with Wall Mount Sensor



**T-3MSS-BUB45SWB** (battery operated)

**T-3MSS-BUB45SWM** (mains operated)

- Infrared 6 sec timed sensor
- Full S/S construction
- Equipped with 3monkeez sensor technology for hands-free operation
- Sensor is wall mounted
- Available as battery powered or mains operated
- ½" FI BSP Inlet
- WELS 6 Star 1.5LPM
- Working pressure range 150kPa-500kPa
- Maximum operating temperature 40 degrees



## 45 Degree Cam Action Bubbler With Metal Mouthguard

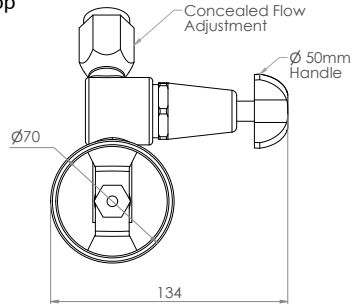


### T-3MSS-BUB45C

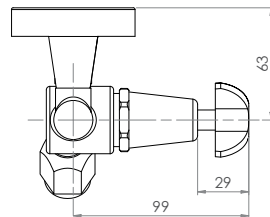
- Full S/S construction
- Self-closing valves for water efficiency
- Ideally suited for our PT-7 troughs
- Working pressure range 150kPa-500kPa
- Maximum operating temperature 40 degrees
- WELS 6 Star 1.5LPM



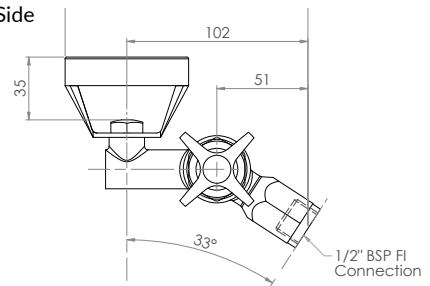
Top



Front



Side



## 45 Degree Bubblers

The 3monkeez<sup>®</sup> premium range of bubblers have been designed with durability and versatility in mind. Constructed from complete stainless steel and available with three different handle options, there is bound to be an option to suit your next project.

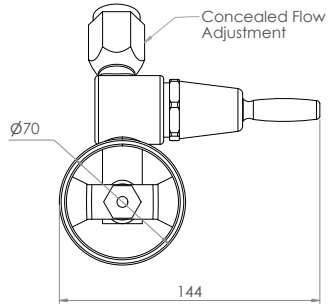
## 45 Degree Lever Handle Bubbler With Metal Mouthguard



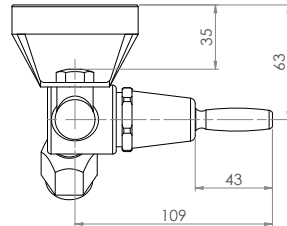
### T-3MSS-BUB45L

- Full S/S construction
- Self-closing valves for water efficiency
- Ideally suited for our PT-7 troughs
- Working pressure range 150kPa-500kPa
- Maximum operating temperature 40 degrees
- WELS 6 Star 1.5LPM

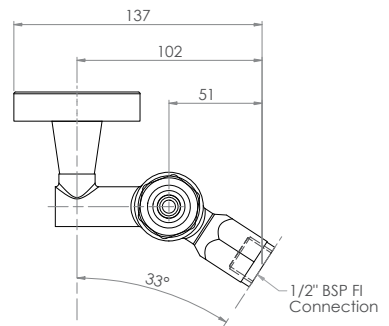
Top



Front



Side



## 45 Degree Push Button Bubbler With Metal Mouthguard

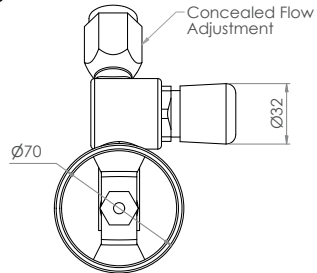


### T-3MSS-BUB45P

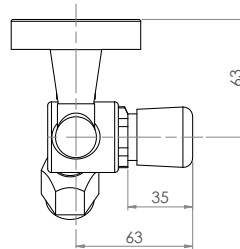
- Full S/S construction
- Self-closing valves for water efficiency
- Ideally suited for our PT-7 troughs
- Working pressure range 150kPa-500kPa
- Maximum operating temperature 40 degrees
- WELS 6 Star 1.5LPM



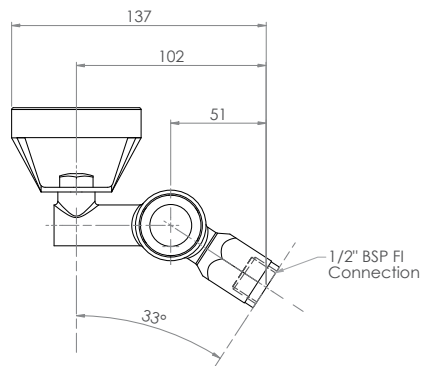
Top



Front



Side



## 45 Degree Silicone Mouthguard Bubbler with Hob Mount Sensor

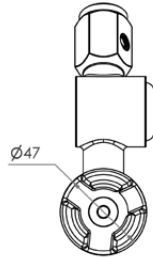


**T-3MSS-BUBS45SB** (*battery operated*)

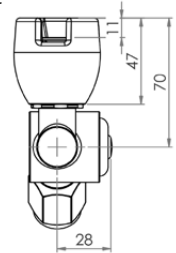
**T-3MSS-BUBS45SM** (*mains operated*)

- Infrared 6 sec timed sensor
- Full S/S construction
- Equipped with 3monkeez sensor technology for hands-free operation
- Sensor is hob mounted
- Available as battery powered or mains operated
- ½" FI BSP Inlet
- Ideally suited for use with 3monkeez PT-7 troughs
- Unique rubber mouthguard that protects teeth
- WELS 6 Star 1.5LPM
- Working pressure range 150kPa-500kPa
- Maximum operating temperature 40 degrees

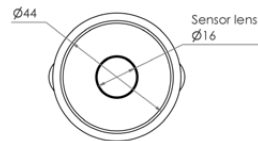
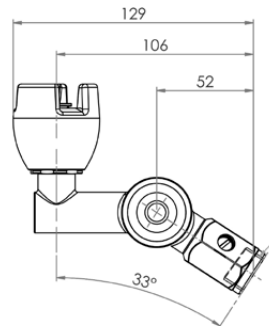
Top



Front



Side



## 45 Degree Silicone Mouthguard Bubbler with Wall Mount Sensor

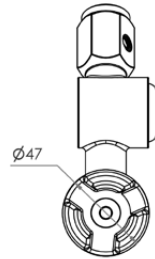


**T-3MSS-BUBS45SWB** (battery operated)

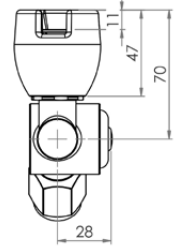
**T-3MSS-BUBS45SWM** (mains operated)

- Infrared 6 sec timed sensor
- Full S/S construction
- Equipped with 3monkeez sensor technology for hands-free operation
- Sensor is wall mounted
- Available as battery powered or mains operated
- ½" FI BSP Inlet
- Ideally suited for use with 3monkeez PT-7 troughs
- Unique rubber mouthguard that protects teeth
- WELS 6 Star 1.5LPM
- Working pressure range 150kPa-500kPa
- Maximum operating temperature 40 degrees

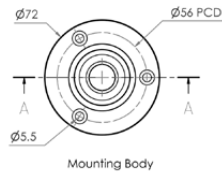
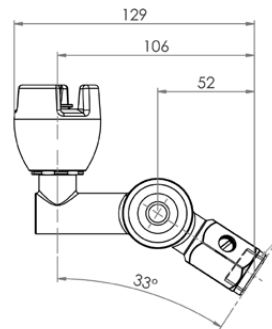
Top



Front



Side





## 45 Degree Cam Action Bubbler With Silicone Mouthguard

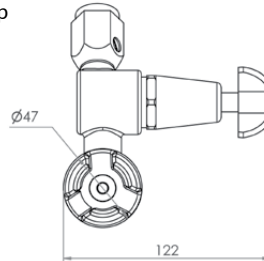


### T-3MSS-BUBS45C

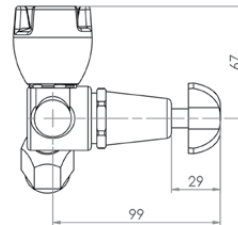
- Full S/S construction
- Self-closing valves for water efficiency
- Ideally suited for our PT-7 troughs
- Unique silicone mouthguard that protects teeth
- Working pressure range 150kPa-500kPa
- Maximum operating temperature 40 degrees
- WELS 6 Star 1.5LPM



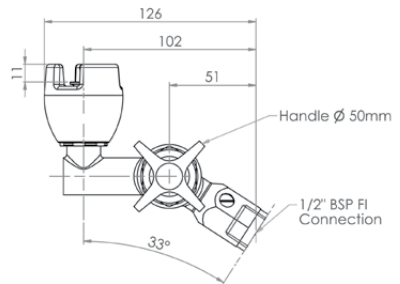
Top



Front



Side



## 45 Degree Lever Handle Bubbler With Silicone Mouthguard

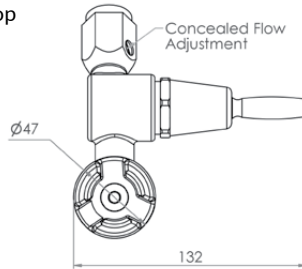


### T-3MSS-BUBS45L

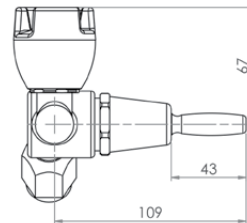
- Full S/S construction
- Self-closing valves for water efficiency
- Ideally suited for our PT-7 troughs
- Unique silicone mouthguard that protects teeth
- Working pressure range 150kPa-500kPa
- Maximum operating temperature 40 degrees
- WELS 6 Star 1.5LPM



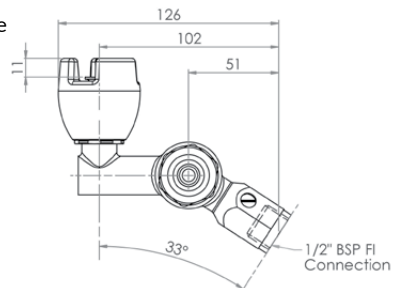
Top



Front



Side



## 45 Degree Push Button Bubbler With Silicone Mouthguard

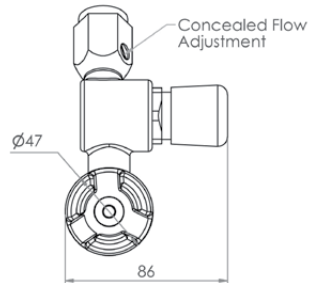


### T-3MSS-BUBS45P

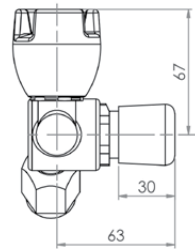
- Full S/S construction
- Self-closing valves for water efficiency
- Ideally suited for our PT-7 troughs
- Unique silicone mouthguard that protects teeth
- Working pressure range 150kPa-500kPa
- Maximum operating temperature 40 degrees
- WELS 6 Star 1.5LPM



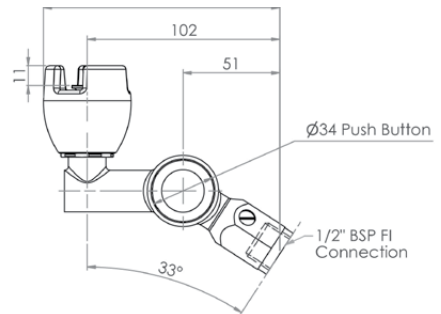
Top



Front



Side



## Wall Mount Silicone Mouthguard Bubbler with Hob Mount Sensor

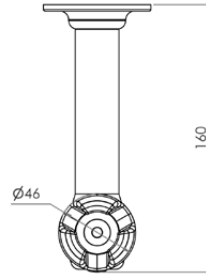


**T-3MSS-BUB90SB** (battery operated)

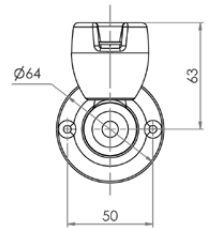
**T-3MSS-BUB90SM** (mains operated)

- Infrared 6 sec timed sensor
- Full S/S construction
- Equipped with 3monkeez sensor technology for hands-free operation
- Sensor is hob mounted
- Available as battery powered or mains operated
- ½" FI BSP Inlet
- Unique rubber mouthguard that protects teeth
- WELS 6 Star 1.5LPM
- Working pressure range 150kPa-500kPa
- Maximum operating temperature 40 degrees

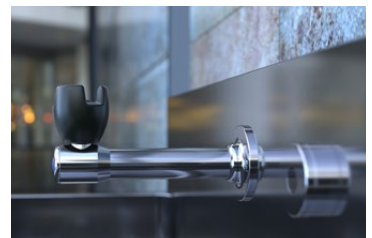
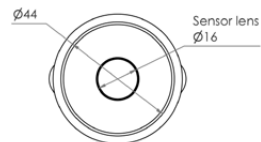
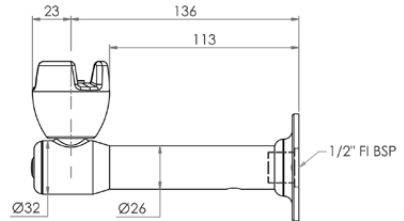
Top



Front



Side



## Wall Mount Silicone Mouthguard Bubbler with Wall Mount Sensor



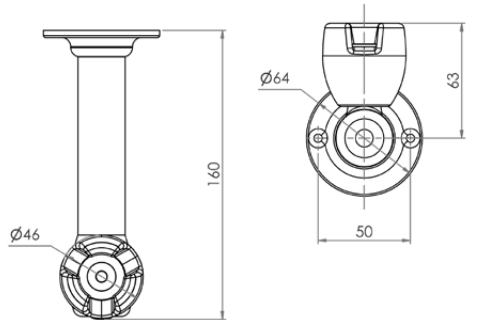
**T-3MSS-BUB90SWB** (battery operated)

**T-3MSS-BUB90SWM** (mains operated)

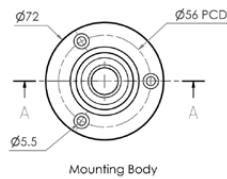
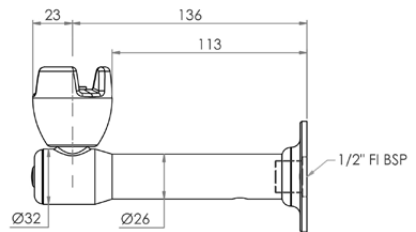
- Infrared 6 sec timed sensor
- Full S/S construction
- Equipped with 3monkeez sensor technology for hands-free operation
- Sensor is wall mounted
- Available as battery powered or mains operated
- ½" FI BSP Inlet
- Unique rubber mouthguard that protects teeth
- WELS 6 Star 1.5LPM
- Working pressure range 150kPa-500kPa
- Maximum operating temperature 40 degrees

Top

Front



Side



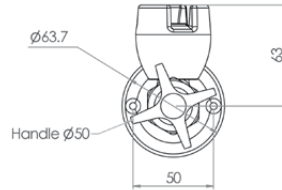
## Wall Mount Cam Action Bubbler With Silicone Mouthguard



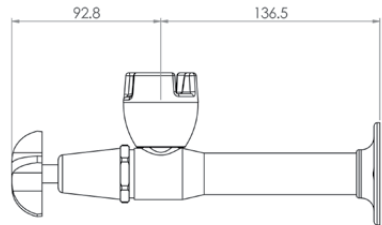
### T-3MSS-BUB90C

- Full S/S construction
- Unique silicone mouthguard that protects teeth
- ½" FI BSP inlet
- Self-closing valves for water efficiency
- Working pressure range 150kPa-500kPa
- Maximum operating temperature 40 degrees
- WELS 6 Star 1.5LPM

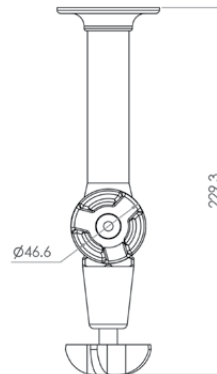
Front



Side



Top



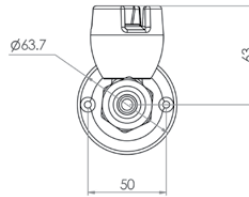
## Wall Mount Lever Handle Bubbler With Silicone Mouthguard



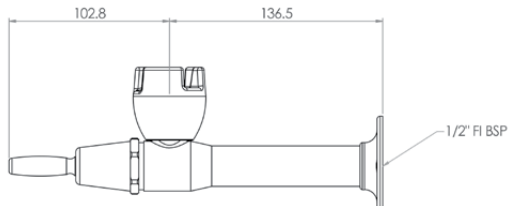
### T-3MSS-BUB90L

- Full S/S construction
- Unique silicone mouthguard that protects teeth
- ½" FI BSP inlet
- Self-closing valves for water efficiency
- Working pressure range 150kPa-500kPa
- Maximum operating temperature 40 degrees
- WELS 6 Star 1.5LPM

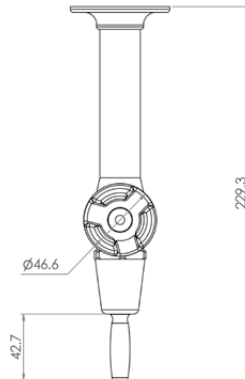
Front



Side



Top



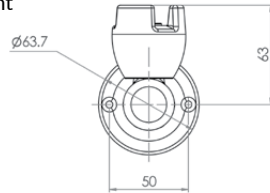
## Wall Mount Push Button Bubbler With Silicone Mouthguard



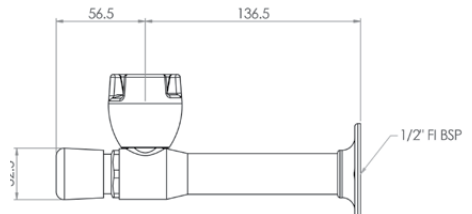
### T-3MSS-BUB90P

- Full S/S construction
- Unique silicone mouthguard that protects teeth
- ½" FI BSP inlet
- Self-closing valves for water efficiency
- Working pressure range 150kPa-500kPa
- Maximum operating temperature 40 degrees
- WELS 6 Star 1.5LPM

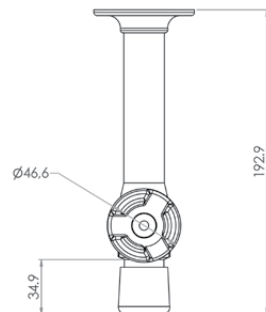
Front



Side



Top





# Commercial Tapware



# GUARDIAN<sup>®</sup> TAPWARE

## Timed Sensor Compact Bubbler



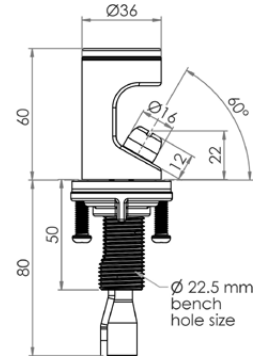
**T-3MSS-BUBCSB** (battery operated)

**T-3MSS-BUBCSM** (mains operated)

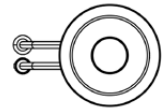
- Infrared 6 sec timed sensor
- Includes flexi hose – ½" FI BSP
- Full S/S construction
- WELS 6 Star 2.5LPM
- Working pressure range 150kPa-500kPa
- Maximum operating temperature 40 degrees



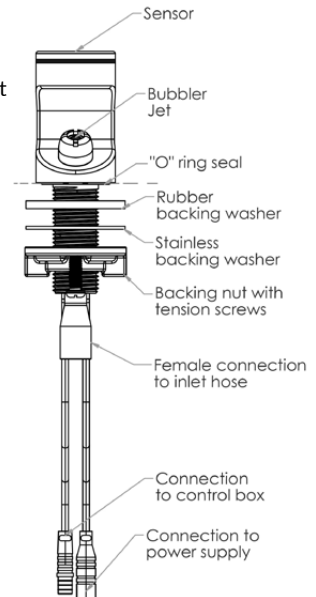
Side



Top



Front



# Commercial Tapware



# GUARDIAN<sup>®</sup> TAPWARE

## Compact Lever Handle Bubblers

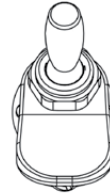


### T-3MSS-BUBCLH

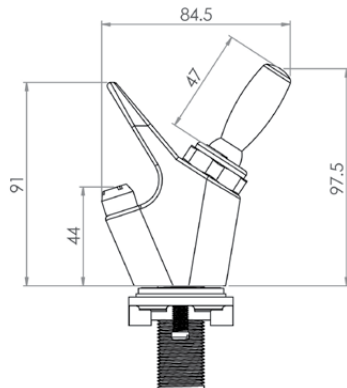
- Full S/S construction
- ½" MI BSP inlet
- Compact and hygienic
- WELS 6 Star 1.5LPM
- Working pressure range 150kPa-500kPa
- Maximum operating temperature 40 degrees



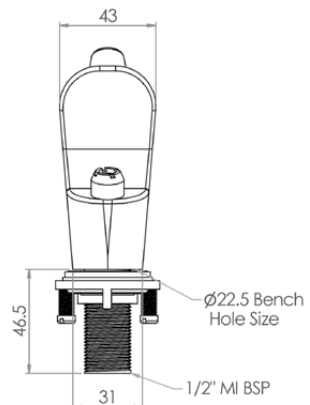
Top



Side



Front



## Compact Push Button Bubbler



### T-3MSS-BUBCPB

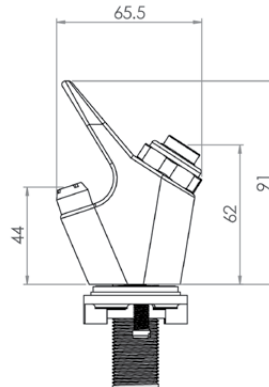
- Full S/S construction
- ½" MI BSP inlet
- Compact and hygienic
- WELS 6 Star 1.5LPM
- Working pressure range 150kPa-500kPa
- Maximum operating temperature 40 degrees



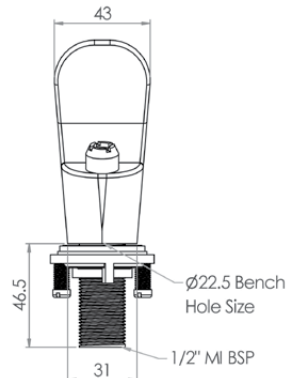
Top



Side



Front



## Wall Mount Bottle Filler with Hob Mount Sensor

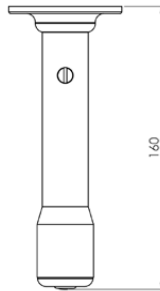


**T-3MSS-BFSB** (battery operated)

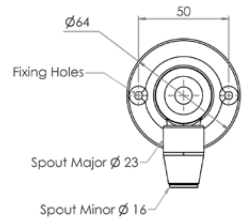
**T-3MSS-BFSM** (mains operated)

- Infrared 6 sec timed sensor
- Full S/S construction
- Equipped with 3monkeez sensor technology for hands-free operation
- Sensor is hob mounted
- Available as battery powered or mains operated
- ½" FI BSP Inlet
- WELS 6 Star 1.5LPM
- Working pressure range 150kPa-500kPa
- Maximum operating temperature 40 degrees

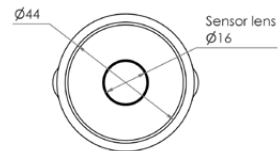
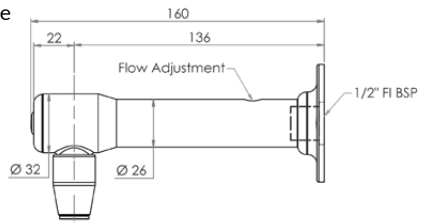
Top



Front



Side



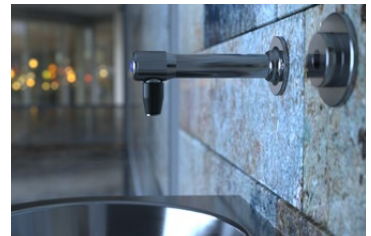
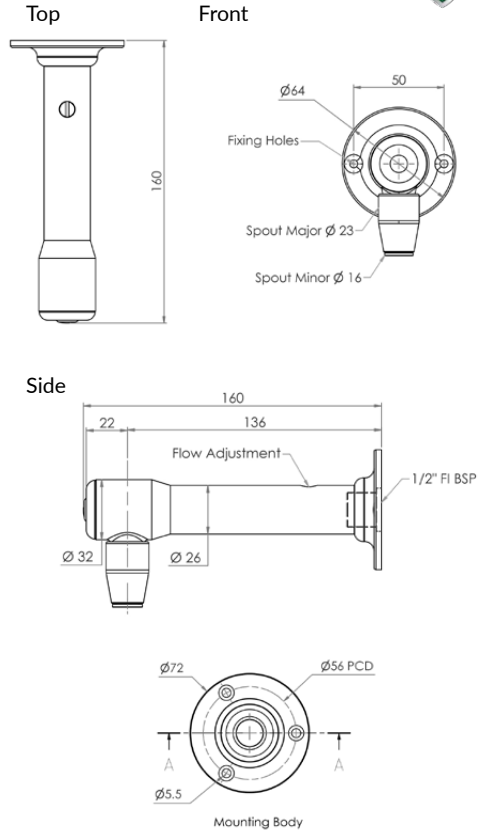
## Wall Mount Bottle Filler with Wall Mount Sensor



**T-3MSS-BFSWB** (battery operated)

**T-3MSS-BFSWM** (mains operated)

- Infrared 6 sec timed sensor
- Full S/S construction
- Equipped with 3monkeez sensor technology for hands-free operation
- Sensor is wall mounted
- Available as battery powered or mains operated
- ½" FI BSP Inlet
- WELS 6 Star 1.5LPM
- Working pressure range 150kPa-500kPa
- Maximum operating temperature 40 degrees



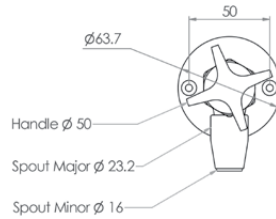
## Wall Mount Cam Action Bottle Filler



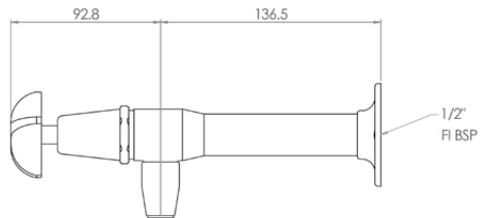
### T-3MSS-BFC

- Full S/S construction
- ½" FI BSP inlet
- Self-closing valves for water efficiency
- WELS 6 Star 1.5LPM
- Working pressure range 150kPa-500kPa
- Maximum operating temperature 40 degrees

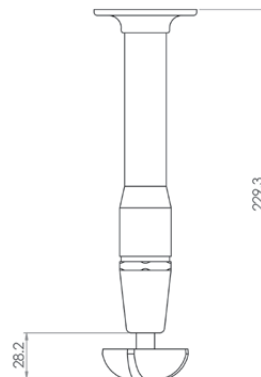
Front



Side



Top



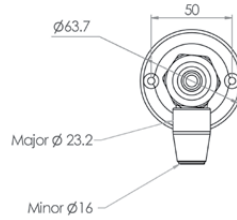
## Wall Mount Lever Handle Bottle Filler



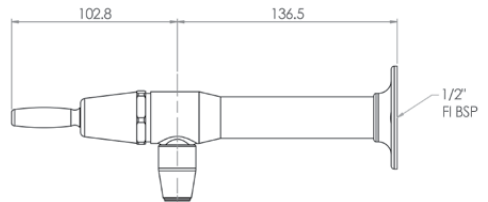
### T-3MSS-BFL

- Full S/S construction
- ½" FI BSP inlet
- Self-closing valves for water efficiency
- WELS 6 Star 1.5LPM
- Working pressure range 150kPa-500kPa
- Maximum operating temperature 40 degrees

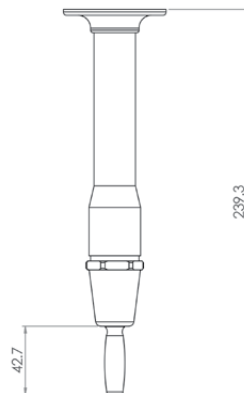
Front



Side



Top



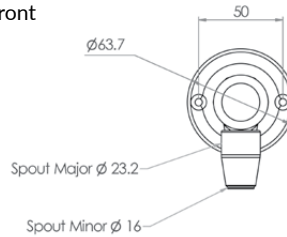
## Wall Mount Push Button Bottle Filler



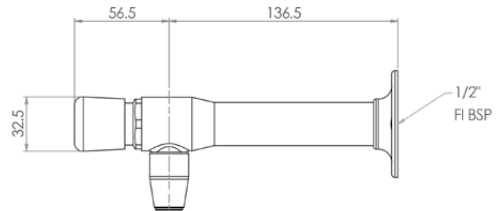
### T-3MSS-BFP

- Full S/S construction
- ½" FI BSP inlet
- Self-closing valves for water efficiency
- WELS 6 Star 1.5LPM
- Working pressure range 150kPa-500kPa
- Maximum operating temperature 40 degrees

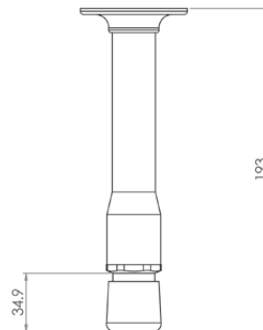
Front



Side



Top





# Commercial Tapware



# GUARDIAN<sup>®</sup> TAPWARE

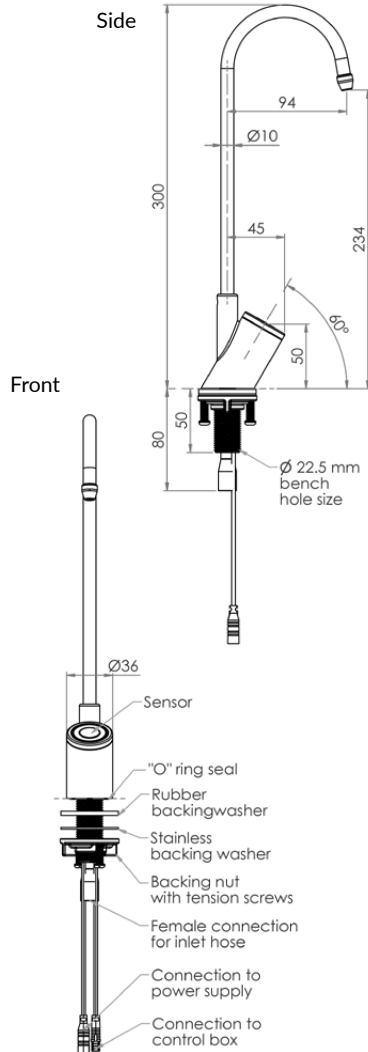
## Hob Mount Sensor Bottle Filler



**T-3MSS-HMSBFB** (battery operated)

**T-3MSS-HMSBFM** (mains operated)

- Battery operated or mains powered
- Infrared sensor
- Spout locks into 8 different positions
- Includes flexi hose – ½" FI BSP
- Full S/S construction
- WELS 6 Star 2.5LPM
- Working pressure range 150kPa-500kPa
- Maximum operating temperature 70 degrees



## Knee & Foot Valves

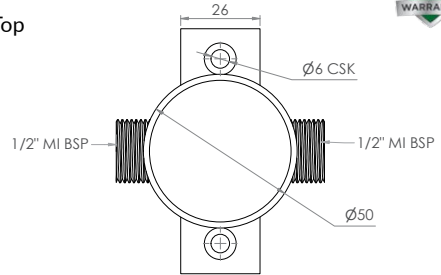


### P-3MSS-FVM

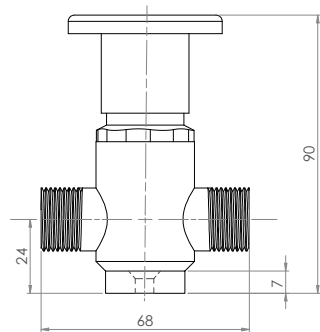
Foot/Knee Operated Valve 90 Degree Mount.  
1/2" MI Connections.



Top



Front

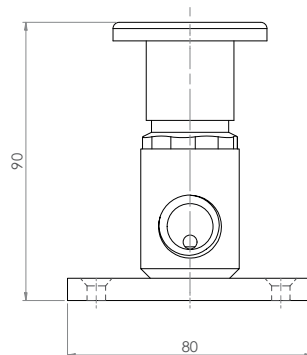


### P-3MSS-45B

■ Angled floor bracket suits P-3MSS-FVATF,  
P-3MSS-FVATF and P-3MSS-FVM



Side



### P-3MSSP-FVMTA

■ Replacement top assembly

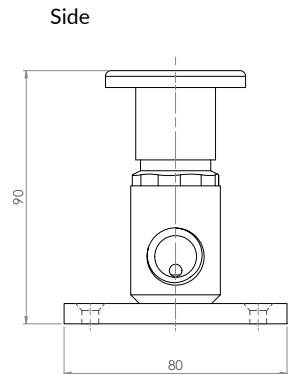
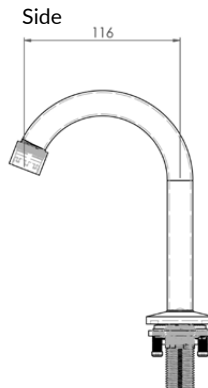
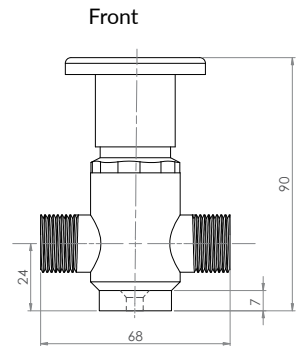
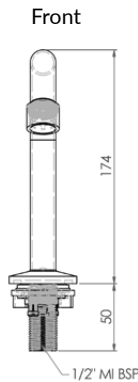
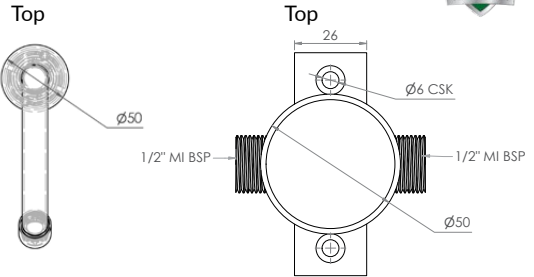


## Foot Operated Valve Kit



P-PTKNEEKIT-T (includes tempering valve)  
P-PTKNEEKIT

- Foot Operated Valve Kit.  
Includes 1x Foot Valve, 1x Spout (WELS 4star, 6.5 LPM), 2x Cover Plates, 2x Mini Stops, 2x 1000mm Flexi Hoses



- Optional angled floor bracket P-3MSS-45B



## Knee & Foot Valves



### P-3MSS-FVTF

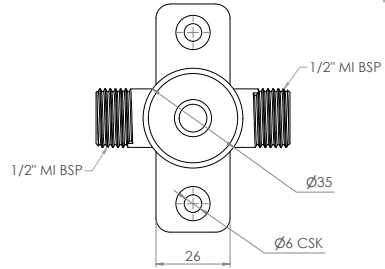
- 18 Second Timed Flow Foot/Knee Operated Valve 90 Degree Mount. 1/2" MI Connections.

### P-3MSS-FVATF

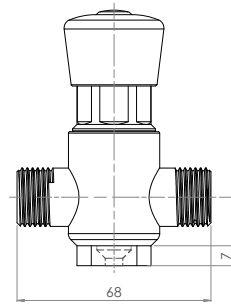
- Adjustable Timed Flow Foot/Knee Operated Valve 90 Degree Mount. 1/2" MI Connections.



Top

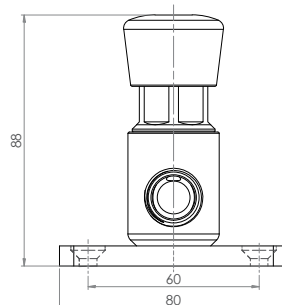


Front



Side

Choose cover cap to indicate temperature



### P-3MSS-45B

- Angled floor bracket suits P-3MSS-FVATF, P-3MSS-FVATF and P-3MSS-FVM



### T-3MSSP-FVFTA

### T-3MSSP-FVAFTA

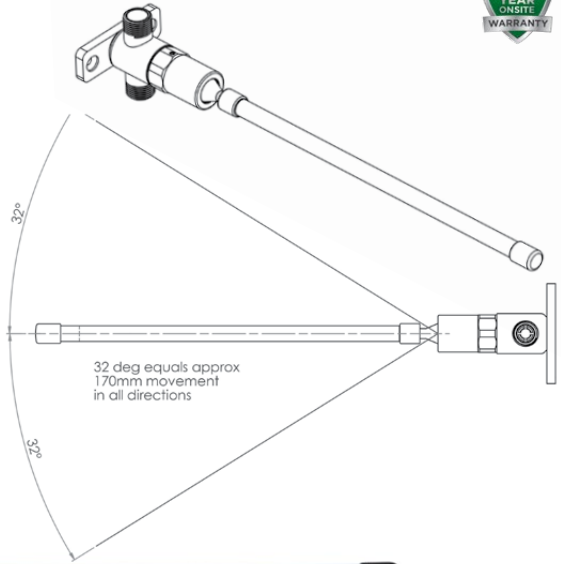
- Replacement top assembly

## Knee Operated Wand Valve

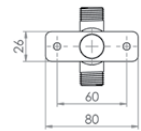
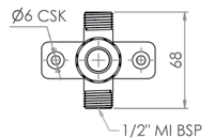


### P-3MSS-KWA

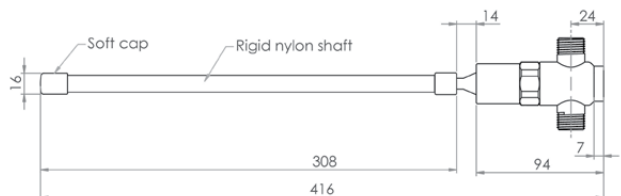
- Full S/S body with nylon wand
- Timed flow shut off
- Hands free operation
- Robust lever for heavy usage
- The knee lever can be operated in any direction to activate water flow
- Adjustable 0-18 seconds
- Working pressure range 150 - 500kPa



Front



Top



### T-3MSSP-KW

- Replacement to wand and spring

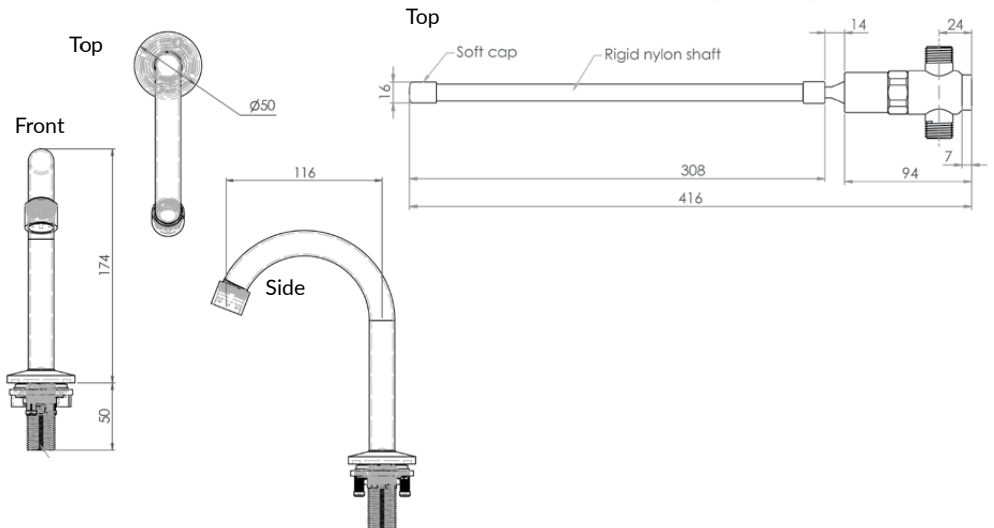
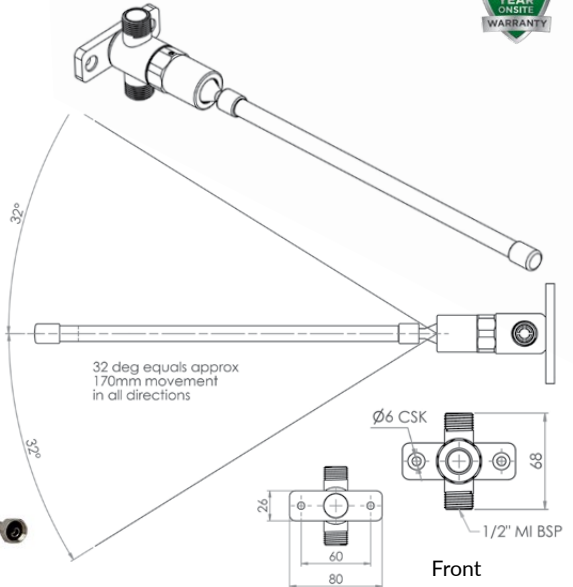


## Knee Operated Valve Kit



### TP08045K

- Knee Operated Valve Kit. Includes 1x Knee Wand, 1x Spout (WELS 4star, 6.5 LPM), 2x Cover Plates, 2x Mini Stops, 1x 300mm and 1x 450mm Flexi Hoses



# Commercial Tapware

## Cleaners Sink Tap Set

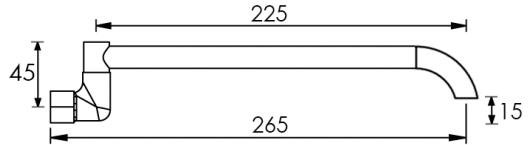
T-3MCSTS (complete set)

T-3MCSS (spout only)

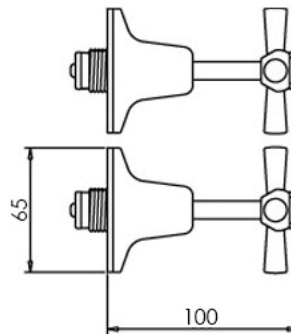
T-3MCSWS (wall stops only)



T-3MCSS



T-3MCSWS



# Commercial Tapware

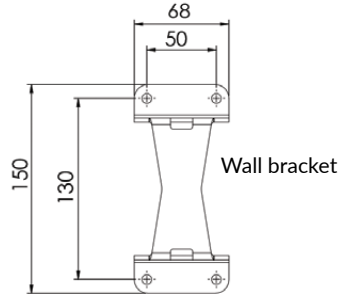
## Hot Wash Reel & Trigger Valve

**T-TWHWR1215SG** (hot wash reel, hose and gun)

**T-TWHWR1215** (hot wash reel and hose)

**T-TWSGV65SVL** (trigger gun)

- Reel hose is 12mm internal diameter x 15m length
- Reel has ½" FI BSP Inlet
- Reel has ½" MI BSP Outlet
- Trigger valve has ½" FI BSP Inlet
- Maximum Working pressure 550kPa
- Maximum operating temperature 85 degrees

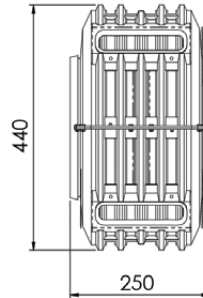


**T-TWHWR1215**  
(Hot Wash Reel and Hose)

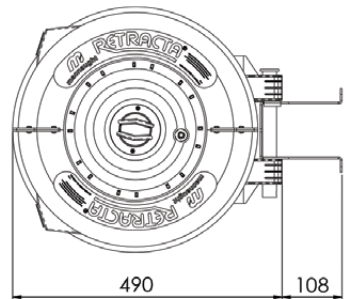


**T-TWSGV65SVL**  
(Trigger Gun)

Front



Side





# Accessories & Spare Parts



Comprehensive range of spare parts available



[3monkeez.com.au](http://3monkeez.com.au)

# Accessories & Spare Parts



**CLEANAJET**<sup>®</sup>  
STAINLESS STEEL

## Pre-Rinse Sub Assembly

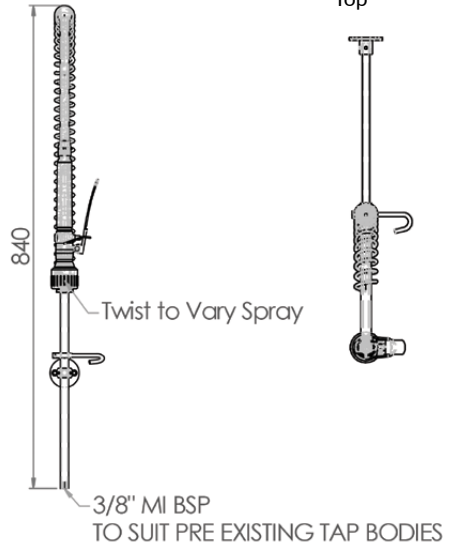


### T-3M2928

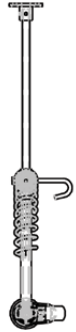
- Full S/S construction
- 3/8" MI BSP riser thread
- Equipped with a water saving 6 star 4LPM variable trigger valve
- Fully assembled and bench tested, with a unique traceable serial number
- Working pressure range 150kPa-500kPa
- Maximum operating temperature 80 degrees



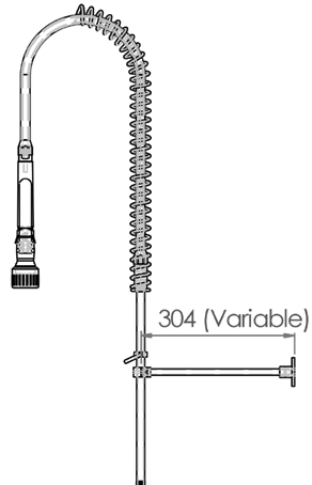
Front



Top



Side



# Accessories & Spare Parts



**CLEANJET**<sup>®</sup>  
STAINLESS STEEL

## Compact Pre-Rinse Sub Assembly



### T-3M2928-C

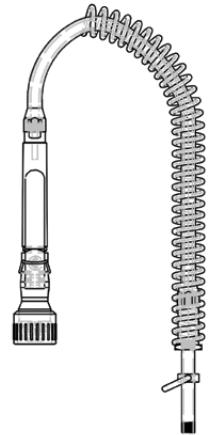
- Full S/S construction
- 3/8" MI BSP riser thread
- Equipped with a water saving 6 star 4LPM variable trigger valve
- Fully assembled and bench tested, with a unique traceable serial number
- Working pressure range 150kPa-500kPa
- Maximum operating temperature 80 degrees



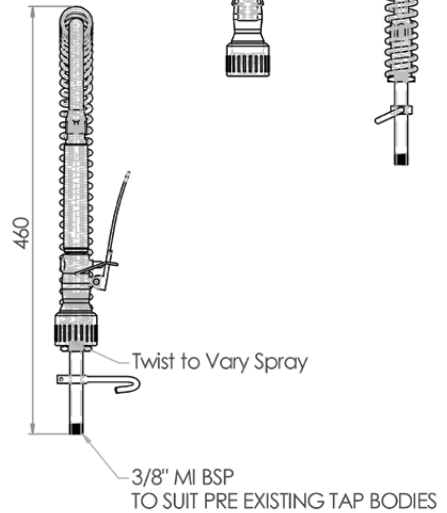
Top



Side



Front



# Accessories & Spare Parts



**CLEANJET**  
STAINLESS STEEL

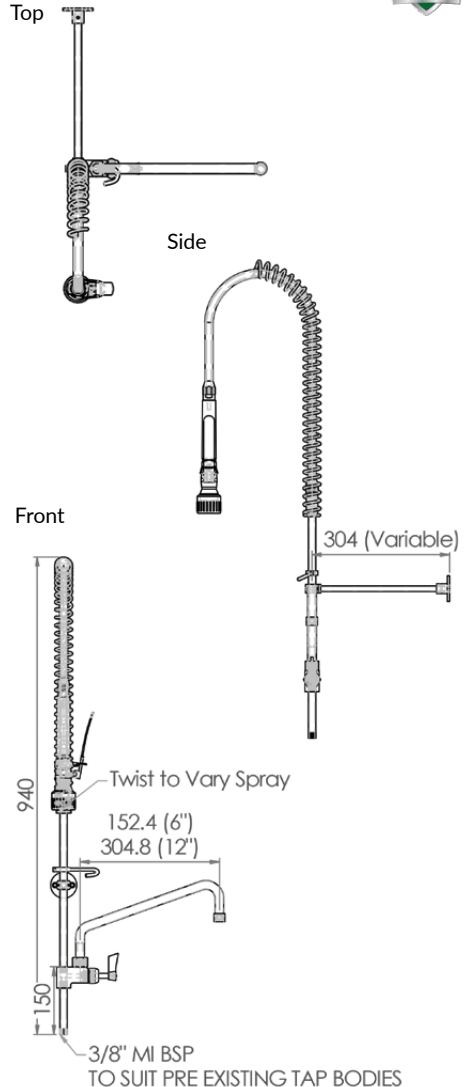
## Pre-Rinse Sub Assembly with Pot Filler



T-3M2928-06 – 6" pot filler

T-3M2928-12 – 12" pot filler

- Full S/S construction
- 3/8" MI BSP riser thread
- Equipped with a water saving 6 star 4LPM variable trigger valve
- Available with 6" or 12" pot filler – 3 star 8LPM
- Fully assembled and bench tested, with a unique traceable serial number
- Working pressure range 150kPa-500kPa
- Maximum operating temperature 80 degrees



# Accessories & Spare Parts



**CLEANJET**  
STAINLESS STEEL

## Compact Pre-Rinse Sub Assembly with Pot Filler

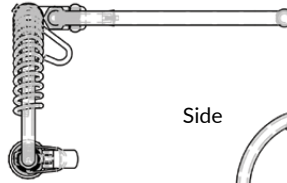


**T-3M2928-06-C** – 6" pot filler

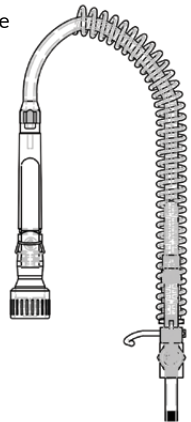
**T-3M2928-12-C** – 12" pot filler

- Full S/S construction
- 3/8" MI BSP riser thread
- Equipped with a water saving 6 star 4LPM variable trigger valve
- Available with 6" or 12" pot filler – 3 star 8LPM
- Fully assembled and bench tested, with a unique traceable serial number
- Working pressure range 150kPa-500kPa
- Maximum operating temperature 80 degrees

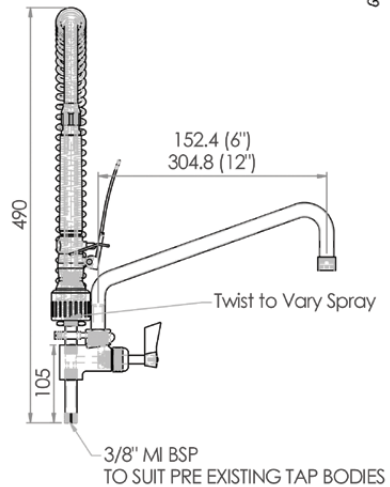
Top



Side



Front



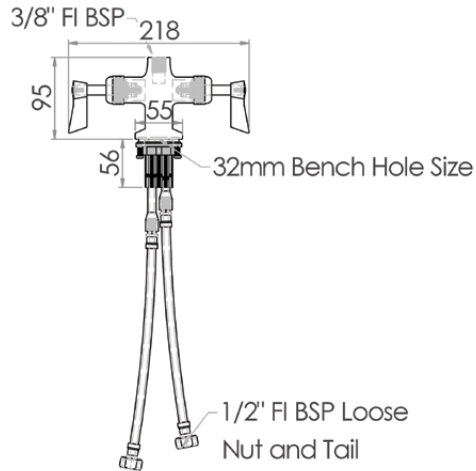
## Dual Hob Mount Tap Body



### T-3M63134

- Full S/S construction
- Dual hob tap body includes inlet hoses
- ½ turn rising spindles
- Inlet hoses have ½" FI BSP loose nut and tail
- ¾" FI BSP riser connection
- Working pressure range 150 - 500kPa
- Maximum hot water temperature - 80°C

Front



Top



Side



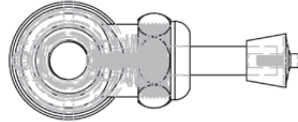
## Single Hob Mount Body



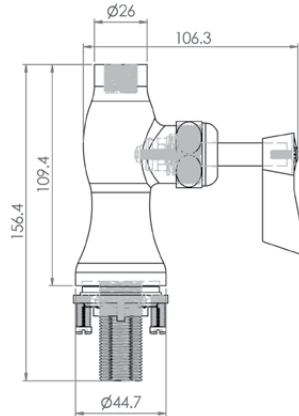
### T-3M63300

- Single hob mount with 1/2" MI BSP inlet
- 3/8" FI BSP Riser Connection
- 1/2 turn rising spindle

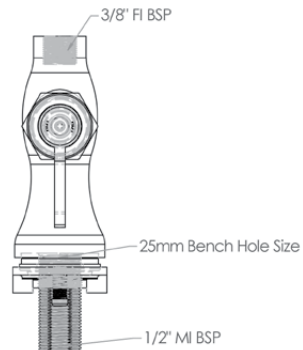
Top



Front



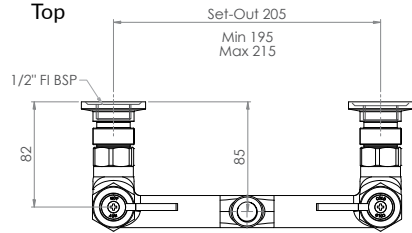
Side



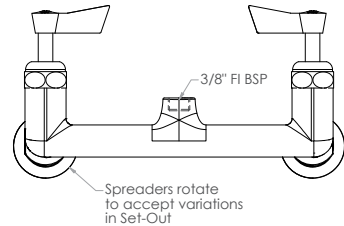
## Exposed Wall Mount Tap Body

### T-3M61689

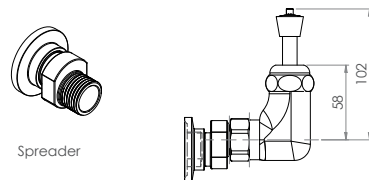
- Full S/S construction
- Exposed wall mount tap body including spreaders and ½ turn rising spindles
- ½" FI BSP inlets
- ¾" FI BSP riser connection
- Working pressure range 150kPa-500kPa
- Maximum operating temperature 80 degrees



### Front



### Side





## Single Wall Mount Body

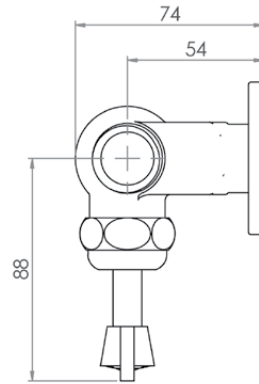


### T-3M63700

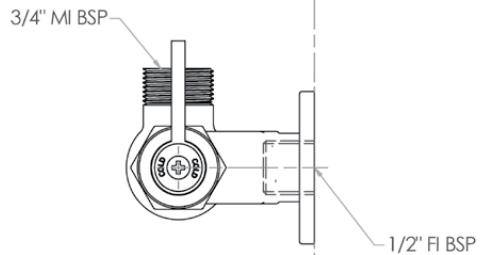
- Single wall mount with ½" FI BSP inlet
- ¾" MI BSP outlet
- ½ turn rising spindle



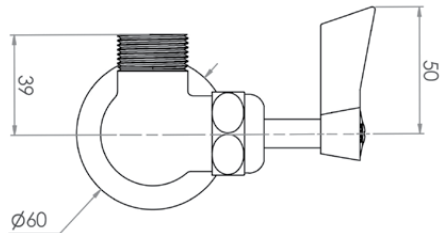
Top



Side



Front



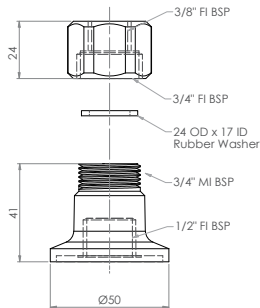
## Wall Elbow & Hob Outlet



**T-3MWELB-C** - Wall Elbow

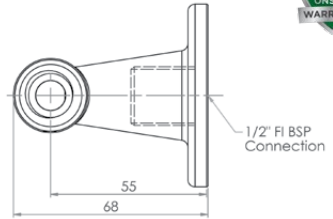
**T-3M2927-AR** - Hob Outlet

- Full S/S construction
- 1/2" FI BSP inlet
- 3/8" FI BSP riser connection

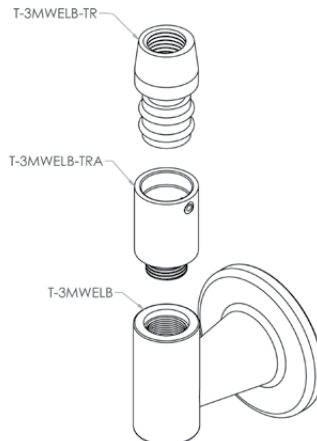
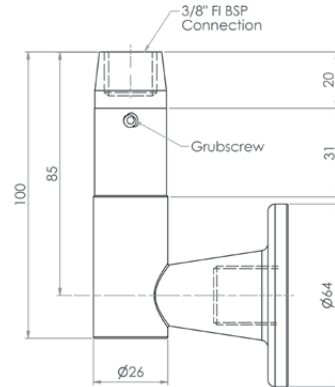


T-3M2927-AR

Top



Side



## Lever Handle Top Assembly

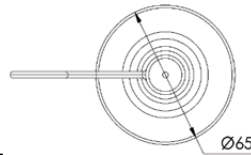
### T-3M60200

#### Wall Top Assembly

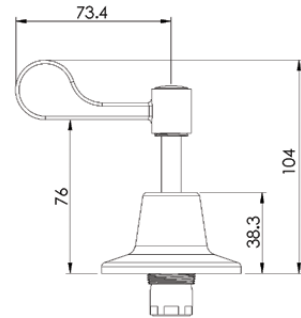
- ¼ turn ceramic disc lever handles
- Stainless steel outer, brass internals



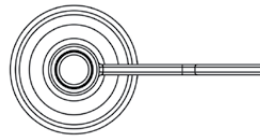
Front



Top



Top



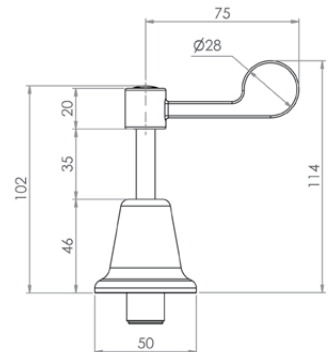
### T-3M60210

#### Basin Top Assembly

- ¼ turn ceramic disc lever handles
- Stainless steel outer, brass internals



Front

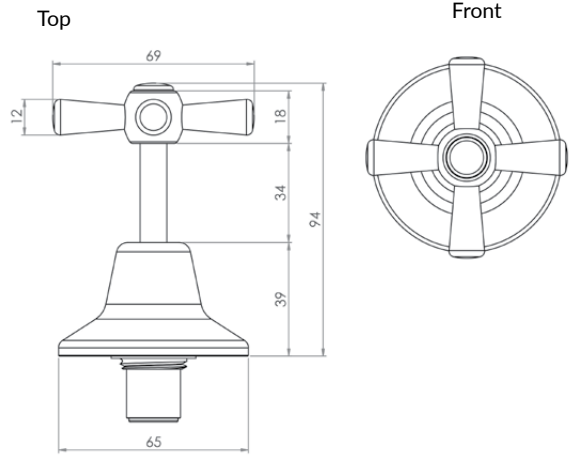


## Cross Handle Top Assembly

### T-3M60300

#### Wall Top Assembly

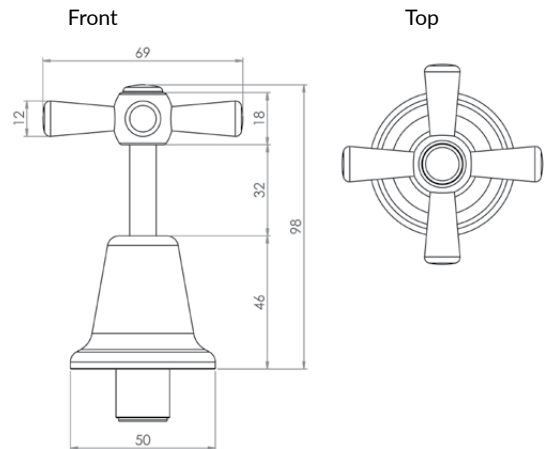
- ¼ turn ceramic disc cross handles
- Stainless steel outer, brass internals



### T-3M60310

#### Basin Top Assembly

- ¼ turn ceramic disc cross handles
- Stainless steel outer, brass internals



# Accessories & Spare Parts

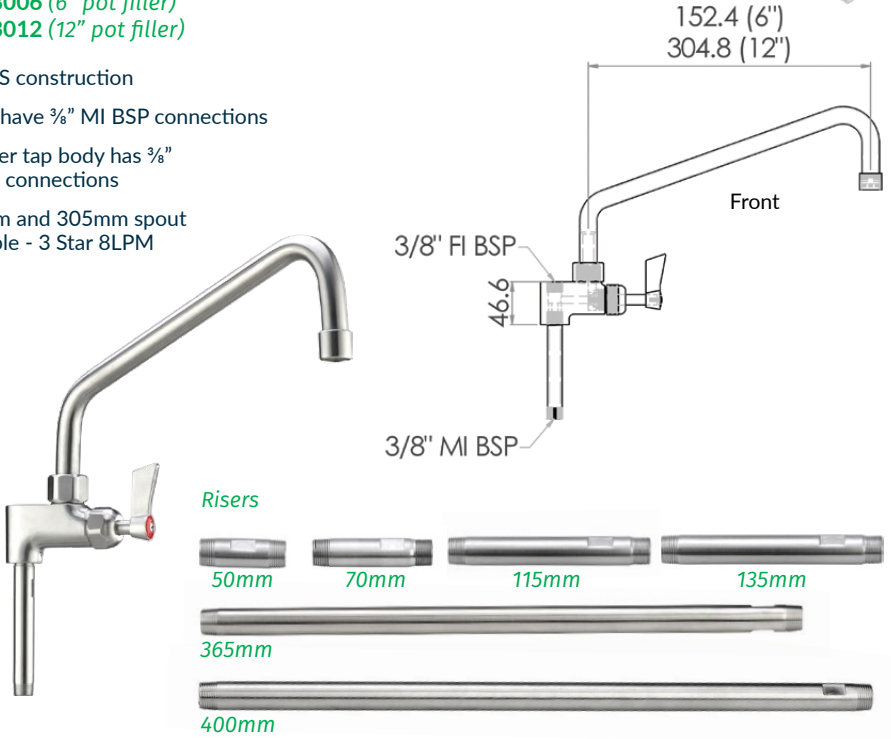


## Pot Fillers & Risers



T-3M203006 (6" pot filler)  
T-3M203012 (12" pot filler)

- Full S/S construction
- Risers have 3/8" MI BSP connections
- Pot filler tap body has 3/8" FI BSP connections
- 152mm and 305mm spout available - 3 Star 8LPM



RISERS TO SUIT TAP BODY TO UNDERSIDE OF POT FILLER BODY	RISERS TO SUIT TOP SIDE OF POT FILLER BODY OR MAIN TAP BODY TO SPRING TO RISER ADAPTOR
T-3M2927-50	T-3M2927-50T
T-3M2927-70	T-3M2927-70T
T-3M2927-115	T-3M2927-115T
T-3M2927-135	T-3M2927-135T
	T-3M2927-365
	T-3M2927-400

# Accessories & Spare Parts



**CLEANAJET**<sup>®</sup>  
STAINLESS STEEL

## Pre-Rinse Accessories



### T-3M533814-B - SPRING TO RISER ADAPTOR

- Stainless steel construction
- Suits 3/8" MI BSP riser
- Suits 1/2" FI BSP pre-rinse hose

### T-3M533814-B



### T-3M8206 AND T-3M8206-C - HOSE HOOK

- Stainless steel construction
- Retains pre-rinse hose and trigger valve

### T-3M8206



### T-3M8206-C



### T-3M2902-300 - WALL BRACKET 300MM LONG

- Stainless steel construction
- Adjustable - 50mm - 300mm

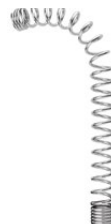
### T-3M2902-300



### T-3M8101 - SPRING GUARD

- Stainless steel construction
- Heavy duty
- Suits full pre-rinse

### T-3M8101



### T-3M8101-C - SPRING GUARD FOR COMPACT

- Stainless steel construction
- Heavy duty
- Suits compact pre-rinse

### T-3M8101-C



## Pre-Rinse Hoses



**T-3M2914-C / T-3M2914-S /  
T-3M2910 / T-3M2911 / T-3M2912**

- ½" FI BSP ends

**T-3M2914-S-A**

- Includes adaptors - ¼" MI BSP x ¾" MI UNS

**T-3M561234**

- Suits Fisher handle and ½" FI BSP Hose

**T-3M561214**

- Suits Fisher riser adaptor and ½" FI BSP Hose

**T-3M56EN12**

- Suits Encore and T&S riser adaptor and ½" FI BSP Hose

**T-3M2914-C - 600MM  
T-3M2914-S - 925MM  
T-3M2910 - 1000MM  
T-3M2912 - 1200MM  
T-3M2911 - 1520MM**



Also suits Enware, Galvin and Rinse-Maid

**T-3M2914-S-A - 925MM**



Suits Fisher

**T-3M561234**



Adaptor  
½" MI BSP x ¾" MI UNS

**T-3M561214**



Adaptor  
½" MI BSP x ¼" MI BSP

**T-3M56EN12**



Adaptor  
½" MI BSP x ¾" FI UNS

# Commercial Tapware



**CLEANAJET®**  
STAINLESS STEEL

## Tap Body Accessories



### T-3M4016 - INLET HOSES (PAIR)

- ½" FI BSP loose nut and tail to M-10
- Suits T-3M63134

T-3M4016



T-3M2000-0001



### T-3M2000-0001 - JUMPER VALVE AND SPRING

- Stainless steel
- Suits T-3M63134, T-3M61689, T-3M63300, T-3M63700, T-3M203006 and T-3M203012

### T-3M2000-0002 - HANDLE ONLY - HOT

- Stainless steel
- Suits T-3M63134, T-3M61689, T-3M63300, T-3M63700, T-3M203006 and T-3M203012

T-3M2000-0002



T-3M2000-0003



### T-3M2000-0003 - HANDLE ONLY - COLD

- Stainless steel
- Suits T-3M63134, T-3M61689, T-3M63300, T-3M63700, T-3M203006 and T-3M203012

T-3M2000-0004



T-3M2000-0005



### T-3M2000-0004 - TAP BODY REPAIR KIT - HOT

- Stainless steel
- Suits T-3M63134 and T-3M61689

### T-3M2000-0005 - TAP BODY REPAIR KIT - COLD

- Stainless steel
- Suits T-3M63134 and T-3M61689, T-3M63300 and T-3M63700

### T-3M2000-0006 - POT FILLER REPAIR KIT

- Stainless steel
- Suits T-3M203006 and T-3M203012

T-3M2000-0006



T-3M5016



### T-3M5016 - INLET HOSE

- ½" FI BSP loose nut and tail ends
- Suits T-3M63300



# Accessories & Spare Parts



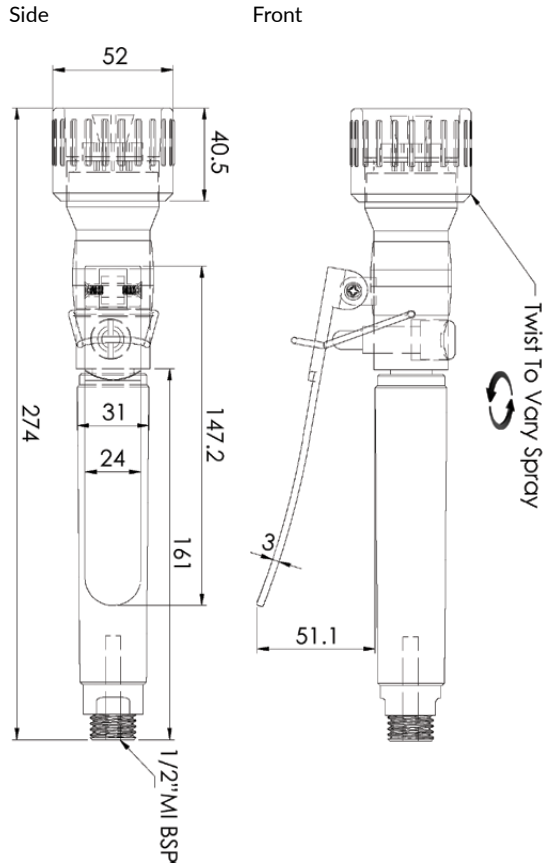
**CLEANJET®**  
STAINLESS STEEL

## Trigger Valve & Handle



### T-3M2950-2913AB

- Full S/S construction
- Self closing high water efficient 6 star 4LPM VARIABLE trigger valve
- Stay open clip for prolonged use



T-3MTVRK

# Accessories & Spare Parts



# GUARDIAN<sup>®</sup> TAPWARE

## Standard Spouts

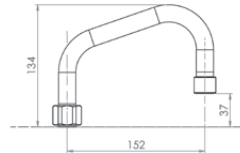


- Full S/S construction
- 6", 8" or 12" spout available - 3 Star 8LPM

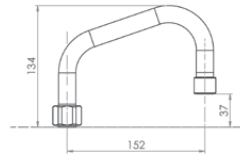
T-3M3006-SO - 6" Spout Only

T-3M3008-SO - 8" Spout Only

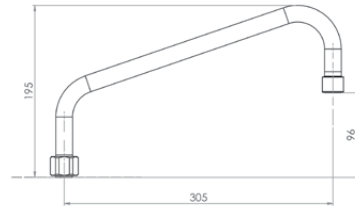
T-3M3012-SO - 12" Spout Only



T-3M006-SO



T-3M008-SO



T-3M012-SO



6" Spout (152mm)



8" Spout (203mm)



12" Spout (305mm)

## T-3M1514

- 1x Food Grade Grease, 2x Pot Filler O Rings and 1x Pot Filler Circlip
- Suitable for: T-3M3006-SO, T-3M3008-SO, T-3M3012-SO, T-3M3007G-SO and T-3M3012G-SO



# Accessories & Spare Parts



# GUARDIAN<sup>®</sup> TAPWARE

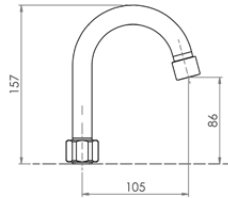
## Gooseneck Spouts



- Full S/S construction
- 7" or 12" gooseneck spout available - 4 Star 7.5LPM

**T-3M3007G-SO** - 7" Gooseneck Spout Only

**T-3M3012G-SO** - 12" Gooseneck Spout Only

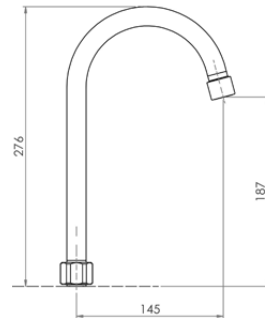


T-3M007G-SO



7" (178MM)  
Gooseneck Spout

12" (305MM)  
Gooseneck Spout



T-3M012G-SO

## T-3M1514

- 1x Food Grade Grease, 2x Pot Filler O Rings and 1x Pot Filler Circlip
- Suitable for: T-3M3006-SO, T-3M3008-SO - 8", T-3M3012-SO, T-3M3007G-SO and T-3M3012G-SO



# Accessories & Spare Parts



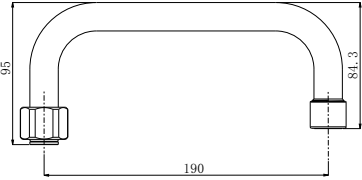
# GUARDIAN<sup>®</sup> TAPWARE

## Cleaner Sink Spouts and Accessories



### T-3MSS-CSSEW

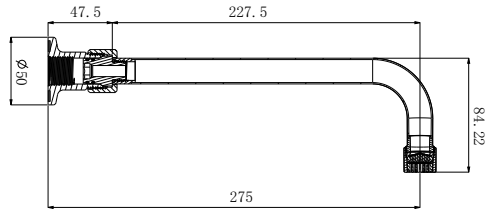
- Fixed Standard Spout Only
- Suits: T-3MCSKIT-E08



T-3MSS-CSSEW

### T-3MSS-CSSCW

- Fixed Straight Spout With Wall Mount
- Suits: T-3MCSKIT-C08



T-3MSS-CSSCW

### T-3MSS-CSTSB

- GUARDIAN- Cleaners Sink Tap Set Spout Bracket with Wall Mount Plate and Bucket Hook. 304 Grade S/S
- Suits: T-3MCSKIT-E08 and T-3MCSKIT-C08



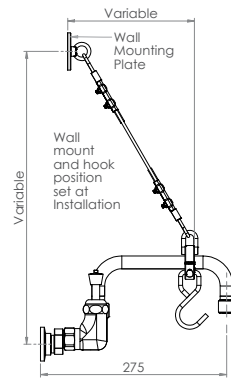
T-3MSS-CSSEW



T-3MSS-CSSCW



T-3MSS-CSTSB



T-3MSS-CSTSB



## Mixer Parts



### T-3MSSP-BH

- Standard Handle Only For Mixers
- Suits: T-3MS4MIX, T-3MS6MIX, T-3MB4MIX and T-3MB6MIX



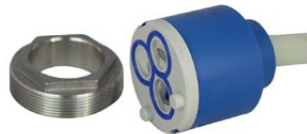
### T-3MSSP-LH

- Lever Handle Only For Mixers
- Suits: T-3MLB4MIX and T-3MLB6MIX, T-3MLS4MIX and T-3MLS6MIX



### T-3MSSP-MIXCART

- Cartridge and Nut For Mixers
- Suits: T-3MS4MIX, T-3MS6MIX, T-3MLB4MIX, T-3MLB6MIX, T-3MLS4MIX, T-3MLS6MIX, T-3MB4MIX and T-3MB6MIX



## Top Assembly Parts



### T-3M60200-CD-C

- COLD Cartridge
- Brass ¼ Turn Ceramic Disc
- Suits: T-3M60200, T-3M60210, T-3M60300 and T-3M60310



### T-3M60200-CD-H

- HOT Cartridge
- Ceramic Disc Cartridge
- Brass ¼ Turn Ceramic Disc
- Suits: T-3M60200, T-3M60210, T-3M60300 and T-3M60310



### T-3MSSP-TAF50

- Pair 50mm Diameter Flange
- Suits: T-3M60210 and T-3M60310 Basin Top Assemblies



### T-3MSSP-TAF65

- Pair 65mm Diameter Flange
- Suits: T-3M60200 and T-3M60300 Wall Top Assemblies



## Pillar and Bib Tap Spare Parts



### T-3MSSP-BOPMLH

- Stainless steel lever handle only suit bib or pillar tap
- Includes mechanical operation cartridge
- 304 Grade S/S

### T-3MSSP-BOP6LH

- Stainless steel lever handle only suit bib or pillar tap
- Includes 6 second timed flow cartridge
- 304 Grade S/S

### T-3MSSP-BOP18LH

- Stainless steel lever handle only suit bib or pillar tap
- Includes 18 second timed flow cartridge
- 304 Grade S/S

### T-3MSSP-BOPALH

- Stainless steel lever handle only suit bib or pillar tap
- Includes adjustable timed flow cartridge
- 304 Grade S/S



### T-3MSSP-BOPMPB

- GUARDIAN-Stainless Steel Push Button ONLY suit Bib or Pillar Tap
- Includes Mechanical Operation Cartridge
- 304 Grade S/S

### T-3MSSP-BOP6PB

- Stainless Steel Push Button ONLY suit Bib or Pillar Tap
- Includes 6 Second Timed Flow Cartridge
- 304 Grade S/S

### T-3MSSP-BOP18PB

- Stainless Steel Push Button ONLY suit Bib or Pillar Tap
- Includes 18 Second timed flow cartridge
- 304 Grade S/S

### T-3MSSP-BOPAPB

- GUARDIAN-Stainless Steel Push Button ONLY suit Bib or Pillar Tap
- Includes Adjustable timed flow cartridge
- 304 Grade S/S

## Compact Bubbler Spare Parts



### T-3MSSP-BOBCLH

- Compact bubbler lever handle only
- No spindle (SBA)
- 304 Grade S/S



### T-3MSSP-BUBCLH

- Compact bubbler lever handle only
- Includes spindle (SBA)
- 304 Grade S/S



### T-3MSSP-BOBCPB

- Compact bubbler push button only
- No spindle (SBA)
- 304 Grade S/S



### T-3MSSP-BUBCPB

- Push button handle only for compact bubblers
- Includes spindle (SBA)
- 304 Grade S/S





## Bubbler and Bottle Filler Spare Parts



### T-3MSSP-BOBCH

- Stainless steel bubbler cam handle only
- No spindle (SBA)
- Suit horizontal and 45 degree bubbler
- 304 Grade S/S



### T-3MSSP-BUBCH

- Cam action handle only for bubblers
- Includes spindle (SBA)
- Suits horizontal & 45 degree bubblers
- 304 Grade S/S



### T-3MSSP-BOBLH

- Stainless steel bubbler lever handle only
- No spindle (SBA)
- Suit horizontal and 45 degree bubbler
- 304 Grade S/S



### T-3MSSP-BUBLH

- Lever handle only for bubblers
- Includes spindle (SBA)
- Suits horizontal & 45 degree bubblers
- 304 Grade S/S



### T-3MSSP-BOBPB

- Stainless steel bubbler push button only
- No spindle (SBA)
- Suit horizontal and 45 degree bubbler
- 304 Grade S/S



### T-3MSSP-BUBPB

- Push button handle only for bubblers
- Includes spindle (SBA)
- Suits horizontal & 45 degree bubblers
- 304 Grade S/S





## Bubbler and Bottle Filler Spare Parts



### T-3MSSP-BUBSBA

- Bubbler/bottle filler (SBA)
- 304 Grade S/S



### T-3MSSP-BFSG

- Bottle filler silicone guard only



### T-3MSSP-BOBMM

- Bubbler metal mouthguard only
- Suit 45 degree bubbler
- 304 Grade S/S



### T-3MSSP-BOBSM

- Bubbler silicone mouthguard only
- Suit horizontal bubbler
- Suits BUBS items
- 304 Grade S/S



### T-3MSSP-BUB45MC

- Silicone mouthguard conversion kit to suit BUB 45 models.
- 304 Grade S/S and silicone





## Timed 6 Second Sensor Conversion Kit with Hob Mount Sensor



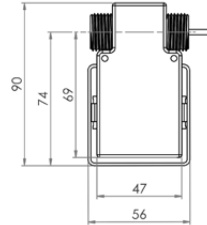
**T-3MSSP-SCK-B** (battery operated)

**T-3MSSP-SCK-M** (mains operated)

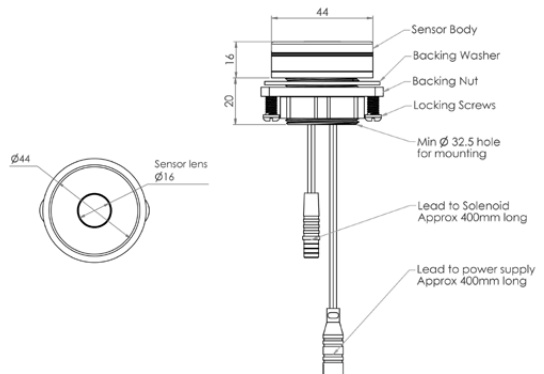
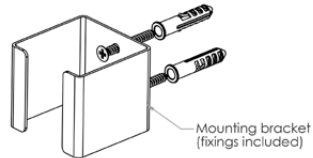
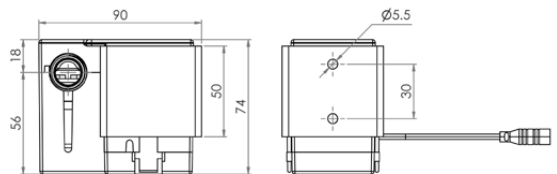
- Timed 6 Second Sensor Conversion Kit for 3monkeez Bib Taps, Pillar Taps, Standard Bubblers and Bottle Filler.
- Kit Includes Hob Mount Sensor, Solenoid with Case, Tap Control Cap, Battery Pack or Transformer



Top



Side



# Accessories & Spare Parts



# GUARDIAN<sup>®</sup> TAPWARE

## Timed 6 Second Sensor Conversion Kit with Wall Mount Sensor



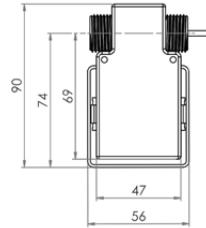
**T-3MSSP-SWCK-B** (battery operated)

**T-3MSSP-SWCK-M** (mains operated)

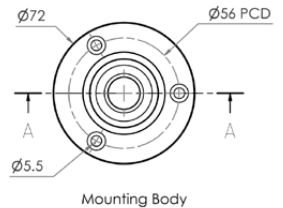
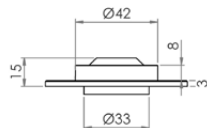
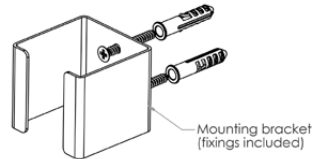
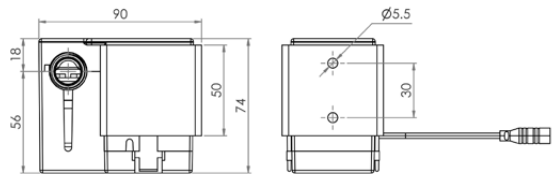
- Timed 6 Second Sensor Conversion Kit for 3monkeez Bib Taps, Pillar Taps, Standard Bubblers and Bottle Filler.
- Kit Includes Wall Mount Sensor, Solenoid with Case, Tap Control Cap, Battery Pack or Transformer



Top



Side





## Sensor Tapware Spare Parts



### T-3MSSP-HMST-M

- Sensor Tap Transformer with 800mm Cable



T-3MSSP-HMST-M



T-3MSSP-HMST-3M

### T-3MSSP-HMST-3M

- Sensor Tap Transformer with 3m Cable

### T-3MSSP-HMST-BP

- Sensor Tap Battery Case and Batteries



T-3MSSP-HMST-BP



T-3MSSP-HMST-CBS

### T-3MSSP-HMST-CBS

- Sensor Tap Solenoid and Case

### T-3MSSP-SEN6

- 6 Second Timed Flow Sensor Only for Hob or Boxed Splashback Installations

### T-3MSSP-SENW6

- 6 Second Timed Flow Sensor Only for Wall Installations



T-3MSSP-SENW6



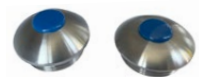
T-3MSSP-SEN6

### T-3MSSP-SENEXT

- Pair Extension Cables to suit Sensor Range - 2m Length



T-3MSSP-SENEXT



T-3MSSP-BOSCAP

### T-3MSSP-BOSCAP

- 2x Caps with Indicators suit Sensor Range





NSW 02 9627 6111

VIC 03 9357 6562

QLD 07 3881 0322

WA 08 6305 0681

SA 0408 299 443

ACT 0408 446 961

TAS 03 6344 7060

NT 0447 382 658

FNQ 07 4775 6956

**3monkeez**

[www.3monkeez.com.au](http://www.3monkeez.com.au)

[sales@3monkeez.com.au](mailto:sales@3monkeez.com.au)