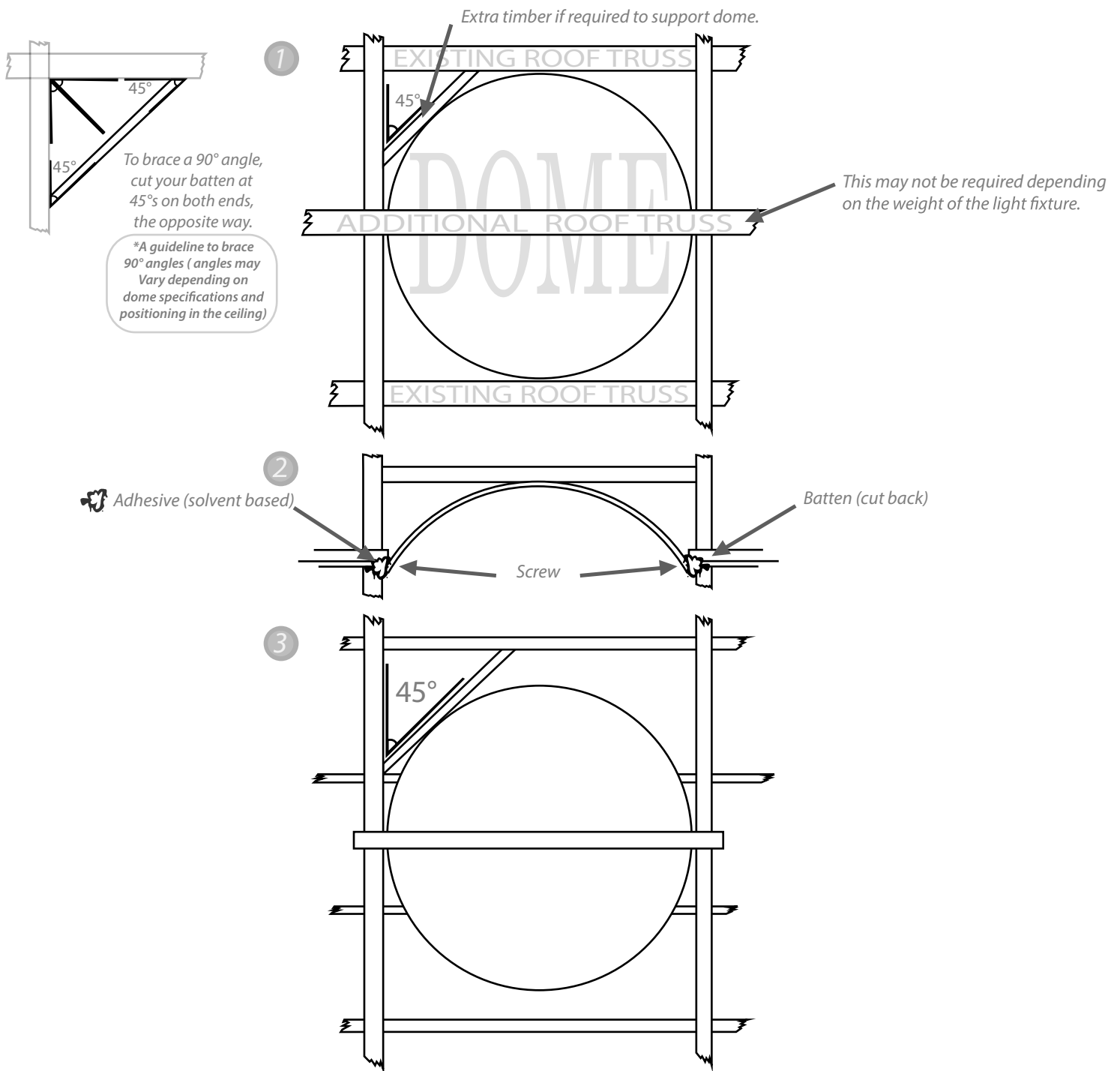


# Dome Fixing Instructions



- Cut hole to suit size of dome as per diagram 2.
- Install timber as per diagram 1 & 3.
- Run a bead of solvent base adhesive around the lip of the dome as per diagram 2.
- Install the dome into position, screw through the sides of the dome into timber supports.
- Fill screw holes with stopping plaster, finish around perimeter of dome and ceiling with stopping plaster.