



Product Specifications

www.ezconcept.com.au



As manufacturers of the world renowned EzyJamb door jamb systems, EZ Concept's openings and finishings products produce minimalistic flush finishes by eliminating architraves, skirtings and traditional timber systems for commercial, residential and industrial interiors.

EXPERIENCE EZCONCEPT

Opening Products



Page 06 | The Flush Finish Door Jamb System



Page 24 | Premium Doors



Page 26 | Door Hardware



Page 32 | Cavity Slider Trim Kit



Page 34 | The Flush Finish Cavity Slider Solution



Page 42 | Smooth Wall to Access Panel Transitions

Finishing Products



Page 46 | Economical Recessed Window Pelmet Systems



Page 48 | The Versatile Alternative for Stop Ends



Page 49 | Custom Rebates and Capping made Easy



Page 60 | Premium Architrave Free Window Reveals



Page 61 | Anodised Aluminium Skirting Board Trim

The background features a 3D rendered scene with white, angular geometric shapes. A prominent vertical white plane is on the left, and several horizontal and vertical planes create a sense of depth and perspective. The lighting is soft, casting subtle shadows. Overlaid on this scene is the text 'Opening Products' in a red outline font. The word 'Opening' is smaller and positioned above the start of 'Products'.

Opening
Products



EzyJamb

EZC | Classic Adjust Door Frame

EzyJamb® Classic Adjust - EZC is a split type door jamb system that creates inconspicuous clean lines to complete the contemporary look of architectural spaces. The two-piece jamb is adjustable to allow for various wall thicknesses, ensuring a smooth finish along the wall face.

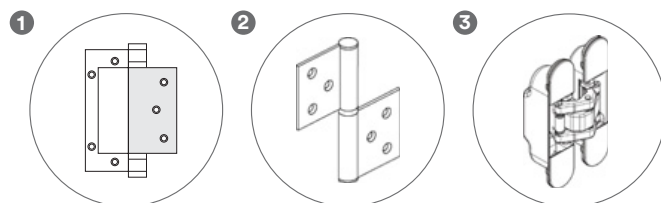


Specification Details

EZYJAMB EZC CLASSIC ADJUST DOOR FRAME - FOR 35mm, 38mm & 45mm DOORS

Door Height	2040mm Standard	(Custom Sizes available on request)
Door Widths	420 - 1020mm	(Custom Sizes available on request)
Door Thickness	32 - 45mm	
Finished Wall Thickness	82 - 220mm	(Including Plaster)
Latch Plate Height	1020mm (Center line from base of door frame)	(Custom measurement available upon request)

- Hinge Options
- 1 Herline Hinges
 - 2 Lift-Off Hinges
 - 3 Concealed Hinges



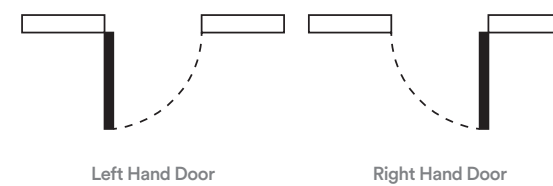
Hardware

EzyJamb EZC Door Jamb are available with the following hardware options.

The following hardware specifications are required for product warranties.

Door Type	Herline, Lutoff and Concealed Hinges	Stainless Steel Latchplate	Plastic Latch Insert	1020mm Latchplate Punching
Standard Doors 2040mm high or less	2	1	1	1
Standard Doors 2040mm-2340mm high	3	1	1	1
Double Doors 2040mm high or less	4			
Double Doors 2040mm-2340mm	6			

EzyJamb EZC Australian Door Handing



Floor to Ceiling Doors

Floor to ceiling doors require no header jamb as the door extends to the total height of the wall, when framing for this type of application allow the ceiling framing and plasterboard to carry on through to the adjacent space.

Pricing & Quotes

All prices for EzyJamb, accessories and associated processes do not include GST or freight charges unless expressly noted in writing. Always confirm pricing prior to order.

Custom Door Sizes

Custom size EzyJamb are available on request. Longer lead times and additional charges may apply. Custom latch plate punching available on request.

Jamb Height

Manufactured jambs are always cut 25mm longer than the specified door height - to allow for floor coverings.

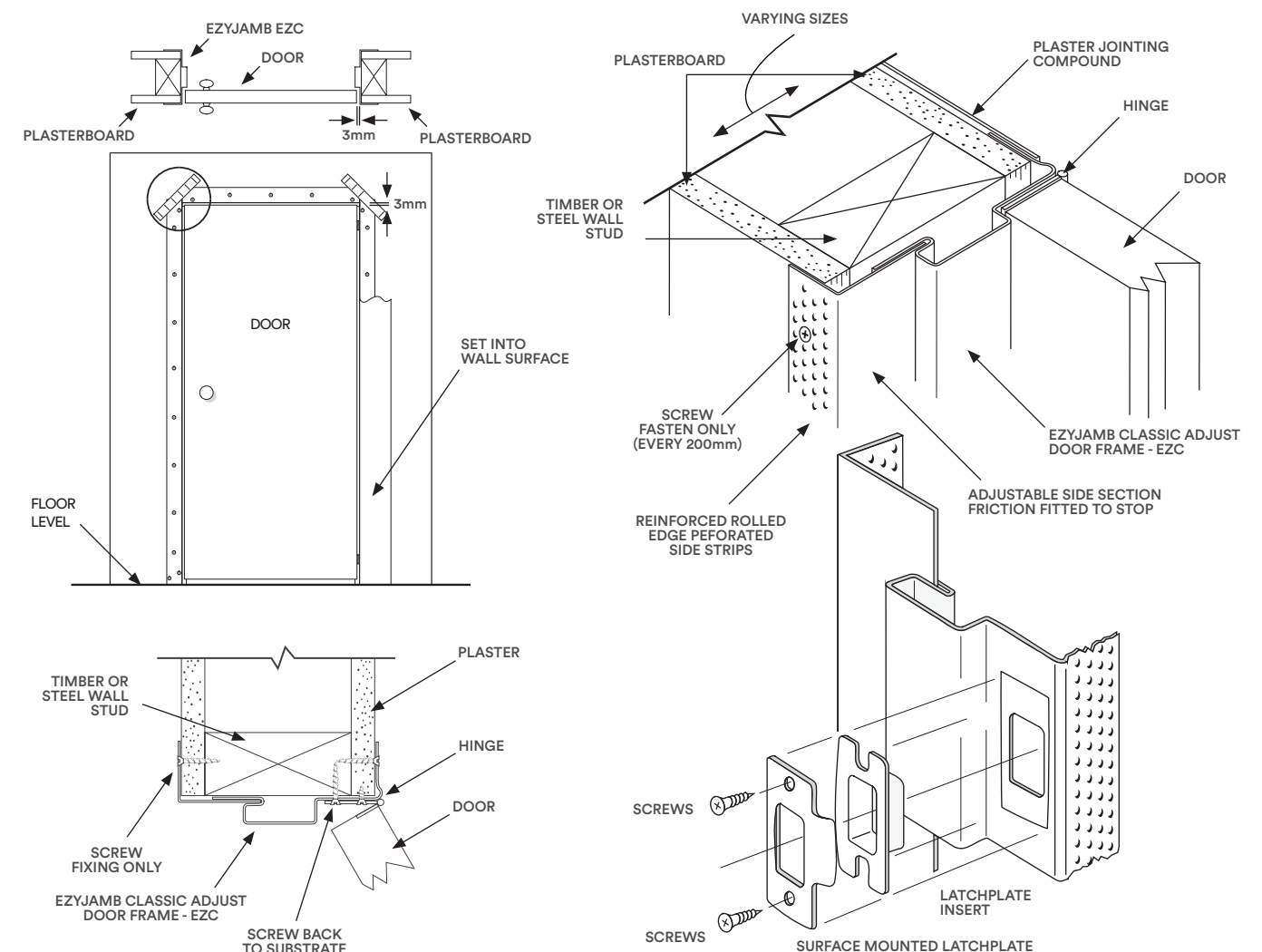
Latch Plate Punching

Latch plate punching is standard at 1020mm from base of jamb. All latch plate punching dimensions are measured from the base of jamb up.

Availability

Lead times apply to all EzyJamb orders. Typical lead time from date of order to delivery is fifteen (15) working days.

Door Opening Preparation



Step 1

Ensure that the stud opening is square and level and measures:

Stud opening sizes for Herline /Liftoff Hinges

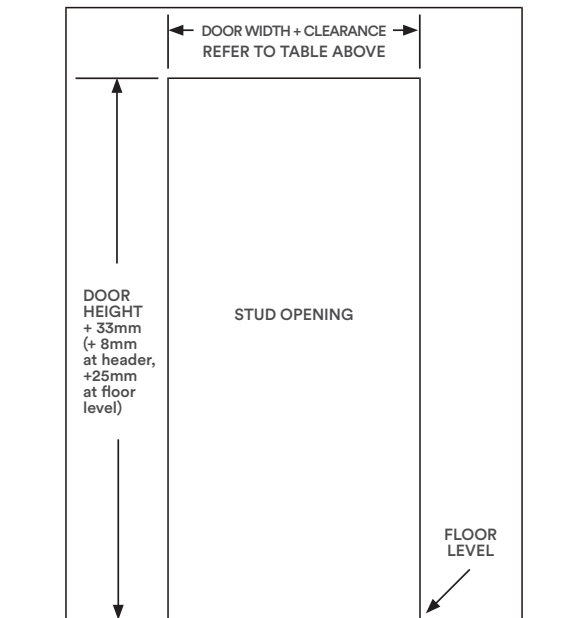
Width Single Door	Door Width +15mm Clearance
Width Double Door	Door Width +18mm Clearance
Height	Door Height +33mm (+8mm at header, +25mm at floor level)*

Stud opening sizes for RY-60 Concealed Hinges

Width Single Door	Door Width +40mm Clearance
Width Double Door	Door Width +63mm Clearance
Height	Door Height +33mm (+8mm at header, +25mm at floor level)*

*depending on floor clearance. Check with the Project Manager on site to confirm floor coverings.

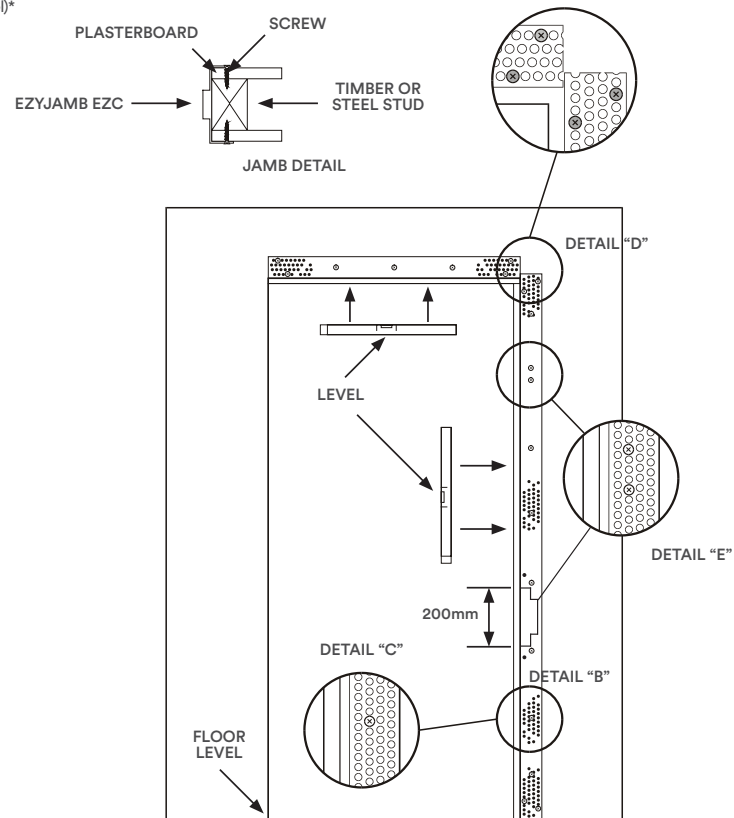
i It is strongly recommended that a timber stud or a 0.75 BMT metal stud is used on both sides of the opening.



Step 2

Fasten hinge side first, making sure jamb is level and as tight against stud opening as possible. Then screw at 200mm centres up stile, screwing back through plasterboard into stud work See *Detail 'B'* and *'C'*.

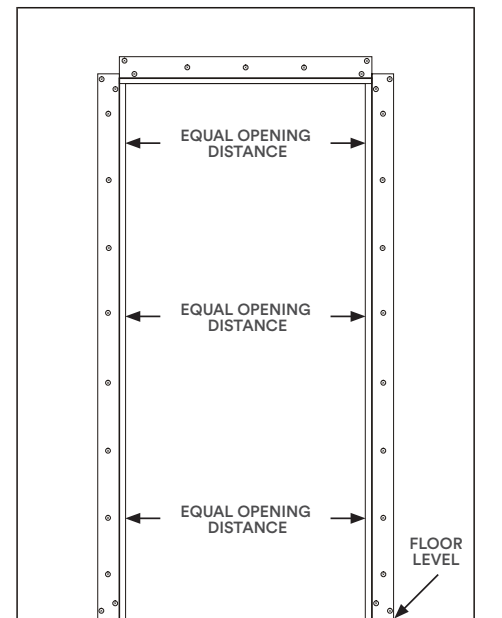
Double screw all ends as per *Detail D*, and beside hinge position - both above and below hinge as *Detail E*.



Step 3

Fit the final vertical section (strike jamb) into the head section joining clip. Ensure that the spacing between the two vertical sections are spaced evenly at the required distance.

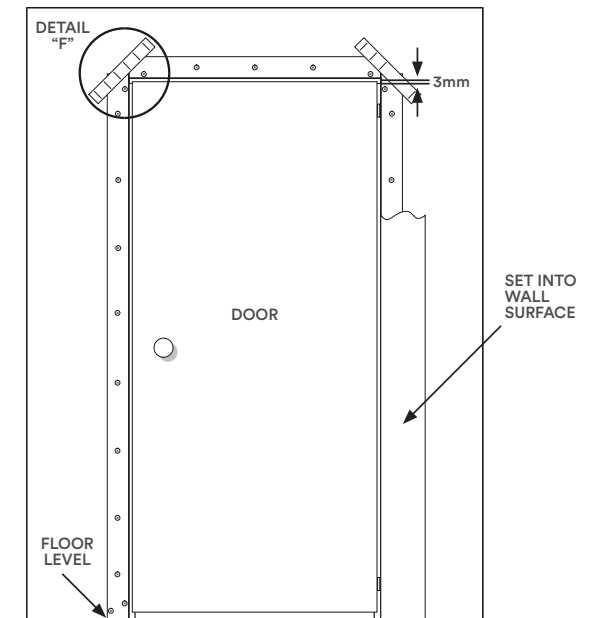
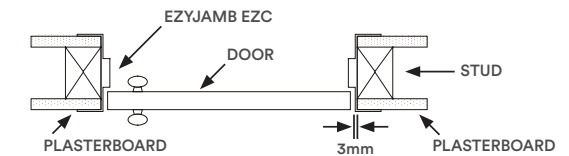
ie: 820mm door, opening is 825mm
 720mm door, opening is 725mm



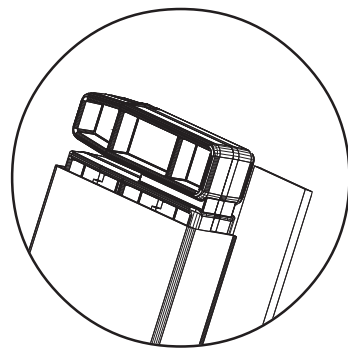
Step 4

Ensure the perforated side strips sit flat against the plasterboard to enable the jamb sections to be easily set into the wall surface. **All the corners must be taped and plastered/jointed in as Detail F.** Finish the jamb with approved plaster/jointing compound.

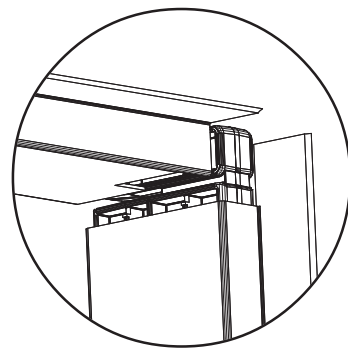
Hang the door in position leaving about 3mm clearance from the top and the hinged side using the EzyJamb Standard or concealed Hinges. Surface mount the striker plate into position to align with the latch plate punching.



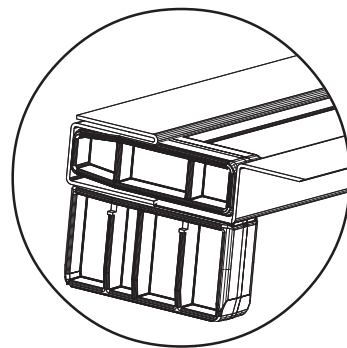
Step 2A | Head Installation



Head joiners as inserted in jamb.



Locate head into joiner and make flush with jamb so the head joiner is not seen.



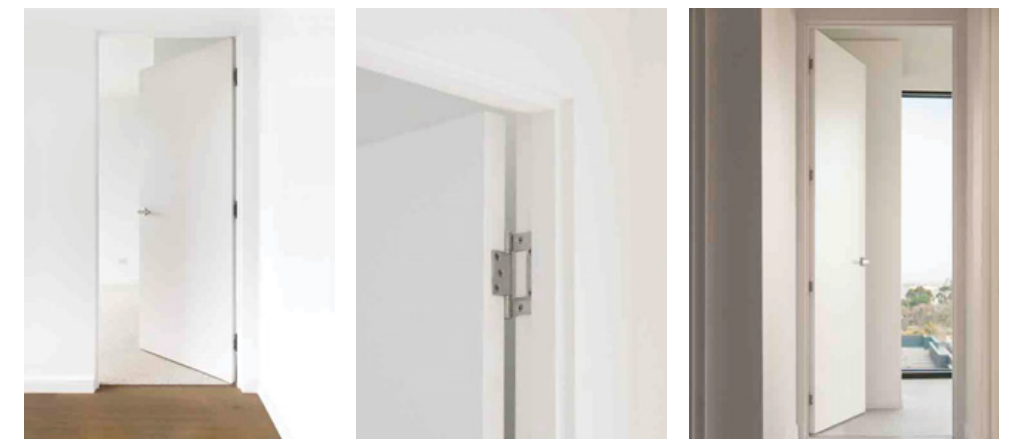
Remove the remaining head joiner out of the strike jamb into the end of the head (as shown) to receive the strike jamb.

Completed Installation

The completed jamb is flush finished and can be painted in with the whole wall area to fully conceal any fixing, achieving simple clean lines around the door face.

For further information or assistance in installation of EzyJamb products, please visit:

<https://ezconcept.com.au/resources/installation-instructions/>



Herline

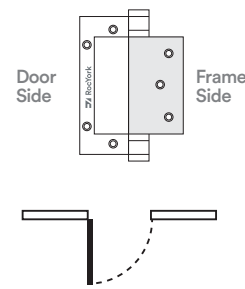
RocYork Herline Hinges

Specially designed and manufactured to partner with the EzyJamb® door jamb systems, the loose pin RocYork® Herline Hinges are surface mounted, making them easy to install.

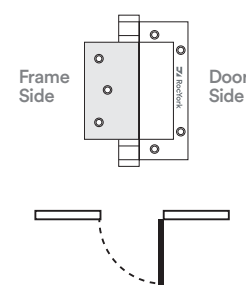
When ordering, please be aware that RocYork Herline hinges are available as left or right handed. The drawings below illustrate what the left and right hinges look like.



Australian Handing
Left



Australian Handing
Right



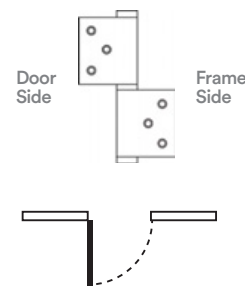
Lift-off

RocYork Lift-off Hinges

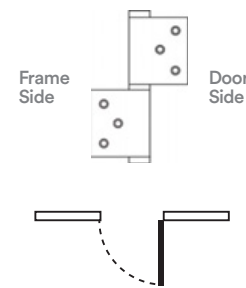
RocYork Lift-off hinges are ideal for doors that require a service gap, such as bathrooms and toilets. In compliance with NCC (BCA) 2011 F2.5 (b), EzyJamb doors with Lift-off hinges can be quickly lifted and removed without the need for unscrewing the hinge, saving time in an emergency.



Australian Handing
Left



Australian Handing
Right



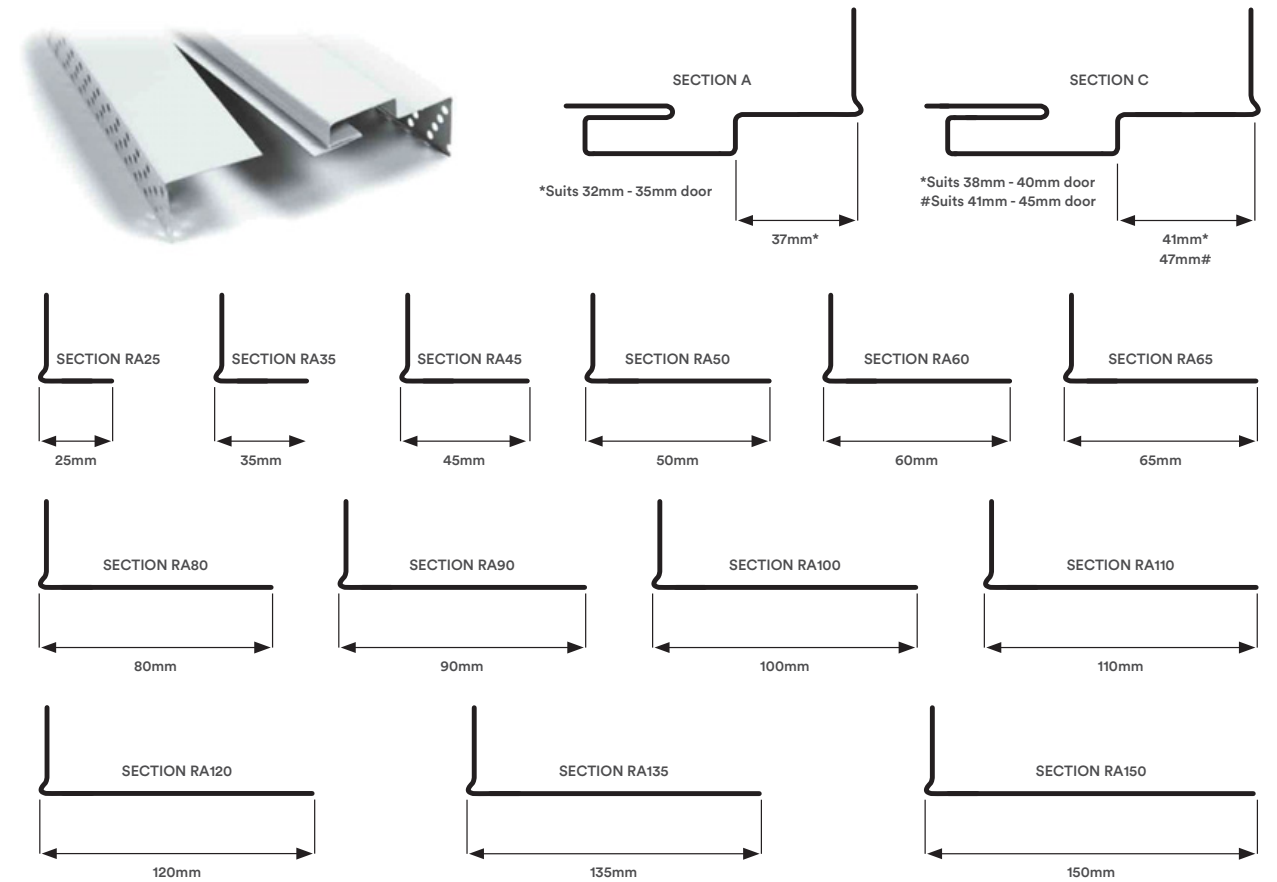
EzyJamb Liftoff Channel

The EzyJamb Lift-off Channel complements the RocYork Lift-off hinges by creating a deep rebate that conceals the service gap above the door, but still allows for compliance with BCA requirements.

The special EzyJamb Lift-off Channel fits over the header stop and is affixed with construction adhesive, for easy installation.



EzyJamb Classic Adjust EZC is available in a variety of sizes to suit your requirements. Below are the components of the EzyJamb Classic Adjust EZC system.



Finished Wall Tolerances - Section A

Combinations	Minimum	Maximum
Section A & RA25	82mm	91mm
Section A & RA35	91mm	101mm
Section A & RA45	101mm	111mm
Section A & RA50	106mm	116mm
Section A & RA60	116mm	126mm
Section A & RA65	121mm	131mm
Section A & RA75	131mm	141mm
Section A & RA80	136mm	146mm
Section A & RA90	146mm	156mm
Section A & RA100	156mm	166mm
Section A & RA110	166mm	176mm
Section A & RA120	176mm	186mm
Section A & RA135	191mm	201mm
Section A & RA150	206mm	216mm

Finished Wall Tolerances - Section C

Combinations	Minimum	Maximum
Section C & RA25	85mm	95mm
Section C & RA35	95mm	105mm
Section C & RA45	105mm	115mm
Section C & RA50	110mm	120mm
Section C & RA60	120mm	130mm
Section C & RA65	125mm	135mm
Section C & RA75	135mm	145mm
Section C & RA80	140mm	150mm
Section C & RA90	150mm	160mm
Section C & RA100	160mm	170mm
Section C & RA110	170mm	180mm
Section C & RA120	180mm	190mm
Section C & RA135	195mm	205mm
Section C & RA150	210mm	220mm

Custom Sizes available on request



EzyJamb

SRC | Single Rebate Door Frame

Give your project a clean-cut architrave free edge with the EzyJamb Single Rebate – SRC door frame. This one-piece frameless door jamb is made custom to perfectly suit your wall thickness for a flush finish. The premium design of the EzyJamb SRC provides a smooth transition from one side of the door jamb allowing a minimalistic sophistication in apartments, homes and commercial buildings.

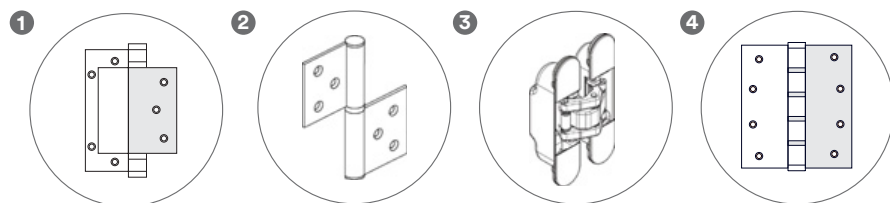


Specification Details

EZYJAMB SRC SINGLE REBATE DOOR FRAME

Door Height	2040-2340mm	(Custom Sizes available on request)
Door Widths	420 - 1020mm	(Custom Sizes available on request)
Door Thickness	32mm - 60mm	
Finished Wall Thickness	80 - 220mm	(Including Plaster)
Latch Plate Height	1020mm (Centre line from base of door frame)	(Custom measurement available upon request)

- Hinge Options
- 1 Herline Hinges
 - 2 Lift-Off Hinges
 - 3 Concealed Hinges
 - 4 Mortice Hinges



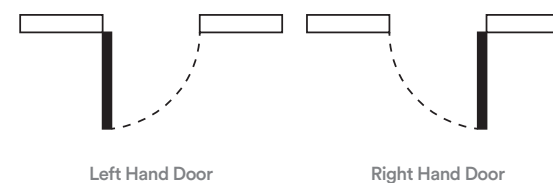
Hardware

EzyJamb SRC Door Jamb are available with the following hardware options.

The following hardware specifications are required for product warranties.

Door Type	Herline, Liftoff and Concealed Hinges	Stainless Steel Latchplate	Plastic Latch Insert	1020mm Latchplate Punching
Standard Doors 2040mm high or less	2	1	1	1
Standard Doors 2040mm-2340mm high	3	1	1	1
Double Doors 2040mm high or less	4			
Double Doors 2040mm-2340mm	6			

EzyJamb SRC Australian Door Handing



Pricing & Quotes

All prices for EzyJamb, accessories and associated processes do not include GST or freight charges unless expressly noted in writing. Always confirm pricing prior to order.

Custom Door Sizes

Custom size EzyJamb are available on request. Longer lead times and additional charges may apply. Custom latch plate punching available on request.

Jamb Height

Manufactured jambs are always cut 25mm longer than the specified door height - to allow for floor coverings.

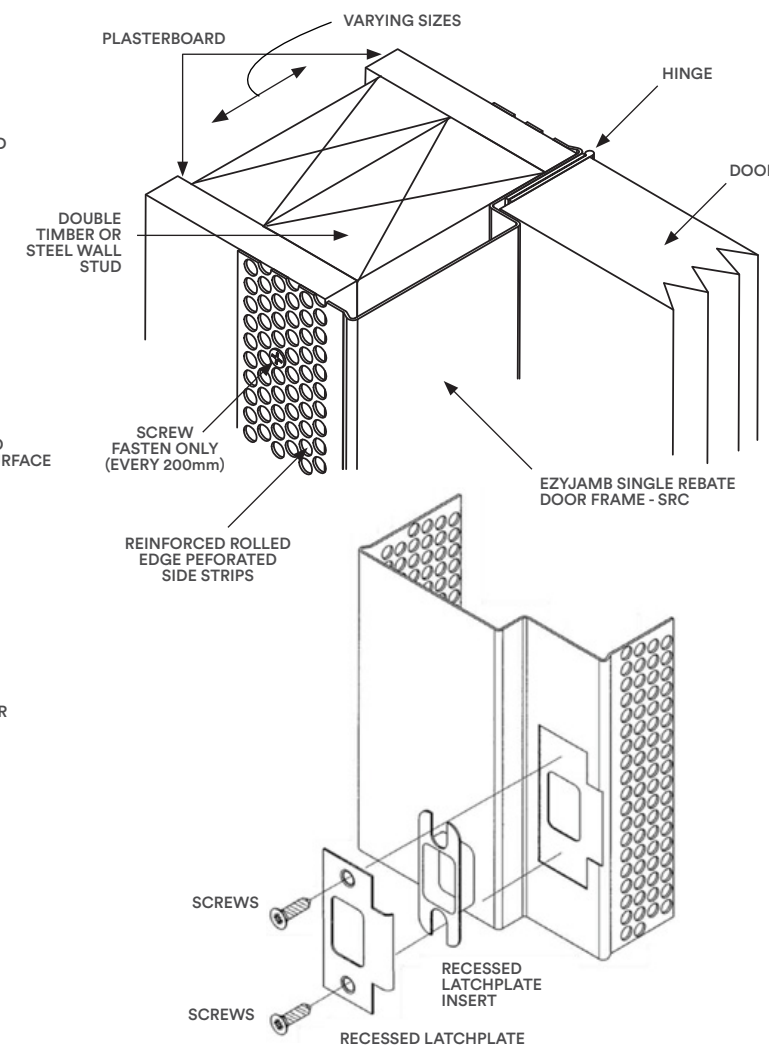
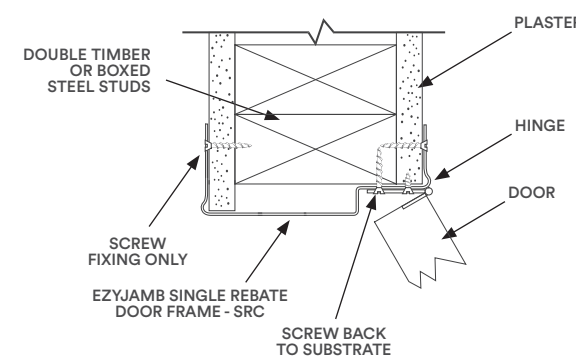
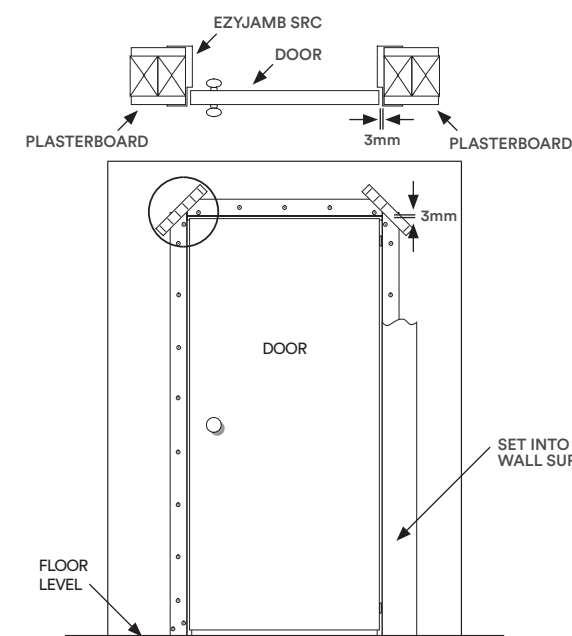
Latch Plate Punching

Latch plate punching is standard at 1020mm from base of jamb. All latch plate punching dimensions are measured from the base of jamb up.

Availability

Lead times apply to all EzyJamb orders. Typical lead time from date of order to delivery is fifteen (15) working days.

Door Opening Preparation



Step 1

Ensure that the stud opening is square and level and measures:

Stud opening sizes for Herline /Liftoff Hinges

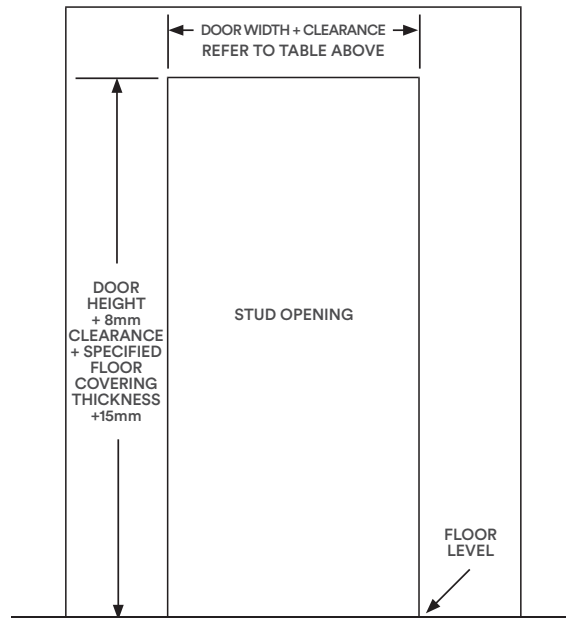
Width Single Door	Door Width +25mm Clearance
Width Double Door	Door Width +28mm Clearance
Height	Door Height + 8mm Clearance +Specified Floor Covering Thickness +15mm

Stud opening sizes for RY-60 Concealed Hinges

Width Single Door	Door Width +40mm Clearance
Width Double Door	Door Width +63mm Clearance
Height	Door Height + 8mm Clearance +Specified Floor Covering Thickness +15mm

**depending on floor clearance. Check with the Project Manager on site to confirm floor coverings.*

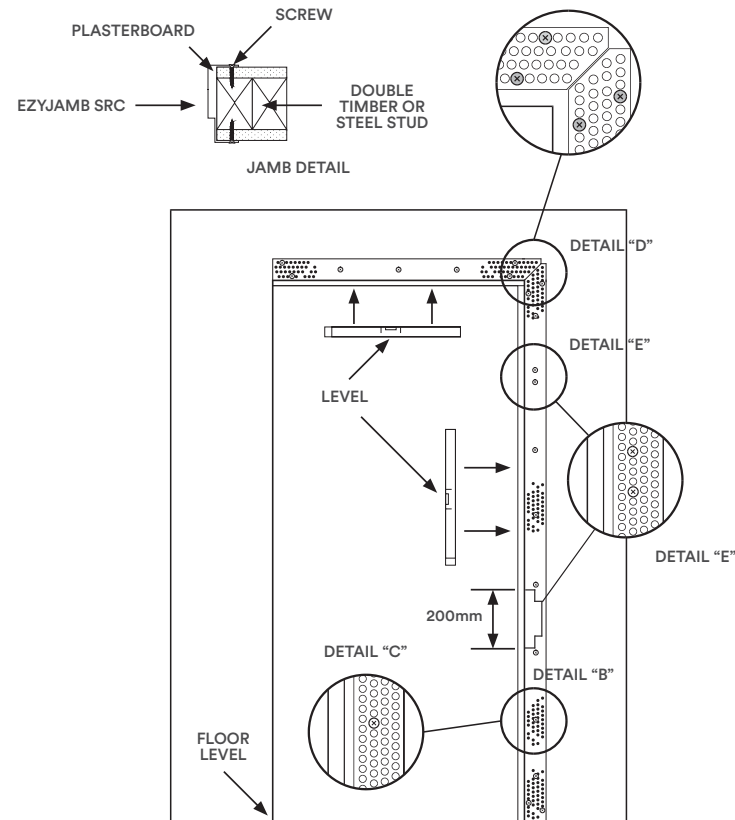
i Make sure the frame opening has double studs, it is strongly recommended to use timber studs or a minimum 0.75 BMT metal stud on both sides of the opening.



Step 2

Fasten hinge side first, making sure jamb is level and as tight against stud opening as possible. Then screw at 200mm centers up stile, screwing back through plasterboard into stud work See *Detail 'B'* and *'C'*.

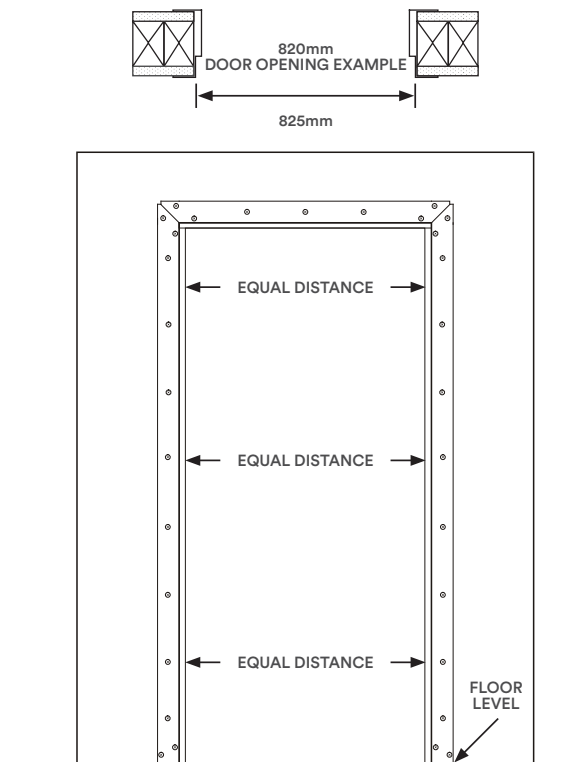
Double screw all ends as *Detail D*. and beside hinge position - both above and below hinge as *Detail E*.



Step 3

Fasten the final vertical section (strike jamb) below the head section. Ensure that the spacing between the two vertical sections are spaced evenly at the required distance.

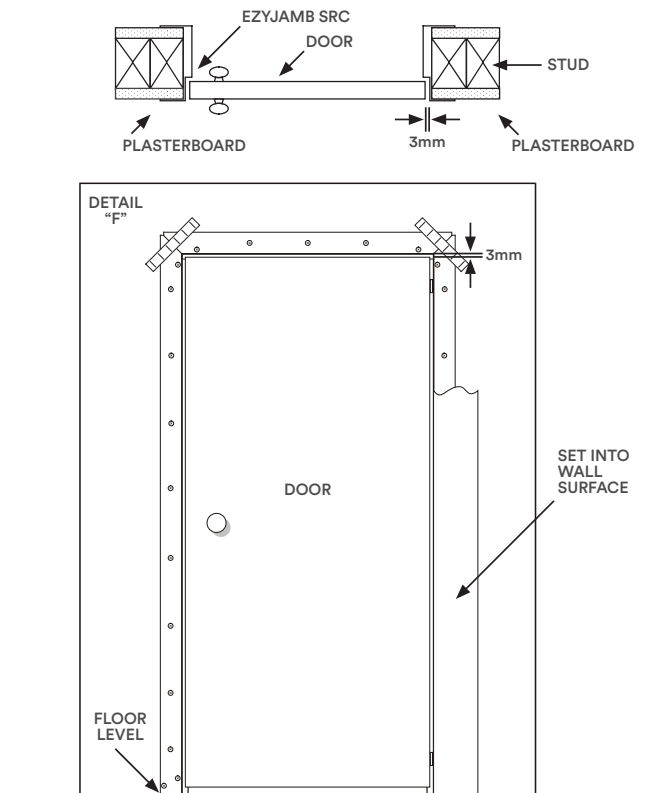
ie: 820mm door, opening is 825mm
 720mm door, opening is 725mm



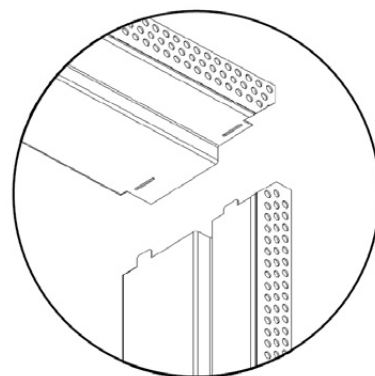
Step 4

Ensure the perforated side strips sit flat against the plasterboard to enable the jamb sections to be easily set into the wall surface. **All the corners must be taped and plastered/jointed in as Detail F.** Finish the jamb with approved plaster/jointing compound.

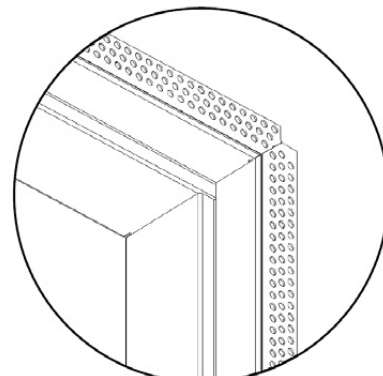
Hang the door in position leaving about 3mm clearance from the top and the hinged side using the EzyJamb Standard or Concealed Hinges. Surface mount the striker plate into position to align with the latch plate punching.



Step 2A | Head Installation



Locate fixing tabs to header.



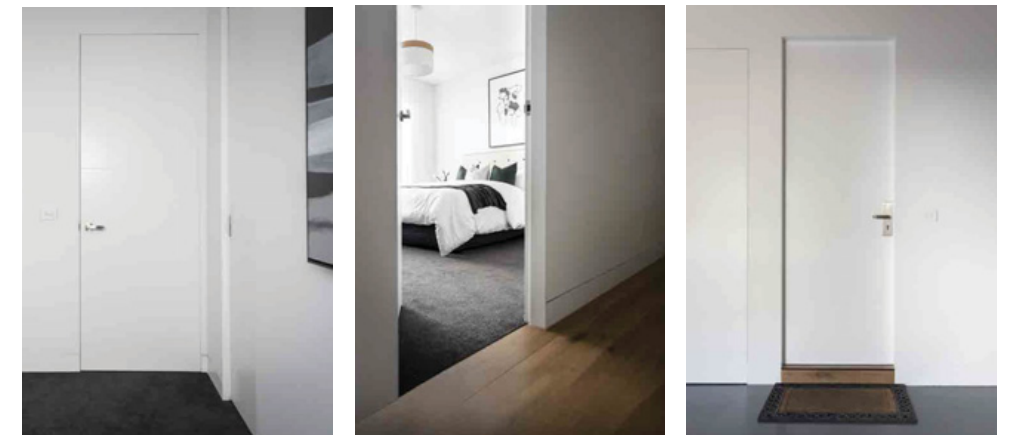
Corner Detail Completed

Completed Installation

The completed jamb is flush finished and can be painted in with the whole wall area to fully conceal any fixing, achieving simple clean lines around the door face.

For further information or assistance in installation of EzyJamb products, please visit:

<https://ezconcept.com.au/resources/installation-instructions/>

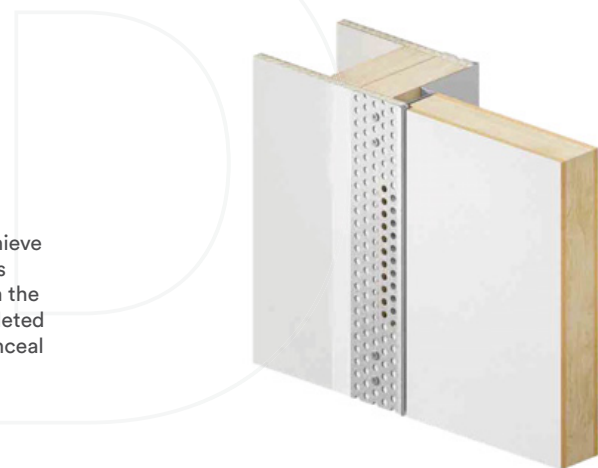




EzyJamb

ISD | Inswing Door Frame

EzyJamb Inswing Door - ISD is the ultimate door jamb system to achieve a seamless look in hallways and corridors. The EzyJamb ISD frame is suitable for applications that require the door to open inwardly from the flush side of the door, for a clean line along the wall face. The completed jamb is flush finished and can be painted in with the wall to fully conceal any fixing and is available with various hinge options.

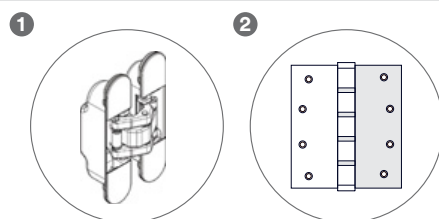


Specification Details

EZYJAMB ISD INSWING DOOR FRAME - FOR 47MM OR 57MM DOORS

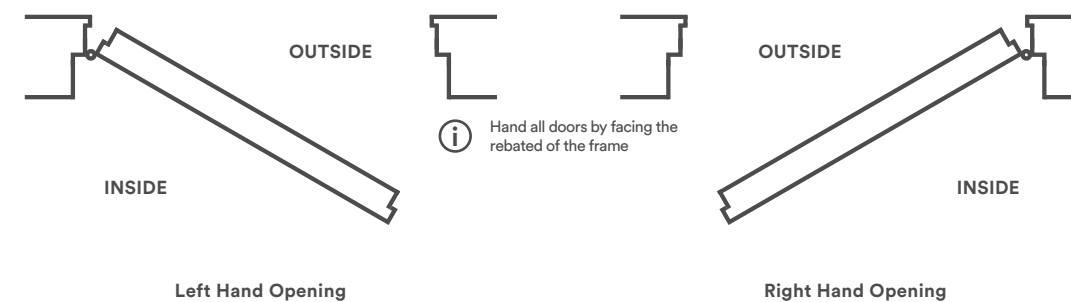
Door Height	2040mm, 2340 Standard	(Custom Sizes available on request)
Door Widths	420 - 1020mm	(Custom sizes available on request)
Door Thickness	47mm or 57mm	
Finished Wall Thickness	80 - 220mm	(Including Plaster)
Latch Plate Height	1020mm (Centre line from base of door frame)	(Custom measurement available upon request)

- Hinge Options
- 1 Concealed Hinges
 - 2 Mortise Hinges



Hinge datasheet available separately.

Door Handing

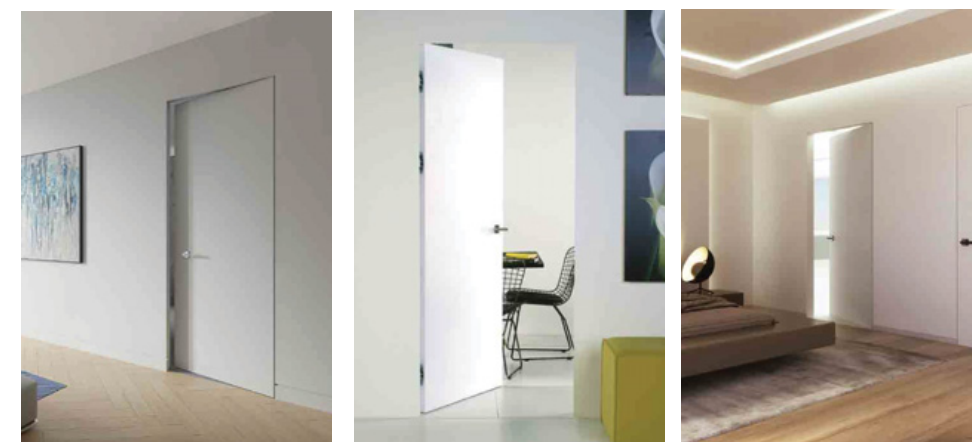


Completed Installation

The completed jamb is flush finished and can be painted in with the whole wall area to fully conceal any fixing, achieving simple clean lines around the door face.

For further information or assistance in installation of EzyJamb products, please visit:

<https://ezconcept.com.au/resources/installation-instructions/>



Door Opening Preparation

Ensure that the stud opening is square and level and measures:

Stud opening sizes for RY-60 Concealed Hinges

Width Single Door	Door Width + 60mm Clearance
Width Double Door	Door Width + 65mm Clearance
Height	Door Height + 30mm + Floor Coverings
ISD with Mortise Hinges	Door Width + 45mm

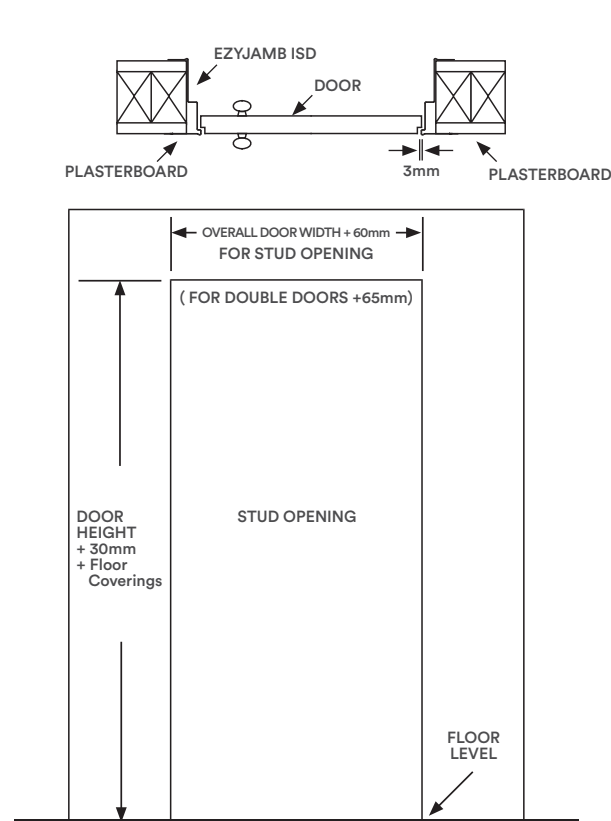
i Depending on floor clearance. Check with the Project Manager on site to confirm floor coverings.

Step 1

Ensure that the structural opening is square and level and is the correct size.

Make sure the stud frame opening has double studs, the manufacturer strongly recommends timber studs or a minimum .75mm metal studs on both sides of the opening.

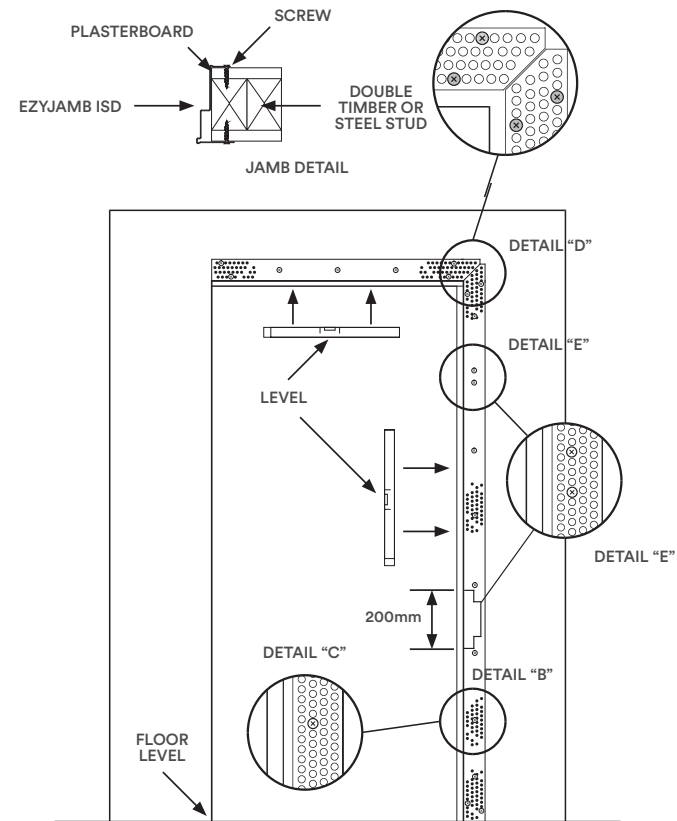
i When using concealed hinges, the stud must be **notched** at each hinge location to ensure proper fitment.



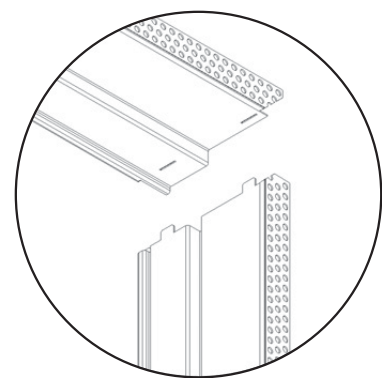
Step 2

Fasten hinge side first, making sure jamb is level and as tight against stud opening as possible. Then screw at 200mm centers up stile, screwing back through plasterboard into stud work See *Detail 'B'* and *'C'*.

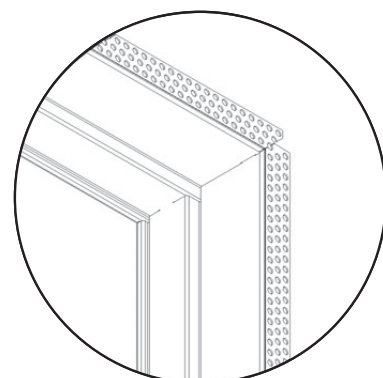
Double screw all ends as *Detail D*, and beside hinge position - both above and below hinge as *Detail E*.



Step 2A | Head Installation



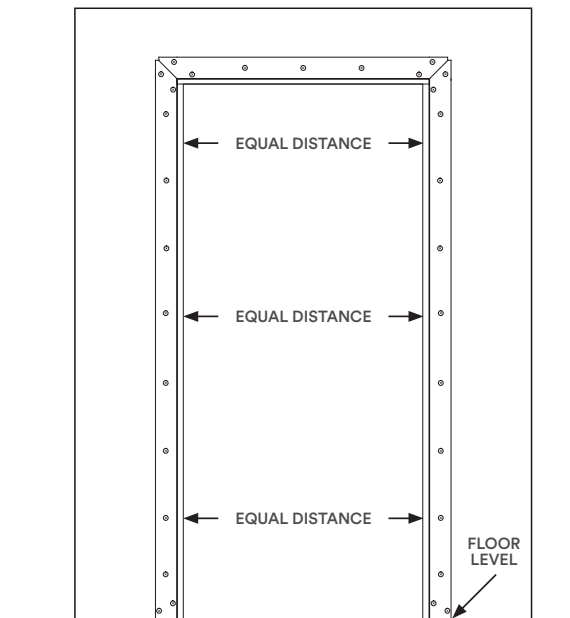
Locate fixing tabs to header.



Corner Detail Completed

Step 3

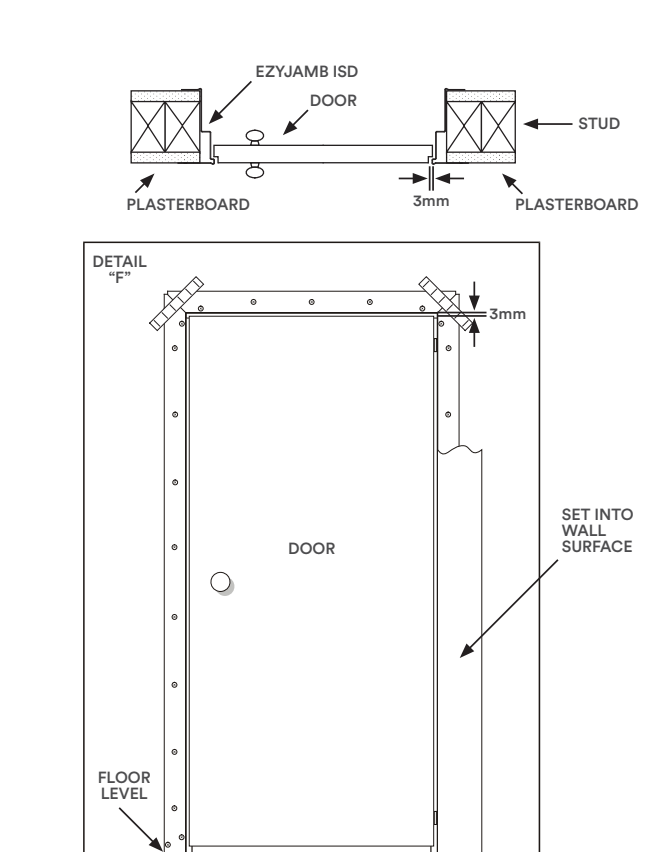
Fasten the final vertical section (strike jamb) below the head section. Ensure that the spacing between the two vertical sections are spaced evenly at the required distance.



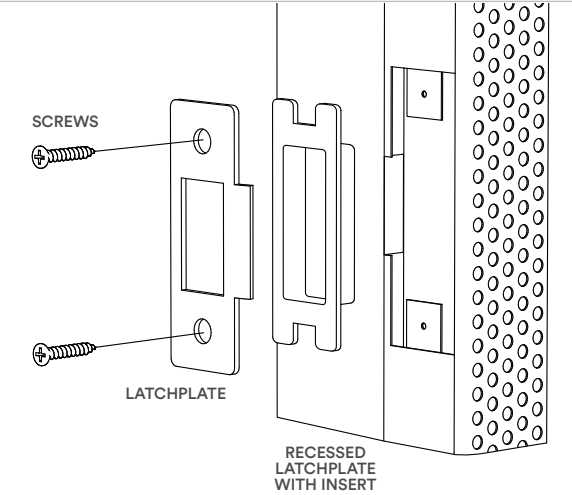
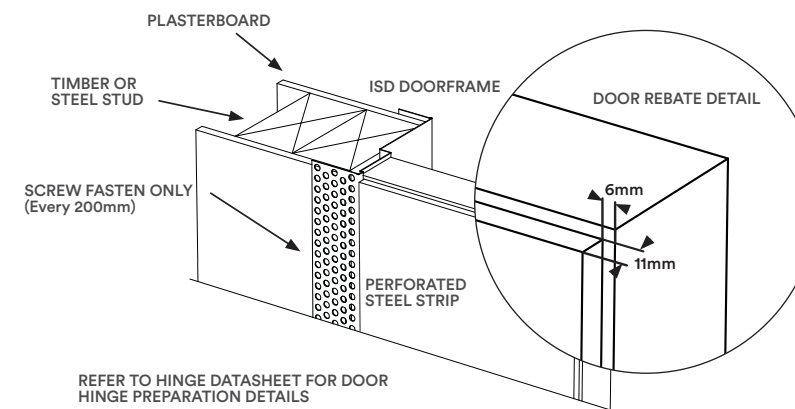
Step 4

Ensure the perforated side strips sit flat against the plasterboard to enable the jamb sections to be easily set into the wall surface. **All the corners must be taped and plastered/jointed in as Detail F.** Finish the jamb with approved plaster/jointing compound.

Hang the door in position leaving about 3mm clearance from the top and the hinged side using the Mortice or Concealed Hinges. Surface mount the striker plate into position to align with the latch plate punching.



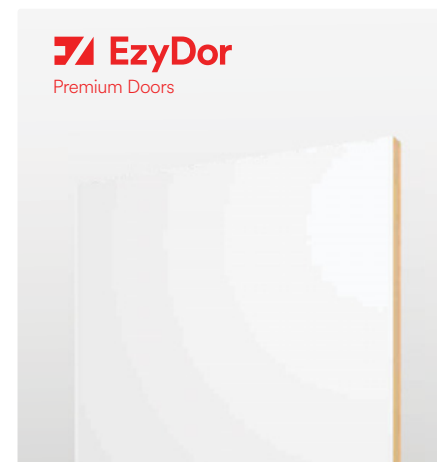
Door Rebate and Latch Plate Detail





*orders dispatched from Melbourne manufacturing plant. Delivery time may vary by state.

The QuickShip Range



QuickShip | The EZ Concept QuickShip Range

EzyJamb
SRC | Single Rebate

- All frames include hinges (Herline or RY-60 Concealed), a latch plate & screws
- 1020mm latch height


Suits 35mm Doors / 110mm Wall						
Part no.	Door Size	Door Thickness	Wall Thickness	Hand	Hinge	Hinge Qty
SRCQS-2040-720-D35-W110-HSS-RH	2040 x 720	35mm	110mm	RH	Herline SS	2
SRCQS-2040-720-D35-W110-HSS-LH	2040 x 720	35mm	110mm	LH	Herline SS	2
SRCQS-2040-820-D35-W110-HSS-RH	2040 x 820	35mm	110mm	RH	Herline SS	2
SRCQS-2040-820-D35-W110-HSS-LH	2040 x 820	35mm	110mm	LH	Herline SS	2
SRCQS-2340-720-D35-W110-HSS-RH	2340 x 720	35mm	110mm	RH	Herline SS	3
SRCQS-2340-720-D35-W110-HSS-LH	2340 x 720	35mm	110mm	LH	Herline SS	3
SRCQS-2340-820-D35-W110-HSS-RH	2340 x 820	35mm	110mm	RH	Herline SS	3
SRCQS-2340-820-D35-W110-HSS-LH	2340 x 820	35mm	110mm	LH	Herline SS	3
SRCQS-2340-920-D35-W110-HSS-RH	2340 x 920	35mm	110mm	RH	Herline SS	3
SRCQS-2340-920-D35-W110-HSS-LH	2340 x 920	35mm	110mm	LH	Herline SS	3

Suits 38mm Doors / 110mm Wall						
Part no.	Door Size	Door Thickness	Wall Thickness	Hand	Hinge	Hinge Qty
SRCQS-2040-820-D38-W110-RY60SC-RH	2040 x 820	38mm	110mm	RH	RY-60	2
SRCQS-2040-820-D38-W110-RY60SC-LH	2040 x 820	38mm	110mm	LH	RY-60	2
SRCQS-2340-720-D38-W110-HSS-RH	2340 x 720	38mm	110mm	RH	Herline SS	3
SRCQS-2340-720-D38-W110-HSS-LH	2340 x 720	38mm	110mm	LH	Herline SS	3
SRCQS-2340-720-D38-W110-RY60SC-RH	2340 x 720	38mm	110mm	RH	RY-60	3
SRCQS-2340-720-D38-W110-RY60SC-LH	2340 x 720	38mm	110mm	LH	RY-60	3
SRCQS-2340-820-D38-W110-HSS-RH	2340 x 820	38mm	110mm	RH	Herline SS	3
SRCQS-2340-820-D38-W110-HSS-LH	2340 x 820	38mm	110mm	LH	Herline SS	3
SRCQS-2340-820-D38-W110-RY60SC-RH	2340 x 820	38mm	110mm	RH	RY-60	3
SRCQS-2340-820-D38-W110-RY60SC-LH	2340 x 820	38mm	110mm	LH	RY-60	3

EzyJamb
ISD | Inswing

- All frames include RY-60 Concealed Hinges, a latch plate & screws
- 1020mm latch height

Suits 47mm Doors / 110mm Wall						
Part no.	Door Size	Door Thickness	Wall Thickness	Hand	Hinge	Hinge Qty
ISDQS-2040-720-D47-W110-RY60SC-RH	2040 x 720	47mm	110mm	RH	RY-60	2
ISDQS-2040-720-D47-W110-RY60SC-LH	2040 x 720	47mm	110mm	LH	RY-60	2
ISDQS-2040-820-D47-W110-RY60SC-RH	2040 x 820	47mm	110mm	RH	RY-60	2
ISDQS-2040-820-D47-W110-RY60SC-LH	2040 x 820	47mm	110mm	LH	RY-60	2
ISDQS-2340-820-D47-W110-RY60SC-RH	2340 x 820	47mm	110mm	RH	RY-60	3
ISDQS-2340-820-D47-W110-RY60SC-LH	2340 x 820	47mm	110mm	LH	RY-60	3



EzyJamb
EZC | Classic Adjust


- All frames include Herline hinges, a latch plate & screws
- 1020mm latch height

Suits 35mm Doors / 81-91mm Wall						
Part no.	Door Size	Door Thickness	Wall Thickness	Hand	Hinge	Hinge Qty
EJQS-2040720-D35-81/91-LHST	2040 x 720	35mm	81 - 91mm	LH	Herline SS	2
EJQS-2040720-D35-81/91-RHST	2040 x 720	35mm	81 - 91mm	RH	Herline SS	2
EJQS-2040820-D35-81/91-LHST	2040 x 820	35mm	81 - 91mm	LH	Herline SS	2
EJQS-2040820-D35-81/91-RHST	2040 x 820	35mm	81 - 91mm	RH	Herline SS	2

Suits 35mm Doors / 106-116mm Wall						
Part no.	Door Size	Door Thickness	Wall Thickness	Hand	Hinge	Hinge Qty
EJQS-2040720-D35-106/116-LHST	2040 x 720	35mm	106-116mm	LH	Herline SS	2
EJQS-2040720-D35-106/116-RHST	2040 x 720	35mm	106-116mm	RH	Herline SS	2
EJQS-2040820-D35-106/116-LHST	2040 x 820	35mm	106-116mm	LH	Herline SS	2
EJQS-2040820-D35-106/116-RHST	2040 x 820	35mm	106-116mm	RH	Herline SS	2
EJQS-2040920-D35-106/116-LHST	2040 x 920	35mm	106-116mm	LH	Herline SS	2
EJQS-2040920-D35-106/116-RHST	2040 x 920	35mm	106-116mm	RH	Herline SS	2
EJQS-2340720-D35-106/116-LHST	2340 x 720	35mm	106-116mm	LH	Herline SS	3
EJQS-2340720-D35-106/116-RHST	2340 x 720	35mm	106-116mm	RH	Herline SS	3
EJQS-2340820-D35-106/116-LHST	2340 x 820	35mm	106-116mm	LH	Herline SS	3
EJQS-2340820-D35-106/116-RHST	2340 x 820	35mm	106-116mm	RH	Herline SS	3
EJQS-2340920-D35-106/116-LHST	2340 x 920	35mm	106-116mm	LH	Herline SS	3
EJQS-2340920-D35-106/116-RHST	2340 x 920	35mm	106-116mm	RH	Herline SS	3

Suits 38mm Doors / 85-95mm Wall						
Part no.	Door Size	Door Thickness	Wall Thickness	Hand	Hinge	Hinge Qty
EJQS-2040820-D38-85/95-LHST	2040 x 820	38mm	85-95mm	LH	Herline SS	2
EJQS-2040820-D38-85/95-RHST	2040 x 820	38mm	85-95mm	RH	Herline SS	2
EJQS-2340820-D38-85/95-LHST	2340 x 820	38mm	85-95mm	LH	Herline SS	3
EJQS-2340820-D38-85/95-RHST	2340 x 820	38mm	85-95mm	RH	Herline SS	3


Suits 38mm Doors / 110-120mm Wall						
Part no.	Door Size	Door Thickness	Wall Thickness	Hand	Hinge	Hinge Qty
EJQS-2040820-D38-110/120-LHST	2040 x 820	38mm	110-120mm	LH	Herline SS	2
EJQS-2040820-D38-110/120-RHST	2040 x 820	38mm	110-120mm	RH	Herline SS	2
EJQS-2340820-D38-110/120-LHST	2340 x 820	38mm	110-120mm	LH	Herline SS	3
EJQS-2340820-D38-110/120-RHST	2340 x 820	38mm	110-120mm	RH	Herline SS	3



SlideSet
Flush Cavity Slider System

All sliders are supplied to suit 90mm studs & 35-42mm doors


Part no.	Door Size	Door Thickness	Stud Thickness
CSCFQS-2040-820-D35	2040 x 820	35/38mm	90mm
CSCFQS-2340-820-D35	2340 x 820	35/38mm	90mm
CSCFQS-2340-920-D35	2340 x 920	35/38mm	90mm



CavKit
Cavity Slider Trim Kit

All slider trims are supplied with a Rebated Closer Cap to suit 110-112mm walls & 35/38mm doors






Part no.	Door Size	Door Thickness	Wall Thickness
CCQS-2040720-D38-W112	2040 x 720	35/38mm	112mm
CCQS-2040820-D38-W112	2040 x 820	35/38mm	112mm
CCQS-2340720-D38-W112	2340 x 720	35/38mm	112mm
CCQS-2340820-D38-W112	2340 x 820	35/38mm	112mm
CCQS-2340920-D38-W112	2340 x 920	35/38mm	112mm



EzyDor
Premium Doors

All doors feature a Multi-Rail Core internal body and a 6mm skin

Door Type	Door Size	Door Width	Door Thickness
Frame Core Flush Panel	2040mm	720mm	35mm
Frame Core Flush Panel	2040mm	820mm	35mm
Frame Core Flush Panel	2340mm	720mm	35mm
Frame Core Flush Panel	2340mm	820mm	35mm
Frame Core Flush Panel	2340mm	920mm	35mm
Frame Core Flush Panel	2040mm	820mm	38mm
Frame Core Flush Panel	2340mm	820mm	38mm
Frame Core Flush Panel	2340mm	920mm	38mm

-  Quantity restrictions may apply
-  If your door sizes differ from the dimensions above, please contact Studco for pricing
-  Lead times apply for all custom orders & will be advised by Studco upon receipt of order
-  Please contact Studco for any project specific pricing
-  Orders dispatched from Melbourne manufacturing plant. Delivery time may vary by state.



EzyDor

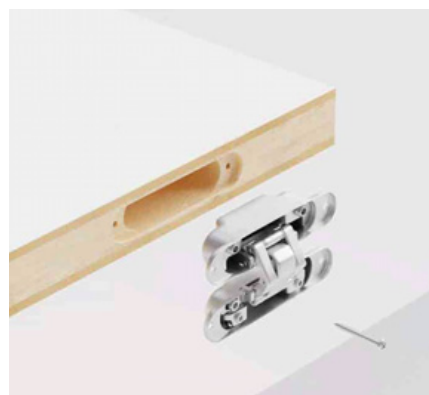
Premium Doors

The EzyDor® line of premium flush finished doors perfectly integrates with EzyJamb® frames and SlideSet® cavity sliders.

Together with EZ Concept's robust architectural opening systems selection, EzyDor completes the end-to-end modern doorway.



Product Features



Door Preparation

All required hinge and lock preps are machined to match frames upon delivery.



The Complete System

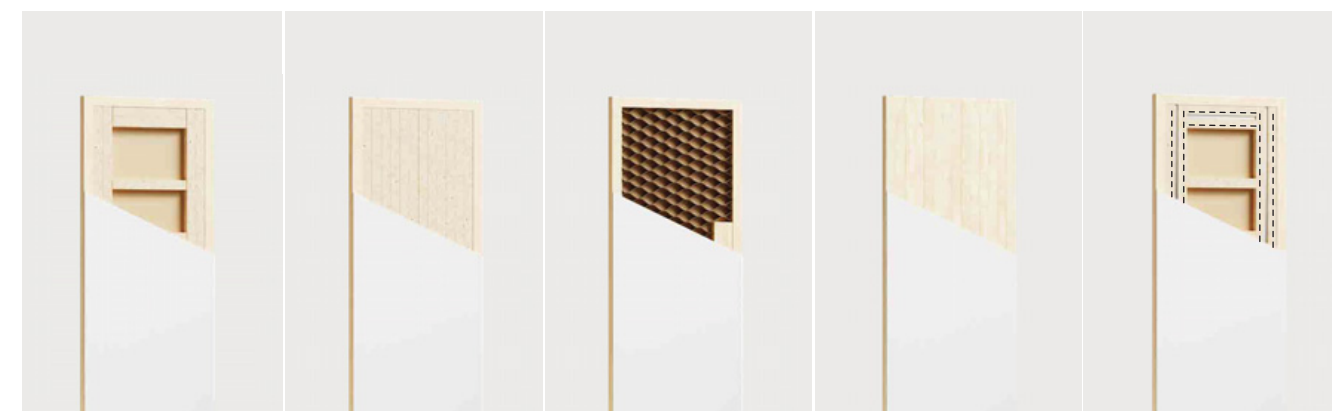
The EzyDor is designed for seamless pairing with EzyJamb frames & RocYork hardware.



For Swing and Sliding Doors

Seamlessly integrates with EzyJamb for swing doors and SlideSet for cavity sliders.

Interior Profiles



Frame Core

Fabricated multi-rail core

107mm combination pine/particle board frame all around

Full-height universal lockblocks (LH & RH)

Optional internal metal frame

Solid Core

Solid moisture-resistant particle board core

32mm pine frame all around

Optional internal metal frame

Honeycomb

Honeycomb pattern cellular core

32mm pine frame all around

Universal lockblocks (LH & RH)

Block Board Core

Solid moisture-resistant pine core

Optional internal metal frame

Internal Metal Frame

Internal metal frame offers resistance to bowing

Fabricated multi-rail core

107mm combination pine/particle board frame all around

Full-height universal lockblocks (LH & RH)

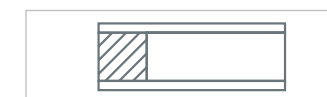
Specification Details

Profile Name	Door Height	Door Widths	Door Thickness	Custom Sizes	Skin Options
Frame Core	2040mm / 2340mm	420 - 1200mm	35mm / 38mm / 45mm	Up to 3000 x 1500mm*	6mm / 9mm primed MDF 6mm Duracote
Internal Metal Frame	2040mm / 2340mm	420 - 1200mm	32mm - 60mm	Up to 3000 x 1500mm*	6mm / 9mm primed MDF 6mm Duracote
Solid Core	2040mm / 2340mm	420 - 1200mm	32mm - 60mm	Up to 3000 x 1500mm*	6mm / 9mm primed MDF 6mm Duracote
Block Board	2040mm / 2340mm	420 - 1200mm	32mm - 60mm	Up to 3000 x 1500mm*	6mm / 9mm primed MDF 6mm Duracote
Honeycomb	2040mm / 2340mm	420 - 1200mm	35mm / 38mm		6mm / 9mm primed MDF 6mm Duracote

Product View



Frame Core profile pictured.



Flush Door Profile



RocYork

Door Hardware

Tell the story of your design with elegance.

The RocYork® line of door hardware brings a versatility to interior design. Detail door openings with finely expressed modernity. Visually modern hinges sleek in their craftsmanship and fine in their formation.

RocYork hardware is fashioned with high grade materials for an enduring excellence built for life. Curated for flexibility in application extending residential and commercial spaces along with a high variance in project specifications.

The RocYork Line



Concealed Hinge

The elegance of minimalism fully realised. Concealed Hinges are designed to complete extravagant interior spaces.



NoHa Invisible Handle

Eliminate all door protrusion beginning with the handle. This recessed latch is visually subtle and doubles as a magnetic lock.



Herline Hinge

Surface mounted & self tapping screws for ease of installation. Complete with a loose pin for ease of door removal.



Lift Off Hinge

The leaves lift apart for quick door removal in an emergency. Suitable for openings that require a service gap.



Mortise Hinge

Built for durability and available in two sizes to accommodate heavier loads.

RocYork | Door Hardware

Concealed Hinges

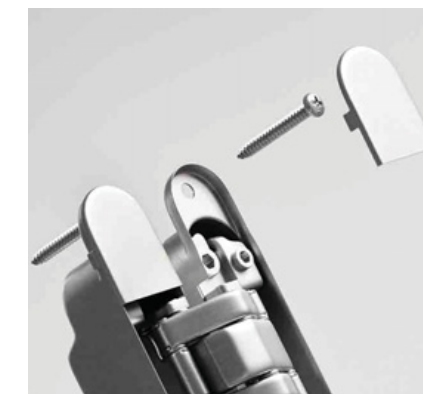
Fluid architectural detailing sometimes means removing the details.

Concealed Hinges utilise an inset barrel and pin for a finish that is invisible in a closed door. The result is a fine line perimeter uncluttered by hardware and fitting of a lush contemporary space. Aesthetic form meets endurance as the hinge is designed to withstand high usage and slamming over extended periods.



Invisible Barrel & Pin

The barrel sits inside the door whilst the hinge collapses inside the hinge body upon closure.



Low Profile Hinge Covers

Sleek covering to hide the inner workings of the hinge for a subtle visual finish.



Maintenance Free

Constructed with a bearing mechanism that required no maintenance.



Three Axis Adjustability

Find the perfect fit with ease as the hinge features three points of adjustability easily maneuvered with an allen key. This allows for adjustability of the height of the door, the width of the clearance between the door and jamb, and the depth of the door position.

Profiles



RocYork RY60 Concealed Hinge

EJHIN-RY60

Finish	Satin Chrome Black White
Capacity	60kg - 2 x RY60 Hinges 76kg - 3 x RY60 Hinges
Min Door Thickness	35mm

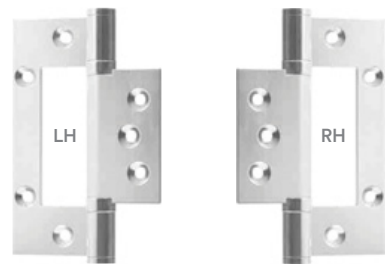


RocYork RY80 Concealed Hinge

EJHIN-RY80-SC/BF

Finish	Satin Chrome
Capacity	80kg - 2 x RY80 Hinges 103kg - 3 x RY80 Hinges
Min Door Thickness	35mm

Surface Mounted Hinges

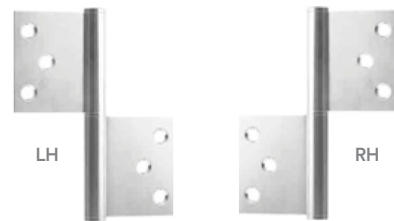
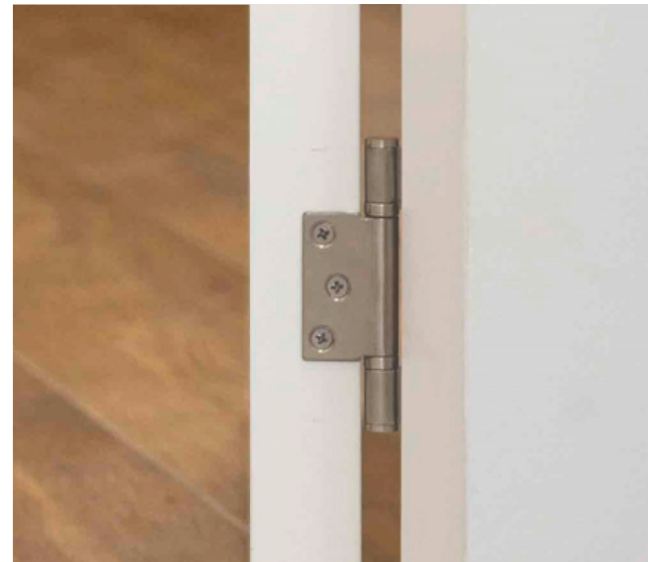


RocYork Herline Hinge

EJHINSS-LH/RH

Specially designed and manufactured to partner with the EzyJamb door jamb systems, the loose pin RocYork Herline Hinges are surface mounted with self-tapping screws, making them easy to install.

Finish	Stainless Steel
	Black

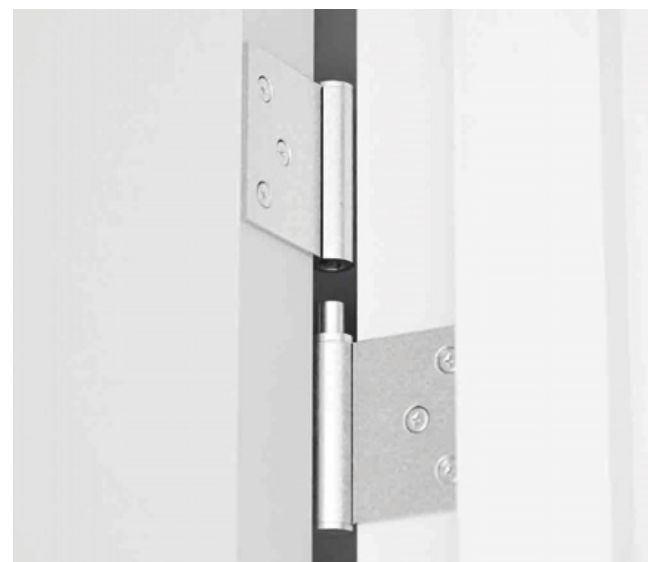


RocYork Lift-off Hinge

EJHINSS-LIFT

For greater flexibility, the RocYork Lift-off hinges are ideal for doors that require a service gap, such as apartment bathrooms, as they can quickly be lifted and removed without the need for unscrewing the hinge; saving time in an emergency.

Finish	Stainless Steel
	Black

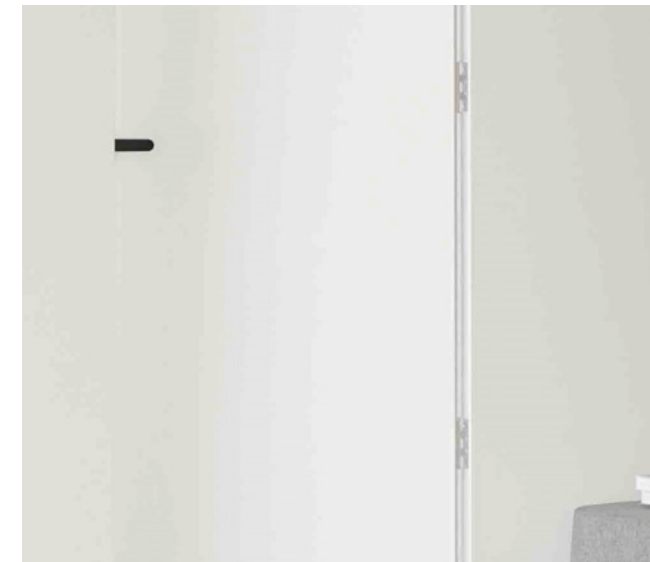


RocYork Mortice Hinge

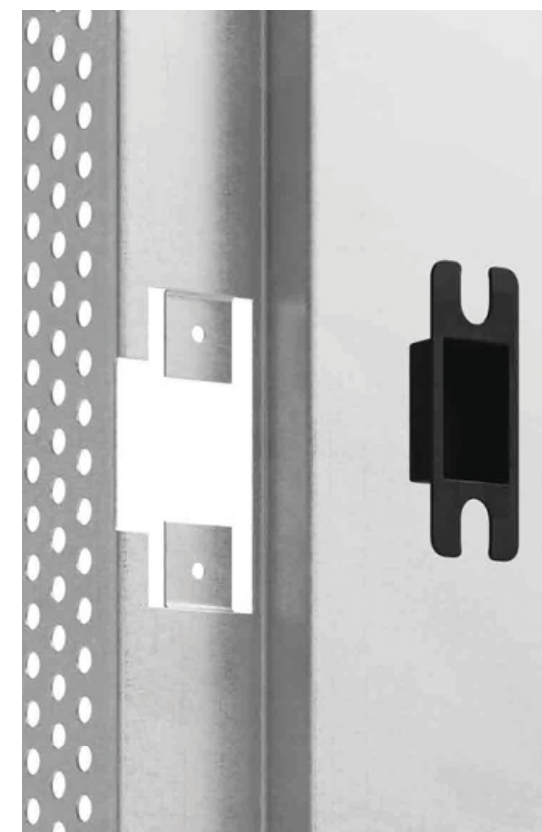
RY4312SS

Specially designed and manufactured to partner with the EzyJamb door jamb systems, the ball bearing, fixed pin, RocYork mortice hinge is designed to keep the knuckle closer to the wall than traditional mortice hinges. Two sizes offered to meet a range of weighting requirements; the 114mm model is designed to be paired with heavier duty doors.

Finish	Stainless Steel
Sizing	100mm & 114mm



Hardware Accessories



EzyJamb Latchplate

EJLATCH-SS

Finish	Stainless Steel
--------	-----------------

EzyJamb Latchplate Insert

EJINSERT

Finish	Black Polyurethane
--------	--------------------

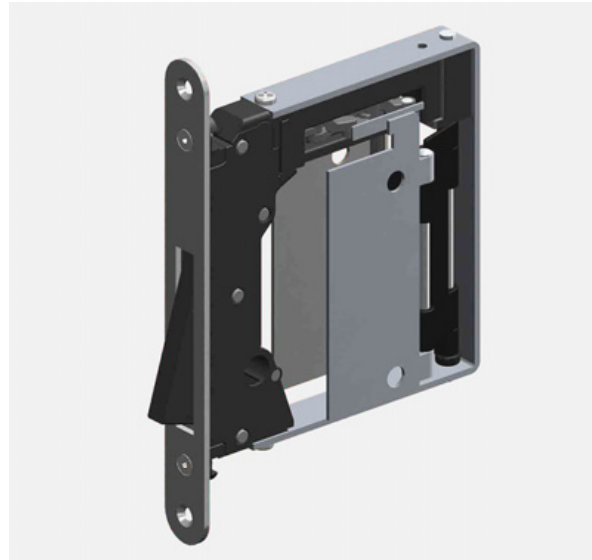
NoHa Invisible Handle

Clean line design, hidden in plain sight.

The NoHa Invisible Handle integrates the door handle and magnetic lock into a singular unit. The handle is revealed only by the fine line of its cover which can be specified to the same finish as the surrounding door and walls.

The RocYork No-Ha collection includes:

- NoHa Swing for swing doors
- NoHa Slide for sliding doors
- NoHa Cabinet for drawers, cupboards and other accessories

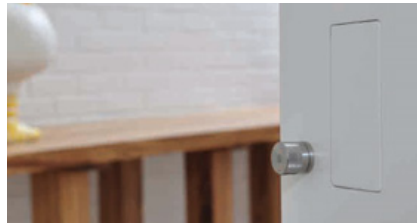


Features



Interchangeable Cover Plate

The cover plate is interchangeable so that it can be made to match the finish of the door panel. Also available in MDF or brushed stainless steel to suit your interior finishing texture.



Security Options

A selection of door knobs and privacy locks can be applied for entries such as bathrooms. The lock is only visible from the inside to maintain the clean finish on the other side.



Maintenance Free

Resistant to wear-and-tear and oxidation. High grade composition ensures maintenance is not required over time.

Profiles



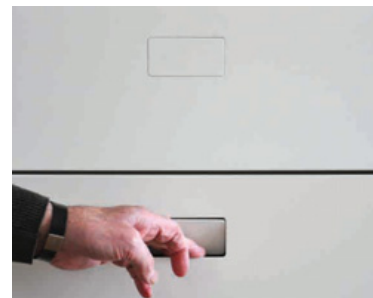
No-Ha Slide

For application in sliding doors.



No-Ha Swing

For application in swing doors.



No-Ha Cabinet

For application in furniture such as drawers and cupboards.

Product Details

Variant	Description	Finishing
Swing	NoHa Lock and Strike - Passage	Satin Chrome
Swing	NoHa Lock and Strike - Passage	Black
Swing	NoHa Lock and Strike - Privacy	Satin Chrome
Swing	NoHa Lock and Strike - Privacy	Black
Sliding	NoHa Sliding Handle - One Side (Available for Single door or Double door)	
Sliding	NoHa Sliding Handle - Two Side (Available for Single door or Double door)	
Cabinet	NoHa Cabinet Handle - One Side	

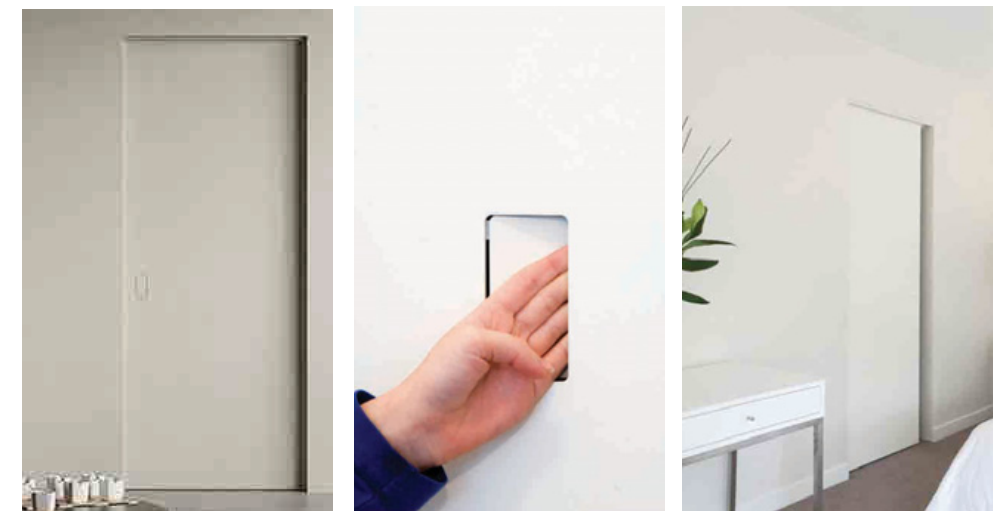
i Finish can also be created by cutting out a section of the door in use; fixing this to the NoHa unit to serve as the cover plate for a perfect continuation of colour and texture between surfaces.

Completed Installation

The handle produces a polished finished hiding in plain sight. Take a look into some installations of the NoHa utilised for swing and sliding doors.

For further information or assistance in installation of RocYork products, please visit:

<https://ezconcept.com.au/resources/installation-instructions/>





CavKit

Trims to suit cavity sliders

Transform standard cavity sliders into architrave-free cavity sliders with CavKit®; a flush finish system that trims and caps the plasterboard edges around the door penetration to transform a cavity slider that can be hidden when open and provide privacy when closed.



Specification Detail

CAVKIT FLUSH FINISH CAVITY SLIDER TRIM KIT#		ITEMS INCLUDED IN KIT
Door Height	2040mm / 2340mm	1x 2.7m length Closer Cap
Door Widths	720 - 920mm	2x EzyReveal to Suit Height* 2x EzyReveals to Suit Width*
Finished Wall Thickness	77/84/90/96/102/110/116/124	(Specify Door Width and Finished Wall Thickness)

* Custom RLA reveals with returns available on request.

Cavity Slider unit not included with trim kit. Refer to SlideSet on page 20.

QuickShip

Receive faster delivery with the EzyJamb QuickShip Program.

- All slider trims are supplied with a rebated closer cap to suit 110-112mm walls & 35/38mm doors.
- All Quickship items ready for shipment in 48 hours, quantity restrictions may apply.
- If your door sizes differ from the dimensions above please contact Studco for pricing.
- Lead times apply for all custom orders & will be advised by Studco upon receipt of order.
- Please contact Studco for any project specific pricing.

CavKit | Cavity Slider Trim Kit

Part No.	Door Size	Door Thickness	Wall Thickness
CCQS-2040720-D38-W112	2040X720	35/38mm	112mm
CCQS-2040820-D38-W112	2040X820	35/38mm	112mm
CCQS-2340720-D38-W112	2340X720	35/38mm	112mm
CCQS-2340820-D38-W112	2340X820	35/38mm	112mm

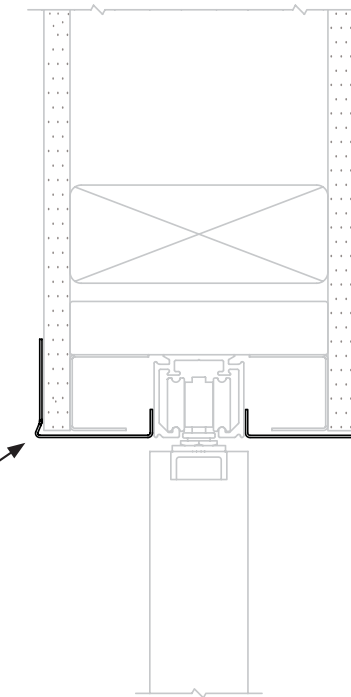
Installation Detail

CavKit | Head Detail

EzyReveal
Flush Finish to Plasterboard

EzyReveal
Flush Finish to Plasterboard

EzyReveal
Flush Finish to Plasterboard

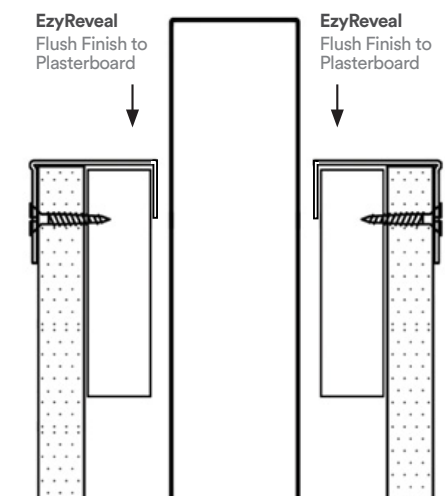
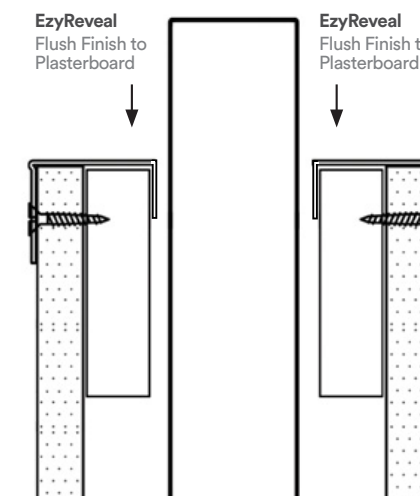
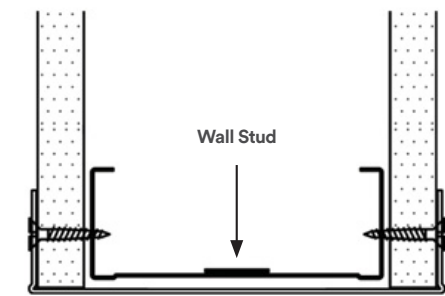
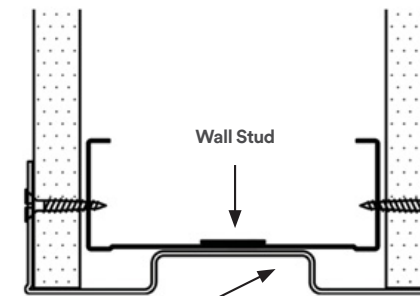


CavKit | Plan View

CavKit with Closer Cap as Standard

CavKit | Plan View

CavKit with EzyCap upon request



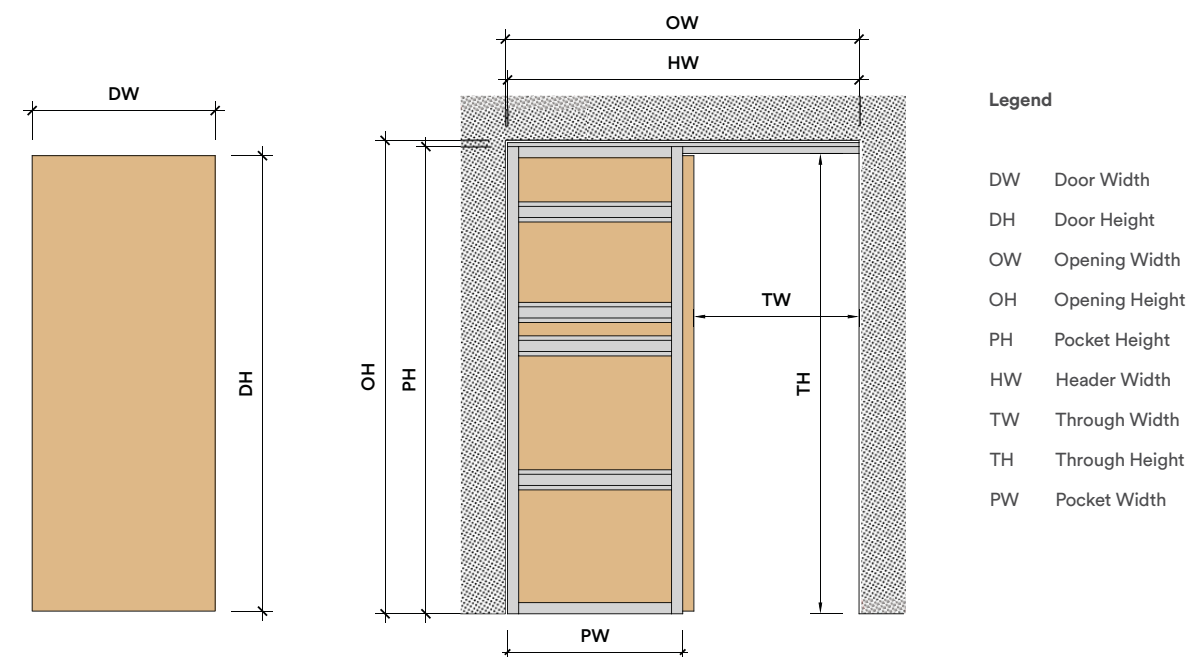
Standard Closer Cap



Optional EzyCap



Product Details



SlideSet

The Flush Finish Cavity Slider Solution

Create fluidity between rooms with SlideSet; the flush finish cavity slider system that gives the ability to completely conceal the door and give the impression that the door does not exist when open and complete privacy when closed.

The full height system is designed to allow the underside of the track to be flush with the ceiling, providing a smooth continuous flow from room to room.

SlideSet Features

- Durable and sturdy riveted steel frame
- Hardware concealed in the door providing minimum gap between door and track
- High quality ball bearing rollers and aluminium track
- Available to suit custom door sizes and weights
- Double sliding doors available



* Door not included.

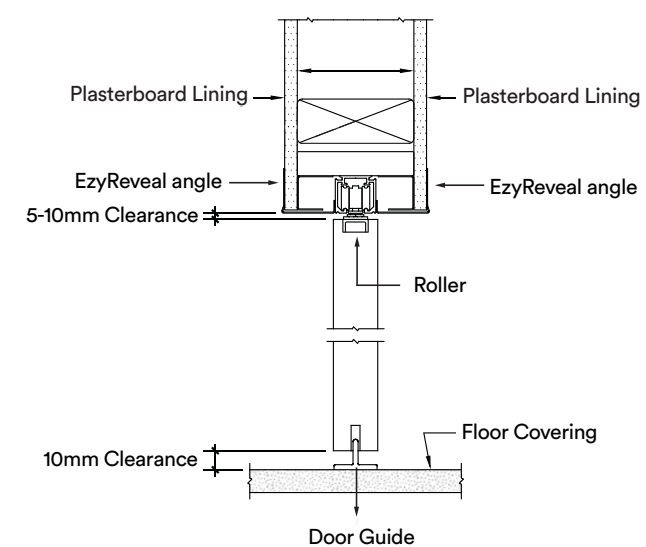
Specification Detail

EZ CONCEPT CAVITY SLIDER SYSTEM

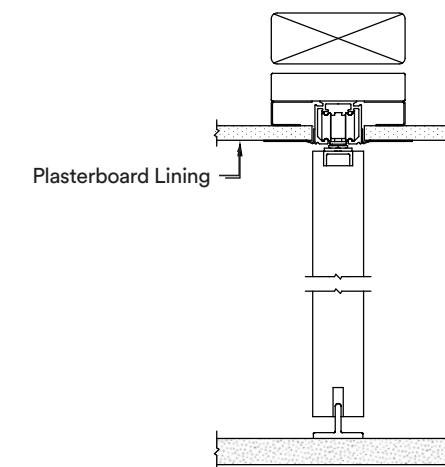
Door Height	2040mm, 2340mm	(Custom Sizes available on request)
Door Widths	520mm - 1220mm	(Single & Double available + Custom sizes)
Door Thickness	35mm - 38mm	(Custom Sizes available on request)
Door Weights	60kg	(Other Weights available on request)
Head Options	Standard or Full Height	

Wall, Ceiling & Floor Details

Standard (in wall)



Full Height (in ceiling)



Door Opening Preparation

Ensure that the stud opening is square and level and measures:

Stud opening sizes for SlideSet Steel Cavity Sliders

Width Single Door	Door Width x 2 + 22mm Clearance
Width Double Door	Door Width x 4 - 11mm Clearance
Height	Door Height + 75mm Clearance + Floor Coverings

Stud opening sizes for SlideSet Timber Cavity Sliders

Width Single Door	Door Width x 2 + 60mm (for door flush with split jambs)
Width Double Door	Door Width x 4 + 60mm (for flush doors with split jambs)
Opening Height (sub-floor to trimmer)	Door Height + 55mm + floor covering thickness. Cavity frames are designed to fit onto the sub-floor surface (i.e. concrete/timber) before floor coverings.

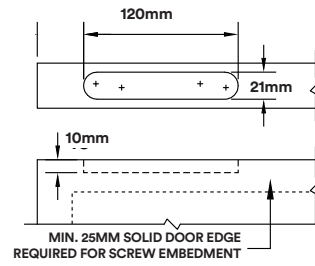
- i Check with the Project Manager on site to confirm floor coverings.
- i Refer to EZ Concept dimension sheet for oversized doors and/or where a door projection is required.

Door Prep

Door preparation required for installation of the Standard Roller is displayed (see right).

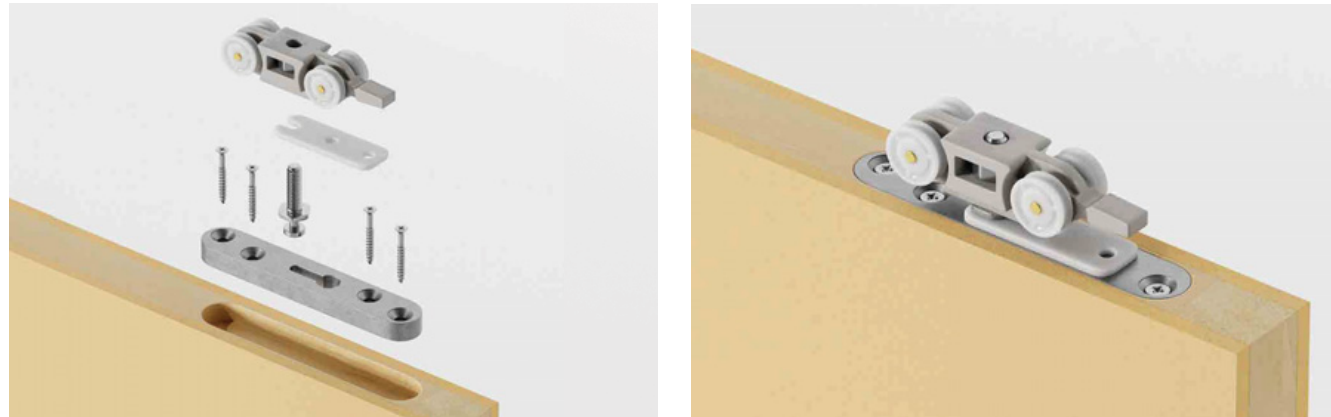
The mortise is 120mm in length and 21mm in width at a 10mm depth. To be cut in the same rounded-edge shape as the Roller for a suitable fit.

i This mortise and all relevant door preparation can be pre-prepared if ordering an EzyDor along with the SlideSet cavity slider.



Rollers

The Standard Roller Set sits inside a mortise on the top of the door. This four wheel carriage enables the smooth rolling of the cavity slider along its track.



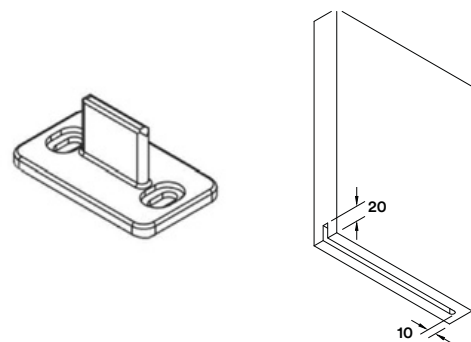
Soft Closer

A Soft Closer designed for the smooth closure of the sliding door. This will catch the door and softly guide it into closure position.



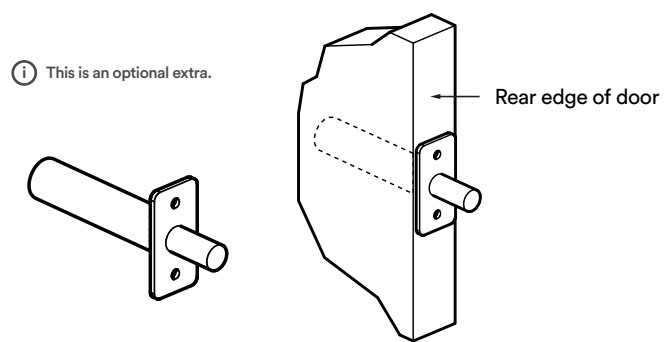
Door Guide

This fin mechanism fits into a groove in the underside of the door to guide it through opening and closing. As displayed below, the guide requires a 20mm vertical clearance along with a 10mm clearance at the end of the track.



Door Release

The door release system that easily pairs with the SlideSet. Mounted on the rear edge of the door, this spring mechanism releases the open door from its cavity with a simple push.



Closing Jamb Options

PROFILE VIEW

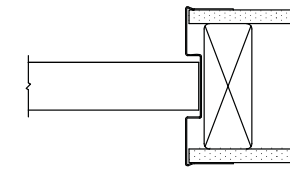
STANDARD HEIGHT INSTALLATION

FULL HEIGHT INSTALLATION

Rebated Wall Cap

CJ1

Features a rebate for the door to sit inside whilst closed. The clearance past the surface of the closing jamb ensures there is no gap between the door and the wall whilst closed - ideal for privacy between rooms. Also features flanges on either side with perforations to screw in. This is suitable for a non-continuous wall.

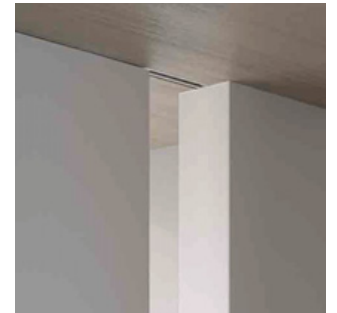
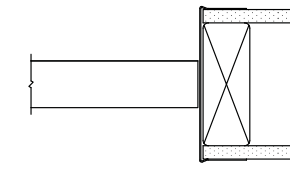


Flat Wall Cap

CJ2

Features a flat cap for the cavity door to rest against whilst closed.

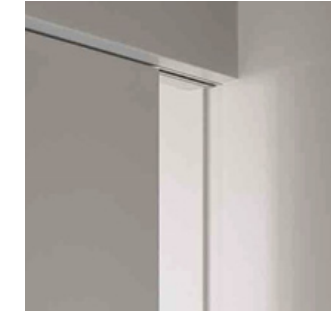
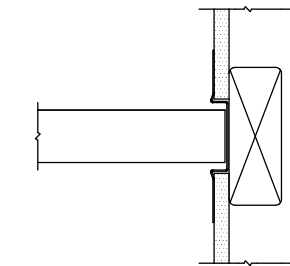
The profile also features flanges on either side with perforations to screw in. This is suitable for a non-continuous wall.



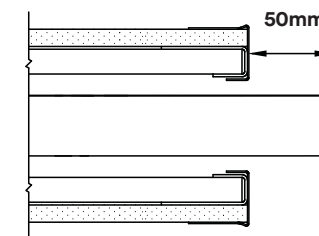
Rebated Passage Cap

CJ3

Features a rebate for the door to sit inside whilst closed. The clearance past the surface of the closing jamb ensures there is no gap between the door and the wall whilst closed - ideal for privacy between rooms. Unlike the Rebated Wall Cap, this profile features flat flanges suitable for a continuous wall installation on the side of the closing jamb.

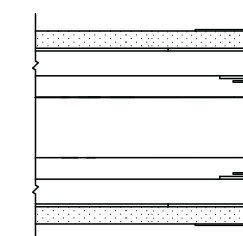


Open Door Projection Options



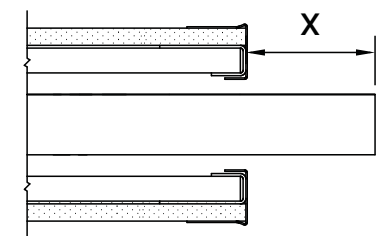
50mm Protrusion

The door protrudes 50mm from the jamb whilst open. This leaves the door slightly visible in this position and provides leverage to grab and close the door.



Flush

A flush finish wherein the door sits level with the jamb whilst open. This entirely conceals the door from view into the pocket for a minimalist visual.



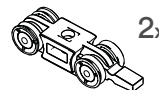
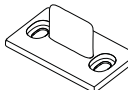
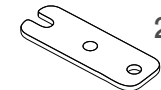
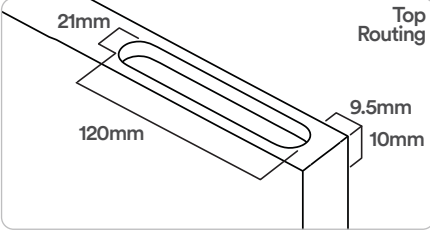
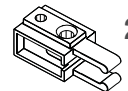
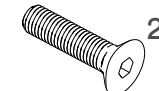
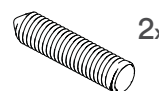
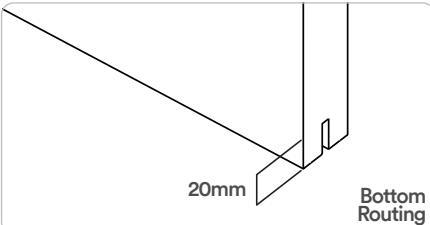
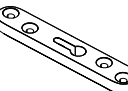
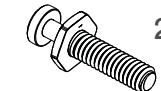
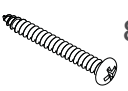
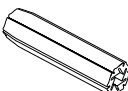

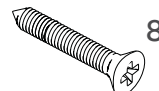
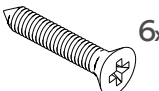
Custom

X represents a custom door opening projection. This is specified to custom cavity slider needs.

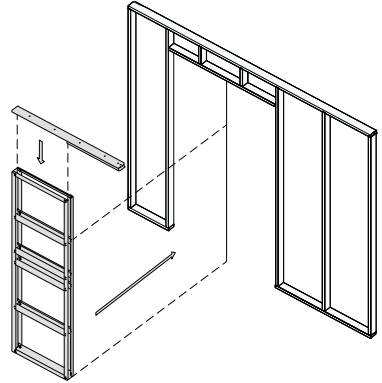
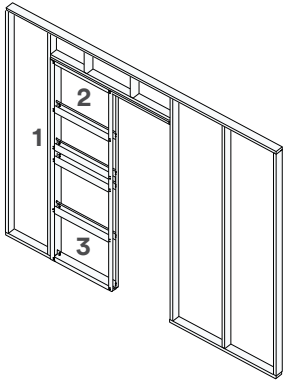
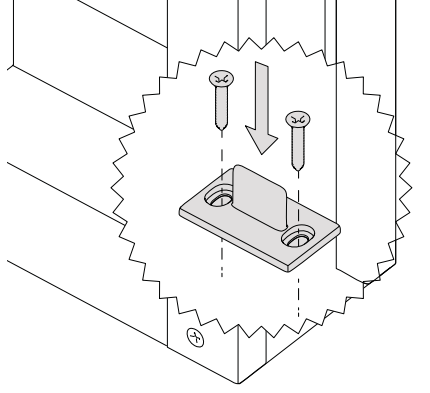
Installation Instructions

Before you Build | SlideSet Preparation

Check that all listed parts are included prior to beginning installation.

 2x	 1x	 2x	
 2x	 2x	 2x	
 2x	 2x	 8x	 2x
 1x	 8x	 6x	

Step 1 | Pocket Assembly

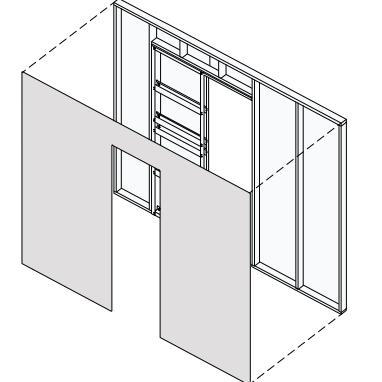
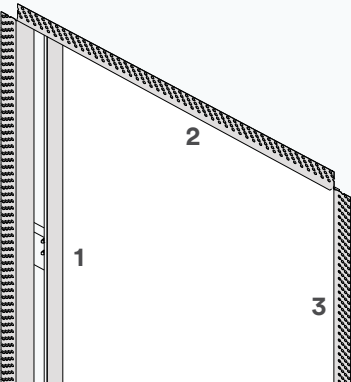
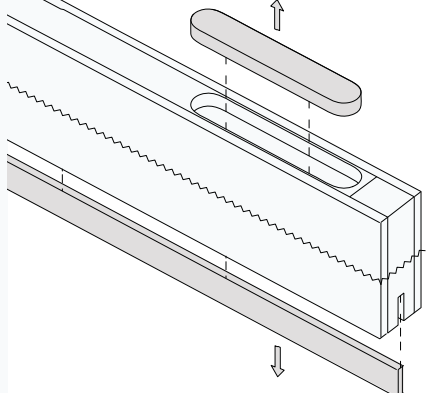




1A Fix header to pocket using A Screws, then fit pocket assembly to frame.

1B Screw off at backpost, header & bottom.

1C Fix door guide to floor using C Screws.

Step 2 | Reveal Assembly (CavKit) & Door Routing

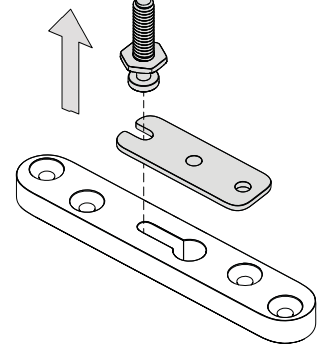
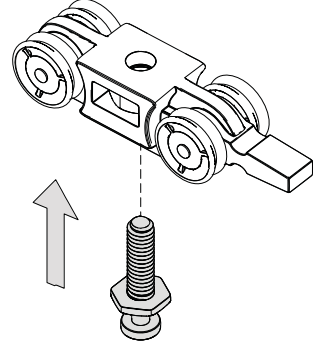
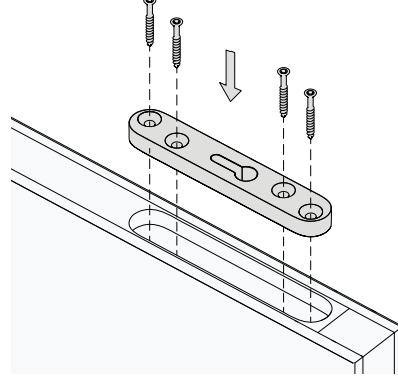
2A Install Plasterboard.

2B Install reveals, starting with the split jambs, then header, and end cap.

2C Route top and bottom of door.

Installation Instructions

Step 3 | Bracket Assembly

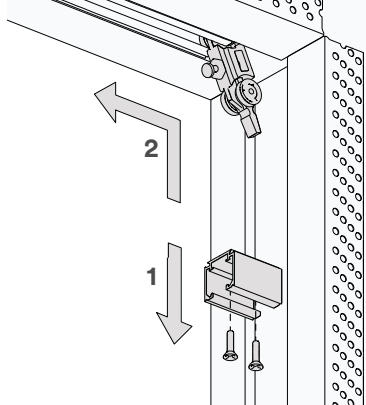
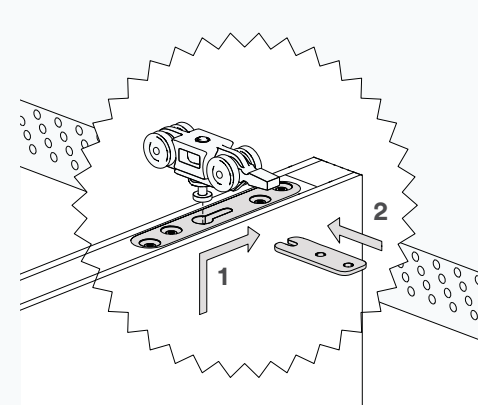
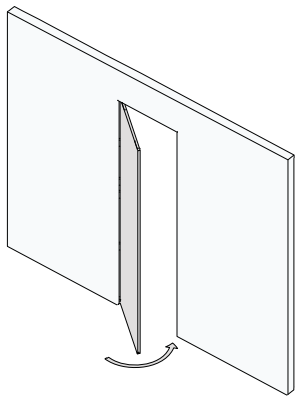




3A Remove plastic tab from bracket and set aside. Remove centre pin from bracket.

3B Screw centre pin into wheel carriage and adjust to desired gap by rotating clockwise or counter-clockwise.

3C Screw base bracket into routing using B Screws.

Step 4 | Back Roller Installation in Door

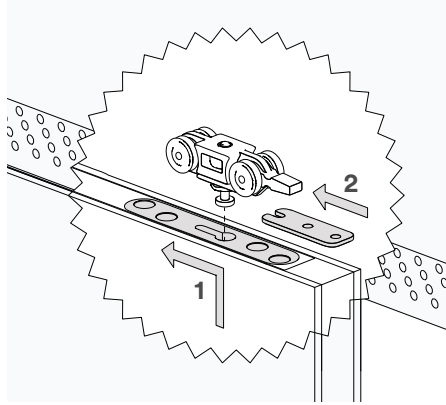
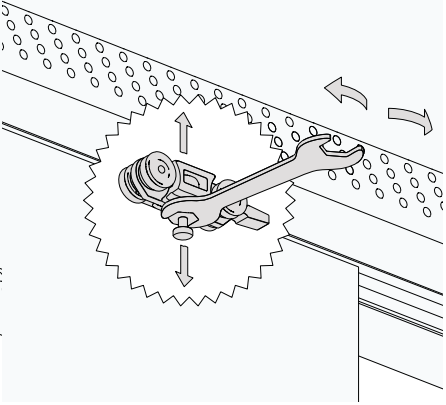
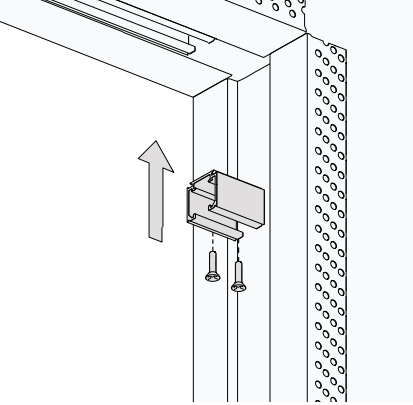




4A Unscrew end piece and place roller for back of unit into track. Set end piece and screws aside for reinstallation later.

4B Bring door 90° to opening, lift and slide to connect centre pin into base bracket. Use plastic tab to fix centre piece in place.

4C Rotate door to slide halfway back into cavity.

Step 5 | Front Roller Installation in Door

5A Place front roller into track. lift and slide to connect centre pin into base bracket. Use plastic tab to fix centre piece in place.

5B Adjust door height using the spanner provided. Rotate clockwise or counter-clockwise to adjust. Repeat on both rollers.

5C Attach end piece of track. Finish and paint door.



AccessDor

Concealed Access Jamb for Walls

For premium concealment of large services and risers in walls, the AccessDor Concealed Access Jamb is the ultimate choice.

Customized to your exact size requirements and expertly finished so it is almost invisible in the wall. The system is suitable for access to in-wall services and risers.



* Door sold separately.

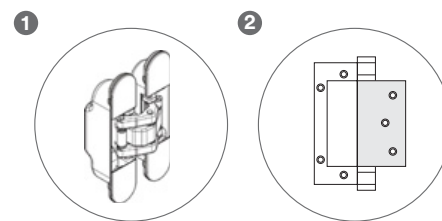
Specification Details

ACCESSDOR CONCEALED ACCESS JAMB

Max Frame Width	932mm (Single)	1864mm (Double)	(Custom Sizes Available)
Max Frame Height	2450mm		(Custom Sizes Available)
Suitable Door Thickness	35mm		

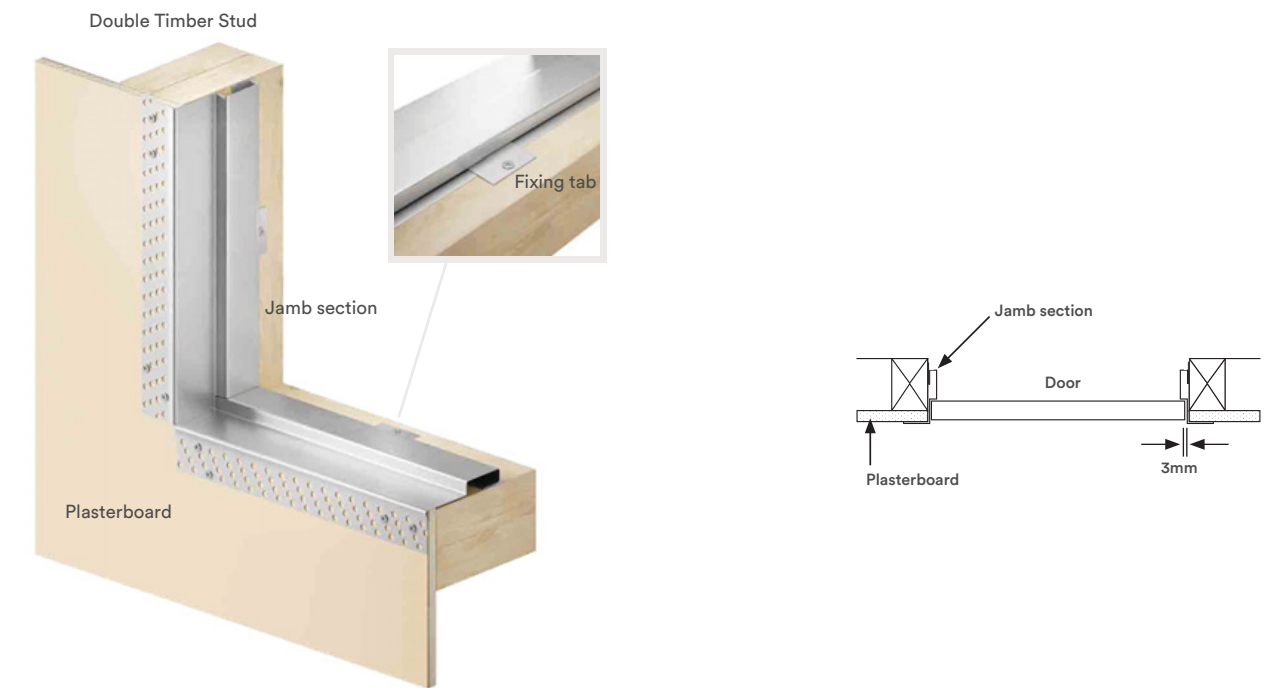
- Options
- Available with a single piece or split piece jamb
 - Acoustic ratings available on selected products
 - Single or double access panel options available

- Hinge Options
- 1 Concealed Hinges
 - 2 Herline Hinges

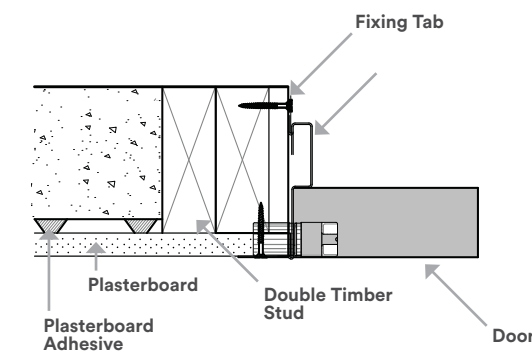


i Jamb is pre-punched to suit standard door latch.

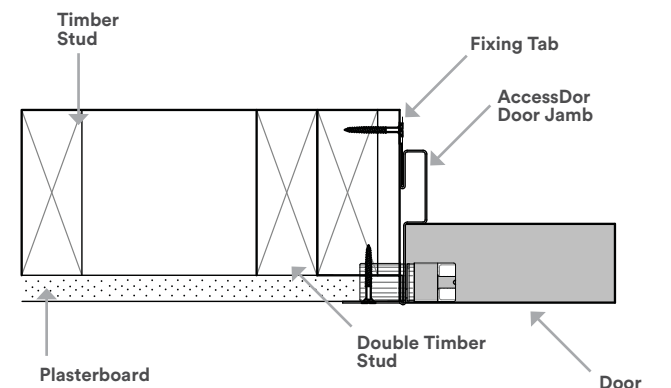
Installation Detail



Masonry Wall Details



Timber Stud Details

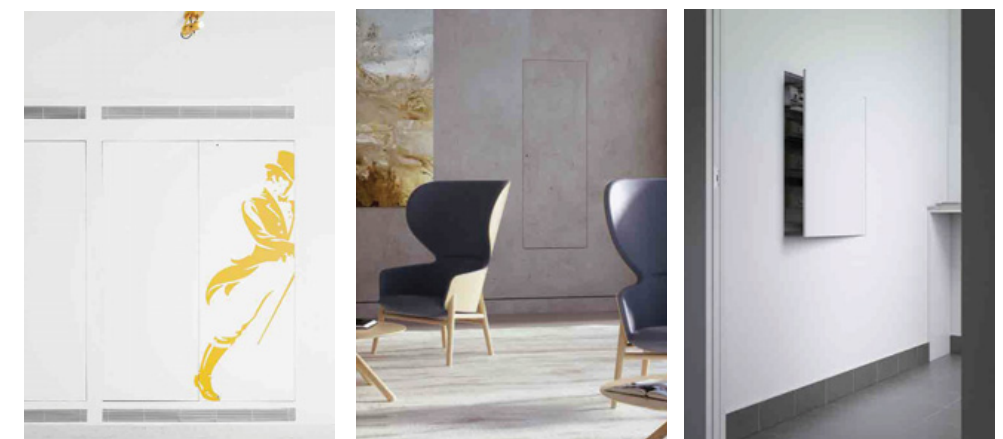


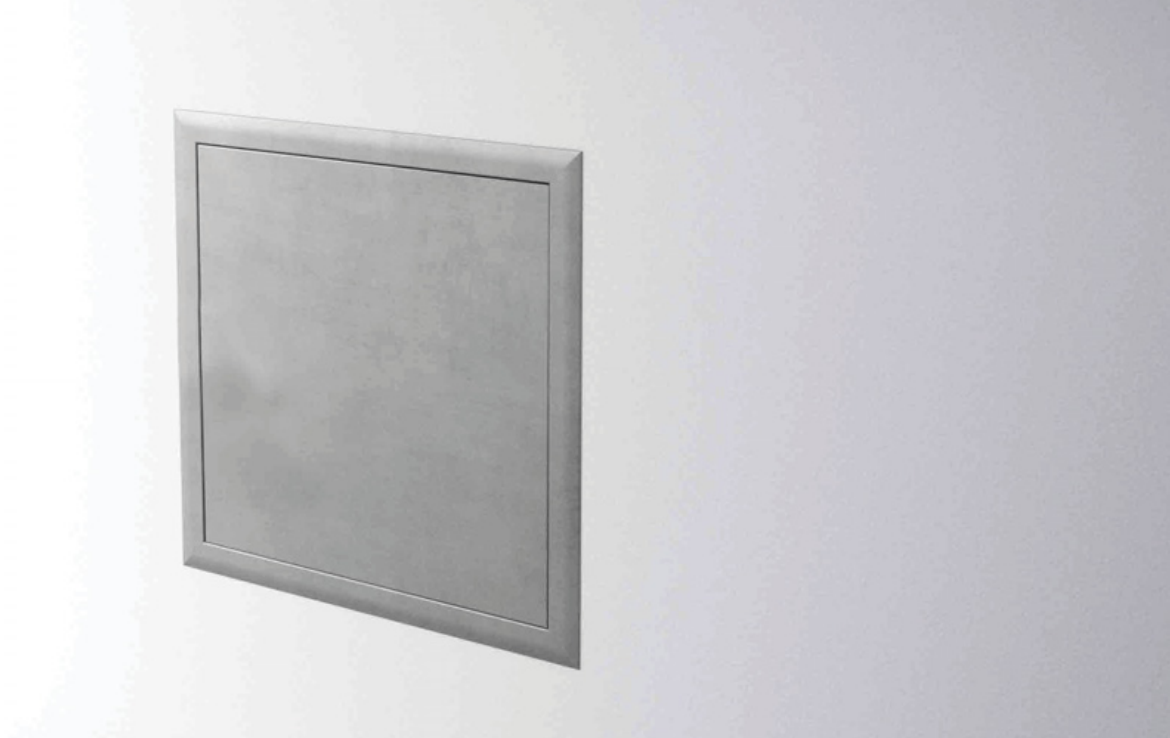
Completed Installation

The AccessDor forms a seamless frame around the access panels for an inconspicuous finish.

For further information or assistance in installation of AccessDor products, please visit:

<https://ezconcept.com.au/resources/installation-instructions/>





AccessDor

Access Panel for Ceilings & Walls

The AccessDor Access Panels are suitable for wall and ceiling applications in non-acoustic and non-fire rated applications. The door is already installed in the frame and there is no visible hinges. A variety combinations are available to suit the most common requirements.

The lightweight composition allows for its application in both ceiling and wall systems where its weight can be accommodated.

Specification Details

ACCESSDOR CONCEALED ACCESS JAMB			
Sizes Available	300mm x 300mm	450mm x 450mm	600mm x 600mm
Door Material	MDF	Metal	
Frame Options	<ul style="list-style-type: none"> 1 Set Bead 2 Flange 		
Lock Options	Budget Lock	Touch Latch	

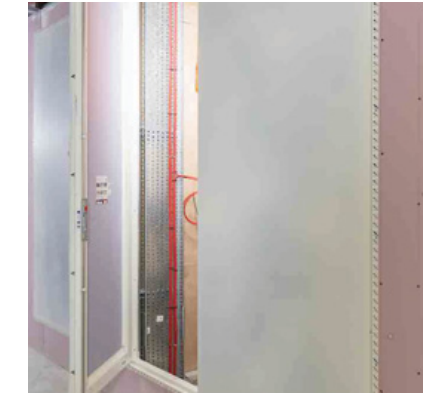
i No custom sizes available.

Locking Options



Easy Fit

The AccessDor is designed for simple fitting and fitting to save time on-site.



High Grade Material

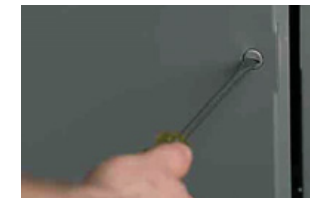
Built to last with high quality zintec steel composition.



Versatile

Bracing is not required for structural opening which allows for dual purpose installation in either wall or ceiling.

Locking Options



Budget Lock

Access panels available with budget lock. Does not require any special tools to open.



Touch Latch

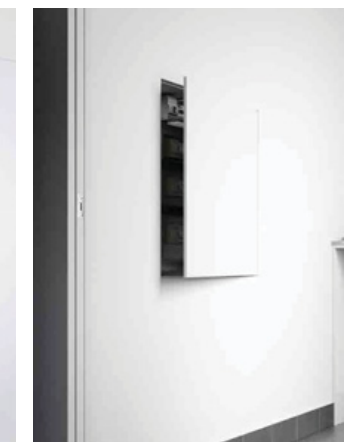
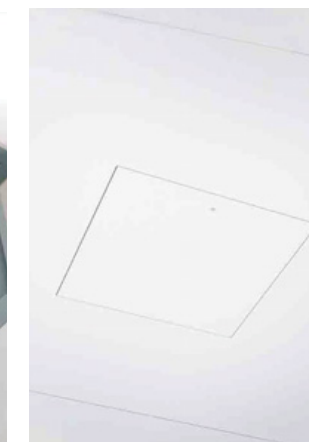
Access panels available with a Touch Latch, providing a clean finish. Simply press the door to open.

Completed Installation

AccessDor Standard Access Panels suit a wide range of requirements whilst completing a minimalist interior look.

For further information or assistance in installation of AccessDor products, please visit:

<https://ezconcept.com.au/resources/installation-instructions/>



Product

Finishing



EzyPelmet

Fast, Economical Recessed Window Pelmet Systems

Adding a new dimension to the internal perimeter of square-set interiors, EzyPelmet® is a two-piece steel pelmet system that makes window blinds disappear, cleverly conceals feature lighting and opens vast panoramas before your eyes. EzyPelmet offers a simple and discrete transition between the interior ceiling and external windows, curtain wall facades or the building structure.

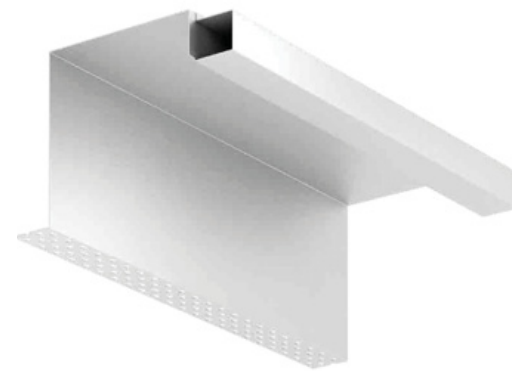
The two-piece, pre-finished steel construction of EzyPelmet makes installation simple, compared to traditional pelmet systems that require time consuming construction methods.

EzyPelmet Features

- Contemporary, clearview design.
- Completely concealed fixings.
- Install from below after ceiling.
- Flush-finish edge for square-set interiors.
- Does not require fixing from the top.
- Fastest method for creating window pelmets.
- Suitable for blinds, curtain, lights & more.

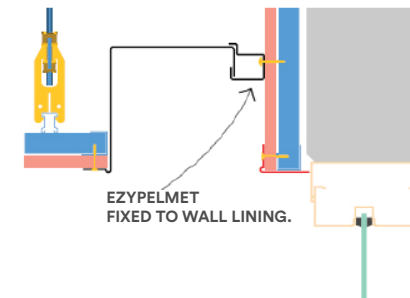
Specification Detail

PART NO.	DESCRIPTION	LENGTH	
EP150W-30	EzyPelmet 150mm x 0.8mm - White	3000mm	(Custom Sizes Available)
EPT40W-30	EzyPelmet Wall Track - White	3000mm	(Custom Sizes Available)
EP150Z-30	EzyPelmet 150mm x 0.8mm - Zinc	3000mm	(Custom Sizes Available)
EPT40Z-30	EzyPelmet Wall Track - Zinc	3000mm	(Custom Sizes Available)
EP15003W	EzyPelmet End Cap - White		
EP15003Z	EzyPelmet End Cap - Zinc		
EP15004	EzyPelmet Main Joiner		
EP15005	EzyPelmet Wall Track Joiner		

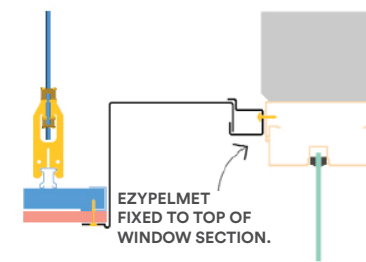


Installation Methods

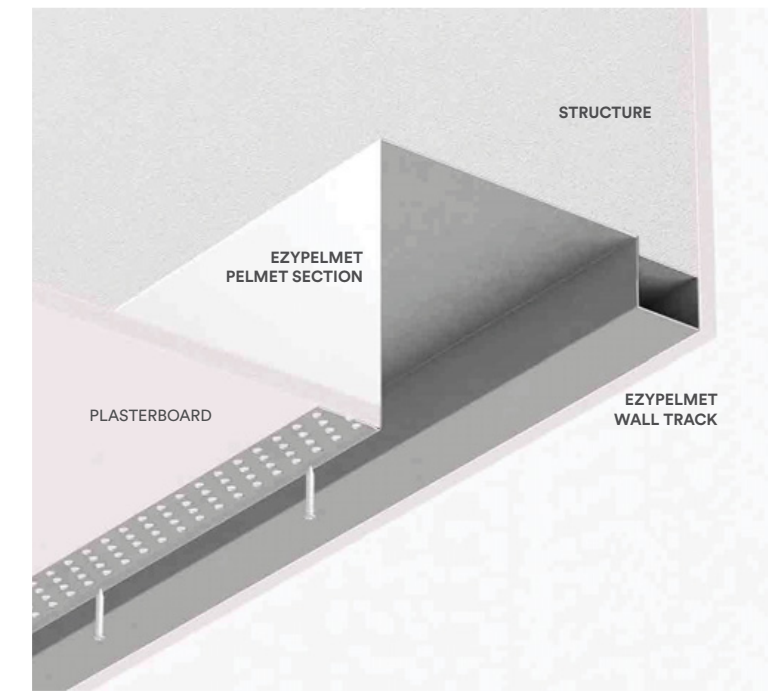
Wall Mount Installation Method



Clearview Installation Method

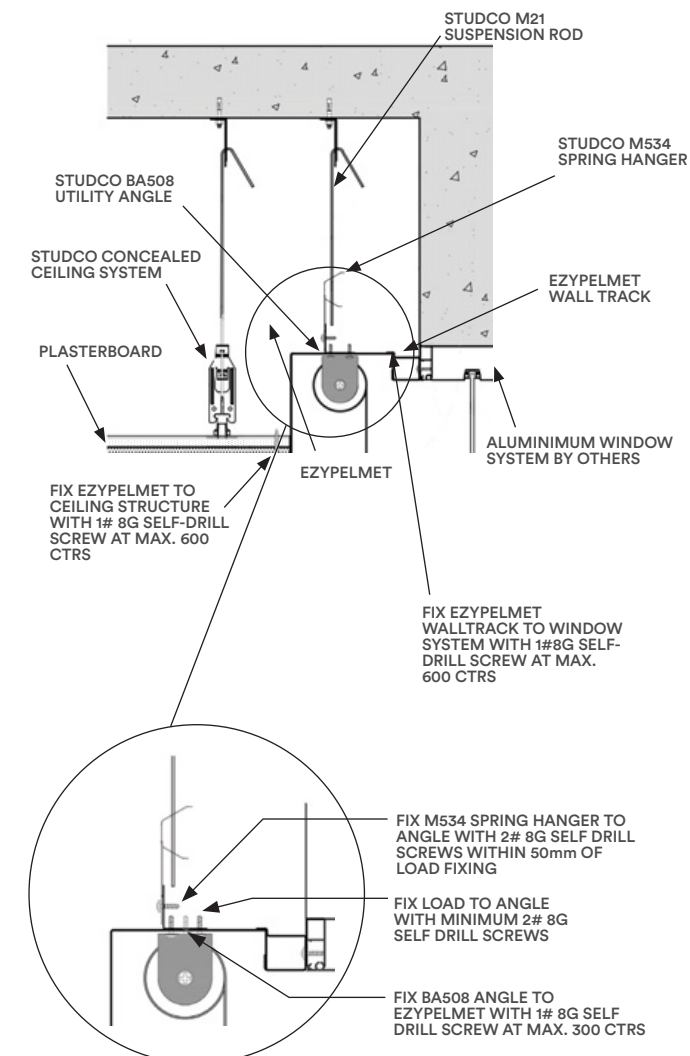


Installation Detail

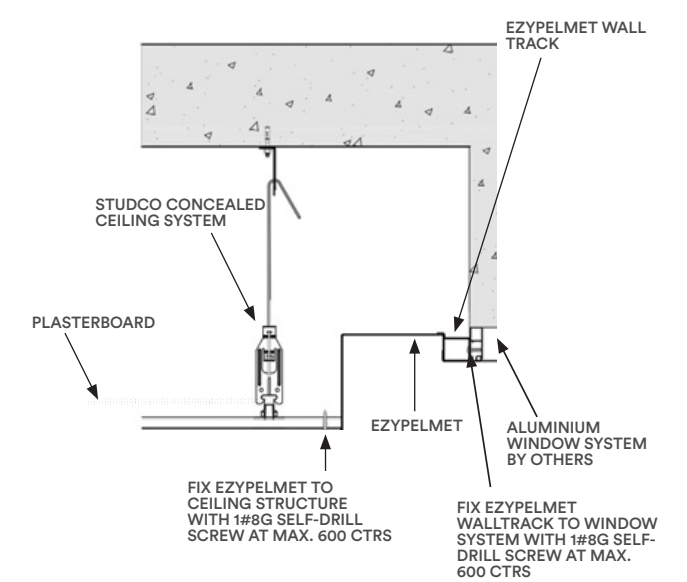


Fixing Detail

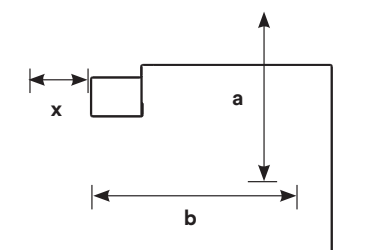
Load Bearing Fixing Detail



Standard Fixing Detail



Custom Pelmets



Custom size pelmets are available, please specify sizes when ordering.

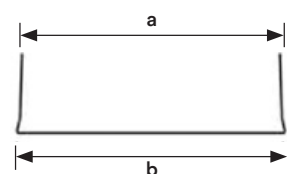


EzyCap

The Strong and Versatile Stop End

Capping of internal balustrades, window openings and internal partition wall ends are all made easy using EzyCap®. Using a slip-fit fixing method, EzyCap simply slides onto the end of the plasterboard and doesn't require preparation to paint in with the rest of the wall, significantly reducing time and effort during installation and presenting a crisp finished wall end.

As the strong and versatile alternative for stop ends, EzyCap is an economical way to cap wall ends and prevent damage from wear and tear in high traffic areas over time, keeping masterpiece designs intact for years to come. Available as Standard Cap or with Shadowline detail.



Specification Detail

Part No.	Section Width a	Section Width b	Stud/ Lining Thickness	Length mm
EC79	79mm	84mm	51 Stud + 13 + 13	2700 / 3000 / 3600#
EC86	86mm	91mm	64 Stud + 10 + 10	2700 / 3000 / 3600#
EC92	92mm	97mm	64 Stud + 13 + 13	2700 / 3000 / 3600#
EC98	98mm	103mm	76 Stud + 10 + 10	2700 / 3000 / 3600#
EC104	104mm	107mm	76 Stud + 13 + 13	2700 / 3000 / 3600#
EC112	112mm	116mm	92/90 Stud + 10 + 10	2700 / 3000 / 3600#
EC118	118mm	125mm	92/90 Stud + 13 + 13	2700 / 3000 / 3600#
EC127	127mm	132mm	92 Stud + 16 + 16	2700 / 3000 / 3600#

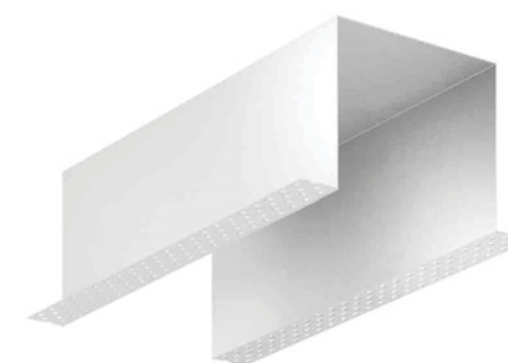
3600 length available on special request.

FastCap

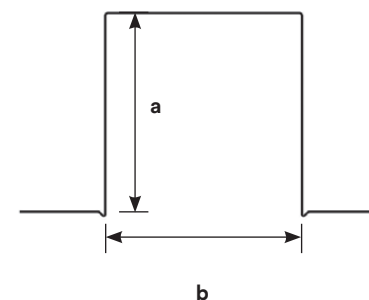
Custom Rebates and Capping Made Easy

Inspired ceiling designs command attention using Fastcap®; this innovative solution easily inserts between two sections of plasterboard to make light work of difficult rebates, plasterboard profiles and large oversized shadowlines.

Ideal for recessing feature lighting or hardware, custom finishing and capping of plasterboard is made easy with the FastCap range of custom made finishing sections.

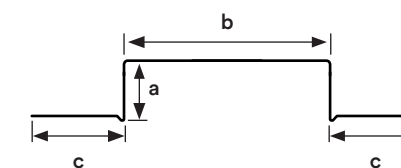


Custom FastCap



Custom size FastCap profile. Please specify sizes when ordering.

Shallow FastCap



Custom size shallow FastCap profile. Please specify sizes when ordering.

Custom Sizes available on request



EzyReveal

Premium Square Set Architrave Free Window Reveals

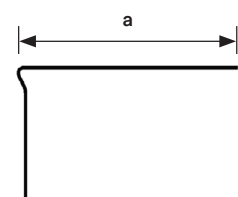
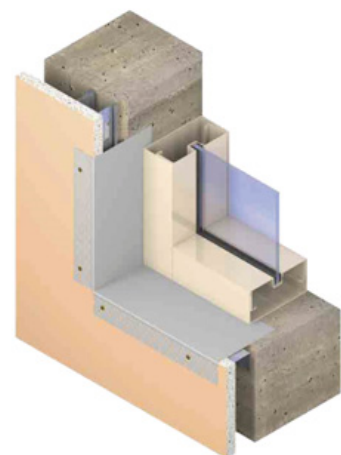
Eliminate architraves and create pure clean lines for square set interiors using EzyReveal®. Manufactured from cold rolled steel EzyReveal® provides a strong and secure reveal eliminating warping, twisting, cracking and damage from UV rays. Installation is simple. The strong and durable metal rollformed EZ Concept sections have pre-punched perforated sides for fixing and have a specially formulated surface finish for a seamless plasterboard connection.

EzyReveal Features

- Designed for quick and economical finishing of reveals from 20mm to 250mm.
- 20 width variants to suit various applications.
- Specially formulated surface finish for seamless connection with plasterboard.
- EzyReveal can be used with PVC finish trim to create custom size reveals.

Specification Detail

Part No.	EzyReveal	'a' Section Width	Length mm
RA20	20mm x 0.8 Reveal Angle	20mm	3000 & 3600
RA25	25mm x 0.8 Reveal Angle	25mm	3000 & 3600
RA30	30mm x 0.8 Reveal Angle	30mm	3000 & 3600
RA35	35mm x 0.8 Reveal Angle	35mm	3000 & 3600
RA40	40mm x 0.8 Reveal Angle	40mm	3000 & 3600
RA45	45mm x 0.8 Reveal Angle	45mm	3000 & 3600
RA50	50mm x 0.8 Reveal Angle	50mm	3000 & 3600
RA60	60mm x 0.8 Reveal Angle	60mm	3000 & 3600
RA65	65mm x 0.8 Reveal Angle	65mm	3000 & 3600
RA75	75mm x 0.8 Reveal Angle	75mm	3000 & 3600



Part No.	EzyReveal	'a' Section Width	Length mm
RA80	80mm x 0.8 Reveal Angle	80mm	3000 & 3600
RA90	90mm x 0.8 Reveal Angle	90mm	3000 & 3600
RA100	100mm x 0.8 Reveal Angle	100mm	3000 & 3600
RA110	110mm x 0.8 Reveal Angle	110mm	3000 & 3600
RA120	120mm x 0.8 Reveal Angle	120mm	3000 & 3600
RA135	135mm x 0.8 Reveal Angle	135mm	3000 & 3600
RA150	150mm x 0.8 Reveal Angle	150mm	3000 & 3600
RA180	180mm x 0.8 Reveal Angle	180mm	3000
RA200	200mm x 0.8 Reveal Angle	200mm	3000
RA250	250mm x 0.8 Reveal Angle	250mm	3000

Custom lengths and widths available on request

AluBase

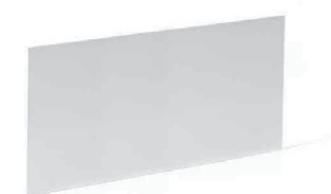
Anodised Aluminium Skirting Board Trim

AluBase® Skirting board is a modern alternative to traditional timber skirting boards. Available in flat skirting or shadowline skirting options, AluBase is equipped to suit modern interior finishes and commercial office environments.

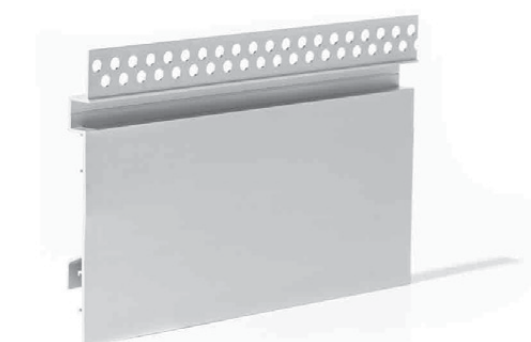
AluBase Shadowline Features

- One piece profile manufactured from high quality aluminium.
- Designed and approved for use with EzyJamb Classic Adjust (EZC) door jamb system only.
- Different profiles available to suit 10mm and 13mm plasterboard.
- Concealed fixing system.
- Crisp 12 x 12mm shadowline recess.
- Perforated bead for trowelled finish.
- Excellent resilience to wear and impact.
- Supplied in natural anodised finish.
- Perfect joins are easy with optional joiners.
- Eliminates cracking (common with MDF profiles and multiple sections, ie P50 with aluminium skirt)

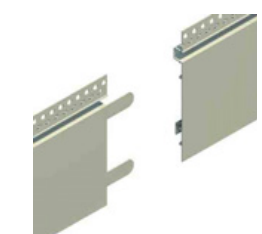
AluBase Options



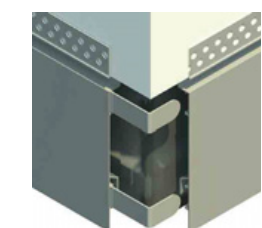
Flat Skirting
SK80 / SK100



Shadowline Skirting
SLS1090 / SLS1390



Straight Joiner



Corner Joiner



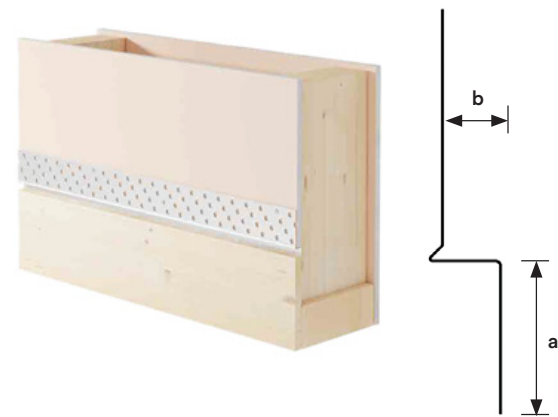
SLS Fixing Clip



Custom Shadowline

Clean Contemporary Lines

Modern interior design is characterised by clean lines and flush finishes. Shadowline sections provide simple yet effective details to interior spaces, such as ceiling perimeters, doorways and skirting boards, amongst other applications. To create a unique profile for your project EZ Concept presents Custom Shadowline; made to meet your specific size requirements for the perfect fit in your design.



Custom size profile. Please specify sizes when ordering.

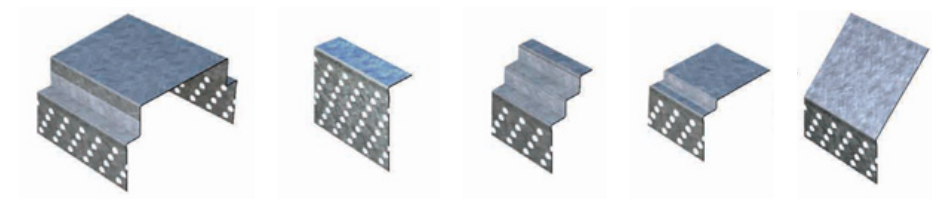
Shadowline Features

- Create the exact shadowline you need.
- Allow for variations in floor height or plaster thickness using a custom formed section.
- Heavy duty material to create a perfect straight and cleanline.

Custom Finishing Sections

Create Harmonious Finishes

The clean line and square set look can now be achieved throughout your complete project. Contact the team at Studco to assist you with creating a custom flush finish section to suit your needs. Here at Studco we can provide a whole finishing package that will enable you to deliver the flush finish look.



Custom Sizes available on request

Environmental Awareness

Our commitment to environmental responsibility Studco Greensmart is an industry-leading initiative based on two simple principles.

Sustainable building technology innovation; and Practical sustainability leadership.

We are great believers in environmentally responsible business practises and in genuine investment for developing products that save energy and protect the environment. Our commitment to environmental responsibility and corporate accountability is evident in our ongoing certification to the internationally recognised benchmark standard ISO14001:2004 Environmental Management System.

When you build with Studco products, you can earn Green Star points for Green Star certified buildings.

Earn Green Star points with EZ Concept.

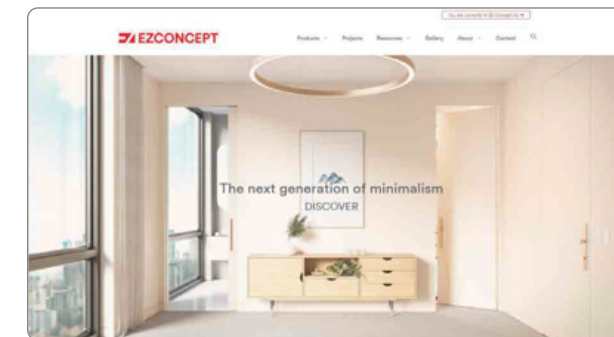
Architects and interior designers have a unique opportunity to use EzyJamb flush finish door jamb to achieve a modern square-set interior without compromising the Green Star credentials for the building.

- EZ Concept products are made up from up to 30% recycled content in steel material.
- It's shipped in 100% recyclable packaging.
- There is no wastage generated on site.
- Manufactured under ISO14001 EMS policy.
- Talk to us today about earning Green Star points for your EZ Concept range.

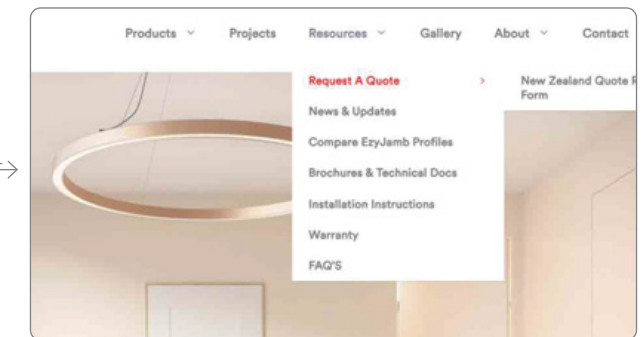


Ordering Guide

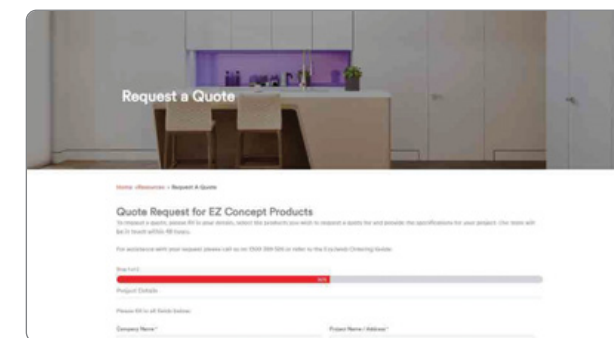
To request a quote or place an order with EZ Concept, visit ezconcept.com.au/quote-request/ or email sales@ezconcept.com.au for a request form. If you require assistance with placing an order, please call our team on 1300 399 526



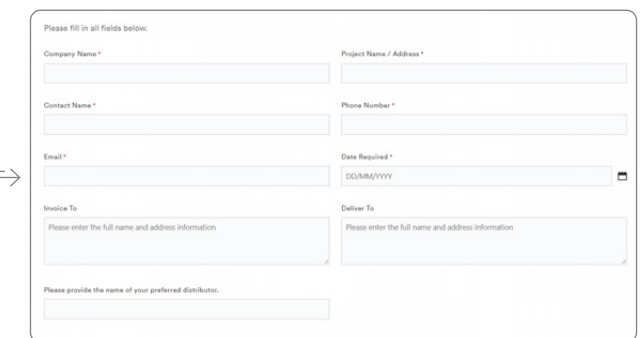
Website Main Page



Navigate Resources > Request a Quote through Menu Bar



Quote Request Page



Fill in Project Details

Delivery

EZ Concept are committed to providing excellent customer service to our clients to help you achieve flush finished interiors. We understand the need for tight delivery windows on site and are happy to work around site limitations to ensure your products arrive when required.

Our products are made to order and a typical lead time for delivery is fifteen (15) working days. However, longer lead times may apply in some cases, so please confirm exact lead time with Studco prior to placing your order.

An expedited service is available on request for urgent orders. An extra charge per product is applicable to expedited orders. Expedition of EzyJamb, CavKit and SlideSet orders is subject to operational requirements. Always confirm exact lead time with Studco prior to placing your order.



Installation

All EZ Concept products are designed for quick and simple installation on site. Installation instructions are available on our website at <https://ezconcept.com.au/resources/installation-instructions/> plus installation videos for EzyJamb Ezc frames and RocYork Concealed Hinges.

If you require further assistance with installation, please call the EZ Concept team for technical advice on 1300 399 526.



Notes

Lined area for notes with horizontal ruling lines.



For Sales and Technical Enquiries, please contact EZ Concept Australia.

T: 1300 399 526
W: www.ezconcept.com.au
E: sales@ezconcept.com.au

Head Office - VIC
130 - 140 Merrindale Drive,
Croydon South, VIC, 3136

New South Wales
Queensland
Western Australia

11 Avalli Road, Prestons NSW 2170
17 Telford Circuit, Yatala QLD 4207
11 Beete Street, Welshpool WA 6106

