

Elephant
Plasterboard

STRENGTH WITH STYLE



Elephant Plasterboard FIRE RATED SYSTEMS

March 2023

www.elephantplasterboard.co.nz

Elephant Plasterboard Fire Rated Systems Manual

These publications are continuously being updated and superseded. CURRENT VERSION DATED: **October 2023**

It is important to check to ensure you have the latest publication. Call Free Help line 0800 ELEPHANT (353742).

Liability for systems and performances that are not designed and installed in accordance with this publication will not be accepted by Elephant Plasterboard (NZ) Limited.

Copyright

All the material in this document including text, diagrams, figures, patterns, pictures, tables and cad drawings are protected by copyright.

Cad Drawings

Pictures and CAD drawings may be downloaded and used in consented plans for generic references only. Elephant Plasterboard (NZ) Limited takes no liability in CAD drawing details shown. It is up to the designer and or builder to provide specific details and or building construction methods in each case. All pictures and CAD details are generic only.

Elephant Plasterboard (NZ) Limited Trademarks:

Elephant Plasterboard®, Elephant Board®,

Elephant Standard Plasterboard®, Elephant Smartboard®, SmartRock Plasterboard®

Elephant FireSmart®, Elephant MultiSmart®, Elephant AquaSmart®, Elephant CeilingSmart®, Elephant SpanSmart®, Elephant SuperSmart®, Elephant BraceSmart®, Elephant NoiseSmart®, Elephant UltraSmart®, Elephant Standard-Plus®, Elephant ImpactSmart®

Elephant Plasterboard New Range of Smartboards

Introducing new 10mm Elephant FireSmart/10mm Elephant CeilingSmart®.

10mm Elephant FireSmart is a higher density board compared to 10mm Elephant Standard and provides enhance fire performance.

10mm Elephant CeilingSmart is especially developed to span ceiling battens at 600mm centers providing a light weight and cost effective ceiling lining solution compared to using 10mm Standard Plasterboard at 450mm centres or 13mm Standard Plasterboard at 60mm centre.

All past and future references and installations of 10mm Standard-Plus is interchangeable with 10mm Elephant FireSmart and vice versa.

Elephant Plasterboard Product & System Warranty

Elephant Plasterboard wall and ceiling linings are supported by Elephant Plasterboard's Quality Guarantee. This Warranty covers Elephant Plasterboard products and or systems for a minimum of 10 years from the date of the purchase. Elephant Plasterboard supplies products which are warranted to be free from defects. Any products found to be defective before or after installation will be replaced and/or repaired, provided installation has been in accordance with Elephant Plasterboard's technical literature.

Free Helpline

0800 ELEPHANT (353-742)

Email

info@elephantplasterboard.co.nz

Website

www.elephantplasterboard.co.nz

Telephone

(09) 818-7706

Elephant Plasterboard (NZ) Limited

14 Bancroft Crescent, Glendene, Auckland 0602

P.O. Box 21-436, Waitakere 0650

New Zealand



Contents

SYSTEM SELECTOR TABLE	4-22
INTRODUCTION	24-29
Limitations and Conditions of Use	
NZBC Building Code Compliance	
Fire Resistance Ratings (FRR)	
Internal lining Surface Finish Properties	
Fire Rated Walls	
Universal Walls	
Elephant QuickBrace System	
Fire Rated Floor/Ceiling Systems	
Universal Ceiling Systems	
Acoustic Sealant	
Load Bearing & Non-Load Bearing Studs	
Elephant Plasterboard Substitution options	
NOMENCLATURE	30
Elephant Specification Reference - Wall Systems	
Elephant Specification Reference - Floor/Ceiling Systems	
FIRE SYSTEMS	31-119
Timber Framed Walls	
Steel Framed Walls	
Double Steel Frame with MultiSmart Central Liner	
Universal Walls - Timber or Steel Frame	
Smoke Separation Walls	
Floor/Ceiling Systems	
Composite Joist Floor/Ceiling	
Steel Joist Floor/Ceiling	
Battened Floor/Ceiling Systems	
Direct Fix Clip Floor/Ceiling	
Suspended Grid Floor/Ceiling	
Universal Ceiling - Timber or Steel Frame	
Single Timber Frame Wall with Simultaneous Fire Exposure on Both Sides	
Elephant Smoke Separation - Timber or Steel	
Elephant Shaft Panel	
Shaft Wall	
Steel Column & Beam - Timber Strapped	
Steel Column & Beam - Steel Clip & Channel	
CONSTRUCTION DETAILS	120-148
Penetrations Two way FRR Systems	
T Junctions & Corner Junctions Two way FRR Systems	
Head Details with Negligible Deflection	
Deflection Head Details	
Wall & Floor/Ceiling Junctions	
Composite Floor Deflection Head Details	
Rigid Junctions	
Control Joints	
Ceiling Wall Junction Details	
Shaft Wall	
Boundary Wall Details	
PRODUCT RANGE	150



Fire Rated Walls

System Number	Lining Suffix	Fire Rating	Load Bearing Ability	Noise Control		Lining Requirements	Page
				STC	Rw		
Timber Frame Walls - Two Way FRR							
E2TL30	-S20	30/30/30	LB	37	36	1 x 10mm Elephant Standard on One side 1 x 10mm Elephant Standard on Other side	31
	-F20	30/30/30	LB	37	36	1 x 10mm Elephant FireSmart on One side 1 x 10mm Elephant FireSmart on Other side	31
	-S26	30/30/30	LB	37	36	1 x 13mm Elephant Standard on One side 1 x 13mm Elephant Standard on Other side	31
E4TL45	-S40	45/45/45	LB	42	41	2 x 10mm Elephant Standard on One side 2 x 10mm Elephant Standard on Other side	32
E4T60	-S40	--/60/60	NLB	42	41	2 x 10mm Elephant Standard on One side 2 x 10mm Elephant Standard to Other side	33
E2TL60	-M26	60/60/60	LB	38	37	1 x 13mm Elephant MultiSmart on One side 1 x 13mm Elephant MultiSmart on Other side	34
E4TL60	-F40	60/60/60	LB	42	41	2 x 10mm Elephant FireSmart on One side 2 x 10mm Elephant FireSmart on Other side	35
	-S46	60/60/60	LB	42	41	1 x 10mm Elephant Standard and 1 x 13mm Standard on One side 1 x 10mm Elephant Standard and 1 x 13mm Standard on Other side	35
	-MS40	60/60/60	LB	42	41	1 x 10mm Elephant Standard and 1 x 10mm MultiSmart on One side 1 x 10mm Elephant Standard and 1 x 10mm MultiSmart on Other side	35
	-S52	60/60/60	LB	43	42	2 x 13mm Elephant Standard on One side 2 x 13mm Elephant Standard on Other side	35
E2TL75	-F32	75/75/75	LB	38	37	1 x 16mm Elephant FireSmart on One side 1 x 16mm Elephant FireSmart on Other side	36
E4T90	-MS52	--/90/90	NLB	43	42	1 x 13mm Elephant MultiSmart and 1 x 13mm Standard on One side 1 x 13mm Elephant MultiSmart and 1 x 13mm Standard on Other side	37
	-M46	--/90/90	NLB	43	42	1 x 13mm Elephant MultiSmart and 1 x 10mm MultiSmart on One side 1 x 13mm Elephant MultiSmart and 1 x 10mm MultiSmart on Other side	37
E4TL90	-M52	90/90/90	LB	45	44	2 x 13mm Elephant MultiSmart on One side 2 x 13mm Elephant MultiSmart on Other side	38
E4T105	-M52	105/105/105	NLB	44	43	2 x 13mm Elephant MultiSmart on One side 2 x 13mm Elephant MultiSmart on Other side	39
E4T120	-FM58	---/120/120	NLB	46	45	1 x 16mm Elephant FireSmart and 1 x 13mm MultiSmart on One side 1 x 16mm Elephant FireSmart and 1 x 13mm MultiSmart on Other side	40
E6TL120	-M78	120/120/120	LB	44	43	3 x 13mm Elephant MultiSmart on One side 3 x 13mm Elephant MultiSmart on Other side	41
EBV1TL30	-F10	30/30/30	LB	46	45	1 x 10mm Elephant FireSmart on One side Brick Veneer on Other side	42
	-S13	30/30/30	LB	46	45	1 x 13mm Elephant Standard on One side Brick Veneer on Other side	42
EBV1TL60	-M13	60/60/60	LB	46	45	1 x 13mm Elephant MultiSmart on One side Brick Veneer on Other side	43
Steel Frame Walls - Two Way FRR							
E2SL15	-S26	15/15/15	LB	35	34	1 x 13mm Elephant Standard on One side 1 x 13mm Elephant Standard on Other side	45
E2S30	-S26	--/30/30	NLB	35	34	1 x 13mm Elephant Standard on One side 1 x 13mm Elephant Standard on Other side	46
	-M20	--/30/30	NLB	36	35	1 x 10mm Elephant MultiSmart on One side 1 x 10mm Elephant MultiSmart on Other side	46
E2SL30	-M26	30/30/30	LB	37	36	1 x 13mm Elephant MultiSmart on One side 1 x 13mm Elephant MultiSmart on Other side	47
	-F32	30/30/30	LB	37	36	1 x 16mm Elephant FireSmart on One side 1 x 16mm Elephant FireSmart on Other side	47
E4SL30	-F40	30/30/30	LB	43	42	2 x 10mm Elephant FireSmart on One side 2 x 10mm Elephant FireSmart on Other side	48
	-S52	30/30/30	LB	43	42	2 x 13mm Elephant Standard on One side 2 x 13mm Elephant Standard on Other side	48
E2S60	-M26	--/60/60	NLB	37	36	1 x 13mm Elephant MultiSmart on One side 1 x 13mm Elephant MultiSmart on Other side	49



Fire Rated Walls

System Number	Lining Suffix	Fire Rating	Load Bearing Ability	Noise Control		Lining Requirements	Page
				STC	Rw		
E4S60	-F40	--/60/60	NLB	45	44	2 x 10mm Elephant FireSmart on One side 2 x 10mm Elephant FireSmart on Other side	50
	-S52	--/60/60	NLB	45	44	2 x 13mm Elephant Standard on One side 2 x 13mm Elephant Standard on Other side	50
	-M40	--/60/60	NLB	45	44	2 x 10mm Elephant MultiSmart on One side 2 x 10mm Elephant MultiSmart on Other side	50
E4SL60	-M52	60/60/60	LB	46	45	2 x 13mm Elephant MultiSmart on One side 2 x 13mm Elephant MultiSmart on Other side	51
E2S75	-F32	--/75/75	NLB	38	37	1 x 16mm Elephant FireSmart on One side 1 x 16mm Elephant FireSmart on Other side	52
E4S90	-M46	--/90/90	NLB	45	44	1 x 10mm Elephant MultiSmart and 1 x 13mm MultiSmart on One side 1 x 10mm Elephant MultiSmart and 1 x 13mm MultiSmart on Other side	53
E4SL90	-F64	90/90/90	LB	47	46	2 x 16mm Elephant FireSmart on One side 2 x 16mm Elephant FireSmart on Other side	54
E4S120	-FM58	---/120/120	NLB	46	45	1 x 16mm Elephant FireSmart and 1 x 13mm MultiSmart on One side 1 x 16mm Elephant FireSmart and 1 x 13mm MultiSmart on Other side	55
Double Steel Frame Wall with MultiSmart Central Liner - Two Way FRR							
E2CSD60	-M26	--/60/60	NLB	44	43	1 x 13mm Elephant MultiSmart on One side 1 x 13mm Elephant MultiSmart on Other side	56

Fire Rated Universal Walls

System Number	Lining Suffix	Fire Rating	Load Bearing Ability	Noise Control		Lining Requirements	Page
				STC	Rw		
Universal Timber or Steel Frame Wall - One Way FRR							
E1UW15	-S13	15/15/15	LB	-	-	1 x 13mm Elephant Standard on One side	59
E1UW30	-F16a	30/30/30	LB	-	-	1 x 16mm Elephant FireSmart on One side	60
E2UW30	-F20	30/30/30	LB	-	-	2 x 10mm Elephant FireSmart on One side	61
E2UW45	-M26	45/45/45	LB	-	-	2 x 13mm Elephant MultiSmart on One side	62
E2UW60	-M26a	60/60/60	LB	-	-	2 x 13mm Elephant MultiSmart on One side	63
	-FM29	60/60/60	LB	-	-	1 x 16mm Elephant FireSmart and 1 x 13mm Elephant MultiSmart on One side	63
E3UW90	-M39a	90/90/90	LB	-	-	3 x 13mm Elephant MultiSmart on One side	64
	-FM42	90/90/90	LB	-	-	1 x 16mm Elephant FireSmart and 2 x 13mm Elephant MultiSmart on One side	64
E3UW120	-MF45a	120/120/120	LB	-	-	1 x 13mm Elephant MultiSmart and 2 x 16mm Elephant FireSmart on One side	65

Fire Rated Walls with simultaneous fire exposure on both sides

System Number	Lining Suffix	Fire Rating	Load Bearing Ability	Noise Control		Lining Requirements	Page
				STC	Rw		
Single Timber Frame Wall with Simultaneous Fire Exposure on Both sides - Two Way FRR							
E2TL30S	-M26	30/-/-	LB	38	37	1 x 13mm Elephant MultiSmart on One side 1 x 13mm Elephant MultiSmart on Other side	66
E4TL60S	-M52	60/-/-	LB	46	45	2 x 13mm Elephant MultiSmart on One side 2 x 13mm Elephant MultiSmart on Other side	67



Smoke Separation Walls

System Number	Lining Suffix	Fire Rating	Load Bearing Ability	Noise Control		Lining Requirements	Page
				STC	Rw		
Smoke Separation - Timber or Steel Frame Wall - Two Way FRR							
E2sm10	-	10/10/10	LB	-	-	1 x Minimum 10mm Elephant Plasterboard on One side 1 x Minimum 10mm Elephant Plasterboard on Other side	69

Fire Rated Floor/Ceilings

System Number	Lining Suffix	Fire Rating	Load Bearing Ability	Noise Control			Lining Requirements	Page
				STC	Rw	IIC		
Floor/Ceiling								
E1FC15	-S13	15/15/15	LB	38	37	31	1 x 13mm Elephant Standard	71
E1FC30	-M13	30/30/30	LB	39	39	32	1 x 13mm Elephant MultiSmart	72
E2FC30	-S26	30/30/30	LB	39	38	32	2 x 13mm Elephant Standard	73
E1FC45	-M13	45/45/45	LB	39	39	32	1 x 13mm Elephant MultiSmart	74
E1FC60	-F16	60/60/60	LB	39	38	32	1 x 16mm Elephant FireSmart	76
E2FC60	-MS26	60/60/60	LB	40	39	33	1 x 13mm Elephant MultiSmart and 1 x 13mm Elephant Standard	78
E2FC90	-FM29	90/90/90	LB	41	40	34	1 x 16mm Elephant FireSmart and 1 x 13mm Elephant MultiSmart	79
E3FC120	-M39	120/120/120	LB	43	42	35	3 x 13mm Elephant MultiSmart	80
Composite Joist Floor/Ceiling								
E1CJ30	-M13	30/30/30	LB	39	38	32	1 x 13mm Elephant MultiSmart	81
E2CJ30	-S26	30/30/30	LB	39	38	32	2 x 13mm Elephant Standard	82
E1CJ45	-M13	45/45/45	LB	39	38	32	1 x 13mm Elephant MultiSmart	83
E1CJ60	-F16	60/60/60	LB	39	38	32	1 x 16mm Elephant FireSmart	84
E2CJ60	-MS26	60/60/60	LB	40	39	33	1 x 13mm Elephant MultiSmart and 1 x 13mm Elephant Standard	85
Steel Joist Floor/Ceiling								
E1SJ30	-M13	30/30/30	LB	35	34	31	1 x 13mm Elephant MultiSmart	86
E2SJ60	-M26	60/60/60	LB	39	38	32	2 x 13mm Elephant MultiSmart	87
Battened Floor/Ceiling								
E1BC30	-M13	30/30/30	LB	35	34	31	1 x 13mm Elephant MultiSmart	88
E1BC60	-F16	60/60/60	LB	39	38	32	1 x 16mm Elephant FireSmart	90
Direct Fix Clip Floor/Ceiling								
E1DF45	-M13	45/45/45	LB	49	48	42	1 x 13mm Elephant MultiSmart	92
E1DF60	-F16	60/60/60	LB	49	48	43	1 x 16mm Elephant FireSmart	93
E2DF60	-MS26	60/60/60	LB	49	48	43	1 x 13mm Elephant MultiSmart and 1 x 13mm Elephant Standard	94
E2DF75	-M26	75/75/75	LB	52	51	43	2 x 13mm Elephant MultiSmart	95



Fire Rated Floor/Ceilings

System Number	Lining Suffix	Fire Rating	Load Bearing Ability	Noise Control			Lining Requirements	Page
				STC	Rw	IIC		
E2DF90	-F32	90/90/90	NLB	54	53	43	2 x 16mm Elephant FireSmart	96
E3DF120	-M39	120/120/120	LB	54	53	43	3 x 13mm Elephant MultiSmart	97
Suspended Grid Floor/Ceiling								
E2SC30	-S26	30/30/30	LB	50	49	42	2 x 13mm Elephant Standard	98
	-M20	30/30/30	LB	50	49	42	2 x 10mm Elephant MultiSmart	98
E1SC45	-M13	45/45/45	LB	48	47	42	1 x 13mm Elephant MultiSmart	99
E1SC60	-F16	60/60/60	LB	48	47	43	1 x 16mm Elephant FireSmart	100
E1XC60	-F16	60/60/60	LB	48	47	43	1 x 16mm Elephant FireSmart	101
E2SC60	-MS26	60/60/60	LB	48	47	42	1 x 13mm Elephant MultiSmart and 1 x 13mm Elephant Standard	102
E2SC75	-M26	75/75/75	LB	51	50	42	2 x 13mm Elephant MultiSmart	103
E2SC90	-F32	90/90/90	LB	53	52	43	2 x 16mm Elephant FireSmart	104
E2XC90	-FM29	90/90/90	LB	48	47	43	1 x 16mm Elephant FireSmart and 1 x 13mm Elephant MultiSmart	105

Fire Rated Universal Ceilings

System Number	Lining Suffix	Fire Rating	Load Bearing Ability	Noise Control			Lining Requirements	Page
				STC	Rw	IIC		
Universal Ceiling - Timber or Steel Frame								
E1UC15	-M13	15/15/15	LB	-	-	-	1 x 13mm Elephant MultiSmart	107
E1UC30	-F16a	30/30/30	LB	-	-	-	1 x 16mm Elephant FireSmart	108
E2UC60	-M26a	60/60/60	LB	-	-	-	2 x 13mm Elephant MultiSmart	109
	-FM29	60/60/60	LB	-	-	-	1 x 16mm Elephant FireSmart and 1 x 13mm Elephant MultiSmart	109
E3UC90	-M39a	90/90/90	LB	-	-	-	3 x 13mm Elephant MultiSmart	110
	-FM42	90/90/90	LB	-	-	-	1 x 16mm Elephant FireSmart and 2 x 13mm Elephant MultiSmart	110



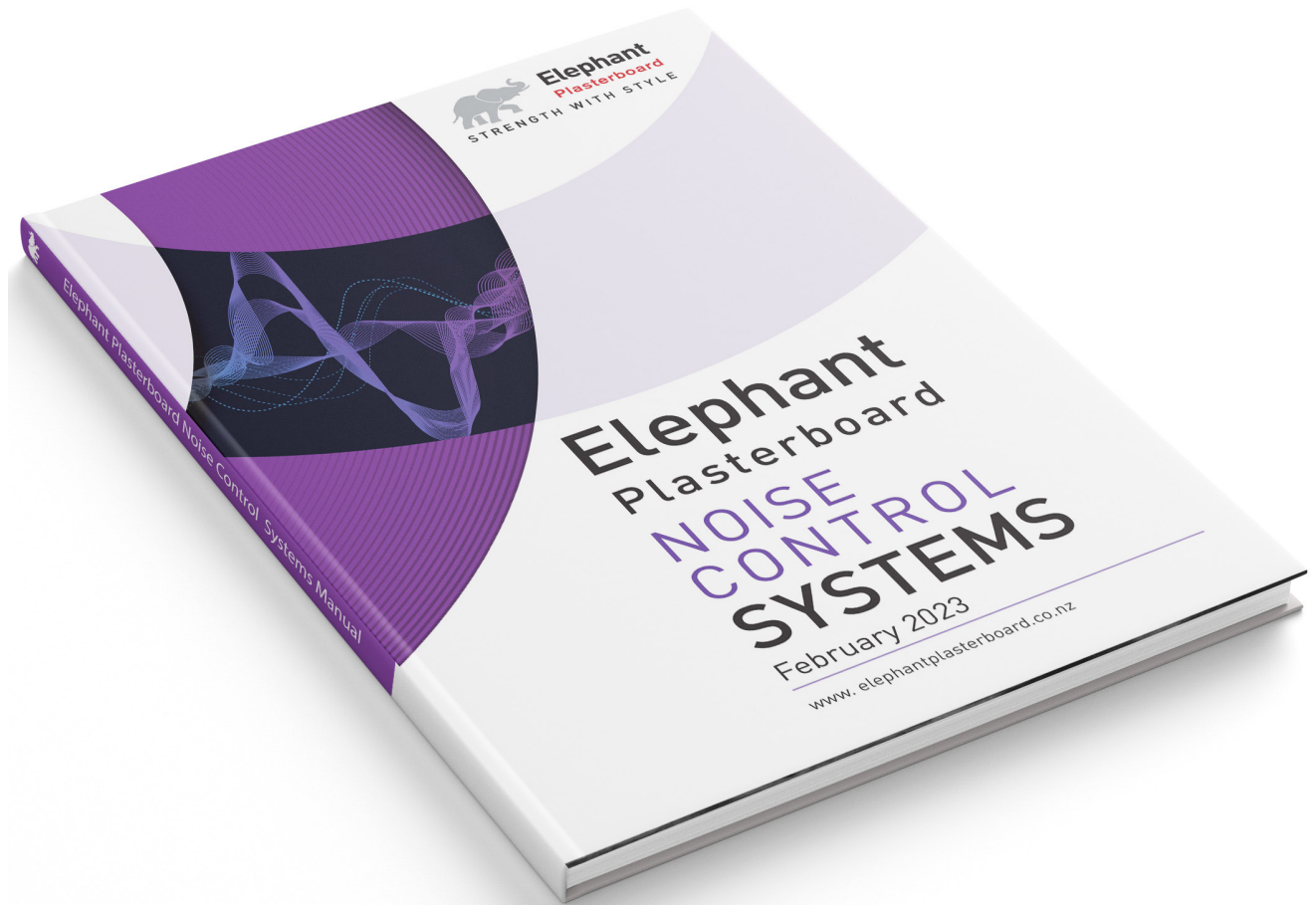
Fire Rated Speciality Systems

System Number	Lining Suffix	Fire Rating	Load Bearing Ability	Noise Control				Lining Requirements	Page
				STC					
				64mm Stud		102mm Stud			
				No Fill	Fill	No Fill	Fill		
Shaft Wall - Fire Rated from Shaft Side only									
E1SWS60	-M13	-/60/60	NLB	39	45	42	46	1 x 13mm Elephant MultiSmart	114
E2SWS90	-M26	-/90/90	NLB	43	49	46	50	2 x 13mm Elephant MultiSmart	114
E2SWS120	-FM29	-/120/120	NLB	44	50	46	51	1 x 16mm Elephant FireSmart and 1 x 13mm Elephant MultiSmart	114
Shaft Wall - Fire Rated from Either Side									
E1SWE30	-M13	-/30/30	NLB	39	45	42	46	1 x 13mm Elephant MultiSmart	114
E2SWE60	-M26	-/60/60	NLB	43	49	46	50	2 x 13mm Elephant MultiSmart	114
E2SWE90	-FM29	-/90/90	NLB	44	50	46	51	1 x 16mm Elephant FireSmart and 1 x 13mm Elephant MultiSmart	114
E3SWE120	-FM42	-/120/120	NLB	46	51	48	52	1 x 16mm Elephant FireSmart and 2 x 13mm Elephant MultiSmart	114
Elephant Shaft Panel									
Elephant Shaft Panel									112

Fire Rated Columns & Beams

System Number	Lining Suffix	Fire Rating	Load Bearing Ability	Noise Control		Lining Requirements	Page
				STC	Rw		
Steel Column & Beam - Timber Strapped							
E1CBT15	-S13	15/-/-	LB	-	-	1 x 13mm Elephant Standard	116
E1CBT30	-F16	30/-/-	LB	-	-	1 x 16mm Elephant FireSmart	116
E2CBT30	-F20	30/-/-	LB	-	-	2 x 10mm Elephant FireSmart	116
E2CBT60	-M26	60/-/-	LB	-	-	2 x 13mm Elephant MultiSmart	116
E2CBT90	-F32	90/-/-	LB	-	-	2 x 16mm Elephant FireSmart	116
E3CBT120	-MF45	120/-/-	LB	-	-	1 x 13mm Elephant MultiSmart and 2 x 16mm Elephant FireSmart	116
Steel Column & Beam - Steel Clip and Channel							
E1CBS15	-S13	15/-/-	LB	-	-	1 x 13mm Elephant Standard	118
E1CBS30	-F16	30/-/-	LB	-	-	1 x 16mm Elephant FireSmart	118
E2CBS30	-F20	30/-/-	LB	-	-	2 x 10mm Elephant FireSmart	118
E2CBS60	-M26	60/-/-	LB	-	-	2 x 13mm Elephant MultiSmart	118
E2CBS90	-F32	90/-/-	LB	-	-	2 x 16mm Elephant FireSmart	118
E3CBS120	-MF45	120/-/-	LB	-	-	1 x 13mm Elephant MultiSmart and 2 x 16mm Elephant FireSmart	118





For Noise Control Fire Rated system options, go to

Elephant Plasterboard Noise Control Systems Manual



Full Intertenancy - Fire Rated Walls

System Number	Lining Suffix	Fire Rating	Load Bearing Ability	Noise Control		Lining Requirements	Page
				STC	Rw		
Timber Double Frame Walls - Load Bearing							
E3TDLA30	-F30	30/30/30	LB	55	54	1 x 10mm Elephant FireSmart on One side 2 x 10mm Elephant FireSmart on Other side	Please refer to the Elephant Noise Control Systems Manual for these System Specification sheets
	-S39	30/30/30	LB	57	56	1 x 13mm Elephant Standard on One side 2 x 13mm Elephant Standard on Other side	
	-M30	30/30/30	LB	58	57	1 x 10mm Elephant MultiSmart on One side 2 x 10mm Elephant MultiSmart on Other side	
E4TDLA45	-S40	45/45/45	LB	58	57	2 x 10mm Elephant Standard on One side 2 x 10mm Elephant Standard on Other side	
E2TDLA60	-M26	60/60/60	LB	55	54	1 x 13mm Elephant MultiSmart on One Side 1 x 13mm Elephant MultiSmart on Other Side	
E3TDLA60	-MS39	60/60/60	LB	58	57	1 x 13mm Elephant MultiSmart on One side 2 x 13mm Elephant Standard on Other side	
	-M33	60/60/60	LB	59	58	1 x 13mm Elephant MultiSmart on One side 2 x 10mm Elephant MultiSmart on Other side	
	-M39	60/60/60	LB	61	60	1 x 13mm Elephant MultiSmart on One side 2 x 13mm Elephant MultiSmart on Other side	
E4TDLA60	-S46	60/60/60	LB	60	59	1 x 10mm Elephant Standard and 1 x 13mm Standard on One side 1 x 10mm Elephant Standard and 1 x 13mm Standard on Other side	
	-F40	60/60/60	LB	60	59	2 x 10mm Elephant FireSmart on One side 2 x 10mm Elephant FireSmart on Other side	
	-S52	60/60/60	LB	62	61	2 x 13mm Elephant Standard on One side 2 x 13mm Elephant Standard on Other side	
	-M40	60/60/60	LB	62	61	2 x 10mm Elephant MultiSmart on One side 2 x 10mm Elephant MultiSmart on Other side	
E2TDLA75	-F32	75/75/75	LB	56	55	1 x 16mm Elephant FireSmart on One side 1 x 16mm Elephant FireSmart on Other side	
E4TDLA90	-M52	90/90/90	LB	67	66	2 x 13mm Elephant MultiSmart on One side 2 x 13mm Elephant MultiSmart on Other side	
Timber Single Frame Walls with Resilient Mount - Load Bearing							
E3TMLA30	-S39	30/30/30	LB	55	54	Framing Side: 1 x 13mm Elephant Standard Mount Side: 2 x 13mm Elephant Standard	
	-M30	30/30/30	LB	56	55	Framing Side: 1 x 10mm Elephant MultiSmart Mount Side: 2 x 10mm Elephant MultiSmart	
E4TMLA30	-F40	30/30/30	LB	58	57	Framing Side: 2 x 10mm Elephant FireSmart Mount Side: 2 x 10mm Elephant FireSmart	
E4TMLA45	-S52	45/45/45	LB	61	60	Framing Side: 2 x 13mm Elephant Standard Mount Side: 2 x 13mm Elephant Standard	
E3TMLA60	-M39	60/60/60	LB	58	57	Framing Side: 1 x 13mm Elephant MultiSmart Mount Side: 2 x 13mm Elephant MultiSmart	
E4TMLA60	-M40	60/60/60	LB	62	61	Framing Side: 2 x 10mm Elephant MultiSmart Mount Side: 2 x 10mm Elephant MultiSmart	
E4TMLA90	-M52	90/90/90	LB	63	62	Framing Side: 2 x 13mm Elephant MultiSmart Mount Side: 2 x 13mm Elephant MultiSmart	
Timber Single Frame Walls with Resilient Rail - Load Bearing							
E4TRLA45	-S52	45/45/45	LB	56	55	Framing Side: 2 x 13mm Elephant Standard Rail Side: 2 x 13mm Elephant Standard	
E4TRLA60	-M40	60/60/60	LB	55	54	Framing Side: 2 x 10mm Elephant MultiSmart Rail Side: 2 x 10mm Elephant MultiSmart	
E4TRLA90	-M52	90/90/90	LB	57	56	Framing Side: 2 x 13mm Elephant MultiSmart Rail Side: 2 x 13mm Elephant MultiSmart	



Full Intertency - Fire Rated Walls

System Number	Lining Suffix	Fire Rating	Load Bearing Ability	Noise Control		Lining Requirements	Page	
				STC	Rw			
Steel Double Frame Walls - Non Load Bearing								
E3SDA30	-S39	---/30/30	NLB	55	54	1 x 13mm Elephant Standard on One side 2 x 13mm Elephant Standard on Other side	Please refer to the Elephant Noise Control Systems Manual for these System Specification sheets	
	-M30	---/30/30	NLB	56	55	1 x 10mm Elephant MultiSmart on One side 2 x 10mm Elephant MultiSmart on Other side		
E4SDA45	-F40	---/45/45	NLB	58	57	2 x 10mm Elephant FireSmart on One Side 2 x 10mm Elephant FireSmart on Other Side		
E2SDA60	-M26	---/60/60	NLB	55	54	1 x 13mm Elephant MultiSmart on One side 1 x 13mm Elephant MultiSmart on Other side		
E3SDA60	-MS39	---/60/60	NLB	57	56	1 x 13mm Elephant MultiSmart on One side 2 x 13mm Elephant Standard on Other side		
	-M33	---/60/60	NLB	58	57	1 x 13mm Elephant MultiSmart on One side 2 x 10mm Elephant MultiSmart on Other side		
	-M39	---/60/60	NLB	61	60	1 x 13mm Elephant MultiSmart on One side 2 x 13mm Elephant MultiSmart on Other side		
E4SDA60	-S52	---/60/60	NLB	61	60	2 x 13mm Elephant Standard on One side 2 x 13mm Elephant Standard on Other side		
	-M40	---/60/60	NLB	61	60	2 x 10mm Elephant MultiSmart on One side 2 x 10mm Elephant MultiSmart on Other side		
E2SDA75	-F32	---/75/75	NLB	56	55	1 x 16mm Elephant FireSmart on One side 1 x 16mm Elephant FireSmart on Other side		
E4SDA75	-MS52	---/75/75	NLB	63	62	1 x 13mm Standard and 1x13mm MultiSmart on One side 1 x 13mm Standard and 1x13mm MultiSmart on Other side		
E4SDA90	-M46	---/90/90	NLB	63	62	1 x 10mm MultiSmart and 1 x 13mm MultiSmart on One side 1 x 10mm MultiSmart and 1 x 13mm MultiSmart on Other side		
E4SDA105	-M52	---/105/105	NLB	65	64	2 x 13mm Elephant MultiSmart on One side 2 x 13mm Elephant MultiSmart on Other side		
Steel Double Frame Walls - Load Bearing								
E2SDLA30	-M26	30/30/30	LB	55	54	1 x 13mm Elephant MultiSmart on One side 1 x 13mm Elephant MultiSmart on Other side		
	-F32	30/30/30	LB	56	55	1 x 16mm Elephant FireSmart on One side 1 x 16mm Elephant FireSmart on Other side		
E3SDLA30	-MF33	30/30/30	LB	58	57	1 x 13mm Elephant MultiSmart on One side 2 x 10mm Elephant FireSmart on Other side		
	-M39	30/30/30	LB	61	60	1 x 13mm Elephant MultiSmart on One side 2 x 13mm Elephant MultiSmart on Other side		
E4SDLA30	-F40	30/30/30	LB	59	58	2 x 10mm Elephant FireSmart on One side 2 x 10mm Elephant FireSmart on Other side		
E4SDLA45	-S52	45/45/45	LB	61	60	2 x 13mm Elephant Standard on One side 2 x 13mm Elephant Standard on Other side		
	-M40	45/45/45	LB	61	60	2 x 10mm Elephant MultiSmart on One side 2 x 10mm Elephant MultiSmart on Other side		
E4SDLA60	-M52	60/60/60	LB	65	64	2 x 13mm Elephant MultiSmart on One side 2 x 13mm Elephant MultiSmart on Other side		
E4SDLA90	-F64	90/90/90	LB	66	65	2 x 16mm Elephant FireSmart on One side 2 x 16mm Elephant FireSmart on Other side		



Full Intertenancy - Fire Rated Walls

System Number	Lining Suffix	Fire Rating	Load Bearing Ability	Noise Control		Lining Requirements	Page	
				STC	Rw			
Steel Double Frame Walls with MultiSmart Central Liner - Non Load Bearing								
E4CSDA60	-MS46	---/60/60	NLB	56	56	1 x 13mm Elephant MultiSmart and 1 x 10mm Standard on One side 1 x 13mm Elephant MultiSmart and 1 x 10mm Standard on Other side	Please refer to the Elephant Noise Control Systems Manual for these System Specification sheets	
	-MS52	---/60/60	NLB	57	58	1x 13 Elephant MultiSmart And 1 x 13 Elephant Standard on One side 1x 13 Elephant MultiSmart And 1 x 13 Elephant Standard on Other side		
Steel Frame Walls with Resilient Mount - Non Load Bearing								
E3SMA30	-S39	---/30/30	NLB	55	54	Frame Side: 1 x 13mm Elephant Standard Mount Side: 2 x 13mm Elephant Standard		
	-M30	---/30/30	NLB	55	54	Frame Side: 1 x 10mm Elephant MultiSmart Mount Side: 2 x 10mm Elephant MultiSmart		
E4SMA30	-F40	---/30/30	NLB	56	55	Frame Side: 2 x 10mm Elephant FireSmart Mount Side: 2 x 10mm Elephant FireSmart		
E3SMA60	-MS39	---/60/60	NLB	56	55	Frame Side: 1 x 13mm Elephant MultiSmart Mount Side: 2 x 13mm Elephant Standard		
	-M39	---/60/60	NLB	57	56	Frame Side: 1 x 13mm Elephant MultiSmart Mount Side: 2 x 13mm Elephant MultiSmart		
E4SMA60	-S52	---/60/60	NLB	59	58	Frame Side: 2 x 13mm Elephant Standard Mount Side: 2 x 13mm Elephant Standard		
	-M40	---/60/60	NLB	59	58	Frame Side: 2 x 10mm Elephant MultiSmart Mount Side: 2 x 10mm Elephant MultiSmart		
E4SMA90	-M46	---/90/90	NLB	60	59	Frame Side: 1 x 13mm Elephant MultiSmart and 1 x 10mm MultiSmart Mount Side: 1 x 13mm Elephant MultiSmart and 1 x 10mm MultiSmart		
E4SMA105	-M52	---/105/105	NLB	62	61	Frame Side: 2 x 13mm Elephant MultiSmart Mount Side: 2 x 13mm Elephant MultiSmart		
Steel Frame Walls with Resilient Rail - Non Load Bearing								
E4SRA60	-S52	---/60/60	NLB	56	55	Frame Side: 2 x 13mm Elephant Standard Rail Side: 2 x 13mm Elephant Standard		
	-M40	---/60/60	NLB	56	55	Frame Side: 2 x 10mm Elephant MultiSmart Rail Side: 2 x 10mm Elephant MultiSmart		
E4SRA90	-M46	---/90/90	NLB	57	56	Frame Side: 1 x 13mm Elephant MultiSmart and 1 x 10mm MultiSmart Rail Side: 1 x 13mm Elephant MultiSmart and 1 x 10mm MultiSmart		
E4SRA105	-M52	---/105/105	NLB	59	58	Frame Side: 2 x 13mm Elephant MultiSmart Rail Side: 2 x 13mm Elephant MultiSmart		
Quiet Steel Frame Walls - Non Load Bearing								
E4SQA30	-F40	---/30/30	NLB	55	54	2 x 10mm Elephant FireSmart on One side 2 x 10mm Elephant FireSmart on Other side		
E4SQA45	-S46	---/45/45	NLB	56	55	1x 10mm Elephant Standard and 1 x 13mm Standard on One side 1x 10mm Elephant Standard and 1 x 13mm Standard on Other side		
E3SQA60	-M33	---/60/60	NLB	55	54	1 x 13mm Elephant MultiSmart on One side 2 x 10mm Elephant MultiSmart on Other side		
	-M36	---/60/60	NLB	55	54	1 x 13mm Elephant MultiSmart on One side 1 x 10mm Elephant MultiSmart and 1 x 13mm MultiSmart on Other side		
	-M39	---/60/60	NLB	57	56	1 x 13mm Elephant MultiSmart on One side 2 x 13mm Elephant MultiSmart on Other side		
E4SQA60	-S52	---/60/60	NLB	57	56	2 x 13mm Elephant Standard on One side 2 x 13mm Elephant Standard on Other side		
	-M40	---/60/60	NLB	57	56	2 x 10mm Elephant MultiSmart on One side 2 x 10mm Elephant MultiSmart on Other side		
E4SQA75	-MS52	---/75/75	NLB	59	58	1x13mm Elephant MultiSmart and 1x13mm Standard on One side 1x13mm Elephant MultiSmart and 1x13mm Standard on Other side		
E4SQA90	-M46	---/90/90	NLB	59	58	1 x 10mm Elephant MultiSmart and 1 x 13mm MultiSmart on One side 1 x 10mm Elephant MultiSmart and 1 x 13mm MultiSmart on Other side		
E4SQA105	-M52	---/105/105	NLB	61	60	2 x 13mm Elephant MultiSmart on One side 2 x 13mm Elephant MultiSmart on Other side		



Full Intertency - Fire Rated Walls

System Number	Lining Suffix	Fire Rating	Load Bearing Ability	Noise Control		Lining Requirements	Page
				STC	Rw		

Staggered Steel Stud Walls - Non Load Bearing

E3SSA30	-S39	---/30/30	NLB	55	54	1 x 13mm Elephant Standard on One side 2 x 13mm Elephant Standard on Other side
E4SSA45	-F40	---/45/45	NLB	56	55	2 x 10mm Elephant FireSmart on One side 2 x 10mm Elephant FireSmart on Other side
E3SSA60	-MS39	---/60/60	NLB	56	55	1 x 13mm Elephant MultiSmart on One side 2 x 13mm Elephant Standard on Other side
	-M39	---/60/60	NLB	57	56	1 x 13mm Elephant MultiSmart on One side 2 x 13mm Elephant MultiSmart on Other side
E4SSA60	-S52	---/60/60	NLB	59	58	2 x 13mm Elephant Standard on One side 2 x 13mm Elephant Standard on Other side
E4SSA90	-M46	---/90/90	NLB	59	58	1 x 10mm MultiSmart and 1 x 13mm MultiSmart on One side 1 x 10mm MultiSmart and 1 x 13mm MultiSmart on Other side
	-M52	---/90/90	NLB	62	61	2 x 13mm Elephant MultiSmart on One side 2 x 13mm Elephant MultiSmart on Other side

Please refer to the Elephant Noise Control Systems Manual for these System Specification sheets



Full Intertency - Fire Rated Floor/Ceilings

System Number	Lining Suffix	Fire Rating	Load Bearing Ability	Noise Control			Lining Requirements	Page
				STC	Rw	IIC		
Direct Fix Clip - Floating Floor/Ceiling - Timber Joist								
EFJ2DFA60	-MS26	60/60/60	LB	67	66	57-76	1 x 13mm Elephant MultiSmart and 1 x 13mm Elephant Standard	Please refer to the Elephant Noise Control Systems Manual for these System Specification sheets
	-M26	60/60/60	LB	68	67	57-77	2 x 13mm Elephant MultiSmart	
EFP2DFA60	-MS26	60/60/60	LB	64	63	55-72	1 x 13mm Elephant MultiSmart and 1 x 13mm Elephant Standard	
	-M26	60/60/60	LB	65	64	56-72	2 x 13mm Elephant MultiSmart	
Direct Fix Clip - Floating Floor/Ceiling - Steel Joist								
EFJ2DFsA45	-M26	45/45/45	LB	67	66	56-76	2 x 13mm Elephant MultiSmart	
EFP2DFsA45	-M26	45/45/45	LB	64	63	55-72	2 x 13mm Elephant MultiSmart	
EFJ2DFsA60	-FM29	60/60/60	LB	67	66	56-76	1 x 13mm Elephant MultiSmart and 1 x 16mm Elephant FireSmart	
EFP2DFsA60	-FM29	60/60/60	LB	64	63	56-72	1 x 13mm Elephant MultiSmart and 1 x 16mm Elephant FireSmart	
Direct Fix Clip - Floor/Ceiling - Timber Joist								
E2DFA60	-MS26	60/60/60	LB	56	55	46-73	1 x 13mm Elephant MultiSmart and 1 x 13mm Elephant Standard	
E2DFA75	-M26	75/75/75	LB	57	56	46-73	2 x 13mm Elephant MultiSmart	
E2DFA90	-FM29	90/90/90	LB	57	56	47-73	1 x 16mm Elephant FireSmart and 1 x 13mm Elephant MultiSmart	
	-F32	90/90/90	LB	58	57	47-73	2 x 16mm Elephant FireSmart	
Suspended Grid Floor/Ceiling - Timber Joist								
E2SCA60	-MS26	60/60/60	LB	56	55	40-72	1 x 13mm Elephant MultiSmart and 1 x 13mm Elephant Standard	
E2SCA75	-M26	75/75/75	LB	56	55	40-72	2 x 13 Elephant MultiSmart	
E2SCA90	-FM29	90/90/90	LB	57	56	47-72	1 x 16mm Elephant FireSmart and 1 x 13mm Elephant MultiSmart	
	-F32	90/90/90	LB	57	56	40-73	2 x 16mm Elephant FireSmart	
Direct Fix Clip - Floor/Ceiling - Steel Joist								
E2DFsA45	-M26	45/45/45	LB	56	55	47-74	2 x 13mm Elephant MultiSmart	
E2DFsA60	-FM29	60/60/60	LB	57	56	47-75	1 x 16mm Elephant FireSmart and 1 x 13mm Elephant MultiSmart	
	-F32	60/60/60	LB	57	56	47-75	2 x 16mm Elephant FireSmart	



Sub Intertenancy - Walls

System Number	Lining Suffix	Fire Rating	Load Bearing Ability	Noise Control		Lining Requirements	Page
				STC	Rw		
Single Timber Frame Walls - Load Bearing							
E2TLa30	-S20	30/30/30	LB	39	38	1 x 10mm Elephant Standard on One side 1 x 10mm Elephant Standard on Other side	Please refer to the Elephant Noise Control Systems Manual for these System Specification sheets
	-S26	30/30/30	LB	40	39	1 x 13mm Elephant Standard on One side 1 x 13mm Elephant Standard on Other side	
	-M20	30/30/30	LB	41	40	1 x 10mm Elephant MultiSmart on One side 1 x 10mm Elephant MultiSmart on Other side	
E3TLa30	-S30	30/30/30	LB	42	41	1 x 10mm Elephant Standard on One side 2 x 10mm Elephant Standard on Other side	
	-S39	30/30/30	LB	43	42	1 x 13mm Elephant Standard on One side 2 x 13mm Elephant Standard on Other side	
	-M30	30/30/30	LB	44	43	1 x 10mm Elephant MultiSmart on One side 2 x 10mm Elephant MultiSmart on Other side	
E4TLa45	-S40	45/45/45	LB	44	43	2 x 10mm Elephant Standard on One side 2 x 10mm Elephant Standard on Other side	
E2TLa60	-M26	60/60/60	LB	42	41	1 x 13mm Elephant MultiSmart on One side 1 x 13mm Elephant MultiSmart on Other side	
E3TLa60	-MS39	60/60/60	LB	45	44	1 x 13mm Elephant MultiSmart on One side 2 x 13mm Elephant Standard on Other side	
	-M33	60/60/60	LB	45	44	1 x 13mm Elephant MultiSmart on One side 2 x 10mm Elephant MultiSmart on Other side	
	-M39	60/60/60	LB	46	45	1 x 13mm Elephant MultiSmart on One side 2 x 13mm Elephant MultiSmart on Other side	
E4TLa60	-S46	60/60/60	LB	45	44	1 x 10mm Elephant Standard and 1 x 13mm Standard on One side 1 x 10mm Elephant Standard and 1 x 13mm Standard on Other side	
	-S52	60/60/60	LB	46	45	2 x 13mm Elephant Standard on One side 2 x 13mm Elephant Standard on Other side	
	-M40	60/60/60	LB	46	45	2 x 10mm Elephant MultiSmart on One side 2 x 10mm Elephant MultiSmart on Other side	
E4TLa90	-M52	90/90/90	LB	48	47	2 x 13mm Elephant MultiSmart on One side 2 x 13mm Elephant MultiSmart on Other side	
Double Timber Frame Walls - Load Bearing							
E2TDLa30	-S20	30/30/30	LB	50	49	1 x 10mm Elephant Standard on One side 1 x 10mm Elephant Standard on Other side	
	-S26	30/30/30	LB	52	51	1 x 13mm Elephant Standard on One side 1 x 13mm Elephant Standard on Other side	
	-M20	30/30/30	LB	52	51	1 x 10mm Elephant MultiSmart on One side 1 x 10mm Elephant MultiSmart on Other side	
Single Timber Frame Walls with Resilient Mount- Load Bearing							
E3TMLa30	-S30	30/30/30	LB	52	51	Frame Side: 1 x 10mm Elephant Standard Mount Side: 2 x 10mm Elephant Standard	
Single Timber Frame Walls with Resilient Rail- Load Bearing							
E3TRLa30	-S30	30/30/30	LB	47	46	Frame Side: 1 x 10mm Elephant Standard Rail Side: 2 x 10mm Elephant Standard	
	-S39	30/30/30	LB	50	49	Frame Side: 1 x 13mm Elephant Standard Rail Side: 2 x 13mm Elephant Standard	
	-M30	30/30/30	LB	51	50	Frame Side: 1 x 10mm Elephant MultiSmart Rail Side: 2 x 10mm Elephant MultiSmart	
E3TRLa60	-MS39	60/60/60	LB	52	50	Frame Side: 1 x 13mm Elephant MultiSmart Rail Side: 2 x 13mm Elephant Standard	
	-M39	60/60/60	LB	52	51	Frame Side: 1 x 13mm Elephant MultiSmart Rail Side: 2 x 13mm Elephant MultiSmart	



Sub Intertenancy - Walls

System Number	Lining Suffix	Fire Rating	Load Bearing Ability	Noise Control		Lining Requirements	Page	
				STC	Rw			
Single Steel Frame Walls - Non Load Bearing								
E2Sa15	-S20	---/15/15	NLB	40	39	1 x 10mm Elephant Standard on One side 1 x 10mm Elephant Standard on Other side	Please refer to the Elephant Noise Control Systems Manual for these System Specification sheets	
E2Sa30	-S26	---/30/30	NLB	41	40	1 x 13mm Elephant Standard on One side 1 x 13mm Elephant Standard on Other side		
	-M20	---/30/30	NLB	42	41	1 x 10mm Elephant MultiSmart on One side 1 x 10mm Elephant MultiSmart on Other side		
E3Sa30	-S33	---/30/30	NLB	43	42	1 x 13mm Elephant Standard on One side 2 x 10mm Elephant Standard on Other side		
	-S39	---/30/30	NLB	44	42	1 x 13mm Elephant Standard on One side 2 x 13mm Elephant Standard on Other side		
	-M30	---/30/30	NLB	44	43	1 x 10mm Elephant MultiSmart on One side 2 x 10mm Elephant MultiSmart on Other side		
E4Sa45	-S40	---/45/45	NLB	45	44	2 x 10mm Elephant Standard on One side 2 x 10mm Elephant Standard on Other side		
E2Sa60	-M26	---/60/60	NLB	43	42	1 x 13mm Elephant MultiSmart on One side 1 x 13mm Elephant MultiSmart on Other side		
E3Sa60	-MS39	---/60/60	NLB	44	43	1 x 13mm Elephant MultiSmart on One side 2 x 13mm Elephant Standard on Other side		
	-M39	---/60/60	NLB	45	44	1 x 13mm Elephant MultiSmart on One side 2 x 13mm Elephant MultiSmart on Other side		
E4Sa60	-S46	---/60/60	NLB	46	45	1 x 10mm Elephant Standard and 1 x 13mm Standard on One side 1 x 10mm Elephant Standard and 1 x 13mm Standard on Other side		
	-S52	---/60/60	NLB	48	47	2 x 13mm Elephant Standard on One side 2 x 13mm Elephant Standard on Other side		
	-M40	---/60/60	NLB	48	47	2 x 10mm Elephant MultiSmart on One side 2 x 10mm Elephant MultiSmart on Other side		
E4Sa90	-M46	---/90/90	NLB	50	49	1 x 10mm Elephant MultiSmart and 1 x 13mm MultiSmart on One side 1 x 10mm Elephant MultiSmart and 1 x 13mm MultiSmart on Other side		
E4Sa105	-M52	---/105/105	NLB	52	51	2 x 13mm Elephant MultiSmart on One side 2 x 13mm Elephant MultiSmart on Other side		
Single Steel Frame Walls - Load Bearing								
E2SLa30	-M26	30/30/30	LB	43	42	1 x 13mm Elephant MultiSmart on One side 1 x 13mm Elephant MultiSmart on Other side		
E3SLa30	-M39	30/30/30	LB	45	44	1 x 13mm Elephant MultiSmart on One side 2 x 13mm Elephant MultiSmart on Other side		
E4SLa30	-S40	30/30/30	LB	45	44	2 x 10mm Elephant Standard on One side 2 x 10mm Elephant Standard on Other side		
E4SLa45	-S52	45/45/45	LB	48	47	2 x 13mm Elephant Standard on One side 2 x 13mm Elephant Standard on Other side		
	-M40	45/45/45	LB	48	47	2 x 10mm Elephant MultiSmart on One side 2 x 10mm Elephant MultiSmart on Other side		
E4SLa60	-M52	60/60/60	LB	52	51	2 x 13mm Elephant MultiSmart on One side 2 x 13mm Elephant MultiSmart on Other side		
E4SLa90	-F64	90/90/90	LB	53	52	2 x 16mm Elephant FireSmart on One side 2 x 16mm Elephant FireSmart on Other side		
Double Steel Frame Walls - Non Load Bearing								
E2SDa30	-S26	---/30/30	NLB	52	51	1 x 13mm Elephant Standard on One side 1 x 13mm Elephant Standard on Other side		
	-M20	---/30/30	NLB	52	51	1 x 10mm Elephant MultiSmart on One side 1 x 10mm Elephant MultiSmart on Other side		



Sub Intertenancy - Walls

System Number	Lining Suffix	Fire Rating	Load Bearing Ability	Noise Control		Lining Requirements	Page	
				STC	Rw			
Steel Frame Walls with Resilient Rail- Non Load Bearing								
E3SRa30	-S39	---/30/30	NLB	51	50	Frame Side: 1 x 13mm Elephant Standard Rail Side: 2 x 13mm Elephant Standard	Please refer to the Elephant Noise Control Systems Manual for these System Specification sheets	
	-M30	---/30/30	NLB	51	50	Frame Side: 1 x 10mm Elephant MultiSmart Rail Side: 2 x 10mm Elephant MultiSmart		
E3SRa60	-MS39	---/60/60	NLB	52	51	Frame Side: 1 x 13mm Elephant MultiSmart Rail Side: 2 x 13mm Elephant Standard		
	-M39	---/60/60	NLB	53	52	Frame Side: 1 x 13mm Elephant MultiSmart Rail Side: 2 x 13mm Elephant MultiSmart		
Quiet Steel Frame Walls - Non Load Bearing								
E2SQa30	-S26	---/30/30	NLB	47	46	1 x 13mm Elephant Standard on One side 1 x 13mm Elephant Standard on Other side		
	-M20	---/30/30	NLB	48	47	1 x 10mm Elephant MultiSmart on One side 1 x 10mm Elephant MultiSmart on Other side		
E3SQa30	-S39	---/30/30	NLB	53	52	1 x 13mm Elephant Standard on One side 2 x 13mm Elephant Standard on Other side		
	-M30	---/30/30	NLB	53	52	1 x 10mm Elephant MultiSmart on One side 2 x 10mm Elephant MultiSmart on Other side		
E3SQa45	-MS33	---/45/45	NLB	52	51	1 x 13mm Elephant MultiSmart on One side 2 x 10mm Elephant Standard on Other side		
E2SQa60	-M26	---/60/60	NLB	50	49	1 x 13mm Elephant MultiSmart on One side 1 x 13mm Elephant MultiSmart on Other side		
Staggered Steel Stud Walls - Non Load Bearing								
E2SSa30	-S26	---/30/30	NLB	50	49	1 x 13mm Elephant Standard on One side 1 x 13mm Elephant Standard on Other side		
	-M20	---/30/30	NLB	49	48	1 x 10mm Elephant MultiSmart on One side 1 x 10mm Elephant MultiSmart on Other side		
E2SSa60	-M26	---/60/60	NLB	52	51	1 x 13mm Elephant MultiSmart on One side 1 x 13mm Elephant MultiSmart on Other side		
	-F32	---/60/60	NLB	54	53	1 x 16mm Elephant FireSmart on One side 1 x 16mm Elephant FireSmart on Other side		

Sub Intertenancy - Floor/Ceilings

System Number	Lining Suffix	Fire Rating	Load Bearing Ability	Noise Control			Lining Requirements
				STC	Rw	IIC	
Direct Fix Clip - Floor/Ceiling							
E1DFa15	-S13	15/15/15	LB	48	47	43-69	1 x 13mm Elephant Standard
E2DFa30	-S26	30/30/30	LB	53	52	43-69	2 x 13mm Elephant Standard
E1DFa45	-M13	45/45/45	LB	52	51	43-69	1 x 13mm Elephant MultiSmart
E1DFa60	-F16	60/60/60	LB	52	51	43-69	1 x 16mm Elephant FireSmart
Suspended Grid Floor/Ceiling							
E1SCa15	-S13	15/15/15	LB	48	47	39-62	1 x 13mm Elephant Standard
E2SCa30	-S26	30/30/30	LB	53	52	42-67	2 x 13mm Elephant Standard
E1SCa45	-M13	45/45/45	LB	51	50	43-69	1 x 13mm Elephant MultiSmart
E1SCa60	-F16	60/60/60	LB	52	51	43-69	1 x 16mm Elephant FireSmart





For Plasterboard & Fibre Cement combination Fire Rated system options, go to

Elephant & Fibre Cement Fire Rated Systems Manual



External Fire Rated Walls - Timber Frame

System Number	Lining Suffix	Fire Rating	Insulation	Noise Control	Lining Requirements	Page	
				STC			
Elephant Plasterboard & James Hardie Linea™ Weatherboard							
EJL1TL30	-F10	30/30/30	R2.2 glass wool	46	1 x 10mm Elephant FireSmart on Internal side James Hardie Linea™ Weatherboard to External side	Please refer Elephant Plasterboard & Fibre Cement Fire Rated Systems Manual for these System Specification sheets	
EJL1TL60	-M13	60/60/60	R2.2 glass wool	47	1 x 13mm Elephant MultiSmart on Internal side James Hardie Linea™ Weatherboard to External side		
Elephant Plasterboard & James Hardie Linea™ Oblique™ Weatherboard							
EJOH1TL30	-F10	30/30/30	R2.2 glass wool	46	1 x 10mm Elephant FireSmart on Internal side James Hardie Linea™ Oblique™ Weatherboard horizontal to External side		
EJOV1TL30	-F10	30/30/30	R2.2 glass wool	46	1 x 10mm Elephant FireSmart on Internal side James Hardie Linea™ Oblique™ Weatherboard vertical to External side		
EJOH1TL60	-M13	60/60/60	R2.2 glass wool	47	1 x 13mm Elephant MultiSmart on Internal side James Hardie Linea™ Oblique™ Weatherboard horizontal to External side		
EJOV1TL60	-M13	60/60/60	R2.2 glass wool	47	1 x 13mm Elephant MultiSmart on Internal side James Hardie Linea™ Oblique™ Weatherboard vertical to External side		
Elephant Plasterboard & James Hardie™ Plank Weatherboard							
EJW1TL30	-F10	30/30/30	R2.2 glass wool	45	1 x 10mm Elephant FireSmart on Internal side James Hardie™ Plank Weatherboard to External side		
EJW1TL60	-M13	60/60/60	Hardie™ Mineral	46	1 x 13mm Elephant MultiSmart on Internal side James Hardie™ Plank Weatherboard to External side		
Elephant Plasterboard & James Hardie Stria™ Cladding							
EJSh1TL30	-F10	30/30/30	R2.2 glass wool	46	1 x 10mm Elephant FireSmart on Internal side James Hardie Stria™ Cladding horizontal to External side		
EJSv1TL30	-F10	30/30/30	R2.2 glass wool	46	1 x 10mm Elephant FireSmart on Internal side James Hardie Stria™ Cladding vertical to External side		
EJSh1TL60	-M13	60/60/60	R2.2 glass wool	47	1 x 13mm Elephant MultiSmart on Internal side James Hardie Stria™ Cladding horizontal to External side		
EJSv1TL60	-M13	60/60/60	R2.2 glass wool	47	1 x 13mm Elephant MultiSmart on Internal side James Hardie Stria™ Cladding vertical to External side		
Elephant Plasterboard & James Hardie Stria™ Cladding & RAB™ Board with CLD Battens							
EJRS1TL30	-F10	30/30/30	R2.2 glass wool	46	1 x 10mm Elephant FireSmart on Internal side James Hardie Stria™ Cladding and RAB™ Board with CLD™ Structural Cavity Batten to External side		
EJRS1TL60	-M13	60/60/60	Hardie™ Mineral	47	1 x 13mm Elephant MultiSmart on Internal side James Hardie Stria™ Cladding and RAB™ Board with CLD™ Structural Cavity Batten to External side		
Elephant Plasterboard & James Hardie Hardie™ Flex Sheet							
EJF1TL30	-F10	30/30/30	R2.2 glass wool	42	1 x 10mm Elephant FireSmart on Internal side James Hardie Hardie™ Flex Sheet to External side		
EJF1TL60	-M13	60/60/60	Hardie™ Mineral	43	1 x 13mm Elephant MultiSmart on Internal side James Hardie Hardie™ Flex Sheet to External side		



External Fire Rated Walls - Timber Frame

System Number	Lining Suffix	Fire Rating	Insulation	Noise Control STC	Lining Requirements	Page	
Elephant Plasterboard & James Hardie Axon™ Panel							
EJA1TL30	-F10	30/30/30	R2.2 glass wool	41	1 x 10mm Elephant FireSmart on Internal side James Hardie Axon™ Panel to External side	Please refer Elephant Plasterboard & Fibre Cement Fire Rated Systems Manual for these System Specification sheets	
EJA1TL60	-M13	60/60/60	Hardie™ Mineral	42	1 x 13mm Elephant MultiSmart on Internal side James Hardie Axon™ Panel to External side		
Elephant Plasterboard & James Hardie Axon™ Panel & RAB™ Board with CLD Battens							
EJRA1TL30	-F10	30/30/30	R2.2 glass wool	45	1 x 10mm Elephant FireSmart on Internal side James Hardie Axon™ Panel and RAB™ Board with CLD™ Structural Cavity Batten to External side		
EJRA1TL60	-M13	60/60/60	Hardie™ Mineral	46	1 x 13mm Elephant MultiSmart on One side James Hardie Axon™ Panel and RAB™ Board with CLD™ Structural Cavity Batten to External side		
Elephant Plasterboard & James Hardie EasyLap™ Panel							
EJE1TL30	-F10	30/30/30	R2.2 glass wool	46	1 x 10mm Elephant FireSmart on Internal side James Hardie EasyLap™ Panel to External side		
EJE1TL60	-M13	60/60/60	Hardie™ Mineral	47	1 x 13mm Elephant MultiSmart on Internal side James Hardie EasyLap™ Panel to External side		
Elephant Plasterboard & James Hardie EasyLap™ Panel & RAB™ Board with CLD Battens							
EJRE1TL30	-F10	30/30/30	R2.2 glass wool	46	1 x 10mm Elephant FireSmart on Internal side James Hardie EasyLap™ Panel and RAB™ Board with CLD™ Structural Cavity Batten to External side		
EJRE1TL60	-M13	60/60/60	Hardie™ Mineral	47	1 x 13mm Elephant MultiSmart on Internal side James Hardie EasyLap™ Panel and RAB™ Board with CLD™ Structural Cavity Batten to External side		
Elephant Plasterboard & James Hardie ExoTec™ Facade Panel & RAB™ Board							
EJRX1TL30	-F10	30/30/30	R2.2 glass wool	47	1 x 10mm Elephant FireSmart on Internal side James Hardie ExoTec™ Facade Panel and RAB™ Board with Top hat system to External side		
EJRX1TL60	-M13	60/60/60	Hardie™ Mineral	48	1 x 13mm Elephant MultiSmart on Internal side James Hardie ExoTec™ Facade Panel and RAB™ Board with Top hat system to External side		
Elephant Plasterboard & James Hardie RAB™ Board & a Weathertight Cladding (See Note 1)							
EJRN1TL30	-F10	30/30/30	R2.2 glass wool	42	1 x 10mm Elephant FireSmart on Internal side James Hardie RAB™ Board with a Weathertight Cladding to External side		
EJRN1TL60	-M13	60/60/60	Hardie™ Mineral	42	1 x 13mm Elephant MultiSmart on Internal side James Hardie RAB™ Board with a Weathertight Cladding to External side		
EJRN2TL60	-F20	60/60/60	Hardie™ Mineral	46	2 x 10mm Elephant FireSmart on Internal side James Hardie RAB™ Board with a Weathertight Cladding to External side		
	-S26	60/60/60	Hardie™ Mineral	47	2 x 13mm Elephant Standard on Internal side James Hardie RAB™ Board with a Weathertight Cladding to External side		
	-M20	60/60/60	Hardie™ Mineral	47	2 x 10mm Elephant MultiSmart on Internal side James Hardie RAB™ Board with a Weathertight Cladding to External side		



External Fire Rated Walls - Steel Frame

System Number	Lining Suffix	Fire Rating	Insulation	Noise Control	Lining Requirements	Page
				STC		

Elephant Plasterboard & RAB™ board with Selected James Hardie Fibre Cement Cladding

EJRH1SL30	-M13	30/30/30	Hardie™ Mineral	42 - 47	1 x 13mm Elephant MultiSmart on Internal side James Hardie RAB™ Board with Selected James Hardie Fibre Cement cladding to External side
	-F16	30/30/30	Hardie™ Mineral	42 - 47	1 x 16mm Elephant FireSmart on Internal side James Hardie RAB™ Board with Selected James Hardie Fibre Cement cladding to External side
EJRH2SL30	-F20	30/30/30	Hardie™ Mineral	47 - 53	2 x 10mm Elephant FireSmart on Internal side James Hardie RAB™ Board with Selected James Hardie Fibre Cement cladding to External side
EJRH2SL60	-M26	60/60/60	Hardie™ Mineral	51 - 54	2 x 13mm Elephant MultiSmart on Internal side James Hardie RAB™ Board with Selected James Hardie Fibre Cement cladding to External side

Elephant Plasterboard & James Hardie RAB™ Board & a Weathertight Cladding (See Note 1)

EJRN1SL30	-M13	30/30/30	Hardie™ Mineral	42	1 x 13mm Elephant MultiSmart on Internal side James Hardie RAB™ Board with a Weathertight Cladding to External side
	-F16	30/30/30	Hardie™ Mineral	43	1 x 16mm Elephant FireSmart on Internal side James Hardie RAB™ Board with a Weathertight Cladding to External side
EJRN2SL30	-F20	30/30/30	Hardie™ Mineral	47	2 x 10mm Elephant FireSmart on Internal side James Hardie RAB™ Board with a Weathertight Cladding to External side
EJRN2SL60	-M26	60/60/60	Hardie™ Mineral	49	2 x 13mm Elephant MultiSmart on Internal side James Hardie RAB™ Board with a Weathertight Cladding to External side

Internal Fire Rated Walls - Timber Frame

System Number	Lining Suffix	Fire Rating	Insulation	Noise Control	Lining Requirements
				STC	

Elephant Plasterboard & James Hardie Villaboard™ Lining

EJV1TL30	-F10	30/30/30	R2.2 glass wool	42	1 x 10mm Elephant FireSmart on One side James Hardie Villaboard™ Lining to Other side
EJV1TL60	-M13	60/60/60	Hardie™ Mineral	43	1 x 13mm Elephant MultiSmart on One side James Hardie Villaboard™ Lining to Other side

Please refer Elephant Plasterboard & Fibre Cement Fire Rated Systems Manual for these System Specification sheets



Floor/Ceilings - Timber Frame

System Number	Lining Suffix	Fire Rating	Insulation	Noise Control		Lining Requirements to underside of Frame	Page
				STC	IIC		
Elephant Plasterboard & James Hardie Secura™ Interior Flooring							
EJS1FC30	-M13	30/30/30	n/a	45	33	1 x 13mm Elephant MultiSmart to underside of frame	
EJS1FC60	-F16	60/60/60	n/a	46	33	1 x 16mm Elephant FireSmart to underside of frame	

Please refer Elephant Plasterboard & Fibre Cement Fire Rated Systems Manual for these System Specification sheets

Full Intertency - Floating Floor/Ceilings - Timber Frame

System Number	Lining Suffix	Fire Rating	Insulation	Noise Control		Lining Requirements to underside of Frame
				STC	IIC	
Elephant Plasterboard & Floating James Hardie Secura™ Interior Flooring						
EFJ2DFA60	-MS26	60/60/60	R1.8 glass wool	67	57-76	1 x 13 Elephant MultiSmart And 1 x 13 Elephant Standard under the battens
	-M26	60/60/60	R1.8 glass wool	68	57-77	2 x 13 Elephant MultiSmart under the battens



INTRODUCTION

This manual provides details for construction of One way and Two way Fire Rated walls and floor/ceiling elements to provide fire protection as required by the NZBC clause C1 to C6 "Protection From Fire".

Elephant Plasterboard (NZ) Limited has many different combinations of wall and ceiling Fire Rated Systems. It is the responsibility of the specifier to accommodate the required performance of the building they are considering. The specifier should take into consideration both external and internal fire rating for occupants intended use. Special consideration must be taken in the construction process.

All construction details that have been provided in this manual are generic only and it is important that expert advice is sought to determine suitability in each individual project

Limitations and Conditions of Use

- Elephant Plasterboard is intended for normal conditions of dry internal use.
- Elephant Plasterboard must not be used for bracing applications in or around baths and shower areas.
- Elephant Plasterboard must not be exposed to liquid water or be installed in situations where extended exposures to humidity above 90% Relative Humidity are to be expected. Bathrooms, kitchens and laundries should have adequate ventilation or heating to avoid condensation build-up.
- A suitable surface finish (e.g. Vinyl wallpaper or gloss and semi-gloss alkyd paints) must be applied to Elephant Plasterboard in all areas where liquid water or high humidity can be expected.
- Elephant Plasterboard must not be installed over a vapour barrier.
- Elephant Plasterboard must not be applied directly to masonry, concrete or solid plaster, unless timber strapping or steel furring channels are used.
- Elephant Plasterboard must not be exposed to temperatures of 52°C or greater for prolonged periods.
- Elephant Plasterboard may not be used as an external lining.

New Zealand Building Code (NZBC) Compliance

Elephant Plasterboard is manufactured to AS/NZS 2588 and has been specifically formulated to meet New Zealand Building Code requirements. Elephant Plasterboard has been marketed internationally since 1975 and the product has established an excellent history of performance for its use in buildings throughout New Zealand and the Asia/Pacific region. Elephant Plasterboard meets the durability requirements of the NZBC and is subject to use, installation and maintenance in accordance with the instructions outlined in this manual. The Manufacturing plant is International Standard ISO 9001 and ISO 14001 registered.

- **NZBC Clause B1 Structure:**
Framing material specifications used with Elephant Plasterboard Systems must be in accordance with the performance requirements of NZBC Clause B1. Timber framed walls and floors must be installed and meet the requirements of NZS3604.
- **NZBC Clause B2 Durability:**
Elephant Plasterboard Fire, Noise Control & Bracing Systems have a serviceable life of not less than 50 years and so is in accordance to NZBC B2.3.1.
- **NZBC Clause C1-C6 Protection from Fire:**
Elephant Plasterboard Fire & Noise Control Systems can meet the requirements of providing passive fire protection as per NZBC Clause C1-C6.
- **NZBC Clause E3 Internal Moisture:**
Elephant Plasterboard Wet Area Systems can meet the requirements of NZBC Acceptable Solution E3/AS1.
- **NZBC Clause F2 Hazardous Building Materials:**
Elephant Plasterboard Systems meet this requirement of NZBC Clause F2 and will not present a health hazard to people.
- **NZBC Clause G6 -Airborne & Impact Sound:**
Elephant Plasterboard Noise Control Systems entitled 'Full Intertency' (STC 55 or greater) systems meet the requirements of NZBC Clause G6.



INTRODUCTION

Fire Resistance Ratings (FRR)

To prevent fire spread or structural collapse, the Acceptable Solutions require building elements to have fire resistance ratings (FRR). The level of FRR required depends on the risk group of the building. The way to determine the FRR of building elements is by using the standard tests specified in Appendix C of the Acceptable Solutions.

FRR components

An FRR comprises three numbers: these give time values in minutes for structural adequacy, integrity and insulation. E.g. --/60/60 (a/b/c). Primary and secondary elements required to have an FRR will, depending on their function, need to satisfy one or more of these three criteria as follows:

- a) **Structural Adequacy:** usually provided by primary elements within a fire cell. These include building elements which are part of the structure, and those providing support to other elements with an FRR within the same or adjacent fire cells. Examples are: columns, beams, floors and walls (which may also be fire separations). Paragraph 4.3 of the Acceptable Solutions describes special situations where primary elements need not have an FRR.
- b) **Integrity:** usually provided by secondary elements. Examples are fire separations, which are internal partitions and floors, areas of external walls not permitted to be an unprotected area, and some areas of roofs when close to another building or crossed by an exit way. Primary elements forming an integral part of a fire separation are also rated for integrity.
- c) **Insulation:** applies to fire separations and is required where the transmission of heat through the element may endanger occupants on the other side or cause fire to spread to other fire cells or adjacent buildings. For example, insulation is necessary for fire separations between sleeping spaces, where protecting a safe path or through external walls.

Elephant Plasterboard Fire Rated Systems meet the requirements of the above clauses and definitions and have numerous systems combinations as outlined in this manual. All Elephant Plasterboard Fire Rated systems have been tested or internally assessed or have opinions provided by independent accredited quality assurance organisations like "The Building Research Association of New Zealand (BRANZ)".

Internal Lining Surface Finish Properties

Elephant Plasterboard has been tested at BRANZ in accordance with ISO 5660 Reaction to fire tests (Heat release, smoke production and mass loss rate) Part 1: Heat release rate (cone calorimeter method); and ISO 5660 Reaction to fire tests (Heat release, smoke production and mass loss rate) Part 2: Smoke production rate (dynamic measurement).

A Group Number Classification of 1-S was achieved in Fire test FH 5695-TT for all Elephant Plasterboard paper faced sheet linings. This classification only applies to Elephant Plasterboard paper faced sheet linings without paint or wallpaper finish. Contact the surface finish suppliers for group number information for their products.

'Group Number 1-S' is the highest performance expectation under 'Part 4. Control of Internal Fire and Smoke Spread' clause C/AS2 to C/AS7 of the NZBC. It means an Elephant Plasterboard paper faced sheet lining can be specified for use in any risk group application.

Fire Rated Walls

Elephant Plasterboard Fire Rated Systems have been tested on timber & steel frame walls, either as Load Bearing (LB) or Non Load Bearing.

Timber Frame

Stud heights, stud spacings, load and framing dimensions for Load Bearing (LB) or Non Load Bearing (NLB) Timber framed walls are determined by the NZBC, and NZS3604. Heights greater than what is defined in NZS3604 will need specific design by a structural engineer.

Steel Frame

Stud heights, stud spacings, load and framing dimensions for Load Bearing (LB) or Non Load Bearing (NLB) Steel framed walls need consultation with the framing supplier or fire engineer for fire design serviceability criteria.

General

Maximum spacing of studs 600mm centres. Wall linings must be mechanically fixed. Glue may not be substituted for mechanical fixing if used in a passive fire system. Screw lengths, spacings and type as defined by this manual must be used. Sheet edges must be fixed over studs when placed vertically or over solid blocking when placed horizontally. All outer layers must be stopped to a minimum level 3 stopping (refer to Elephant Plasterboard Installation Guide). Ensure the outer wall sheet is staggered minimum 300mm centres from the first sheet and that it is placed behind an adjacent stud. If a fire rated sealant is required ensure that the sealant is of the same FRR as the specified system in use and that it has been independently tested.



Fire Resistance of Clad Walls

External Walls

When using Elephant Plasterboard externally for a fire system, the board should be protected by a suitable weathertight cladding.

Elephant Plasterboard's FRR remains unaffected by the external cladding, provided the exterior cladding complies with NZBC Clause C1-6 protection of fire and in particular it is also important to consider that the fire properties of the external cladding is in accordance with NZBC C/VM1 or C/AS documents. Refer to Table 5.1 of Section 5.4 of C/AS1 and Table 5.5 of Section 5.8.1 of C/AS2 for the information about various risk groups to identify the external fire spread safety requirement applicable to the exterior surface finishes.

External cladding systems must comply with NZBC E2/AS1.

All external walls must have a flexible underlay or a rigid air barrier and be installed with a drained cavity.

Internal or External Walls

Elephant Plasterboard joints and screw heads may be left unstopped if the wall is clad with one of the following materials:

- Timber or wood based products
- Fibre Cement sheeting
- Steel sheeting (flat or profiled)
- EIFS (Exterior insulation and finish systems)

Internal Walls

- All the above
- 10mm or thicker plasterboard of any type

Structural Steel Members located inside cavities of Two way Fire Rated Wall or Floor/Ceiling systems

Structural steel members such as columns or beams are sometimes located inside the cavities of two way fire rated wall or floor/ceiling systems. The FRR of the two way fire rated system applies across the entire element, from exposed side to the unexposed side. The temperature inside the cavity can rise above the critical temperature level for structural steel members resulting in premature buckling. Therefore by containing a structural steel member within a two way fire system, it cannot be automatically assumed that the structural steel member will maintain its structural integrity of the two way fire system within which it is contained. Hence, reference should be made to the column and beam section in this manual for further information on protection of structural steel members.

Universal Walls (One Way FRR Systems)

Elephant Plasterboard Fire Rated systems may be used for a Universal wall. By definition a Universal wall is a wall that is further away than a boundary wall i.e. greater than 1.0 meter. Cladding is a requirement. Note limitations in each fire system in regard to cladding that contain foamed polymers.

Walls closer than 1 metre generally need to be Two Way FRR systems and require a suitable fire rated cladding or plasterboard on the exterior and then a suitable water tight cladding system over the top. (See Boundary Walls section) .

The building code (NZBC) under C2 part 5.2 and tables 5.2 and 5.3 stipulates distances from a delineated boundary and recommends the required fire protection as a percentage of exposed property wall. FRR ratings are required for Structural Adequacy and Integrity. Insulation to the wall is not considered, as fire penetration will spread to the exterior walls through windows and unprotected FRR walls.



Elephant QuickBrace System

The bracing systems specified in the Elephant QuickBrace Systems Manual can easily be combined with the Elephant Fire Rated Systems by adhering to the details outlined for the relevant Bracing system type and relevant Fire Rated System requirements.

For Single layered Fire Rated systems, use the QuickBrace fastening pattern and the required screw length of the Fire Rated Systems.

For Double layered Fire Rated systems, the bracing sheet can be either:

- The Inner sheet fixed directly to the framing. Use the QuickBrace fastening pattern and the required screw length of the Fire Rated System. The inner layer can be left unstopped; or
- The Outer sheet. Use the QuickBrace fastening pattern and the required screw length of the Fire Rated System.

For Resilient Rail or Resilient Mount systems, only single sided bracing systems can be used e.g. ER1, ES-N, ES-H and EM-H. The bracing sheet must be placed directly against the framing and not on the rail or mount side. Use the QuickBrace fastening pattern and the required screw length of the Fire Rated System.

Fire Rated Floor/Ceiling

Elephant Plasterboard Fire Rated Systems have been tested on Load bearing floor/ceiling systems. Refer to this manual for fixings and layer combinations. Ceiling linings must be mechanically fixed. Glue may not be substituted for mechanical fixing if used in a passive fire system. Screw lengths, spacings and type as defined by this manual must be used.

Timber & Composite Joists

Floor/ceiling system as defined in NZS3604 for floor loadings (2.0 kPa or 3.0 kPa) may be used. Consult NZS 3604 latest edition for floor joist spans. Floor joists must have a minimum of 190mm depth x 45mm width and a maximum spacing of 600mm centres. Alternatively, proprietary composite joist systems may be used. Consult the appropriate supplier's technical information for design strength and serviceability.

Steel Joists

Steel floor joists shall be a minimum depth of 190mm C- section with 45mm flanges and a steel gauge of 1.6mm minimum. Joists to be spaced at no more than 600mm centres.

Flooring

Floor/Ceiling system must have a floor that is at least 20mm thick particle board complying with AS/NZS 1860 Part 1: 2017 or minimum 17mm thick structural ply complying with AS/NZS 2269 Part 0: 2012 fixed to the floor joists as per manufacturer's installation instructions.

Existing Tongue & Groove flooring of minimum 20mm thickness that is tight and in good condition is also allowed.

Suspended Grid Ceiling

Rondo® KEY-LOCK™ steel frame suspension system comprising 2.5mm wire hangers spaced at 1200mm centres may be used. Supporting strong back channels to be spaced at a minimum of 1200mm centres and furring channels to be spaced at a maximum of 600mm centres. Refer to "Rondo Drywall Grid Suspension System" installation manual. Any alternative suspension system with at least equivalent layout and material properties, strength and stiffness may also be used.

Universal Ceiling Systems(One Way FRR)

Elephant Plasterboard Fire Rated systems may be used as a Universal ceiling system. By definition a Universal ceiling system is a ceiling without a floor above. Universal ceiling systems are usually ceiling joists, rafters and bottom cords of a truss roof. Universal ceiling systems can be either timber or steel with or without battens, may have a suspended clip system with timber or steel battens secured to the bottom of the universal ceiling. Refer to this manual for exact fixings and layer combinations.

Acoustic Sealant

In order to achieve the published STC performances in this manual, a bead of acoustic sealant must be placed around the perimeter of the framing or the inner layer and the outer layer is bedded into the bead.

Impact Insulation Class

The IIC rating stated in the Elephant plasterboard floor/ceiling systems are based on a bare floor finish.



Load Bearing Steel Studs

The steel frame design shall meet the structural criteria for strength and serviceability under dead and live loads. Frame heights, stud spacings and stud type are determined by specific engineering design. Stud spacings shall be 600 centres maximum. Stud width shall be 35mm minimum. Refer to the relevant sections of this Manual, in order to obtain the lining requirements to achieve the equivalent FRR of load bearing steel stud walls.

Non Load Bearing Steel Studs

Specific design for serviceability and fire design criteria is required for greater wall heights than the limit stated in the relevant systems of this Manual. Consult the framing manufacturer for the serviceability design criteria. Nogs in accordance with the framing supplier.



Product & Component Substitution

When a product specified in a system as per this manual is substituted, the performance of the system will be compromised. Therefore the materials specified in the system must not be substituted. Elephant Plasterboard (NZ) Limited does not take any liability if substitution of components are implemented in any Elephant Plasterboard Systems without consultation.

Plasterboard Substitution Options

The table below indicates which products can substitute the original plasterboard type specified.

- ✓ indicates that the FRR performance will be maintained
- X indicates that the FRR performance will be lower and so therefore the substitution is not allowed

Original Elephant Plasterboard specified	Elephant Plasterboard Substitution Options - FRR performance								
	Standard		FireSmart			MultiSmart		AquaSmart	
	10mm	13mm	10mm	13mm	16mm	10mm	13mm	10mm	13mm
10mm Standard	-	✓	✓	✓	✓	✓	✓	✓	✓
13mm Standard	X	-	X	✓	✓	✓	✓	✓ ¹	✓
10mm FireSmart	X	✓	-	✓	✓	✓	✓	✓	✓
13mm FireSmart	X	X	X	-	✓	X	✓	X	✓
16mm FireSmart	X	X	X	X	-	X	X	X	X
10mm MultiSmart	X	X	X	✓	✓	-	✓	✓ ¹	✓
13mm MultiSmart	X	X	X	✓	✓	X	-	X	✓ ¹

Note 1 : See table below for STC reduction when substituting

The table below details the reduction in STC performance when substituting original specified plasterboard with AquaSmart

- ✓ indicates that the FRR & STC performance will be maintained
- X indicates that the FRR performance will be lower and so therefore the substitution is not allowed

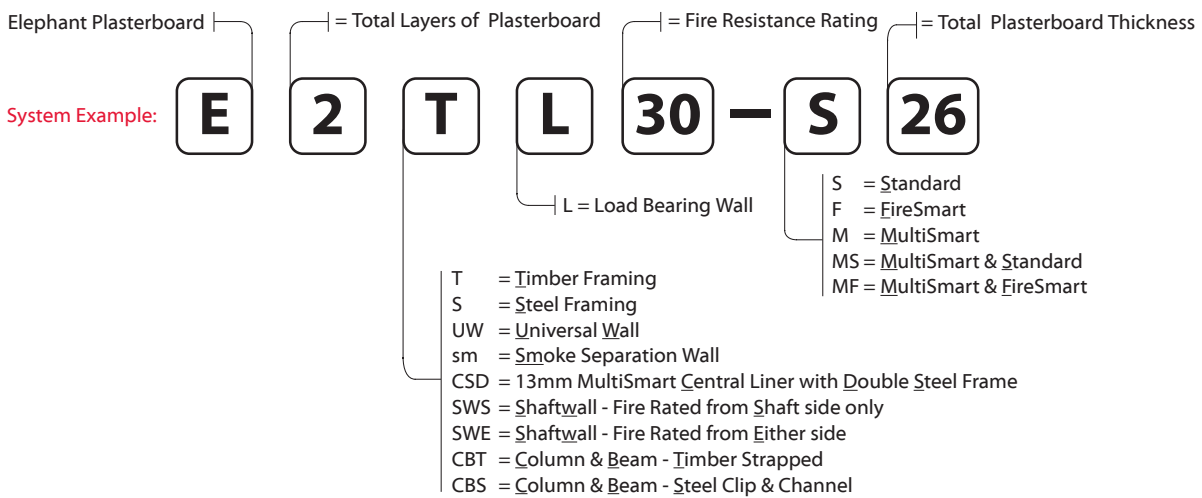
Original Elephant Plasterboard specified	STC performance			
	10mm AquaSmart		13mm AquaSmart	
	Single layer One side	Single Layer Both sides	Single layer One side	Single Layer Both sides
10mm Standard	✓	✓	✓	✓
13mm Standard	Reduced by 1 STC	Reduced by 2 STC	✓	✓
10mm FireSmart	✓	✓	✓	✓
13mm FireSmart	X	X	✓	✓
16mm FireSmart	X	X	X	X
10mm MultiSmart	Reduced by 1 STC	Reduced by 2 STC	✓	✓
13mm MultiSmart	X	X	Reduced by 1 STC	Reduced by 2 STC



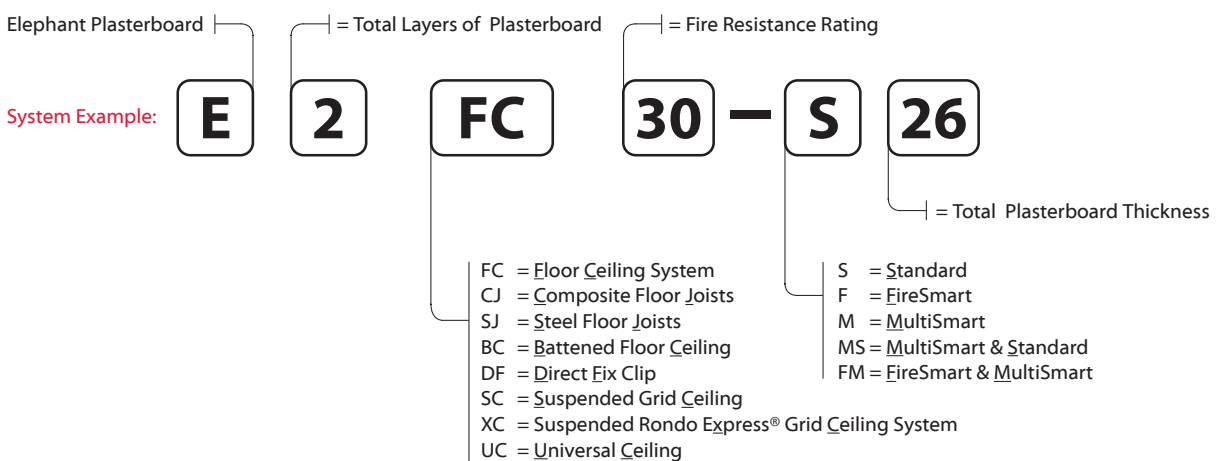
Nomenclature:

Elephant Specification Reference

Wall Systems



Floor/Ceiling Systems



2 Layers: 1 Layer of Plasterboard to each side of frame

System Number	Lining Suffix	Fire Rating	Load Bearing Ability	Noise Control		Lining Requirement
				STC	Rw	
E2TL30	-S20	30/30/30	LB	37	36	1 x 10mm Elephant Standard on One side 1 x 10mm Elephant Standard to Other side
	-F20	30/30/30	LB	37	36	1 x 10mm Elephant FireSmart on One side 1 x 10mm Elephant FireSmart to Other side
	-S26	30/30/30	LB	37	36	1 x 13mm Elephant Standard on One side 1 x 13mm Elephant Standard to Other side

Framing

Framing to comply with relevant sections and clauses of NZBC B1: Structure and NZBC B2: Durability.

Studs at 600mm centres maximum.

Nogs at 1200mm centre maximum.

Wall Height, Load and Framing Dimensions

These are determined by NZS 3604 stud tables for load bearing or non-load bearing partitions.

Plasterboard Lining

One layer of Elephant Plasterboard lining as per specified system above on each side of the timber framing.

Vertical or Horizontal fixing permitted. Use full height or full length sheets where possible.

For Vertical Fixing- the vertical sheet joints must be offset on the opposite side of the frame.

For Horizontal Fixing- the horizontal sheet joints on the opposite side of the frame can be formed over the same row of nogs.

Sheet end butt joints- must be formed over framing, offset from opposite side of the frame.

All sheet joints must be fixed over solid timber framing.

Sheets shall be touch fitted.

Fixing of Linings

Fasteners (As per Specified System Above)

System Number	Side One	Side Two
	High Thread Drywall Screws	
E2TL30-S20	10mm	10mm
E2TL30-F20	41 x 6g	41 x 6g
E2TL30-S26	13mm	13mm
	41 x 6g	41 x 6g

Fastener Centres

Fix at 300mm centres at sheet perimeters, on top and bottom plates and 300mm centres up all studs.

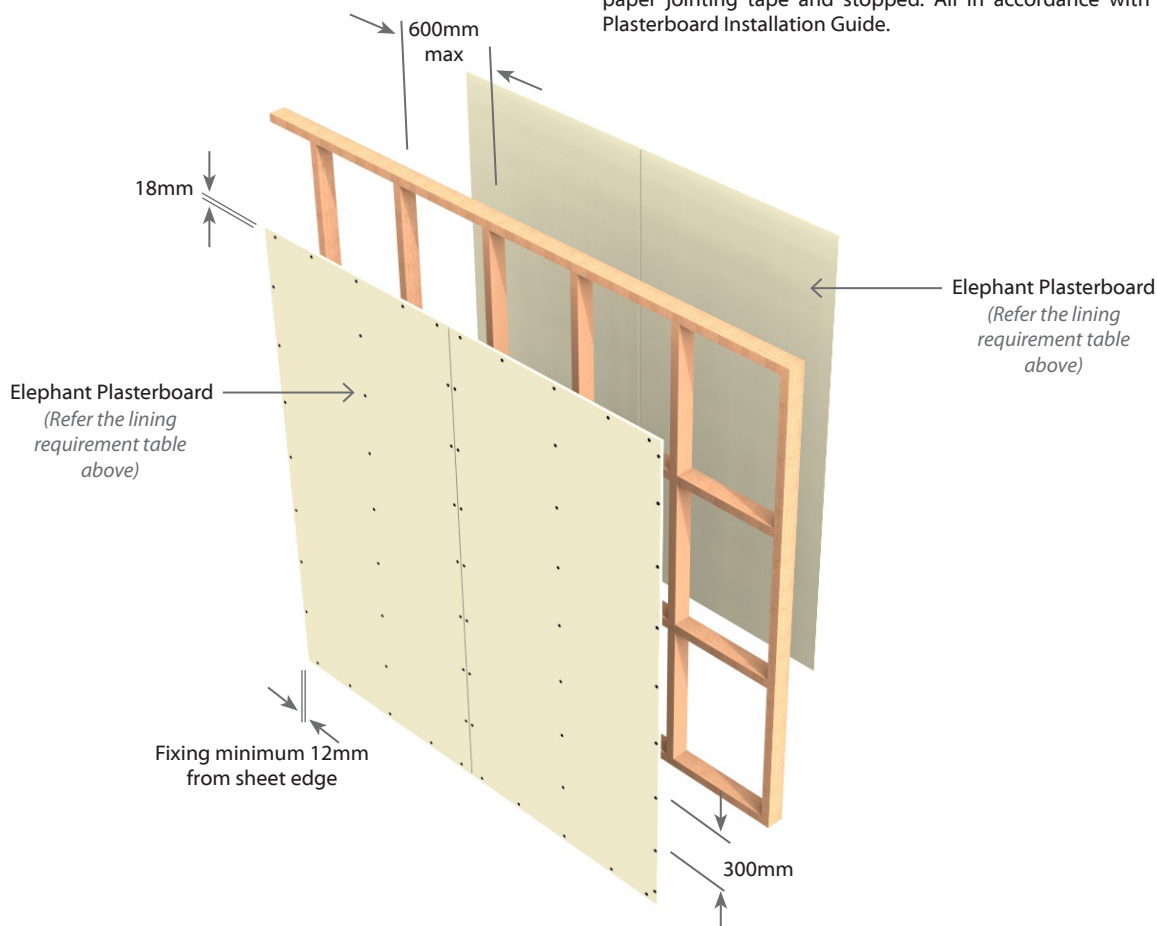
Place fasteners no closer than 12mm from the sheet edges and 18mm from sheet ends.

Place fasteners 50mm from sheet corners along the top and bottom plates. On end studs place additional fasteners 50-60mm vertically and no close than 10mm from plate to stud connections.

Place fasteners at 200mm centres where sheet end butt joints occur.

Jointing

All fastener heads stopped and all sheet joints reinforced with paper jointing tape and stopped. All in accordance with Elephant Plasterboard Installation Guide.



E4TL45

Single Timber Frame

Load Bearing

Two Way FRR

4 Layers: 2 Layers of Plasterboard to each side of frame

System Number	Lining Suffix	Fire Rating	Load Bearing Ability	Noise Control		Lining Requirement
				STC	Rw	
E4TL45	-S40	45/45/45	LB	42	41	2 x 10mm Elephant Standard on One side 2 x 10mm Elephant Standard to Other side

Framing

Framing to comply with relevant sections and clauses of NZBC B1: Structure and NZBC B2: Durability.
Studs at 600mm centres maximum.
Nogs at 1200mm centre maximum.

Wall Height, Load and Framing Dimensions

These are determined by NZS3604 stud tables for load bearing or non-load bearing partitions.

Plasterboard Lining

Two layers of 10mm Elephant Standard lining on each side of the timber framing. Vertical or Horizontal fixing permitted. Use full height or full length sheets where possible.

For Vertical Fixing- the vertical sheet joints must be offset on the opposite side of the frame and staggered between layers.

For Horizontal Fixing- the horizontal sheet joints on the opposite side of the frame can be formed over the same row of nogs and must be staggered between layers.

Optionally, inner layers can be fixed vertically and outer layers fixed horizontally.

Sheet end butt joints- must be formed over framing, offset from opposite side of the frame and staggered between layers.

All sheet joints must be fixed over solid timber framing.

Sheets shall be touch fitted.

Fixing of Linings

Fasteners

System Number	Side One		Side Two	
	1 st Layer	2 nd Layer	1 st Layer	2 nd Layer
High Thread Drywall Screws				
E4TL45-S40	10mm	10mm	10mm	10mm
	41 x 6g	51 x 7g	41 x 6g	51 x 7g

Fastener Centres

Inner Layer: Fix 600mm centres at sheet perimeters and on top and bottom plates. Fix at 600mm up each stud.

Outer Layer: Fix at 300mm centres at sheet perimeters and on top and bottom plates and 300mm centres up each stud.

Place fasteners no closer than 12mm from the sheet edges and 18mm from sheet ends.

Place fasteners 50mm from sheet corners along the top and bottom plates. On end studs place additional fasteners 50-60mm vertically and no close than 10mm from plate to stud connections.

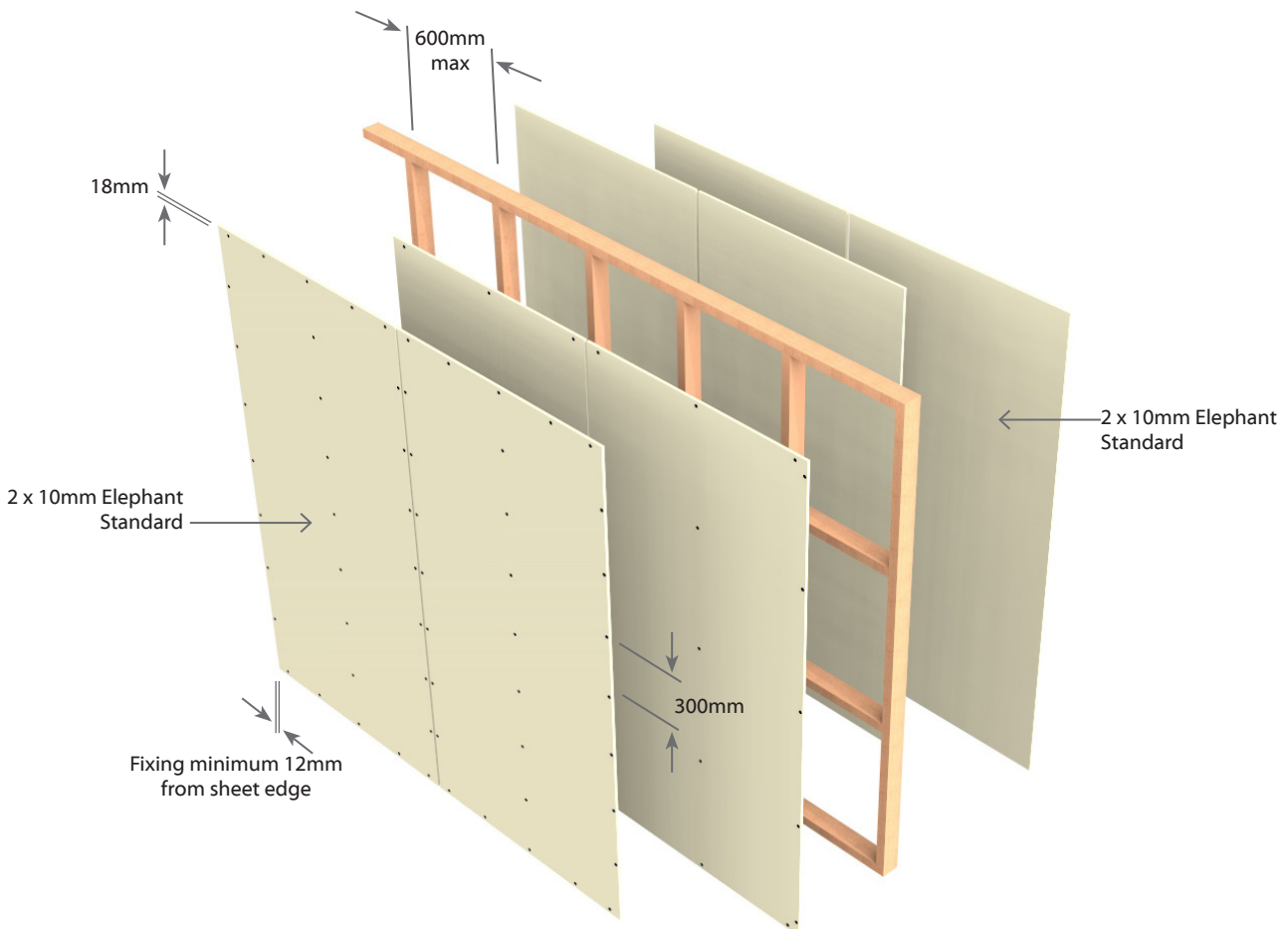
Place fasteners at 200mm centres where sheet end butt joints occur.

Avoid outer layer screws from hitting inner layer screws.

Jointing

Inner Layer: Unstopped

Outer Layer: All fastener heads stopped and all sheet joints reinforced with paper jointing tape and stopped. All in accordance with Elephant Plasterboard Installation Guide.



E4T60

Single Timber Frame

Non Load Bearing

Two Way FRR

4 Layers: 2 Layers of Plasterboard to each side of frame

System Number	Lining Suffix	Fire Rating	Load Bearing Ability	Noise Control		Lining Requirement
				STC	Rw	
E4T60	-S40	---/60/60	NLB	42	41	2 x 10mm Elephant Standard on One side 2 x 10mm Elephant Standard to Other side

Framing

Framing to comply with relevant sections and clauses of NZBC B1: Structure and NZBC B2: Durability.

Studs at 600mm centres maximum.

Nogs at 1200mm centre maximum.

Wall Height, Load and Framing Dimensions

These are determined by NZS3604 stud tables for non-load bearing partitions.

Plasterboard Lining

Two layers of 10mm Elephant Standard lining on each side of the timber framing. Vertical or Horizontal fixing permitted. Use full height or full length sheets where possible.

For Vertical Fixing- the vertical sheet joints must be offset on the opposite side of the frame and staggered between layers.

For Horizontal Fixing- the horizontal sheet joints on the opposite side of the frame can be formed over the same row of nogs and must be staggered between layers.

Optionally, inner layers can be fixed vertically and outer layers fixed horizontally.

Sheet end butt joints- must be formed over framing, offset from opposite side of the frame and staggered between layers.

All sheet joints must be fixed over solid timber framing.

Sheets shall be touch fitted.

Fixing of Linings

Fasteners

System Number	Side One		Side Two	
	1 st Layer	2 nd Layer	1 st Layer	2 nd Layer
E4T60-S40	High Thread Drywall Screws			
	10mm	10mm	10mm	10mm
	41 x 6g	51 x 7g	41 x 6g	51 x 7g

Fastener Centres

Inner Layer: Fix 600mm centres vertically up each stud and 600mm horizontally along top and bottom plate.

Outer Layer: Fix at 300mm centres at sheet perimeter and 300mm centres on all other studs.

Place fasteners no closer than 12mm from the sheet edges and 18mm from sheet ends.

Place fasteners 50mm from sheet corners along the top and bottom plates. On end studs place additional fasteners 50-60mm vertically and no close than 10mm from plate to stud connections.

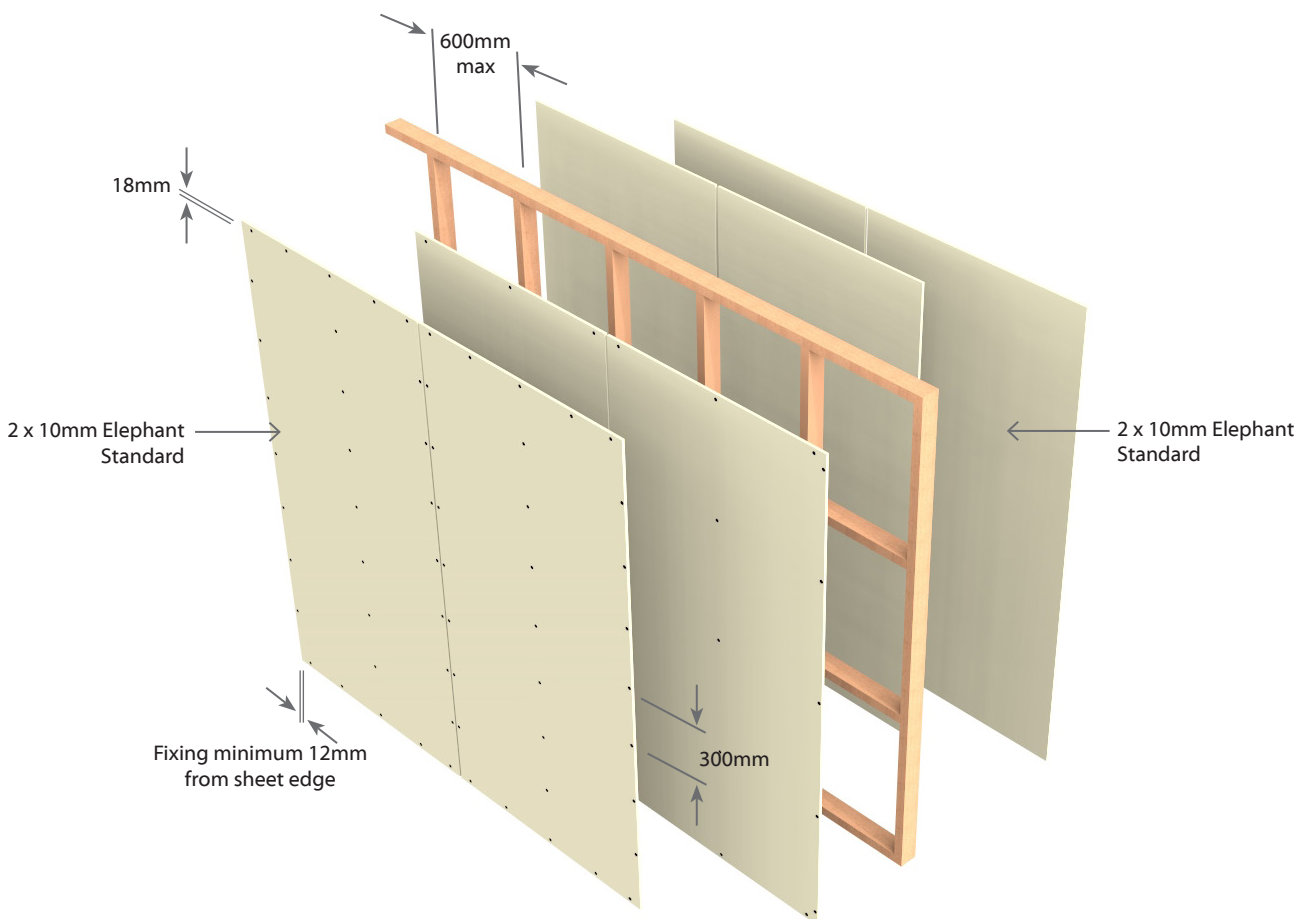
Place fasteners at 200mm centres where sheet end butt joints occur.

Avoid outer layer screws from hitting inner layer screws.

Jointing

Inner Layer: Unstopped

Outer Layer: All fastener heads stopped and all sheet joints reinforced with paper jointing tape and stopped. All in accordance with Elephant Plasterboard Installation Guide.



E2TL60

Single Timber Frame

Load Bearing

Two Way FRR

2 Layers: 1 Layers of Plasterboard to each side of frame

System Number	Lining Suffix	Fire Rating	Load Bearing Ability	Noise Control		Lining Requirement
				STC	Rw	
E2TL60	-M26	60/60/60	LB	38	37	1 x 13mm Elephant MultiSmart on One side 1 x 13mm Elephant MultiSmart to Other side

Framing

Framing to comply with relevant sections and clauses of NZBC B1: Structure and NZBC B2: Durability.

Studs at 600mm centres maximum.

Nogs at 1200mm centre maximum.

Wall Height, Load and Framing Dimensions

These are determined by NZS3604 stud tables for load bearing or non-load bearing partitions.

Plasterboard Lining

One layer of 13mm Elephant MultiSmart lining on each side of the timber framing. Vertical or Horizontal fixing permitted. Use full height or full length sheets where possible.

For Vertical Fixing- the vertical sheet joints must be offset on the opposite side of the frame.

For Horizontal Fixing- the horizontal sheet joints on the opposite side of the frame can be formed over the same row of nogs.

Sheet end butt joints- must be formed over framing, offset from opposite side of the frame.

All sheet joints must be fixed over solid timber framing.

Sheets shall be touch fitted.

Fixing of Linings

Fasteners

System Number	Side One	Side Two
	High Thread Drywall Screws	
E2TL60-M26	13mm	13mm
	41 x 6g	41 x 6g

Fastener Centres

Fix at 300mm centres at sheet perimeters and on top and bottom plates. And 300mm centres up all studs.

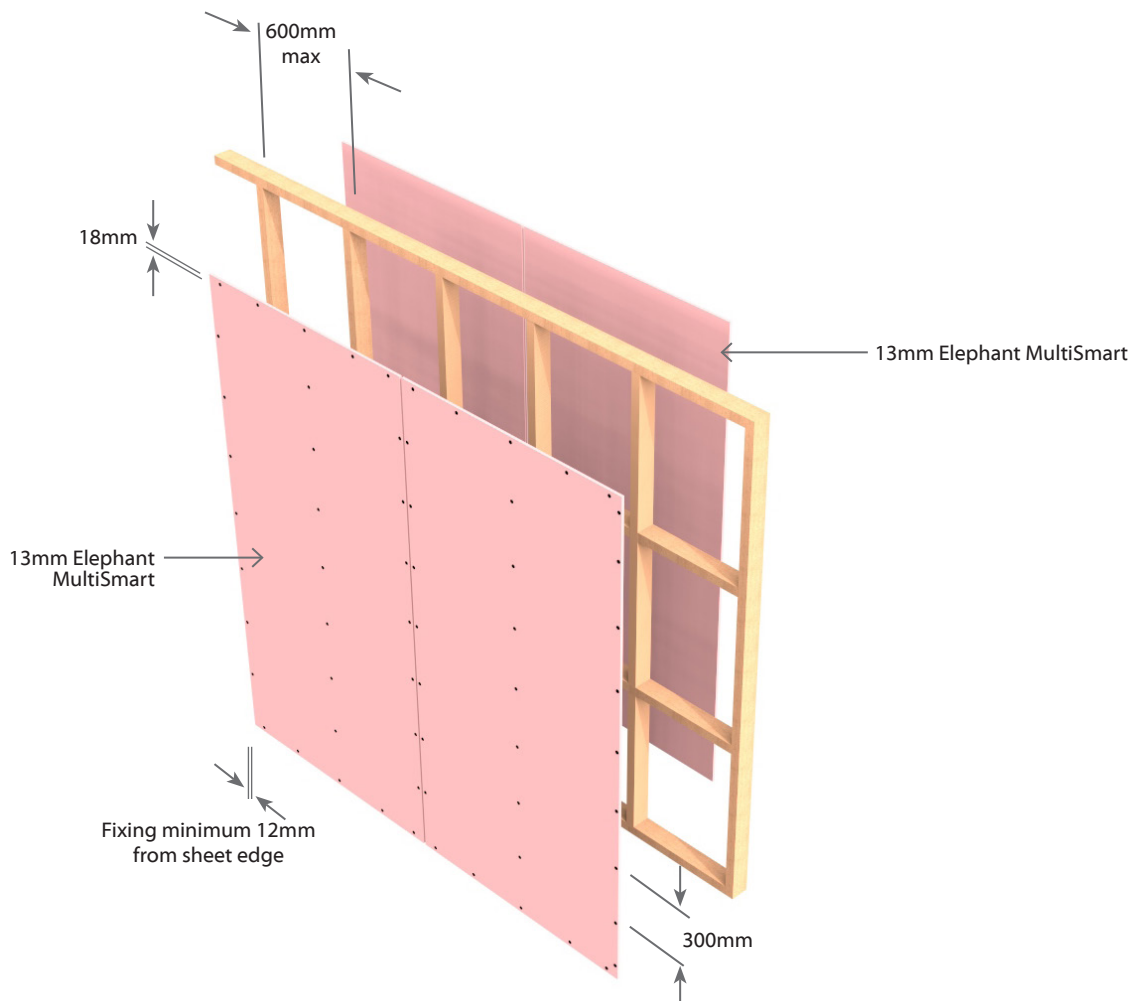
Place fasteners 50mm from sheet corners along the top and bottom plates. On end studs place additional fasteners 50-60mm vertically and no closer than 10mm from plate to stud connections.

Place fasteners no closer than 12mm from the sheet edges and 18mm from sheet ends.

Place fasteners at 200mm centres where sheet end butt joints occur.

Jointing

All fastener heads stopped and all sheet joints reinforced with paper jointing tape and stopped. All in accordance with Elephant Plasterboard Installation Guide.



4 Layers: 2 Layers of Plasterboard to each side of frame

System Number	Lining Suffix	Fire Rating	Load Bearing Ability	Noise Control		Lining Requirement
				STC	Rw	
E4TL60	-F40	60/60/60	LB	42	41	2 x 10mm Elephant FireSmart on One side 2 x 10mm Elephant FireSmart to Other side
	-S46	60/60/60	LB	42	41	1 x 10mm and 1 x 13mm Elephant Standard on One side 1 x 10mm and 1 x 13mm Elephant Standard on Other side
	-MS40	60/60/60	LB	42	41	1 x 10mm Standard and 1 x 10mm MultiSmart on One side 1 x 10mm Standard and 1 x 10mm MultiSmart on Other side
	-S52	60/60/60	LB	43	42	2 x 13mm Elephant Standard on One side 2 x 13mm Elephant Standard to Other side

Framing

Framing to comply with relevant sections and clauses of NZBC B1: Structure and NZBC B2: Durability.

Studs at 600mm centres maximum.

Nogs at 1200mm centre maximum.

Wall Height, Load and Framing Dimensions

These are determined by NZS3604 stud tables for load bearing or non-load bearing partitions.

Plasterboard Lining

Two layers of Elephant Plasterboard lining as per specified system above on each side of the timber framing. Vertical or Horizontal fixing permitted. Use full height or full length sheets where possible.

For Vertical Fixing- the vertical sheet joints must be offset on the opposite side of the frame and staggered between layers.

For Horizontal Fixing- the horizontal sheet joints on the opposite side of the frame can be formed over the same row of nogs and must be staggered between layers.

Optionally, inner layers can be fixed vertically and outer layers fixed horizontally.

Sheet end butt joints- must be formed over framing, offset from opposite side of the frame and staggered between layers.

All sheet joints must be fixed over solid timber framing.

Sheets shall be touch fitted.

Fixing of Linings

Fasteners (As per Specified System Above)

System Number	Side One		Side Two	
	1 st Layer	2 nd Layer	1 st Layer	2 nd Layer
	High Thread Drywall Screws			
E4TL60-F40	10mm	10mm	10mm	10mm
E4TL60-MS40	41 x 6g	51 x 7g	41 x 6g	51 x 7g
E4TL60-S46	10mm	13mm	10mm	13mm
	41 x 6g	51 x 7g	41 x 6g	51 x 7g
E4TL60-S52	13mm	13mm	13mm	13mm
	41 x 6g	51 x 7g	41 x 6g	51 x 7g

Fastener Centres

Inner Layer: Fix 600mm centres at sheet perimeters and on top and bottom plates. Fix at 600mm up each stud

Outer Layer: Fix at 300mm centres at sheet perimeters and on top and bottom plates and 300mm centres up each stud.

Place fasteners 50mm from sheet corners along the top and bottom plates. On end studs place additional fasteners 50-60mm vertically and no close than 10mm from plate to stud connections.

Place fasteners no closer than 12mm from the sheet edges and 18mm from sheet ends.

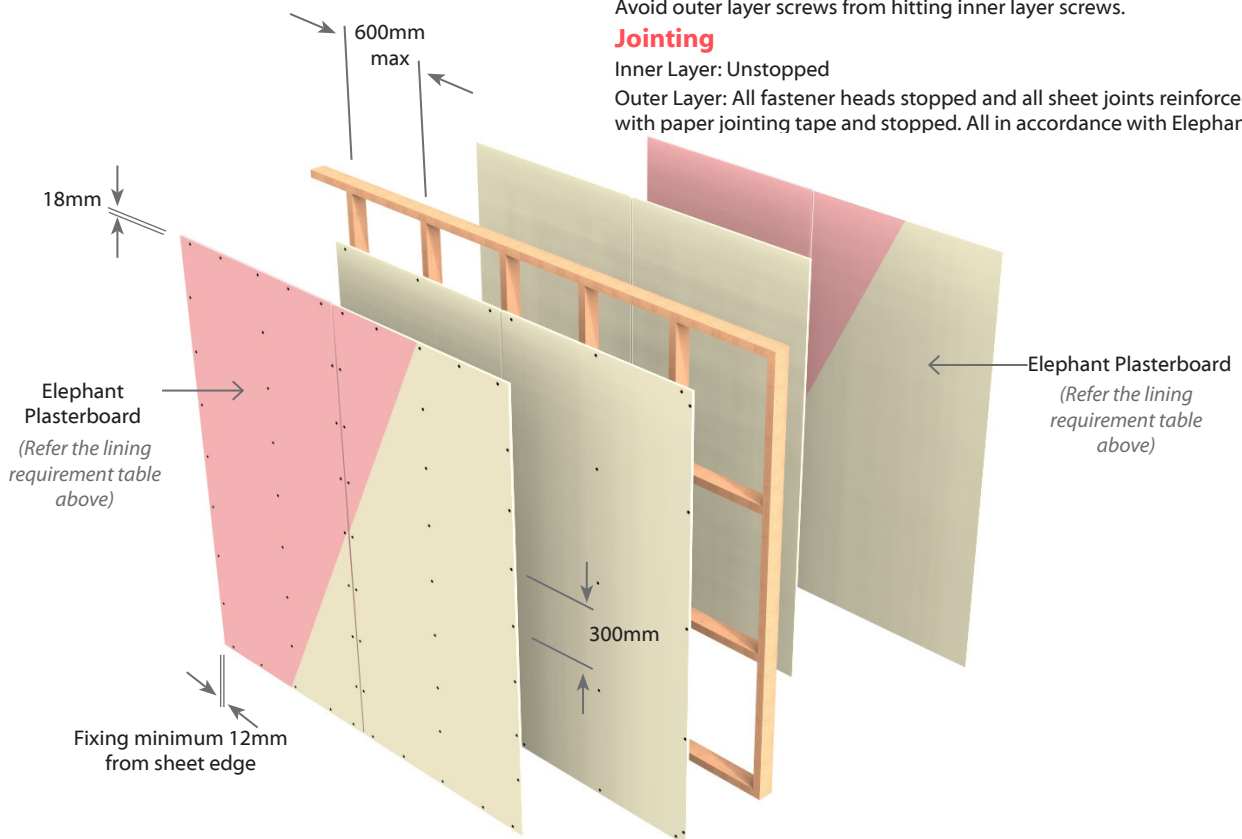
Place fasteners at 200mm centres where sheet end butt joints occur.

Avoid outer layer screws from hitting inner layer screws.

Jointing

Inner Layer: Unstopped

Outer Layer: All fastener heads stopped and all sheet joints reinforced with paper jointing tape and stopped. All in accordance with Elephant



2 Layers: 1 Layer of Plasterboard to each side of frame

System Number	Lining Suffix	Fire Rating	Load Bearing Ability	Noise Control		Lining Requirement
				STC	Rw	
E2TL75	-F32	75/75/75	LB	38	37	1 x 16mm Elephant FireSmart on One side 1 x 16mm Elephant FireSmart to Other side

Framing

Framing to comply with relevant sections and clauses of NZBC B1: Structure and NZBC B2: Durability.
Studs at 600mm centres maximum.
Nogs at 1200mm centre maximum.

Wall Height, Load and Framing Dimensions

These are determined by NZS3604 stud tables for load bearing or non-load bearing partitions.

Plasterboard Lining

One layer of 16mm Elephant FireSmart lining on each side of the timber framing. Vertical or Horizontal fixing permitted. Use full height or full length sheets where possible.

For Vertical Fixing- the vertical sheet joints must be offset on the opposite side of the frame.

For Horizontal Fixing- the horizontal sheet joints on the opposite side of the frame can be formed over the same row of nogs.

Sheet end butt joints- must be formed over framing, offset from opposite side of the frame.

All sheet joints must be fixed over solid timber framing.
Sheets shall be touch fitted.

Fixing of Linings

Fasteners

System Number	Side One	Side Two
	High Thread Drywall Screws	
E2TL75-F32	16mm	16mm
	51 x 7g	51 x 7g

Fastener Centres

Fix at 300mm centres around sheet perimeter and up all intermediate studs.

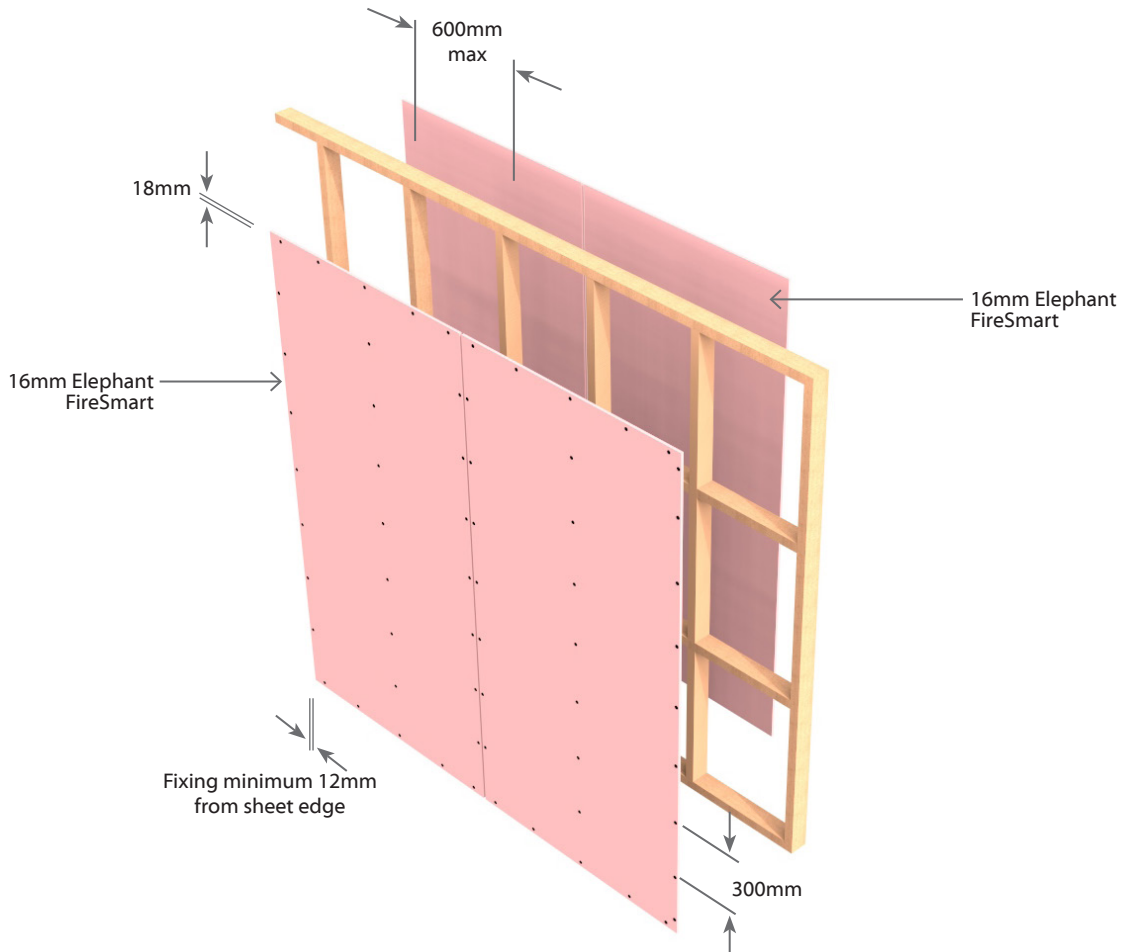
Place fasteners 50mm from sheet corners along the top and bottom plates. On end studs place additional fasteners 50-60mm vertically and no close than 10mm from plate to stud connections.

Place fasteners no closer than 12mm from the sheet edges and 18mm from sheet ends.

Place fasteners at 200mm centres where sheet end butt joints occur.

Jointing

All fastener heads stopped and all sheet joints reinforced with paper jointing tape and stopped. All in accordance with Elephant Plasterboard Installation Guide.



4 Layers: 2 Layers of Plasterboard to each side of frame

System Number	Lining Suffix	Fire Rating	Load Bearing Ability	Noise Control		Lining Requirement
				STC	Rw	
E4T90	-MS52	---/90/90	NLB	43	42	1 x 13mm Elephant MultiSmart and 1 x 13mm Standard on One side 1 x 13mm Elephant MultiSmart and 1 x 13mm Standard to Other side
	-M46	---/90/90	NLB	43	42	1 x 13mm Elephant MultiSmart and 1 x 10mm MultiSmart on One side 1 x 13mm Elephant MultiSmart and 1 x 10mm MultiSmart to Other side

Framing

Framing to comply with relevant sections and clauses of NZBC B1: Structure and NZBC B2: Durability.
Studs at 600mm centres maximum.
Nogs at 1200mm centre maximum.

Wall Height, Load and Framing Dimensions

These are determined by NZS3604 stud tables for non-load bearing partitions.

Plasterboard Lining

Two layers of Elephant Plasterboard lining as per specified system above on each side of the timber framing.

Vertical or Horizontal fixing permitted. Use full height or full length sheets where possible.

For Vertical Fixing- the vertical sheet joints must be offset on the opposite side of the frame and staggered between layers.

For Horizontal Fixing- the horizontal sheet joints on the opposite side of the frame can be formed over the same row of nogs and must be staggered between layers.

Optionally, inner layers can be fixed vertically and outer layers fixed horizontally.

Sheet end butt joints- must be formed over framing, offset from opposite side of the frame and staggered between layers.

All sheet joints must be fixed over solid timber framing.
Sheets shall be touch fitted.

Fixing of Linings

Fasteners

System Number	Side One		Side Two	
	1 st Layer	2 nd Layer	1 st Layer	2 nd Layer
	High Thread Drywall Screws			
E4T90-MS52	13mm	13mm	13mm	13mm
	41 x 6g	51 x 7g	41 x 6g	51 x 7g
E4T90-M46	13mm	10mm	13mm	10mm
	41 x 6g	51 x 7g	41 x 6g	51 x 7g

Fastener Centres

Inner Layer: Fix 600mm centres vertically up each stud and 600mm horizontally along top and bottom plate.

Outer Layer: Fix at 300mm centres at sheet perimeter and 300mm centres on all other studs.

Place fasteners 50mm from sheet corners along the top and bottom plates. On end studs place additional fasteners 50-60mm vertically and no closer than 10mm from plate to stud connections.

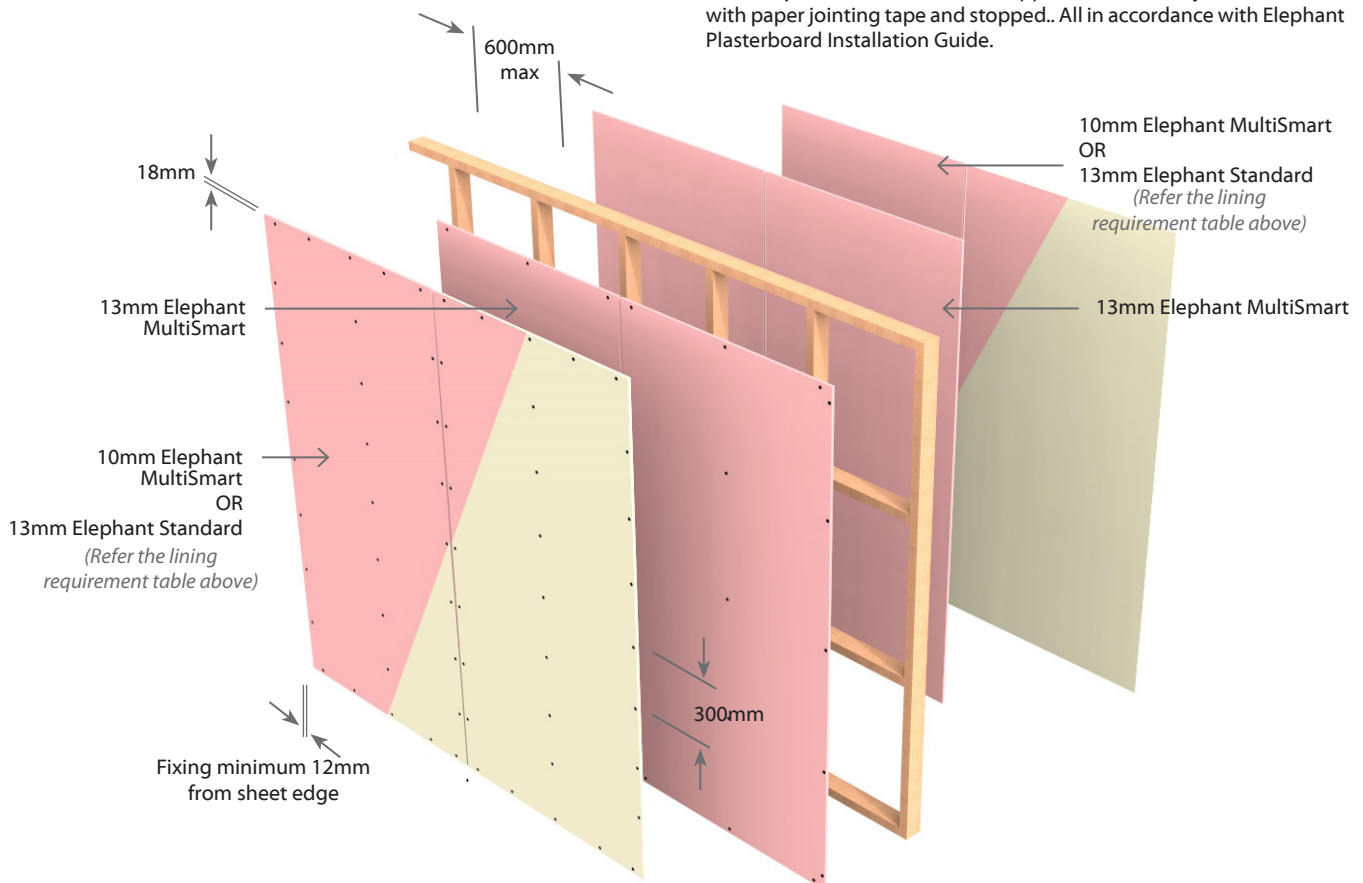
Place fasteners no closer than 12mm from the sheet edges and 18mm from sheet ends.

Place fasteners at 200mm centres where sheet end butt joints occur. Avoid outer layer screws from hitting inner layer screws.

Jointing

Inner Layer: Unstopped

Outer Layer: All fastener heads stopped and all sheet joints reinforced with paper jointing tape and stopped.. All in accordance with Elephant Plasterboard Installation Guide.



E4TL90

Single Timber Frame

Load Bearing

Two Way FRR

4 Layers: 2 Layers of Plasterboard to each side of frame

System Number	Lining Suffix	Fire Rating	Load Bearing Ability	Noise Control		Lining Requirement
				STC	Rw	
E4TL90	-M52	90/90/90	LB	45	44	2 x 13mm Elephant MultiSmart on One side 2 x 13mm Elephant MultiSmart to Other side

Framing

Framing to comply with relevant sections and clauses of NZBC B1: Structure and NZBC B2: Durability.

Studs at 600mm centres maximum.

Nogs at 1200mm centre maximum.

Wall Height, Load and Framing Dimensions

These are determined by NZS3604 stud tables for load bearing or non-load bearing partitions.

Plasterboard Lining

Two layers of 13mm Elephant MultiSmart lining on each side of the timber framing. Vertical or Horizontal fixing permitted. Use full height or full length sheets where possible.

For Vertical Fixing- the vertical sheet joints must be offset on the opposite side of the frame and staggered between layers.

For Horizontal Fixing- the horizontal sheet joints on the opposite side of the frame can be formed over the same row of nogs and must be staggered between layers.

Optionally, inner layers can be fixed vertically and outer layers fixed horizontally.

Sheet end butt joints- must be formed over framing, offset from opposite side of the frame and staggered between layers.

All sheet joints must be fixed over solid timber framing.

Sheets shall be touch fitted.

Fixing of Linings

Fasteners

System Number	Side One		Side Two	
	1 st Layer	2 nd Layer	1 st Layer	2 nd Layer
E4TL90-M52	High Thread Drywall Screws			
	13mm 41 x 6g	13mm 51 x 7g	13mm 41 x 6g	13mm 51 x 7g

Fastener Centres

Inner Layer: Fix 600mm centres at sheet perimeters and on top and bottom plates. Fix at 600mm up each stud.

Outer Layer: Fix at 300mm centres at sheet perimeters and on top and bottom plates and 300mm centres up each stud.

Place fasteners 50mm from sheet corners along the top and bottom plates. On end studs place additional fasteners 50-60mm vertically and no close than 10mm from plate to stud connections.

Place fasteners no closer than 12mm from the sheet edges and 18mm from sheet ends.

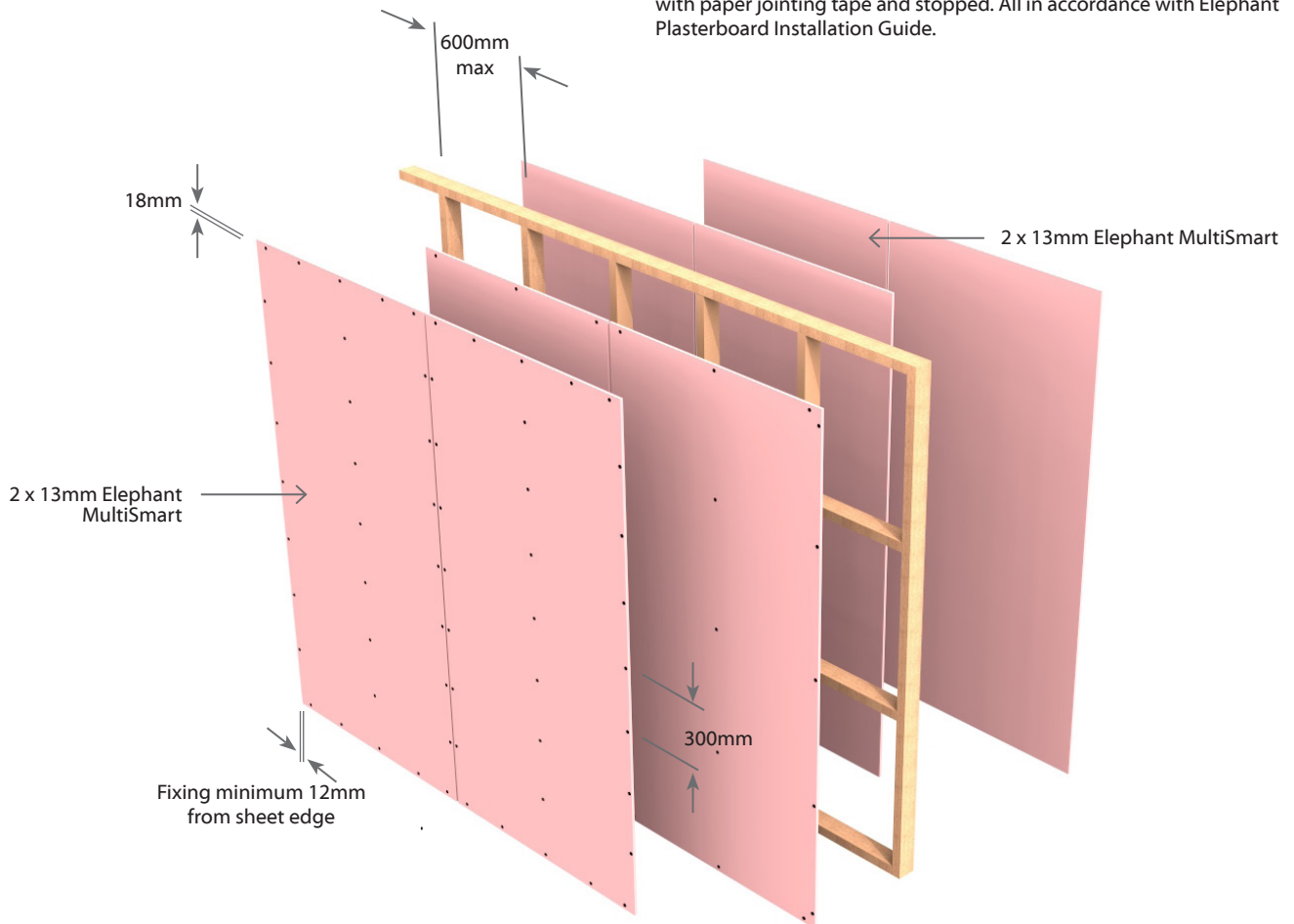
Place fasteners at 200mm centres where sheet end butt joints occur.

Avoid outer layer screws from hitting inner layer screws.

Jointing

Inner Layer: Unstopped

Outer Layer: All fastener heads stopped and all sheet joints reinforced with paper jointing tape and stopped. All in accordance with Elephant Plasterboard Installation Guide.



4 Layers: 2 Layers of Plasterboard to each side of frame

System Number	Lining Suffix	Fire Rating	Load Bearing Ability	Noise Control		Lining Requirement
				STC	Rw	
E4T105	-M52	105/105/105	LB	44	43	2 x 13mm Elephant MultiSmart on One side 2 x 13mm Elephant MultiSmart to Other side

Framing

Framing to comply with relevant sections and clauses of NZBC B1: Structure and NZBC B2: Durability.

Studs at 600mm centres maximum.

Nogs at 1200mm centre maximum.

Wall Height, Load and Framing Dimensions

These are determined by NZS3604 stud tables for load bearing or non-load bearing partitions.

Plasterboard Lining

Two layers of 13mm Elephant MultiSmart lining on each side of the timber framing. Vertical or Horizontal fixing permitted. Use full height or full length sheets where possible.

For Vertical Fixing- the vertical sheet joints must be offset on the opposite side of the frame and staggered between layers.

For Horizontal Fixing- the horizontal sheet joints on the opposite side of the frame can be formed over the same row of nogs and must be staggered between layers.

Optionally, inner layers can be fixed vertically and outer layers fixed horizontally.

Sheet end butt joints- must be formed over framing, offset from opposite side of the frame and staggered between layers.

All sheet joints must be fixed over solid timber framing.

Sheets shall be touch fitted.

Fixing of Linings

Fasteners

System Number	Side One		Side Two	
	1 st Layer	2 nd Layer	1 st Layer	2 nd Layer
E4TL105-M52	High Thread Drywall Screws			
	13mm 41 x 6g	13mm 51 x 7g	13mm 41 x 6g	13mm 51 x 7g

Fastener Centres

Inner Layer: Fix 600mm centres at sheet perimeters and on top and bottom plates. Fix at 600mm up each stud.

Outer Layer: Fix at 300mm centres at sheet perimeters and on top and bottom plates and 300mm centres up each stud.

Place fasteners 50mm from sheet corners along the top and bottom plates. On end studs place additional fasteners 50-60mm vertically and no close than 10mm from plate to stud connections.

Place fasteners no closer than 12mm from the sheet edges and 18mm from sheet ends.

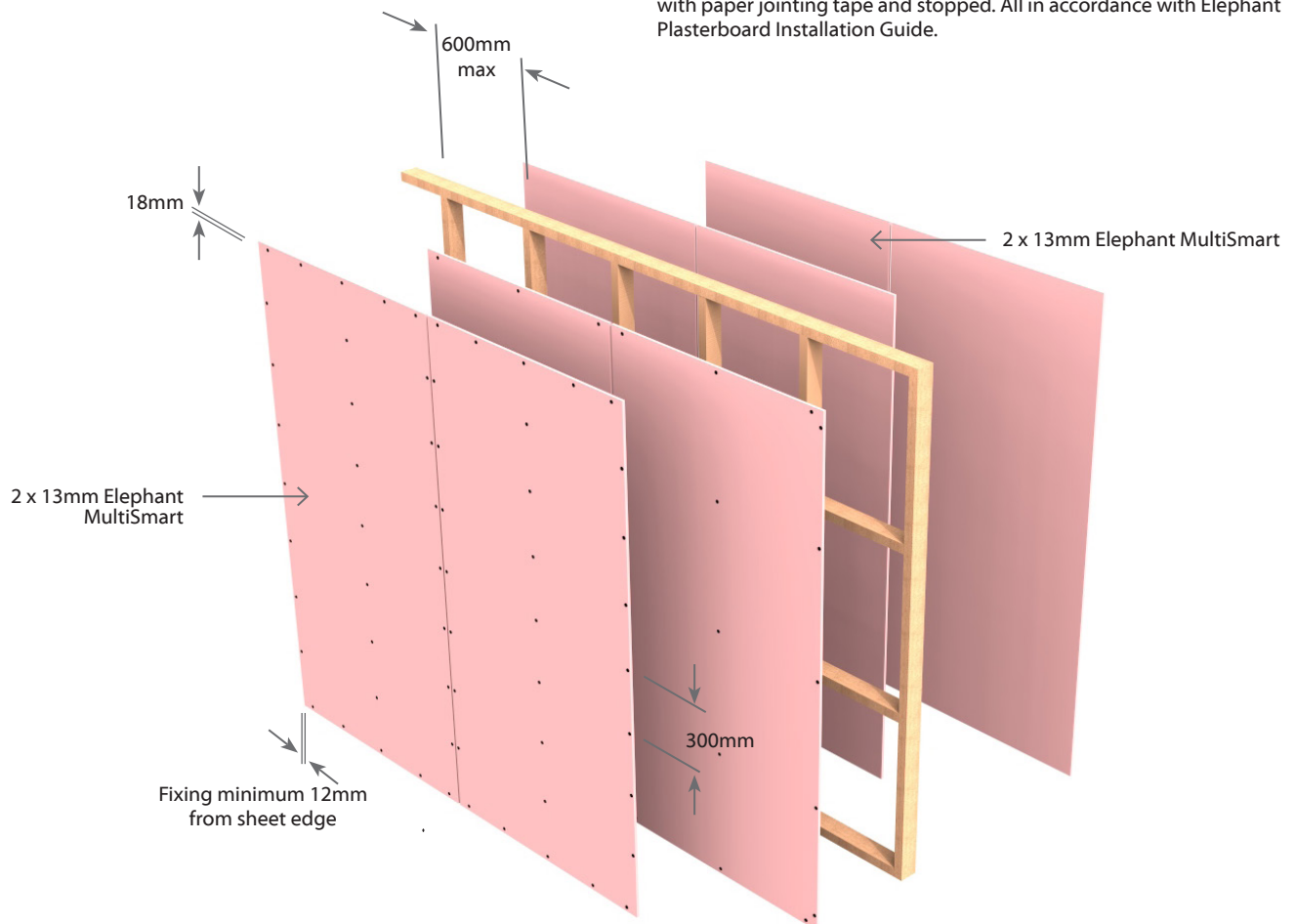
Place fasteners at 200mm centres where sheet end butt joints occur.

Avoid outer layer screws from hitting inner layer screws.

Jointing

Inner Layer: Unstopped

Outer Layer: All fastener heads stopped and all sheet joints reinforced with paper jointing tape and stopped. All in accordance with Elephant Plasterboard Installation Guide.



4 Layers: 2 Layers of Plasterboard to each side of frame

System Number	Lining Suffix	Fire Rating	Load Bearing Ability	Noise Control		Lining Requirement
				STC	Rw	
E4T120	-FM58	---/120/120	NLB	46	45	1 x 16mm FireSmart and 1 x 13mm Elephant MultiSmart on One side 1 x 16mm FireSmart and 1 x 13mm Elephant MultiSmart to Other side

Framing
 Framing to comply with relevant sections and clauses of NZBC B1: Structure and NZBC B2: Durability.
 Studs at 600mm centres maximum.
 Nogs at 800mm centre maximum.

Wall Height, Load and Framing Dimensions
 These are determined by NZS3604 stud tables for non-load bearing partitions.

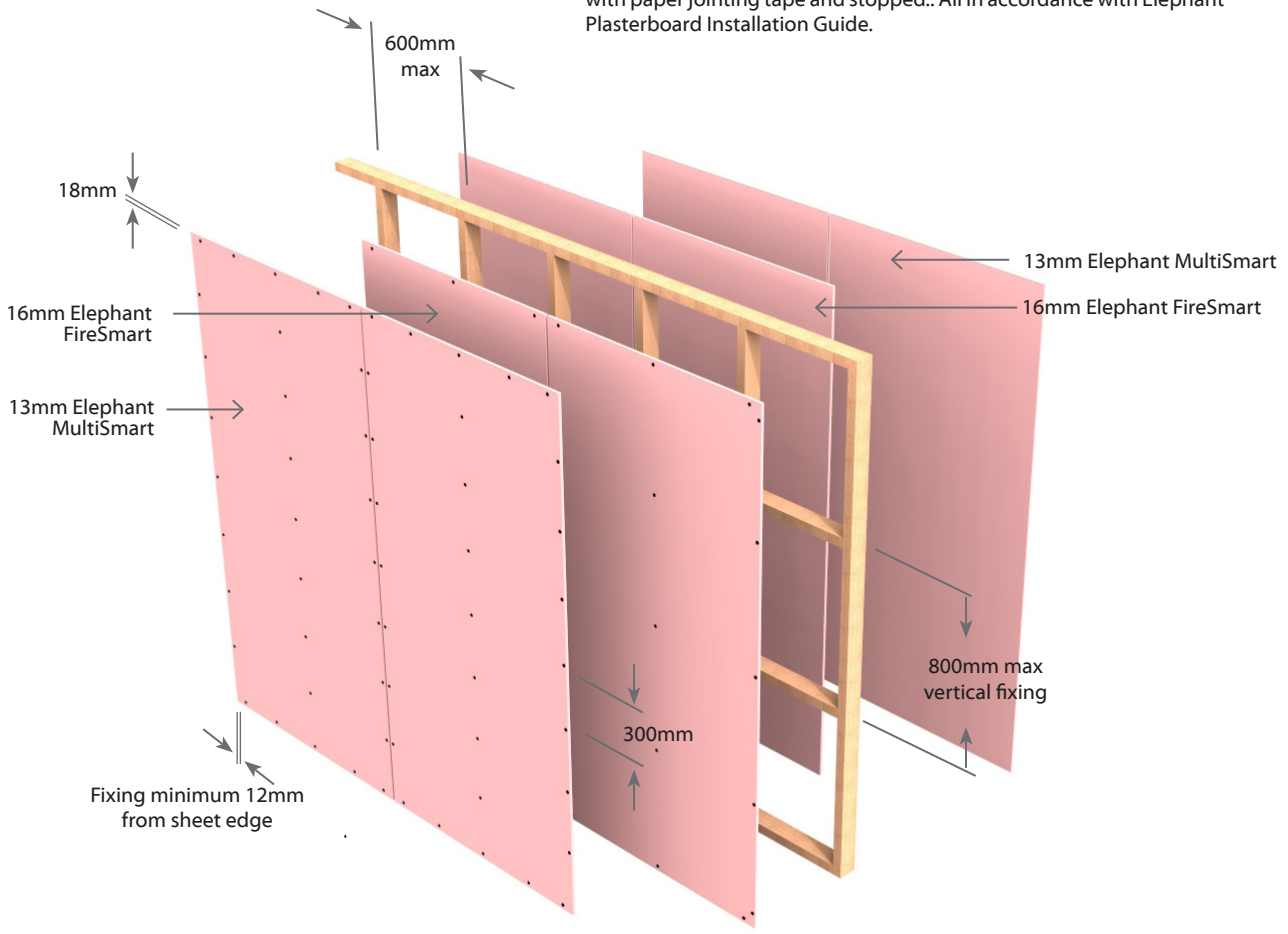
Plasterboard Lining
 One layer of 16mm Elephant FireSmart & One layer of 13mm Elephant MultiSmart lining on each side of the timber framing.
 Vertical fixing only permitted. Use full height sheets where possible.
Vertical Fixing- the vertical sheet joints must be offset on the opposite side of the frame and staggered between layers.
Sheet end butt joints- must be formed over framing, offset from opposite side of the frame and staggered between layers.
 All sheet joints must be fixed over solid timber framing.
 Sheets shall be touch fitted.

Fixing of Linings Fasteners

System Number	Side One		Side Two	
	1 st Layer	2 nd Layer	1 st Layer	2 nd Layer
E4T120-FM58	High Thread Drywall Screws			
	16mm	13mm	16mm	13mm
	41 x 6g	51 x 7g	41 x 6g	51 x 7g

Fastener Centres
 Inner Layer: Fix 600mm centres vertically up each stud and 600mm horizontally along top and bottom plate.
 Outer Layer: Fix at 300mm centres at sheet perimeter and 300mm centres on all other studs.
 Place fasteners 50mm from sheet corners along the top and bottom plates. On end studs place additional fasteners 50-60mm vertically and no close than 10mm from plate to stud connections.
 Place fasteners no closer than 12mm from the sheet edges and 18mm from sheet ends.
 Place fasteners at 200mm centres where sheet end butt joints occur.
 Avoid outer layer screws from hitting inner layer screws.

Jointing
 Inner Layer: Unstopped
 Outer Layer: All fastener heads stopped and all sheet joints reinforced with paper jointing tape and stopped.. All in accordance with Elephant Plasterboard Installation Guide.



E6TL120

Single Timber Frame

Load Bearing

Two Way FRR

6 Layers: 3 Layers of Plasterboard to each side of frame

System Number	Lining Suffix	Fire Rating	Load Bearing Ability	Noise Control		Lining Requirement
				STC	Rw	
E6TL120	-M78	120/120/120	LB	44	43	3 x 13mm Elephant MultiSmart on One side 3 x 13mm Elephant MultiSmart to Other side

Framing

Framing to comply with relevant sections and clauses of NZBC B1: Structure and NZBC B2: Durability.
Studs at 600mm centres maximum.
Nogs at 800mm centre maximum.

Wall Height, Load and Framing Dimensions

These are determined by NZS3604 stud tables for load bearing or non-load bearing partitions.

Plasterboard Lining

Three layers of 13mm Elephant MultiSmart lining on each side of the timber framing.

Vertical fixing only permitted. Use full height sheets where possible.

Vertical Fixing- the vertical sheet joints must be offset on the opposite side of the frame and staggered between layers.

Sheet end butt joints- must be formed over framing, offset from opposite side of the frame and staggered between layers.

All sheet joints must be fixed over solid timber framing.
Sheets shall be touch fitted.

Fixing of Linings

Fasteners

System Number	1 st Layer	2 nd Layer	3 rd Layer
		High Thread Drywall Screws	
E6TL120-M78	13mm	13mm	13mm
	41 x 6g	51 x 7g	63 x 8g

Fastener Centres

1st and 2nd Layer: Fix 600mm centres at sheet perimeters and on top and bottom plates. Fix at 600mm up each stud

3rd Layer: Fix at 300mm centres at sheet perimeters and on top and bottom plates and 300mm centres up each stud.

Place fasteners 50mm from sheet corners along the top and bottom plates. On end studs place additional fasteners 50-60mm vertically and no close than 10mm from plate to stud connections.

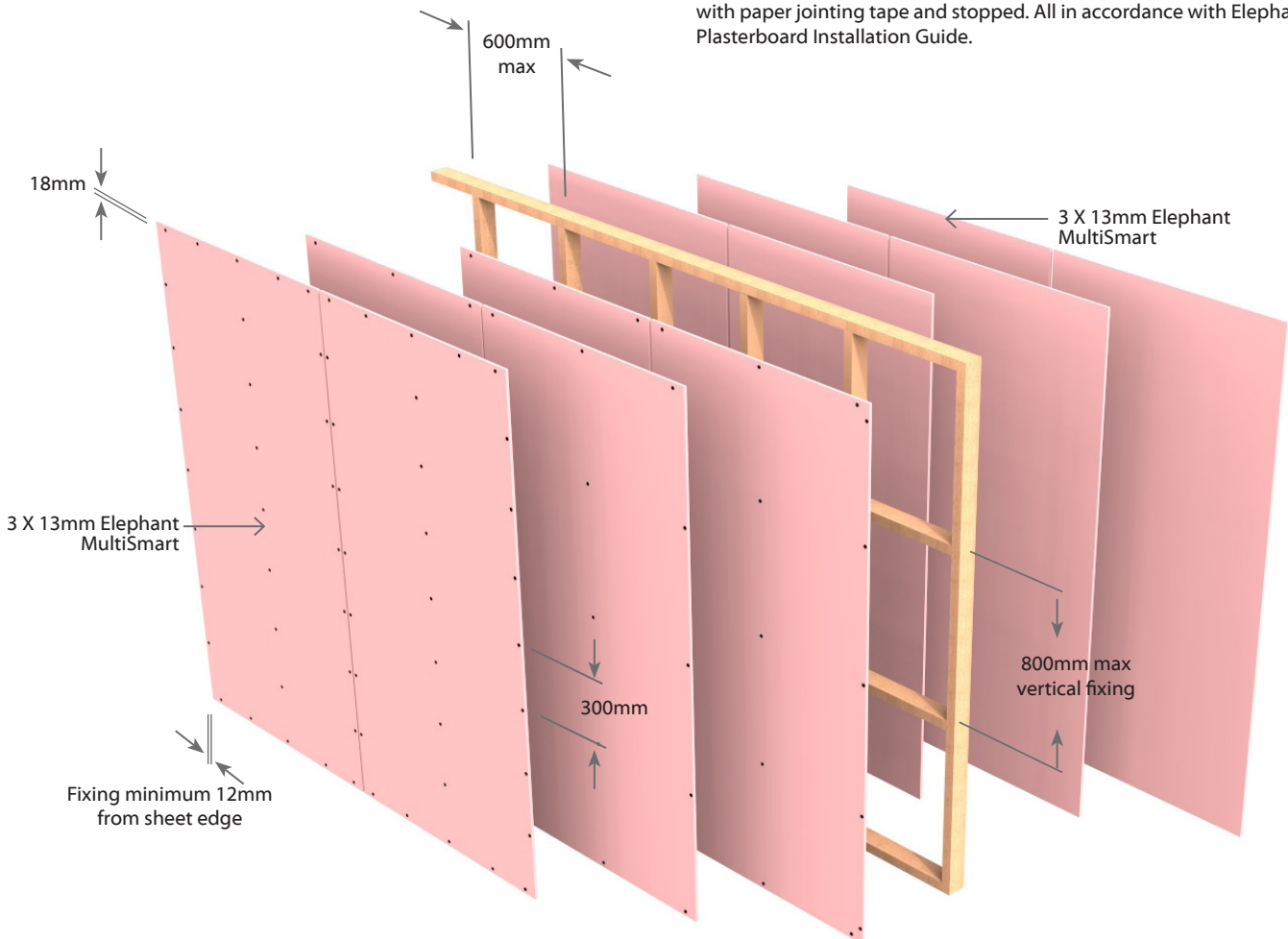
Place fasteners no closer than 12mm from the sheet edges and 18mm from sheet ends.

Place fasteners at 200mm centres where sheet end butt joints occur.
Avoid outer layer screws from hitting inner layer screws.

Jointing

1st and 2nd Layer: Unstopped

3rd Layer: All fastener heads stopped and all sheet joints reinforced with paper jointing tape and stopped. All in accordance with Elephant Plasterboard Installation Guide.



EBV1TL30

Single Timber Frame with Brick Veneer

Load Bearing

Two Way FRR

1 Layer: 1 Layer of Plasterboard to one side of frame & Brick Veneer to the other side of the frame

System Number	Lining Suffix	Fire Rating	Load Bearing Ability	Noise Control		Lining Requirement
				STC	Rw	
EBV1TL30	-F10	30/30/30	LB	46	45	1 x 10mm Elephant FireSmart on One side Brick Veneer to Other side
EBV1TL30	-S13	30/30/30	LB	46	45	1 x 13mm Elephant Standard on One side Brick Veneer to Other side

Framing

Framing to comply with relevant sections and clauses of NZBC B1: Structure and NZBC B2: Durability.
Studs at 600mm centres maximum.
Nogs at 1200mm centre maximum.

Wall Height, Load and Framing Dimensions

These are determined by NZS3604 stud tables for load bearing or non-load bearing partitions.
Minimum stud dimension 90 x 35mm
Maximum stud height not exceeding 3.0m.
For higher stud heights consult brick manufacturers.

Brick Veneer

Brick veneer must comply to AS/NZS 4456 and AS/NZS 4455 with minimum thickness of 70mm. Brick Manufacturer must demonstrate minimum 60 minutes fire resistance.
Brick veneer cladding installed as per manufacturer's technical specification and relevant NZ Standards.

Cavity Insulation

Fill wall cavity between studs and nogs with 1 layer of 90mm thick R2.2 glass wool insulation.

Plasterboard Lining

One layer of Elephant Plasterboard lining as per specified system above on one side of the timber framing.
Vertical or Horizontal fixing permitted. Use full height or full length sheets where possible.
Sheet end butt joints- must be formed over framing.
All sheet joints must be fixed over solid timber framing.
Sheets shall be touch fitted.

Fixing of Linings

Fasteners (As per Specified System Above)

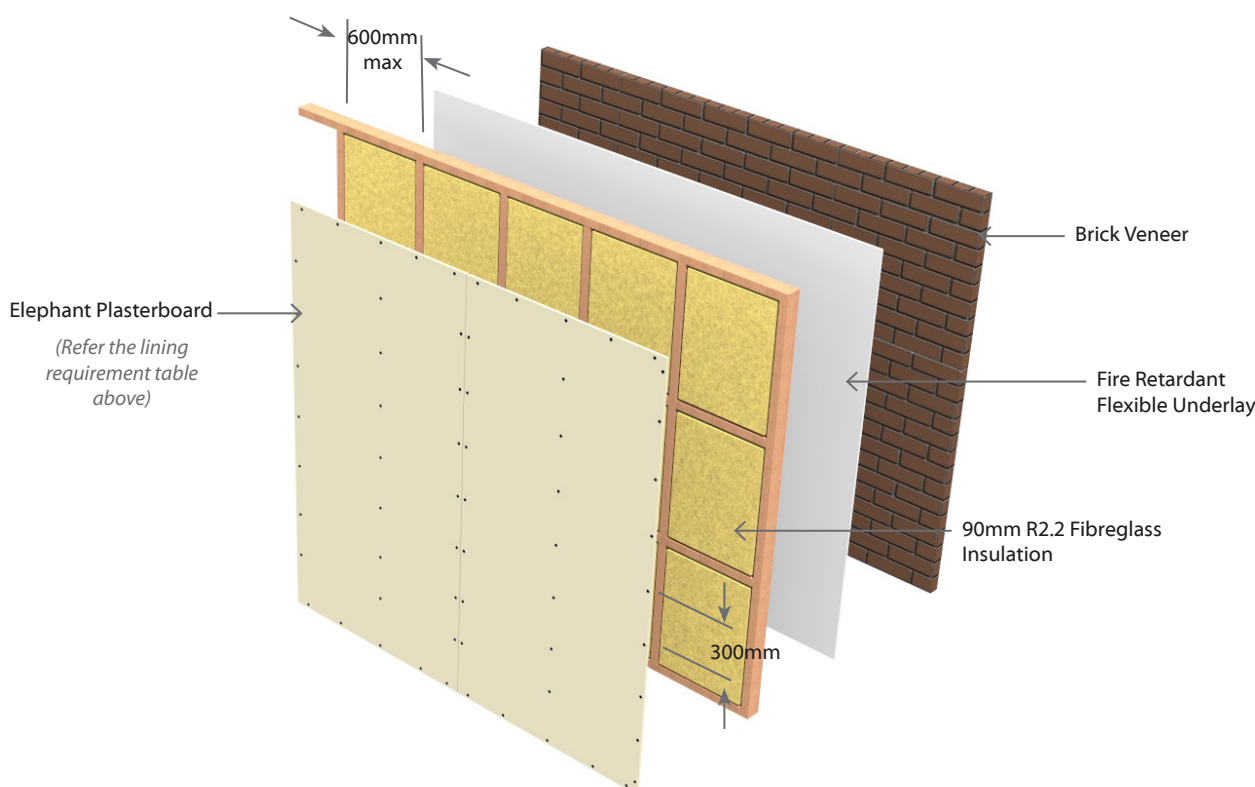
System Number	Single Layer
	High Thread Drywall Screws
EBV1TL30-F10	10mm
	41 x 6g
EBV1TL30-S13	13mm
	41 x 6g

Fastener Centres

Fix at 300mm centres at sheet perimeters, on top and bottom plates and 300mm centres up all studs.
Place fasteners no closer than 12mm from the sheet edges and 18mm from sheet ends.
Place fasteners 50mm from sheet corners along the top and bottom plates. On end studs place additional fasteners 50-60mm vertically and no close than 10mm from plate to stud connections.
Place fasteners at 200mm centres where sheet end butt joints occur.

Jointing

All fastener heads stopped and all sheet joints reinforced with paper jointing tape and stopped. All in accordance with Elephant Plasterboard Installation Guide.



1 Layer: 1 Layer of Plasterboard to one side of frame & Brick Veneer to the other side of the frame

System Number	Lining Suffix	Fire Rating	Load Bearing Ability	Noise Control		Lining Requirement
				STC	Rw	
EBV1TL60	-M13	60/60/60	LB	46	45	1 x 13mm Elephant MultiSmart on One side Brick Veneer to Other side

Framing

Framing to comply with relevant sections and clauses of NZBC B1: Structure and NZBC B2: Durability.
Studs at 600mm centres maximum.
Nogs at 1200mm centre maximum.

Wall Height, Load and Framing Dimensions

These are determined by NZS3604 stud tables for load bearing or non-load bearing partitions.
Minimum stud dimension 90 x 35mm
Maximum stud height not exceeding 3.0m.
For higher stud heights consult brick manufacturers.

Brick Veneer

Brick veneer must comply to AS/NZS 4456 and AS/NZS 4455 with minimum thickness of 70mm. Brick Manufacturer must demonstrate minimum 60 minutes fire resistance.
Brick veneer cladding installed as per manufacturer's technical specification and relevant NZ Standards.

Cavity Insulation

Fill wall cavity between studs and nogs with 1 layer of 90mm thick R2.2 glass wool insulation.

Plasterboard Lining

One layer of 13mm Elephant MultiSmart lining on one side of the timber framing.
Vertical or Horizontal fixing permitted. Use full height or full length sheets where possible.
Sheet end butt joints- must be formed over framing.
All sheet joints must be fixed over solid timber framing.
Sheets shall be touch fitted.

Fixing of Linings

Fasteners

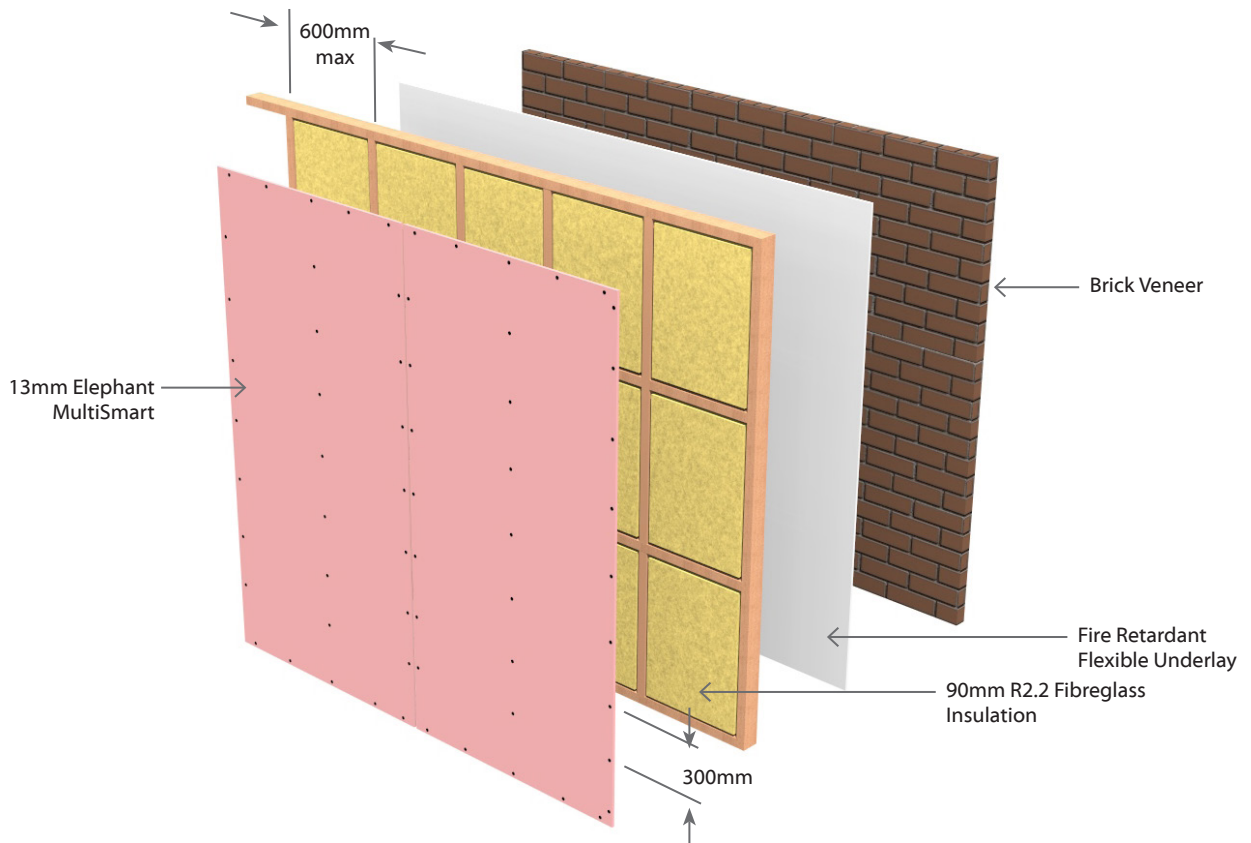
System Number	Single Layer
	High Thread Drywall Screws
EBV1TL60-M13	13mm
	41 x 6g

Fastener Centres

Fix at 300mm centres at sheet perimeters, on top and bottom plates and 300mm centres up all studs.
Place fasteners no closer than 12mm from the sheet edges and 18mm from sheet ends.
Place fasteners 50mm from sheet corners along the top and bottom plates. On end studs place additional fasteners 50-60mm vertically and no close than 10mm from plate to stud connections.
Place fasteners at 200mm centres where sheet end butt joints occur.

Jointing

All fastener heads stopped and all sheet joints reinforced with paper jointing tape and stopped. All in accordance with Elephant Plasterboard Installation Guide.



Fire Rated Steel Frame Walls



2 Layers: 1 Layer of Plasterboard to each side of frame

System Number	Lining Suffix	Fire Rating	Load Bearing Ability	Noise Control		Lining Requirement
				STC	Rw	
E2SL15	-S26	15/15/15	LB	35	34	1 x 13mm Elephant Standard on One side 1 x 13mm Elephant Standard to Other side

Framing

Any steel frame designed to meet structural criteria for strength and serviceability under dead and live loads. Stud width shall be 35mm minimum. Stud spacing at 600 centres maximum. Frame heights as determined by specific design.

Plasterboard Lining

One layer of 13mm Elephant Standard lining on each side of the steel framing. Vertical or Horizontal fixing permitted. Use full height or full length sheets where possible.

For Vertical Fixing- the vertical sheet joints must be offset on the opposite side of the frame.

For Horizontal Fixing- the horizontal sheet joints must be formed over nogs and must be offset on the other side of the frame.

Sheet end butt joints- must be formed over framing and staggered. Offset joints from opposite side of the frame.

All sheet joints must be formed over framing.

The layers are fixed hard to the floor.

Sheets shall be touch fitted.

Fixing of Linings

Fasteners

System Number	Side One	Side Two
	Single Layer	
Self-Tapping Drywall Screws		
E2SL15-S26	13mm	13mm
	25 x 6g	25 x 6g

Fastener Centres

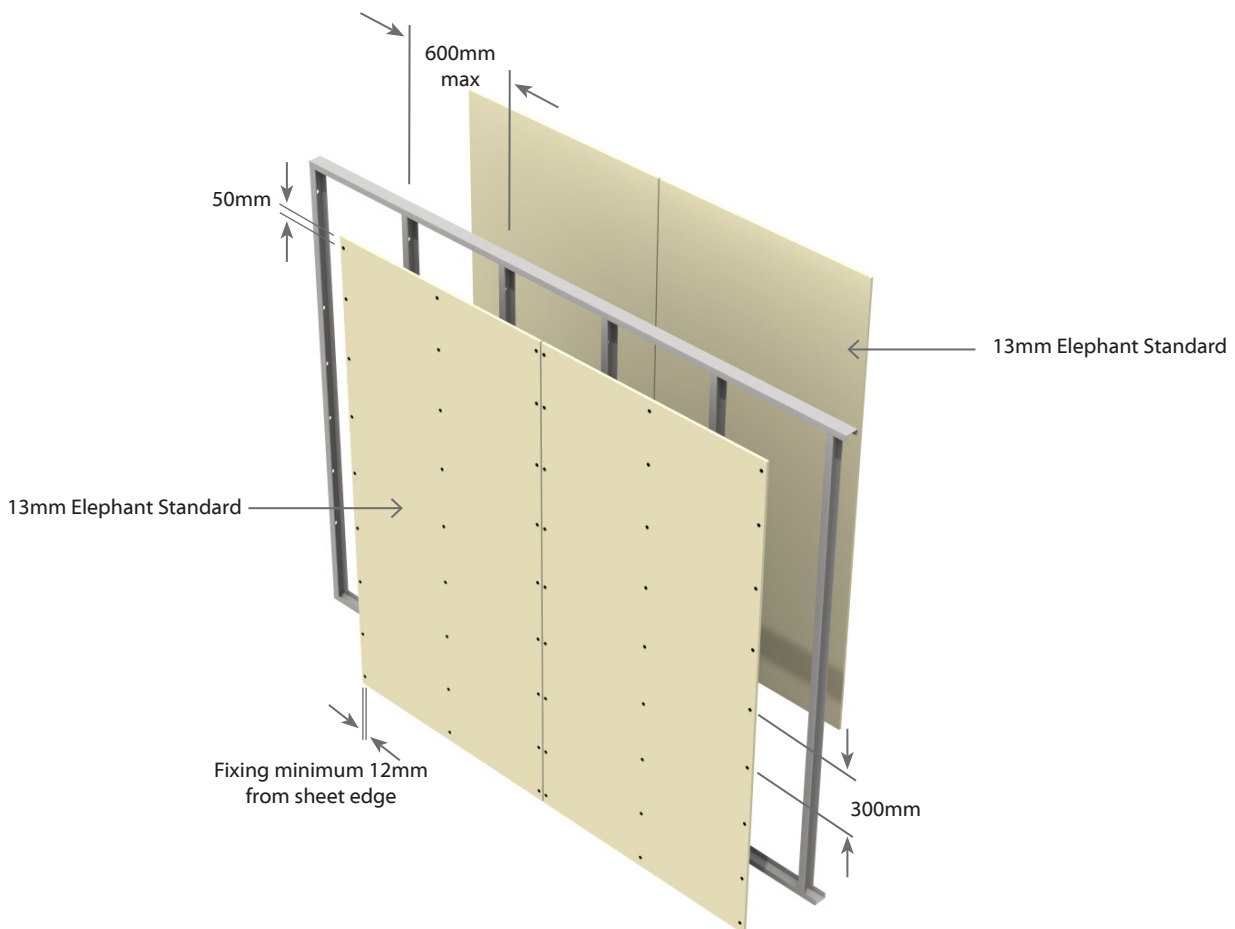
Fix at 300mm centres up each stud with no fixing to top and bottom track sections.

Place fasteners no closer than 12mm to the sheet edge and 50mm from sheet ends.

Place fasteners at 200mm centres where sheet end butt joints occur.

Jointing

All fastener heads stopped and all sheet joints reinforced with paper jointing tape and stopped. All in accordance with the Elephant Plasterboard Installation Guide.



E2S30

Single Steel Frame

Non Load Bearing

Two Way FRR

2 Layers: 1 Layer of Plasterboard to each side of frame

System Number	Lining Suffix	Fire Rating	Load Bearing Ability	Noise Control		Lining Requirement
				STC	Rw	
E2S30	-S26	---/30/30	NLB	35	34	1 x 13mm Elephant Standard on One side 1 x 13mm Elephant Standard to Other side
	-M20	---/30/30	NLB	36	35	1 x 10mm Elephant MultiSmart on One side 1 x 10mm Elephant MultiSmart to Other side

Framing

Steel studs with minimum dimensions 64mm x 34mm x 0.50 BMT with 6mm return.

Tracks to be minimum dimensions 64mm x 30mm x 0.50 BMT.

Top & bottom tracks are fixed to the floor and ceiling in true alignment. Studs are placed at 600mm centres maximum.

Place studs to allow the nominated expansion gap (minimum 15mm) at the top of frame. The studs cannot be directly fixed to the tracks. The studs are held in place by the grip of the track runners.

Wall Height

Recommended maximum height is 3.0m. For higher walls refer to steel stud height table below.

Stud Dimensions (mm)	Base Metal Thickness (mm)	Stud Centres (mm)	Max Wall Heights (mm)	Expansion Tolerance at top of studs (mm)
64 x 34	0.50	600	3000	15
		400	3100	15
76 x 34	0.55	600	3300	15
		400	3700	20*
	0.75	600	3600	20*
		400	4100	20*
92 x 34	0.55	600	3800	20*
		400	4200	20*
	0.75	600	4200	20*
		400	4800	25*

* Use a minimum 50mm deep head track

Plasterboard Lining

One layer of Elephant Plasterboard lining as per specified system above on each side of the steel framing. Vertical fixing only permitted. Use full height sheets where possible.

Vertical Fixing- the vertical sheet joints must be offset on the opposite side of the frame.

Sheet end butt joints- must be formed over framing and staggered. Offset joints from opposite side of the frame. All sheet joints must be formed over framing.

The layers are fixed hard to the floor. Sheets shall be touch fitted.

Fixing of Linings

Fasteners (As per Specified System Above)

System Number	Side One	Side Two
	Single Layer	
Self-Tapping Drywall Screws		
E2S30-S26	13mm	13mm
	25 x 6g	25 x 6g
E2S30-M20	10mm	10mm
	25 x 6g	25 x 6g

Fastener Centres

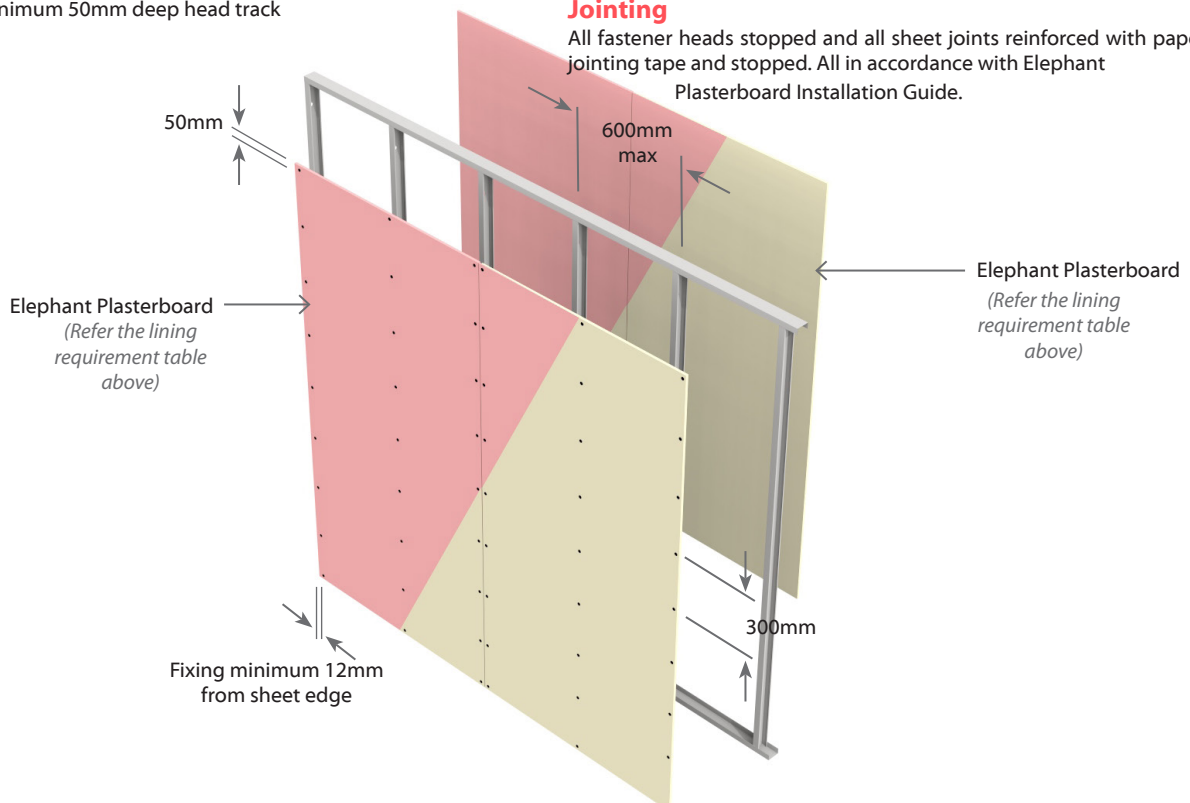
Fix at 300mm centres up each stud with no fixing to top and bottom track sections. Place fasteners no closer than 12mm to the sheet edge and 50mm from sheet ends and min 20mm clear of top and bottom tracks.

Place fasteners at 200mm centres where sheet end butt joints occur.

Fasteners may be placed at 18mm from sheet ends along top and bottom tracks, provided the fasteners do not connect the stud to the track. If floor deflections need to be considered, do not fix any linings to top track.

Jointing

All fastener heads stopped and all sheet joints reinforced with paper jointing tape and stopped. All in accordance with Elephant Plasterboard Installation Guide.



2 Layers: 1 Layer of Plasterboard to each side of frame

System Number	Lining Suffix	Fire Rating	Load Bearing Ability	Noise Control		Lining Requirement
				STC	Rw	
E2SL30	-M26	30/30/30	LB	37	36	1 x 13mm Elephant MultiSmart on One side 1 x 13mm Elephant MultiSmart to Other side
	-F32	30/30/30	LB	37	36	1 x 16mm Elephant FireSmart on One side 1 x 16mm Elephant FireSmart to Other side

Framing

Any steel frame designed to meet structural criteria for strength and serviceability under dead and live loads. Stud width shall be 35mm minimum. Stud spacing at 600 centres maximum. Frame heights as determined by specific design.

Plasterboard Lining

One layer of Elephant Plasterboard lining as per specified system above on each side of the steel framing.

Vertical or Horizontal fixing permitted. Use full height or full length sheets where possible.

For Vertical Fixing- the vertical sheet joints must be offset on the opposite side of the frame.

For Horizontal Fixing- the horizontal sheet joints must be formed over nogs and must be offset on the other side of the frame.

Sheet end butt joints- must be formed over framing and staggered. Offset joints from opposite side of the frame.

All sheet joints must be formed over framing.

The layers are fixed hard to the floor.

Sheets shall be touch fitted.

Fixing of Linings

Fasteners (As per Specified System Above)

System Number	Side One	Side Two
	Single Layer Self-Tapping Drywall Screws	
E2SL30-M26	13mm	13mm
	25 x 6g	25 x 6g
E2SL30-F32	16mm	16mm
	32 x 6g	32 x 6g

Fastener Centres

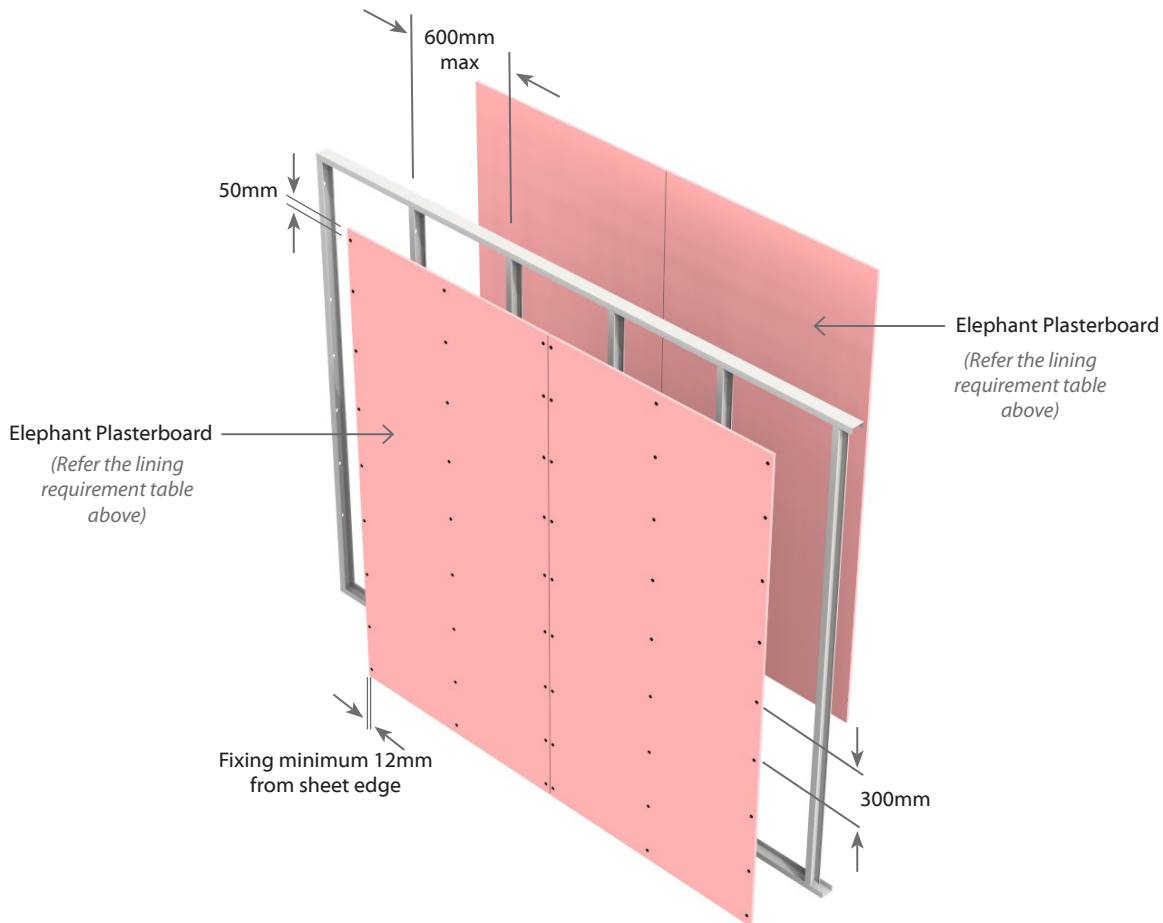
Fix at 300mm centres up each stud with no fixing to top and bottom track sections.

Place fasteners no closer than 12mm to the sheet edge and 50mm from sheet ends.

Place fasteners at 200mm centres where sheet end butt joints occur.

Jointing

All fastener heads stopped and all sheet joints reinforced with paper jointing tape and stopped. All in accordance with the Elephant Plasterboard Installation Guide.



E4SL30

Single Steel Frame

Load Bearing

Two Way FRR

4 Layers: 2 Layers of Plasterboard to each side of frame

System Number	Lining Suffix	Fire Rating	Load Bearing Ability	Noise Control		Lining Requirement
				STC	Rw	
E4SL30	-F40	30/30/30	LB	43	42	2 x 10mm Elephant FireSmart on One side 2 x 10mm Elephant FireSmart to Other side
	-S52	30/30/30	LB	43	42	2 x 13mm Elephant Standard on One side 2 x 13mm Elephant Standard to Other side

Framing

Any steel frame designed to meet structural criteria for strength and serviceability under dead and live loads. Stud width shall be 35mm minimum. Stud spacing at 600 centres maximum.

Frame heights as determined by specific design.

Plasterboard Lining

Two layers of Elephant Plasterboard lining as per specified system above on each side of the steel framing.

Vertical or Horizontal fixing permitted. Use full height or full length sheets where possible.

For Vertical Fixing- the vertical sheet joints must be offset on the opposite side of the frame.

For Horizontal Fixing- the horizontal sheet joints must be formed over nogs and must be offset on the other side of the frame.

Sheet end butt joints- must be formed over framing and staggered. Offset joints from opposite side of the frame.

All outer layer joints must be staggered from inner layer joints.

All sheet joints must be formed over framing.

The layers are fixed hard to the floor.

Sheets shall be touch fitted.

Fixing of Linings

Fasteners

System Number	Side One		Side Two	
	1 st Layer	2 nd Layer	1 st Layer	2 nd Layer
Self-Tapping Drywall Screws				
E4SL30-F40	10mm	10mm	10mm	10mm
	25 x 6g	32 x 6g	25 x 6g	32 x 6g
E4SL30-S52	13mm	13mm	13mm	13mm
	25 x 6g	41 x 6g	25 x 6g	41 x 6g

Fastener Centres

Inner Layer: Fix at 600mm centres up each stud with no fixing to top and bottom track sections.

Outer Layer: Fix at 300mm centres up each stud with no fixing to top and bottom track sections.

Place fasteners no closer than 12mm to the sheet edge and 50mm from sheet ends.

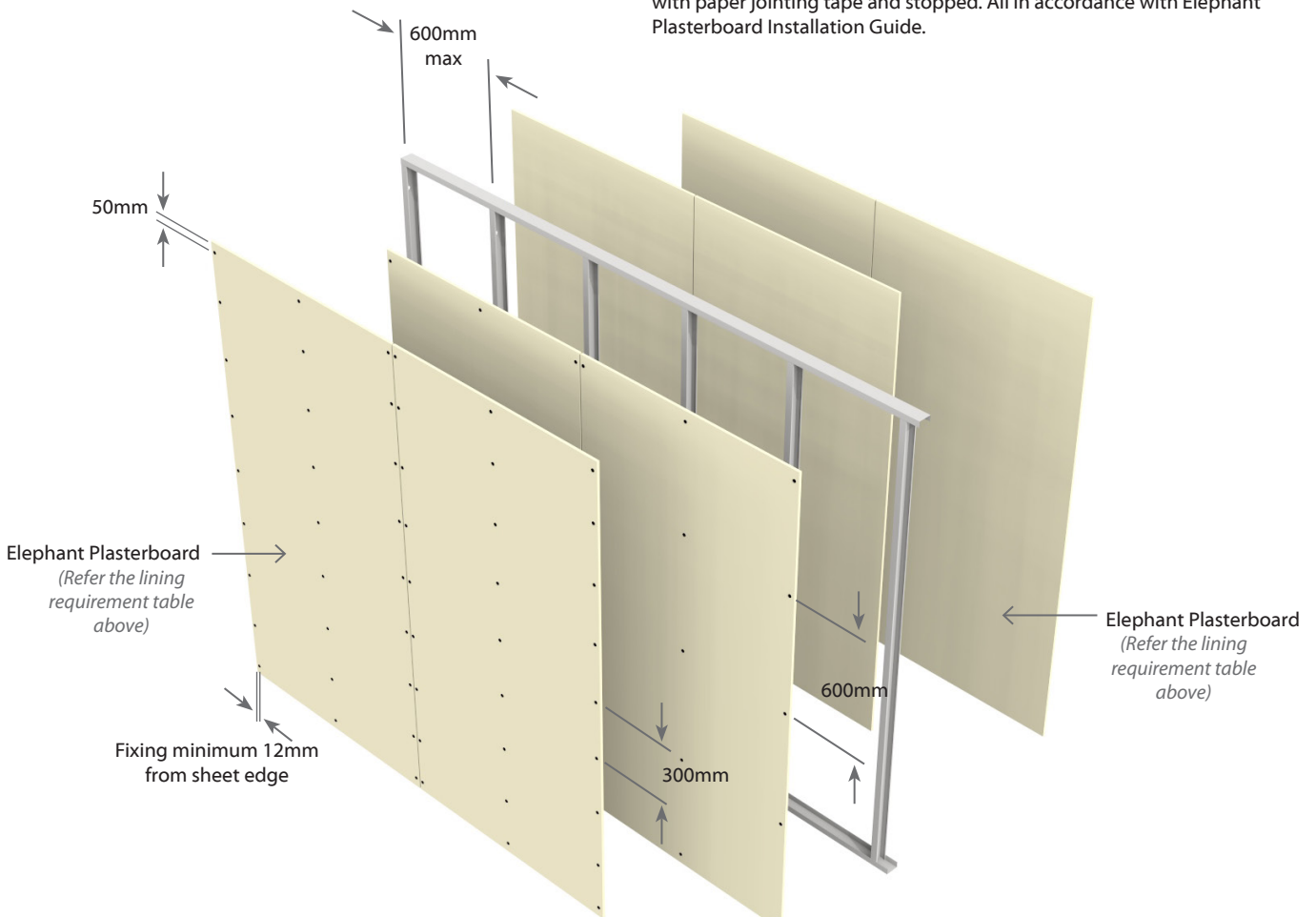
Place fasteners at 200mm centres where sheet end butt joints occur.

Avoid outer layer screws from hitting inner layer screws.

Jointing

Inner Layer: Unstopped

Outer Layer: All fastener heads stopped and all sheet joints reinforced with paper jointing tape and stopped. All in accordance with Elephant Plasterboard Installation Guide.



E2S60

Single Steel Frame

Non Load Bearing

Two Way FRR

2 Layers: 1 Layer of Plasterboard to each side of frame

System Number	Lining Suffix	Fire Rating	Load Bearing Ability	Noise Control		Lining Requirement
				STC	Rw	
E2S60	-M26	---/60/60	NLB	37	36	1 x 13mm Elephant MultiSmart on One side 1 x 13mm Elephant MultiSmart to Other side

Framing

Steel studs with minimum dimensions 64mm x 34mm x 0.55 BMT with 6mm return.

Tracks to be minimum dimensions 64mm x 30mm x 0.55 BMT.

Top & bottom tracks are fixed to the floor and ceiling in true alignment. Studs are placed at 600mm centres maximum.

Place studs to allow the nominated expansion gap (minimum 15mm) at the top of frame. The studs cannot be directly fixed to the tracks. The studs are held in place by the grip of the track runners.

Wall Height

Recommended maximum height is 3.0m. For higher walls refer to steel stud height table below.

Stud Dimensions (mm)	Base Metal Thickness (mm)	Stud Centres (mm)	Max Wall Heights (mm)	Expansion Tolerance at top of studs (mm)
64 x 34	0.55	600	3000	15
		400	3100	15
76 x 34	0.55	600	3300	15
		400	3700	20*
	0.75	600	3600	20*
		400	4100	20*
92 x 34	0.55	600	3800	20*
		400	4200	20*
	0.75	600	4200	20*
		400	4800	25*

* Use a minimum 50mm deep head track

Plasterboard Lining

One layer of 13mm Elephant MultiSmart lining on each side of the steel framing. Vertical fixing only permitted. Use full height sheets where possible.

Vertical Fixing- the vertical sheet joints must be offset on the opposite side of the frame.

Sheet end butt joints- must be formed over framing and staggered. Offset joints from opposite side of the frame.

All sheet joints must be formed over framing.

The layers are fixed hard to the floor.

Sheets shall be touch fitted.

Fixing of Linings

Fasteners

System Number	Side One	Side Two
	Single Layer	
Self-Tapping Drywall Screws		
E2S60-M26	13mm	13mm
	25 x 6g	25 x 6g

Fastener Centres

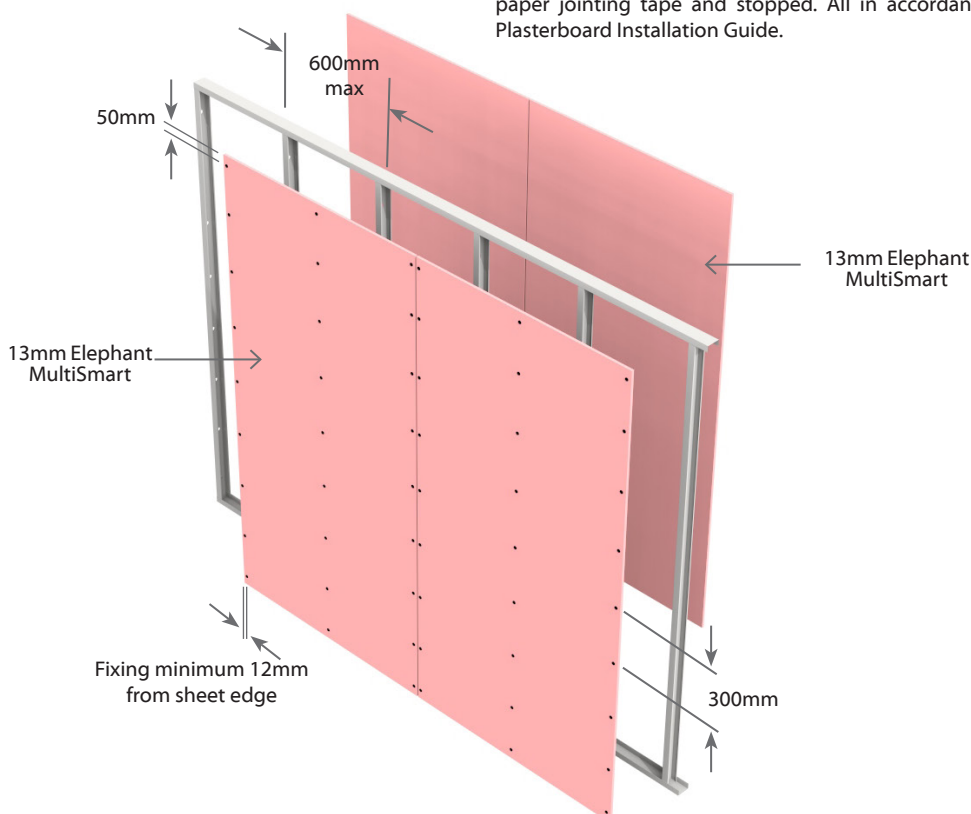
Fix at 300mm centres up each stud with no fixing to top and bottom track sections. Place fasteners no closer than 12mm to the sheet edge and 50mm from sheet ends and min 20mm clear of top and bottom tracks.

Place fasteners at 200mm centres where sheet end butt joints occur.

Fasteners may be placed at 18mm from sheet ends along top and bottom tracks, provided the fasteners do not connect the stud to the track. If floor deflections need to be considered, do not fix any linings to top track.

Jointing

All fastener heads stopped and all sheet joints reinforced with paper jointing tape and stopped. All in accordance with Elephant Plasterboard Installation Guide.



4 Layers: 2 Layers of Plasterboard to each side of frame

System Number	Lining Suffix	Fire Rating	Load Bearing Ability	Noise Control		Lining Requirement
				STC	Rw	
E4S60	-F40	---/60/60	NLB	45	44	2 x 10mm Elephant FireSmart on One side 2 x 10mm Elephant FireSmart to Other side
	-S52	---/60/60	NLB	45	44	2 x 13mm Elephant Standard on One side 2 x 13mm Elephant Standard to Other side
	-M40	---/60/60	NLB	45	44	2 x 10mm Elephant MultiSmart on One side 2 x 10mm Elephant MultiSmart to Other side

Framing

Steel studs with minimum dimensions 64mm x 34mm x 0.50 BMT with 6mm return.

Tracks to be minimum dimensions 64mm x 30mm x 0.50 BMT.

Top & bottom tracks are fixed to the floor and ceiling in true alignment.

Studs are placed at 600mm centres maximum.

Place studs to allow the nominated expansion gap (minimum 15mm) at the top of frame. The studs cannot be directly fixed to the tracks. The studs are held in place by the grip of the track runners.

Wall Height

Recommended maximum height is 3.0m. For higher walls refer to steel stud height table below.

Stud Dimensions (mm)	Base Metal Thickness (mm)	Stud Centres (mm)	Max Wall Heights (mm)	Expansion Tolerance at top of studs (mm)
64 x 34	0.50	600	3000	15
		400	3100	15
76 x 34	0.55	600	3300	15
		400	3700	20*
	0.75	600	3600	20*
		400	4100	20*
92 x 34	0.55	600	3800	20*
		400	4200	20*
	0.75	600	4200	20*
		400	4800	25*

* Use a minimum 50mm deep head track

Plasterboard Lining

Two layers of Elephant Plasterboard lining as per specified system above on each side of the steel framing. Vertical fixing only permitted. Use full height sheets where possible.

Vertical Fixing- the vertical sheet joints must be offset on the opposite side of the frame.

Sheet end butt joints- must be formed over framing and staggered. Offset joints from opposite side of the frame.

All outer layer joints must be staggered from inner layer joints.

All sheet joints must be formed over framing. The layers are fixed hard to the floor. Sheets shall be touch fitted.

Fixing of Linings

Fasteners (As per Specified System Above)

System Number	Side One		Side Two	
	1 st Layer	2 nd Layer	1 st Layer	2 nd Layer
Self-Tapping Drywall Screws				
E4S60-S52	13mm	13mm	13mm	13mm
	25 x 6g	41 x 6g	25 x 6g	41 x 6g
E4S60-F40 E4S60-M40	10mm	10mm	10mm	10mm
	25 x 6g	41 x 6g	25 x 6g	41 x 6g

Fastener Centres

Inner Layer: Fix at 600mm centres up each stud with no fixing to top or bottom track sections.

Outer Layer: Fix at 300mm centres up each stud with no fixing to top and bottom track sections.

Place fasteners no closer than 12mm to the sheet edge and 50mm from sheet ends and min 20mm clear of top and bottom tracks.

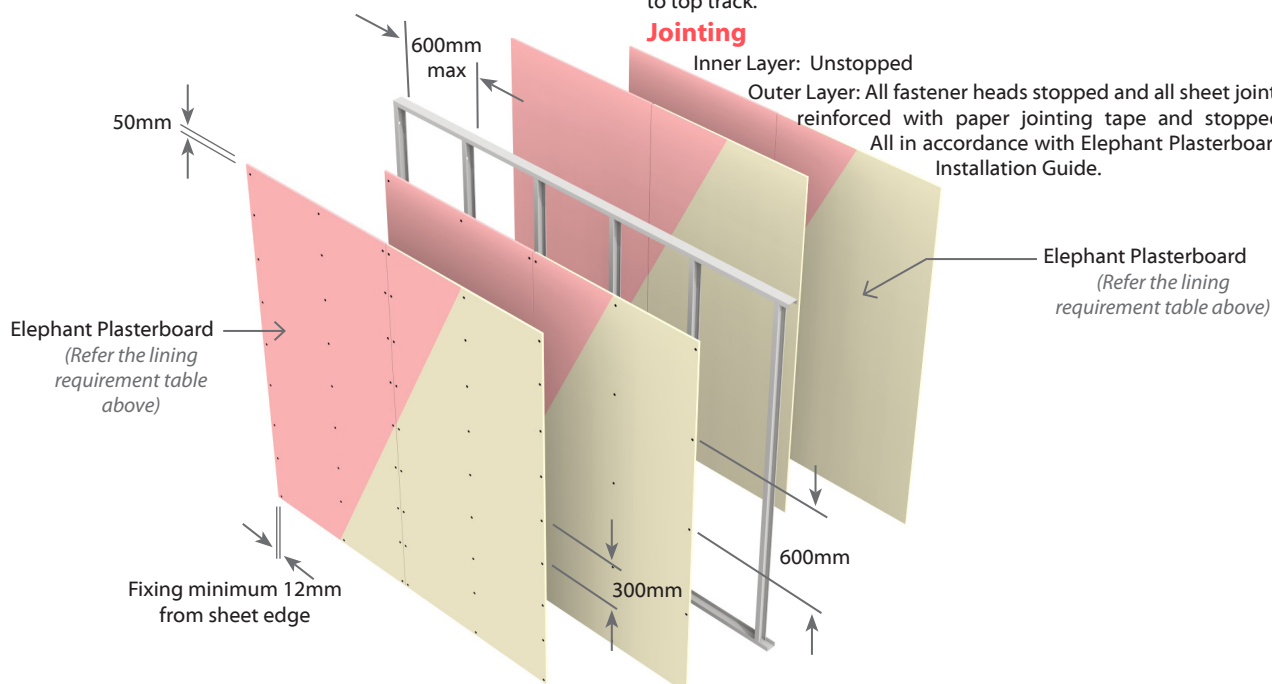
Place fasteners at 200mm centres where sheet end butt joints occur. Avoid outer layer screws from hitting inner layer screws.

Fasteners may be placed at 18mm from sheet ends along top and bottom tracks, provided the fasteners do not connect the stud to the track. If floor deflections need to be considered, do not fix any linings to top track.

Jointing

Inner Layer: Unstopped

Outer Layer: All fastener heads stopped and all sheet joints reinforced with paper jointing tape and stopped. All in accordance with Elephant Plasterboard Installation Guide.



E4SL60

Single Steel Frame

Load Bearing

Two Way FRR

4 Layers: 2 Layers of Plasterboard to each side of frame

System Number	Lining Suffix	Fire Rating	Load Bearing Ability	Noise Control		Lining Requirement
				STC	Rw	
E4SL60	-M52	60/60/60	LB	46	45	2 x 13mm Elephant MultiSmart on One side 2 x 13mm Elephant MultiSmart to Other side
	-MF52	60/60/60	LB	46	45	1 x 10mm Elephant MultiSmart and 1 x 16mm FireSmart on One side 1 x 10mm Elephant MultiSmart and 1 x 16mm FireSmart to Other side
	-MF58	60/60/60	LB	47	46	1 x 13mm Elephant MultiSmart and 1 x 16mm FireSmart on One side 1 x 13mm Elephant MultiSmart and 1 x 16mm FireSmart to Other side

Framing

Any steel frame designed to meet structural criteria for strength and serviceability under dead and live loads. Stud width shall be 35mm minimum. Stud spacing at 600 centres maximum.

Frame heights as determined by specific design.

Plasterboard Lining

Two layers of Plasterboard lining as per specified system above on each side of the steel framing.

Vertical or Horizontal fixing permitted. Use full height or full length sheets where possible. All vertical joints of the inner layer must be formed over framing. Vertical joints of the outer layer should be offset to those of the inner layer. The layers are fixed hard to the floor. Sheets shall be touch fitted.

Note: For system E4SL60-MF52, The outer layer must always be 16mm Elephant FireSmart.

E4SL60-M52 & E4SL60-MF52:

Where sheet end butt joints are unavoidable, the inner layer joints must be formed over nogs. Stagger the outer layer butt joints from the inner layer by minimum 100mm.

E4SL60-MF58:

Sheet end butt joints do not need to be formed over nogs. Stagger the outer layer butt joints from the inner layer by a minimum 100mm.

Fixing of Linings

Fasteners

System Number	Side One		Side Two	
	1 st Layer	2 nd Layer	1 st Layer	2 nd Layer
Self-Tapping Drywall Screws				
E4SL60-M52	13mm	13mm	13mm	13mm
	25 x 6g	41 x 6g	25 x 6g	41 x 6g
E4SL60-MF52	10mm	16mm	10mm	16mm
	25 x 6g	41 x 6g	25 x 6g	41 x 6g
E4SL60-MF58 (opt-1)	13mm	16mm	13mm	16mm
	25 x 6g	41 x 6g	25 x 6g	41 x 6g
E4SL60-FM58 (opt-2)	16mm	13mm	16mm	13mm
	32 x 6g	41 x 6g	32 x 6g	41 x 6g

Fastener Centres

Inner Layer: Fix at 600mm centres up each stud with no fixing to top and bottom track sections.

Outer Layer: Fix at 300mm centres up each stud with no fixing to top and bottom track sections.

Place fasteners no closer than 12mm to the sheet edge and 50mm from sheet ends.

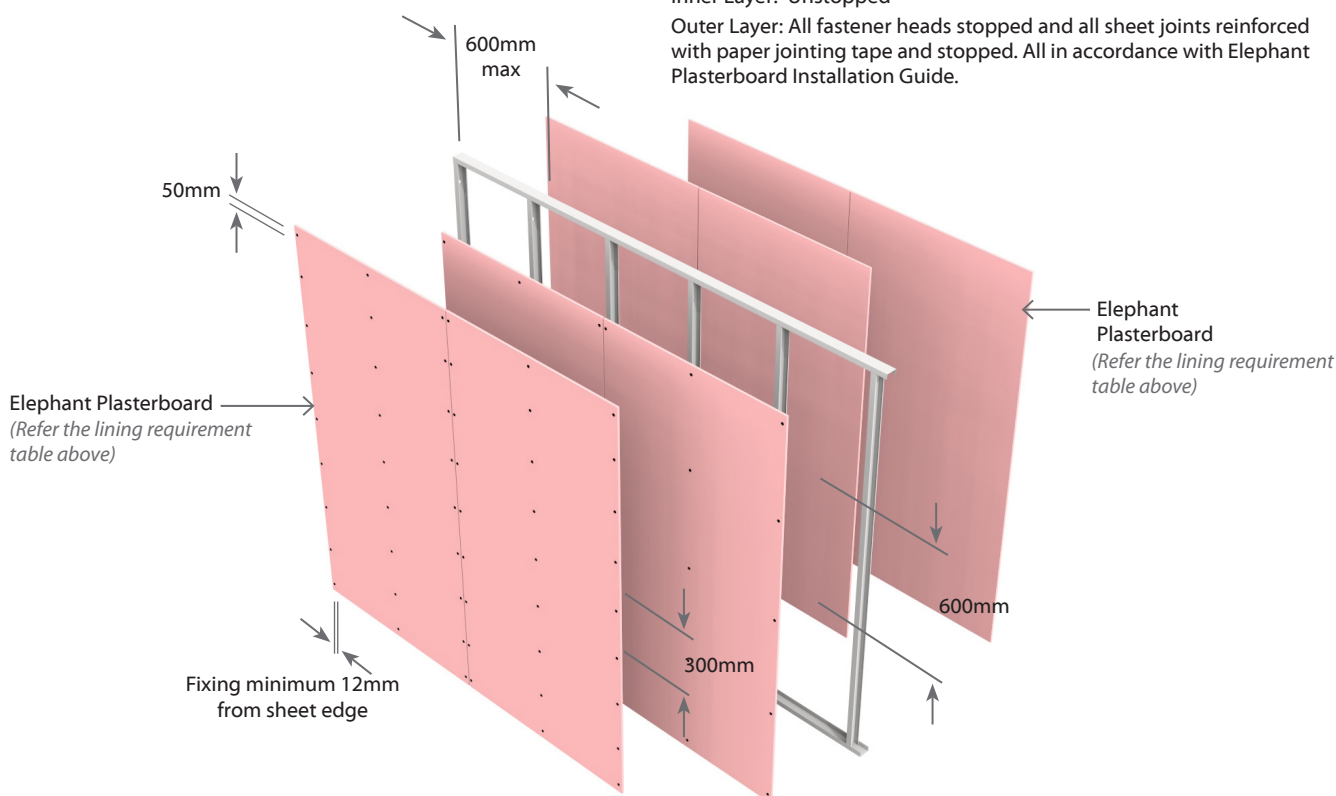
Place fasteners at 200mm centres where sheet end butt joints occur.

Avoid outer layer screws from hitting inner layer screws.

Jointing

Inner Layer: Unstopped

Outer Layer: All fastener heads stopped and all sheet joints reinforced with paper jointing tape and stopped. All in accordance with Elephant Plasterboard Installation Guide.



4 Layers: 2 Layers of Plasterboard to each side of frame

System Number	Lining Suffix	Fire Rating	Load Bearing Ability	Noise Control		Lining Requirement
				STC	Rw	
E4S90	-M46	---/90/90	NLB	45	44	1 x 10mm Elephant MultiSmart & 1 x 13mm MultiSmart One side 1 x 10mm Elephant MultiSmart & 1 x 13mm MultiSmart Other side

Framing

Steel studs with minimum dimensions 64mm x 34mm x 0.55 BMT with 6mm return.

Tracks to be minimum dimensions 64mm x 30mm x 0.55 BMT.

Top & bottom tracks are fixed to the floor and ceiling in true alignment. Studs are placed at 600mm centres maximum.

Place studs to allow the nominated expansion gap (minimum 15mm) at the top of frame. The studs cannot be directly fixed to the tracks. The studs are held in place by the grip of the track runners.

Wall Height

Recommended maximum height is 3.0m. For higher walls refer to steel stud height table below.

Stud Dimensions (mm)	Base Metal Thickness (mm)	Stud Centres (mm)	Max Wall Heights (mm)	Expansion Tolerance at top of studs (mm)
64 x 34	0.55	600	3000	15
		400	3100	15
76 x 34	0.55	600	3300	15
		400	3700	20*
	0.75	600	3600	20*
		400	4100	20*
92 x 34	0.55	600	3800	20*
		400	4200	20*
	0.75	600	4200	20*
		400	4800	25*

* Use a minimum 50mm deep head track

Plasterboard Lining

One layer of 10mm Elephant MultiSmart & One layer of 13mm Elephant MultiSmart lining on each side of the steel framing.

Vertical fixing only permitted. Use full height sheets where possible.

Vertical Fixing- the vertical sheet joints must be offset on the opposite side of the frame.

Sheet end butt joints- must be formed over framing and staggered. Offset joints from opposite side of the frame.

All outer layer joints must be staggered from inner layer joints.

All sheet joints must be formed over framing. The layers are fixed hard to the floor. Sheets shall be touch fitted.

Fixing of Linings

Fasteners (As per Specified System Above)

System Number	Side One		Side Two	
	1 st Layer	2 nd Layer	1 st Layer	2 nd Layer
E4S90-M46	Self-Tapping Drywall Screws			
	10mm	13mm	10mm	13mm
	25 x 6g	41 x 6g	25 x 6g	41 x 6g

Fastener Centres

Inner Layer: Fix at 300mm centres up each stud with no fixing to top or bottom track sections.

Outer Layer: Fix at 300mm centres up each stud with no fixing to top and bottom track sections.

Place fasteners no closer than 12mm to the sheet edge and 50mm from sheet ends and min 20mm clear of top and bottom tracks.

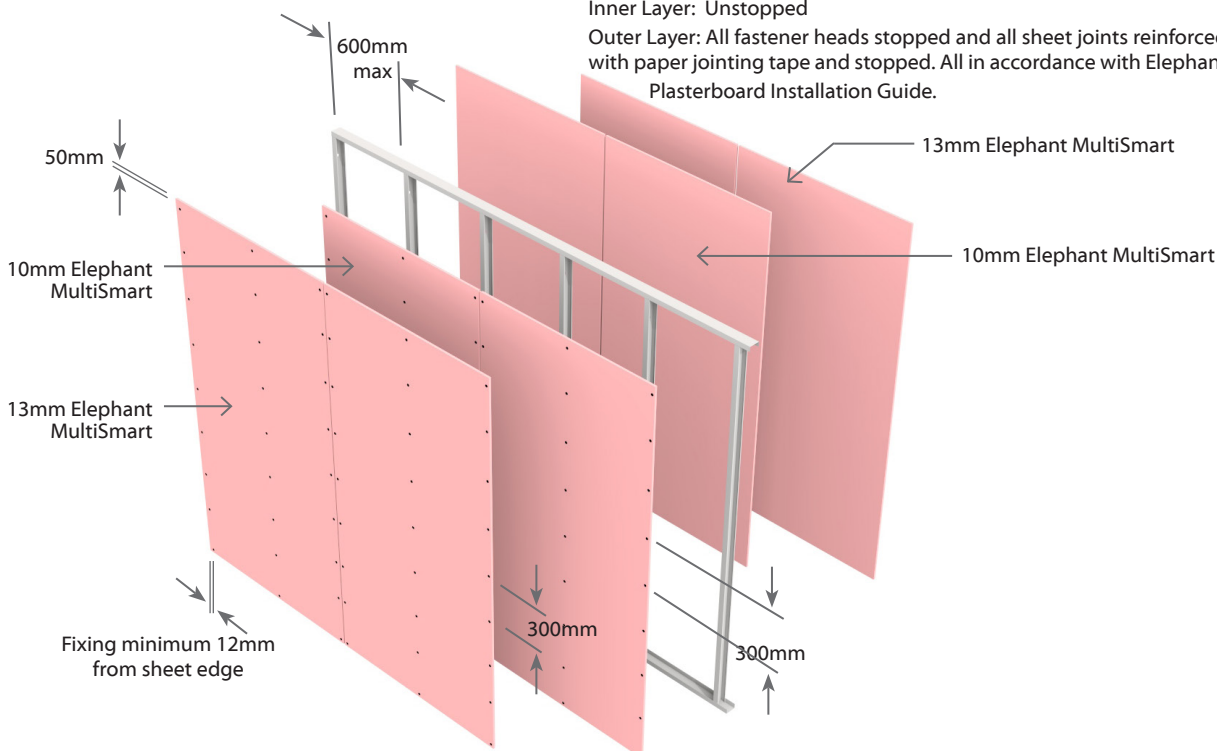
Place fasteners at 200mm centres where sheet end butt joints occur. Avoid outer layer screws from hitting inner layer screws.

Fasteners may be placed at 18mm from sheet ends along top and bottom tracks, provided the fasteners do not connect the stud to the track. If floor deflections need to be considered, do not fix any linings to top track.

Jointing

Inner Layer: Unstopped

Outer Layer: All fastener heads stopped and all sheet joints reinforced with paper jointing tape and stopped. All in accordance with Elephant Plasterboard Installation Guide.



E4SL90 Single Steel Frame Load Bearing | Two Way FRR

4 Layers: 2 Layers of Plasterboard to each side of frame

System Number	Lining Suffix	Fire Rating	Load Bearing Ability	Noise Control		Lining Requirement
				STC	Rw	
E4SL90	-F64	90/90/90	LB	47	46	2 x 16mm Elephant FireSmart on One side 2 x 16mm Elephant FireSmart to Other side

Framing

Any steel frame designed to meet structural criteria for strength and serviceability under dead and live loads. Stud width shall be 35mm minimum. Stud spacing at 600 centres maximum. Frame heights as determined by specific design.

Plasterboard Lining

Two layers of 16mm Elephant FireSmart lining on each side of the steel framing. Vertical or Horizontal fixing permitted. Use full height or full length sheets where possible.

For Vertical Fixing- the vertical sheet joints must be offset on the opposite side of the frame.

For Horizontal Fixing- the horizontal sheet joints must be formed over nogs and must be offset on the other side of the frame.

Sheet end butt joints- must be formed over framing and staggered. Offset joints from opposite side of the frame.

All outer layer joints must be staggered from inner layer joints.
All sheet joints must be formed over framing.
The layers are fixed hard to the floor.
Sheets shall be touch fitted.

Fixing of Linings Fasteners

System Number	Side One		Side Two	
	1 st Layer	2 nd Layer	1 st Layer	2 nd Layer
E4SL90-F64	Self-Tapping Drywall Screws			
	16mm	16mm	16mm	16mm
	32 x 6g	51 x 7g	32 x 6g	51 x 7g

Fastener Centres

Inner Layer: Fix at 600mm centres up each stud with no fixing to top and bottom track sections.

Outer Layer: Fix at 300mm centres up each stud with no fixing to top and bottom track sections.

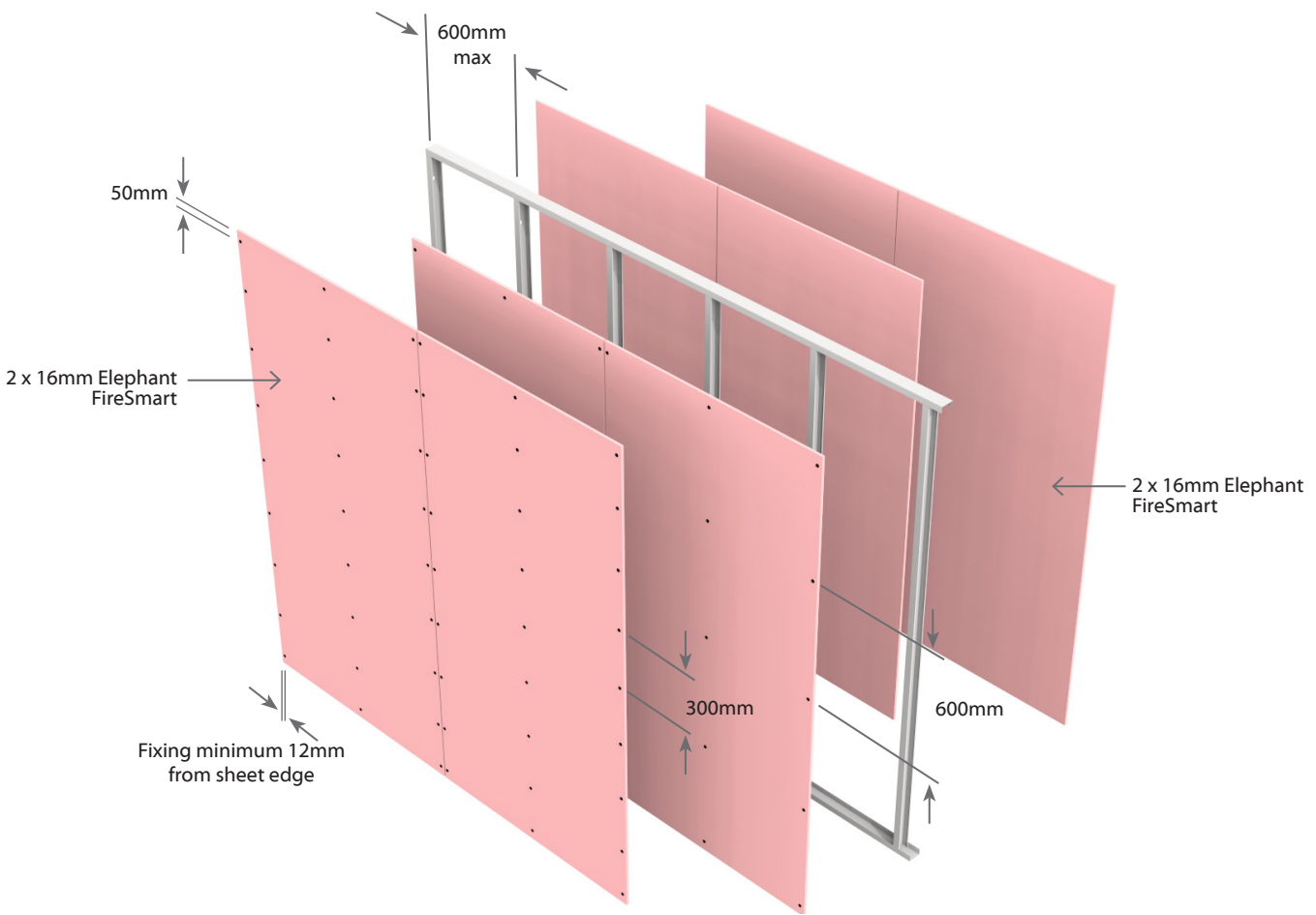
Place fasteners no closer than 12mm to the sheet edge and 50mm from sheet ends.

Place fasteners at 200mm centres where sheet end butt joints occur. Avoid outer layer screws from hitting inner layer screws.

Jointing

Inner Layer: Unstopped

Outer Layer: All fastener heads stopped and all sheet joints reinforced with paper jointing tape and stopped. All in accordance with Elephant Plasterboard Installation Guide.



E4S120

Single Steel Frame

Non Load Bearing

Two Way FRR

4 Layers: 2 Layers of Plasterboard to each side of frame

System Number	Lining Suffix	Fire Rating	Load Bearing Ability	Noise Control		Lining Requirement
				STC	Rw	
E4S120	-FM58	---/120/120	NLB	46	45	1 x 16mm FireSmart and 1 x 13mm MultiSmart on One side 1 x 16mm FireSmart and 1 x 13mm MultiSmart to Other side

Framing

Steel studs with minimum dimensions 64mm x 34mm x 0.50 BMT with 6mm return.

Tracks to be minimum dimensions 64mm x 30mm x 0.50 BMT.

Top & bottom tracks are fixed to the floor and ceiling in true alignment.

Studs are placed at 600mm centres maximum.

Place studs to allow the nominated expansion gap (minimum 15mm) at the top of frame. The studs cannot be directly fixed to the tracks. The studs are held in place by the grip of the track runners.

Wall Height

Recommended maximum height is 3.0m. For higher walls refer to steel stud height table below.

Stud Dimensions (mm)	Base Metal Thickness (mm)	Stud Centres (mm)	Max Wall Heights (mm)	Expansion Tolerance at top of studs (mm)
64 x 34	0.50	600	3000	15
		400	3100	15
76 x 34	0.55	600	3300	15
		400	3700	20*
	0.75	600	3600	20*
		400	4100	20*
92 x 34	0.55	600	3800	20*
		400	4200	20*
	0.75	600	4200	20*
		400	4800	25*

* Use a minimum 50mm deep head track

Plasterboard Lining

One layer of 16mm Elephant FireSmart and one layer of 13mm Elephant MultiSmart lining on each side of the steel framing.

Vertical fixing only permitted. Use full height sheets where possible.

Vertical Fixing- the vertical sheet joints must be offset on the opposite side of the frame.

Sheet end butt joints- must be formed over framing and staggered. Offset joints from opposite side of the frame.

All outer layer joints must be staggered from inner layer joints.

All sheet joints must be formed over framing. The layers are fixed hard to the floor. Sheets shall be touch fitted.

Fixing of Linings

Fasteners

System Number	Side One		Side Two	
	1 st Layer	2 nd Layer	1 st Layer	2 nd Layer
E4S120-FM58	Self-Tapping Drywall Screws			
	16mm	13mm	16mm	13mm
	32 x 6g	41 x 6g	32x 6g	41 x 6g

Fastener Centres

Inner Layer: Fix at 300mm centres up each stud with no fixing to top or bottom track sections.

Outer Layer: Fix at 300mm centres up each stud with no fixing to top and bottom track sections.

Place fasteners no closer than 12mm to the sheet edge and 50mm from sheet ends and min 20mm clear of top and bottom tracks.

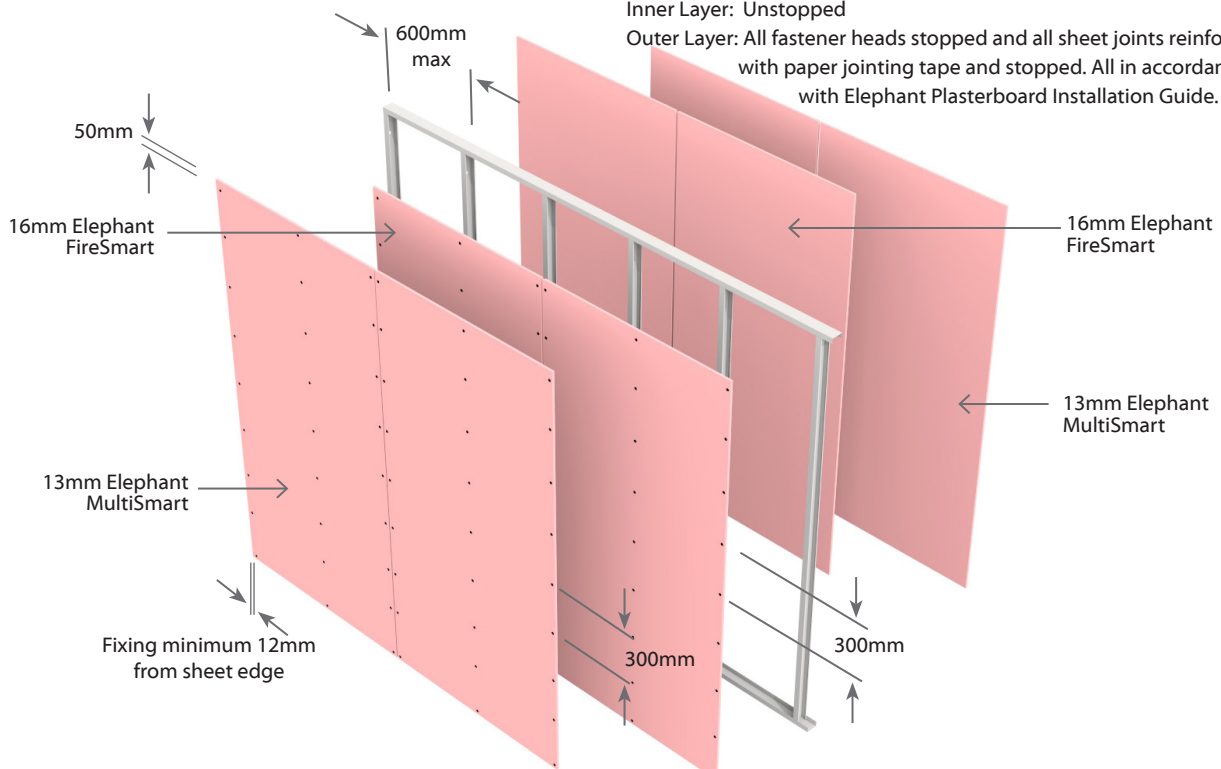
Place fasteners at 200mm centres where sheet end butt joints occur. Avoid outer layer screws from hitting inner layer screws.

Fasteners may be placed at 18mm from sheet ends along top and bottom tracks, provided the fasteners do not connect the stud to the track. If floor deflections need to be considered, do not fix any linings to top track.

Jointing

Inner Layer: Unstopped

Outer Layer: All fastener heads stopped and all sheet joints reinforced with paper jointing tape and stopped. All in accordance with Elephant Plasterboard Installation Guide.



E2CSD60**Double Steel Frame-13mm MultiSmart Central liner Non Load Bearing Two Way FRR****2 Layers: 1 Layer of Plasterboard to each side of frame (excludes Central liner)**

System Number	Lining Suffix	Fire Rating	Load Bearing Ability	Noise Control		Lining Requirement
				STC*	Rw	
E2CSD60	-M26	--/60/60	NLB	44	43	1 x 13mm MultiSmart on One side 1 x 13mm MultiSmart to Other side

*To receive a higher STC of 53, fill the wall cavities between studs with 1 layer of 75mm thick R1.8 glass wool blanket on both frames.

Framing

Steel studs with minimum dimensions 64mm x 34mm x 0.55 BMT with 6mm return.

Tracks to be minimum size 64mm x 30mm x 0.55 BMT.

Top & bottom tracks are fixed to the floor and ceiling in true alignment. Studs are placed at 600mm centres maximum.

Place studs to allow the nominated expansion gap (minimum 15mm) at the top of frame. The studs are not directly fixed to the tracks. The studs are held in place by the grip of the track runners.

Wall Height

Recommended maximum height is 3.0m. For higher walls refer to steel stud height table below.

Stud Dimensions (mm)	Base Metal Thickness (mm)	Stud Centres (mm)	Max Wall Heights (mm)	Expansion Tolerance at top of studs (mm)
64 x 34	0.55	600	3000	15
		400	3100	15
76 x 34	0.55	600	3300	15
		400	3700	20*
	0.75	600	3600	20*
		400	4100	20*
92 x 34	0.55	600	3800	20*
		400	4200	20*
	0.75	600	4200	20*
		400	4800	25*

* Use a minimum 50mm deep head track

13mm MultiSmart Central liner

Fix bottom and top tracks to floor and ceiling at 600mm centres and not more than 150mm from ends using steel fasteners. Install studs at 600mm centres max.

Install 13mm Elephant MultiSmart Central liner vertically at 300mm to one side using 25mm x 6g Self tapping drywall screws. Fasteners to be placed at 12mm from sheet edges and min 20mm clear of top and bottom tracks. Sheet joints to be formed over framing.

Second frame must be constructed against the 13mm Elephant MultiSmart Central liner with bottom and top tracks fixed to floor and ceiling. Install studs at 600mm centres max. Offset the second frame's studs by 300mm from the first frame.

Fix the 13mm Elephant MultiSmart Central liner to the second frame using 25mm x 6g Self tapping drywall screws at 300mm centres. Fasteners to be placed at 12mm from sheet edges and min 20mm clear of top and bottom tracks. Sheet joints to be formed over framing.

Plasterboard Lining

One layer of 13mm Elephant MultiSmart lining each side of the steel framing.

Vertical fixing only permitted. Use full height sheets where possible. The vertical sheet joints must be offset on the opposite side of the frame.

Sheet end butt joints- must be formed over framing and staggered. Offset joints from opposite side of the frame.

All sheet joints must be formed over framing.

The layers are fixed hard to the floor. Sheets shall be touch fitted.

Fixing of Linings**Fasteners**

System Number	Single Layer
	Self Tapping Drywall Screws
E2CSDA60-M26	13mm
	25 x 6g

Fastener Centres

Fix at 300mm centres up each stud with no fixing to top and bottom track sections.

Place fasteners no closer than 12mm to the sheet edge and 50mm from sheet ends and min 20mm clear of top and bottom tracks.

Place fasteners at 200mm centres where sheet end butt joints occur.

Fasteners may be placed at 18mm from sheet ends along top and bottom tracks, provided the fasteners do not connect the stud to the track.

If floor deflections need to be considered, do not fix any linings to top track.

Penetrations

Penetrations in cavities are permitted on either side of the Central liner for plumbing and electrical services.

Minimum 10mm clearance must be allowed between plumbing or electrical services and Central Liner for back-to-back services and penetrations.

Fire stopping for penetrations are not required for Metal and PVC Plumbing services up to 65mm diameter. 6mm max clearance gap around the plumbing services are required for penetrations through plasterboard linings. Gaps to be filled with a flexible sealant.

Penetration of electrical services up to 90 x 50mm do not require to be fire-stopped. Flush boxes are limited to two per 600mm wide stud bay.

For larger penetrations and penetrations through 13mm Elephant MultiSmart Central Liner, suitable proprietary fire-stopping is required.

Penetrations through 13mm Elephant MultiSmart Central Liner may reduce the STC performance.

Plasterboard lining for Wet Area

If 13mm Elephant MultiSmart is replaced with 13mm Elephant AquaSmart, the FRR will be retained, but with a reduction in STC.

Refer to STC performance table on page 15.

Jointing

Central Liner: Unstopped

Outer Layers: All fastener heads stopped and all sheet joints reinforced with paper jointing tape and stopped. All in accordance with Elephant Plasterboard Installation Guide.



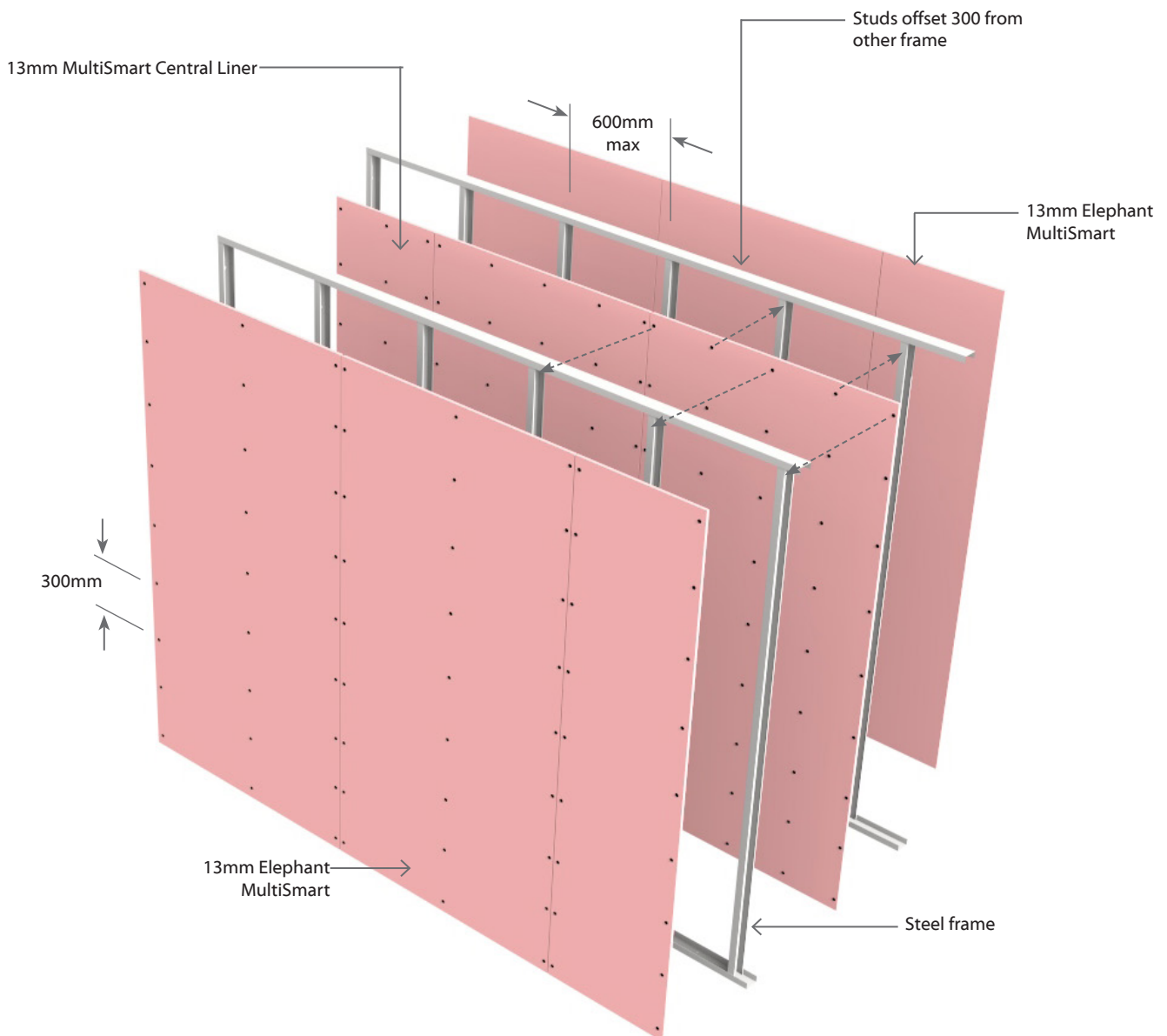
E2CSD60

Double Steel Frame-13mm MultiSmart Central liner Non Load Bearing Two Way FRR

2 Layers: 1 Layer of Plasterboard to each side of frame (excludes Central liner)

System Number	Lining Suffix	Fire Rating	Load Bearing Ability	Noise Control		Lining Requirement
				STC*	Rw	
E2CSD60	-M26	--/60/60	NLB	44	43	1 x 13mm MultiSmart on One side 1 x 13mm MultiSmart to Other side

*To receive a higher STC of 53, fill the wall cavities between studs with 1 layer of 75mm thick R1.8 glass wool blanket on both frames.



Fire Rated Universal Walls



1 Layer: 1 Layer of Plasterboard to one side of frame (Fire side)

System Number	Lining Suffix	Fire Rating	Load Bearing Ability	Noise Control		Lining Requirement	Cladding (Required)
				STC	Rw		
E1UW15	-S13	15/15/15	LB	N/A	N/A	1 x 13mm Elephant Standard on One side	Any Cladding

Framing

Timber or Steel Frame designed to meet durability and structural criteria for strength and serviceability under dead and live loads.

Studs at 600mm centres maximum.

Stud width to be a minimum of 35mm.

Cavity depth to be a minimum of 90mm.

Wall Height, Load and Framing Dimensions

Timber frame : Refer to NZS3604 stud tables for height and framing dimensions of load bearing and non-load bearing partitions.

Steel frame : Refer to specific designs.

Exterior Cladding

The Exterior wall must be clad with a suitable weathertight material. E.g. Brick Veneer, fibre cement sheeting, timber weatherboards etc

Plasterboard Lining (Fire side)

One layer of 13mm Elephant Standard lining on one side of the framing. Vertical or Horizontal fixing permitted. Use full height or full length sheets where possible.

For Horizontal Fixing- the horizontal sheet joints must be formed over nogs.

Sheet end butt joints- must be formed over framing.

All sheet joints must be fixed over framing.

For steel frame, linings are fixed hard to the floor.

Sheets shall be touch fitted.

Fixing of Linings

Fasteners

System Number	Timber Frame	Steel Frame
		High Thread Drywall Screws
E1UW15-S13	13mm	13mm
	32 x 6g	25 x 6g

Fastener Centres

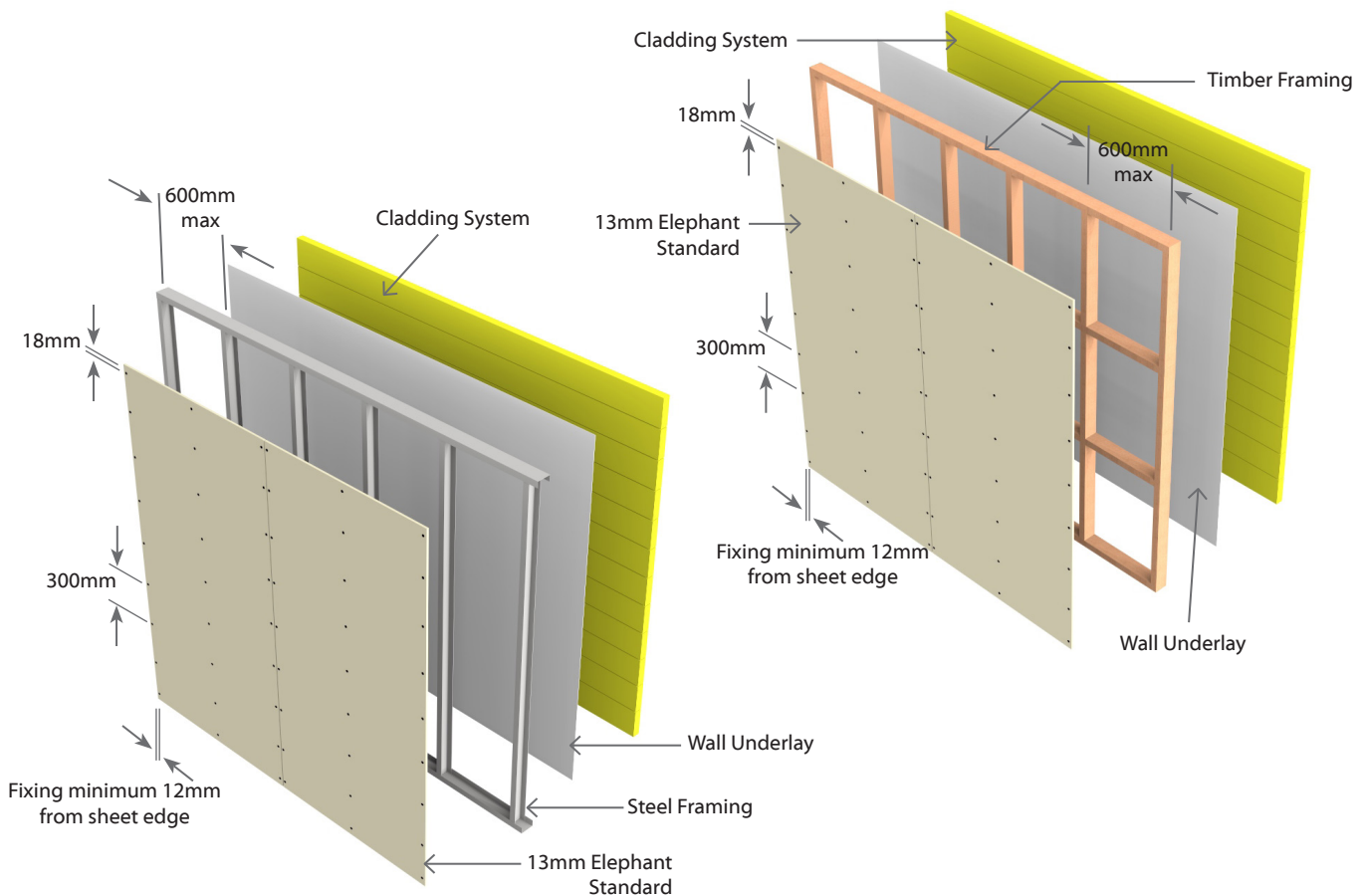
Timber or Steel Frames: Fix at 300mm centres up each stud.

Place fasteners no closer than 12mm from sheet edges and 18mm from sheet ends.

Place fasteners at 200mm centres where sheet end butt joints occur.

Joining

All fastener heads stopped and all sheet joints reinforced with paper jointing tape and stopped. All in accordance with Elephant Plasterboard Installation Guide.



E1UW30 Universal Timber or Steel Frame Wall **Load Bearing** | **One Way FRR**

1 Layer: 1 Layer of Plasterboard to one side of frame (Fire side)

System Number	Lining Suffix	Fire Rating	Load Bearing Ability	Noise Control		Lining Requirement	Cladding (Required)
				STC	Rw		
E1UW30	-F16a	30/30/30**	LB	N/A	N/A	1 x 16mm Elephant FireSmart on One side	NO Polymeric foam *

** N.B. System E1UW30-F16a achieves the stated fire rating with cladding systems that do not incorporate polymeric foam.

* N.B. Metal cladded walls require Glasswool insulation on similar (not polyester insulation).

Framing

Timber or Steel Frame designed to meet durability and structural criteria for strength and serviceability under dead and live loads.

Studs at 600mm centres maximum.

Stud width to be a minimum of 35mm.

Cavity depth to be a minimum of 90mm.

Wall Height, Load and Framing Dimensions

Timber frame : Refer to NZS3604 stud tables for height and framing dimensions of load bearing and non-load bearing partitions.

Steel frame : Refer to specific designs.

Exterior Cladding

The Exterior wall must be clad with a suitable weathertight material. E.g. Brick Veneer, fibre cement sheeting, timber weatherboards etc.

N.B. Cladding cannot contain polymeric foam. Metal cladded walls require glass wool insulation or similar, not polyester insulation.

Plasterboard Lining (Fire side)

One layer of 16mm Elephant FireSmart lining on one side of the framing. Vertical or Horizontal fixing permitted. Use full height or full length sheets where possible.

For Horizontal Fixing- the horizontal sheet joints must be formed over nogs.

Sheet end butt joints- must be formed over framing.

All sheet joints must be fixed over framing.

For steel frame, linings are fixed hard to the floor.

Sheets shall be touch fitted.

Fixing of Linings

Fasteners

System Number	Timber Frame	Steel Frame
		High Thread Drywall Screws
E1UW30-F16a	16mm	16mm
	41 x 6g	32 x 6g

Fastener Centres

Timber Frame: Fix at 300mm centres up each stud.

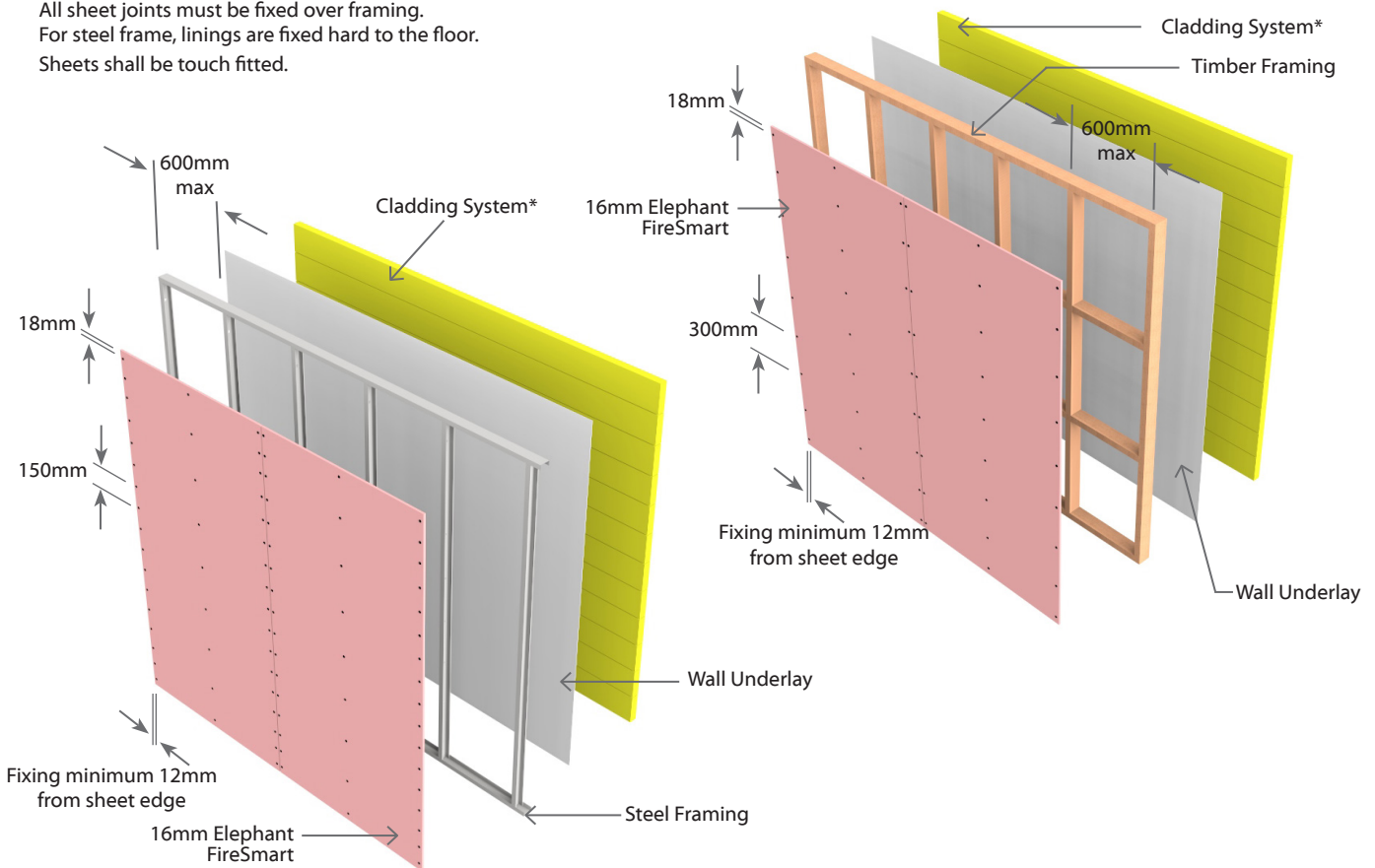
Steel Frame: Fix at 150mm centres up sheet edges and 300mm centres up each intermediate stud.

Place fasteners 12mm from sheet edges and 18mm from sheet ends.

Place fasteners at 200mm centres where sheet end butt joints occur.

Jointing

All fastener heads stopped and all sheet joints reinforced with paper jointing tape and stopped. All in accordance with Elephant Plasterboard Installation Guide.



E2UW30

Universal Timber or Steel Frame Wall

Load Bearing

One Way FRR

2 Layers: 2 Layers of Plasterboard to one side of frame (Fire side)

System Number	Lining Suffix	Fire Rating	Load Bearing Ability	Noise Control		Lining Requirement	Cladding (Required)
				STC	Rw		
E2UW30	-F20	30/30/30	LB	N/A	N/A	2 x 10mm Elephant FireSmart on One side	Any Cladding

Framing

Timber or Steel Frame designed to meet durability and structural criteria for strength and serviceability under dead and live loads.

Studs at 600mm centres maximum.

Stud width to be a minimum of 35mm.

Cavity depth to be a minimum of 90mm.

Wall Height, Load and Framing Dimensions

Timber frame : Refer to NZS3604 stud tables for height and framing dimensions of load bearing and non-load bearing partitions.

Steel frame : Refer to specific designs.

Exterior Cladding

The Exterior wall must be clad with a suitable weathertight material. E.g. Brick Veneer, fibre cement sheeting, timber weatherboards etc.

Plasterboard Lining (Fire side)

Two layers of Elephant Plasterboard lining as per specified system above on one side of the framing.

Vertical or Horizontal fixing permitted. Use full height or full length sheets where possible. All outer layer joints must be staggered from inner layer joints.

Inner layer: All vertical or horizontal sheet joints of the inner layer must be formed over framing.

Outer layer(vertical fixing): All sheet joints must be fixed over framing. All vertical sheet joints must be fixed over framing. Sheet end butt joints do not need to be formed over framing but must be offset from inner layer

Outer layer(horizontal fixing): All sheet joints must be fixed over framing except longitudinal sheet joints of the outer layer, which do not need to be formed over framing. Sheet end butt joints must be formed over framing.

For steel frame, linings are fixed hard to the floor.

Sheets shall be touch fitted.

Fixing of Linings

Fasteners

System Number	Timber Frame		Steel Frame	
	1 st Layer	2 nd Layer	1 st Layer	2 nd Layer
	High Thread Drywall Screws		Self-Tapping Drywall Screws	
E2UW30-F20	10mm	10mm	10mm	10mm
	41 x 6g	51 x 7g	25 x 6g	32 x 6g

Fastener Centres

Inner Layer: Fix at 300mm centres up each stud.

Outer Layer: Fix at 300mm centres up each stud.

Place fasteners no closer than 12mm from sheet edges and 18mm from sheet ends.

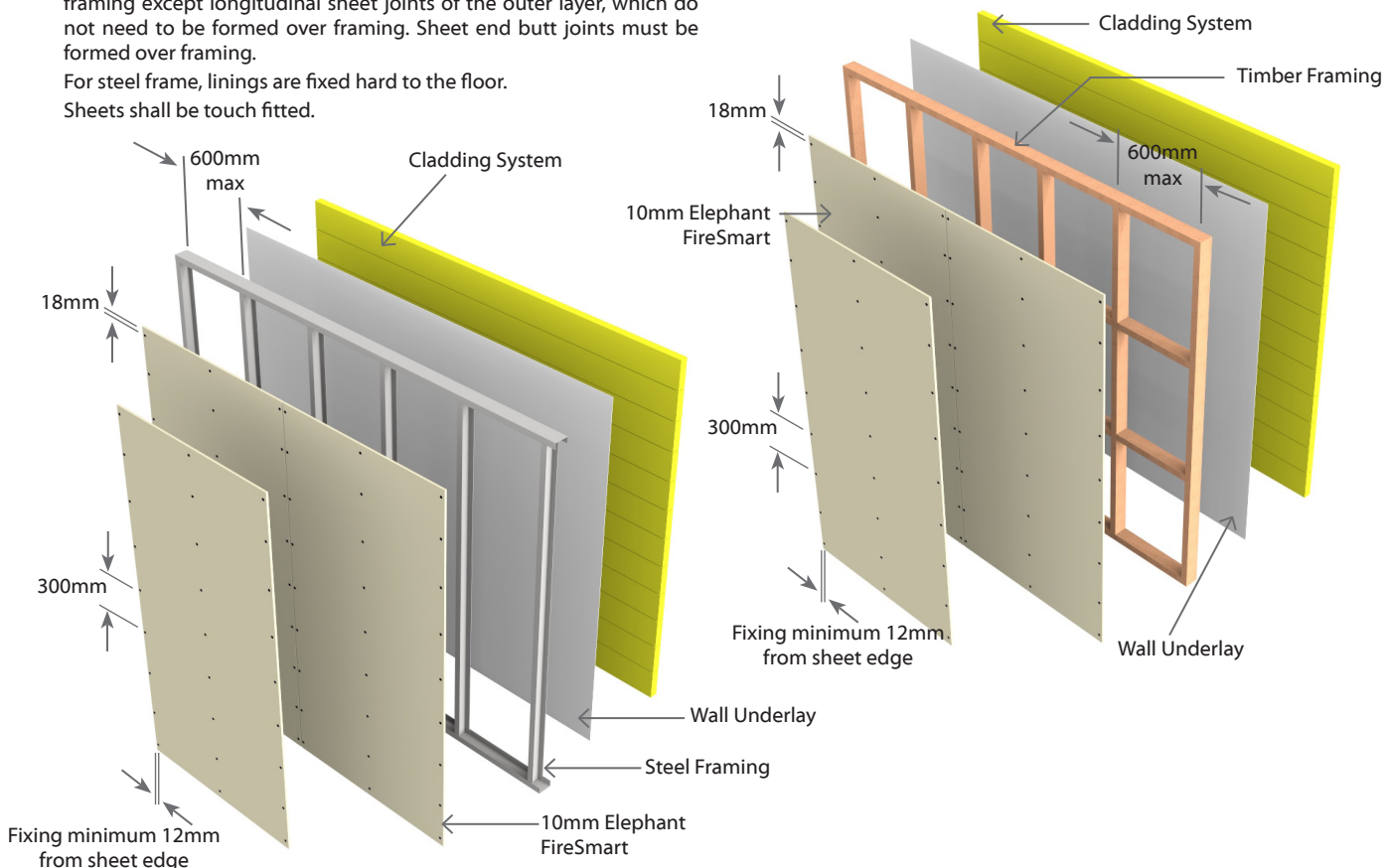
Place fasteners at 200mm centres where sheet end butt joints occur.

Avoid outer layer screws from hitting inner layer screws.

Jointing

Inner Layer: Unstopped.

Outer Layer: All fastener heads stopped and all sheet joints reinforced and stopped. All in accordance with Elephant Plasterboard Installation Guide.



2 Layers: 2 Layers of Plasterboard to one side of frame (Fire side)

System Number	Lining Suffix	Fire Rating	Load Bearing Ability	Noise Control		Lining Requirement	Cladding (Required)
				STC	Rw		
E2UW45	-M26	45/45/45	LB	N/A	N/A	2 x 13mm Elephant MultiSmart on One side	Any Cladding

Framing

Timber or Steel Frame designed to meet durability and structural criteria for strength and serviceability under dead and live loads. Studs at 600mm centres maximum. Stud width to be a minimum of 35mm. Cavity depth to be a minimum of 90mm.

Wall Height , Load and Framing Dimensions

Timber frame : Refer to NZS3604 stud tables for height and framing dimensions of load bearing and non-load bearing partitions. Steel frame : Refer to specific designs.

Exterior Cladding

The Exterior wall must be clad with a suitable weathertight material. E.g. Brick Veneer, fibre cement sheeting, timber weatherboards etc.

Plasterboard Lining (Fire side)

Two layers of Elephant Plasterboard lining as per specified system above on one side of the framing. Vertical or Horizontal fixing permitted. Use full height or full length sheets where possible. All outer layer joints must be staggered from inner layer joints.

Inner layer: All vertical or horizontal sheet joints of the inner layer must be formed over framing.

Outer layer(vertical fixing): All sheet joints must be fixed over framing. All vertical sheet joints must be fixed over framing. Sheet end butt joints do not need to be formed over framing but must be offset from inner layer

Outer layer(horizontal fixing): All sheet joints must be fixed over framing except longitudinal sheet joints of the outer layer, which do not need to be formed over framing. Sheet end butt joints must be formed over framing.

For steel frame, linings are fixed hard to the floor. Sheets shall be touch fitted.

Fixing of Linings Fasteners

System Number	Timber Frame		Steel Frame	
	1 st Layer	2 nd Layer	1 st Layer	2 nd Layer
	High Thread Drywall Screws		Self-Tapping Drywall Screws	
E2UW45-M26	13mm	13mm	13mm	13mm
	32 x 6g	51 x 7g	25 x 6g	41 x 6g

Fastener Centres

Inner Layer: Fix at 300mm centres up each stud.

Outer Layer: Fix at 300mm centres up each stud.

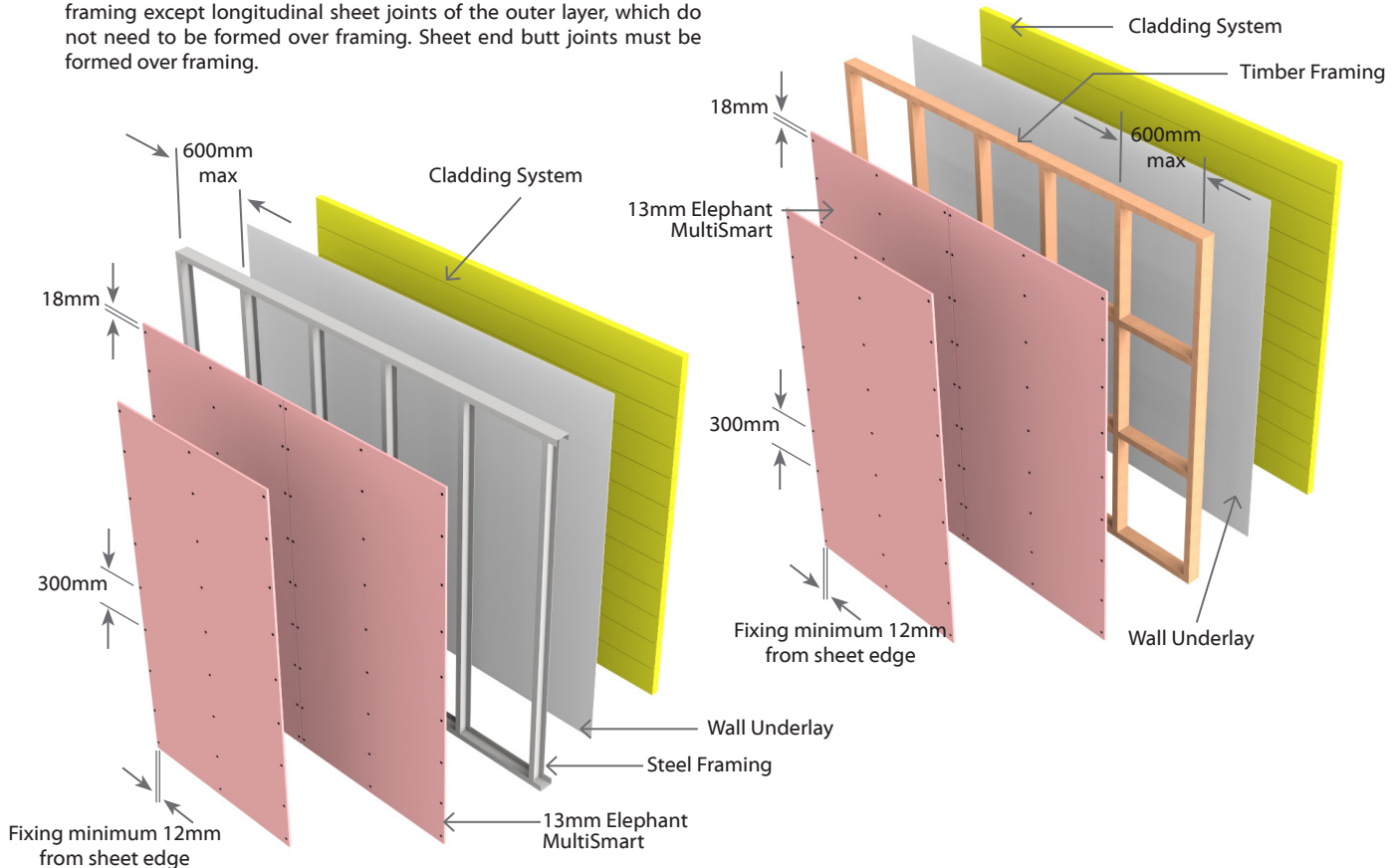
Place fasteners no closer than 12mm from sheet edges and 18mm from sheet ends.

Place fasteners at 200mm centres where sheet end butt joints occur. Avoid outer layer screws from hitting inner layer screws.

Jointing

Inner Layer: Unstopped.

Outer Layer: All fastener heads stopped and all sheet joints reinforced and stopped. All in accordance with Elephant Plasterboard Installation Guide.



E2UW60

Universal Timber or Steel Frame Wall

Load Bearing

One Way FRR

2 Layers: 2 Layers of Plasterboard to one side of frame (Fire side)

System Number	Lining Suffix	Fire Rating	Load Bearing Ability	Noise Control		Lining Requirement	Cladding (Required)
				STC	Rw		
E2UW60	-M26a	60/60/60**	LB	N/A	N/A	2 x 13mm Elephant MultiSmart on One side	NO Polymeric foam
	-MF29	60/60/60	LB	N/A	N/A	1 x 13mm Elephant MultiSmart and 1 x 16mm Elephant FireSmart on One side	Any Cladding

** N.B. System E2UW60-M26a and E2UW60-MF26a achieves the stated fire rating with cladding systems that do not incorporate polymeric foam

Framing

Timber or Steel Frame designed to meet durability and structural criteria for strength and serviceability under dead and live loads. Studs at 600mm centres maximum. Stud width to be a minimum of 35mm. Cavity depth to be a minimum of 90mm.

Wall Height, Load and Framing Dimensions

Timber frame : Refer to NZS3604 stud tables for height and framing dimensions of load bearing and non-load bearing partitions.

Steel frame : Refer to specific designs.

Exterior Cladding

Exterior walls must be clad with a suitable weathertight material. E.g. Brick Veneer, fibre cement sheeting, timber weatherboards etc.

N.B. Cladding cannot contain polymeric foam for system E2UW60-M26a & E2UW60-MF26a.

Plasterboard Lining (Fire side)

Two layers of Elephant Plasterboard lining as per specified system above on one side of the framing.

Vertical or Horizontal fixing permitted. Use full height or full length sheets where possible. All vertical joints of the inner layer must be formed over framing. All outer layer joints must be offset from inner layer joints. For steel frame, linings are fixed hard to the floor. Sheets shall be touch fitted.

Note: For system E2UW60-MF26, the outer layer must always be 16mm Elephant FireSmart.

E2UW60-M26a:

Where sheet end butt joints are unavoidable, the inner layer joints must be formed over nogs. Stagger the outer layer butt joints from the inner layer by minimum 100mm.

E2UW60-MF29:

Sheet end butt joints do not need to be formed over nogs. Stagger the outer layer butt joints from the inner layer by minimum 100mm.

Fixing of Linings

Fasteners (As per Specified System Above)

System Number	Timber Frame		Steel Frame	
	1 st Layer	2 nd Layer	1 st Layer	2 nd Layer
	High Thread Drywall Screws		Self-Tapping Drywall Screws	
E2UW60-M26a	13mm	13mm	13mm	13mm
	32 x 6g	51 x 7g	25 x 6g	41 x 6g
E2UW60-MF29 (opt-1)	13mm	16mm	13mm	16mm
	32 x 6g	51 x 7g	32 x 6g	51 x 7g
E2UW60-FM29 (opt-2)	16mm	13mm	16mm	13mm
	41 x 6g	51 x 7g	32 x 6g	41 x 6g

Fastener Centres

Inner Layer: Fix at 300mm centres up each stud.

Outer Layer: Fix at 300mm centres up each stud.

Place fasteners no closer than 12mm from sheet edges and 18mm from sheet ends.

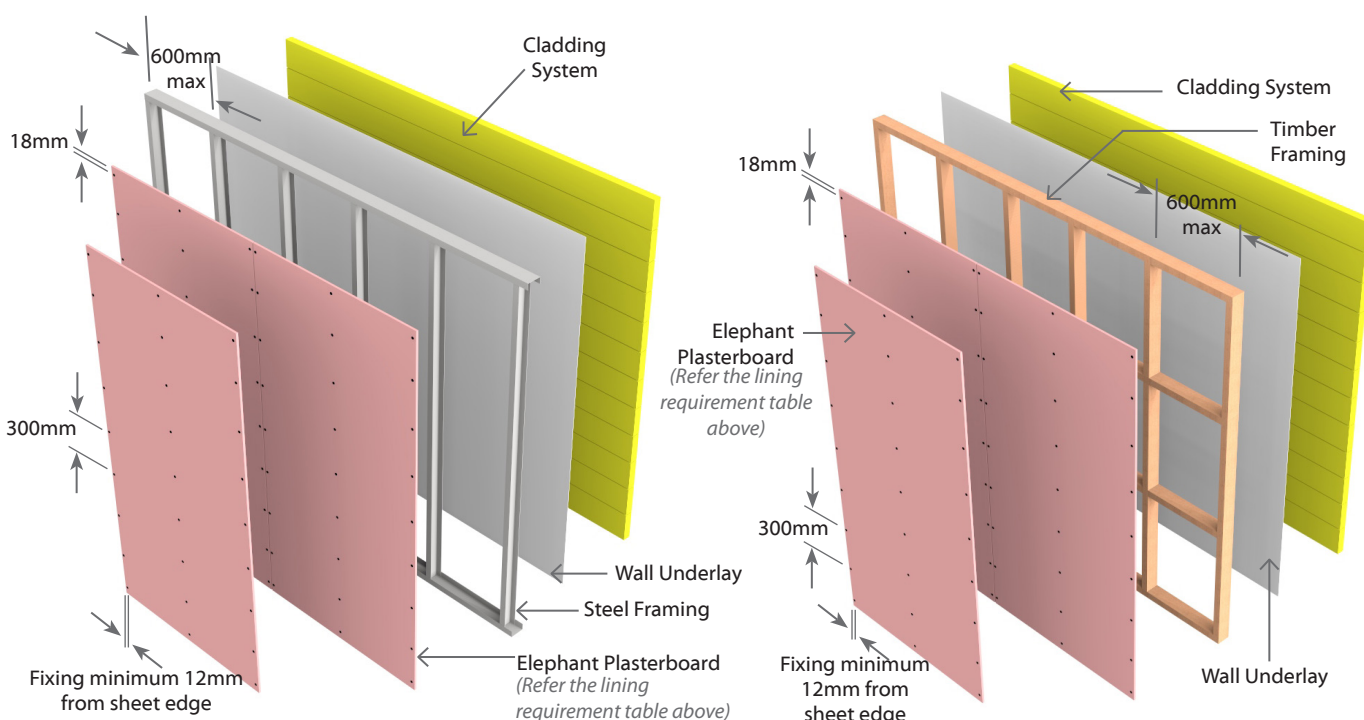
Place fasteners at 200mm centres where sheet end butt joints occur.

Avoid outer layer screws from hitting inner layer screws.

Jointing

Inner Layer: Unstopped.

Outer Layer: All fastener heads stopped and all sheet joints reinforced and stopped. All in accordance with Elephant Plasterboard Installation Guide.



3 Layers: 3 Layers of Plasterboard to one side of frame (Fire side)

System Number	Lining Suffix	Fire Rating	Load Bearing Ability	Noise Control		Lining Requirement	Cladding (Required)
				STC	Rw		
E3UW90	-M39a	90/90/90**	LB	N/A	N/A	3 x 13mm Elephant MultiSmart on One side	NO Polymeric foam
	-FM42	90/90/90	LB	N/A	N/A	1 x 16mm Elephant FireSmart and 2 x 13mm Elephant MultiSmart on One side	Any Cladding

** N.B. System E3UW90-M39a achieves the stated fire rating with cladding systems that do not incorporate polymeric foam

Framing

Timber or Steel Frame designed to meet durability and structural criteria for strength and serviceability under dead and live loads.

Studs at 600mm centres maximum.

Stud width to be a minimum of 35mm.

Cavity depth to be a minimum of 90mm.

Wall Height, Load and Framing Dimensions

Timber frame : Refer to NZS3604 stud tables for height and framing dimensions of load bearing and non-load bearing partitions.

Steel frame : Refer to specific designs.

Exterior Cladding

The Exterior wall must be clad with a suitable weathertight material. E.g. Brick Veneer, fibre cement sheeting, timber weatherboards etc.

N.B. Cladding cannot contain polymeric foam for system E2UW90-M39a.

Plasterboard Lining (Fire side)

Three layers of Elephant Plasterboard lining as per specified system above on one side of the framing.

Vertical or Horizontal fixing permitted. Use full height or full length sheets where possible.

Inner layer: The vertical or horizontal sheet joints of the inner layer must be formed over framing.

Outer layer(vertical fixing): All sheet joints must be fixed over framing.

Outer layer(horizontal fixing): All sheet joints must be fixed over framing except longitudinal sheet joints of the outer layer, which do not need to be formed over framing.

Sheet end butt joints must be formed over framing.

All outer layer joints must be staggered from inner layer joints.

For steel frame, linings are fixed hard to the floor.

Sheets shall be touch fitted.

Fixing of Linings

Fasteners (As per Specified System Above)

System Number	Timber Frame			Steel Frame		
	1 st Layer	2 nd Layer	3 rd Layer	1 st Layer	2 nd Layer	3 rd Layer
	High Thread Drywall Screws			Self-Tapping Drywall Screws		
E3UW90-M39a	13mm	13mm	13mm	13mm	13mm	13mm
	41 x 6g	51 x 7g	63 x 8g	25 x 6g	41 x 6g	51 x 7g
E3UW90-FM42	16mm	13mm	13mm	16mm	13mm	13mm
	41 x 6g	51 x 7g	63 x 8g	32 x 6g	41 x 6g	63 x 8g

Fastener Centres

First and Second Layer: Fix at 300mm centres up each stud.

Outer Layer: Fix at 300mm centres up each stud.

Place fasteners no closer than 12mm from sheet edges and 18mm from sheet ends..

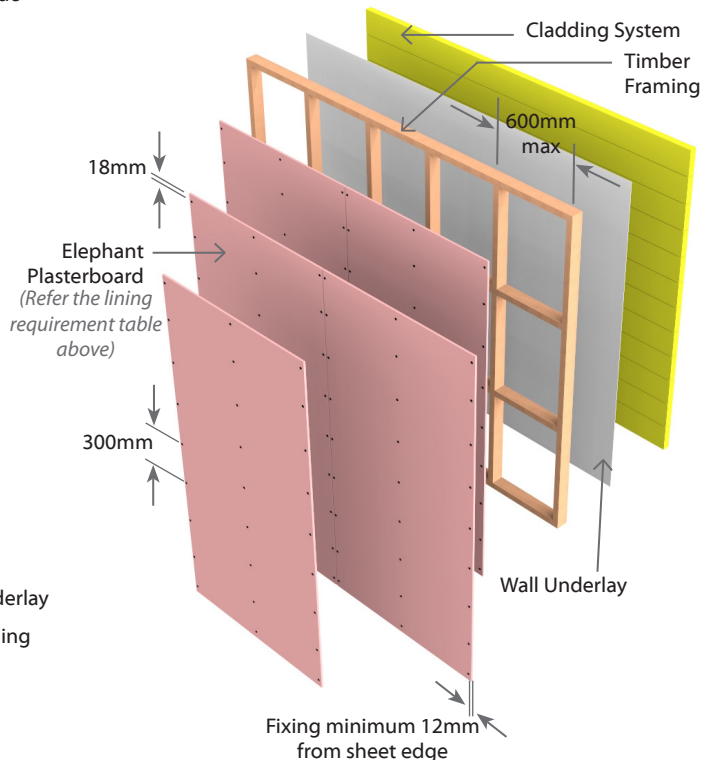
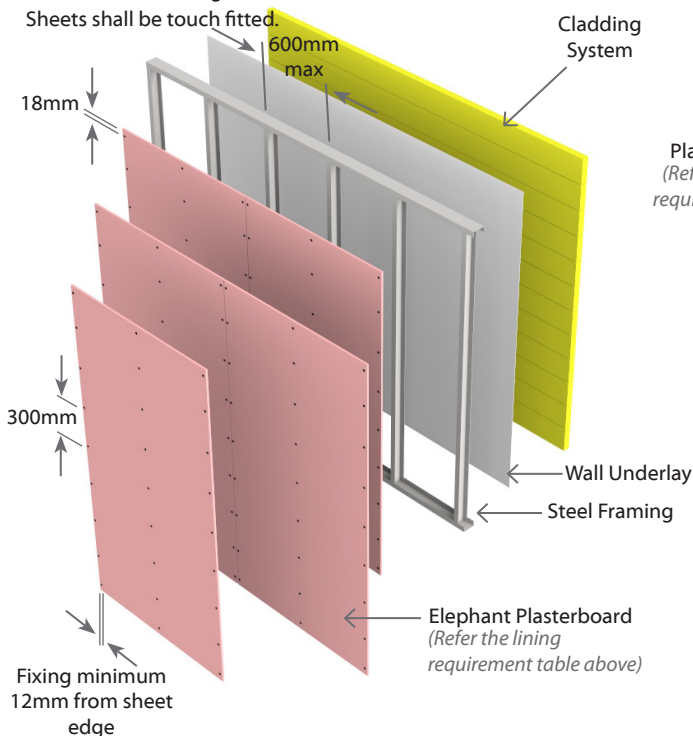
Place fasteners at 200mm centres where sheet end butt joints occur.

Avoid outer layer screws from hitting inner layer screws.

Jointing

1st and 2nd Layers: Unstopped

Outer Layer: All fastener heads stopped and all sheet joints reinforced and stopped. All in accordance with Elephant Plasterboard Installation Guide.



3 Layers: 3 Layers of Plasterboard to one side of frame (Fire side)

System Number	Lining Suffix	Fire Rating	Load Bearing Ability	Noise Control		Lining Requirement	Cladding (Required)
				STC	Rw		
E3UW120	-MF45a	120/120/120**	LB	N/A	N/A	1 x 13mm Elephant MultiSmart and 2 x 16mm Elephant FireSmart on One Side	NO Polymeric foam

** N.B. System E3UW120-MF45a achieves the stated fire rating with cladding systems that do not incorporate polymeric foam

Framing

Timber or Steel Frame designed to meet durability and structural criteria for strength and serviceability under dead and live loads.

Studs at 600mm centres maximum.

Stud width to be a minimum of 35mm.

Cavity depth to be a minimum of 90mm.

Wall Height, Load and Framing Dimensions

Timber frame : Refer to NZS3604 stud tables for height and framing dimensions of load bearing and non-load bearing partitions.

Steel frame : Refer to specific designs.

Exterior Cladding

The Exterior wall must be clad with a suitable weathertight material. E.g. Brick Veneer, fibre cement sheeting, timber weatherboards etc.

N.B. Cladding cannot contain polymeric foam .

Plasterboard Lining (Fire side)

One layer of 13mm Elephant MultiSmart and Two layers of 16mm Elephant FireSmart lining on one side of the framing.

Vertical or Horizontal fixing permitted. Use full height or full length sheets where possible.

Inner layer: The vertical or horizontal sheet joints of the inner layer must be formed over framing.

Outer layer(vertical fixing): All sheet joints must be fixed over framing.

Outer layer(horizontal fixing): All sheet joints must be fixed over framing except longitudinal sheet joints of the outer layer, which do not need to be formed over framing.

Sheet end butt joints must be formed over framing.

All outer layer joints must be staggered from inner layer joints.

For steel frame, linings are fixed hard to the floor.

Sheets shall be touch fitted.

Fixing of Linings

Fasteners

System Number	Timber Frame			Steel Frame		
	1 st Layer	2 nd Layer	3 rd Layer	1 st Layer	2 nd Layer	3 rd Layer
	High Thread Drywall Screws			Self-Tapping Drywall Screws		
E3UW120-MF45a	13mm	16mm	16mm	13mm	16mm	16mm
	32 x 6g	51 x 7g	63 x 8g	25x 6g	41 x 7g	63 x 8g

Fastener Centres

First and Second Layer: Fix at 300mm centres up each stud.

Outer Layer: Fix at 300mm centres up each stud.

Place fasteners no closer than 12mm from sheet edges and 18mm from sheet ends..

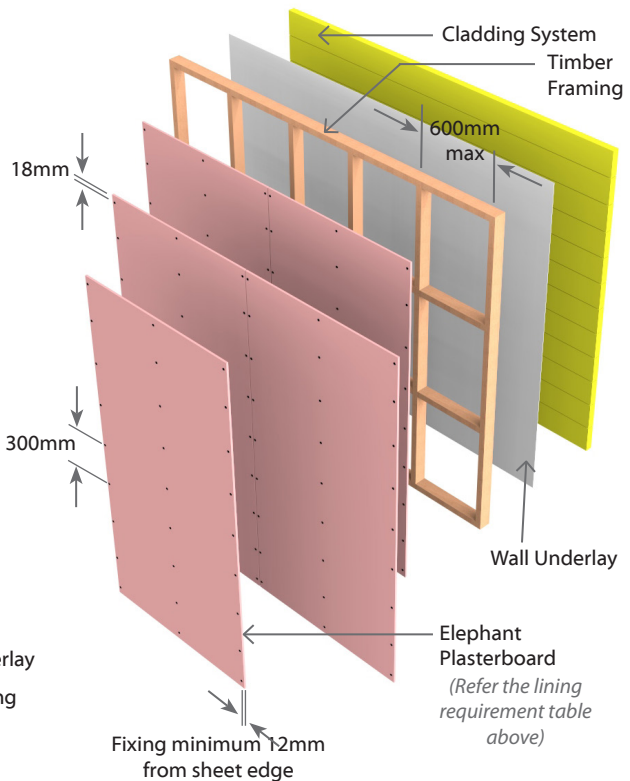
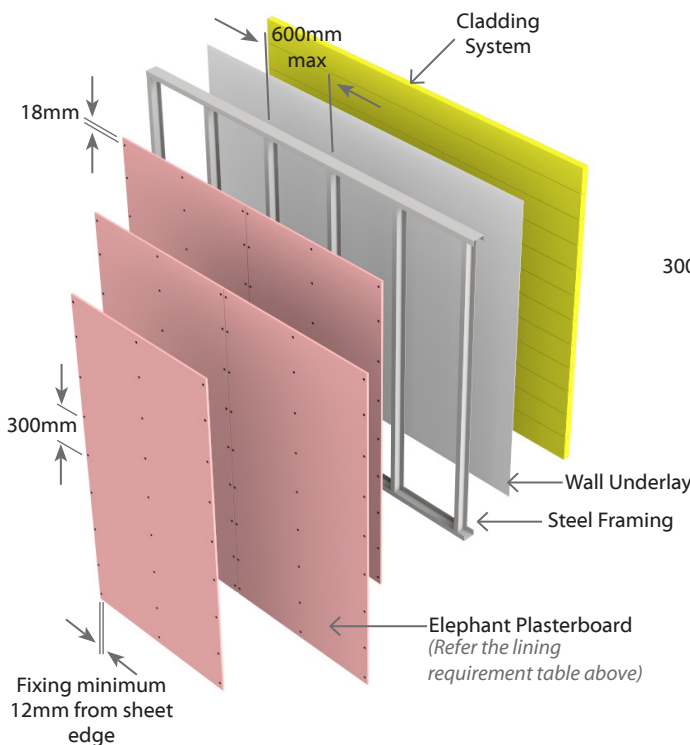
Place fasteners at 200mm centres where sheet end butt joints occur.

Avoid outer layer screws from hitting inner layer screws.

Jointing

1st and 2nd Layers: Unstopped

Outer Layer: All fastener heads stopped and all sheet joints reinforced and stopped. All in accordance with Elephant Plasterboard Installation Guide.



E2TL30S

Single Timber Frame Wall with Simultaneous Fire Exposure on Both sides

Load Bearing

Two Way FRR

2 Layers: 1 Layer of Plasterboard to each side of frame

System Number	Lining Suffix	Fire Rating	Load Bearing Ability	Noise Control		Lining Requirement
				STC	Rw	
E2TL30S	-M26	30/--/--	LB	38	37	1 x 13mm Elephant MultiSmart on One Side 1 x 13mm Elephant MultiSmart to Other Side

Framing

Framing to comply with relevant sections and clauses of NZBC B1: Structure and NZBC B2: Durability.

Studs at 600mm centres maximum.

Nogs at 1000mm centre maximum.

Wall Height, Load and Framing Dimensions

These are determined by NZS3604 stud tables for load bearing or non-load bearing partitions.

Plasterboard Lining

One layer of 13mm Elephant MultiSmart lining on each side of the timber framing. Vertical or Horizontal fixing permitted. Use full height or full length sheets where possible.

For Vertical Fixing- the vertical sheet joints must be offset on the opposite side of the frame.

For Horizontal Fixing- the horizontal sheet joints on the opposite side of the frame can be formed over the same row of nogs.

Sheet end butt joints- must be formed over framing, offset from opposite side of the frame.

All sheet joints must be fixed over solid timber framing.

Sheets shall be touch fitted.

Fixing of Linings

Fasteners

System Number	Side One	Side Two
	High Thread Drywall Screws	
E2TL30S-M26	13mm	13mm
	41 x 6g	41 x 6g

Fastener Centres

Fix at 300mm centres at sheet perimeters and on top and bottom plates. And 300mm centres up all studs.

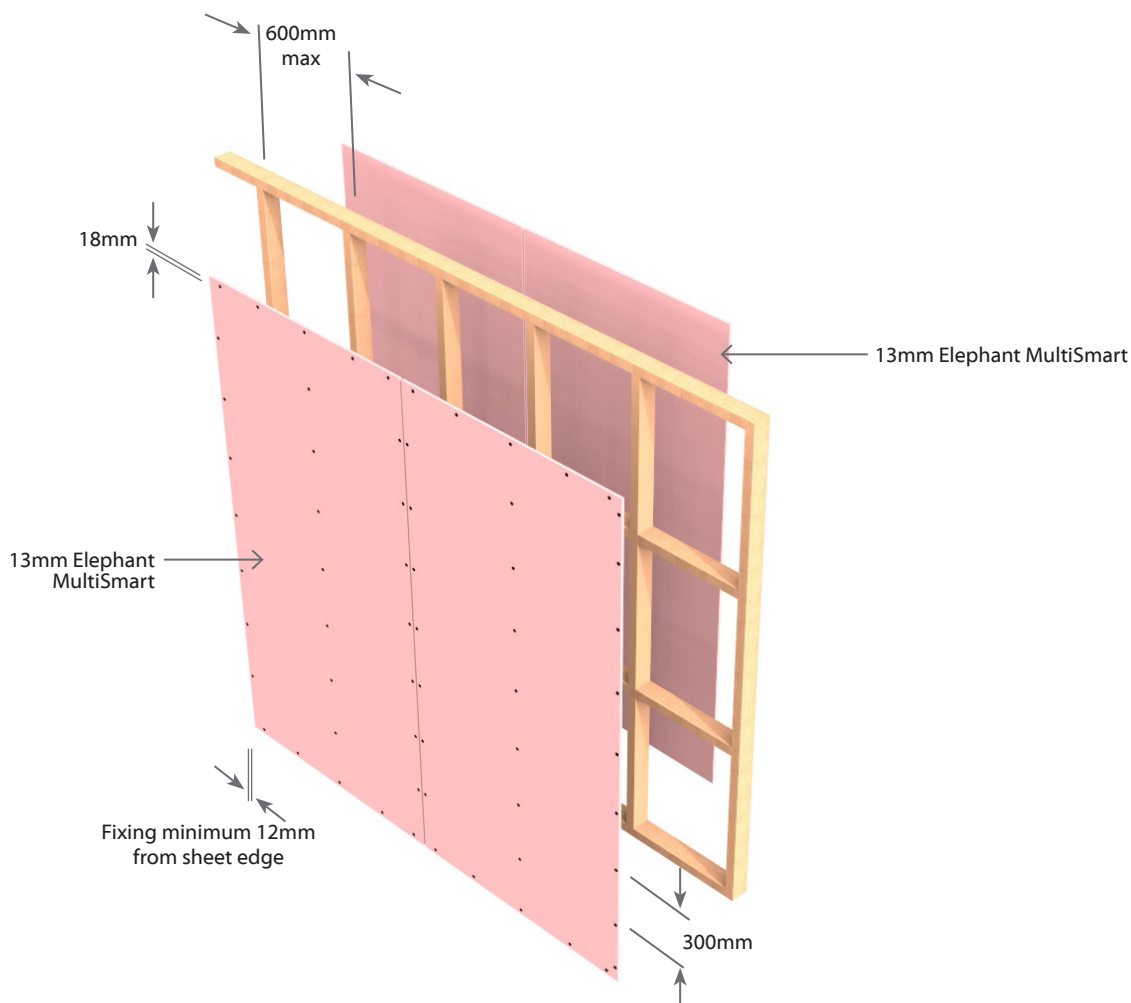
Place fasteners 50mm from sheet corners along the top and bottom plates. On end studs place additional fasteners 50-60mm vertically and no close than 10mm from plate to stud connections.

Place fasteners no closer than 12mm from the sheet edges and 18mm from sheet ends.

Place fasteners at 200mm centres where sheet end butt joints occur.

Jointing

All fastener heads stopped and all sheet joints reinforced with paper jointing tape and stopped. All in accordance with Elephant Plasterboard Installation Guide.



E4TL60S

Single Timber Frame Wall with Simultaneous Fire Exposure on Both sides

Load Bearing

Two Way FRR

2 Layers: 1 Layer of Plasterboard to each side of frame

System Number	Lining Suffix	Fire Rating	Load Bearing Ability	Noise Control		Lining Requirement
				STC	Rw	
E4TL60S	-M52	60/--/--	LB	46	45	2 x 13mm Elephant MultiSmart on One Side 2 x 13mm Elephant MultiSmart to Other Side

Framing

Framing to comply with relevant sections and clauses of NZBC B1: Structure and NZBC B2: Durability.

Studs at 600mm centres maximum.

Nogs at 1000mm centre maximum.

Wall Height, Load and Framing Dimensions

These are determined by NZS3604 stud tables for load bearing or non-load bearing partitions.

Plasterboard Lining

Two layers of 13mm Elephant MultiSmart lining on each side of the timber framing. Vertical or Horizontal fixing permitted. Use full height or full length sheets where possible.

For Vertical Fixing- the vertical sheet joints must be offset on the opposite side of the frame and staggered between layers.

For Horizontal Fixing- the horizontal sheet joints on the opposite side of the frame can be formed over the same row of nogs and must be staggered between layers.

Optionally, inner layers can be fixed vertically and outer layers fixed horizontally.

Sheet end butt joints- must be formed over framing, offset from opposite side of the frame and staggered between layers.

All sheet joints must be fixed over solid timber framing.

Sheets shall be touch fitted.

Fixing of Linings

Fasteners

System Number	Side One		Side Two	
	1 st Layer	2 nd Layer	1 st Layer	2 nd Layer
	High Thread Drywall Screws			
E4TL60S-M52	13mm	13mm	13mm	13mm
	41 x 6g	51 x 7g	41 x 6g	51 x 7g

Fastener Centres

Inner Layer: Fix 600mm centres at sheet perimeters and on top and bottom plates. Fix at 600mm up each stud.

Outer Layer: Fix at 300mm centres at sheet perimeters and on top and bottom plates and 300mm centres up each stud.

Place fasteners 50mm from sheet corners along the top and bottom plates. On end studs place additional fasteners 50-60mm vertically and no close than 10mm from plate to stud connections.

Place fasteners no closer than 12mm from the sheet edges and 18mm from sheet ends.

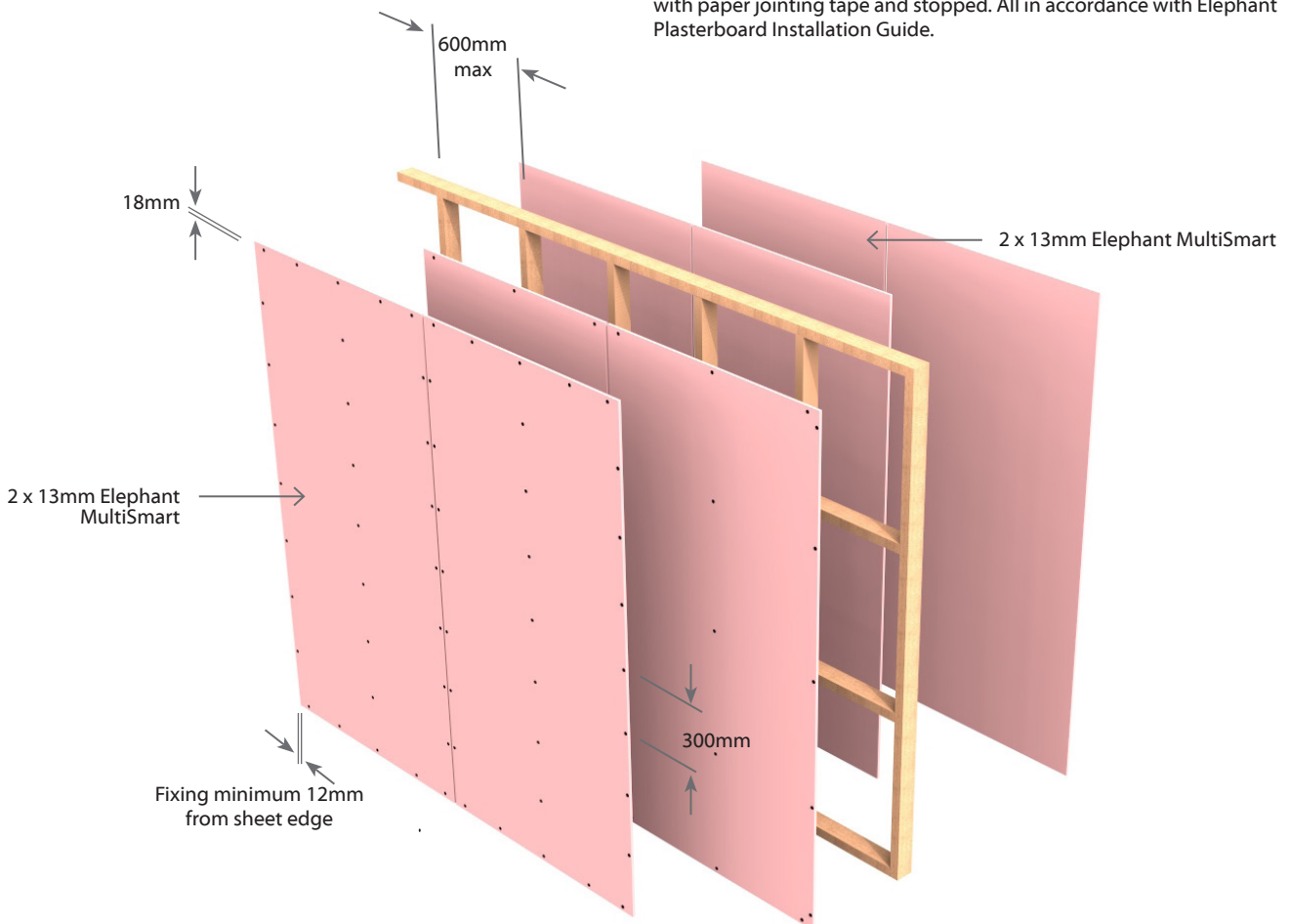
Place fasteners at 200mm centres where sheet end butt joints occur.

Avoid outer layer screws from hitting inner layer screws.

Jointing

Inner Layer: Unstopped

Outer Layer: All fastener heads stopped and all sheet joints reinforced with paper jointing tape and stopped. All in accordance with Elephant Plasterboard Installation Guide.



2 Layers: 1 Layer of Plasterboard to each side of frame

System Number	Lining Suffix	Fire Rating	Load Bearing Ability	Noise Control		Lining Requirement
				STC	Rw	
E2sm10	-	10/10/10	N/A	N/A	N/A	1 x minimum 10mm Elephant Plasterboard on One side 1 x minimum 10mm Elephant Plasterboard to Other side

Framing

Timber or Steel Frame designed to meet durability and structural criteria for strength and serviceability under dead and live loads.

Studs at 600mm centres maximum.

Stud width to be a minimum of 35mm.

Plasterboard Lining

One layer of minimum 10mm Elephant Plasterboard lining on each side of the framing.

Vertical or Horizontal fixing permitted. Use full height or full length sheets where possible.

For Horizontal Fixing, the horizontal sheet joints need not be formed directly over framing.

Sheets shall be touch fitted.

Penetrations

Penetrations in cavities are permitted on one side of the framing for plumbing and electrical services, with a maximum of two per stud bay. Metal plumbing services up to 65mm in diameter and metal flush boxes up to 90 x 50mm are permitted. Ensure all penetrations through smoke walls have sealant around the cover plates attached to metal flush boxes or around plumbing services.

Fixing of Linings

Fix the linings as per the Elephant Plasterboard Installation Guide.

For higher FRR requirements follow the Fixing of Linings instruction for the relevant FRR system.

Fasteners

For minimum screw lengths, refer Elephant Plasterboard Installation guide. For multiple layer board combinations consider longer screw lengths, ensuring a minimum penetration of 25mm for timber and 12mm for steel.

Fastener Centres

Fix at 300mm centres at sheet perimeters, on top and bottom plates and 300mm centres up all end studs. When fixing horizontally, screw fasteners at the points where the horizontal joint crosses the stud.

Place fasteners 50mm from sheet corners along the top and bottom plates. On end studs place additional fasteners 50-60mm vertically and no close than 10mm from plate to stud connections.

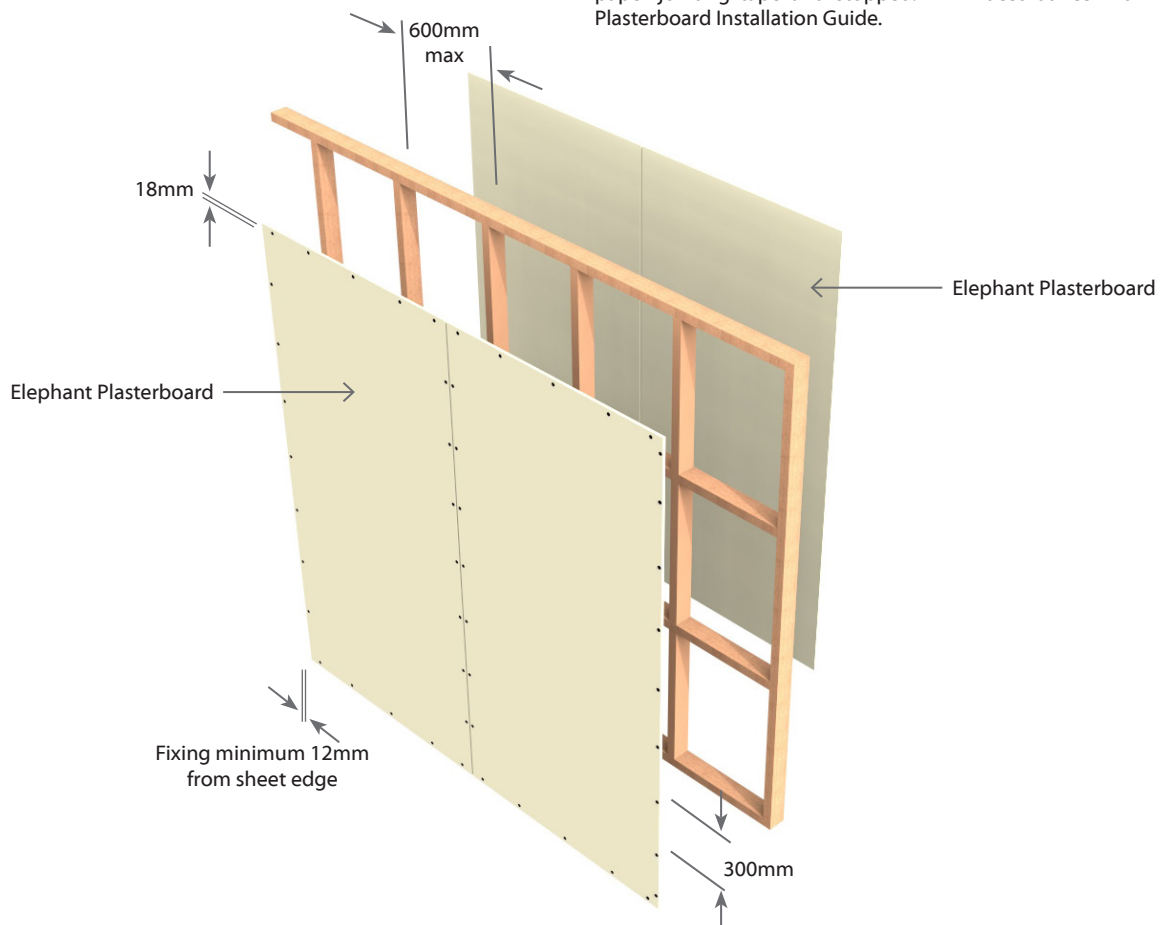
Place fasteners no closer than 12mm from the sheet edges and 18mm from sheet ends.

Intermediate studs may be fixed with fasteners or adhesives. Fix at 300mm centres. Adhesives not to be placed at sheet edges or within 200mm of mechanical fasteners.

Ensure all perimeter gaps are plaster stopped or sealed with a general purpose flexible sealant ensuring the passage of smoke is restricted.

Jointing

All fastener heads stopped and all sheet joints reinforced with paper jointing tape and stopped. All in accordance with Elephant Plasterboard Installation Guide.



Fire Rated Floor/Ceiling Systems



E1FC15

Floor/Ceiling

Load Bearing

1 Layer: 1 Layer of Plasterboard to underside side of frame

System Number	Lining Suffix	Fire Rating	Load Bearing Ability	Noise Control			Lining Requirement
				STC	Rw	IIC	
E1FC15	-S13	15/15/15	LB	38	37	31	1 x 13mm Elephant Standard

Floor Framing

Timber floor joists shall comply with NZS3604 with a minimum depth of 140mm x 45mm and spaced at no more than 600mm centres. Solid strutting is required in accordance with NZS3604.

Alternatively, a proprietary I-joist system may be used subject to specific structural design and approved by the normal building consent process.

Nogs fixed on the flat to receive the ends of flooring material shall be 90mm x 45mm minimum.

Flooring

Minimum flooring shall be nominal 20mm thick particle board or minimum 17mm thick structural plywood, fixed to the joists as per manufacturers' instructions.

Flooring sheet joints must either be formed over framing or have a polypropylene tongue and groove jointer.

Ceiling Framing

Nogs fixed on the flat to receive the Elephant Plasterboard lining shall be 70mm x 45mm minimum. They are spaced at 600mm centres for joist at 600mm centres or at 1200mm centres for joists at 450mm centres.

Nogs or framing is required at the perimeter of the fire rated ceiling.

Plasterboard Lining

One layer of 13mm Elephant Standard fixed at right angles directly to the underside of floor joists.

All joints must occur on joists and solid blocking.

Sheets shall be touch fitted.

Fixing of Linings

Fasteners

System Number	Single Layer
	High Thread Drywall Screws
E1FC15-S13	13mm
	41 x 6g

Fastener Centres

Place fasteners 150mm centres around the perimeter of each sheet. 200mm centres across each joist and at the centre of each nog.

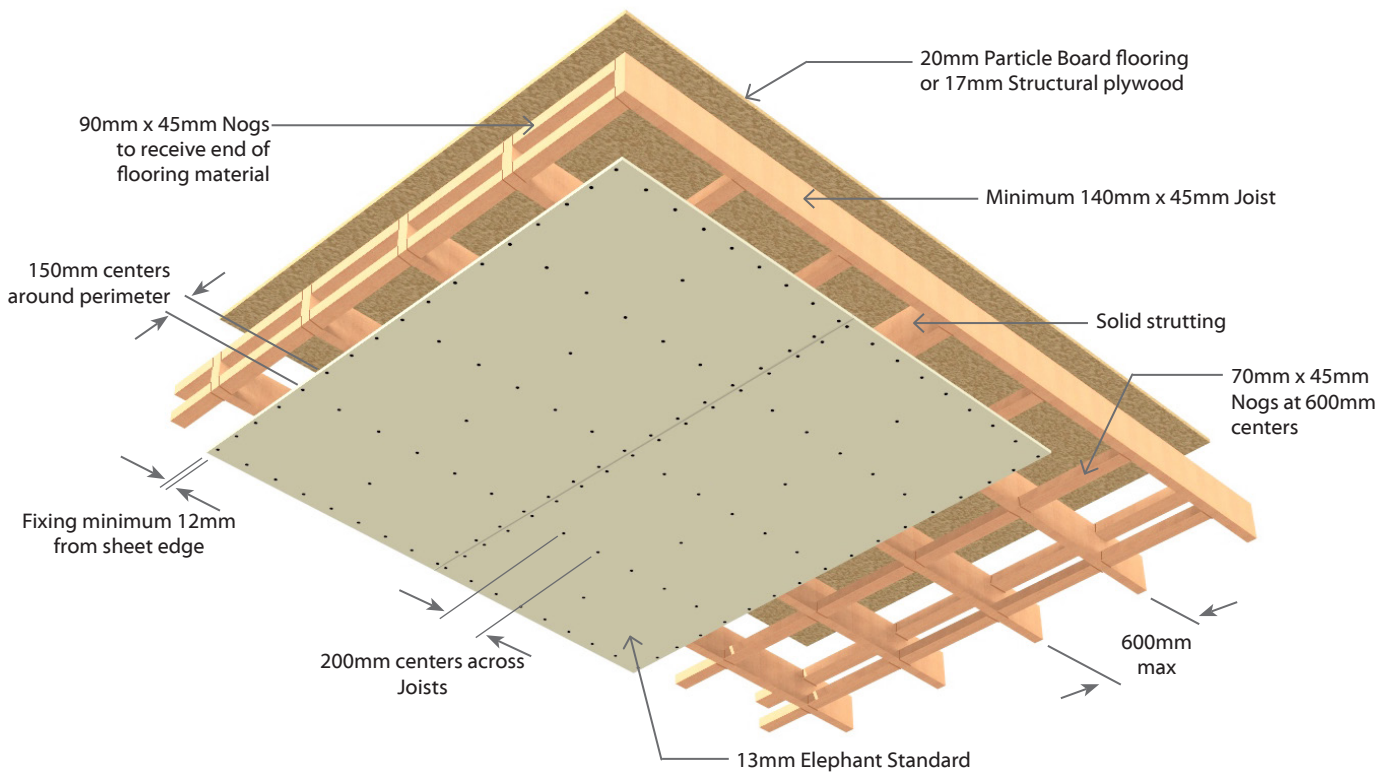
Place fasteners no closer than 12mm from sheet edges and 18mm from sheet ends.

Wall/Ceiling Junction

The internal angle between the ceilings and walls must be protected by Cornice or square stopped corners, taped and filled in accordance with Elephant Plasterboard Installation Guide.

Jointing

All fastener heads stopped and all sheet joints reinforced with paper jointing tape and stopped. All in accordance with the Elephant Plasterboard Installation Guide.



1 Layer: 1 Layer of Plasterboard to underside side of frame

System Number	Lining Suffix	Fire Rating	Load Bearing Ability	Noise Control			Lining Requirement
				STC	Rw	IIC	
E1FC30	-M13	30/30/30	LB	39	38	32	1 x 13mm Elephant MultiSmart

Floor Framing

Timber floor joists shall comply with NZS3604 with a minimum depth of 190mm x 45mm and spaced at no more than 600mm centres. Solid strutting is required in accordance with NZS3604.

Nogs fixed on the flat to receive the ends of flooring material shall be 90mm x 45mm minimum.

Flooring

Minimum flooring shall be nominal 20mm thick particle board or minimum 17mm thick structural plywood, fixed to the joists as per manufacturers' instructions.

Flooring sheet joints must either be formed over framing or have a polypropylene tongue and groove jointer.

Ceiling Framing

Nogs shall be 70mm x 35mm minimum, fixed on the flat in between joists to receive the Elephant Plasterboard lining. They are spaced at 600mm centres for joist at 600mm centres or at 1200mm centres for joists at 450mm centres.

Nogs or framing is required at the perimeter of the fire rated ceiling.

Alternative Framing

In situations where NZS3604 allows for 140mm deep joists a 70mm x 45mm ceiling batten and nog shall be used to build up the joist depth.

Also in situations where the 70mm x 35mm ceiling battens have been fixed over the 190mm joists instead of nogged within the joists, the alternative framing method can be used to ensure that the fire integrity is maintained.

Refer to E1FC45 Alternative Framing specifications.

Plasterboard Lining

One layer of 13mm Elephant MultiSmart fixed at right angles directly to the underside of floor joists.

All joints must occur on joists and solid blocking.

Sheets to be touch fitted.

Fixing of Linings

Fasteners

System Number	Single Layer
	High Thread Drywall Screws
E1FC30-M13	13mm
	41 x 6g

Fastener Centres

Place fasteners 150mm centres around the perimeter of each sheet.

200mm centres across each joist and at the centre of each nog.

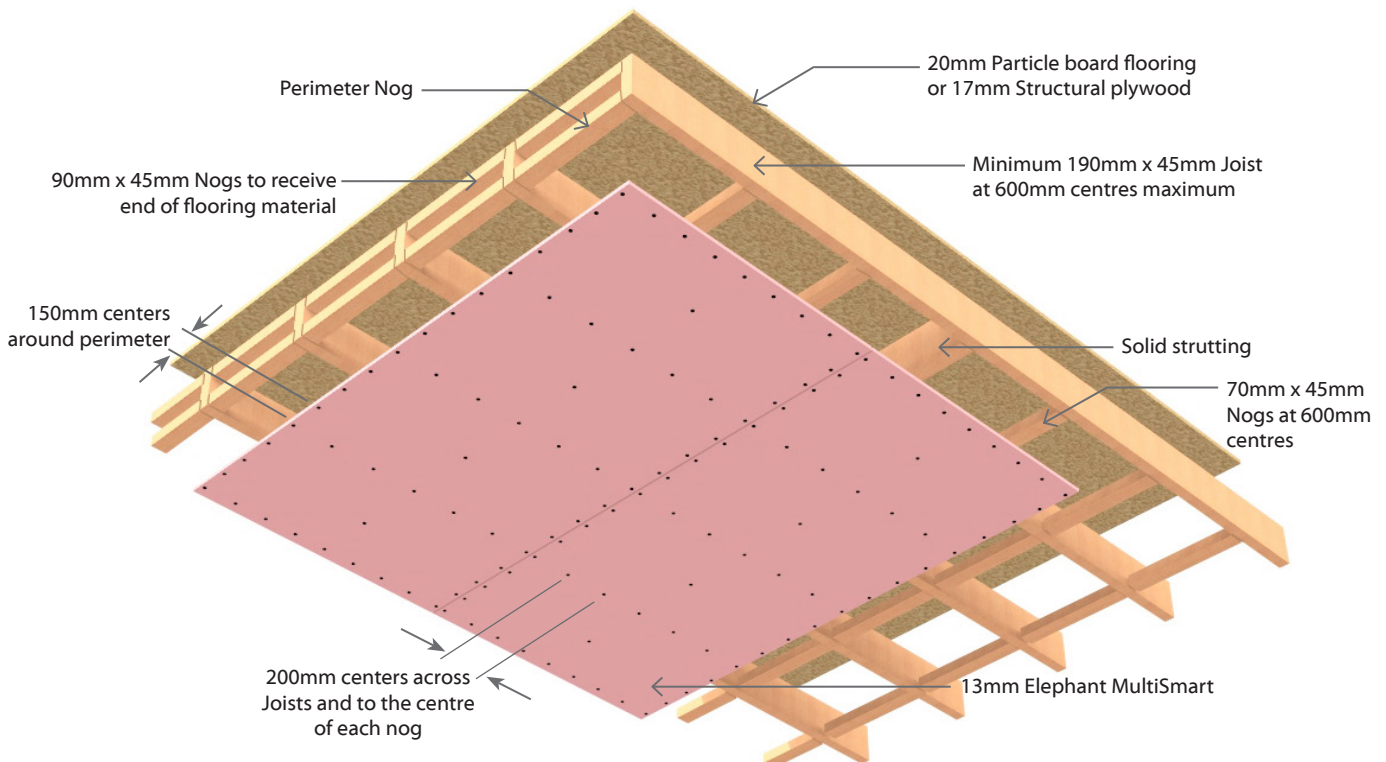
Place fasteners no closer than 12mm from sheet edges and 18mm from sheet ends.

Wall/Ceiling Junction

The internal angle between the ceilings and walls must be protected by Cornice or square stopped corners, taped and filled in accordance with Elephant Plasterboard Installation Guide.

Jointing

All fastener heads stopped and all sheet joints reinforced with paper jointing tape and stopped. All in accordance with the Elephant Plasterboard Installation Guide.



E2FC30

Floor/Ceiling

Load Bearing

2 Layers: 2 Layers of Plasterboard to underside side of frame

System Number	Lining Suffix	Fire Rating	Load Bearing Ability	Noise Control			Lining Requirement
				STC	Rw	IIC	
E2FC30	-S26	30/30/30	LB	39	38	32	2 x 13mm Elephant Standard

Floor Framing

Timber floor joists shall comply with NZS3604 with a minimum depth of 140mm x 45mm and spaced at no more than 600mm centres. Solid strutting is required in accordance with NZS3604.

Alternatively, a proprietary I-joist system may be used subject to specific structural design and approved by the normal building consent process.

Nogs fixed on the flat to receive the ends of flooring material shall be 90mm x 45mm minimum.

Flooring

Minimum flooring shall be nominal 20mm thick particle board or minimum 17mm thick structural plywood, fixed to the joists as per manufacturers' instructions.

Flooring sheet joints must either be formed over framing or have a polypropylene tongue and groove jointer.

Ceiling Framing

Nogs fixed on the flat to receive the Elephant Plasterboard lining shall be 70mm x 45mm minimum.

Nogs or framing is required at the perimeter of the fire rated ceiling.

Plasterboard Lining

Two layers of 13mm Elephant Standard fixed directly to the underside of floor joists.

All joints must occur on joists and solid blocking.

All sheet joints should be staggered 600mm between layers.

Sheets shall be touch fitted.

Fixing of Linings Fasteners

System Number	1 st Layer	2 nd Layer
	E2FC30-S26	High Thread Drywall Screws
13mm		13mm
41 x 6g		51 x 7g

Fastener Centres

Inner Layer: 150mm centres around the perimeter of each sheet, across each joist and at the centre of each nog.

Outer Layer: 150mm centres around the perimeter of each sheet and 200mm centres along each joist and at centre of each nog.

Place fasteners no closer than 12mm from sheet edges and 18mm from sheet ends.

Avoid outer layer screws from hitting inner layer screws.

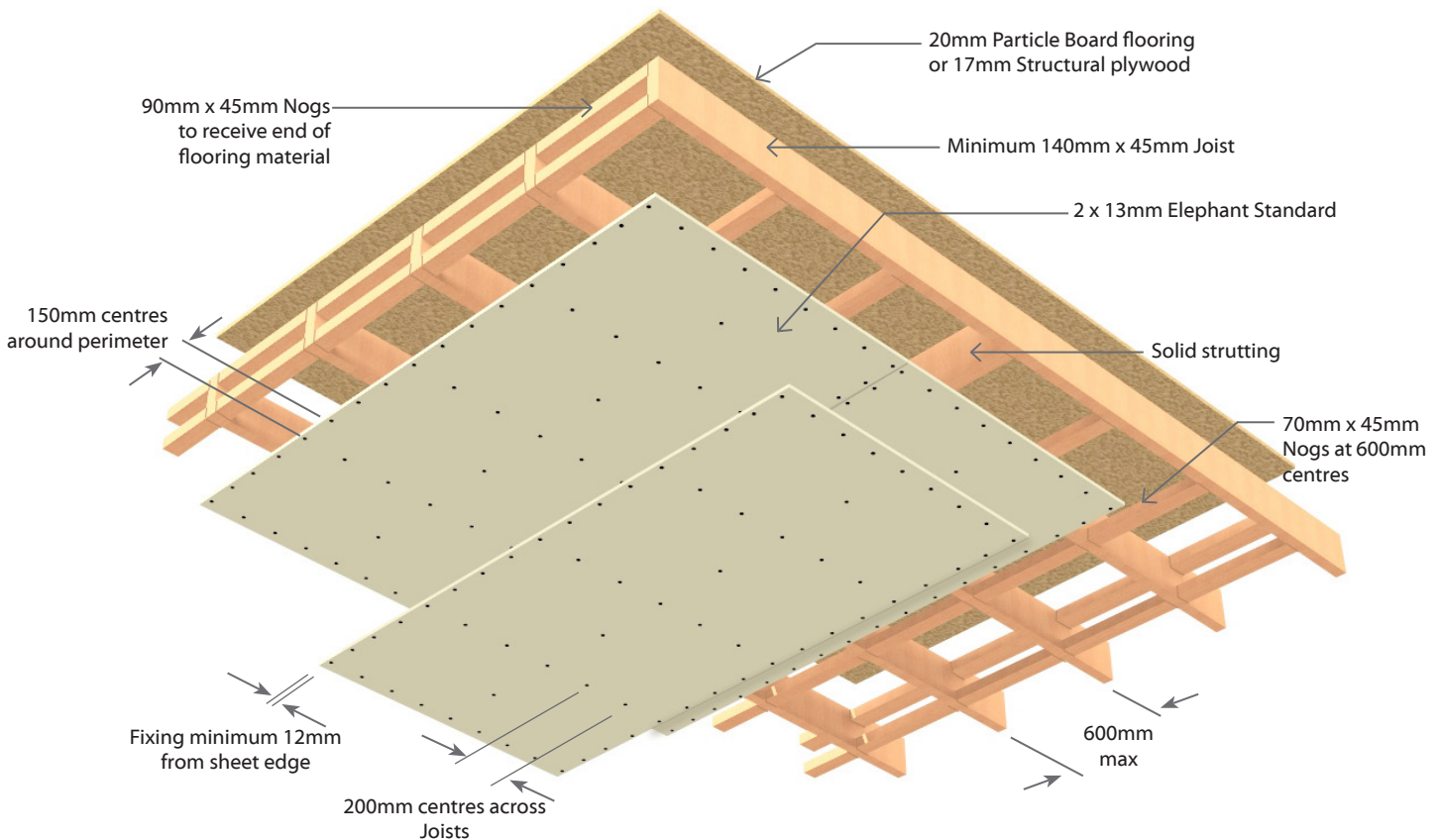
Wall/Ceiling Junction

The internal angle between the ceilings and walls must be protected by Cornice or square stopped corners, taped and filled in accordance with Elephant Plasterboard Installation Guide.

Jointing

Inner Layer: Unstopped.

Outer Layer: All fastener heads stopped and all sheet joints reinforced with paper jointing tape and stopped in accordance with the publication entitled Elephant Plasterboard Installation Guide.



E1FC45

Floor/Ceiling

Load Bearing

1 Layer: 1 Layer of Plasterboard to underside side of frame

System Number	Lining Suffix	Fire Rating	Load Bearing Ability	Noise Control			Lining Requirement
				STC	Rw	IIC	
E1FC45*	-M13	45/45/45	LB	39	38	32	1 x 13mm Elephant MultiSmart

Floor Framing

Timber floor joists shall comply with NZS3604 with a minimum depth of 190mm x 45mm and spaced at no more than 600mm centres. Solid strutting is required in accordance with NZS3604.

Nogs fixed on the flat to receive the ends of flooring material shall be 90mm x 45mm minimum.

Flooring

Minimum flooring shall be nominal 20mm thick particle board or minimum 17mm thick structural plywood, fixed to the joists as per manufacturers' instructions.

Flooring sheet joints must either be formed over framing or have a polypropylene tongue and groove jointer.

Ceiling Framing

Nogs shall be 70mm x 45mm minimum, fixed on the flat in between joists to receive the Elephant Plasterboard lining. They are spaced at 600mm centres for joist at 600mm centres or at 1200mm centres for joists at 450mm centres.

Nogs or framing is required at the perimeter of the fire rated ceiling.

Alternative Framing

In situations where NZS3604 allows for 140mm deep joists a 70mm x 45mm ceiling batten and nog can be used to build up the joist depth.

The 45mm x 45mm nog is required under all joists that are spaced at 600mm centres or under all joists which are at 450mm centres and the battens are spaced at 600mm centres.

Where joists are at 400mm centres or joists are at 450mm centres and the battens are at 450mm centres, then nogs are required at 1200mm centres.

Also in situations where ceiling battens have been fixed over the 190mm x 45mm joists instead of noggged within the joists, the alternative framing method can be used to ensure that the fire integrity is maintained.

Nogs or framing is required at the perimeter of the fire rated ceiling.

Plasterboard Lining

One layer of 13mm Elephant MultiSmart fixed at right angles directly to the underside of floor joists.

All joints must occur on joists and solid blocking.

Sheets to be touch fitted.

Fixing of Linings**Fasteners**

System Number	Single Layer
	High Thread Drywall Screws
E1FC45-M13	13mm
	51 x 7g

Fastener Centres

Place fasteners 150mm centres around the perimeter of each sheet.

200mm centres across each joist and at the centre of each nog.

Place fasteners no closer than 12mm from sheet edges and 18mm from sheet ends.

Wall/Ceiling Junction

The internal angle between the ceilings and walls must be protected by Cornice or square stopped corners, taped and filled in accordance with Elephant Plasterboard Installation Guide.

Jointing

All fastener heads stopped and all sheet joints reinforced with paper jointing tape and stopped. All in accordance with the Elephant Plasterboard Installation Guide.

***Note: For 30/30/30 FRR**

If the actual FRR required is 30/30/30, reference can be made to either E1BC30 or E1FC30.



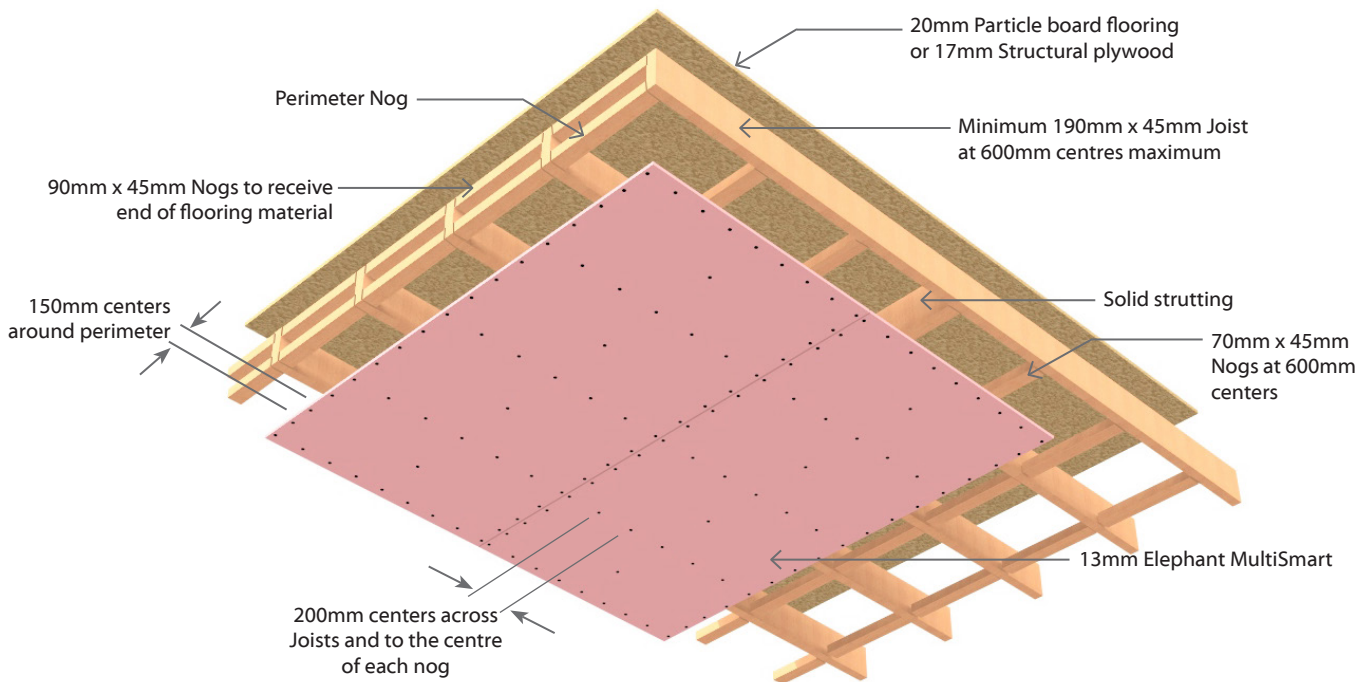
E1FC45

Floor/Ceiling

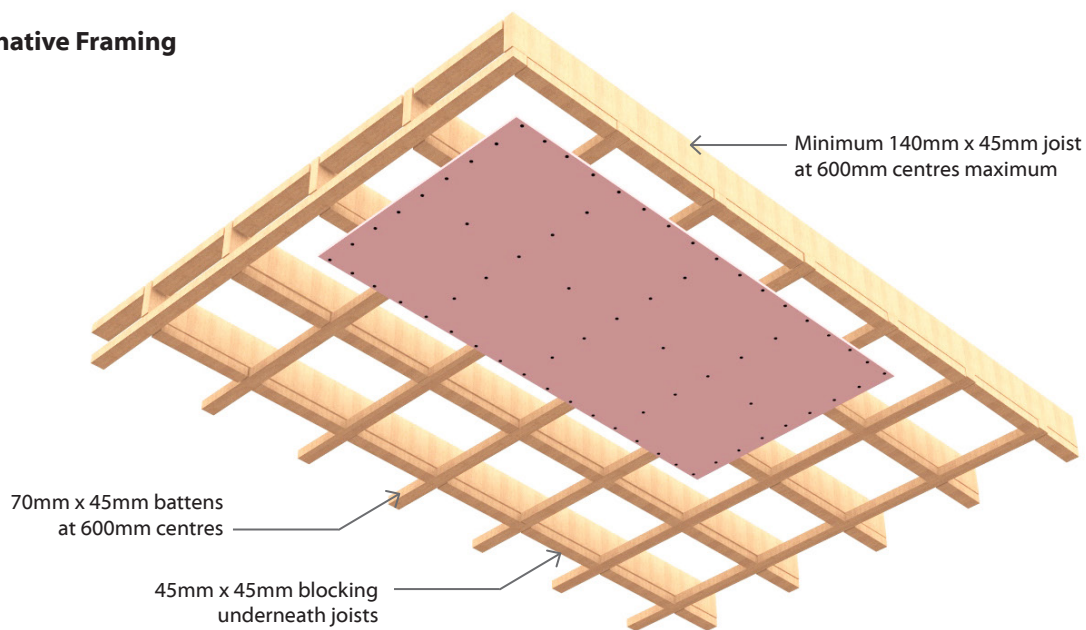
Load Bearing

1 Layer: 1 Layer of Plasterboard to underside side of frame

System Number	Lining Suffix	Fire Rating	Load Bearing Ability	Noise Control			Lining Requirement
				STC	Rw	IIC	
E1FC45	-M13	45/45/45	LB	39	38	32	1 x 13mm Elephant MultiSmart



Alternative Framing



E1FC60**Floor/Ceiling****Load Bearing****1 Layer: 1 Layer of Plasterboard to underside side of frame**

System Number	Lining Suffix	Fire Rating	Load Bearing Ability	Noise Control			Lining Requirement
				STC	Rw	IIC	
E1FC60	-F16	60/60/60	LB	39	39	32	1 x 16mm Elephant FireSmart

Floor Framing

Timber floor joists shall comply with NZS3604 with a minimum depth of 190mm x 45mm and spaced at no more than 600mm centres. Solid strutting is required in accordance with NZS3604.

Nogs fixed on the flat to receive the ends of flooring material shall be 90mm x 45mm minimum.

Flooring

Minimum flooring shall be nominal 20mm thick particle board or minimum 17mm thick structural plywood, fixed to the joists as per manufacturers' instructions.

Flooring sheet joints must either be formed over framing or have a polypropylene tongue and groove jointer.

Ceiling Framing

Nogs fixed on the flat to receive the Elephant Plasterboard lining shall be 70mm x 45mm minimum. They are spaced at 600mm centres for joist at 600mm centres or at 1200mm centres for joists at 450mm centres.

Nogs or framing is required at the perimeter of the fire rated ceiling.

Alternative Framing

In situations where NZS3604 allows for 140mm deep joists a 70mm x 45mm ceiling batten and nog can be used to build up the joist depth.

The 45mm x 45mm nog is required under all joists that are spaced at 600mm centres or under all joists which are at 450mm centres and the battens are spaced at 600mm centres.

Where joists are at 400mm centres or joists are at 450mm centres and the battens are at 450mm centres, then nogs are required at 1200mm centres.

Also in situations where the ceiling battens have been fixed over the 190mm x 45mm joists instead of within the joists, the alternative framing method can be used to ensure that the fire integrity is maintained.

Nogs or framing is required at the perimeter of the fire rated ceiling.

Plasterboard Lining

One layer of 16mm Elephant FireSmart fixed at right angles directly to the underside of floor joists.

All joints must occur on joists and solid blocking.

Sheets to be touch fitted.

Fixing of Linings**Fasteners**

System Number	Single Layer
	High Thread Drywall Screws
E1FC60-F16	16mm
	51 x 7g

Fastener Centres

Place fasteners 150mm centres around the perimeter of each sheet.

200mm centres across each joist and at the centre of each nog.

Place fasteners no closer than 12mm from sheet edges and 18mm from sheet ends.

Wall/Ceiling Junction

The internal angle between the ceilings and walls must be protected by Cornice or square stopped corners, taped and filled in accordance with Elephant Plasterboard Installation Guide.

Jointing

All fastener heads stopped and all sheet joints reinforced with paper jointing tape and stopped. All in accordance with the Elephant Plasterboard Installation Guide.



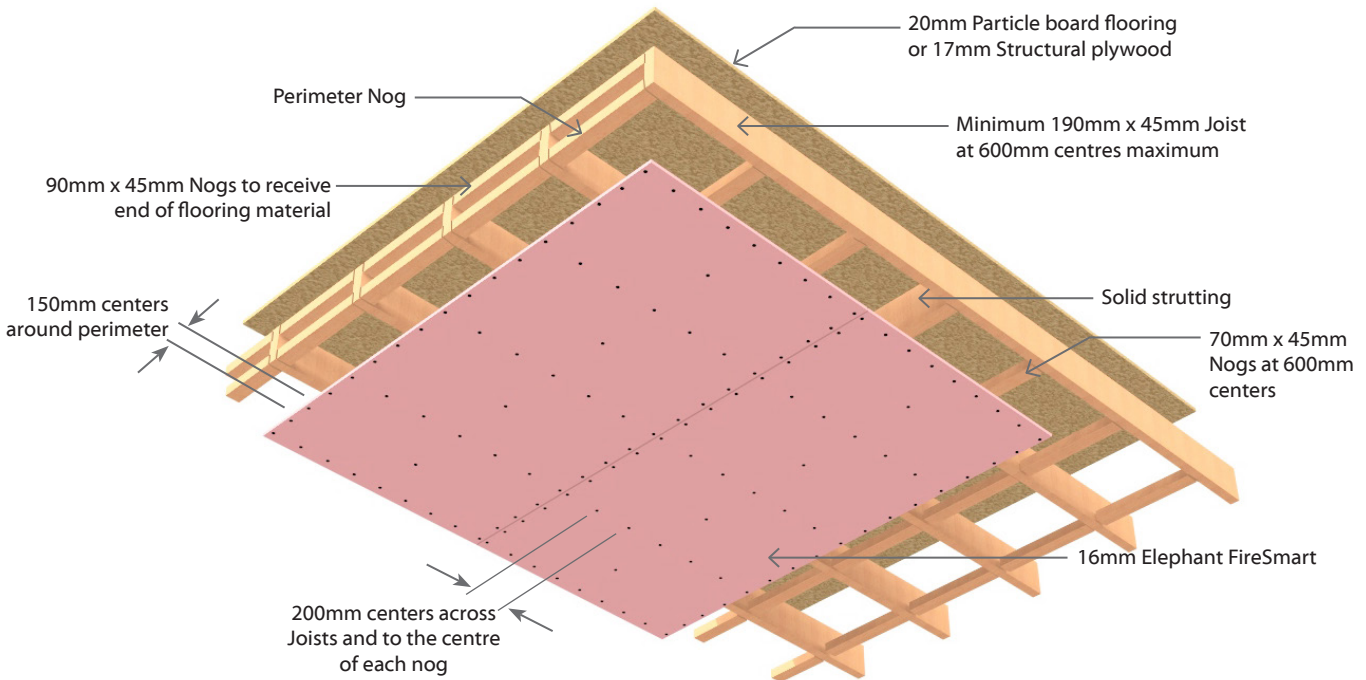
E1FC60

Floor/Ceiling

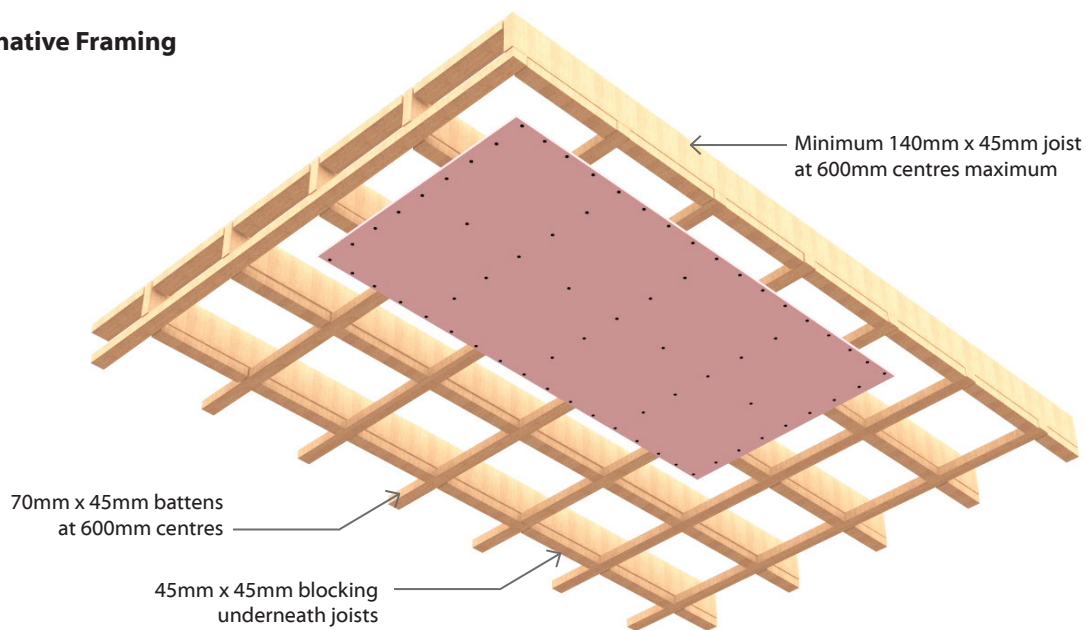
Load Bearing

1 Layer: 1 Layer of Plasterboard to underside side of frame

System Number	Lining Suffix	Fire Rating	Load Bearing Ability	Noise Control			Lining Requirement
				STC	Rw	IIC	
E1FC60	-F16	60/60/60	LB	39	39	32	1 x 16mm Elephant FireSmart



Alternative Framing



E2FC60

Floor/Ceiling

Load Bearing

2 Layers: 2 Layers of Plasterboard to underside side of frame

System Number	Lining Suffix	Fire Rating	Load Bearing Ability	Noise Control			Lining Requirement
				STC	Rw	IIC	
E2FC60	-MS26	60/60/60	LB	40	39	33	1 x 13mm Elephant MultiSmart and 1 x 13mm Elephant Standard

Floor Framing

Timber floor joists shall comply with NZS3604 and be a minimum of 190mm x 45mm and spaced at no more than 600mm centres. Solid strutting is required in accordance with NZS 3604.

Nogs fixed on the flat to receive the ends of flooring material shall be 90mm x 45mm minimum.

Flooring

Minimum flooring shall be nominal 20mm thick particle board or minimum 17mm thick structural plywood, fixed to the joists as per manufacturers' instructions.

Flooring sheet joints must either be formed over framing or have a polypropylene tongue and groove jointer.

Ceiling Framing

Nogs fixed on the flat to receive the Elephant Plasterboard lining shall be 70mm x 45mm minimum.

Nogs or framing is required at the perimeter of the fire rated ceiling.

Alternative Framing

In situations where NZS3604 allows for 140mm deep joists a 70mm x 45mm ceiling batten and nog can be used to build up the joist depth.

Also in situations where the ceiling battens have been fixed over the joists instead of within the joists, the alternative framing method can be used to ensure that the fire integrity is maintained.

Refer to E1FC60 Alternative Framing .

Plasterboard Lining

One layer of 13mm Elephant MultiSmart & One layer of 13mm Elephant Standard lining fixed directly to the underside of floor joists.

All joints must occur on joists and solid blocking.

All sheet joints should be staggered 600mm between layers.

Sheets shall be touch fitted.

Fixing of Linings

Fasteners

System Number	1 st Layer	2 nd Layer
		High Thread Drywall Screws
E2FC60-MS26	13mm 51 x 7g	13mm 63 x 8g

Fastener Centres

Inner Layer: 150mm centres around the perimeter of each sheet, across each joist and at the centre of each nog.

Outer Layer: 150mm centres around the perimeter of each sheet and 200mm centres along each joist and at centre of each nog.

Place fasteners no closer than 12mm from sheet edges and 18mm from sheet ends.

Avoid outer layer screws from hitting inner layer screws.

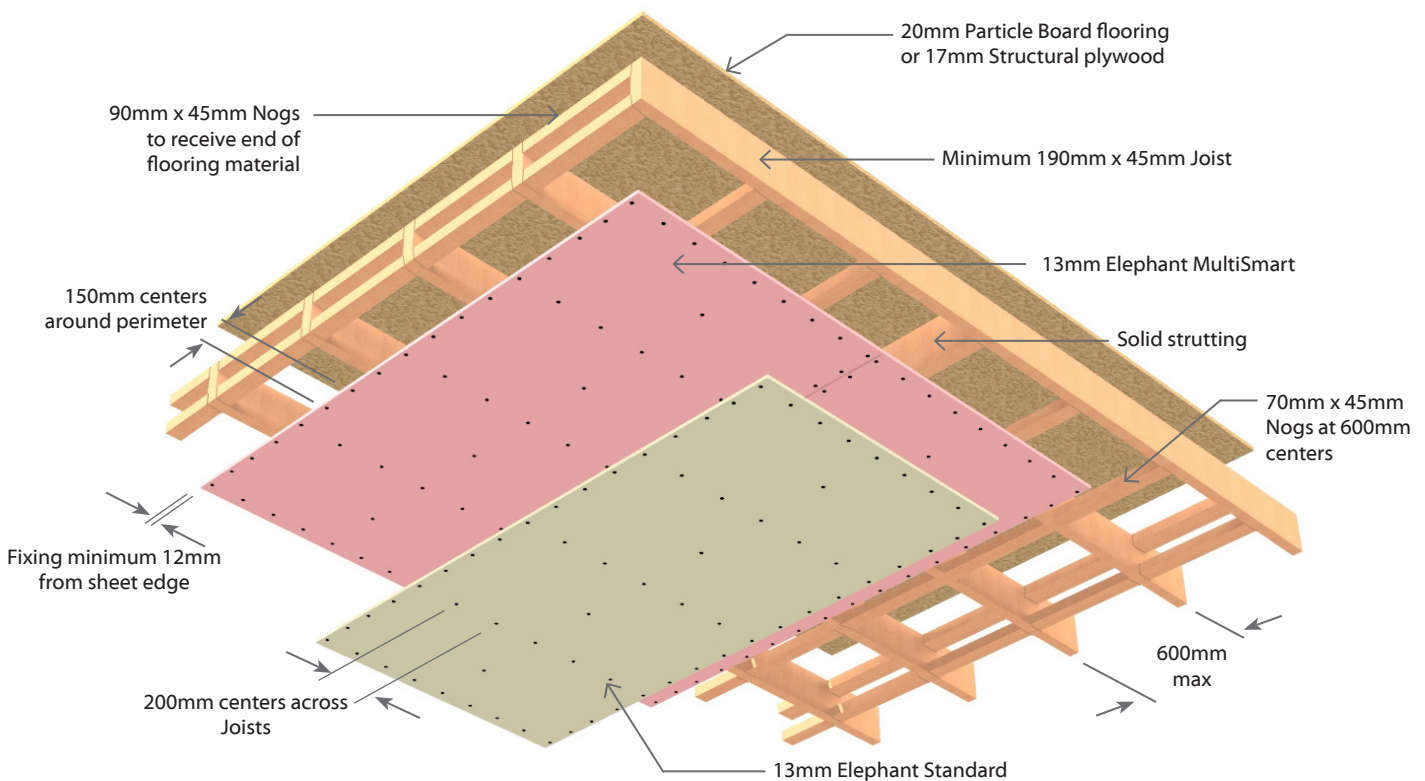
Wall/Ceiling Junction

The internal angle between the ceilings and walls must be protected by Cornice or square stopped corners, taped and filled in accordance with Elephant Plasterboard Installation Guide.

Jointing

Inner Layer: Unstopped.

Outer Layer: All fastener heads stopped and all sheet joints reinforced with paper jointing tape and stopped in accordance with the publication entitled Elephant Plasterboard Installation Guide.



2 Layers: 2 Layer of Plasterboard to underside side of frame

System Number	Lining Suffix	Fire Rating	Load Bearing Ability	Noise Control			Lining Requirement
				STC	Rw	IIC	
E2FC90	-FM29	90/90/90	LB	41	40	34	1 x 16mm Elephant FireSmart and 1 x 13mm Elephant MultiSmart

Floor Framing

Timber floor joists shall comply with NZS3604 and be a minimum of 190mm x 45mm and spaced at no more than 600mm centres. Solid strutting is required in accordance with NZS 3604. Nogs fixed on the flat to receive the ends of flooring material shall be 90mm x 45mm minimum.

Flooring

Minimum flooring shall be nominal 20mm thick particle board or minimum 17mm thick structural plywood, fixed to the joists as per manufacturers' instructions. Flooring sheet joints must either be formed over framing or have a polypropylene tongue and groove jointer.

Ceiling Framing

Nogs fixed on the flat to receive the Elephant Plasterboard lining shall be 70mm x 45mm minimum. Nogs or framing is required at the perimeter of the fire rated ceiling.

Plasterboard Lining

One layer of 16mm Elephant FireSmart & One layer of 13mm Elephant MultiSmart lining fixed directly to the underside of floor joists. All joints must occur on joists and solid blocking. All sheet joints should be staggered 600mm between layers. Sheets shall be touch fitted.

Fixing of Linings Fasteners

System Number	1 st Layer	2 nd Layer
	High Thread Drywall Screws	
E2FC90-FM29	16mm	13mm
	51 x 7g	63 x 8g

Fastener Centres

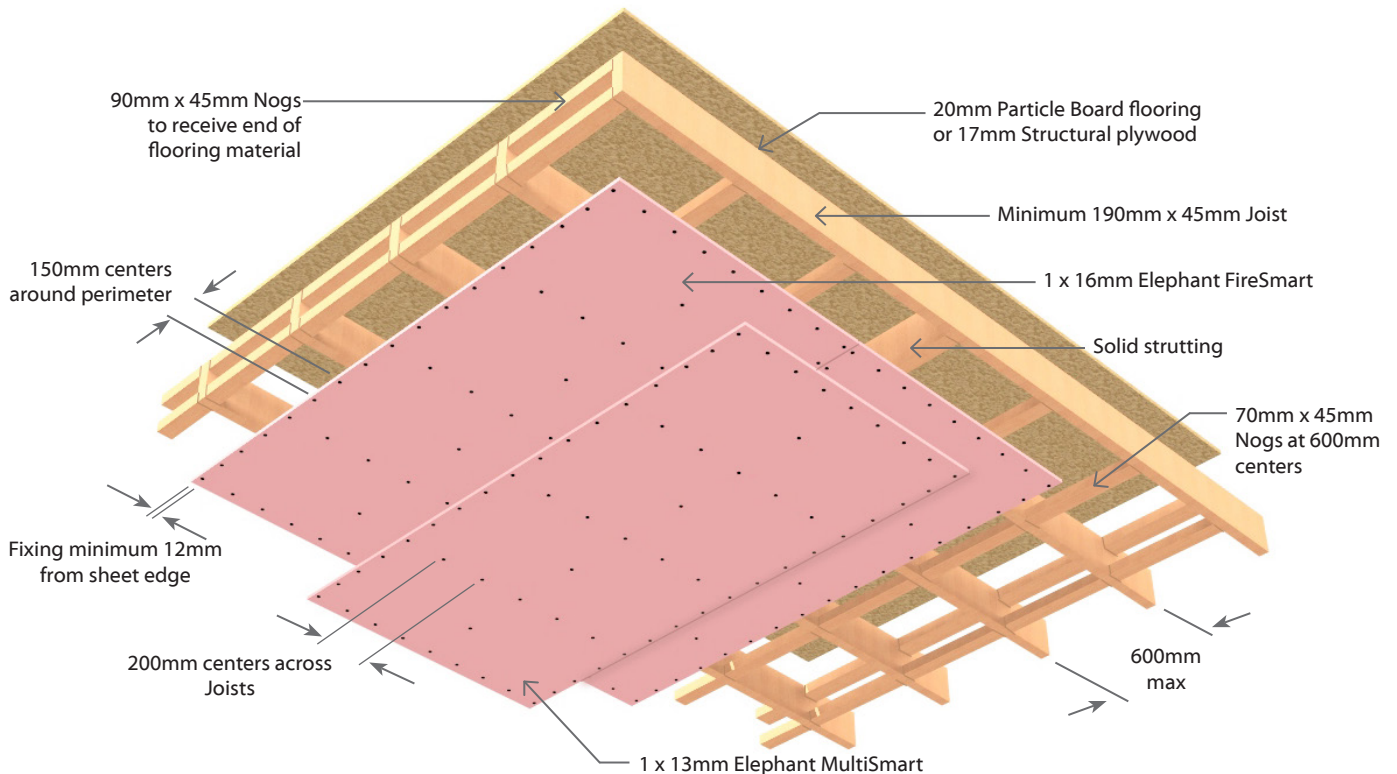
Inner Layer: 150mm Centres around the perimeter of each sheet, across each joist and at the centre of each nog.
Outer Layer: 150mm centres around the perimeter of each sheet and 200mm centres along each joist and at centre of each nog. Place fasteners no closer than 12mm from sheet edges and 18mm from sheet ends. Avoid outer layer screws from hitting inner layer screws.

Wall/Ceiling Junction

The internal angle between the ceilings and walls must be protected by Cornice or square stopped corners, taped and filled in accordance with Elephant Plasterboard Installation Guide.

Jointing

Inner Layer: Unstopped.
Outer Layer: All fastener heads stopped and all sheet joints reinforced with paper jointing tape and stopped in accordance with the publication entitled Elephant Plasterboard Installation Guide.



E3FC120

Floor/Ceiling

Load Bearing

3 Layers: 3 Layer of Plasterboard to underside side of frame

System Number	Lining Suffix	Fire Rating	Load Bearing Ability	Noise Control			Lining Requirement
				STC	Rw	IIC	
E3FC120	-M39	120/120/120	LB	43	42	35	3 x 13mm Elephant MultiSmart

Floor Framing

Timber floor joists shall comply with NZS3604 and be a minimum of 190mm x 45mm and spaced at no more than 600mm centres. Solid strutting is required in accordance with NZS 3604.

Nogs fixed on the flat to receive the ends of flooring material shall be 90mm x 45mm minimum.

Flooring

Minimum flooring shall be nominal 20mm thick particle board or minimum 17mm thick structural plywood, fixed to the joists as per manufacturers' instructions.

Flooring sheet joints must either be formed over framing or have a polypropylene tongue and groove jointer.

Ceiling Framing

Nogs fixed on the flat to receive the Elephant Plasterboard lining shall be 70mm x 45mm minimum.

Nogs or framing is required at the perimeter of the fire rated ceiling.

Plasterboard Lining

Three layers of 13mm Elephant MultiSmart fixed directly to the underside of floor joists. All joints must occur on joists and solid blocking.

All sheet joints should be staggered 600mm between layers.

Sheets shall be touch fitted.

Fixing of Linings Fasteners

System Number	1 st Layer	2 nd Layer	3 rd Layer
	High Thread Drywall Screws		
E3FC120-M39	13mm	13mm	13mm
	51 x 7g	3 x 8g	63 x 8g

Fastener Centres

Inner Layer: 150mm centres around the perimeter of each sheet, across each joist and at the centre of each nog.

Outer Layer: 150mm centres around the perimeter of each sheet and 200mm centres along each joist and at centre of each nog.

Place fasteners no closer than 12mm from sheet edges and 18mm from sheet ends.

Avoid outer layer screws from hitting inner layer screws.

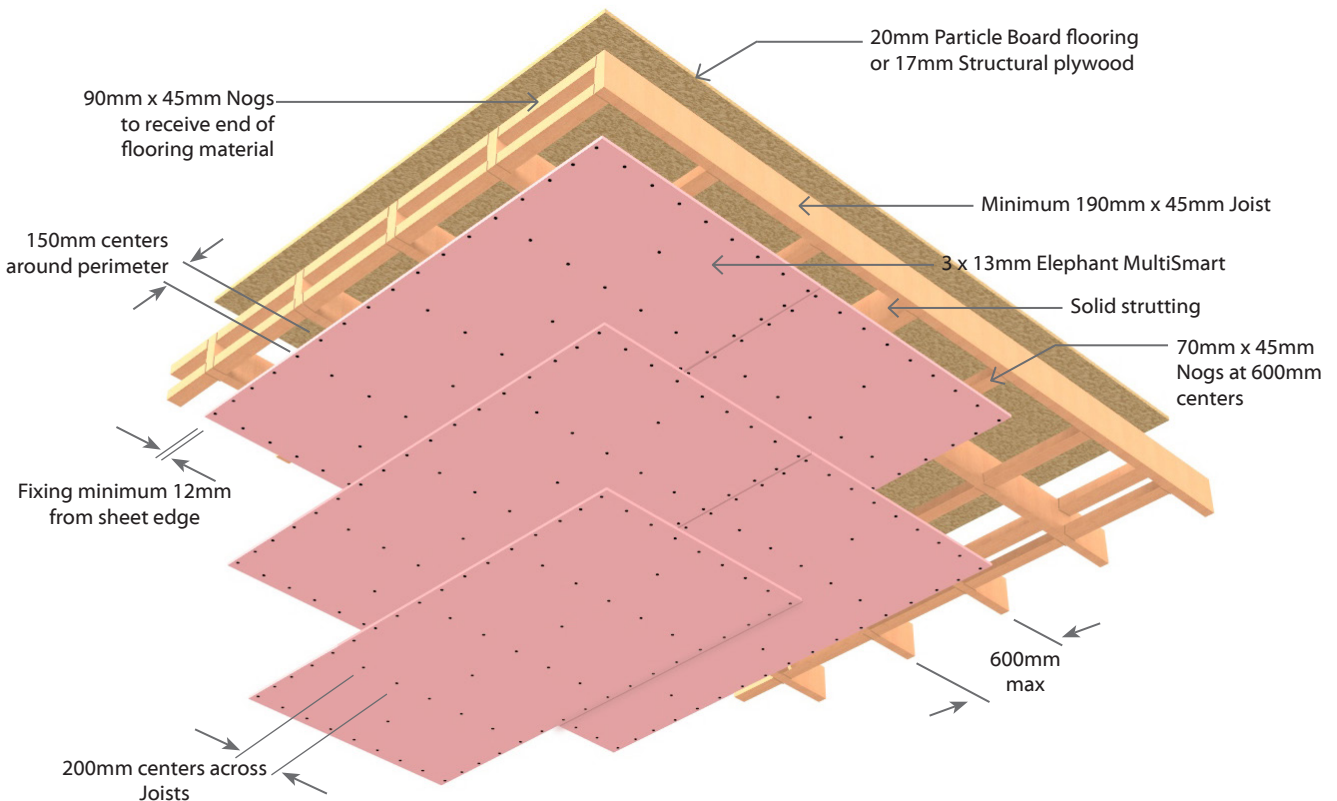
Wall/Ceiling Junction

The internal angle between the ceilings and walls must be protected by Cornice or square stopped corners, taped and filled in accordance with Elephant Plasterboard Installation Guide.

Jointing

Inner Layer: Unstopped.

Outer Layer: All fastener heads stopped and all sheet joints reinforced with paper jointing tape and stopped in accordance with the publication entitled Elephant Plasterboard Installation Guide.



E1CJ30

Composite Joist Floor/Ceiling

Load Bearing

1 Layer: 1 Layer of Plasterboard to underside side of frame

System Number	Lining Suffix	Fire Rating	Load Bearing Ability	Noise Control			Lining Requirement
				STC	Rw	IIC	
E1CJ30	-M13	30/30/30	LB	39	38	32	1 x 13mm Elephant MultiSmart

Floor Framing

Composite Floor joists may be either hySPAN® or hyJOIST®. Joists shall be covered by specific engineering design for strength and serviceability. A minimum depth of 190mm and spaced at no more than 600mm centres.

Nogs fixed on the flat to receive the ends of flooring material shall be 90mm x 45mm minimum.

Consult the beam manufacturer re construction of the solid blocking contained in floor/ceiling to wall junctions.

Flooring

Minimum flooring shall be nominal 20mm thick particle board or minimum 17mm thick structural plywood, fixed to the joists as per manufacturers' instructions.

Flooring sheet joints must either be formed over framing or have a polypropylene tongue and groove jointer.

Ceiling Framing

Nogs shall be 70mm x 35mm minimum, fixed on the flat in between joists to receive the Elephant Plasterboard lining. They are spaced at 600mm centres for joist at 600mm centres or at 1200mm centres for joists at 450mm centres.

Nogs or framing is required at the perimeter of the fire rated ceiling.

Plasterboard Lining

One layer of 13mm Elephant MultiSmart fixed at right angles directly to the underside of floor joists.

All joints must occur on joists and solid blocking.

Sheets to be touch fitted.

Fixing of Linings

Fasteners

System Number	Single Layer
	High Thread Drywall Screws
E1CJ30-M13	13mm
	41 x 6g

Fastener Centres

Place fasteners 150mm centres around the perimeter of each sheet.

200mm centres across each joist and at the centre of each nog.

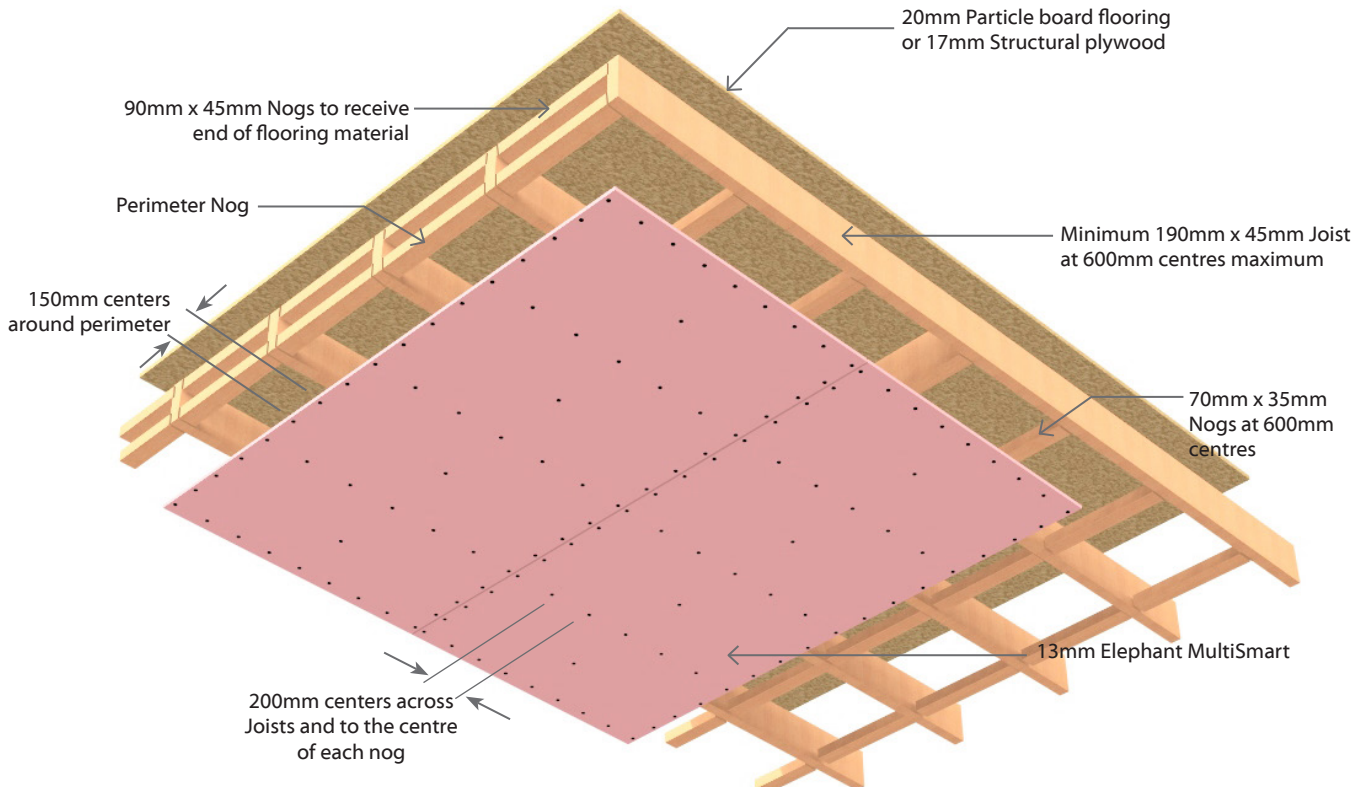
Place fasteners no closer than 12mm from sheet edges and 18mm from sheet ends.

Wall/Ceiling Junction

The internal angle between the ceilings and walls must be protected by Cornice or square stopped corners, taped and filled in accordance with Elephant Plasterboard Installation Guide.

Jointing

All fastener heads stopped and all sheet joints reinforced with paper jointing tape and stopped. All in accordance with the Elephant Plasterboard Installation Guide.



E2CJ30

Composite Joist Floor/Ceiling

Load Bearing

2 Layers: 2 Layers of Plasterboard to underside side of frame

System Number	Lining Suffix	Fire Rating	Load Bearing Ability	Noise Control			Lining Requirement
				STC	Rw	IIC	
E2CJ30	-S26	30/30/30	LB	39	38	32	2 x 13mm Elephant Standard

Floor Framing

Composite Floor joists may be either hySPAN® or hyJOIST®. Joists shall be covered by specific engineering design for strength and serviceability. A minimum depth of 190mm and spaced at no more than 600mm centres.

Nogs fixed on the flat to receive the ends of flooring material shall be 90mm x 45mm minimum.

Consult the beam manufacturer re construction of the solid blocking contained in floor/ceiling to wall junctions.

Flooring

Minimum flooring shall be nominal 20mm thick particle board or minimum 17mm thick structural plywood, fixed to the joists as per manufacturers' instructions.

Flooring sheet joints must either be formed over framing or have a polypropylene tongue and groove jointer.

Ceiling Framing

Nogs fixed on the flat to receive the Elephant Plasterboard lining shall be 70mm x 35mm minimum and spaced at 600mm for joists at 600mm, or at 1200mm for joists at 400 or 450mm.

Nogs or framing is required at the perimeter of the fire rated ceiling.

Plasterboard Lining

Two layers of 13mm Elephant Standard fixed directly to the underside of floor joists. All joints must occur on joists and solid blocking.

All sheet joints should be staggered 600mm between layers.

Sheets shall be touch fitted.

Fixing of Linings

Fasteners

System Number	1 st Layer	2 nd Layer
	High Thread Drywall Screws	
E2CJ30-S26	13mm	13mm
	41 x 6g	51 x 7g

Fastener Centres

Inner Layer: 150mm centres around the perimeter of each sheet, across each joist and at the centre of each nog.

Outer Layer: 150mm centres around the perimeter of each sheet and 200mm centres along each joist and at centre of each nog.

Place fasteners no closer than 12mm from sheet edges and 18mm from sheet ends.

Avoid outer layer screws from hitting inner layer screws.

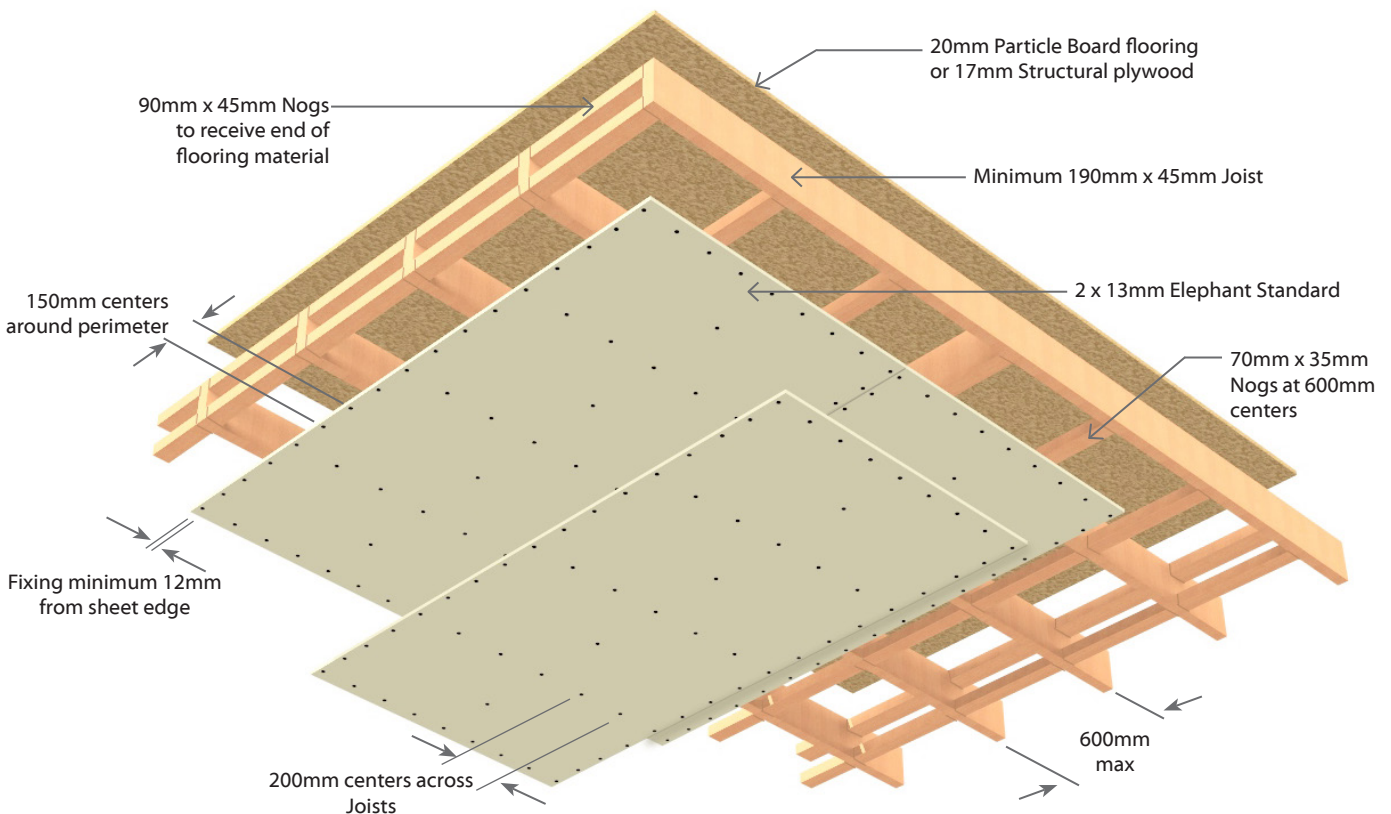
Wall/Ceiling Junction

The internal angle between the ceilings and walls must be protected by Cornice or square stopped corners, taped and filled in accordance with Elephant Plasterboard Installation Guide.

Jointing

Inner Layer: Unstopped.

Outer Layer: All fastener heads stopped and all sheet joints reinforced with paper jointing tape and stopped in accordance with the publication entitled Elephant Plasterboard Installation Guide.



E1CJ45

Composite Joist Floor/Ceiling

Load Bearing

1 Layer: 1 Layer of Plasterboard to underside side of frame

System Number	Lining Suffix	Fire Rating	Load Bearing Ability	Noise Control			Lining Requirement
				STC	Rw	IIC	
E1CJ45*	-M13	45/45/45	LB	39	38	32	1 x 13mm Elephant MultiSmart

Floor Framing

Composite Floor joists may be either hySPAN® or hyJOIST®. Joists shall be covered by specific engineering design for strength and serviceability. A minimum depth of 190mm and spaced at no more than 600mm centres.

Nogs fixed on the flat to receive the ends of flooring material shall be 90mm x 45mm minimum.

Consult the beam manufacturer re construction of the solid blocking contained in floor/ceiling to wall junctions.

Flooring

Minimum flooring shall be nominal 20mm thick particle board or minimum 17mm thick structural plywood, fixed to the joists as per manufacturers' instructions.

Flooring sheet joints must either be formed over framing or have a polypropylene tongue and groove jointer.

Ceiling Framing

Nogs fixed on the flat to receive the Elephant Plasterboard lining shall be 70mm x 45mm minimum and spaced at 600mm for joists at 600mm, or at 1200mm for joists at 400 or 450mm.

Nogs or framing is required at the perimeter of the fire rated ceiling.

Plasterboard Lining

One layer of 13mm Elephant MultiSmart fixed at right angles directly to the underside of floor joists.

All joints must occur on joists and solid blocking.

Sheets to be touch fitted.

Fixing of Linings

Fasteners

System Number	1 st Layer
	High Thread Drywall Screws
E1CJ45-M13	13mm
	51 x 7g

Fastener Centres

Place fasteners 150mm centres around the perimeter of each sheet. 200mm centres across each joist and at the centre of each nog.

Place fasteners no closer than 12mm from sheet edges and 18mm from sheet ends.

Wall/Ceiling Junction

The internal angle between the ceilings and walls must be protected by Cornice or square stopped corners, taped and filled in accordance with Elephant Plasterboard Installation Guide.

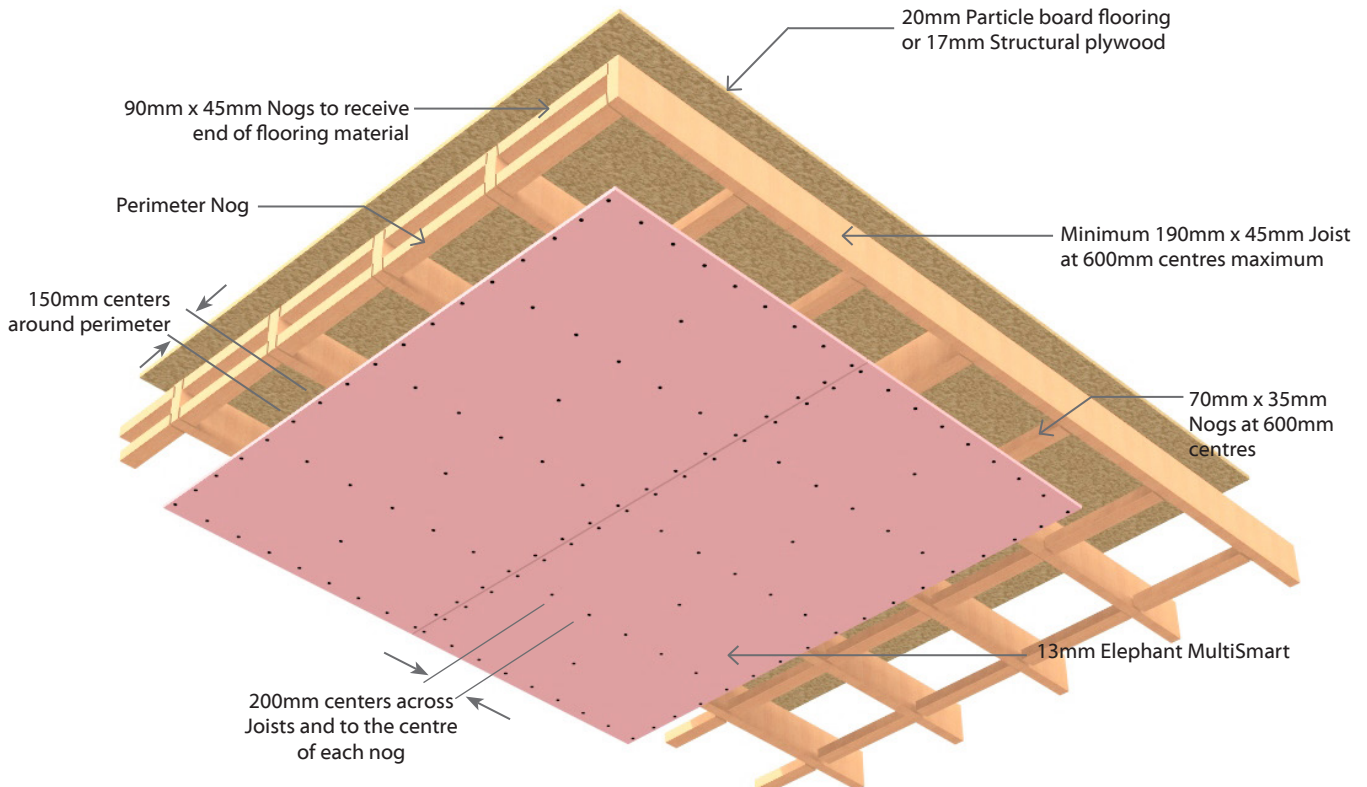
Jointing

Inner Layer: Unstopped.

Outer Layer: All fastener heads stopped and all sheet joints reinforced with paper jointing tape and stopped in accordance with the publication entitled Elephant Plasterboard Installation Guide.

***Note: For 30/30/30 FRR**

If the actual FRR required is 30/30/30, reference can be made to either E1BC30 or E1CJ30.



E1CJ60

Composite Joist Floor/Ceiling

Load Bearing

1 Layer: 1 Layer of Plasterboard to underside side of frame

System Number	Lining Suffix	Fire Rating	Load Bearing Ability	Noise Control			Lining Requirement
				STC	Rw	IIC	
E1CJ60	-F16	60/60/60	LB	39	38	32	1 x 16mm Elephant FireSmart

Floor Framing

Composite Floor joists may be either hySPAN® or hyJOIST®. Joists shall be covered by specific engineering design for strength and serviceability. A minimum depth of 190mm and spaced at no more than 600mm centres.

Nogs fixed on the flat to receive the ends of flooring material shall be 90mm x 45mm minimum.

Consult the beam manufacturer re construction of the solid blocking contained in floor/ceiling to wall junctions.

Flooring

Minimum flooring shall be nominal 20mm thick particle board or minimum 17mm thick structural plywood, fixed to the joists as per manufacturers' instructions.

Flooring sheet joints must either be formed over framing or have a polypropylene tongue and groove jointer.

Ceiling Framing

Nogs fixed on the flat to receive the Elephant Plasterboard lining shall be 70mm x 45mm minimum and spaced at 600mm for joists at 600mm, or at 1200mm for joists at 400 or 450mm.

Nogs or framing is required at the perimeter of the fire rated ceiling.

Plasterboard Lining

One layer of 16mm Elephant FireSmart fixed at right angles directly to the underside of floor joists.

All joints must occur on joists and solid blocking.

Sheets to be touch fitted.

Fixing of Linings Fasteners

System number	1 st Layer
	High Thread Drywall Screws
E1CJ60-F16	16mm
	51 x 7g

Fastener Centres

Place fasteners 150mm centres around the perimeter of each sheet. 200mm centres across each joist and at the centre of each nog.

Place fasteners no closer than 12mm from sheet edges and 18mm from sheet ends.

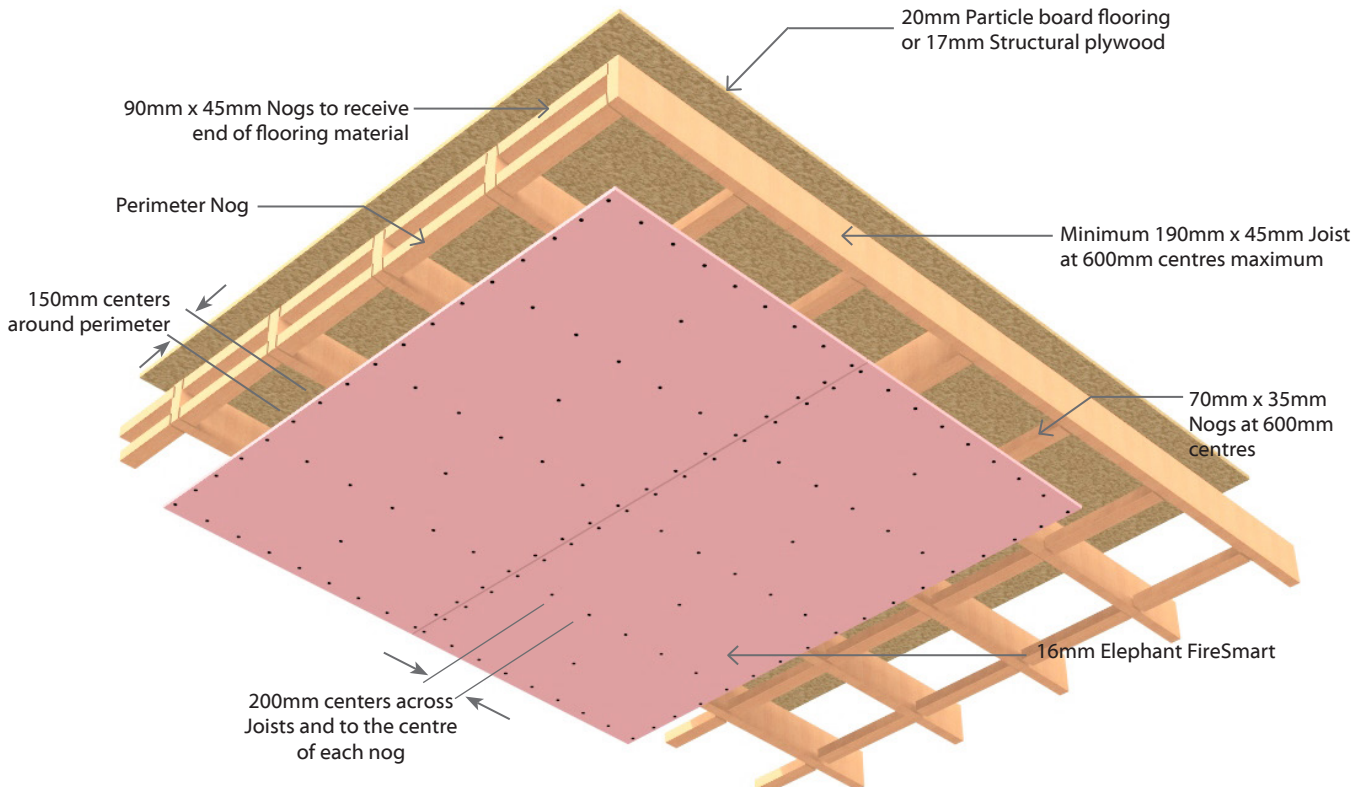
Wall/Ceiling Junction

The internal angle between the ceilings and walls must be protected by Cornice or square stopped corners, taped and filled in accordance with Elephant Plasterboard Installation Guide.

Jointing

Inner Layer: Unstopped.

Outer Layer: All fastener heads stopped and all sheet joints reinforced with paper jointing tape and stopped in accordance with the publication entitled Elephant Plasterboard Installation Guide.



2 Layers: 2 Layers of Plasterboard to underside side of frame

System Number	Lining Suffix	Fire Rating	Load Bearing Ability	Noise Control			Lining Requirement
				STC	Rw	IIC	
E2CJ60	-MS26	60/60/60	LB	40	39	33	1 x 13mm Elephant MultiSmart and 1 x 13mm Elephant Standard

Floor Framing

Composite Floor joists may be either hySPAN® or hyJOIST®. Joists shall be covered by specific engineering design for strength and serviceability. A minimum depth of 190mm and spaced at no more than 600mm centres.

Nogs fixed on the flat to receive the ends of flooring material shall be 90mm x 45mm minimum.

Consult the beam manufacturer re construction of the solid blocking contained in floor/ceiling to wall junctions.

Flooring

Minimum flooring shall be nominal 20mm thick particle board or minimum 17mm thick structural plywood, fixed to the joists as per manufacturers' instructions.

Flooring sheet joints must either be formed over framing or have a polypropylene tongue and groove jointer.

Ceiling Framing

Nogs fixed on the flat to receive the Elephant Plasterboard lining shall be 70mm x 45mm minimum and spaced at 600mm for joists at 600mm, or at 1200mm for joists at 400 or 450mm.

Nogs or framing is required at the perimeter of the fire rated ceiling.

Plasterboard Lining

One layer of 13mm Elephant MultiSmart and One layer of 13mm Elephant Standard lining fixed directly to the underside of floor joists. All joints must occur on joists and solid blocking.

All sheet joints should be staggered 600mm between layers.

Sheets shall be touch fitted.

Fixing of Linings

Fasteners

System Number	1 st Layer	2 nd Layer
	High Thread Drywall Screws	
E2CJ60-MS26	13mm	13mm
	41 x 6g	51 x 7g

Fastener Centres

Inner Layer: 150mm centres around the perimeter of each sheet, across each joist and at the centre of each nog.

Outer Layer: 150mm centres around the perimeter of each sheet and 200mm centres along each joist and at centre of each nog.

Place fasteners no closer than 12mm from sheet edges and 18mm from sheet ends.

Avoid outer layer screws from hitting inner layer screws.

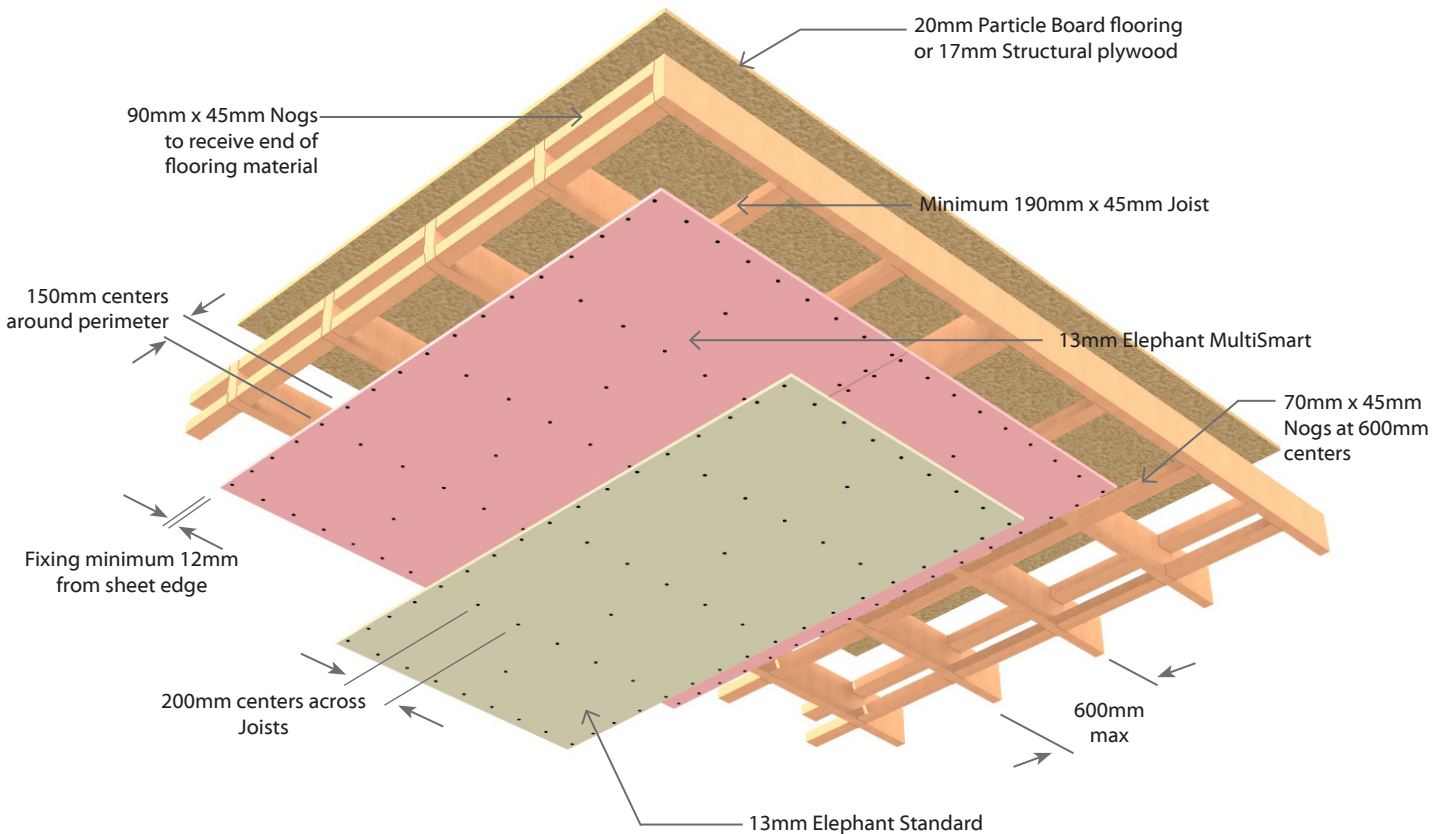
Wall/Ceiling Junction

The internal angle between the ceilings and walls must be protected by Cornice or square stopped corners, taped and filled in accordance with Elephant Plasterboard Installation Guide.

Jointing

Inner Layer: Unstopped.

Outer Layer: All fastener heads stopped and all sheet joints reinforced with paper jointing tape and stopped in accordance with the publication entitled Elephant Plasterboard Installation Guide.



E1SJ30

Steel Joists Floor/Ceiling

Load Bearing

1 Layer: 1 Layer of Plasterboard to underside side of frame

System Number	Lining Suffix	Fire Rating	Load Bearing Ability	Noise Control			Lining Requirement
				STC	Rw	IIC	
E1SJ30	-M13	30/30/30	LB	35	34	31	1 x 13mm Elephant MultiSmart

Floor Framing

A specifically designed steel floor structure with C-section steel floor joists of 190mm minimum depth and with 45mm flanges with a steel gauge of 1.55mm. Joist spacing's at no more than 600mm centres.

Flooring

Minimum flooring shall be nominal 20mm thick particle board or minimum 17mm thick structural plywood, fixed to the joists as per manufacturers' instructions.

Flooring sheet joints must either be formed over framing or have a polypropylene tongue and groove jointer.

Ceiling Framing

Nogs or framing are required all around the perimeter of the fire rated ceiling and on tapered edged plasterboard joints. Use perimeter framing of minimum 35mm x 35mm x 0.55mm gauge steel perimeter angle or steel nogs.

All tapered edged pl masterboard joints must be supported by C-section steel nogs (connected to the joists) with a minimum width of 50mm and a vertical leg depth of 25mm and of minimum 0.55mm gauge.

Plasterboard Lining

One layer of 13mm Elephant MultiSmart fixed at right angles directly to the underside of floor joists.

All joints must occur on joists or nogs.

Sheets to be touch fitted.

Fixing of Linings Fasteners

System Number	Single Layer
	Scavenger Head Drill Point Drywall Screws
E1SJ30-M13	13mm
	32 x 6g

Fastener Centres

Place fasteners 150mm centres around the perimeter of each sheet. 200mm centres along each joist.

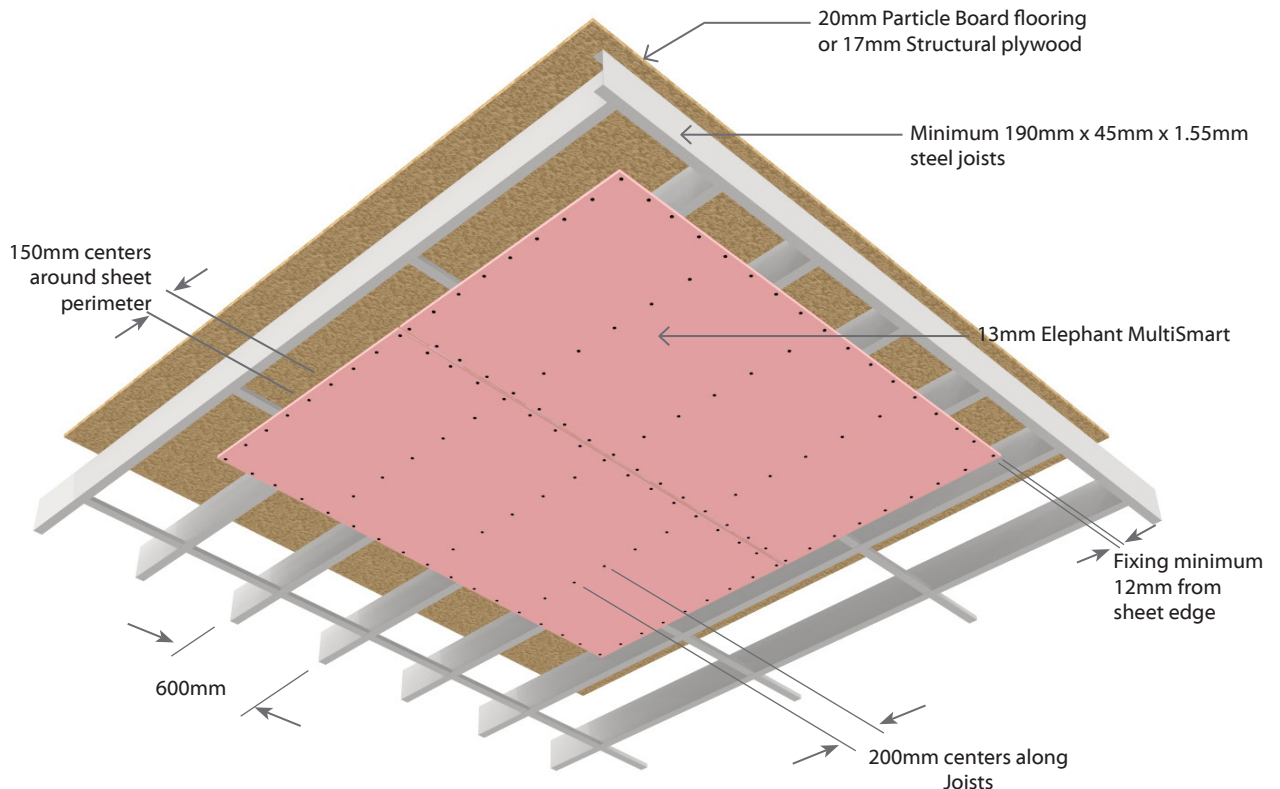
Place fasteners no closer than 12mm from sheet edges and 18mm from sheet ends.

Wall/Ceiling Junction

The internal angle between the ceilings and walls must be protected by Cornice or square stopped corners, taped and filled in accordance with Elephant Plasterboard Installation Guide.

Jointing

All fastener heads stopped and all sheet joints reinforced with paper jointing tape and stopped in accordance with the publication entitled Elephant Plasterboard Installation Guide.



E2SJ60

Steel Joists Floor/Ceiling

Load Bearing

2 Layers: 2 Layers of Plasterboard to underside side of frame

System Number	Lining Suffix	Fire Rating	Load Bearing Ability	Noise Control			Lining Requirement
				STC	Rw	IIC	
E2SJ60	-M26	60/60/60	LB	39	38	32	2 x 13mm Elephant MultiSmart

Floor Framing

A specifically designed steel floor structure with C-section steel floor joists of 190mm minimum depth and with 45mm flanges with a steel gauge of 1.55mm. Joist spacing's at no more than 600mm centres.

Flooring

Minimum flooring shall be nominal 20mm thick particle board or minimum 17mm thick structural plywood, fixed to the joists as per manufacturers' instructions.

Flooring sheet joints must either be formed over framing or have a polypropylene tongue and groove jointer.

Ceiling Framing

Nogs or framing are required all around the perimeter of the fire rated ceiling and on tapered edged plasterboard joints and for intermediate sheet support. Use perimeter framing of minimum 35mm x 35mm x 0.55mm gauge steel perimeter angle or steel nogs.

Use C-section steel nogs (connected to the joists) with a minimum width of 50mm and a vertical leg depth of 25mm and of minimum 0.55mm gauge. They shall be placed at maximum 600m centres to support longitudinal sheet edges and provide intermediate sheet support.

Plasterboard Lining

Two layers of 13mm Elephant MultiSmart fixed at right angles directly to the underside of floor joists. All joints must occur on joists or nogs. All sheet joints should be staggered minimum 300mm between layers. Sheets to be touch fitted.

Fixing of Linings Fasteners

System Number	1 st Layer	2 nd Layer
		Scavenger Head Drill Point Drywall Screws
E2SJ60-M26	13mm	13mm
	32 x 6g	41 x 6g

Fastener Centres

Inner Layer: 150mm centres around the perimeter of each sheet, across each joist and along each nog.

Outer Layer: 150mm centres around the perimeter of each sheet and 200mm centres along each joist and along each nog.

Place fasteners 12mm from sheet edges and 18mm from sheet ends. Avoid outer layer screws from hitting inner layer screws.

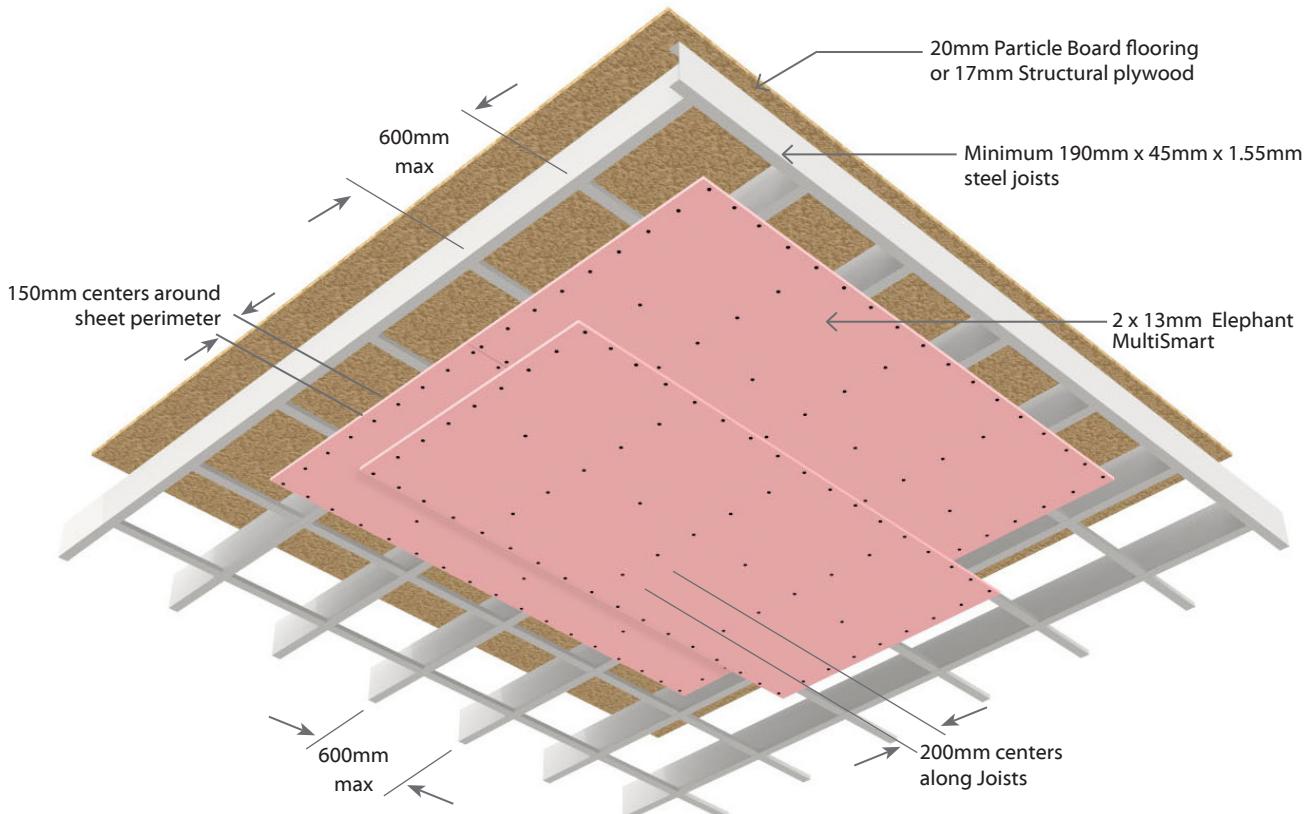
Wall/Ceiling Junction

The internal angle between the ceilings and walls must be protected by Cornice or square stopped corners, taped and filled in accordance with Elephant Plasterboard Installation Guide.

Jointing

Inner Layer: Unstopped.

Outer Layer: All fastener heads stopped and all sheet joints reinforced with paper jointing tape and stopped in accordance with the publication entitled Elephant Plasterboard Installation Guide.



E1BC30

Battened Floor/Ceiling

Load Bearing

1 Layer: 1 Layer of Plasterboard to underside side of frame

System Number	Lining Suffix	Fire Rating	Load Bearing Ability	Noise Control			Lining Requirement
				STC	Rw	IIC	
E1BC30	-M13	30/30/30	LB	39	38	32	1 x 13mm Elephant MultiSmart (back blocked)

Floor Framing

Timber floor joists shall comply with NZS3604 and spaced at no more than 600mm centres. Solid strutting is required in accordance with NZS 3604.

Alternatively, a proprietary I-joint system may be used subject to specific structural design and approved by the normal building consent process.

Nogs fixed on the flat to receive the ends of flooring material shall be 90mm x 45mm minimum.

Flooring

Flooring shall be nominal 20mm thick particle board or minimum 17mm thick structural plywood, fixed to the joists as per manufacturers' instructions.

Flooring sheet joints must either be formed over framing or have a polypropylene tongue and groove jointer.

Ceiling Framing

Ceiling battens to be fixed across the joists at 600mm centres maximum. Ceiling perimeter must be fully supported by framing.

Metal Ceiling Batten: Metal ceiling batten with minimum 35mm depth e.g. Rondo® 310.

Perimeter channels are required to receive the ends of the metal ceiling battens.

Wall angles or perimeter channels required at wall/ceiling junctions parallel to the metal ceiling battens.

Timber Ceiling Batten: Minimum 70mm x 35mm timber ceiling battens. Nogs or framing is required at the perimeter of the fire rated ceiling.

Plasterboard Lining

One layer of 13mm Elephant MultiSmart fixed at right angles to the underside of the ceiling battens.

All sheet end butt joints shall occur on the battens.

Joints formed by sheet edges shall be back blocked between ceiling battens with strips of plasterboard equivalent to the lining thickness used and with a minimum width 300mm.

Sheets to be touch fitted.

Fixing of Linings Fasteners

System Number	Single Layer	
	Metal Ceiling Batten	Timber Ceiling Batten
	Self-Tapping Drywall Screws	High Thread Drywall Screws
E1BC30-M13	13mm	13mm
	25 x 6g	41 x 6g

Fastener Centres

Ceiling sheets shall be fixed at 200mm centres along each ceiling batten and around ceiling perimeter.

Fix butt ends at 200mm centres.

Place fasteners no closer than 12mm from sheet edges and 18mm from sheet ends.

Wall/Ceiling Junction

The internal angle between the ceilings and walls must be protected by Cornice or square stopped corners, taped and filled in accordance with Elephant Plasterboard Installation Guide.

Jointing

All fastener heads stopped and all sheet joints reinforced with paper jointing tape and stopped. All in accordance with the Elephant Plasterboard Installation Guide.



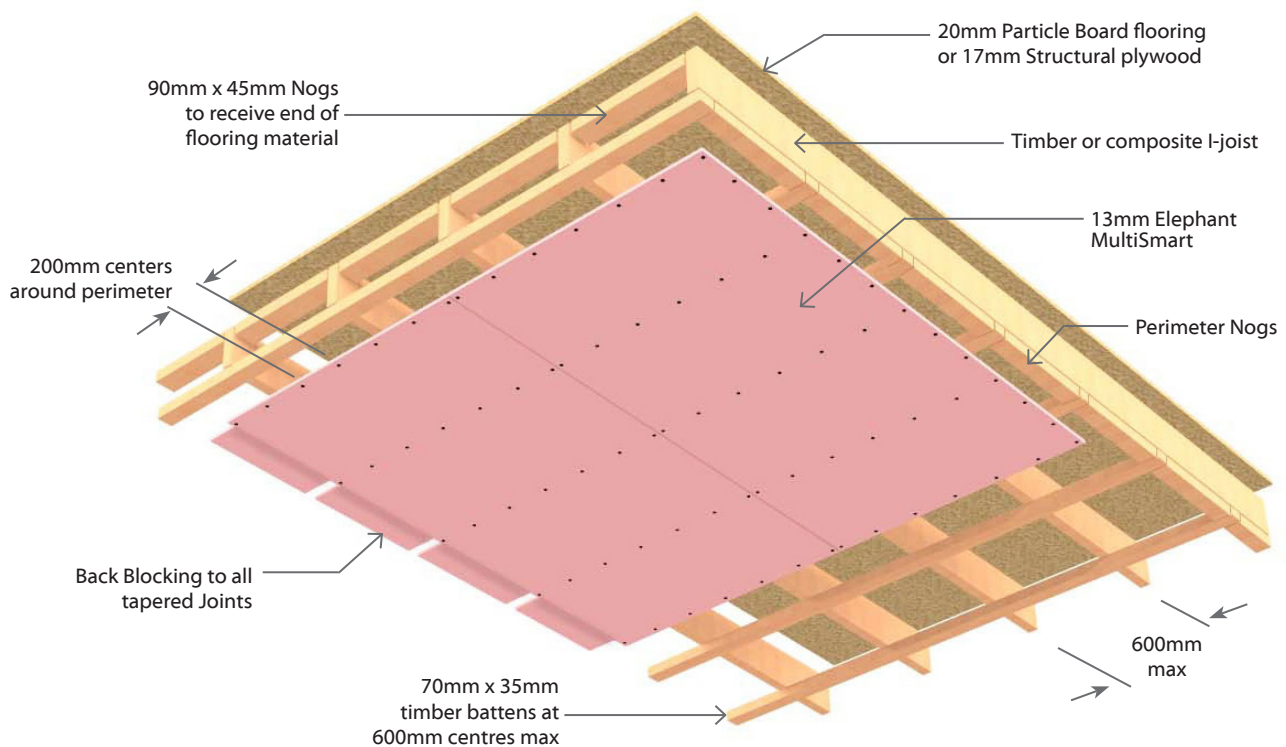
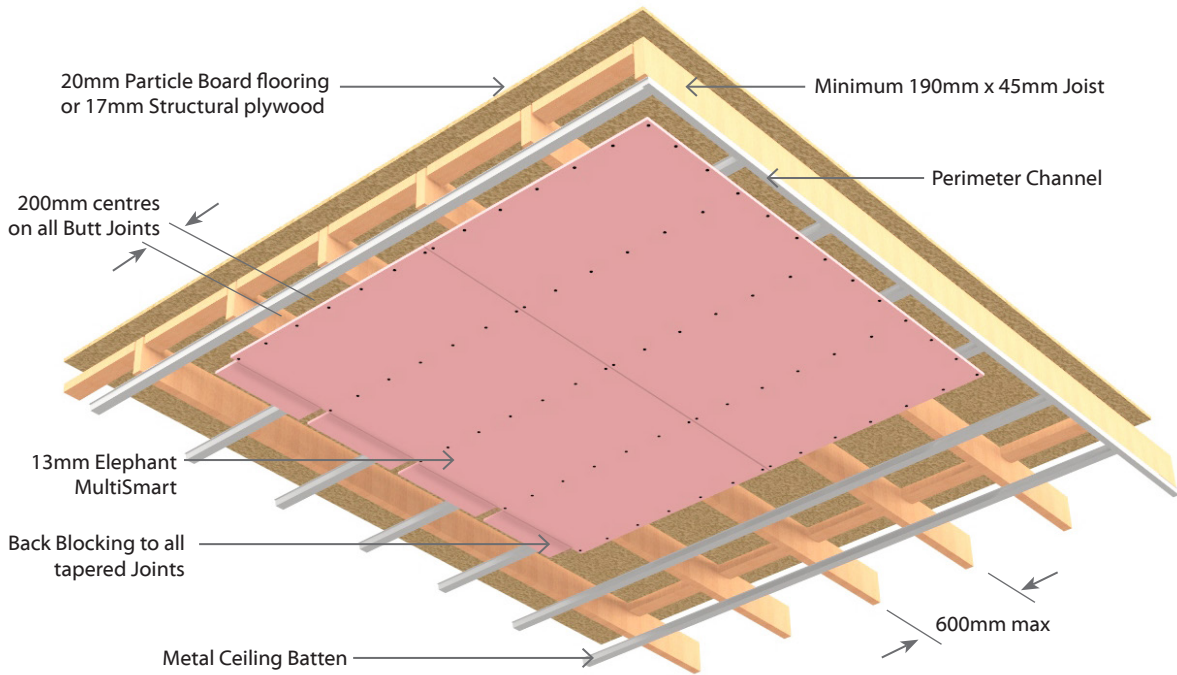
E1BC30

Battened Floor/Ceiling

Load Bearing

1 Layer: 1 Layer of Plasterboard to underside side of frame

System Number	Lining Suffix	Fire Rating	Load Bearing Ability	Noise Control			Lining Requirement
				STC	Rw	IIC	
E1BC30	-M13	30/30/30	LB	39	38	32	1 x 13mm Elephant MultiSmart (back blocked)



E1BC60

Battened Floor/Ceiling

Load Bearing

1 Layer: 1 Layer of Plasterboard to underside side of frame

System Number	Lining Suffix	Fire Rating	Load Bearing Ability	Noise Control			Lining Requirement
				STC	Rw	IIC	
E1BC60	-F16	60/60/60	LB	39	38	32	1 x 16mm Elephant FireSmart (back blocked)

Floor Framing

Timber floor joists shall comply with NZS3604 with a minimum depth of 190mm x 45mm and spaced at no more than 600mm centres. Solid strutting is required in accordance with NZS 3604.

Alternatively, a proprietary I-joint system may be used subject to specific structural design and approved by the normal building consent process.

Nogs fixed on the flat to receive the ends of flooring material shall be 90mm x 45mm minimum.

Flooring

Flooring shall be nominal 20mm thick particle board or minimum 17mm thick structural plywood, fixed to the joists as per manufacturers' instructions.

Flooring sheet joints must either be formed over framing or have a polypropylene tongue and groove jointer.

Ceiling Framing

Ceiling battens to be fixed across the joists at 600mm centres maximum. Ceiling perimeter must be fully supported by framing.

Metal Ceiling Batten: Metal ceiling batten with minimum 35mm depth e.g. Rondo® 310.

Perimeter channels are required to receive the ends of the metal ceiling battens.

Wall angles or perimeter channels required at wall/ceiling junctions parallel to the metal ceiling battens.

Timber Ceiling Batten: Minimum 70mm x 35mm timber ceiling battens. Nogs or framing is required at the perimeter of the fire rated ceiling.

Plasterboard Lining

One layer of 16mm Elephant FireSmart fixed at right angles to the underside of the ceiling battens.

All sheet end butt joints shall occur on the battens.

Joints formed by sheet edges shall be back blocked between ceiling battens with strips of plasterboard equivalent to the lining thickness used and with a minimum width 300mm.

Sheets to be touch fitted.

Fixing of Linings Fasteners

System Number	Single Layer	
	Metal Ceiling Batten	Timber Ceiling Batten
	Self-Tapping Drywall Screws	High Thread Drywall Screws
E1BC60-F16	16mm	16mm
	32 x 6g	51 x 7g

Fastener Centres

Ceiling sheets shall be fixed at 200mm centres along each ceiling batten and around ceiling perimeter.

Fix butt ends at 200mm centres.

Place fasteners no closer than 12mm from sheet edges and 18mm from sheet ends.

Wall/Ceiling Junction

The internal angle between the ceilings and walls must be protected by Cornice or square stopped corners, taped and filled in accordance with Elephant Plasterboard Installation Guide.

Jointing

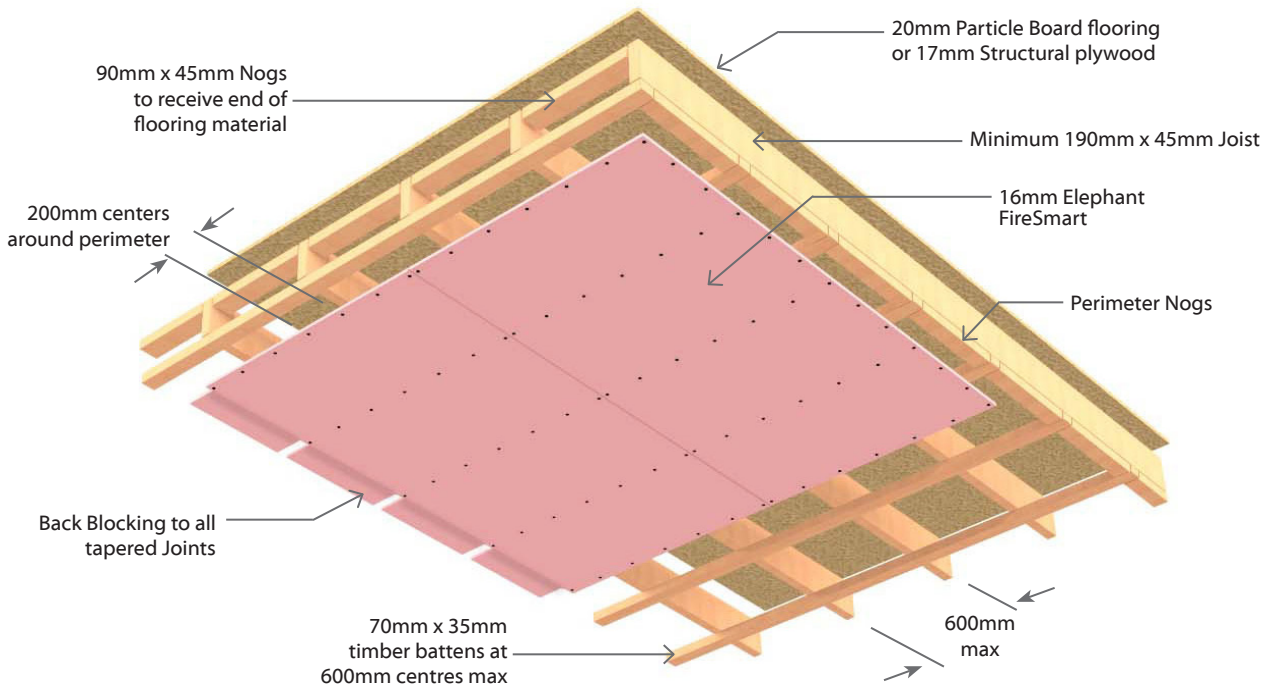
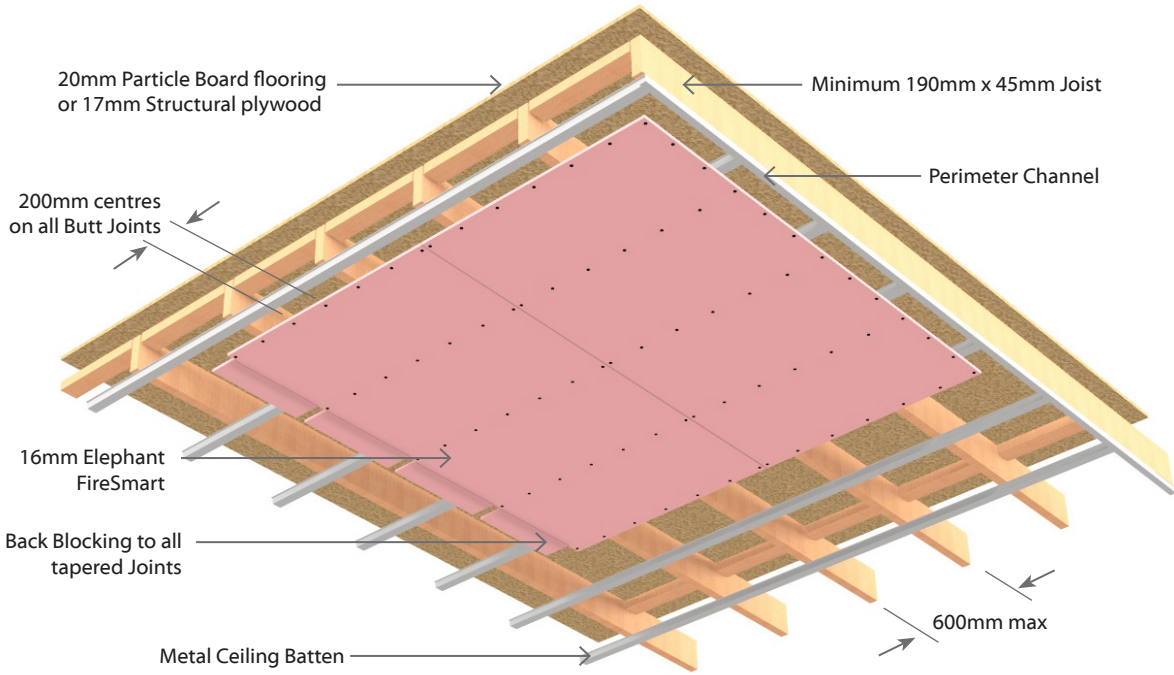
All fastener heads stopped and all sheet joints reinforced with paper jointing tape and stopped. All in accordance with the Elephant Plasterboard Installation Guide.



E1BC60 Battened Floor/Ceiling Load Bearing

1 Layer: 1 Layer of Plasterboard to underside side of frame

System Number	Lining Suffix	Fire Rating	Load Bearing Ability	Noise Control			Lining Requirement
				STC	Rw	IIC	
E1BC60	-F16	60/60/60	LB	39	38	32	1 x 16mm Elephant FireSmart (back blocked)



E1DF45

Direct Fix Clip Floor/Ceiling

Load Bearing

1 Layer: 1 Layer of Plasterboard to underside side of frame

System Number	Lining Suffix	Fire Rating	Load Bearing Ability	Noise Control			Lining Requirement
				STC	Rw	IIC	
E1DF45	-M13	45/45/45	LB	49	48	42	1 x 13mm Elephant MultiSmart (back blocked)

Floor Framing

Timber floor joists shall comply with NZS3604 with a minimum depth of 190mm x 45mm and spaced at no more than 600mm centres. Solid strutting is required in accordance with NZS 3604.

Nogs fixed on the flat to receive the ends of flooring material shall be 90mm x 45mm minimum.

Alternatively, a proprietary I-joist system may be used subject to specific structural design and approved by the normal building consent process. Consult the joist manufacturer regarding construction of the solid blocking contained in the floor/ceiling to wall junctions.

Flooring

Flooring shall be 20mm thick particle board or 17mm thick structural ply, fixed to the joists as per manufacturer's instructions.

Flooring sheet joints must either be formed over framing or have a polypropylene tongue and groove jointer.

Clip and Battens

Ceiling battens to be fixed across the joists at 600mm centres maximum. Ceiling perimeter must be fully supported by framing.

The Clip shall be fastened to the joists at 1200mm centres maximum (and no less than 900mm centres) to support the metal ceiling battens. They are spaced at 600mm centres maximum. Use 3 x 32mm x 8g Wafer Head screws. Insert first screw into the middle slot. Adjust clip to correct height. Then insert remaining two screws.

Perimeter channels are required to receive the ends of the metal ceiling battens.

Wall angles or perimeter channels required at wall/ceiling junctions parallel to the metal ceiling battens.

Plasterboard Lining

One layer of 13mm Elephant MultiSmart fixed at right angles to the metal ceiling battens. All sheet end butt joints shall occur on the battens. Joints formed by sheet edges shall be back blocked between furring channels with strips of plasterboard equivalent to the lining thickness used and with a minimum width 300mm. They shall be adhered with a cove or cornice bond adhesive. Sheets shall be touch fitted.

Fixing the Lining

Fasteners

System Number	Single Layer
	Self-Tapping Drywall Screws
E1DF45-M13	13mm
	25 x 6g

Fastening Centres

Ceiling sheets shall be fixed at 200mm centres along each metal ceiling batten and around ceiling perimeter.

Fix butt ends at 100mm centres.

Place fasteners no closer than 12mm from sheet edges.

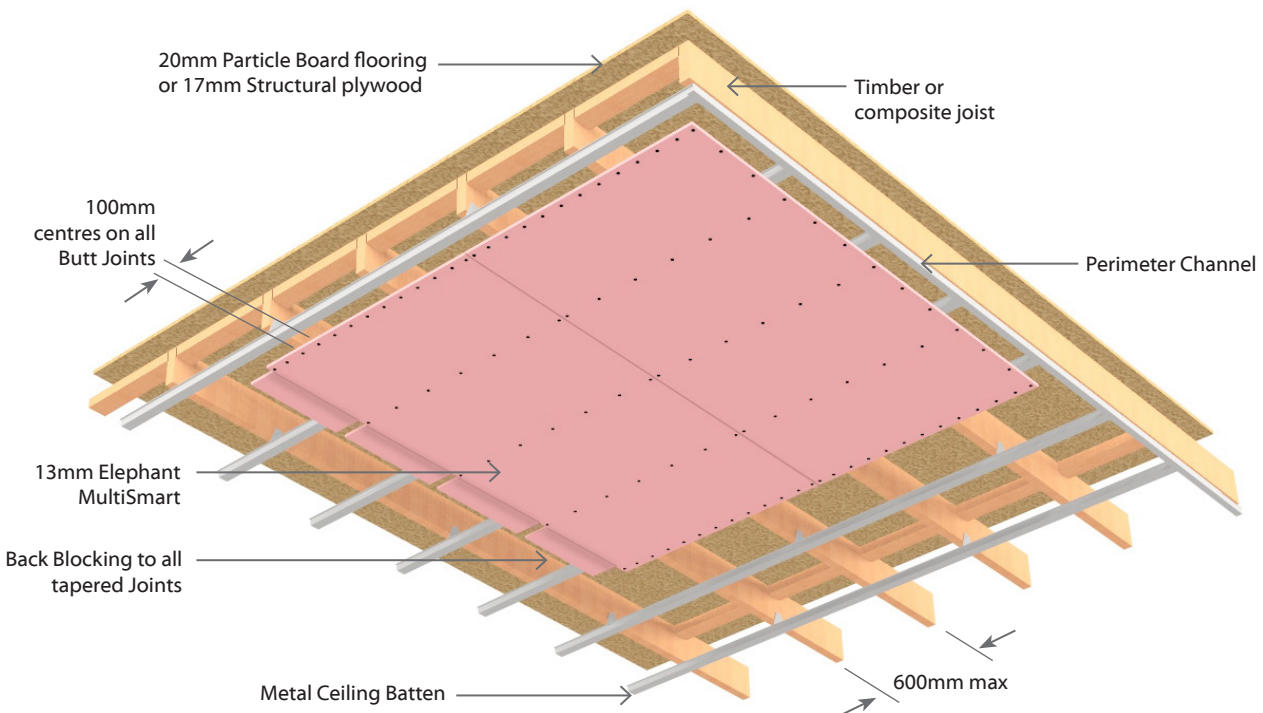
Place fasteners no closer than 18mm from sheet ends. However this can be reduced to 12mm if sheet ends occur on metal ceiling battens.

Wall/Ceiling Junction

The internal angle between the ceilings and walls must be protected by Cornice or square stopped corners, taped and filled in accordance with Elephant Plasterboard Installation Guide.

Jointing

All fastener heads stopped and all sheet joints reinforced with paper jointing tape and stopped in accordance with the publication entitled Elephant Plasterboard Installation Guide.



E1DF60

Direct Fix Clip Floor/Ceiling

Load Bearing

1 Layer: 1 Layer of Plasterboard to underside side of frame

System Number	Lining Suffix	Fire Rating	Load Bearing Ability	Noise Control			Lining Requirement
				STC	Rw	IIC	
E1DF60	-F16	60/60/60	LB	49	48	43	1 x 16mm Elephant FireSmart (back blocked)

Floor Framing

Timber floor joists shall comply with NZS3604 with a minimum depth of 190mm x 45mm and spaced at no more than 600mm centres. Solid strutting is required in accordance with NZS 3604.

Nogs fixed on the flat to receive the ends of flooring material shall be 90mm x 45mm minimum.

Alternatively, a proprietary I-joist system may be used subject to specific structural design and approved by the normal building consent process. Consult the joist manufacturer regarding construction of the solid blocking contained in the floor/ceiling to wall junctions.

Flooring

Flooring shall be 20mm thick particle board or 17mm thick structural ply, fixed to the joists as per manufacturer's instructions.

Flooring sheet joints must either be formed over framing or have a polypropylene tongue and groove jointer.

Clip and Battens

Ceiling battens to be fixed across the joists at 600mm centres maximum. Ceiling perimeter must be fully supported by framing.

The Clip shall be fastened to the joists at 1200mm centres maximum (and no less than 900mm centres) to support the metal ceiling battens. They are spaced at 600mm centres maximum. Use 3 x 32mm x 8g Wafer Head screws. Insert first screw into the middle slot. Adjust clip to correct height. Then insert remaining two screws.

Perimeter channels are required to receive the ends of the metal ceiling battens.

Wall angles or perimeter channels required at wall/ceiling junctions parallel to the metal ceiling battens.

Plasterboard Lining

One layer of 16mm Elephant FireSmart fixed at right angles to the metal ceiling battens. All sheet end butt joints shall occur on the battens. Joints formed by sheet edges shall be back blocked between furring channels with strips of plasterboard equivalent to the lining thickness used and with a minimum width 300mm. They shall be adhered with a cove or cornice bond adhesive. Sheets shall be touch fitted.

Fixing the Lining

Fasteners

System Number	Single Layer
	Self-Tapping Drywall Screws
E1DF60-F16	16mm
	32 x 6g

Fastening Centres

Ceiling sheets shall be fixed at 200mm centres along each metal ceiling batten and around ceiling perimeter.

Fix butt ends at 100mm centres.

Place fasteners no closer than 12mm from sheet edges.

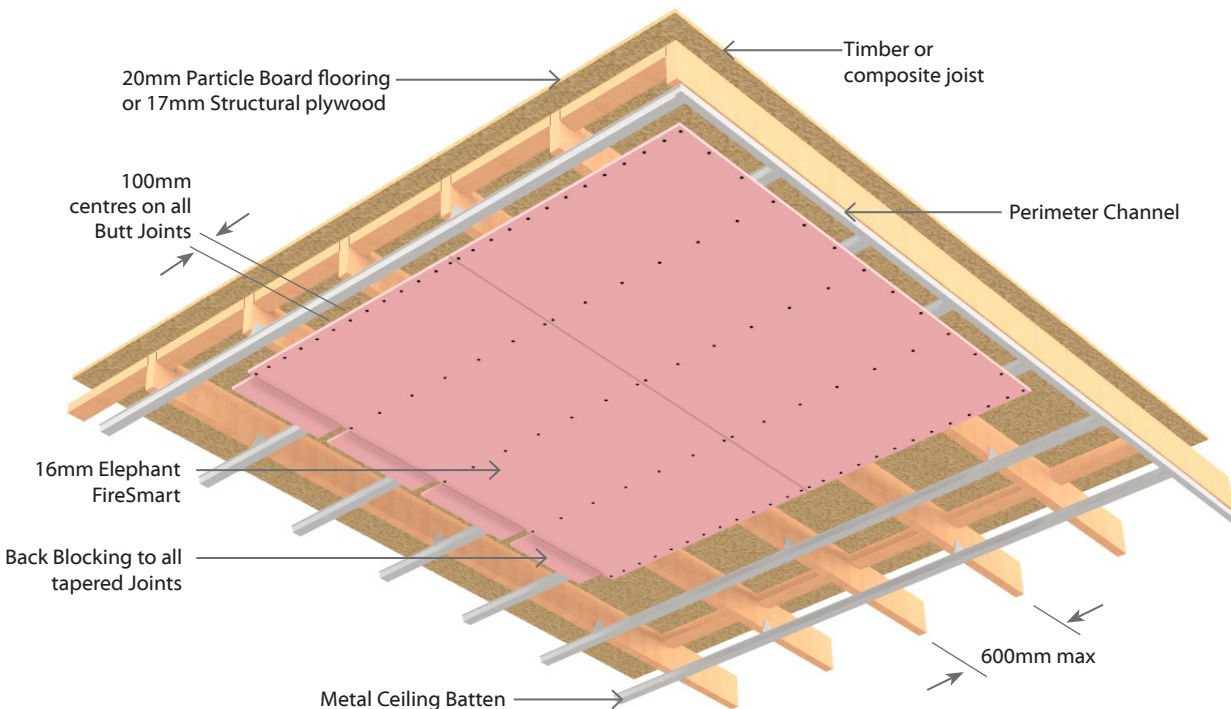
Place fasteners no closer than 18mm from sheet ends. However this can be reduced to 12mm if sheet ends occur on metal ceiling battens

Wall/Ceiling Junction

The internal angle between the ceilings and walls must be protected by Cornice or square stopped corners, taped and filled in accordance with Elephant Plasterboard Installation Guide.

Jointing

All fastener heads stopped and all sheet joints reinforced with paper jointing tape and stopped in accordance with the publication entitled Elephant Plasterboard Installation Guide.



E2DF60

Direct Fix Clip Floor/Ceiling

Load Bearing

2 Layers: 2 Layers of Plasterboard to underside side of frame

System Number	Lining Suffix	Fire Rating	Load Bearing Ability	Noise Control			Lining Requirement
				STC	Rw	IIC	
E2DF60	-MS26	60/60/60	LB	49	48	43	1 x 13mm Elephant MultiSmart and 1 x 13mm Elephant Standard

Floor Framing

Timber floor joists shall comply with NZS3604 with a minimum depth of 190mm x 45mm and spaced at no more than 600mm centres. Solid strutting is required in accordance with NZS 3604.

Nogs fixed on the flat to receive the ends of flooring material shall be 90mm x 45mm minimum.

Alternatively, a proprietary I-joist system may be used subject to specific structural design and approved by the normal building consent process. Consult the joist manufacturer regarding construction of the solid blocking contained in the floor/ceiling to wall junctions.

Flooring

Flooring shall be 20mm thick particle board or 17mm thick structural ply, fixed to the joists as per manufacturer's instructions.

Flooring sheet joints must either be formed over framing or have a polypropylene tongue and groove jointer.

Clip and Battens

The Clip shall be fastened to the joists at 1200mm centres maximum (and no less than 900mm centres) to support the metal ceiling battens. They are spaced at 600mm centres maximum. Use 3 x 32mm x 8g Wafer Head screws. Insert first screw into the middle slot. Adjust clip to correct height. Then insert remaining two screws.

Perimeter channels are required to receive the ends of the metal ceiling battens.

Wall angles or perimeter channels required at wall/ceiling junctions parallel to the metal ceiling battens.

Plasterboard Lining

One layer of 13mm Elephant MultiSmart and One layer of 13mm Elephant Standard fixed at right angles to the metal ceiling battens. All sheet end butt joints shall occur on the battens. Offset the outer layer by 600mm from the inner layer. Sheet joints shall be touch fitted.

Fixing the Lining

Fasteners

System Number	1 st Layer	2 nd Layer
		Self-Tapping Drywall Screws
E2DF60-MS26	13mm	13mm
	25 x 6g	41 x 6g

Fastening Centres

Ceiling sheets shall be fixed at 200mm centres along each metal ceiling batten and around ceiling perimeter.

Fix butt ends at 100mm centres.

Place fasteners no closer than 12mm from sheet edges.

Place fasteners no closer than 18mm from sheet ends. However this can be reduced to 12mm if sheet ends occur on metal ceiling battens.

Avoid outer layer screws from hitting inner layer screws.

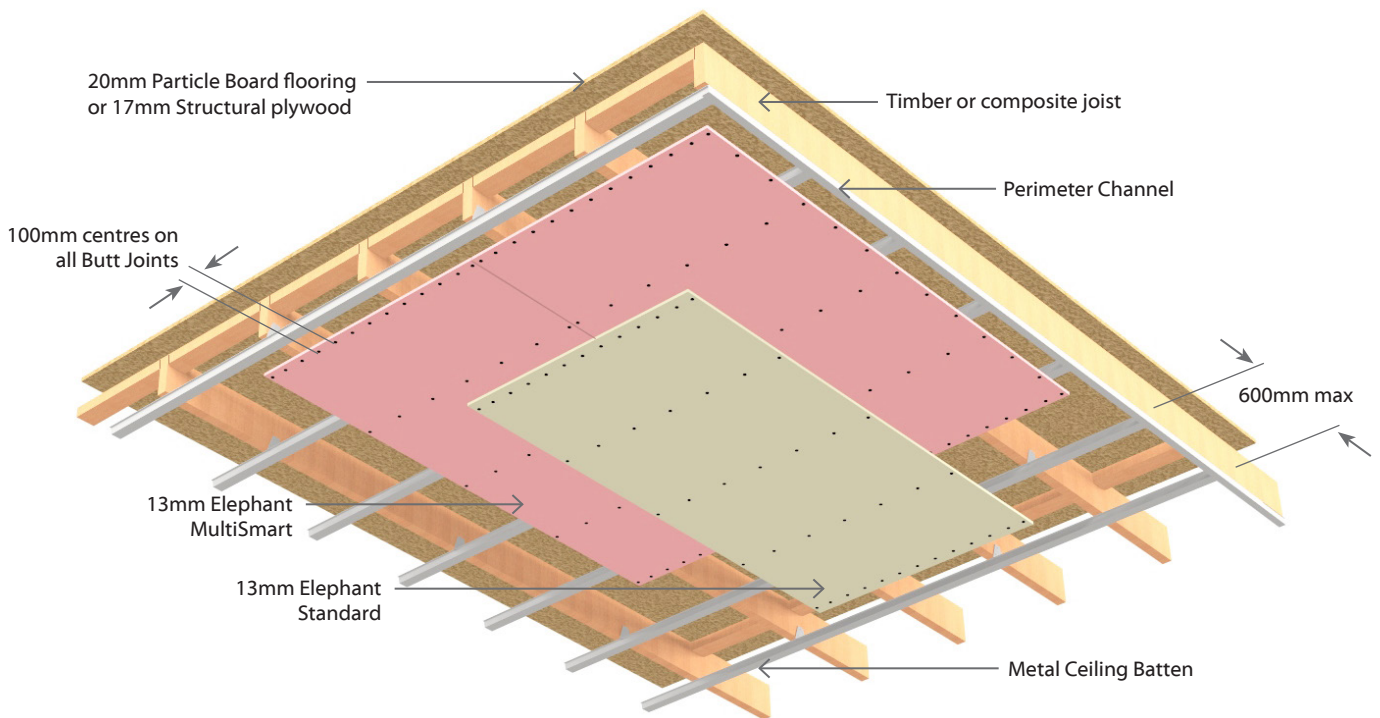
Wall/Ceiling Junction

The internal angle between the ceilings and walls must be protected by Cornice or square stopped corners, taped and filled in accordance with Elephant Plasterboard Installation Guide.

Jointing

Inner layer: Unstopped.

Outer Layer: All fastener heads stopped and all sheet joints reinforced with paper jointing tape and stopped in accordance with the publication entitled Elephant Plasterboard Installation Guide.



E2DF75

Direct Fix Clip Floor/Ceiling

Load Bearing

2 Layers: 2 Layers of Plasterboard to underside side of frame

System Number	Lining Suffix	Fire Rating	Load Bearing Ability	Noise Control			Lining Requirement
				STC	Rw	IIC	
E2DF75	-M26	75/75/75	LB	52	51	43	2 x 13mm Elephant MultiSmart

Floor Framing

Timber floor joists shall comply with NZS3604 with a minimum depth of 190mm x 45mm and spaced at no more than 600mm centres. Solid strutting is required in accordance with NZS 3604.

Nogs fixed on the flat to receive the ends of flooring material shall be 90mm x 45mm minimum.

Alternatively, a proprietary I-joist system may be used subject to specific structural design and approved by the normal building consent process. Consult the joist manufacturer regarding construction of the solid blocking contained in the floor/ceiling to wall junctions.

Flooring

Flooring shall be 20mm thick particle board or 17mm thick structural ply, fixed to the joists as per manufacturer's instructions.

Flooring sheet joints must either be formed over framing or have a polypropylene tongue and groove jointer.

Clip and Battens

The Clip shall be fastened to the joists at 1200mm centres maximum (and no less than 900mm centres) to support the metal ceiling battens. They are spaced at 600mm centres maximum. Use 3 x 32mm x 8g Wafer Head screws. Insert first screw into the middle slot. Adjust clip to correct height. Then insert remaining two screws.

Perimeter channels are required to receive the ends of the metal ceiling battens.

Wall angles or perimeter channels required at wall/ceiling junctions parallel to the metal ceiling battens.

Plasterboard Lining

Two layers of 13mm Elephant MultiSmart fixed at right angles to the metal ceiling battens. All sheet end butt joints shall occur on the battens. Offset the outer layer by 600mm from the inner layer. Sheet joints shall be touch fitted.

Fixing the Lining

Fasteners

System Number	1 st Layer	2 nd Layer
	Self-Tapping Drywall Screws	
E2DF75-M26	13mm	13mm
	25 x 6g	41 x 6g

Fastening Centres

Ceiling sheets shall be fixed at 200mm centres along each metal ceiling batten and around ceiling perimeter.

Fix butt ends at 100mm centres.

Place fasteners no closer than 12mm from sheet edges.

Place fasteners no closer than 18mm from sheet ends. However this can be reduced to 12mm if sheet ends occur on metal ceiling battens.

Avoid outer layer screws from hitting inner layer screws.

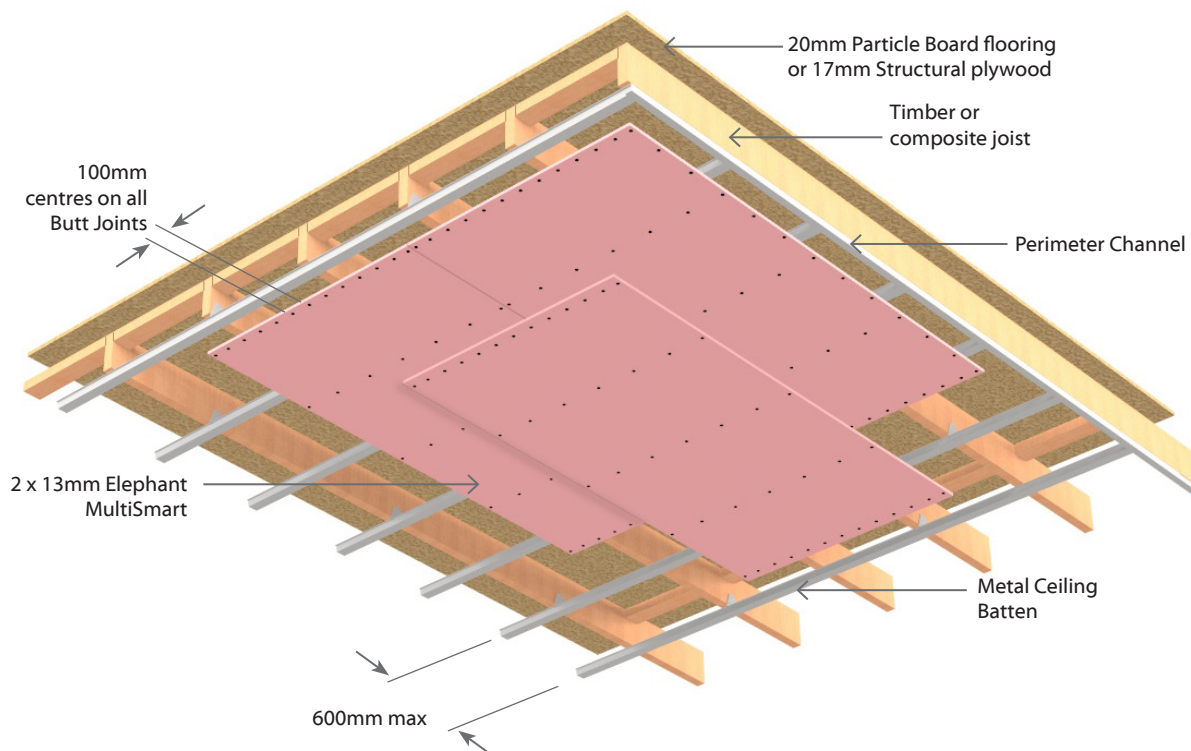
Wall/Ceiling Junction

The internal angle between the ceilings and walls must be protected by Cornice or square stopped corners, taped and filled in accordance with Elephant Plasterboard Installation Guide.

Jointing

Inner layer: Unstopped.

Outer Layer: All fastener heads stopped and all sheet joints reinforced with paper jointing tape and stopped in accordance with the publication entitled Elephant Plasterboard Installation Guide.



E2DF90

Direct Fix Clip Floor/Ceiling

Load Bearing

2 Layers: 2 Layers of Plasterboard to underside side of frame

System Number	Lining Suffix	Fire Rating	Load Bearing Ability	Noise Control			Lining Requirement
				STC	Rw	IIC	
E2DF90	-F32	90/90/90	LB	54	53	43	2 x 16mm Elephant FireSmart

Floor Framing

Timber floor joists shall comply with NZS3604 with a minimum depth of 190mm x 45mm and spaced at no more than 600mm centres. Solid strutting is required in accordance with NZS 3604.

Nogs fixed on the flat to receive the ends of flooring material shall be 90mm x 45mm minimum.

Flooring

Flooring shall be 20mm thick particle board or 17mm thick structural ply, fixed to the joists as per manufacturer's instructions.

Flooring sheet joints must either be formed over framing or have a polypropylene tongue and groove jointer.

Clip and Battens

The Clip shall be fastened to the joists at 1200mm centres maximum (and no less than 900mm centres) to support the metal ceiling battens. They are spaced at 600mm centres maximum. Use 3 x 32mm x 8g Wafer Head screws. Insert first screw into the middle slot. Adjust clip to correct height. Then insert remaining two screws.

Perimeter channels are required to receive the ends of the metal ceiling battens.

Wall angles or perimeter channels required at wall/ceiling junctions parallel to the metal ceiling battens.

Plasterboard Lining

Two layers of 16mm Elephant FireSmart fixed at right angles to the metal ceiling battens. All sheet end butt joints shall occur on the battens. Offset the outer layer by 600mm from the inner layer. Sheet joints shall be touch fitted.

Fixing the Lining

Fasteners

System Number	1 st Layer	2 nd Layer
		Self-Tapping Drywall Screws
E2DF90-F32	16mm	16mm
	32 x 6g	51 x 7g

Fastening Centres

Ceiling sheets shall be fixed at 200mm centres along each metal ceiling batten and around ceiling perimeter.

Fix butt ends at 100mm centres.

Place fasteners no closer than 12mm from sheet edges.

Place fasteners no closer than 18mm from sheet ends. However this can be reduced to 12mm if sheet ends occur on metal ceiling battens.

Avoid outer layer screws from hitting inner layer screws.

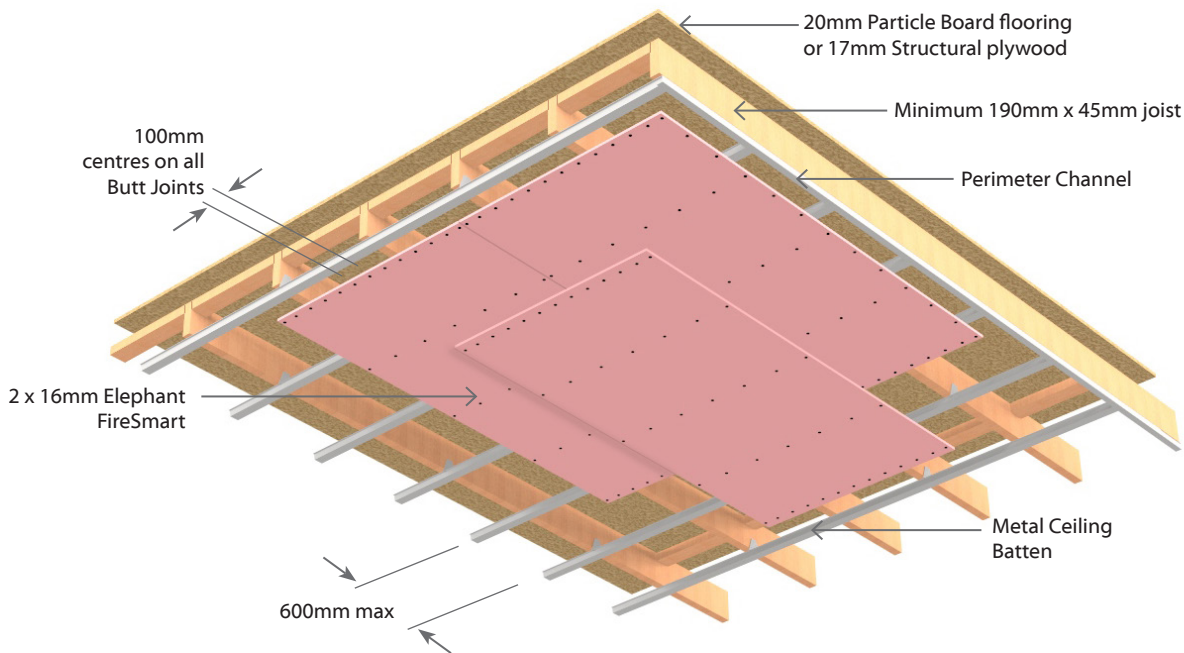
Wall/Ceiling Junction

The internal angle between the ceilings and walls must be protected by Cornice or square stopped corners, taped and filled in accordance with Elephant Plasterboard Installation Guide.

Jointing

Inner layer: Unstopped.

Outer Layer: All fastener heads stopped and all sheet joints reinforced with paper jointing tape and stopped in accordance with the publication entitled Elephant Plasterboard Installation Guide.



E3DF120

Direct Fix Clip Floor/Ceiling

Load Bearing

3 Layers: 3 Layers of Plasterboard to underside side of frame

System Number	Lining Suffix	Fire Rating	Load Bearing Ability	Noise Control			Lining Requirement
				STC	Rw	IIC	
E3DF120	-M39	120/120/120	LB	54	53	43	3 x 13mm Elephant MultiSmart

Floor Framing

Timber floor joists shall comply with NZS3604 with a minimum depth of 190mm x 45mm and spaced at no more than 600mm centres. Solid strutting is required in accordance with NZS 3604.

Nogs fixed on the flat to receive the ends of flooring material shall be 90mm x 45mm minimum.

Flooring

Flooring shall be 20mm thick particle board or 17mm thick structural ply, fixed to the joists as per manufacturer's instructions.

Flooring sheet joints must either be formed over framing or have a polypropylene tongue and groove jointer.

Clip and Battens

The Clip shall be fastened to the joists at 1200mm centres maximum (and no less than 900mm centres) to support the metal ceiling battens. They are spaced at 600mm centres maximum. Use 3 x 32mm x 8g Wafer Head screws. Insert first screw into the middle slot. Adjust clip to correct height. Then insert remaining two screws.

Perimeter channels are required to receive the ends of the metal ceiling battens.

Wall angles or perimeter channels required at wall/ceiling junctions parallel to the metal ceiling battens.

Plasterboard Lining

Three layers of 13mm Elephant MultiSmart fixed at right angles to the metal ceiling battens. All sheet end butt joints shall occur on the battens. Offset the outer layer by 600mm from the inner layer. Sheets shall be touch fitted.

Fixing the Lining

Fasteners

System Number	1 st Layer	2 nd Layer	3 rd Layer
	Self-Tapping Drywall Screws		
E3DF120-M39	13mm	13mm	13mm
	32 x 6g	41 x 6g	51 x 7g

Fastening Centres

For all layers, ceiling sheets shall be fixed at 200mm centres along each metal ceiling batten and around ceiling perimeter.

Fix butt ends at 100mm centres.

Place fasteners no closer than 12mm from sheet edges.

Place fasteners no closer than 18mm from sheet ends. However this can be reduced to 12mm if sheet ends occur on metal ceiling battens.

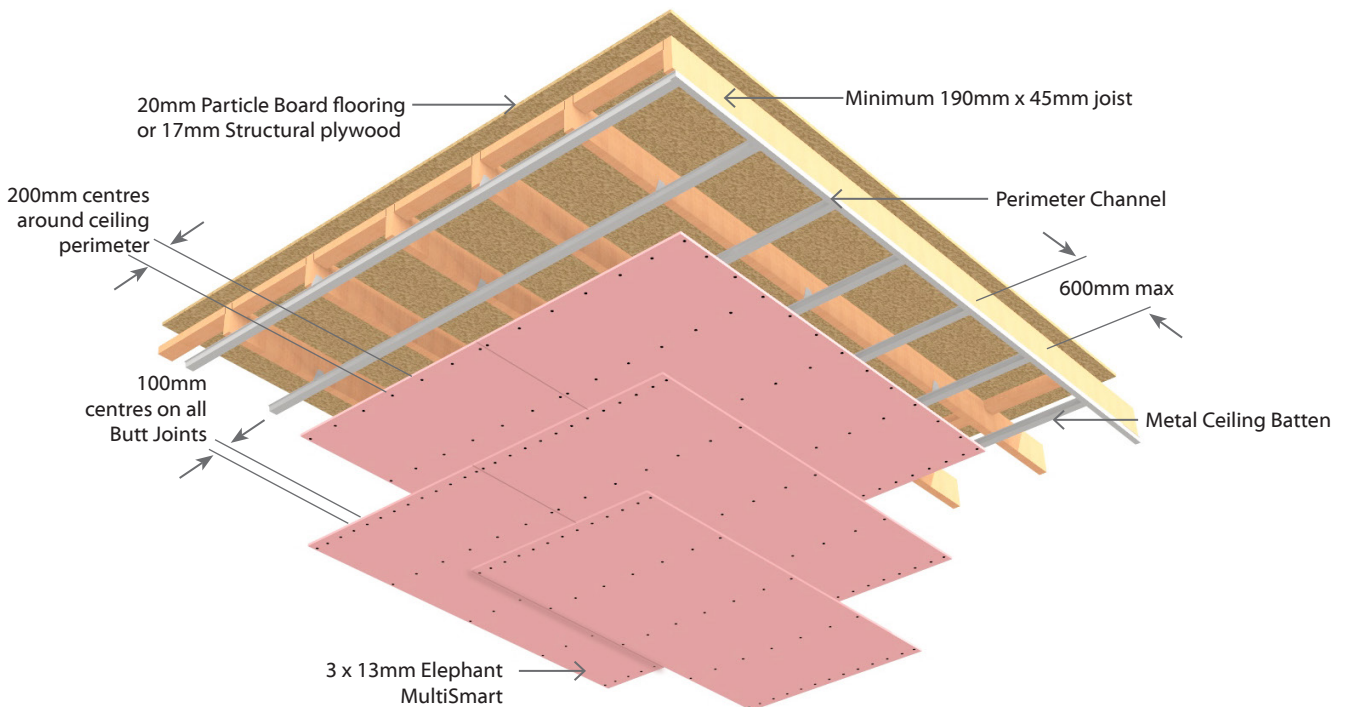
Avoid outer layer screws from hitting inner layer screws.

Wall/Ceiling Junction

The internal angle between the ceilings and walls must be protected by Cornice or square stopped corners, taped and filled in accordance with Elephant Plasterboard Installation Guide.

Jointing

All fastener heads stopped and all sheet joints reinforced with paper jointing tape and stopped in accordance with the publication entitled Elephant Plasterboard Installation Guide.



E2SC30

Suspended Grid Floor/Ceiling

Load Bearing

2 Layers: 2 Layers of Plasterboard to underside side of frame

System Number	Lining Suffix	Fire Rating	Load Bearing Ability	Noise Control			Lining Requirement
				STC	Rw	IIC	
E2SC30	-S26	30/30/30	LB	50	49	42	2 x 13mm Elephant Standard
	-M20	30/30/30	LB	50	49	42	2 x 10mm Elephant MultiSmart

Floor Framing

Timber floor joists shall comply with NZS3604 and spaced at no more than 600mm centres. Solid strutting is required in accordance with NZS 3604.

Alternatively, a proprietary I-joist system may be used subject to specific structural design and approved by the normal building consent process.

Nogs fixed on the flat to receive the ends of flooring material shall be 90mm x 45mm minimum.

Flooring

Flooring shall be 20mm thick particle board or 17mm thick structural ply, fixed to the joists as per manufacturer's instructions.

Flooring sheet joints must either be formed over framing or have a polypropylene tongue and groove jointer.

Suspension System

Rondo® KEY-LOCK™ steel frame suspension system comprising 2.5mm wire hangers at 1200mm centres supporting top cross rails (part 128) spaced at a maximum of 1200mm centres and furring channels (part 129) at 600mm centres.

OR

Rondo ScrewFix® steel frame suspension system comprising 2.5mm wire hangers at 1200mm centres supporting F38 strong back channels spaced at a maximum of 1200mm centres and F37 furring channels at 600mm centres.

OR

Alternative suspension systems with equivalent performance characteristics and layout may be used.

Suspended Grid ceiling system to be installed as per manufacturer's specification.

Plasterboard Lining

Two layers of Elephant Plasterboard as per specified system above, fixed perpendicular to the furring channels. Offset the joints of the outer layer by 600mm from those of the inner layer.

All sheet butt joints must occur on the furring channel. Sheet joints shall be touch fitted.

Fixing of Linings

Fasteners (As per Specified System Above)

System Number	1 st Layer	2 nd Layer
	Self-Tapping Drywall Screws	
E2SC30-M20	10mm	10mm
	25 x 6g	32 x 6g
E2SC30-S26	13mm	13mm
	25 x 6g	41 x 6g

Fastener Centres

Ceiling sheets shall be fixed at 200mm centres along each furring channel, around the ceiling perimeter and at 200mm centres where butt joints occur.

Place fasteners no closer than 12mm from sheet edges.

Place fasteners no closer than 18mm from sheet ends. However this can be reduced to 12mm if sheet ends occur on furring channels.

Avoid outer layer screws from hitting inner layer screws.

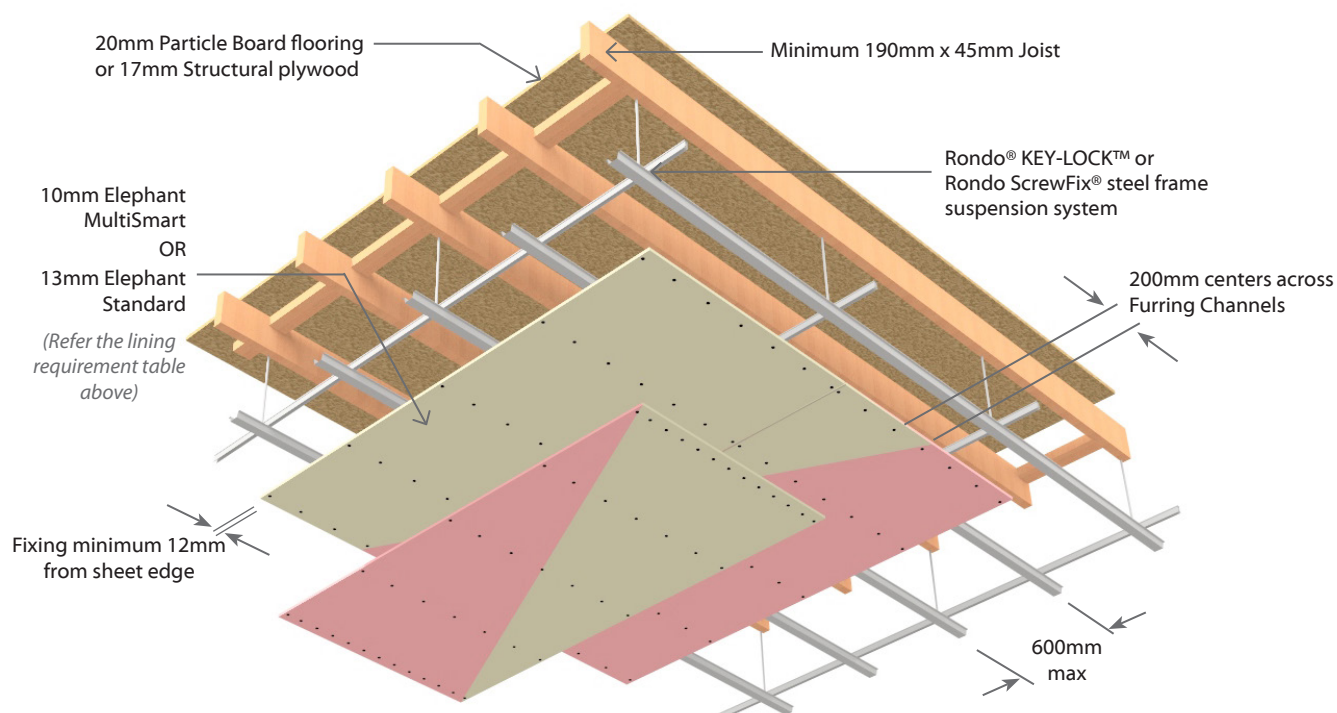
Wall/Ceiling Junction

The internal angle between the ceilings and walls must be protected by Cornice or square stopped corners, taped and filled in accordance with Elephant Plasterboard Installation Guide.

Jointing

Inner layer: Unstopped.

Outer Layer: All fastener heads stopped and all sheet joints reinforced with paper jointing tape and stopped in accordance with the publication entitled Elephant Plasterboard Installation Guide.



E1SC45

Suspended Grid Floor/Ceiling

Load Bearing

1 Layer: 1 Layer of Plasterboard to underside side of frame

System Number	Lining Suffix	Fire Rating	Load Bearing Ability	Noise Control			Lining Requirement
				STC	Rw	IIC	
E1SC45	-M13	45/45/45	LB	48	47	42	1 x 13mm Elephant MultiSmart (back blocked)

Floor Framing

Timber floor joists shall comply with NZS3604 and spaced at no more than 600mm centres. Solid strutting is required in accordance with NZS 3604.

Alternatively, a proprietary I-joint system may be used subject to specific structural design and approved by the normal building consent process.

Nogs fixed on the flat to receive the ends of flooring material shall be 90mm x 45mm minimum.

Flooring

Flooring shall be 20mm thick particle board or 17mm thick structural ply, fixed to the joists as per manufacturer's instructions.

Flooring sheet joints must either be formed over framing or have a polypropylene tongue and groove jointer.

Suspension System

Rondo® KEY-LOCK™ steel frame suspension system comprising 2.5mm wire hangers at 1200mm centres supporting top cross rails (part 128) spaced at a maximum of 1200mm centres and (part 129) furring channels at 600mm centres.

OR

Rondo ScrewFix® steel frame suspension system comprising 2.5mm wire hangers at 1200mm centres supporting F38 strong back channels spaced at a maximum of 1200mm centres and F37 furring channels at 600mm centres.

OR

Alternative suspension systems with equivalent performance characteristics and layout may be used.

Suspended Grid ceiling system to be installed as per manufacturer's specification.

Plasterboard Lining

One layer of 13mm Elephant MultiSmart fixed at right angles to the furring channels. All sheet butt joints must occur on the furring channel. Joints formed by sheet edges shall be back blocked between furring channels with strips of plasterboard equivalent to the lining thickness used and with a minimum width 300mm. They shall be adhered with a cove or cornice bond adhesive.

Sheet joints shall be touch fitted.

Fixing the Lining

Fasteners

System Number	Single Layer
	Self-Tapping Drywall Screw
E1SC45-M13	13mm
	25 x 6g

Fastening Centres

Ceiling sheets shall be fixed at 200mm centres along each furring channel, around the ceiling perimeter and at 200mm centres where butt joints occur.

Place fasteners no closer than 12mm from sheet edges.

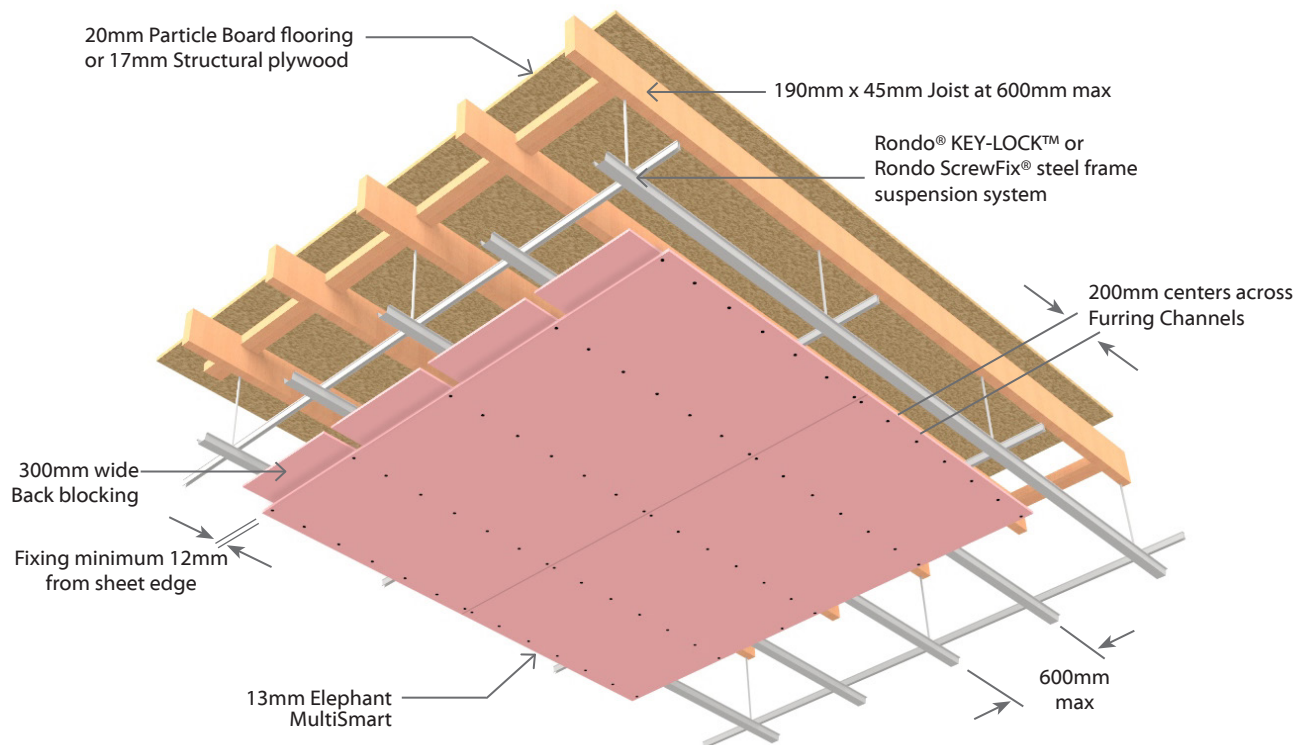
Place fasteners no closer than 18mm from sheet ends. However this can be reduced to 12mm if sheet ends occur on furring channels.

Wall/Ceiling Junction

The internal angle between the ceilings and walls must be protected by Cornice or square stopped corners, taped and filled in accordance with Elephant Plasterboard Installation Guide.

Jointing

All fastener heads stopped and all sheet joints reinforced with paper jointing tape and stopped in accordance with the publication entitled Elephant Plasterboard Installation Guide.



E1SC60

Suspended Grid Floor/Ceiling

Load Bearing

1 Layer: 1 Layer of Plasterboard to underside side of frame

System Number	Lining Suffix	Fire Rating	Load Bearing Ability	Noise Control			Lining Requirement
				STC	Rw	IIC	
E1SC60	-F16	60/60/60	LB	48	47	43	1 x 16mm Elephant FireSmart (back blocked)

Floor Framing

Timber floor joists shall comply with NZS3604 and spaced at no more than 600mm centres. Solid strutting is required in accordance with NZS 3604.

Alternatively, a proprietary I-joist system may be used subject to specific structural design and approved by the normal building consent process.

Nogs fixed on the flat to receive the ends of flooring material shall be 90mm x 45mm minimum.

Flooring

Flooring shall be 20mm thick particle board or 17mm thick structural ply, fixed to the joists as per manufacturer's instructions.

Flooring sheet joints must either be formed over framing or have a polypropylene tongue and groove jointer.

Suspension System

Rondo® KEY-LOCK™ steel frame suspension system comprising 2.5mm wire hangers at 1200mm centres supporting top cross rails (part 128) spaced at a maximum of 1200mm centres and furring channels (part 129) at 600mm centres.

OR

Rondo ScrewFix® steel frame suspension system comprising 2.5mm wire hangers at 1200mm centres supporting F38 strong back channels spaced at a maximum of 1200mm centres and F37 furring channels at 600mm centres.

OR

Alternative suspension systems with equivalent performance characteristics and layout may be used.

Suspended Grid ceiling system to be installed as per manufacturer's specification.

Plasterboard Lining

One layer of 16mm Elephant FireSmart fixed at right angles to the furring channels. All sheet butt joints must occur on the furring channel.

Joints formed by sheet edges shall be back blocked between furring channels with strips of plasterboard equivalent to the lining thickness used and with a minimum width 300mm. They shall be adhered with a cove or cornice bond adhesive.

Sheet joints shall be touch fitted.

Fixing the Lining

Fasteners

System Number	Single Layer
	Self-Tapping Drywall Screw
E1SC60-F16	16mm
	32 x 6g

Fastening Centres

Ceiling sheets shall be fixed at 200mm centres along each furring channel, around the ceiling perimeter and at 150mm centres where butt joints occur.

Place fasteners no closer than 12mm from sheet edges.

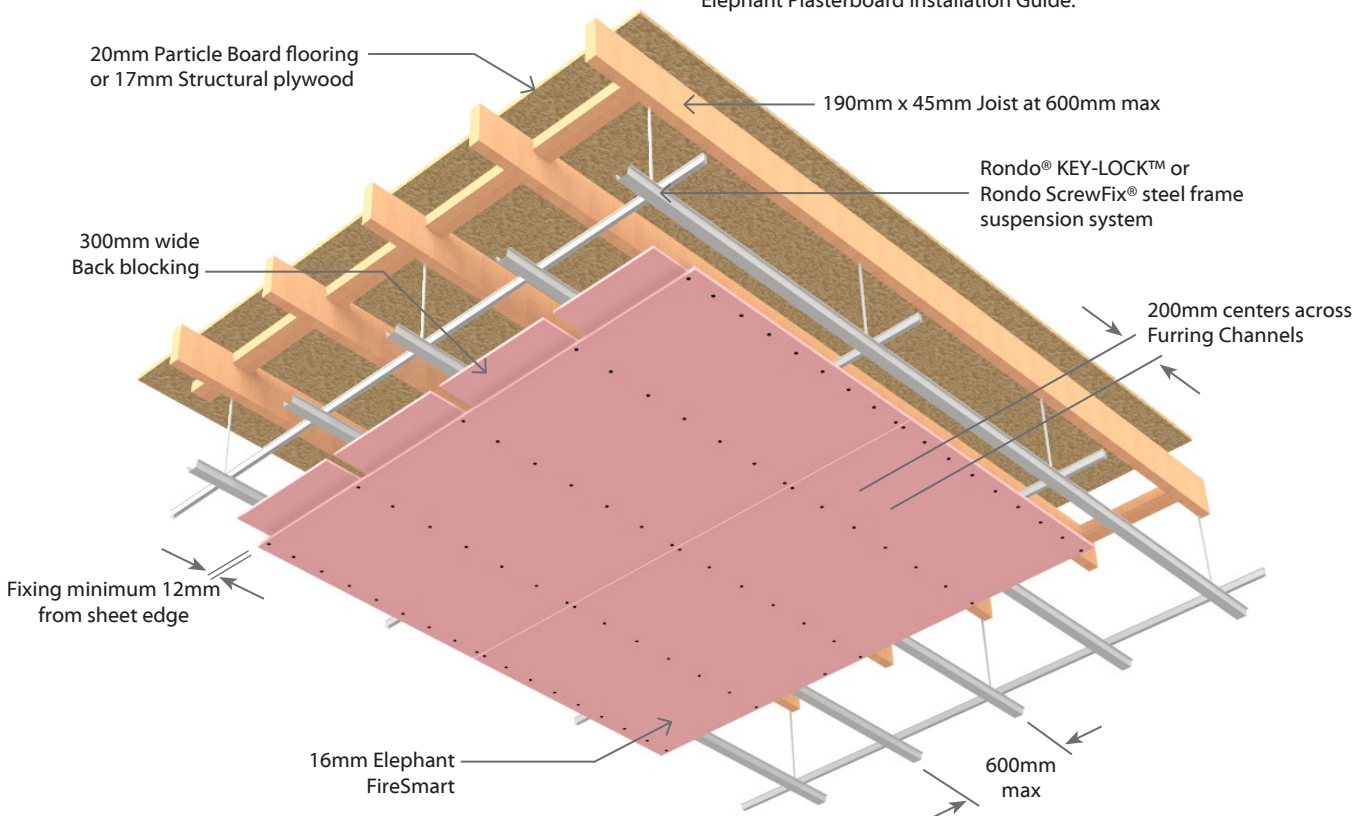
Place fasteners no closer than 18mm from sheet ends. However this can be reduced to 12mm if sheet ends occur on furring channels.

Wall/Ceiling Junction

The internal angle between the ceilings and walls must be protected by Cornice or square stopped corners, taped and filled in accordance with Elephant Plasterboard Installation Guide.

Jointing

All fastener heads stopped and all sheet joints reinforced with paper jointing tape and stopped in accordance with the publication entitled Elephant Plasterboard Installation Guide.



E1XC60

Suspended Rondo Express® Grid Ceiling System

Load Bearing

1 Layer: 1 Layer of Plasterboard to underside side of frame

System Number	Lining Suffix	Fire Rating	Load Bearing Ability	Noise Control			Lining Requirement
				STC	Rw	IIC	
E1XC60	-F16	60/60/60	LB	48	47	43	1 x 16mm Elephant FireSmart

Floor Framing

Timber floor joists shall comply with NZS3604 and spaced at no more than 600mm centres. Solid strutting is required in accordance with NZS 3604.

Alternatively, a proprietary I-joist system may be used subject to specific structural design and approved by the normal building consent process.

Nogs fixed on the flat to receive the ends of flooring material shall be 90mm x 45mm minimum.

Flooring

Flooring shall be 20mm thick particle board or 17mm thick structural ply, fixed to the joists as per manufacturer's instructions.

Flooring sheet joints must either be formed over framing or have a polypropylene tongue and groove jointer.

Minimum Cavity Depth

The system requires a minimum of 450mm cavity depth between the ceiling linings and the underside of the flooring.

Suspension System

Rondo Express® Drywall Grid ceiling system comprising 2.5mm wire hangers or Rondo XD50 wall angles at 1200mm centres maximum, supporting Rondo XD1 main tee spaced at a maximum of 1200mm centres and Rondo XD2-1200 cross tee installed at 600mm centres. Install Rondo XD2-600 cross tees at 1200mm centres, parallel to the main tee.

Rondo Express® Drywall Grid ceiling system to be installed as per manufacturer's specification.

Plasterboard Lining

One layer of 16mm Elephant FireSmart fixed parallel to the main tees. All taper edges must be located on cross tees. All sheet butt joints must occur on the suspension system.

Sheet joints shall be touch fitted.

Fixing the Lining

Fasteners

System Number	Single Layer
	Self-Tapping Drywall Screw
E1XC60-F16	16mm
	32 x 6g

Fastening Centres

Ceiling sheets shall be fixed at 150mm centres around each sheet perimeter and 200mm centres to intermediate framing. Place fasteners no closer than 12mm from sheet edges.

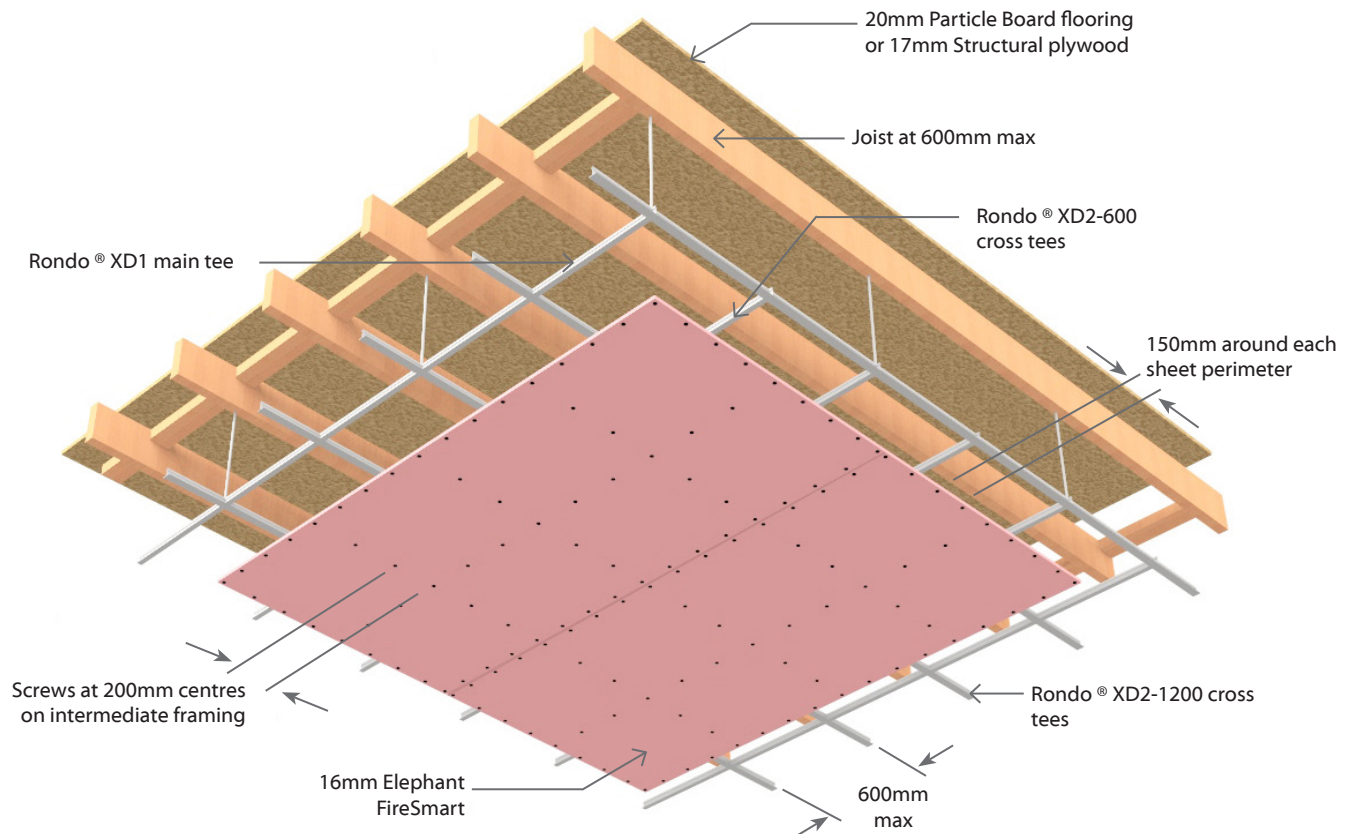
Place fasteners no closer than 18mm from sheet ends. However this can be reduced to 12mm if sheet ends occur on cross tees.

Wall/Ceiling Junction

The internal angle between the ceilings and walls must be protected by Cornice or square stopped corners, taped and filled in accordance with Elephant Plasterboard Installation Guide.

Jointing

All fastener heads stopped and all sheet joints reinforced with paper jointing tape and stopped in accordance with the publication entitled Elephant Plasterboard Installation Guide.



E2SC60

Suspended Grid Floor/Ceiling

Load Bearing

2 Layers: 2 Layers of Plasterboard to underside side of frame

System Number	Lining Suffix	Fire Rating	Load Bearing Ability	Noise Control			Lining Requirement
				STC	Rw	IIC	
E2SC60	-MS26	60/60/60	LB	48	47	42	1 x 13mm Elephant MultiSmart and 1 x 13mm Elephant Standard

Floor Framing

Timber floor joists shall comply with NZS3604 and spaced at no more than 600mm centres. Solid strutting is required in accordance with NZS 3604.

Alternatively, a proprietary I-joist system may be used subject to specific structural design and approved by the normal building consent process.

Nogs fixed on the flat to receive the ends of flooring material shall be 90mm x 45mm minimum.

Flooring

Flooring shall be 20mm thick particle board or 17mm thick structural ply, fixed to the joists as per manufacturer's instructions.

Flooring sheet joints must either be formed over framing or have a polypropylene tongue and groove jointer.

Suspension System

Rondo® KEY-LOCK™ steel frame suspension system comprising 2.5mm wire hangers at 1200mm centres supporting top cross rails (part 128) spaced at a maximum of 1200mm centres and furring channels (part 129) at 600mm centres.

OR

Rondo ScrewFix® steel frame suspension system comprising 2.5mm wire hangers at 1200mm centres supporting F38 strong back channels spaced at a maximum of 1200mm centres and F37 furring channels at 600mm centres.

OR

Alternative suspension systems with equivalent performance characteristics and layout may be used.

Suspended Grid ceiling system to be installed as per manufacturer's specification.

Plasterboard Lining

One layer of 13mm Elephant MultiSmart and One layer of 13mm Elephant Standard fixed at right angles to the furring channels. Offset the joints of the outer layer by 600mm from those of the inner layer.

All sheet butt joints must occur on the furring channel. Sheet joints shall be touch fitted.

Fixing of Linings

Fasteners

System Number	1 st Layer	2 nd Layer
	Self-Tapping Drywall Screws	
E2SC60-MS26	13mm	13mm
	25 x 6g	41 x 6g

Fastener Centres

Ceiling sheets shall be fixed at 200mm centres along each furring channel and around the ceiling perimeter. Fix at 200mm centres where butt joints occur.

Place fasteners no closer than 12mm from sheet edges.

Place fasteners no closer than 18mm from sheet ends. However this can be reduced to 12mm if sheet ends occur on furring channels.

Avoid outer layer screws from hitting inner layer screws.

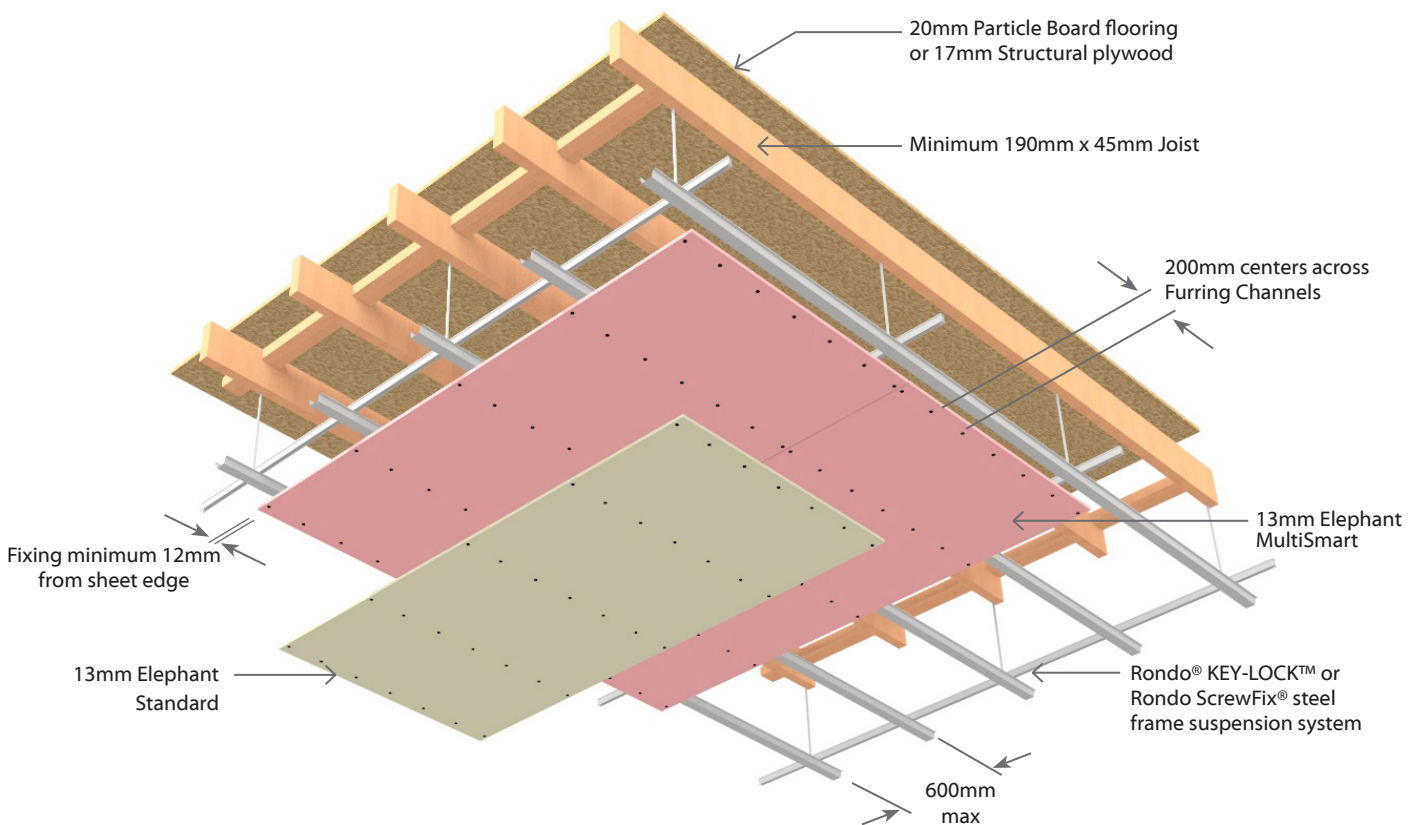
Wall/Ceiling Junction

The internal angle between the ceilings and walls must be protected by Cornice or square stopped corners, taped and filled in accordance with Elephant Plasterboard Installation Guide.

Jointing

Inner layer: Unstopped.

Outer Layer: All fastener heads stopped and all sheet joints reinforced with paper jointing tape and stopped in accordance with the publication entitled Elephant Plasterboard Installation Guide.



E2SC75

Suspended Grid Floor/Ceiling

Load Bearing

2 Layers: 2 Layers of Plasterboard to underside side of frame

System Number	Lining Suffix	Fire Rating	Load Bearing Ability	Noise Control			Lining Requirement
				STC	Rw	IIC	
E2SC75	-M26	75/75/75	LB	51	50	42	2 x 13mm Elephant MultiSmart

Floor Framing

Timber floor joists shall comply with NZS3604 and spaced at no more than 600mm centres. Solid strutting is required in accordance with NZS 3604.

Alternatively, a proprietary I-joist system may be used subject to specific structural design and approved by the normal building consent process.

Nogs fixed on the flat to receive the ends of flooring material shall be 90mm x 45mm minimum.

Flooring

Flooring shall be 20mm thick particle board or 17mm thick structural ply, fixed to the joists as per manufacturer's instructions.

Flooring sheet joints must either be formed over framing or have a polypropylene tongue and groove jointer.

Suspension System

Rondo® KEY-LOCK™ steel frame suspension system comprising 2.5mm wire hangers at 1200mm centres supporting top cross rails (part 128) spaced at a maximum of 1200mm centres and furring channels (part 129) at 600mm centres.

OR

Rondo ScrewFix® steel frame suspension system comprising 2.5mm wire hangers at 1200mm centres supporting F38 strong back channels spaced at a maximum of 1200mm centres and F37 furring channels at 600mm centres.

OR

Alternative suspension systems with equivalent performance characteristics and layout may be used.

Suspended Grid ceiling system to be installed as per manufacturer's specification.

Plasterboard Lining

Two layers of 13mm Elephant MultiSmart fixed at right angles to the furring channels. Offset the joints of the outer layer by 600mm from those of the inner layer.

All sheet butt joints must occur on the furring channel. Sheet joints shall be touch fitted.

Fixing of Linings

Fasteners

System Number	1 st Layer	2 nd Layer
		Self-Tapping Drywall Screws
E2SC75-M26	13mm	13mm
	25 x 6g	41 x 6g

Fastener Centres

Ceiling sheets shall be fixed at 200mm centres along each furring channel and around the ceiling perimeter. Fix at 200mm centres where butt joints occur.

Place fasteners no closer than 12mm from sheet edges.

Place fasteners no closer than 18mm from sheet ends. However this can be reduced to 12mm if sheet ends occur on furring channels.

Avoid outer layer screws from hitting inner layer screws.

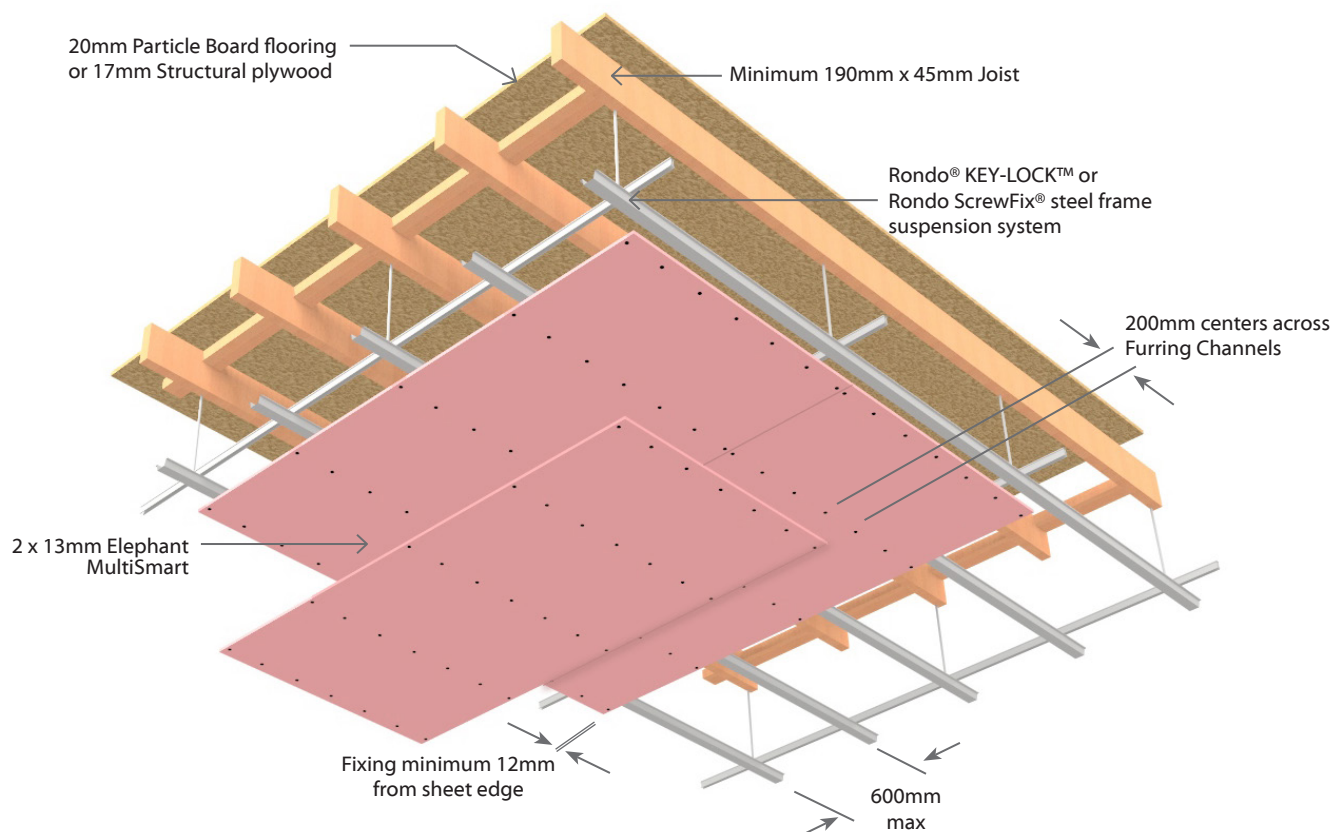
Wall/Ceiling Junction

The internal angle between the ceilings and walls must be protected by Cornice or square stopped corners, taped and filled in accordance with Elephant Plasterboard Installation Guide.

Jointing

Inner layer: Unstopped.

Outer Layer: All fastener heads stopped and all sheet joints reinforced with paper jointing tape and stopped in accordance with the publication entitled Elephant Plasterboard Installation Guide.



E2SC90

Suspended Grid Floor/Ceiling

Load Bearing

2 Layers: 2 Layers of Plasterboard to underside side of frame

System Number	Lining Suffix	Fire Rating	Load Bearing Ability	Noise Control			Lining Requirement
				STC	Rw	IIC	
E2SC90	-F32	90/90/90	LB	53	52	43	2 x 16mm Elephant FireSmart

Floor Framing

Timber floor joists shall comply with NZS3604 with a minimum depth of 190mm x 45mm and spaced at no more than 600mm centres. Solid strutting is required in accordance with NZS 3604.

Alternatively, a proprietary I-joist system may be used subject to specific structural design and approved by the normal building consent process.

Nogs fixed on the flat to receive the ends of flooring material shall be 90mm x 45mm minimum.

Flooring

Flooring shall be 20mm thick particle board or 17mm thick structural ply, fixed to the joists as per manufacturer's instructions.

Flooring sheet joints must either be formed over framing or have a polypropylene tongue and groove jointer.

Suspension System

Rondo® KEY-LOCK™ steel frame suspension system comprising 2.5mm wire hangers at 1200mm centres supporting top cross rails (part 128) spaced at a max of 1200mm centres and furring channels (part 129) at 600mm centres.

OR

Rondo ScrewFix® steel frame suspension system comprising 2.5mm wire hangers at 1200mm centres supporting F38 strong back channels spaced at a maximum of 1200mm centres and F37 furring channels at 600mm centres.

OR

Alternative suspension systems with equivalent performance characteristics and layout may be used.

Suspended Grid ceiling system to be installed as per manufacturer's specification.

Plasterboard Lining

Two layers of 16mm Elephant FireSmart fixed at right angles to the furring channels. Offset the joints of the outer layer by 600mm from those of the inner layer.

All sheet butt joints must occur on the furring channel. Sheet joints shall be touch fitted.

Fixing of Linings

Fasteners

System Number	1 st Layer	2 nd Layer
		Self-Tapping Drywall Screws
E2SC90-F32	16mm	16mm
	32 x 6g	41 x 6g

Fastener Centres

Ceiling sheets shall be fixed at 200mm centres along each furring channel and around the ceiling perimeter. Fix at 150mm centres where butt joints occur.

Place fasteners no closer than 12mm from sheet edges.

Place fasteners no closer than 18mm from sheet ends. However this can be reduced to 12mm if sheet ends occur on furring channels.

Avoid outer layer screws from hitting inner layer screws.

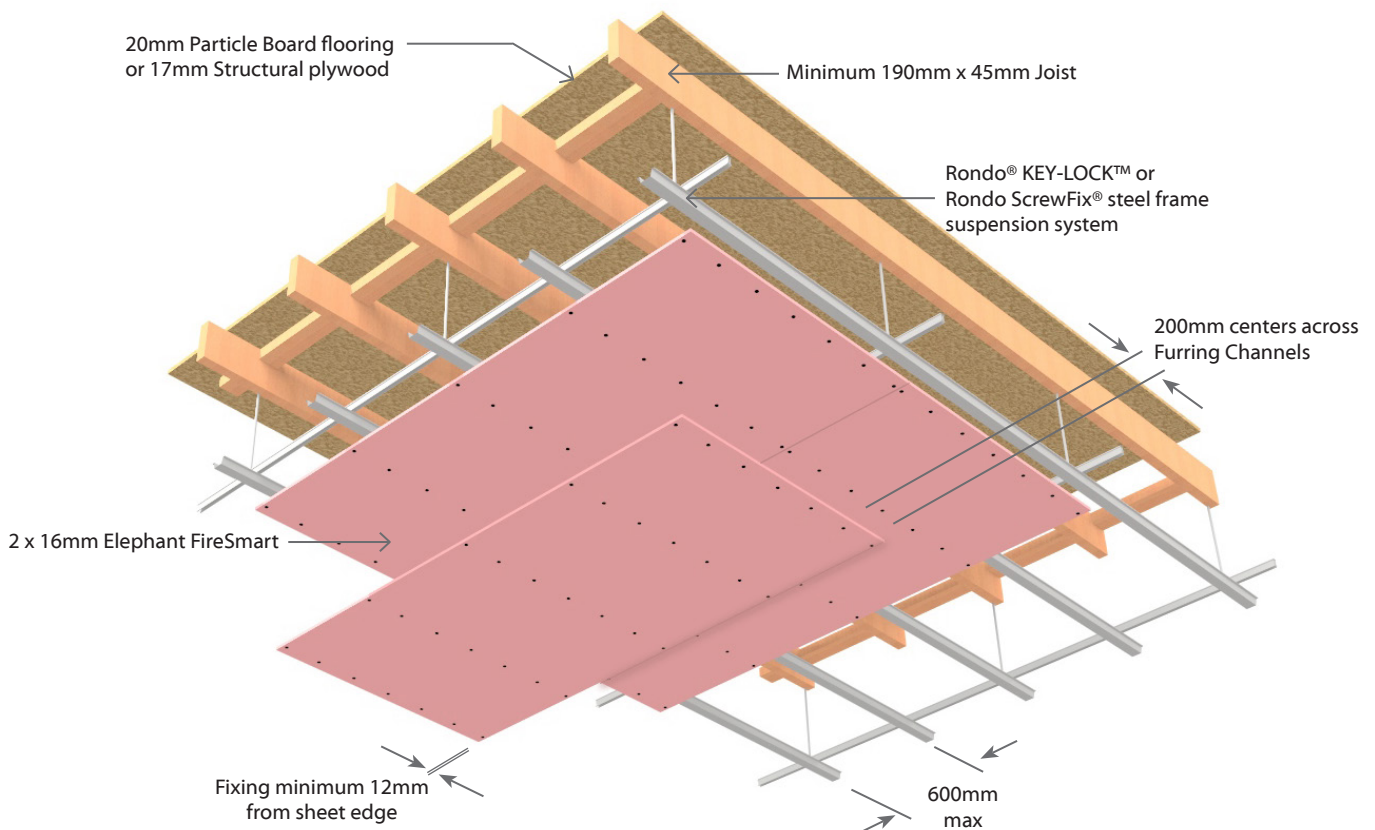
Wall/Ceiling Junction

The internal angle between the ceilings and walls must be protected by Cornice or square stopped corners, taped and filled in accordance with Elephant Plasterboard Installation Guide.

Jointing

Inner layer: Unstopped.

Outer Layer: All fastener heads stopped and all sheet joints reinforced with paper jointing tape and stopped in accordance with the publication entitled Elephant Plasterboard Installation Guide.



E2XC90

Suspended Rondo Express® Grid Ceiling System

Load Bearing

2 Layers: 2 Layers of Plasterboard to underside side of frame

System Number	Lining Suffix	Fire Rating	Load Bearing Ability	Noise Control			Lining Requirement
				STC	Rw	IIC	
E2XC90	-FM29	90/90/90	LB	48	47	43	1 x 16mm Elephant FireSmart and 1 x 13mm Elephant MultiSmart

Floor Framing

Timber floor joists shall comply with NZS3604 and spaced at no more than 600mm centres. Solid strutting is required in accordance with NZS 3604.

Alternatively, a proprietary I-joist system may be used subject to specific structural design and approved by the normal building consent process.

Nogs fixed on the flat to receive the ends of flooring material shall be 90mm x 45mm minimum.

Flooring

Flooring shall be 20mm thick particle board or 17mm thick structural ply, fixed to the joists as per manufacturer's instructions.

Flooring sheet joints must either be formed over framing or have a polypropylene tongue and groove jointer.

Minimum Cavity Depth

The system requires a minimum of 450mm cavity depth between the ceiling linings and the underside of the flooring.

Suspension System

Rondo Express® Drywall Grid ceiling system comprising 2.5mm wire hangers or Rondo XD50 wall angles at 1200mm centres maximum, supporting Rondo XD1 main tee spaced at a maximum of 1200mm centres and Rondo XD2-1200 cross tee installed at 600mm centres. Install Rondo XD2-600 cross tees at 1200mm centres, parallel to the main tee.

Rondo Express® Drywall Grid ceiling system to be installed as per manufacturer's specification.

Plasterboard Lining

One layer of 16mm Elephant FireSmart and One layer of 13mm Elephant MultiSmart fixed at right angles to the furring channels.

The inner layer to be fixed parallel to the main tees with taper edges located on main tees.

The outer layer to be fixed parallel to the main tees and offset by 600mm from those of the inner layer in both direction.

All sheet butt joints must occur on the cross tees.

They shall be adhered with a cove or cornice bond adhesive.

Sheet joints shall be touch fitted.

Fixing the Lining

Fasteners

System Number	1 st Layer	2 nd Layer
		Self-Tapping Drywall Screws
E2XC90-FM29	16mm	13mm
	32 x 6g	41 x 6g

Fastening Centres

Ceiling sheets shall be fixed at 150mm centres around each sheet perimeter and 200mm centres to intermediate framing.

Place fasteners no closer than 12mm from sheet edges.

Place fasteners no closer than 18mm from sheet ends. However this can be reduced to 12mm if sheet ends occur on cross tees.

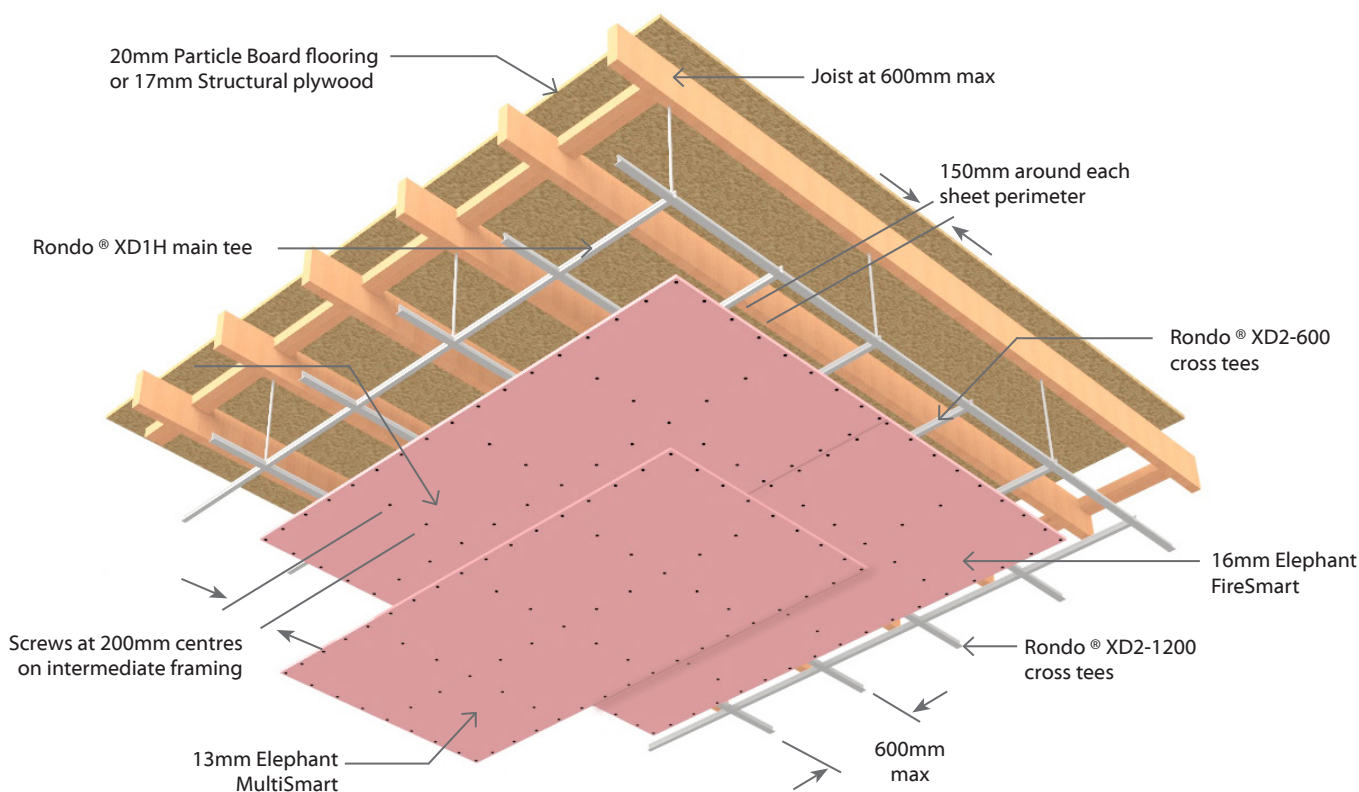
Wall/Ceiling Junction

The internal angle between the ceilings and walls must be protected by Cornice or square stopped corners, taped and filled in accordance with Elephant Plasterboard Installation Guide.

Jointing

Inner layer: Unstopped.

Outer Layer: All fastener heads stopped and all sheet joints reinforced with paper jointing tape and stopped in accordance with the publication entitled Elephant Plasterboard Installation Guide.



Fire Rated Universal Ceilings



E1UC15

Universal Ceiling - Timber or Steel Frame

Load Bearing

One Way FRR

1 Layer: 1 Layer of Plasterboard to underside side of frame

System Number	Lining Suffix	Fire Rating	Load Bearing Ability	Noise Control		Lining Requirement
				STC	IIC	
E1UC15	-M13	15/15/15	LB	N/A	N/A	1 x 13mm Elephant MultiSmart

Floor Framing

Timber or steel roof or floor/ceiling framing designed to meet structural criteria for strength and serviceability under dead and live loads.

The separation between the ceiling lining and any flooring or roofing material shall be 90mm minimum. Linings to be supported by framing members spaced at no more than 600mm centres and with a minimum width of 35mm.

Solid nogs shall be provided at 1200mm centres maximum (to provide solid noggings for the sheet edges) and to the perimeter of the ceiling. For timber construction, the nogs shall be 75mm x 40mm minimum.

Plasterboard Lining

One layer of 13mm Elephant MultiSmart fixed at right angles directly to the underside of the framing above.

All tapered edged and sheet end butt joints must form on solid framing.

Alternatively the tapered edges can be back blocked using 300mm wide strips of 13mm Elephant MultiSmart. Use Cornice adhesive to adhere the back blocking pieces as per the Elephant Installation Guide. Sheets to be touch fitted.

Fixing of Linings

Fasteners

System Number	Timber Frame	Steel Frame
	High Thread Drywall Screws	Self-Tapping Drywall Screws
E1UC15-M13	13mm	13mm
	41 x 6g	25 x 6g

Fastener Centres

Ceiling sheets shall be screw fixed at 200mm centres around the perimeter of the ceiling, along each framing member and where sheet end butt joints occur.

Place fasteners no closer than 12mm from sheet edges.

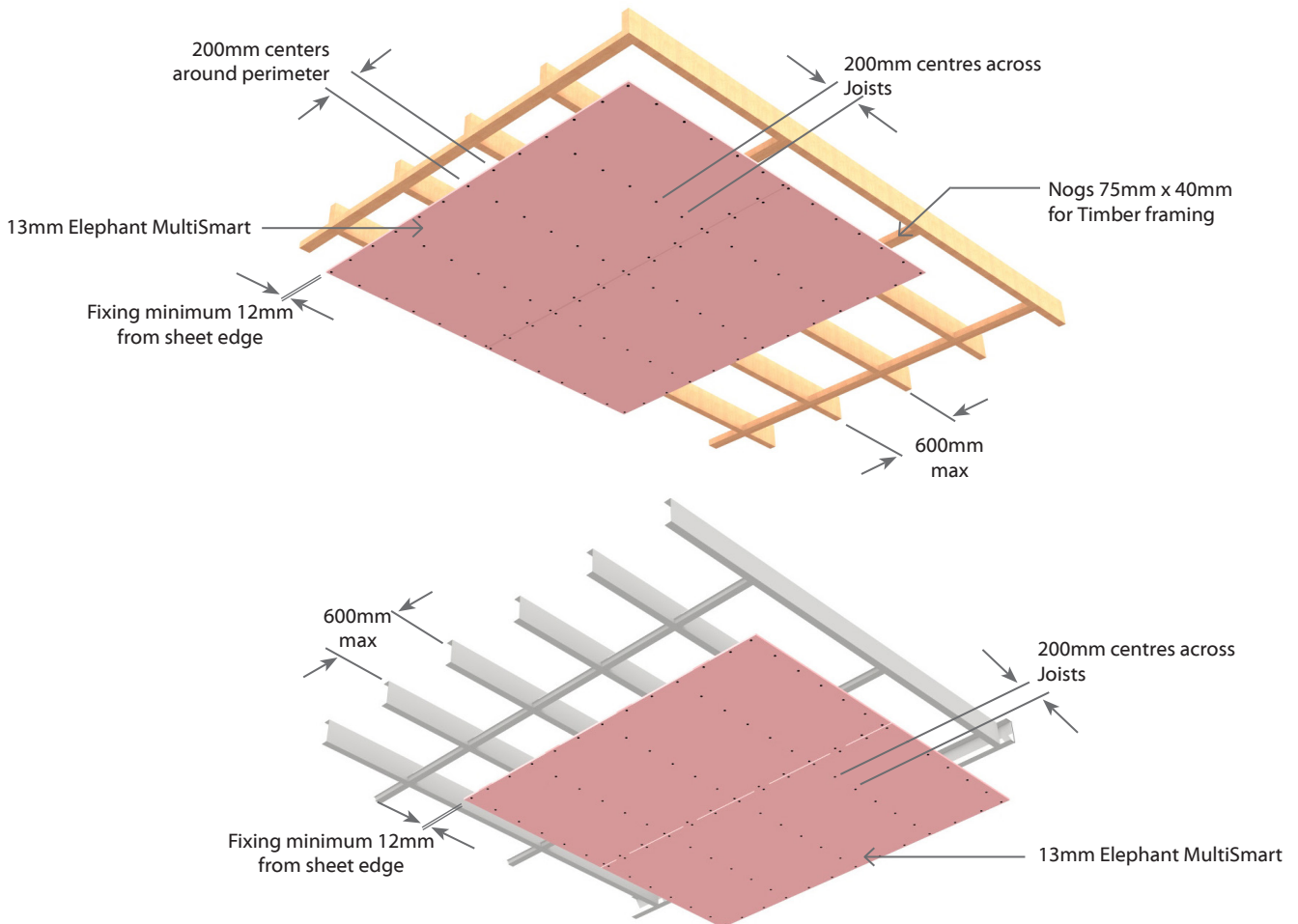
Place fasteners no closer than 18mm from sheet ends. However this can be reduced to 12mm if sheet ends occur on furring channels or metal ceiling battens.

Wall/Ceiling Junction

The internal angle between the ceilings and walls must be protected by Cornice, adhered with cornice adhesive or square stopped corners taped and filled in accordance with Elephant Plasterboard Installation Guide.

Jointing

All fastener heads stopped and all sheet joints reinforced with paper jointing tape and stopped in accordance with the publication entitled Elephant Plasterboard Installation Guide.



E1UC30

Universal Ceiling - Timber or Steel Frame

Load Bearing

One Way FRR

1 Layer: 1 Layer of Plasterboard to underside side of frame

System Number	Lining Suffix	Fire Rating	Load Bearing Ability	Noise Control		Lining Requirement	Flooring or Roofing Material
				STC	IIC		
E1UC30	-F16a	30/30/30**	LB	N/A	N/A	1 x 16mm Elephant FireSmart	NO Polymeric foam

** N.B. System E1UC30-F16a achieves the stated fire rating with flooring or roofing materials that do not incorporate polymeric foam

Floor Framing

Timber or steel roof or floor/ceiling framing designed to meet structural criteria for strength and serviceability under dead and live loads.

The separation between the ceiling lining and any flooring or roofing material shall be 90mm minimum. Linings to be supported by framing members spaced at no more than 600mm centres and with a minimum width of 35mm.

Solid nogs shall be provided at 1200mm centres maximum (to provide solid noggng for the sheet edges) and to the perimeter of the ceiling. For timber construction, the nogs shall be 75mm x 40mm minimum.

Plasterboard Lining

One layer of 16mm Elephant FireSmart fixed at right angles directly to the underside of the framing above.

All tapered edged and sheet end butt joints must form on solid framing.

Alternatively the tapered edges can be back blocked using 300mm wide strips of 16mm Elephant FireSmart. Use Cornice adhesive to adhere the back blocking pieces as per the Elephant Installation Guide. Sheets to be touch fitted.

Fixing of Linings Fasteners

System Number	Timber Frame	Steel Frame
		High Thread Drywall Screws
E1UC30-F16a	16mm	16mm
	41 x 6g	32 x 6g

Fastener Centres

Ceiling sheets shall be screw fixed at 200mm centres around the perimeter of the ceiling, along each framing member and where sheet end butt joints occur.

Place fasteners no closer than 12mm from sheet edges.

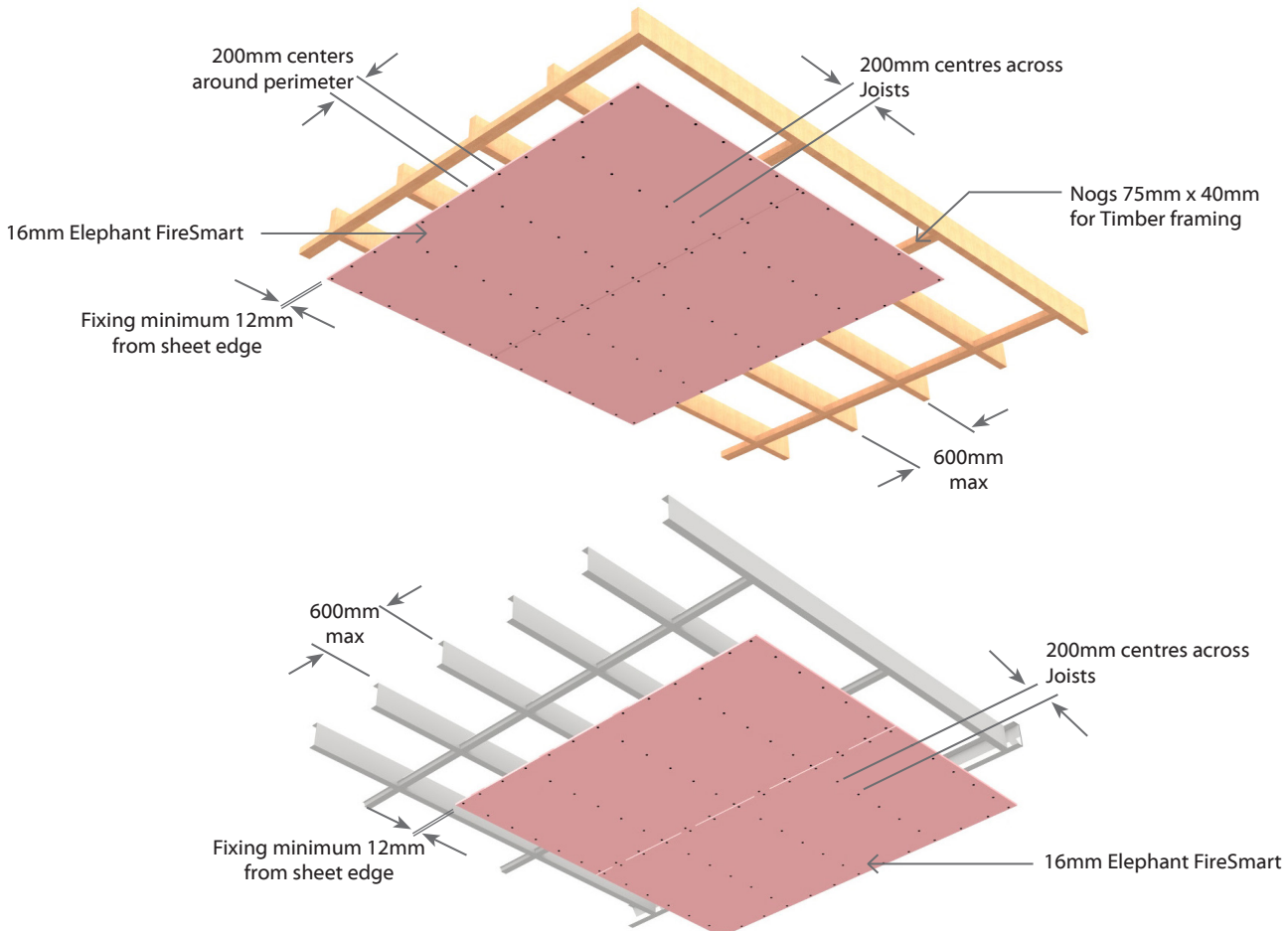
Place fasteners no closer than 18mm from sheet ends. However this can be reduced to 12mm if sheet ends occur on furring channels or metal ceiling battens.

Wall/Ceiling Junction

The internal angle between the ceilings and walls must be protected by Cornice, adhered with Cornice adhesive or square stopped corners taped and filled in accordance with Elephant Plasterboard Installation Guide.

Jointing

All fastener heads stopped and all sheet joints reinforced with paper jointing tape and stopped in accordance with the publication entitled Elephant Plasterboard Installation Guide.



E2UC60

Universal Ceiling - Timber or Steel Frame

Load Bearing

One Way FRR

2 Layers: 2 Layers of Plasterboard to underside side of frame

System Number	Lining Suffix	Fire Rating	Load Bearing Ability	Noise Control		Lining Requirement	Flooring or Roofing Material
				STC	IIC		
E2UC60	-M26a	60/60/60**	LB	N/A	N/A	2 x 13mm Elephant MultiSmart	NO Polymeric foam
	-FM29	60/60/60	LB	N/A	N/A	1 x 16mm Elephant FireSmart and 1 x 13mm Elephant MultiSmart	Any Material

** N.B. System E2UC60-M26a achieves the stated fire rating with flooring or roofing materials that do not incorporate polymeric foam

Floor Framing

Timber or steel roof or floor/ceiling framing designed to meet structural criteria for strength and serviceability under dead and live loads.

The separation between the ceiling lining and any flooring or roofing material shall be 90mm minimum. Linings to be supported by framing members spaced at no more than 600mm centres and with a minimum width of 35mm.

Solid nogs shall be provided at the perimeter of the ceiling.

For timber construction, the nogs shall be 75mm x 40mm minimum.

Plasterboard Lining

Two layers of Elephant Plasterboard as per specified system above fixed at right angles directly to the underside of the framing above.

All sheet end butt joints must form on solid framing.

The joints of the second layer should be offset 600mm from those of the first layer.

Sheets to be touch fitted.

Fixing of Linings

Fasteners

System Number	Timber Frame		Steel Frame	
	1 st Layer	2 nd Layer	1 st Layer	2 nd Layer
	High Thread Drywall Screws		Self-Tapping Drywall Screws	
E2UC60-M26a	13mm	13mm	13mm	13mm
	41 x 6g	51 x 7g	25 x 6g	41 x 6g
E2UC60-FM29 (opt-1)	16mm	13mm	16mm	13mm
	41 x 6g	51 x 7g	32 x 6g	41 x 6g
E2UC60-MF29 (opt-2)	13mm	16mm	13mm	16mm
	41 x 6g	51 x 7g	25 x 6g	41 x 6g

Fastener Centres

For both layers, Ceiling sheets shall be screw fixed at 200mm centres around the perimeter of the ceiling, along each framing member and where sheet end butt joints occur.

Place fasteners no closer than 12mm from sheet edges.

Place fasteners no closer than 18mm from sheet ends. However this can be reduced to 12mm if sheet ends occur on furring channels or metal ceiling battens. Avoid outer layer screws from hitting inner layer screws.

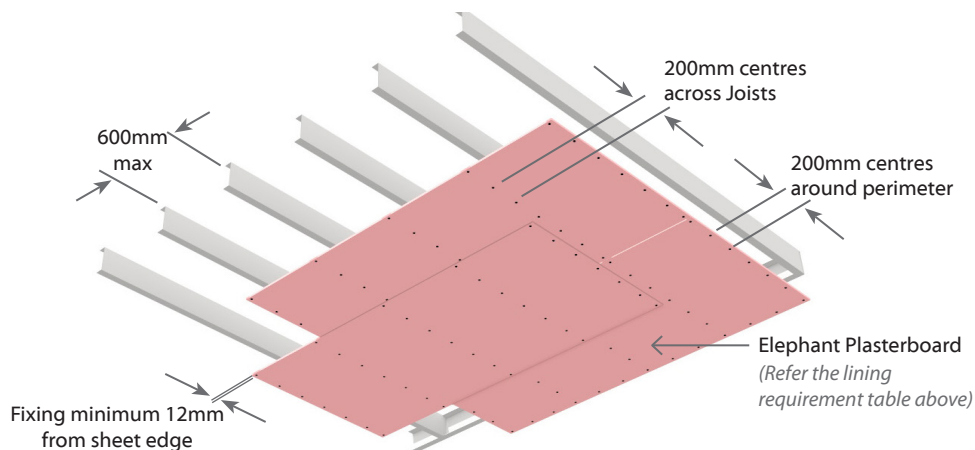
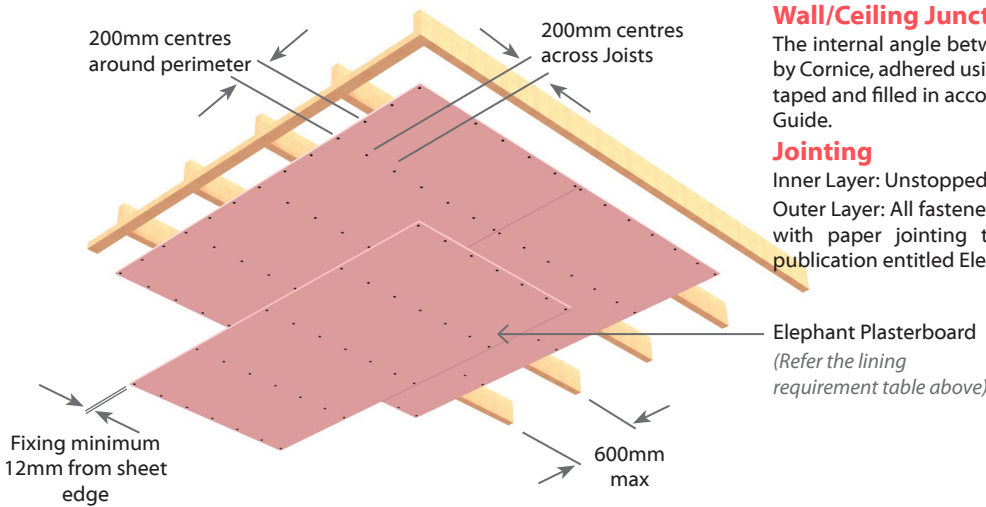
Wall/Ceiling Junction

The internal angle between the ceilings and walls must be protected by Cornice, adhered using cornice adhesive or square stopped corners taped and filled in accordance with Elephant Plasterboard Installation Guide.

Jointing

Inner Layer: Unstopped.

Outer Layer: All fastener heads stopped and all sheet joints reinforced with paper jointing tape and stopped in accordance with the publication entitled Elephant Plasterboard Installation Guide.



E3UC90

Universal Ceiling - Timber or Steel Frame

Load Bearing

One Way FRR

3 Layers: 3 Layers of Plasterboard to underside side of frame

System Number	Lining Suffix	Fire Rating	Load Bearing Ability	Noise Control		Lining Requirement	Flooring or Roofing Material
				STC	IIC		
E3UC90	-M39a	90/90/90**	LB	N/A	N/A	3 x 13mm Elephant MultiSmart	NO Polymeric foam
	-FM42	90/90/90	LB	N/A	N/A	1 x 16mm Elephant FireSmart and 2 x 13mm Elephant MultiSmart	Any Material

** N.B. System E3UC90-M39a achieves the stated fire rating with flooring or roofing materials that do not incorporate polymeric foam

Floor Framing

Timber or steel roof or floor/ceiling framing designed to meet structural criteria for strength and serviceability under dead and live loads.

The separation between the ceiling lining and any flooring or roofing material shall be 90mm minimum. Linings to be supported by framing members spaced at no more than 600mm centres and with a minimum width of 35mm.

Solid nogs shall be provided at the perimeter of the ceiling.

For timber construction, the nogs shall be 75mm x 40mm minimum.

Plasterboard Lining

Three layers of Elephant Plasterboard as per specified system above fixed at right angles directly to the underside of the framing above.

All sheet end butt joints must form on solid framing.

The joints of the each consecutive layer should be offset minimum of 300mm from those of the previous layer.

Sheets to be touch fitted.

Fixing of Linings

Fasteners

System Number	Timber Frame			Steel Frame		
	1 st Layer	2 nd Layer	3rd Layer	1 st Layer	2 nd Layer	3rd Layer
	High Thread Drywall Screws			Self-Tapping Drywall Screws		
E3UC90-M39a	13mm	13mm	13mm	13mm	13mm	13mm
	41 x 6g	51 x 7g	63 x 8g	25 x6g	41 x 6g	51 x 7g
E3UC90-FM42	16mm	13mm	13mm	16mm	13mm	13mm
	41 x 6g	51 x 7g	63 x 8g	32 x6g	41 x 6g	63 x 8g

Fastener Centres

For all layers, ceiling sheets shall be screw fixed at 150mm centres around ceiling perimeter, and at each sheet end butt joint. Fix at 200mm centres along each framing member.

Fasteners to be placed no closer than 12mm from sheet edge.

Place fasteners no closer than 18mm from sheet ends. However this can be reduced to 12mm if sheet ends occur on furring channels or metal ceiling battens.

Avoid outer layer screws from hitting inner layer screws.

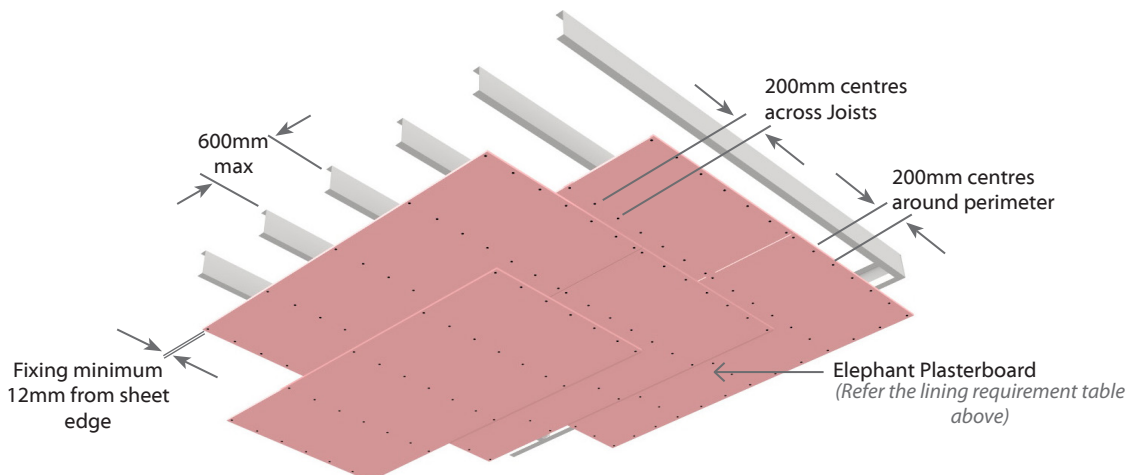
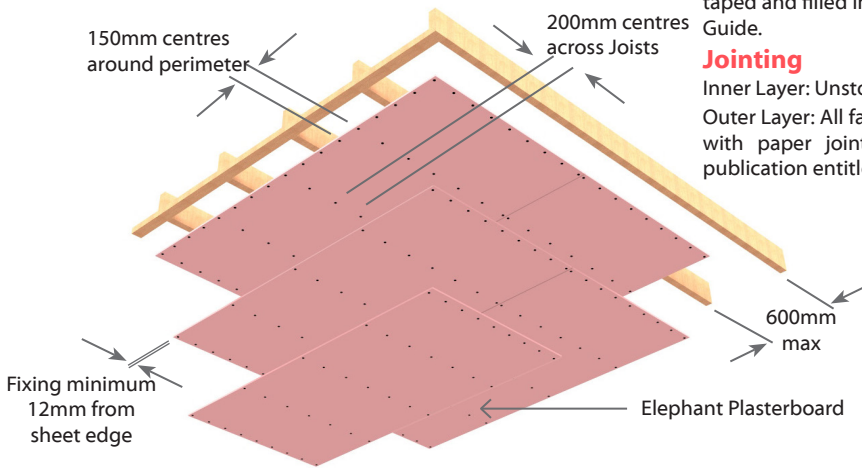
Wall/Ceiling Junction

The internal angle between the ceilings and walls must be protected by Cornice, adhered using cornice adhesive or square stopped corners taped and filled in accordance with Elephant Plasterboard Installation Guide.

Jointing

Inner Layer: Unstopped.

Outer Layer: All fastener heads stopped and all sheet joints reinforced with paper jointing tape and stopped in accordance with the publication entitled Elephant Plasterboard Installation Guide.





Fire Rated Speciality Systems

Elephant Shaft Panels using any selected Elephant Fire or Noise Control System

Elephant Shaft Panel systems outlined in this manual are when construction can only be done from one side. Ideal for lift and service shaft enclosures.

Any conventional steel or timber framing Elephant Plasterboard System within this manual or Elephant Noise Control Manual can be referred to in terms of lining and FRR. For installation and fixing details, look at the selected Elephant system's technical specification

Framing Construction

Construct the framing by friction fitting steel or timber studs into the top and bottom steel channels. Cut the studs minimum 15mm less than the full height between the top and bottom channel to allow an expansion gap. The channels are not continuous.

Packers

Place strips of plasterboard packers on each side of the end studs and at the head of the panel. The packer thickness on the head of the panel depends on the floor deflection required.

Shaft Side Lining

Elephant Plasterboard as per the specified system to be screw fixed to the framing on the shaft side of the panel. Fixing to bottom channels is optional. Do not fix to top channels.

Panel Installation Procedure

Erecting the panel

Move and fix the panels into positions by screwing the top channel into to the above structure and the bottom channel to the floor. Allow for the required deflection gap and make sure the plasterboard lining overlaps by 6mm above the head packers.

Construct the next panels in the similar way, move them into position and secure them in place and against the previous panel by screwing through the end stud plasterboard packers.

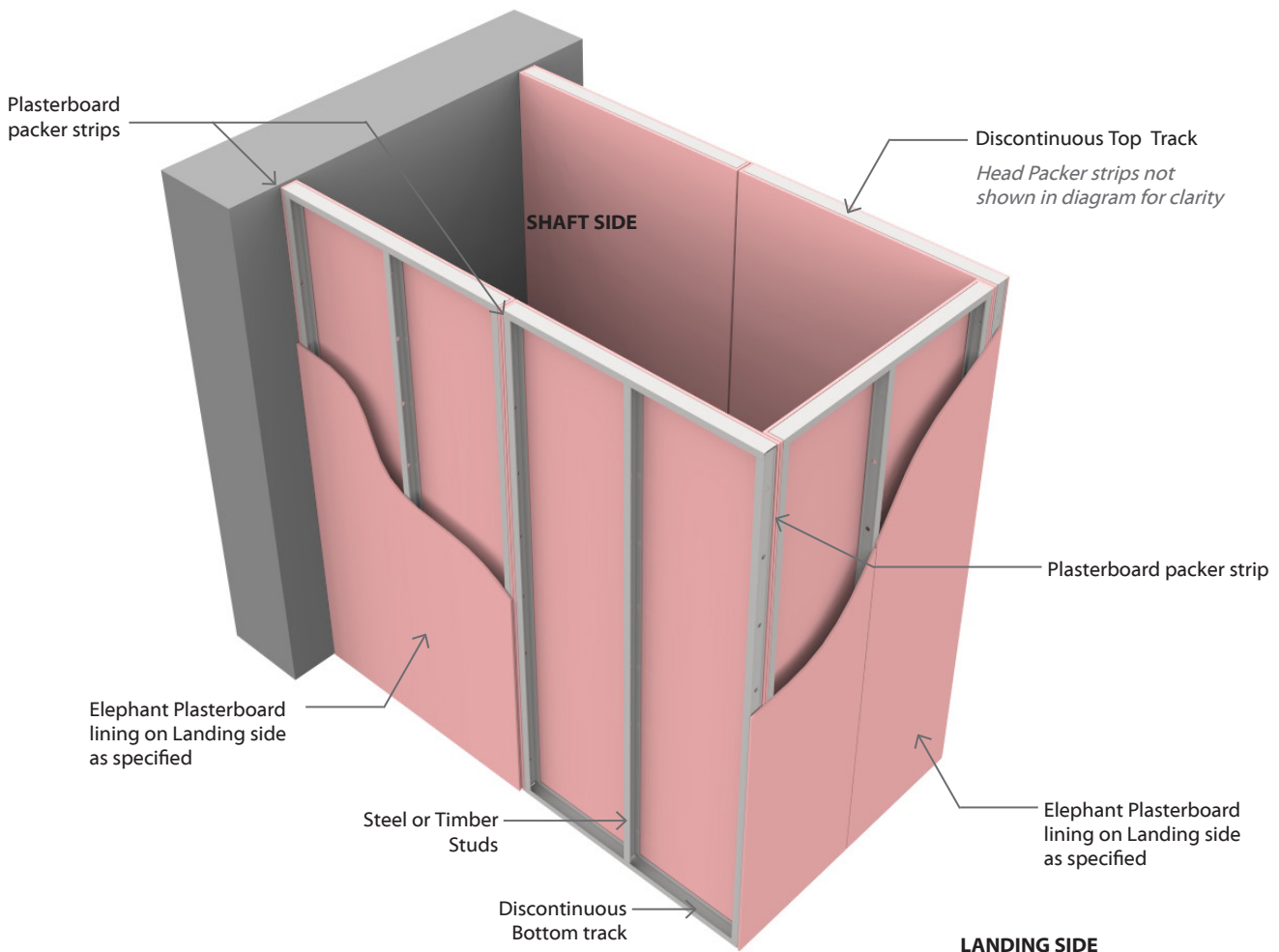
Once all panels have been installed, and the shaft is enclosed, fill any minor gaps with Flexible Fire rated sealant of the same FRR as required before lining the landing side.

When connecting to structural steel, install the channels before fireproofing spray application.

Landing Side Lining

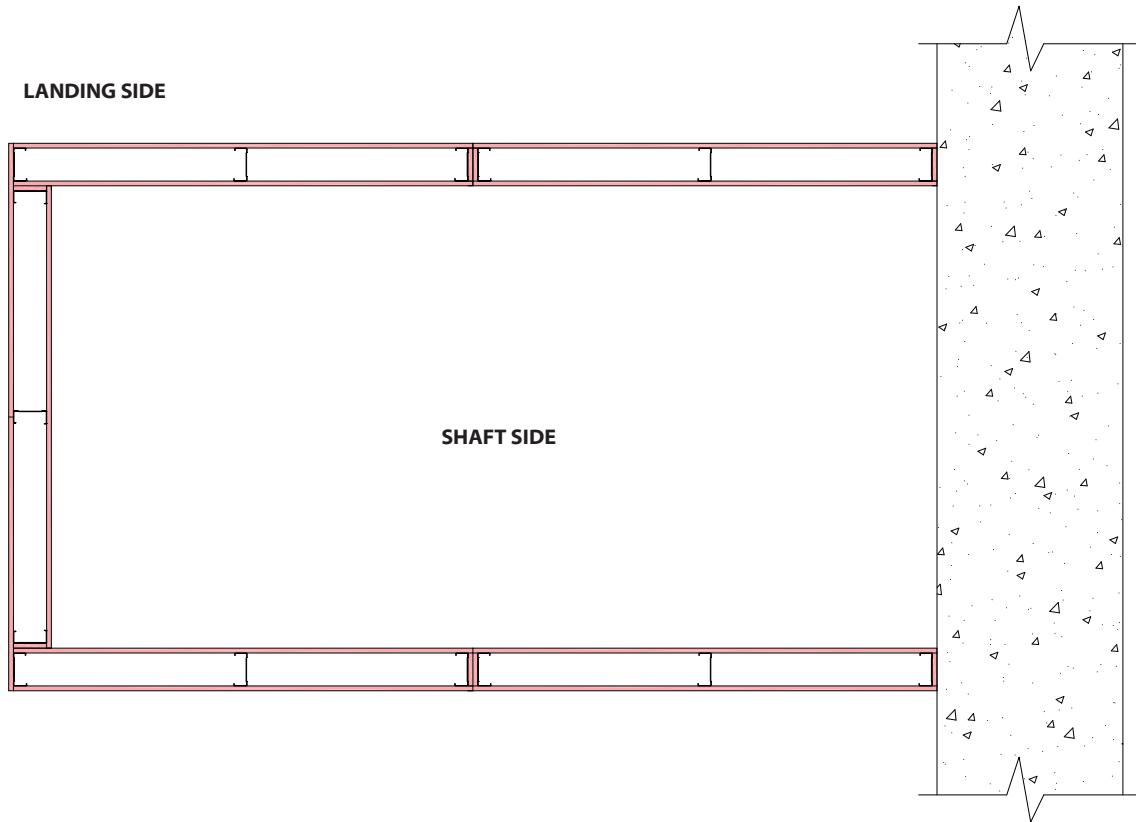
Fix Elephant Plasterboard as per the specified system vertically to each stud and hard to the floor. Use full height sheets where possible. Staggered joints are required for systems with more than one layer of plasterboard. The top gaps are to be filled with Flexible Fire rated sealant of the same FRR as required. All sheets shall be formed over framing and sheet end butt joints must be formed over nogs.

For detailed instructions on fixings, refer to the relevant technical page of the chosen Elephant Plasterboard system.



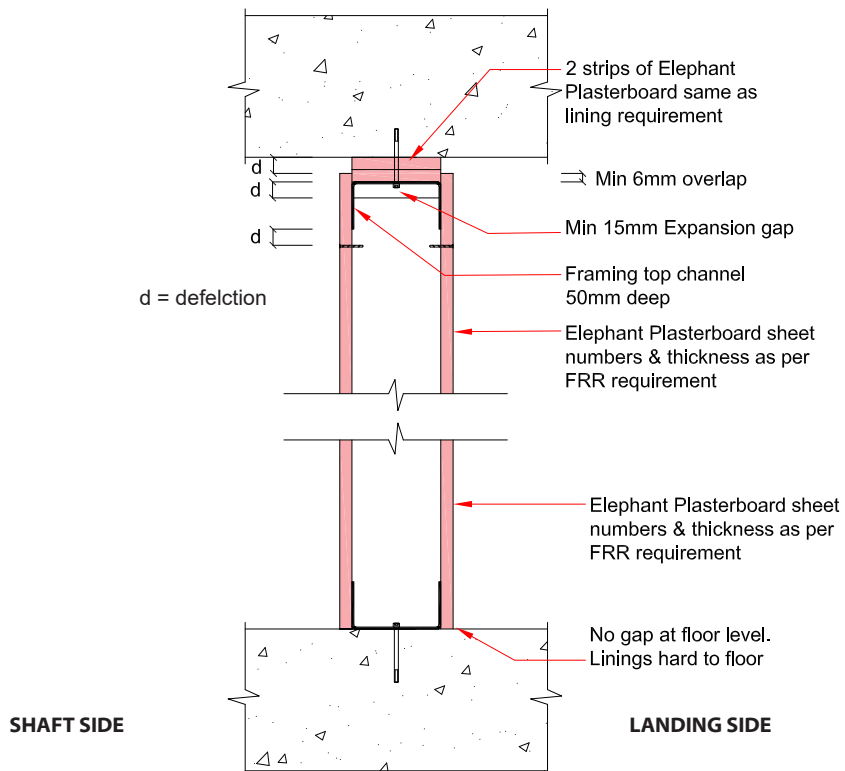
Elephant Shaft Panels using any selected Elephant Fire or Noise Control System

PLAN



EFS-317

SECTION



EFS-318



E1SWS, E2SWS

Shaftwall - Fire Rated from Shaft side

One Way FRR

E1SWE, E2SWE, E3SWE

Shaftwall - Fire Rated from Either side

Two Way FRR

1, 2 or 3 Layers: No. of Layers of Plasterboard to one side of frame (Fire side)

System Number	Lining Suffix	Fire Rating	Fire Rated Side	Noise Control				Landing Side Lining Requirement
				STC				
				64mm stud		102mm stud		
				No fill	Fill	No fill	Fill	
E1SWS60	-M13	-/60/60	Shaft Side	39	45	42	46	1 x 13mm Elephant MultiSmart
E2SWS90	-M26	-/90/90		43	49	46	50	2 x 13mm Elephant MultiSmart
E2SWS120	-FM29	-/120/120		44	50	46	51	1 x 16mm Elephant FireSmart and 1 x 13mm Elephant MultiSmart
E1SWE30	-M13	-/30/30	Either Side	39	45	42	46	1 x 13mm Elephant MultiSmart
E2SWE60	-M26	-/60/60		43	49	46	50	2 x 13mm Elephant MultiSmart
E2SWE90	-FM29	-/90/90		44	50	46	51	1 x 16mm Elephant FireSmart and 1 x 13mm Elephant MultiSmart
E3SWE120	-FM42	-/120/120		46	51	48	52	1 x 16mm Elephant FireSmart and 2 x 13mm Elephant MultiSmart

Elephant Shaftwall systems outlined in this manual are when construction can only be done from one side. Ideal for lift and service shaft enclosures. All Elephant Shaftwall systems are non-load bearing.

Framing

Elephant Shaftwall systems utilises Rondo® E-Stud, CH-Stud and J-Track. Fix the Rondo® J-Tracks as the top and bottom channels. The vertical framing begins with the E-Stud, followed by CH-Studs and ends with the J-Stud. See construction sequence over page.

When connecting to structural steel, install the framing before fireproofing spray application.

Wall heights

Maximum Stud heights				
System Number	Stud Size	BMT	Pressure	
			0.25 kPa	0.35 kPa
E1SWE30-M13 E1SWS60-M13	64	0.55	2950	2640
		0.90	3460	3090
E2SWE60-M26 E2SWS90-M26 E2SWE90-FM29 E2SWS120-FM29 E3SWE120-FM42	64	0.55	3730	2660
		0.90	4380	3890
	102	0.55	4250	3080
		0.90	5510	4190

Framing & Lining Installation Procedure

Top and Bottom Tracks

Mechanically fix the Rondo® J-Track as the top and bottom channels at 600mm centres max and 100mm max from each end. Position the J-Track with short leg facing towards the landing side of the wall. When connecting to structural steel, install the Rondo® J-Track before fireproofing spray application.

End Studs

Cut the Rondo® E-Studs 15mm less than the full height between the top and bottom J-Track to allow an expansion gap. Fix the Rondo® E-Stud at 600mm centres max to the structure. Fix a Rondo® J-Stud on the opposite end of the wall using the same procedure, positioning the short leg of the J-Track towards the landing side and long leg towards the shaft side. When connecting to structural steel, install the Rondo® E-Stud and Rondo® J-Stud before fireproofing spray application.

Elephant Plasterboard Linings-Shaft Side

Two layers of 13mm Elephant MultiSmart on the shaft side.

Cut the 13mm Elephant MultiSmart lengthwise in half, leaving two 600mm wide panels and place them between the Rondo® E-Stud and Rondo® CH-Stud on the side closest to the shaft. Position the cut lining back to back with tapered edge at each side. Fix the panels hard to the floor leaving a 15mm expansion gap at the top of the frame. Fill this gap and other gaps with Flexible Fire rated sealant of the same FRR as required before lining the landing side. Use full height sheets where possible. Where sheet end butt joints are unavoidable they should be tight fitted and staggered by 300mm.

CH-Studs

Cut the Rondo® CH-Studs 15mm less than the full height between the top and bottom J-Track to allow an expansion gap. Friction fit the Rondo® CH-Studs vertically into the J-Track at 600mm centres max with the C profile of the CH-Stud facing towards the landing side and H profile towards the shaft side. Position the stud such that the shaft side panels slip into the H profile of the CH-Stud. This process is repeated further until the final gap is 600mm or less.

End Lining Panel - Fixing & Fastening

Cut the final lining panel to such a size that it fits into the already installed J-Stud. To fit the final end panel into the bottom J-Track, cut the flange of the J-Track and bend it down to fit the panel in and then return it back to vertical. Screw fix these panels to the long leg side of the Rondo® J-Stud using 41mm x 6g Self Tapping Drywall screws at 300mm centres. Fill the 15mm gap between the boards and the top J-Track and the gap between the J-Stud and the board with Flexible Fire rated sealant of the same FRR as required before lining the landing side.

Landing Side Lining

Fix Elephant plasterboard as per specified system vertically to each stud at 300mm centres and hard to the floor. Use full height sheets where possible. Do not fix the sheets to the top and bottom Rondo® J-Tracks. Staggered joints are required for systems with more than one layer of plasterboard. The top gaps are to be filled with Flexible Fire rated sealant of the same FRR as required. All sheets shall be formed over framing and sheet end butt joints must be formed over nogs.



E1SWS, E2SWS	Shaftwall - Fire Rated from Shaft side	One Way FRR
---------------------	---	-------------

E1SWE, E2SWE, E3SWE	Shaftwall - Fire Rated from Either side	Two Way FRR
----------------------------	--	-------------

Fixing of Landing side Linings

Fasteners (As per Specified System Above)

System Number	1 st Layer	2 nd Layer	3 rd Layer
	Self-Tapping Drywall Screws		
E1SWS60-M13	13mm	—	—
E1SWE30-M13	32 x 6g	—	—
E2SWS90-M26	13mm	13mm	—
E2SWE60-M26	32 x 6g	41 x 6g	—
E2SWS120-FM29	16mm	13mm	—
E2SWE90-FM29	32 x 6g	41 x 6g	—
E3SWE120-FM42	16mm	13mm	13mm
	32 x 6g	41 x 6g	63 x 8g

Fastener centres

For both layers, sheets shall be screw fixed at 300mm centres along each framing member. Fasteners to be placed no closer than 12mm from sheet edge.

Jointing

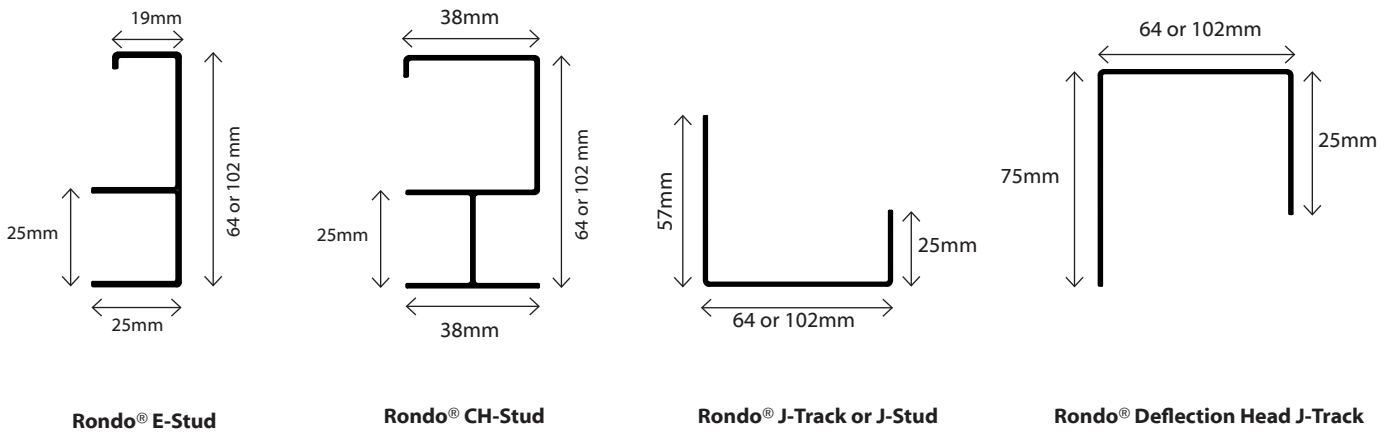
Shaft side: Unstopped

Landing Side

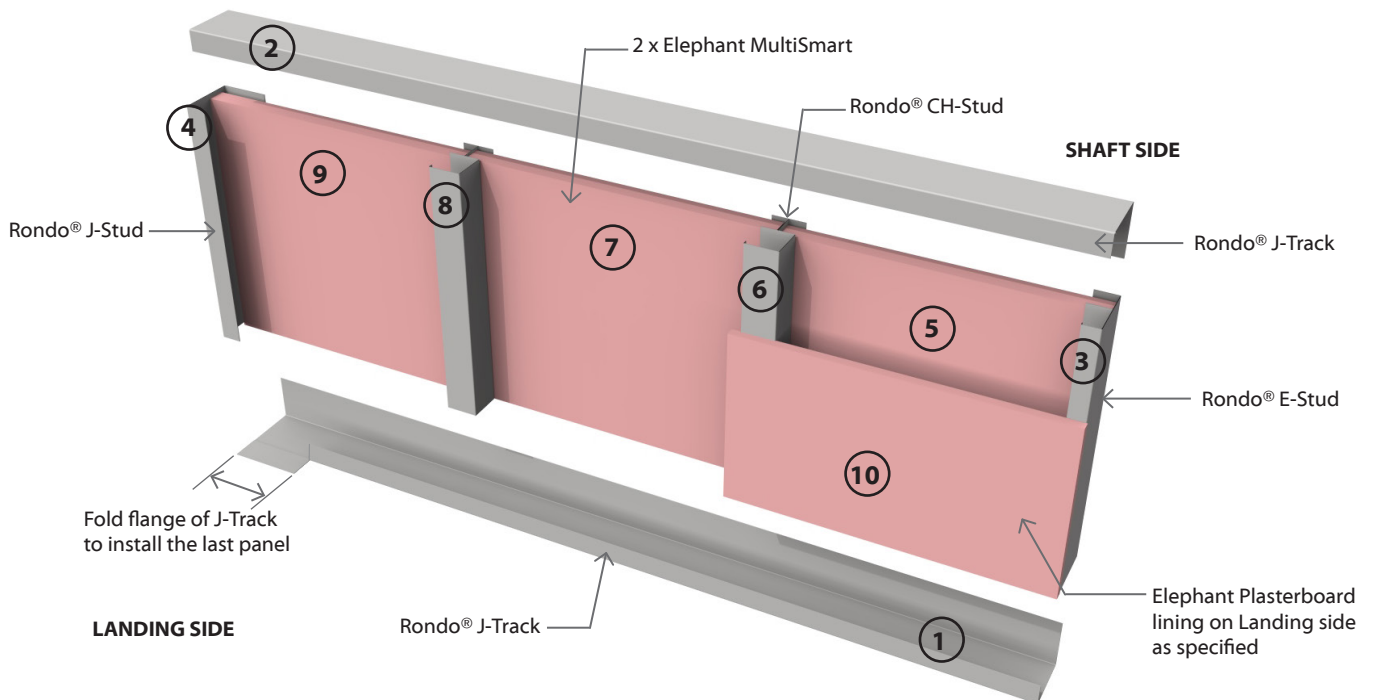
Inner Layer: Unstopped.

Single or Outer Layer: All fastener heads stopped and all sheet joints reinforced with paper jointing tape and stopped in accordance with the publication entitled Elephant Plasterboard Installation Guide.

Shaftwall Framing Components



Construction Sequence



1, 2 or 3 Layers: No. of Layers of Plasterboard to one side of frame (Fire side)

System Number	Lining Suffix	Fire Rating	Load Bearing Ability	Noise Control		Lining Requirement
				STC	Rw	
E1CBT15	-S13	15/-/-	LB	N/A	N/A	1 x 13mm Elephant Standard
E1CBT30	-F16	30/-/-	LB	N/A	N/A	1 x 16mm Elephant FireSmart
E2CBT30	-F20	30/-/-	LB	N/A	N/A	2 x 10mm Elephant FireSmart
E2CBT60	-M26	60/-/-	LB	N/A	N/A	2 x 13mm Elephant MultiSmart
E2CBT90	-F32	90/-/-	LB	N/A	N/A	2 x 16mm Elephant FireSmart
E3CBT120	-MF45	120/-/-	LB	N/A	N/A	1 x 13mm Elephant MultiSmart and 2 x 16mm Elephant FireSmart

Scope

The system options provided in the table above are a quick reference solution for fire protection of structural steel columns and beams. Specific Fire engineering designs are required for specific column and beam sizes and loading conditions.

Strapping

The Columns or Beams are to be strapped with a nominal 50mm x 50mm timber. The linings must be supported by framing members spaced at 600mm centres maximum. No air gap is required as long as support is provided to the protective linings at 600mm centres max on each side of the structural member.

Plasterboard Lining (Fire Side)

One, two or three layers of Elephant Plasterboard lining as per specified system above. All joints /edges for the first, second and third layers must be formed over the framing. The joints between subsequent layers must be offset by at least 300mm.

Fixing of Linings

Fasteners (As per Specified System Above)

System Number	Lining Suffix	Single Layer	2 nd Layer	3 rd Layer
		High Thread Drywall Screws		Self-Tapping
E1CBT15-S13	S13	13mm	—	—
		41 x 6g		
E1CBT30-F16	F16	16mm	—	—
		41 x 6g		
E2CBT30-F20	F20	10mm	10mm	—
		32 x 6g	41 x 6g	
E2CBT60-M26	M26	13mm	13mm	—
		41 x 6g	51 x 7g	
E2CBT90-F32	F32	16mm	16mm	—
		41 x 6g	57 x 7g	
E3CBT120-MF45	MF45	13mm	16mm	16mm
		41 x 6g	51 x 7g	63 x 8g

Fastener Centres

Fix each layer at 300mm centres maximum to framing. Place fasteners minimum 12mm from the sheet edge.

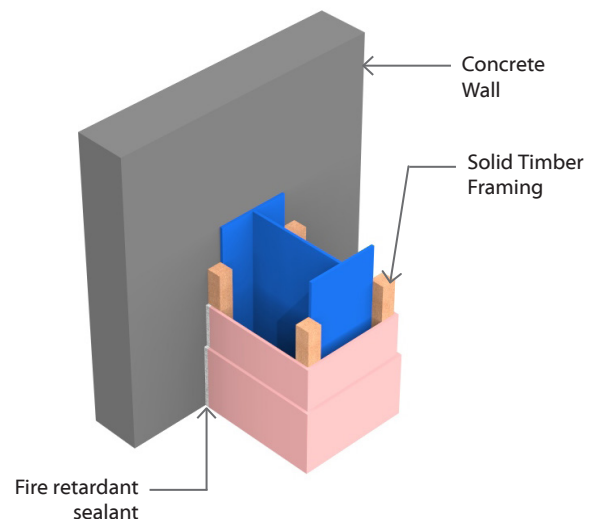
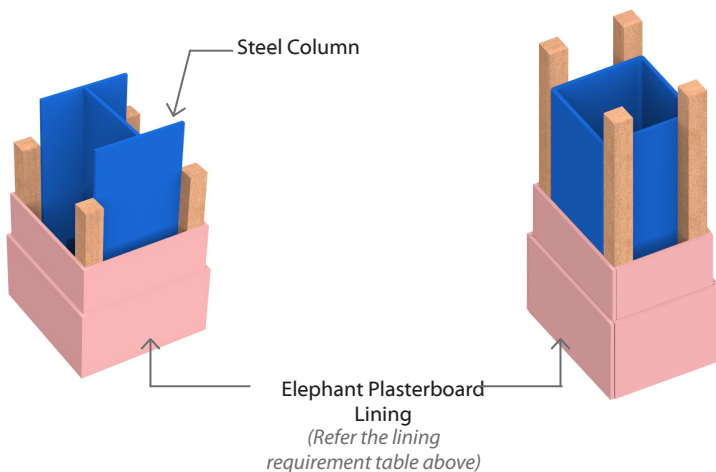
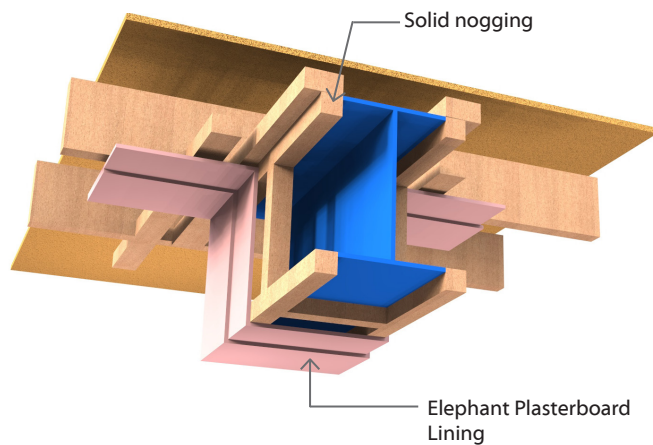
Corner Protection

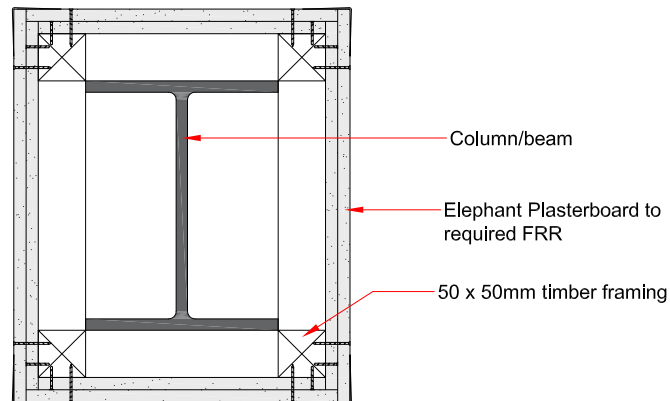
If required, external corners to be reinforced with external corner beads.

Jointing

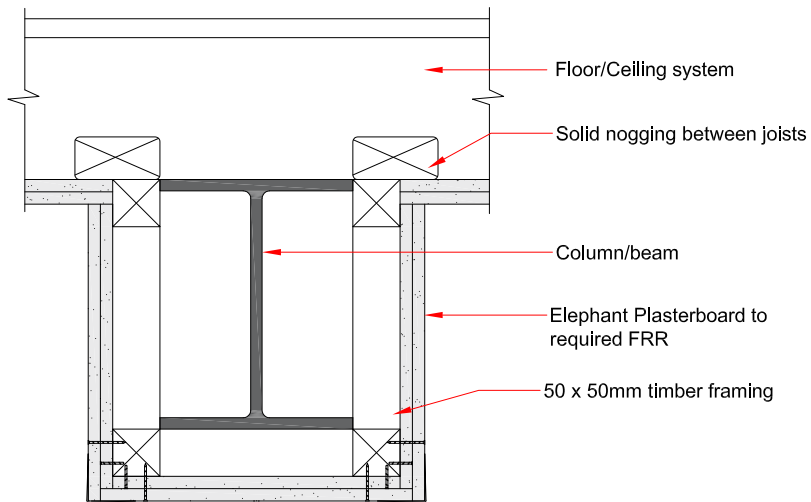
Inner Layer: Unstopped

Outer Layer: All fastener heads stopped and all sheet joints reinforced with paper jointing tape and stopped. All in accordance with Elephant Plasterboard Installation Guide.

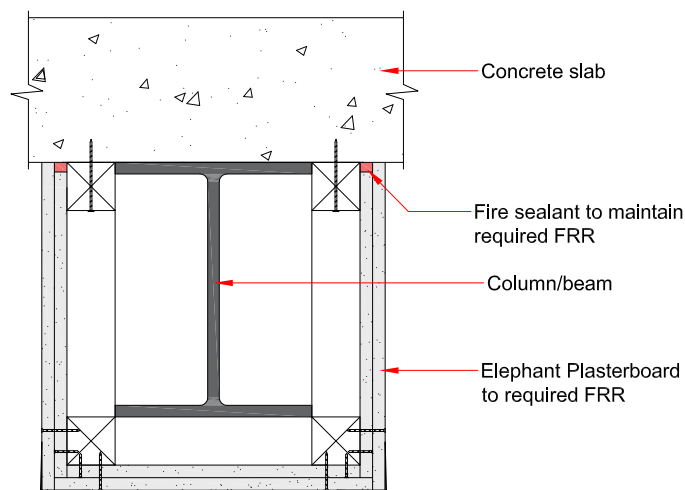




EFS-314



EFS-313



EFS-316



E1CBS, E2CBS, E3CBS

Steel Column & Beam - Steel Clip and Channel

One Way FRR

1, 2 or 3 Layers: No. of Layers of Plasterboard to one side of frame (Fire side)

System Number	Lining Suffix	Fire Rating	Load Bearing Ability	Noise Control		Lining Requirement
				STC	Rw	
E1CBS15	-S13	15/-/-	LB	N/A	N/A	1 x 13mm Elephant Standard
E1CBS30	-F16	30/-/-	LB	N/A	N/A	1 x 16mm Elephant FireSmart
E2CBS30	-F20	30/-/-	LB	N/A	N/A	2 x 10mm Elephant FireSmart
E2CBS60	-M26	60/-/-	LB	N/A	N/A	2 x 13mm Elephant MultiSmart
E2CBS90	-F32	90/-/-	LB	N/A	N/A	2 x 16mm Elephant FireSmart
E3CBS120	-MF45	120/-/-	LB	N/A	N/A	1 x 13mm Elephant MultiSmart and 2 x 16mm Elephant FireSmart

Scope

The system options provided in the table above are a quick reference solution for fire protection of structural steel columns and beams. Specific Fire engineering designs are required for specific column and beam sizes and loading conditions.

Steel Clip and Channel

Attach the Rondo® Beam or Encasement Clip to column or beams at 600mm centres max. Then insert the Rondo® Furring Channel Track (Part 140) into the clips.

Framing members spaced at 600mm centres max to support the linings.

For columns or beams that are exposed on 3 sides use the Rondo® Perimeter Angle (Part NZ18) to allow for the fixing of the plasterboard. The perimeter angle is to be fixed to the wall or underside of floor at maximum 600mm centres with first fixing no more than 100mm from the ends.

Plasterboard Lining (Fire Side)

One, two or three layers of Elephant Plasterboard lining as per specified system above. All joints /edges for the first, second and third layers must be formed over the framing. The joints between subsequent layers must be offset by at least 300mm.

Fixing of Linings

Fasteners

System Number	Lining Suffix	Single Layer	2 nd Layer	3 rd Layer
		Self-Tapping Drywall Screws		
E1CBS15-S13	S13	13mm		—
		25 x 6g		
E1CBS30-F16	F16	16mm		—
		32 x 6g		
E2CBS30-F20	F20	10mm	10mm	—
		25 x 6g	32 x 6g	
E2CBS60-M26	M26	13mm	13mm	—
		25 x 6g	41 x 6g	
E2CBS90-F32	F32	16mm	16mm	—
		32 x 6g	51 x 7g	
E3CBS120-MF45	MF45	13mm	16mm	16mm
		25 x 6g	41 x 6g	63 x 8g

Fastener Centres

Fix each layer at 300mm centres maximum to framing.

Place fasteners minimum 12mm from the sheet edge.

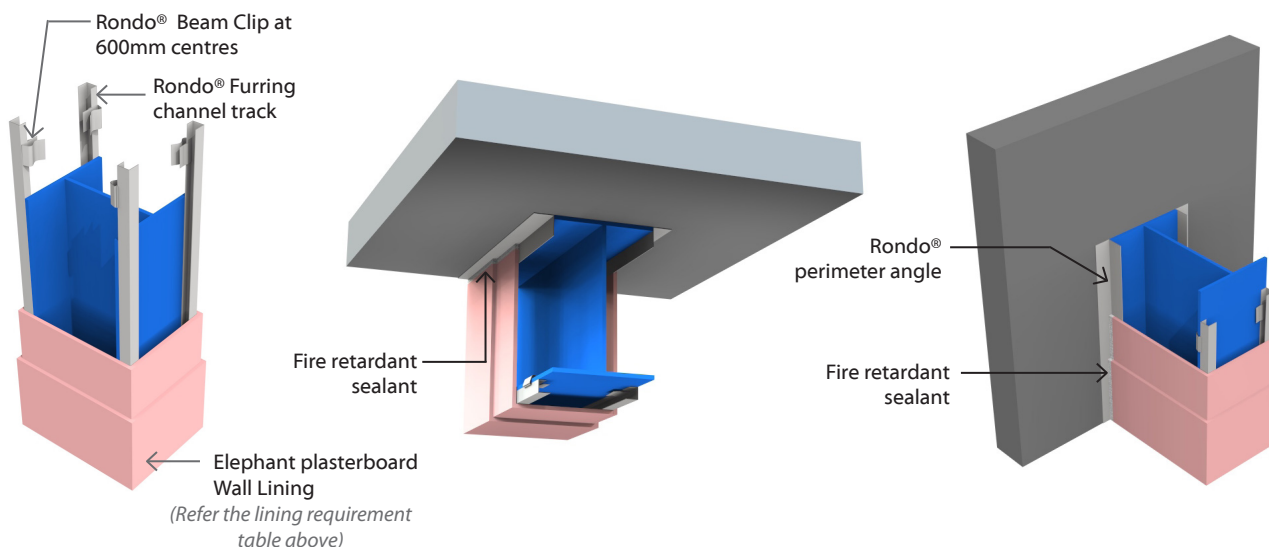
Corner Protection

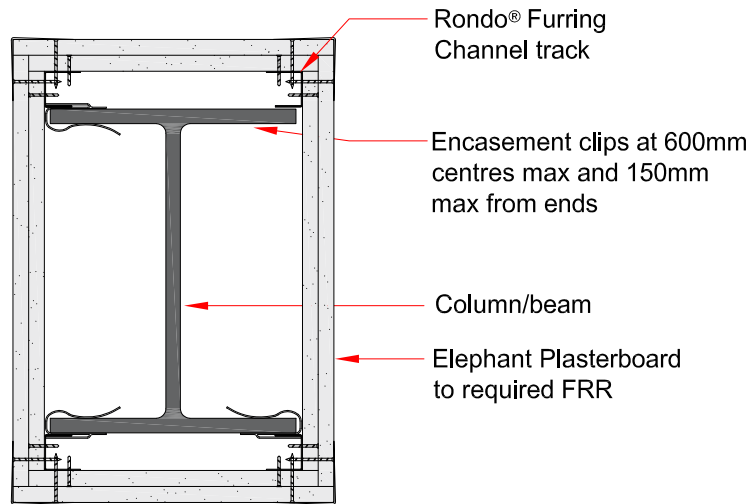
If required, external corners to be reinforced with external corner beads.

Jointing

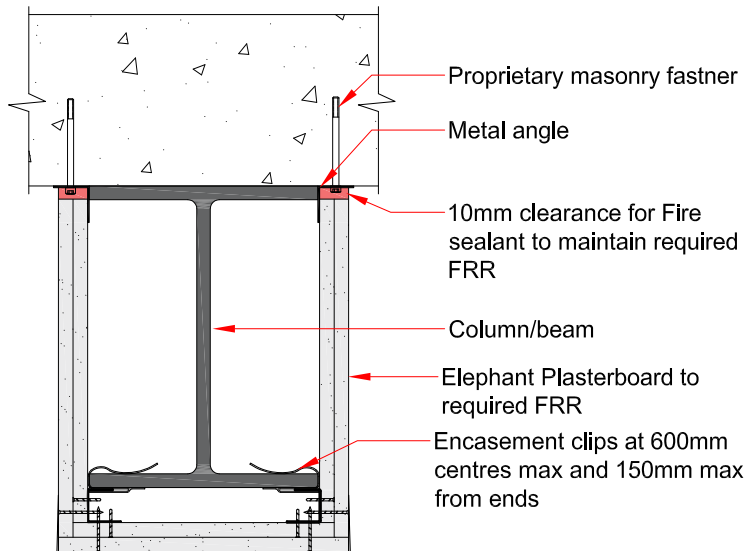
Inner Layers: Unstopped

Outer Layer: All fastener heads stopped and all sheet joints reinforced with paper jointing tape and stopped. All in accordance with Elephant Plasterboard Installation Guide.

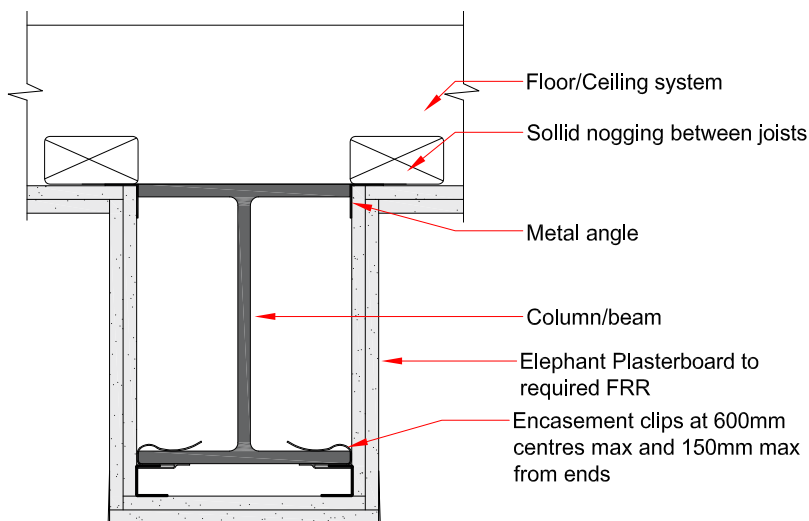




EFS-311



EFS-312



EFS-313



Construction Details



Penetrations

Penetrations in Fire Rated Walls is a potential hazard of flame and smoke spreading from one fire cell to other in building occupancies. Ensuring the right penetration seals will help in maintaining the FRR of the Fire system and thereby maintaining the health and security of the occupants.

Generic Penetration Details

This section contains the general principle of penetrations and the most common installation details of one-sided penetrations on Elephant Plasterboard Fire Rated systems.

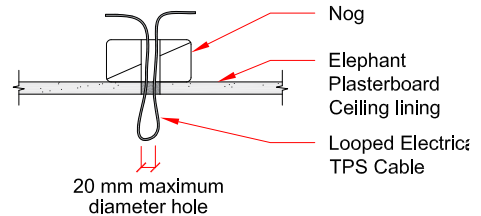
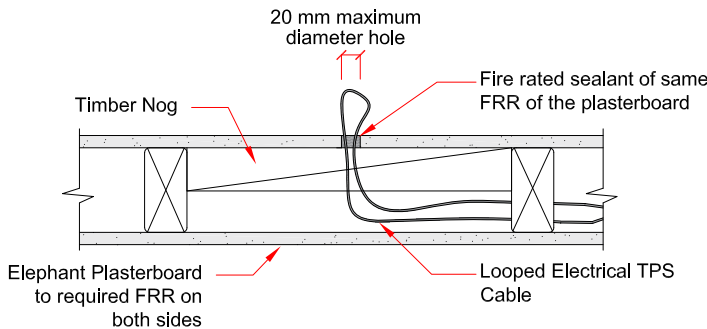
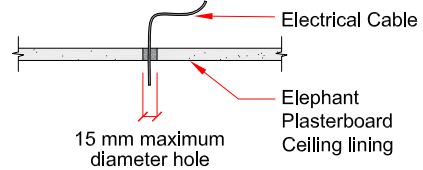
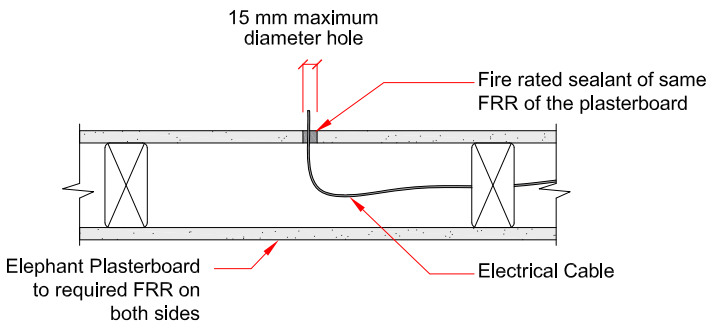
Proprietary Penetration Seals

Fire rated penetration details using proprietary penetrations seals and products (such as GPO's with intumescent pads, fire collars, dampers etc) must be installed in accordance with requirements from particular product manufacturers, and are not shown in this manual. Installation instructions and product performance specifications must be verified with the relevant penetration seal manufacturer. It is the responsibility of the component manufacturer to ensure that the fire rating performance of the system is not affected.

EFS-168 Cable Penetration for Surface Mounted Electrical Fixtures

Plan View

Ceiling Section



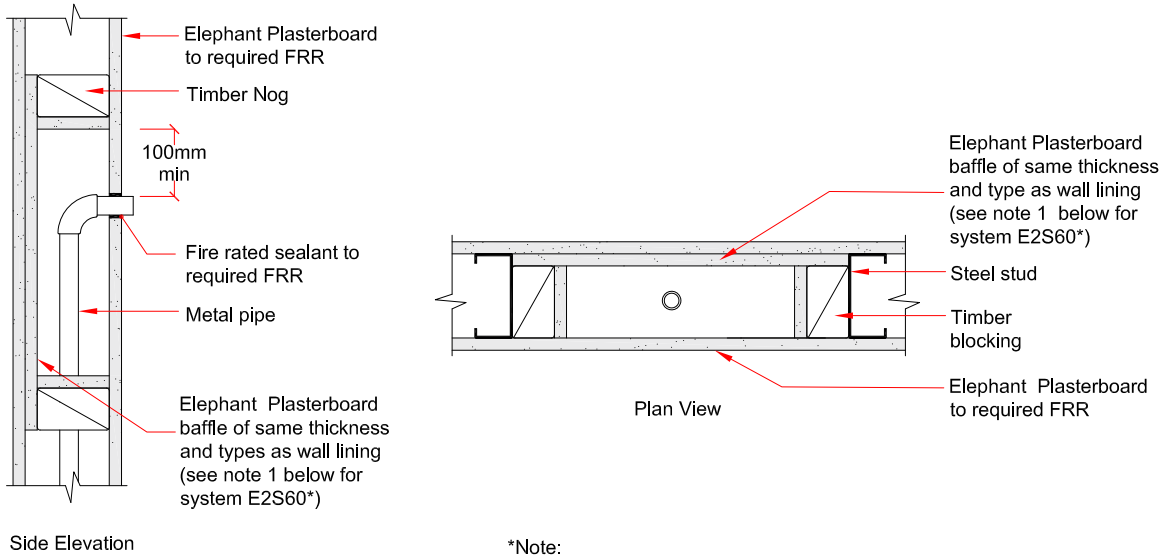
** Note: Refer proprietary products & penetration seal manufacturer's specifications & limitations for larger holes*



Penetrations

EFFS-155

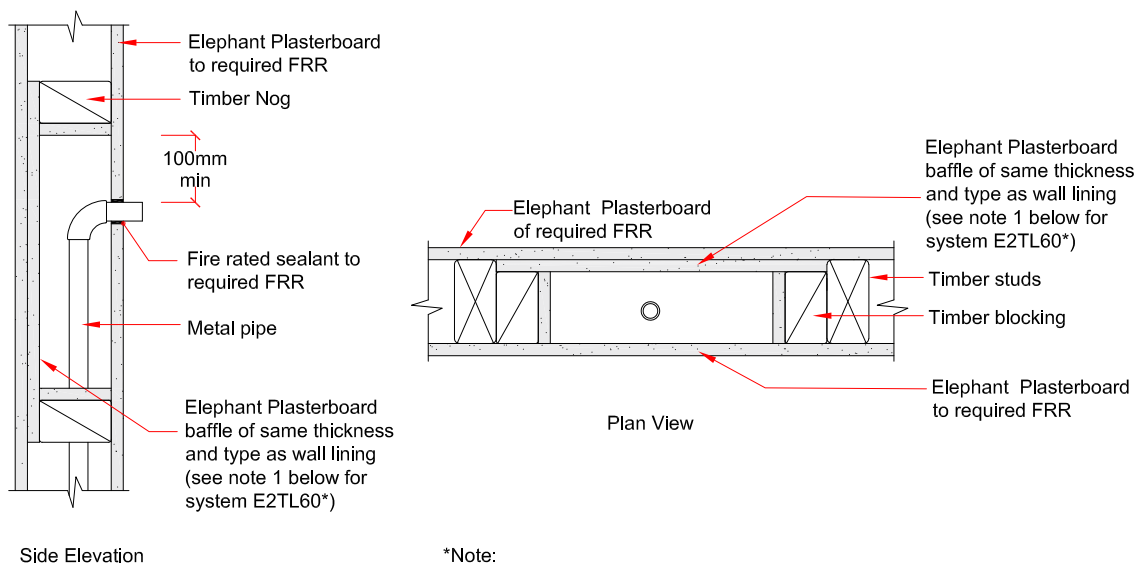
Metal Pipe on Steel Frame Wall



- *Note:
1. In order to maintain the 60 minutes FRR in system E2S60, the baffle must be minimum 16mm FireSmart
 2. Refer proprietary products & penetration seal manufacturer's specifications & limitations for larger holes

EFFS-156

Metal Pipe on Timber Frame Wall



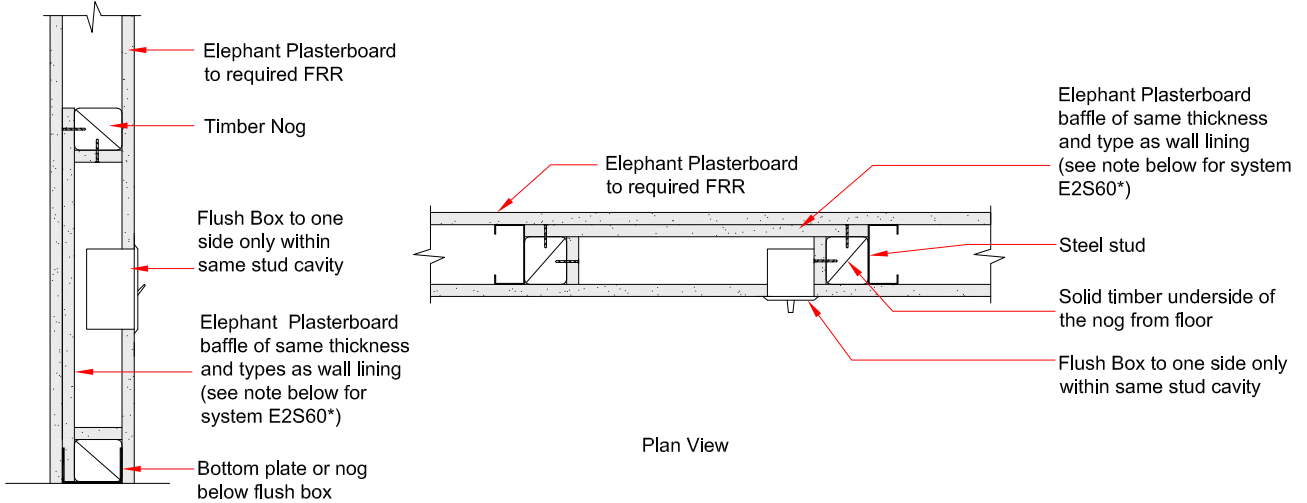
- *Note:
1. In order to maintain the 60 minutes FRR in system E2TL60, the baffle must be minimum 16mm FireSmart
 2. Refer proprietary products & penetration seal manufacturer's specifications & limitations for larger holes



Penetrations

EFS-151

Flush Box on Steel Frame Wall

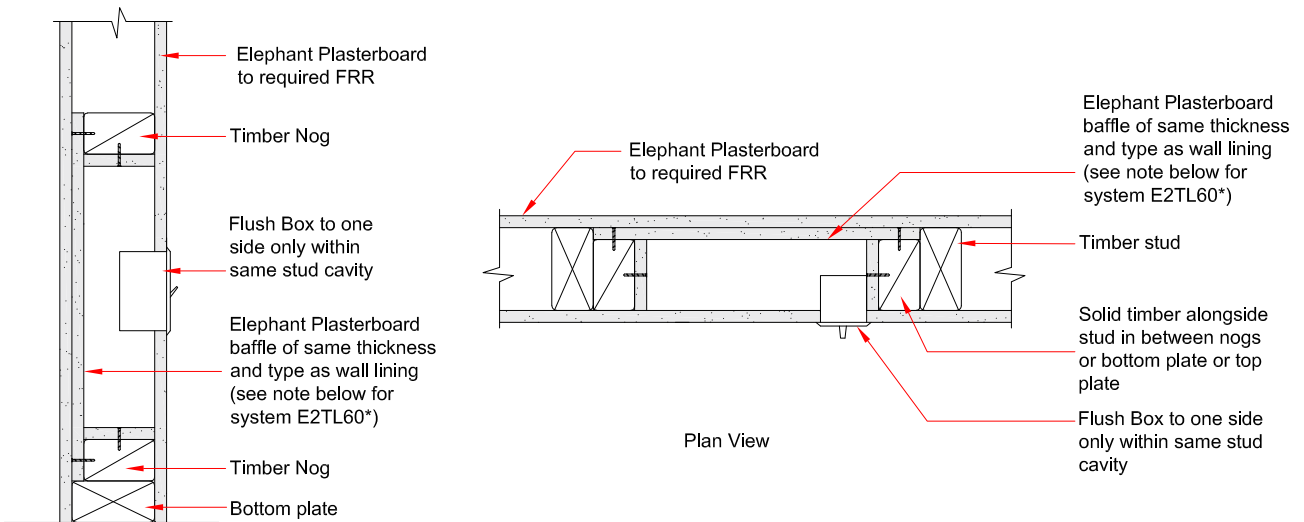


Side Elevation

*Note: In order to maintain the 60 minutes FRR in system E2S60, the baffle must be minimum 16mm FireSmart

EFS-152

Flush Box on Timber Frame Wall



Side Elevation

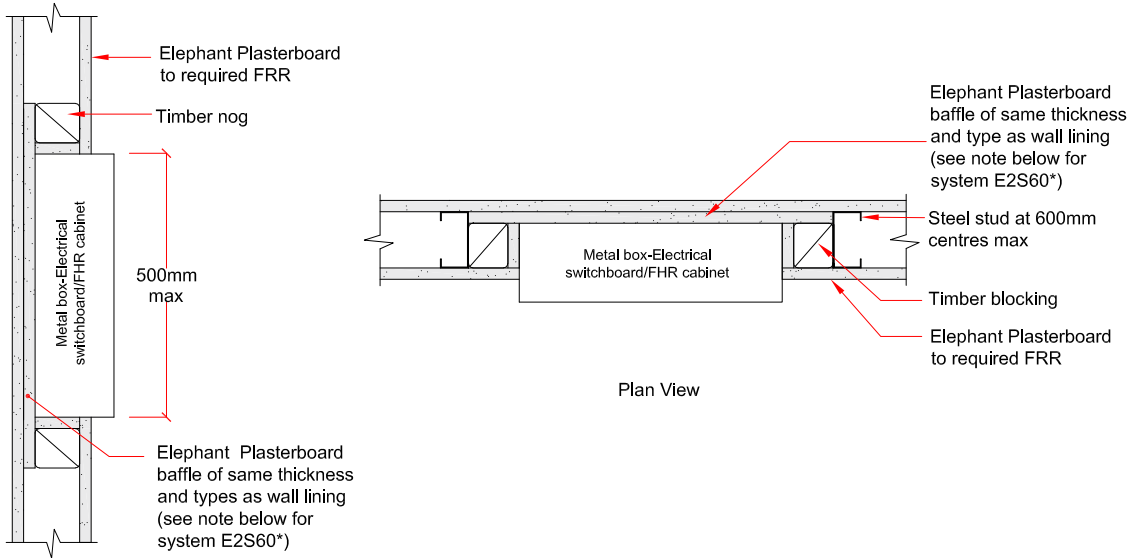
*Note: In order to maintain the 60 minutes FRR in system E2TL60, the baffle must be minimum 16mm FireSmart



Penetrations

EFS-154

Large Recess on Steel Frame Wall



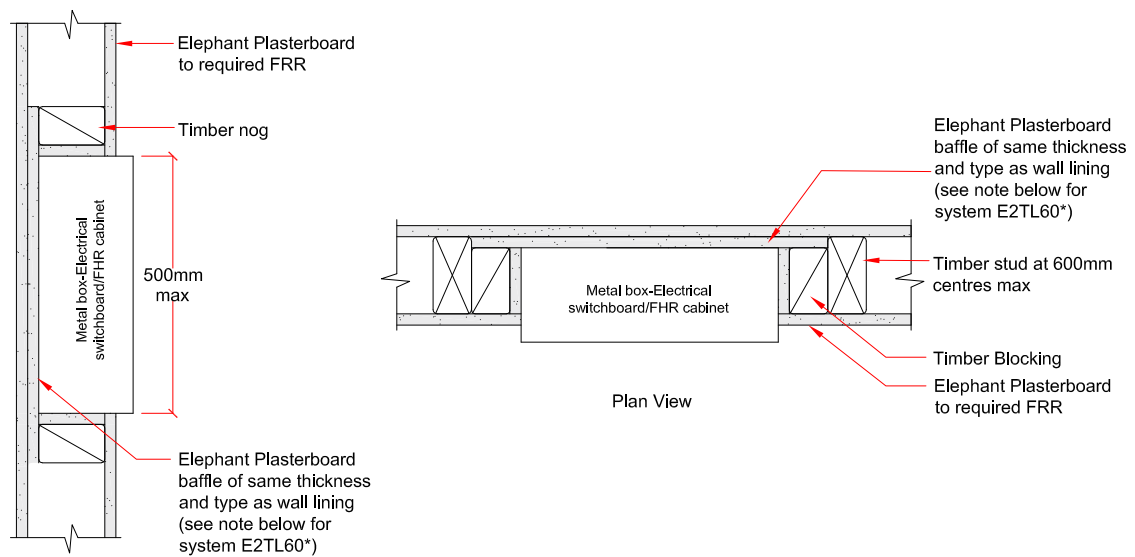
Side Elevation

Plan View

*Note: In order to maintain the 60 minutes FRR in system E2S60, the baffle must be minimum 16mm FireSmart

EFS-153

Large Recess on Timber Frame Wall



Side Elevation

Plan View

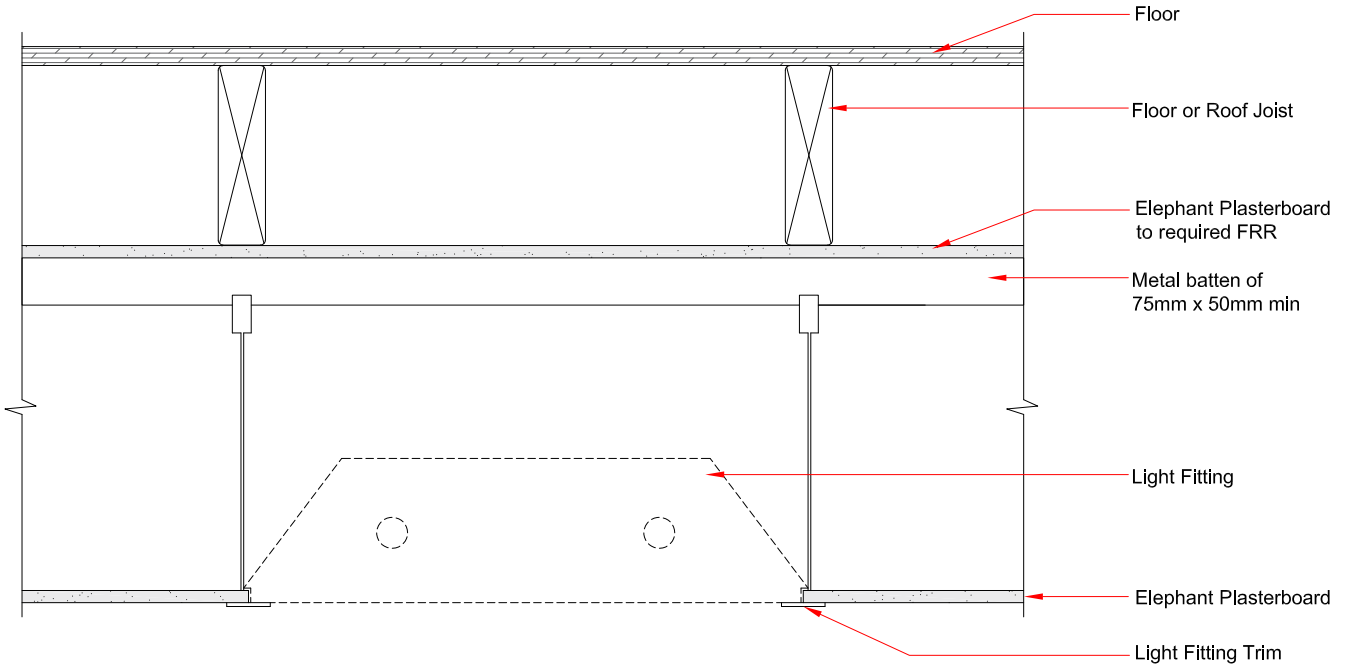
*Note: In order to maintain the 60 minutes FRR in system E2TL60, the baffle must be minimum 16mm FireSmart



Penetrations

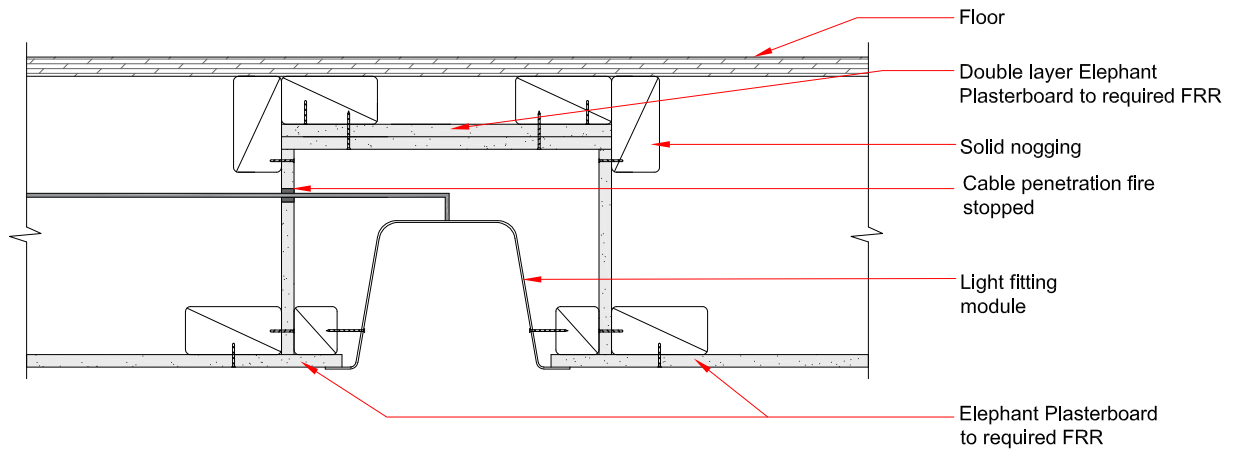
EFS-160

Recessed Light Ceiling Penetration



EFS-159

Recessed Light Ceiling Penetration



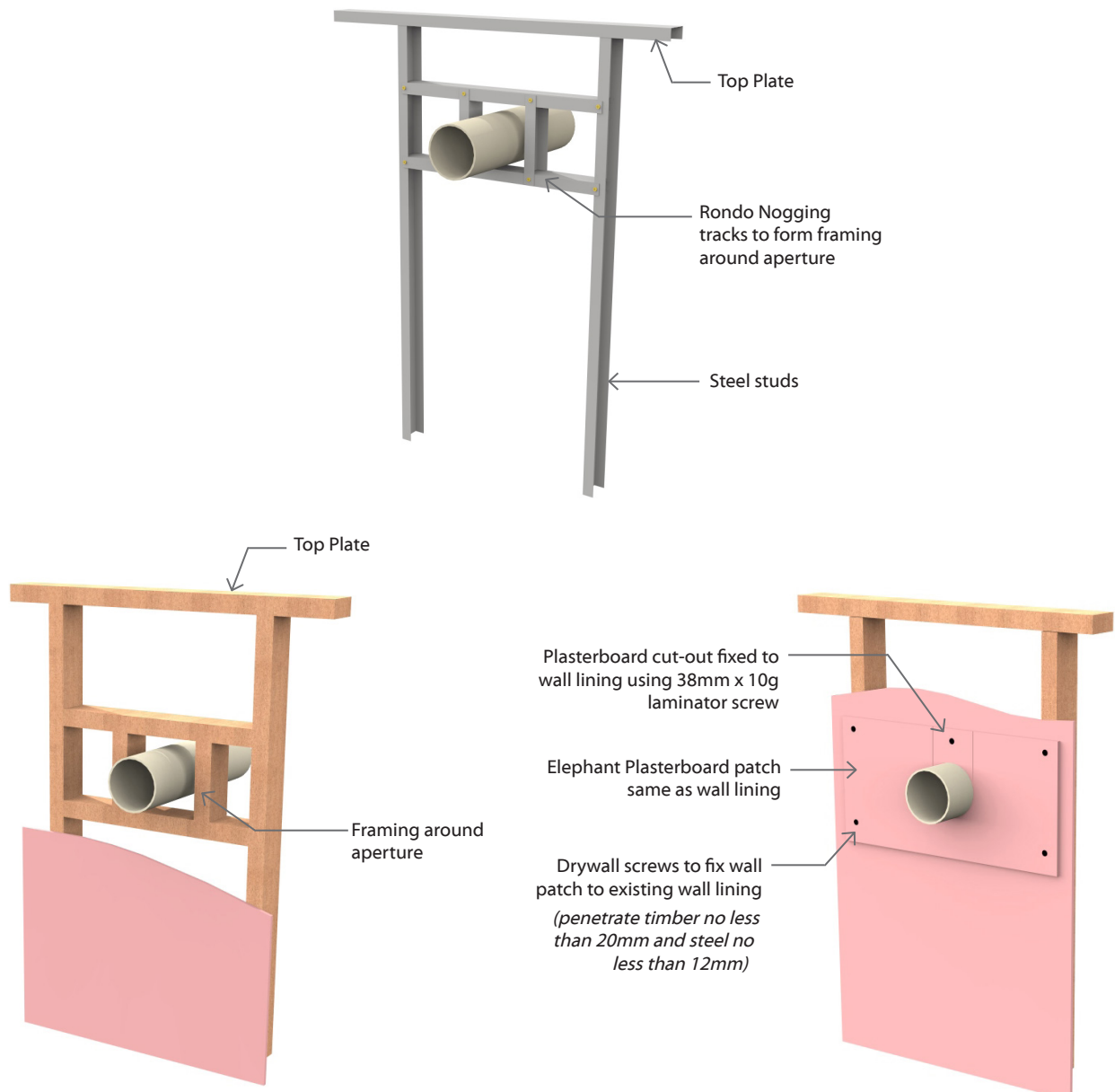
Proprietary Penetration Seals

Design Stage

- The engineer/architect must ensure that the fire rated service penetrations are correctly specified in the building plan.
- The design team must ensure that fire engineer's details and specifications are incorporated into the overall design as part of the building consent documentation.
- It is advisable to combine many services as possible into a fire rated shaft or service highways hence avoiding multiple individual penetrations that could compromise the fire rating.
- Correct specification of service penetrations requires understanding of test reports, evaluations and limitations of applicability. eg. the fire test result of the penetration seals tested on a concrete wall will require separate verification to be installed on a framed wall lined with plasterboard.
- In all cases ensure that the manufacturer's specifications must be followed, particularly paying attention to specific application, wall types and fixing methods.

Penetration Seal support

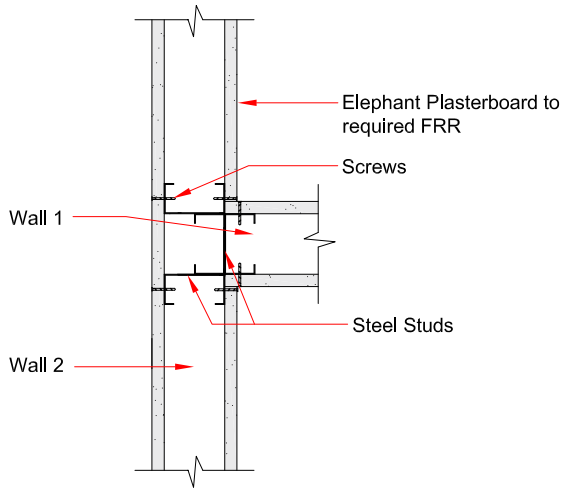
- Support penetration seals by additional framing members around the aperture if required.
- Alternatively, for penetration seals such as small metal pipes, plastic collar pipes or cable bundles, additional patches of plasterboard can be installed over the existing layer of wall linings, supported by the adjacent framing members.
- One way universal wall or ceiling systems do not require wall patches when penetration seals are installed.
- For heavy penetrations such as cable trays and ducts, separate support is required as per the penetration seal manufacturer's specification.
- In scenarios where there are multiple penetrations above the ceiling level, it is advisable to add an additional continuous strip of plasterboard over the existing wall lining to ensure strengthening around that area.



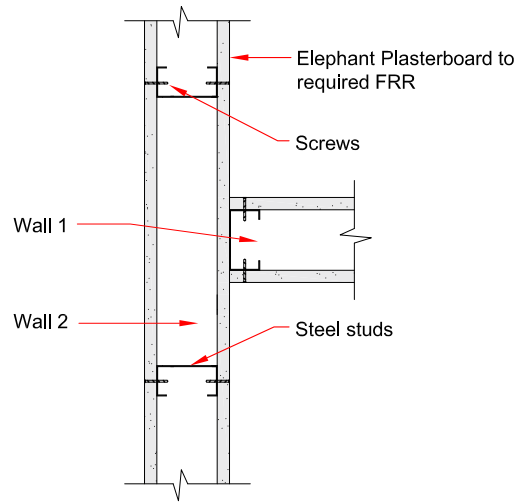
T Junctions & Corner Junction Two Way FRR Systems

EFS-053	Single Steel Frame Wall to Single Steel Frame Wall	EFS-051	Single Steel Frame Wall to Single Steel Frame Wall
---------	--	---------	--

For Systems where FRR of Wall 1 & 2 are equal

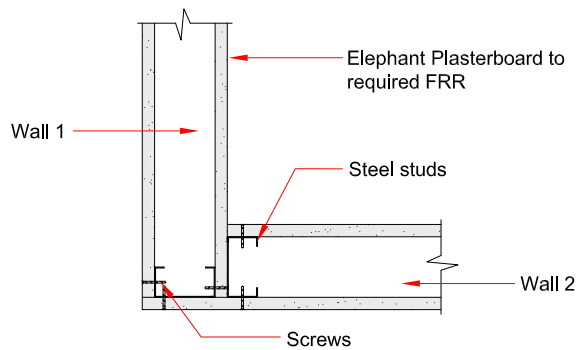


For Systems with Wall 1 & 2 of different FRR, the lining of wall with higher FRR is continuous (Wall 2 in this example)



EFS-054	Single Steel Frame Wall to Single Steel Frame Wall - Corner Junction
---------	--

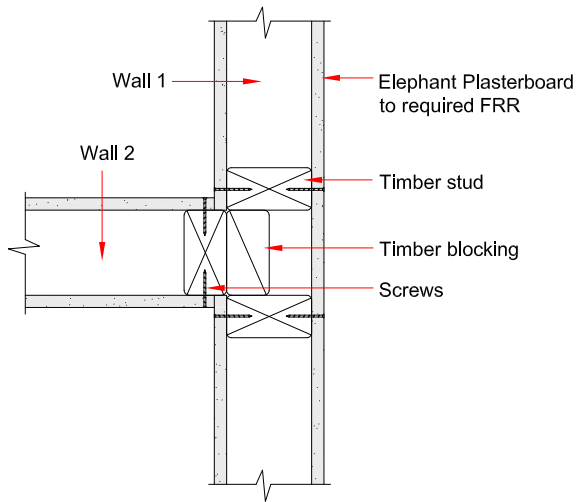
For Systems where FRR of Wall 1 & 2 are equal



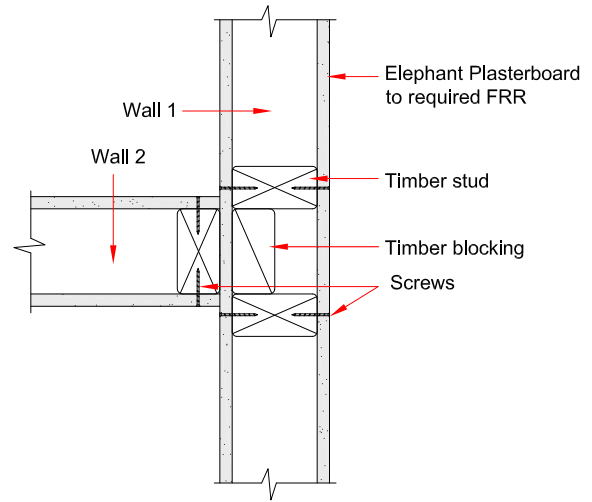
T Junctions & Corner Junction Two Way FRR Systems

EFS-001	Single Timber Frame Wall to Single Timber Frame Wall	EFS-002	Single Timber Frame Wall to Single Timber Frame Wall
---------	--	---------	--

For Systems where the difference in FRR between Wall 1 & 2 is 30 minutes or less

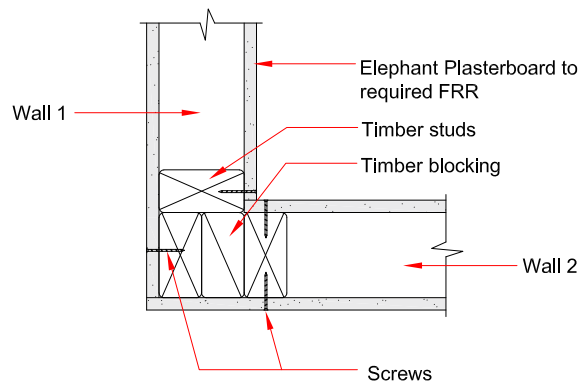


For Systems where the difference in FRR between Wall 1 & 2 is higher than 30 minutes, the lining of wall with higher FRR is continuous. (Wall 1 in this example)



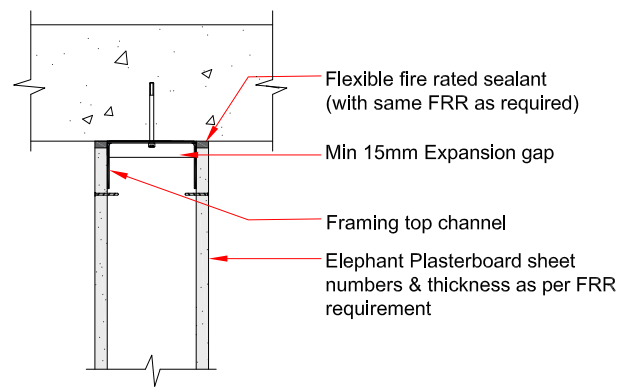
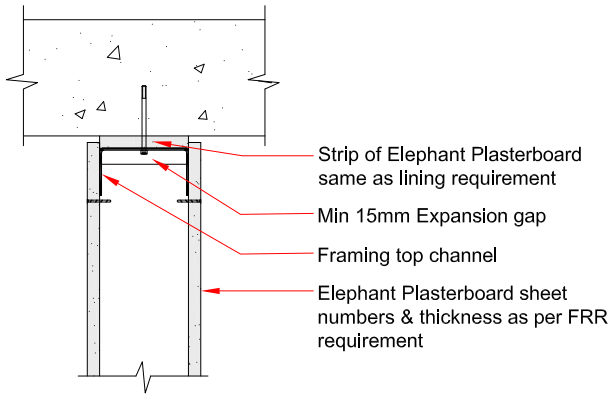
EFS-003	Single Timber Frame Wall to Single Timber Frame Wall - Corner Junction
---------	--

For Systems where FRR of Wall 1 & 2 are equal



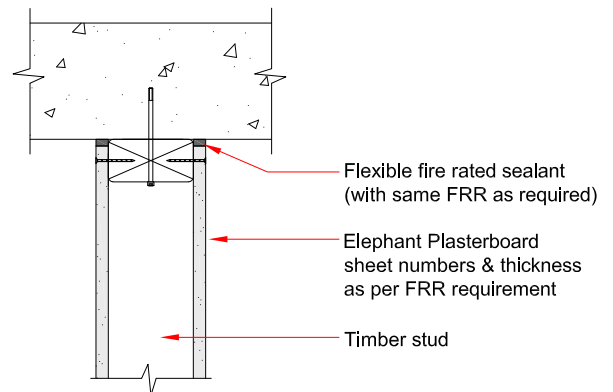
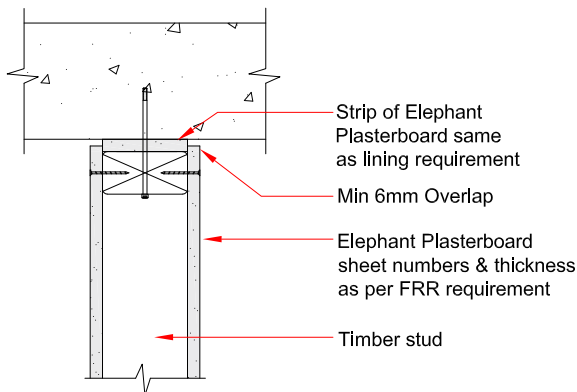
Head Details with Negligible Deflections

EFS-014 Head Detail for Steel or Timber Stud with Metal Top Track **EFS-015** Head Detail for Steel or Timber Stud with Metal Top Track



Note: Do not screw the wall lining into the top track

EFS-016 Head Detail for Full Timber frame - Type 1 **EFS-017** Head Detail for Full Timber frame - Type 2

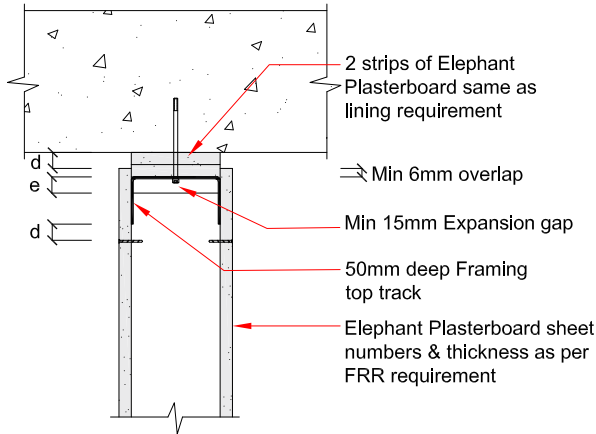


Deflection Head Details

EFS-008

Timber or Steel stud with Metal Top Track

Deflection (d) less than 20mm

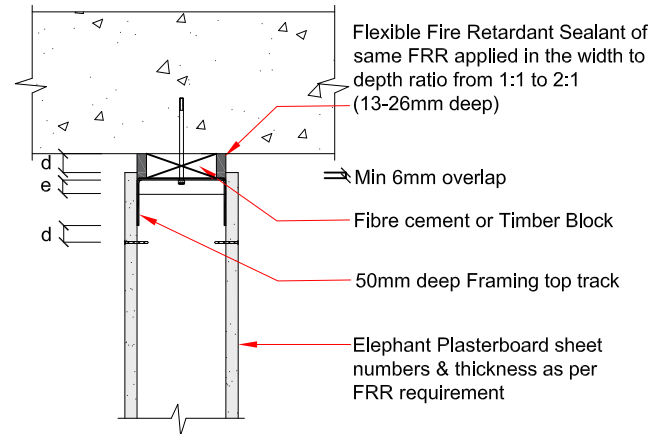


d = deflection
e = expansion gap is the greater of 15mm or d

EFS-011

Timber or Steel stud with Metal Top Track

Deflection (d) less than 20mm with Fibre Cement or Timber block



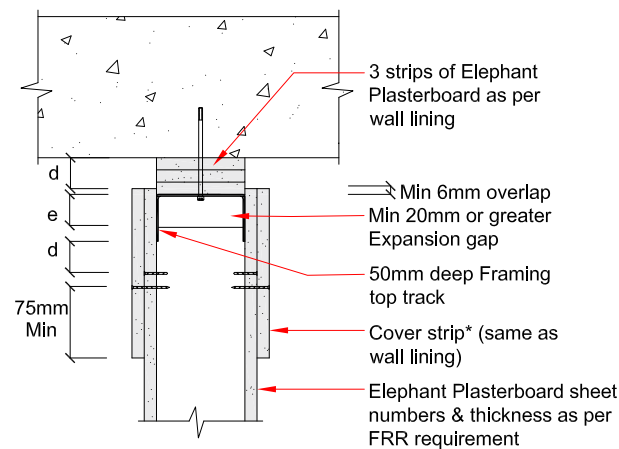
d = deflection
e = expansion gap is the greater of 15mm or d

Note: If Plasterboard is cantilevered 75mm or more past the top screw then a cover strip must be added

EFS-009

Timber or Steel stud with Metal Top Track

Deflection (d) 20mm or greater



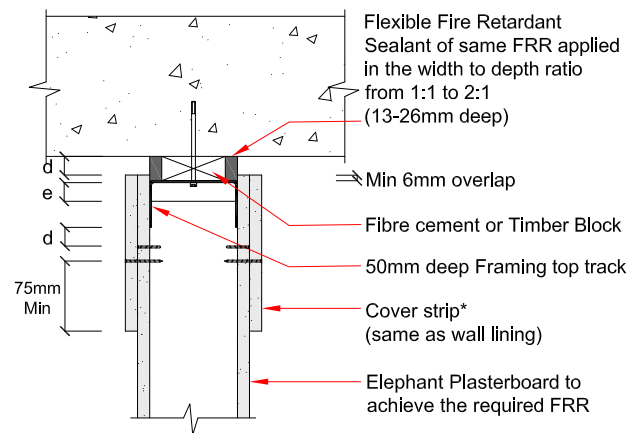
d = deflection
e = expansion gap is the greater of 15mm or d

*Note: If Plasterboard is cantilevered 75mm or more past the top screw use additional cover strip

EFS-010

Timber or Steel stud with Metal Top Track

Deflection (d) 20mm or greater with Fibre Cement or Timber block



d = deflection
e = expansion gap is the greater of 15mm or d

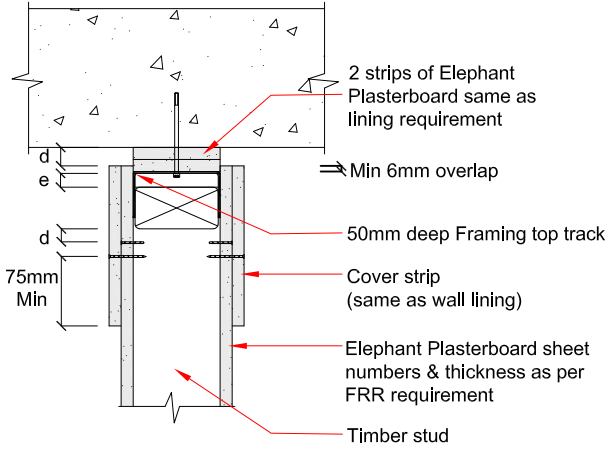
*Note: If Plasterboard is cantilevered 75mm or more past the top screw use additional cover strip



Deflection Head Details

EFS-012

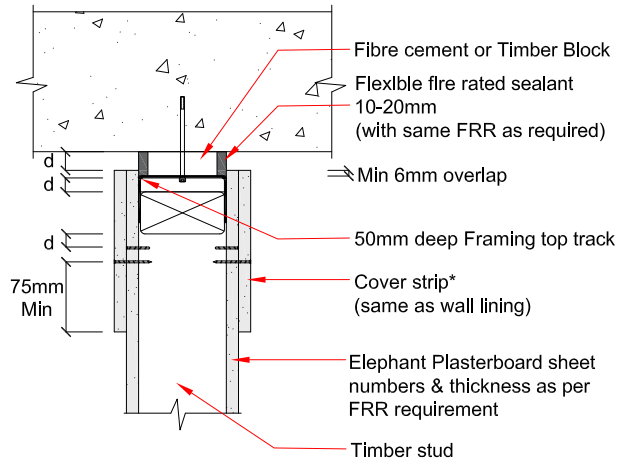
Full Timber Frame with Metal Top Track -Type 1



d = deflection
 e = expansion gap is the greater of 15mm or d
 *Note: If Plasterboard is cantilevered 75mm or more past the top screw use additional cover strip

EFS-013

Full Timber Frame with Metal Top Track -Type 2

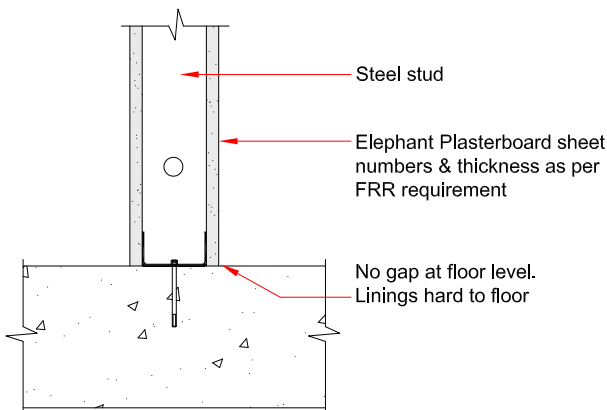


d = deflection
 e = expansion gap is the greater of 15mm or d
 *Note: If Plasterboard is cantilevered 75mm or more past the top screw use additional cover strip

Base Details

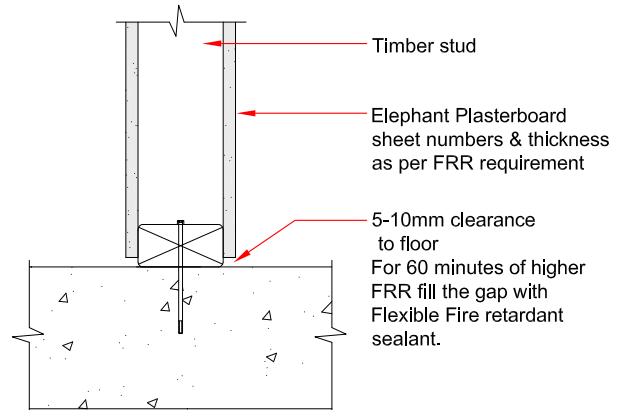
EFS-058

Steel Frame



EFS-018

Timber Frame

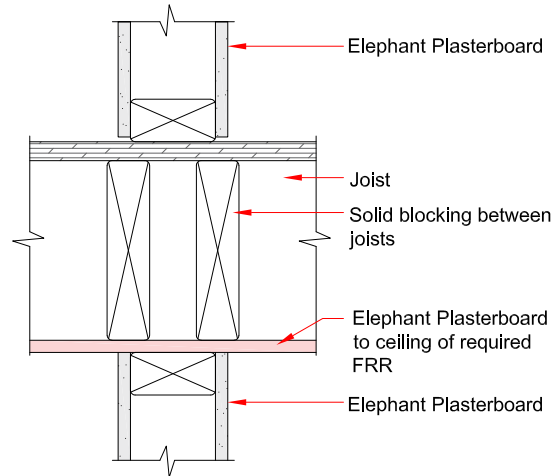
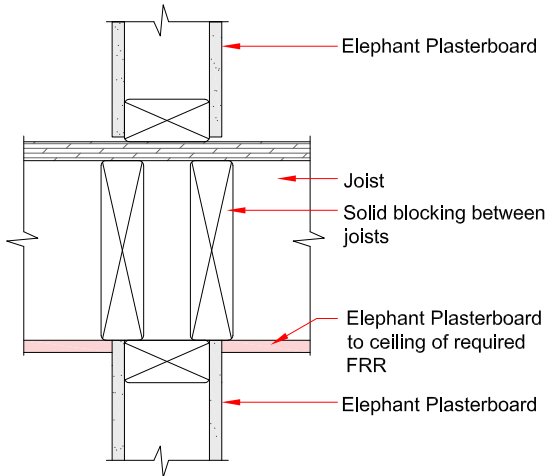


Wall & Floor/Ceiling Junctions

EF5-204

Junction with FRR of Floor/Ceiling being continuous

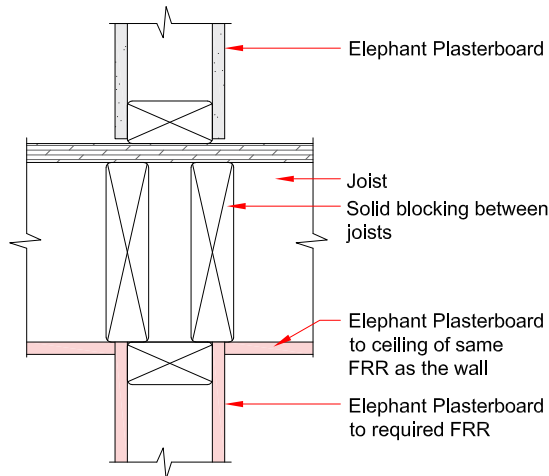
- FRR of floor/ceiling is higher than the wall
- Difference in FRR is 30 minutes or less
- Non-load bearing wall
- FRR of floor/ceiling is higher than the wall
- Difference in FRR is greater than 30 minutes
- Non-load bearing wall



EF5-205

Junction with FRR of Wall & Floor/Ceiling being same

- FRR of floor/ceiling & the wall are the same
- Load or Non-load bearing Wall
- In case of load bearing wall and it not being a fire cell, then it should be made a Universal wall in order to maintain structural stability.

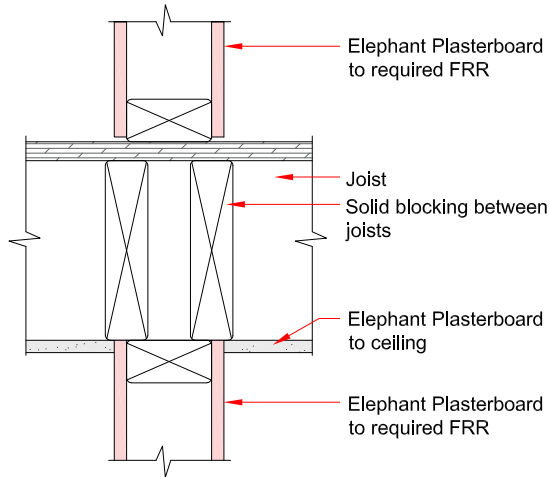


Wall & Floor/Ceiling Junctions

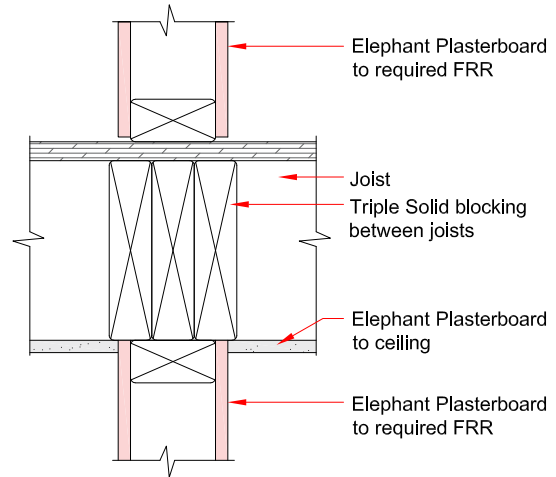
EFS-208

Junction with FRR of Wall being continuous

- If FRR of the wall is greater than the Floor/ceiling by 30 minutes or less
- If Both have the same FRR
- If FRR of the wall is 60 minutes or less



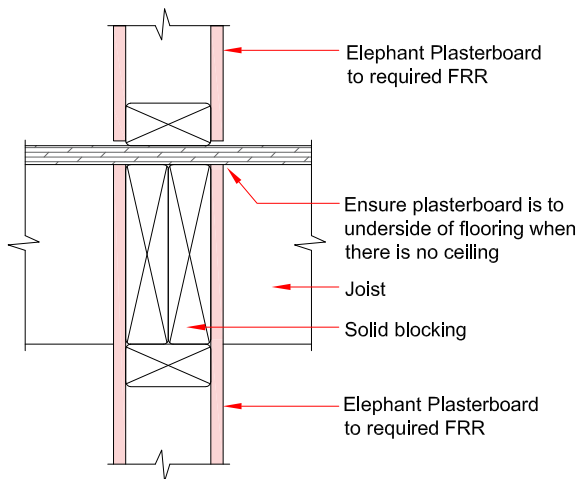
- FRR of the wall is greater than 60 minutes and the FRR of floor/ceiling is 60 minutes less than the wall



EFS-206

Junction with no Ceiling Lining

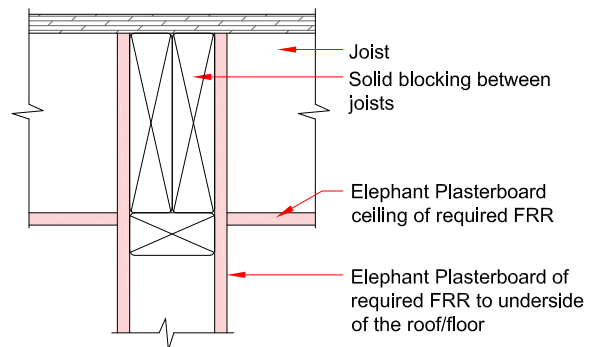
- In absence of Ceiling lining, timber double blocking between wall top plate & underside of flooring is required to fill the void.
- Plasterboard must be carried up to the underside of flooring



EFS-209

Fire Rated wall and Fire Rated Ceiling Junction

- Load or Non-load bearing Wall
- In case of load bearing wall and it is within the same fire cell, then it should be made a Universal wall in order to maintain structural stability.



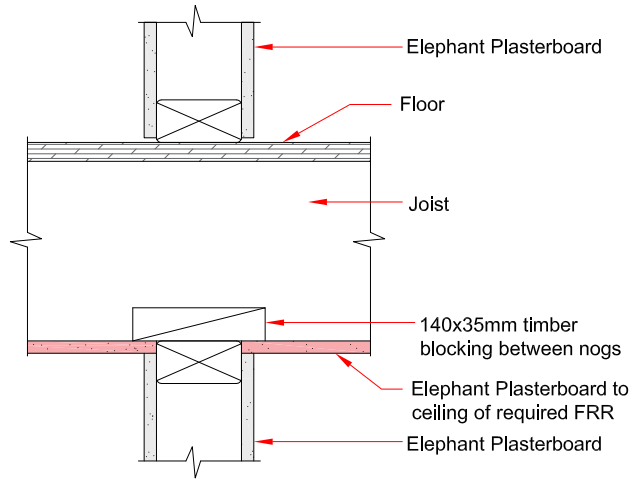
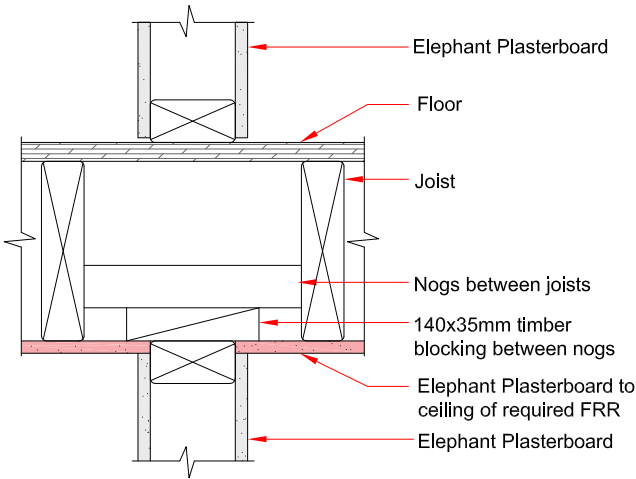
Wall & Floor/Ceiling Junctions

EFS-210

Junction of ceiling sheets Direct fixed to Timber Joist

- FRR of floor/ceiling is higher than the wall
- Difference in FRR is 30 minutes or less
- Non-load bearing wall

- FRR of floor/ceiling is higher than the wall
- Difference in FRR is 30 minutes or less
- Non-load bearing wall

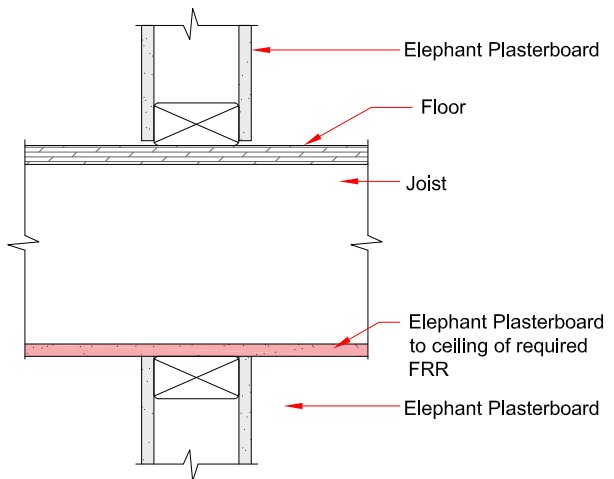
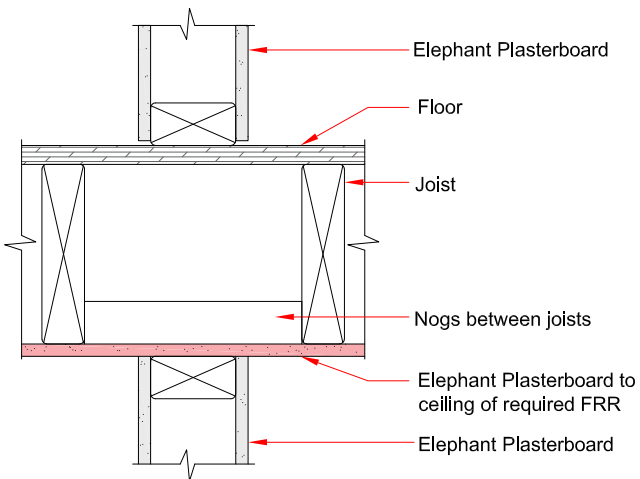


EFS-211

Junction of ceiling sheets Direct fixed to Timber Joist

- FRR of floor/ceiling is higher than the wall
- Difference in FRR is greater than 30 minutes
- Non-load bearing wall

- FRR of floor/ceiling is higher than the wall
- Difference in FRR is greater than 30 minutes
- Non-load bearing wall

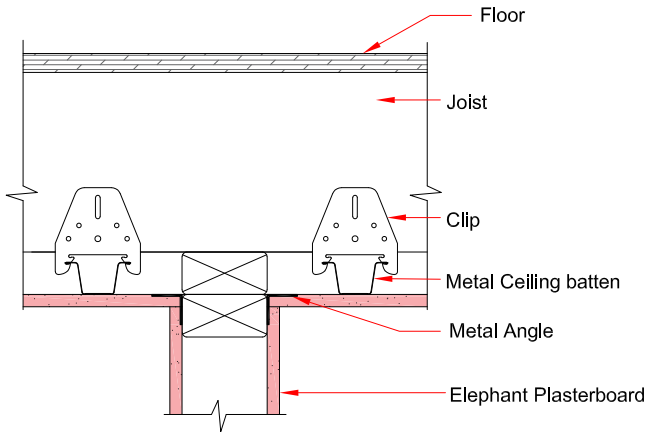


Wall & Floor/Ceiling Junctions

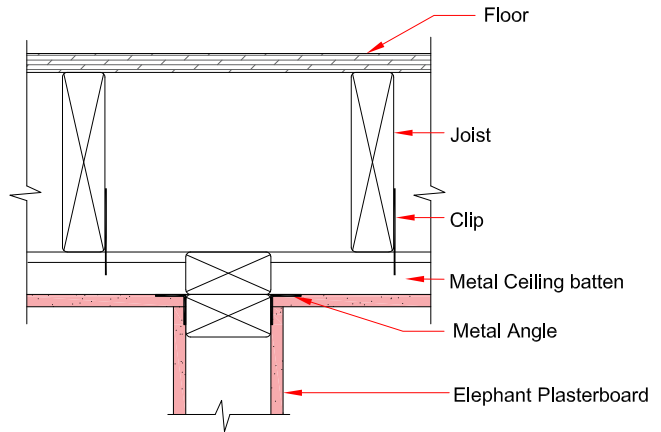
EFS-212

Direct fix clip Floor/Ceiling Junction

- FRR of floor/ceiling & the wall are the same
- Load or Non-load bearing Wall
- Incase of load bearing wall and it not being a fire cell, then it should be made a Universal wall in order to maintain structural stability.



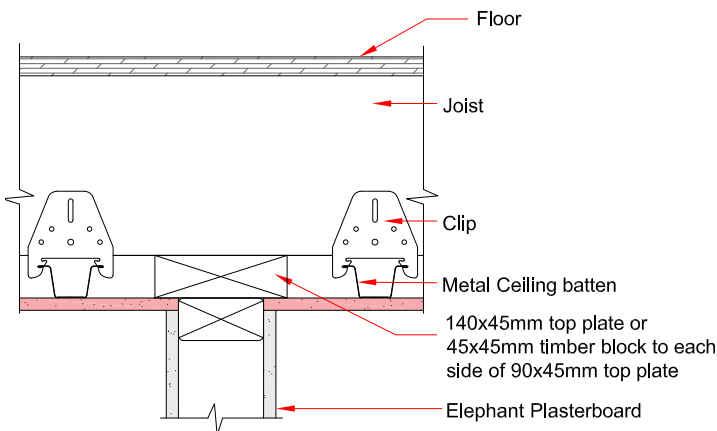
- FRR of floor/ceiling & the wall are the same
- Load or Non-load bearing Wall
- Incase of load bearing wall and it not being a fire cell, then it should be made a Universal wall in order to maintain structural stability.



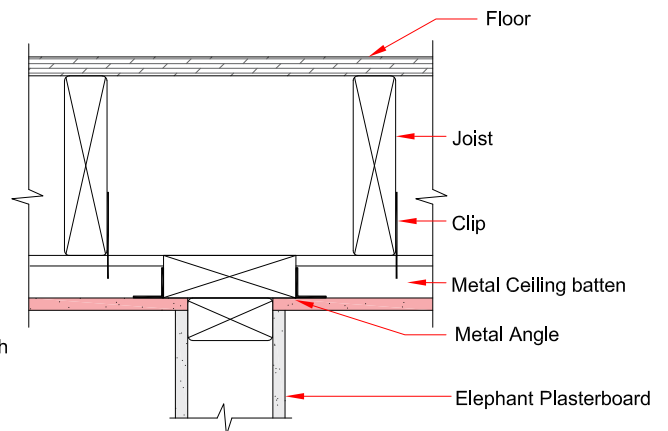
EFS-213

Direct fix clip Floor/Ceiling Junction

- FRR of floor/ceiling & the wall are the same
- Load or Non-load bearing Wall
- Incase of load bearing wall and it not being a fire cell, then it should be made a Universal wall in order to maintain structural stability.



- FRR of floor/ceiling & the wall are the same
- Load or Non-load bearing Wall
- Incase of load bearing wall and it not being a fire cell, then it should be made a Universal wall in order to maintain structural stability.

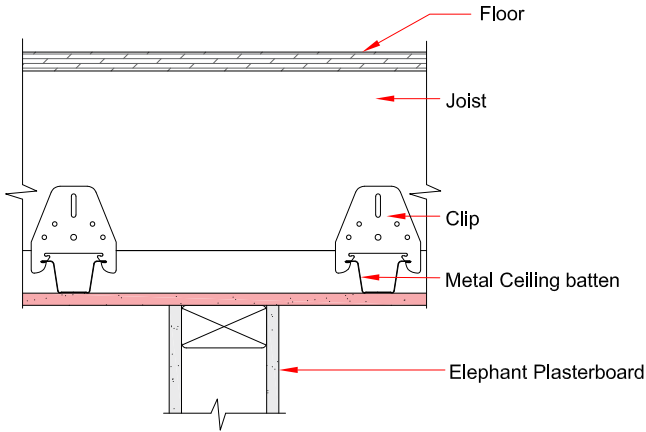


Wall & Floor/Ceiling Junctions

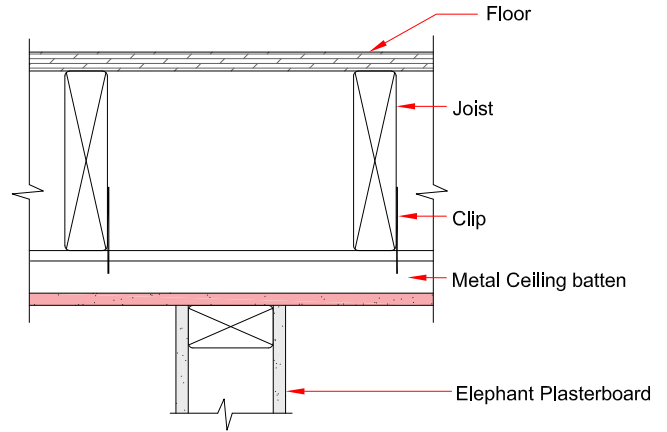
EFS-214

Direct fix clip Floor/Ceiling Junction

- FRR of floor/ceiling is higher than the wall
- Non-load bearing Wall



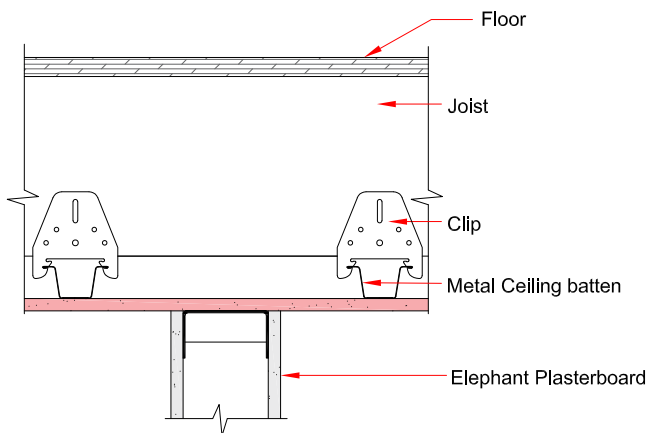
- FRR of floor/ceiling is higher than the wall
- Non-load bearing Wall



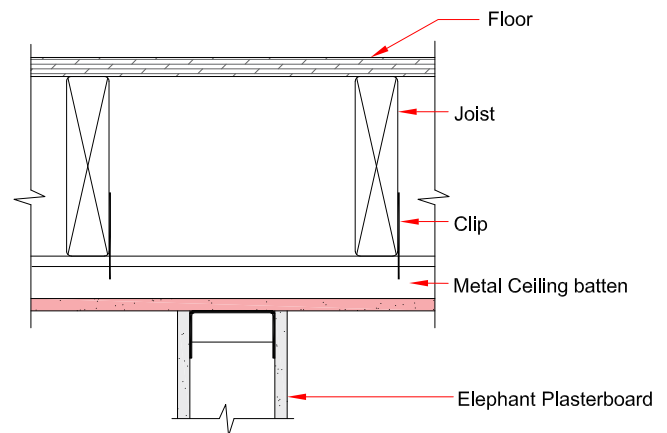
EFS-215

Direct fix clip Floor/Ceiling Junction

- FRR of floor/ceiling is higher than the wall
- Non-load bearing Wall



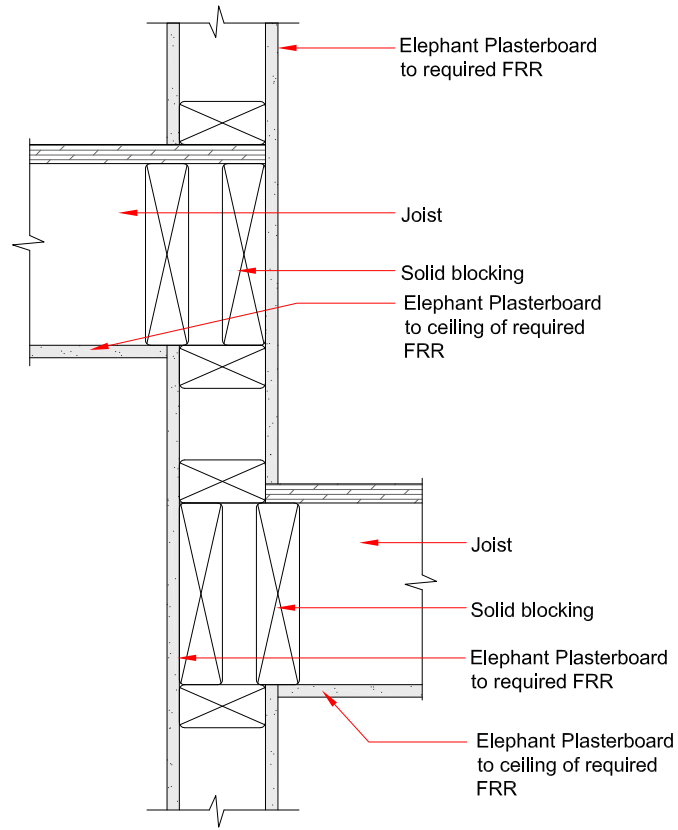
- FRR of floor/ceiling is higher than the wall
- Non-load bearing Wall



Wall & Floor/Ceiling Junctions

FFS-207

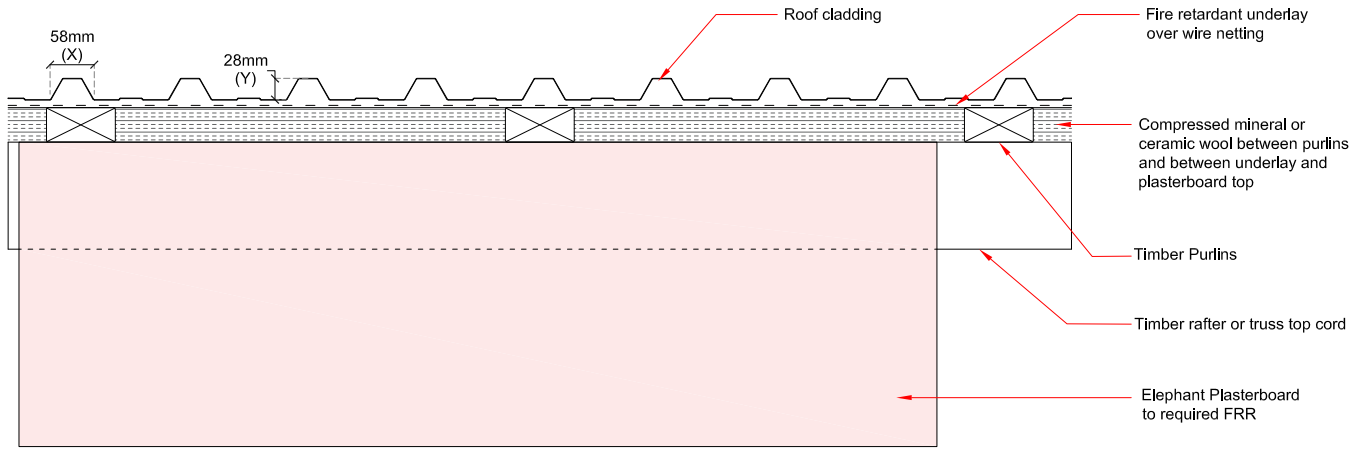
Floor/Ceiling Junction - Split level



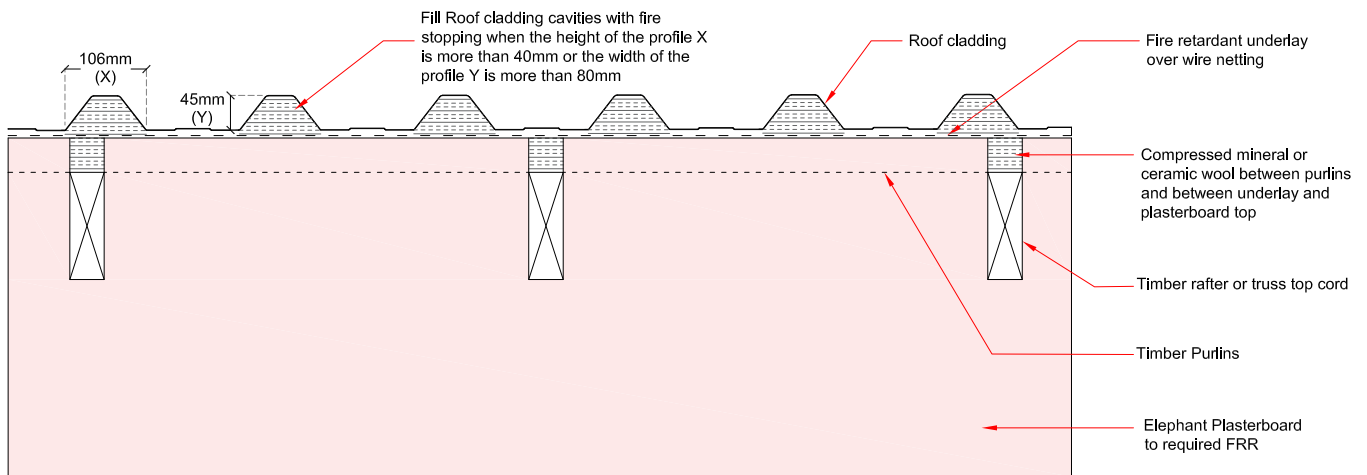
Roof Details

EF5-203

Intersection Roof Details



Intersection Roof Detail
 (with plasterboard running parallel to timber rafters/roof battens)



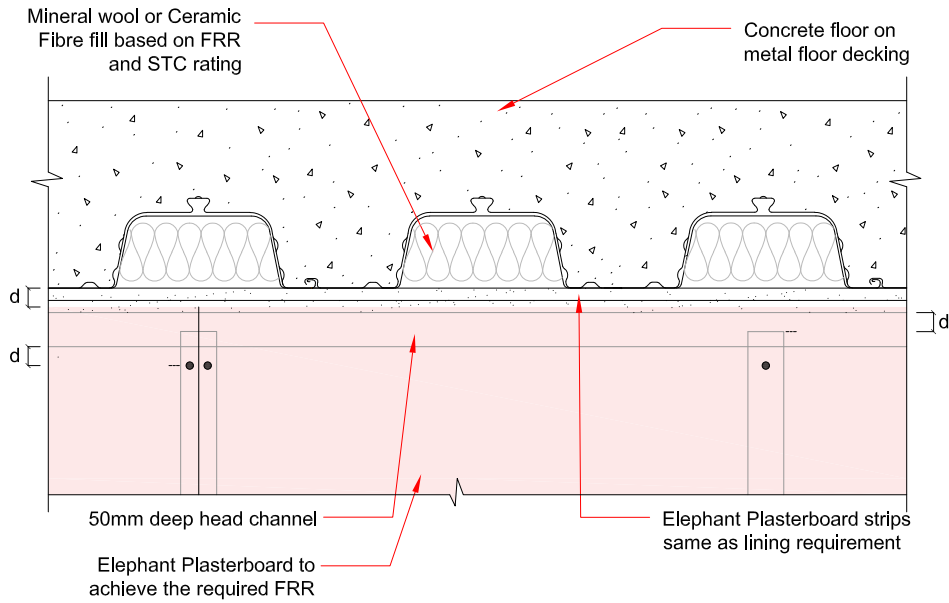
Intersection Roof Detail
 (with plasterboard running perpendicular to timber rafters/roof battens)



Composite Floor Deflection Head Details

EFS-251

Wall Perpendicular to Profile Junction



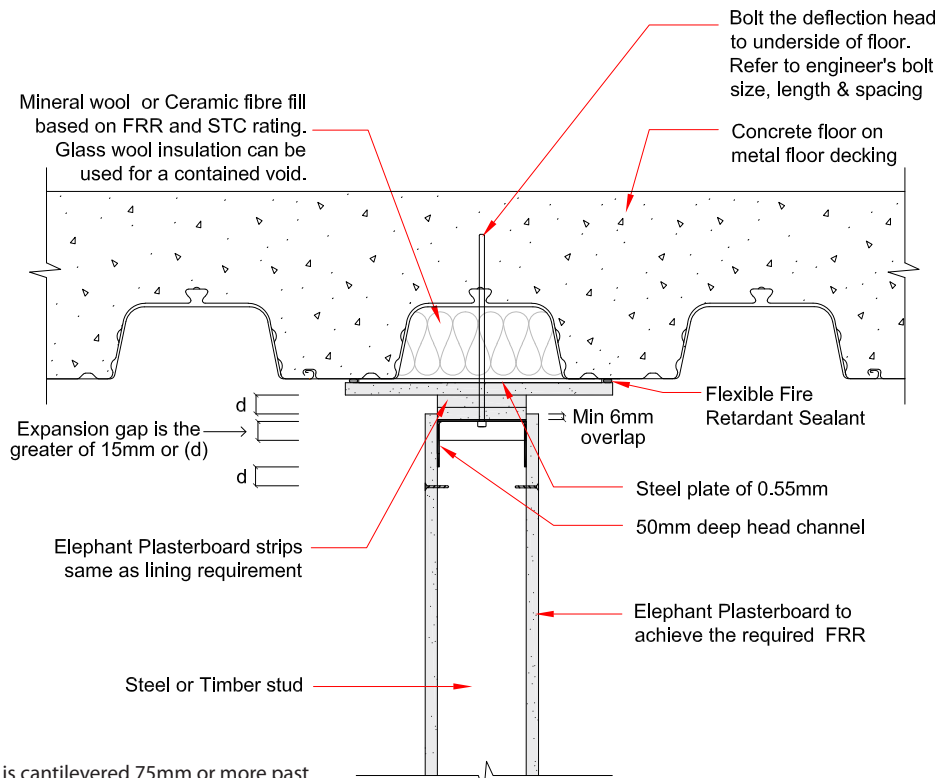
d = Deflection

Note: If Plasterboard is cantilevered 75mm or more past the top screw then wall lining must be double layer

NOTE: Maximum 60 mins Fire system only. For higher fire rating requirements, contact Elephant Plasterboard at 0800 353 742

EFS-254

Wall to Profile Junction



d = Deflection

Note: If Plasterboard is cantilevered 75mm or more past the top screw then wall lining must be double layer

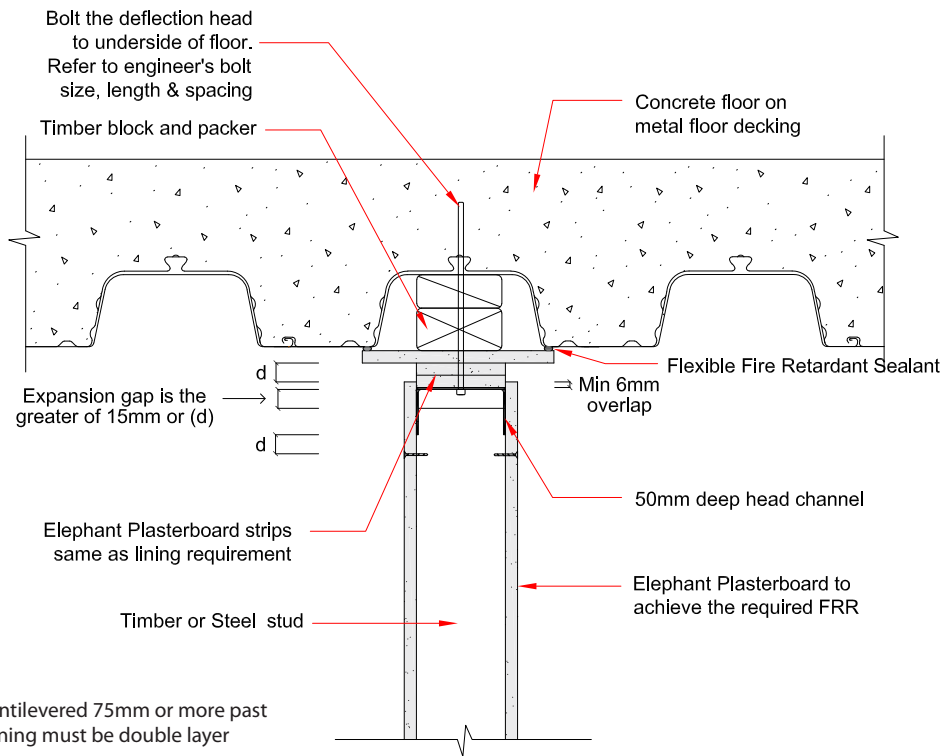
NOTE: Maximum 60 mins Fire system only. For higher fire rating requirements, contact Elephant Plasterboard at 0800 353 742



Composite Floor Deflection Head Details

EFS-263

Wall to Profile Junction with Timber packer



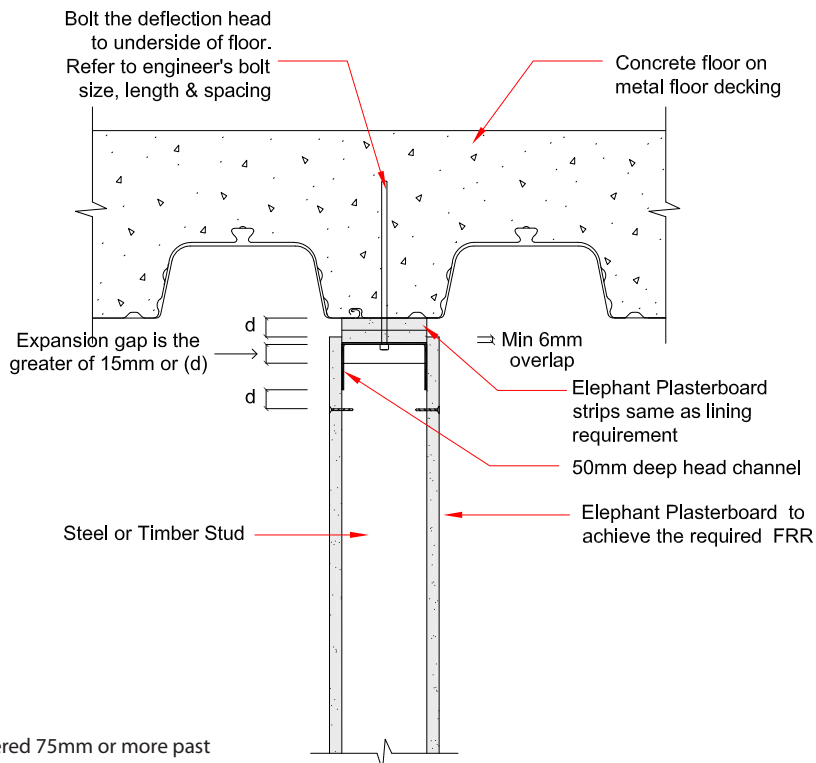
d = Deflection

Note: If Plasterboard is cantilevered 75mm or more past the top screw then wall lining must be double layer

NOTE: Maximum 60 mins Fire system only. For higher fire rating requirements, contact Elephant Plasterboard at 0800 353 742

EFS-257

Wall to Profile Junction



d = Deflection

Note: If Plasterboard is cantilevered 75mm or more past the top screw then wall lining must be double layer

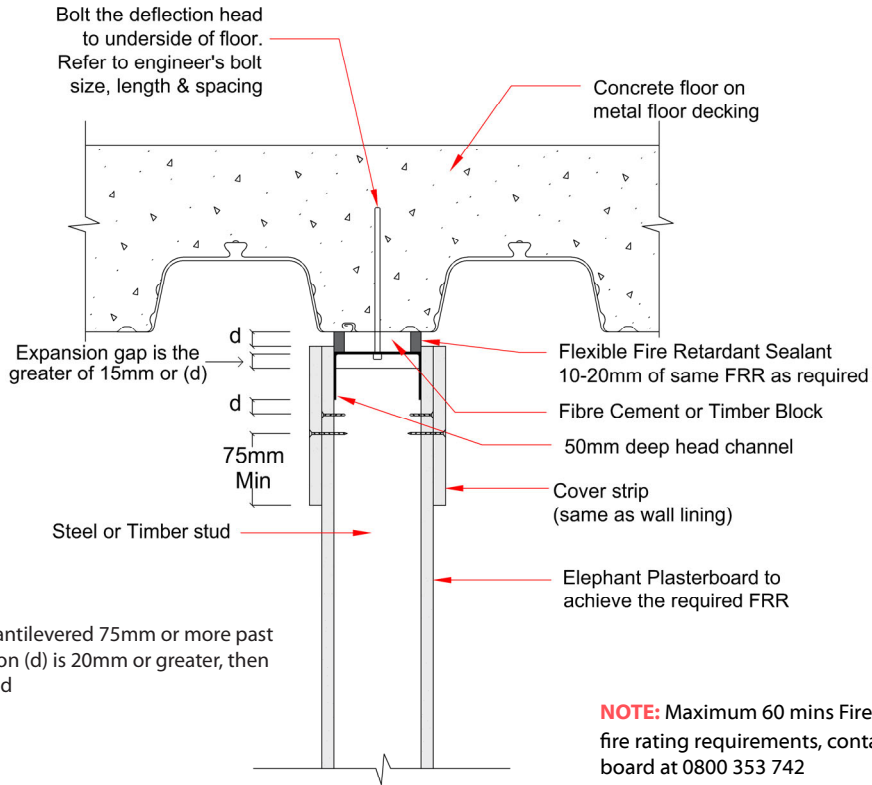
NOTE: Maximum 60 mins Fire system only. For higher fire rating requirements, contact Elephant Plasterboard at 0800 353 742



Composite Floor Deflection Head Details

FFS-261

Wall to Profile Junction



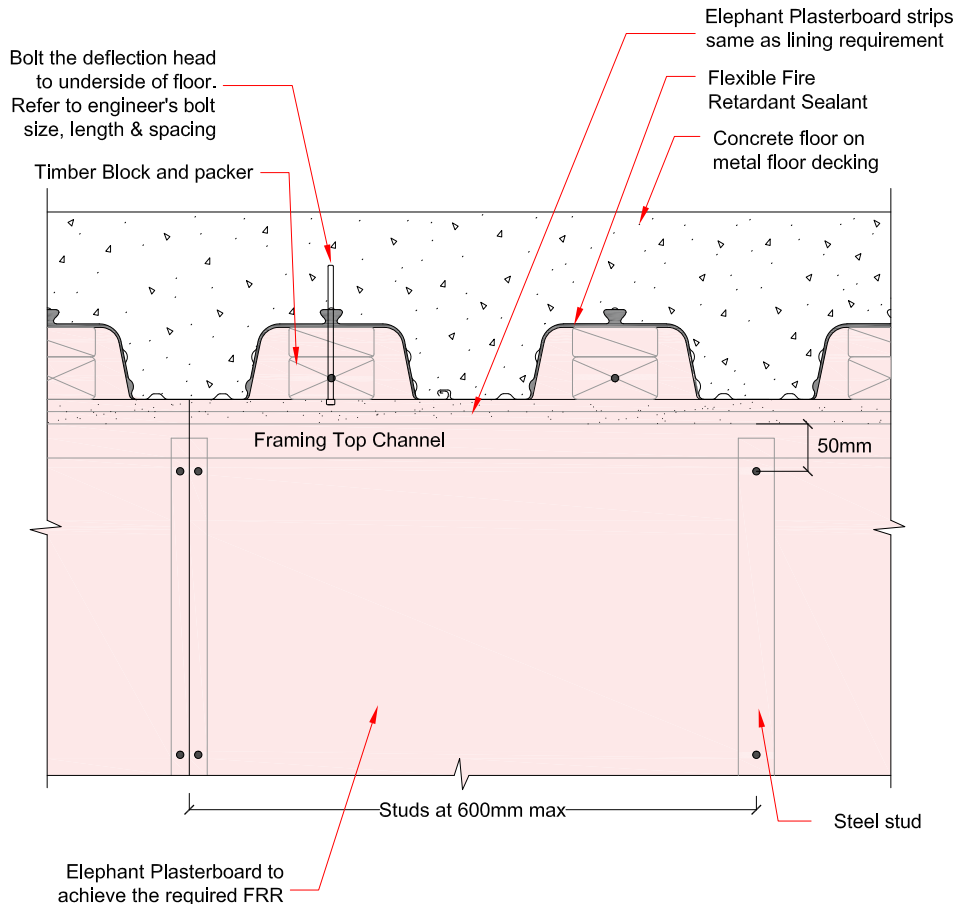
d = Deflection

Note: If Plasterboard is cantilevered 75mm or more past the top screw or deflection (d) is 20mm or greater, then cover strip must be added

NOTE: Maximum 60 mins Fire system only. For higher fire rating requirements, contact Elephant Plasterboard at 0800 353 742

FFS-256

Wall Perpendicular to Profile Junction - For Negligible Deflection



Note: If Plasterboard is cantilevered 75mm or more past the top screw or deflection (d) is 20mm or greater, then cover strip must be added

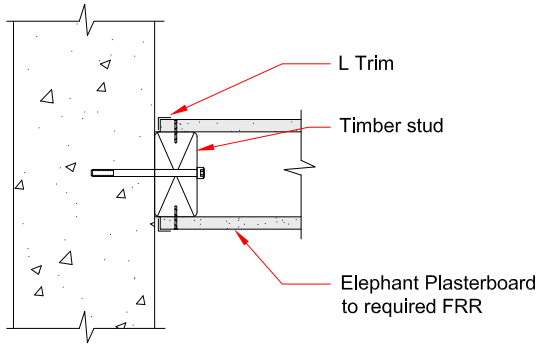
NOTE: Maximum 60 mins Fire system only. For higher fire rating requirements, contact Elephant Plasterboard at 0800 353 742



Rigid Junctions

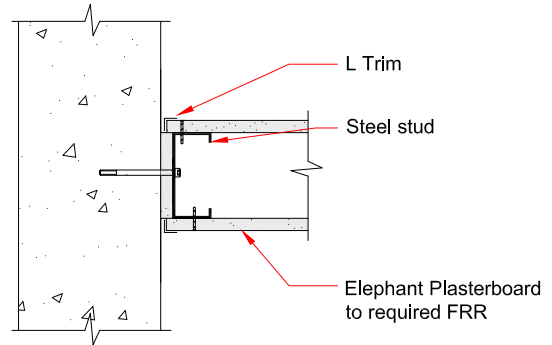
EFS-004

Timber Stud Drywall to Masonry



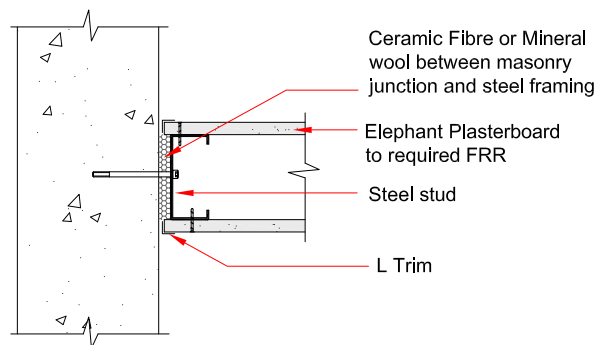
EFS-055

Steel Stud Drywall to Masonry



EFS-056

Steel Stud Drywall with FRR Wool Lining to Masonry



Control Joints

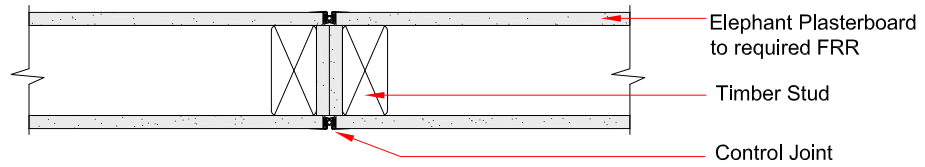
EFS-057

Steel Frame FRR Wall



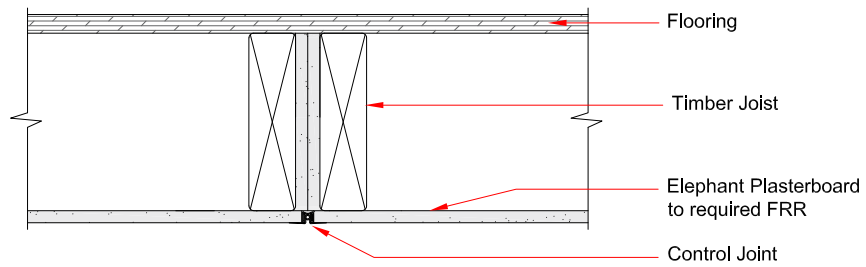
EFS-005

Timber Frame FRR Wall



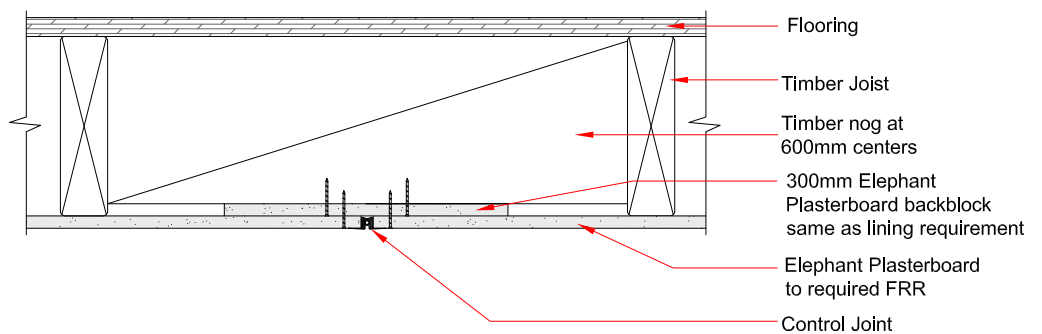
EFS-006

FRR Floor Ceiling



EFS-007

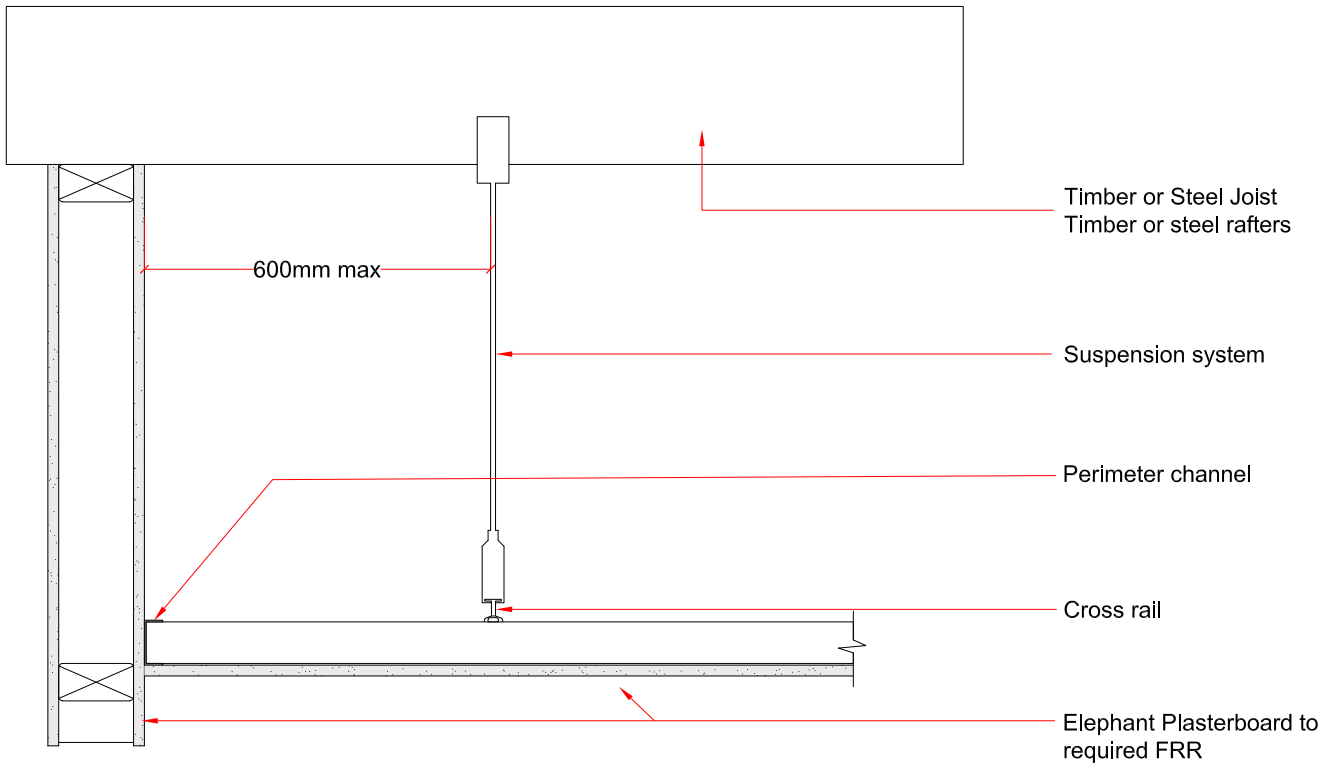
FRR Floor Ceiling



Ceiling Wall Junction Details

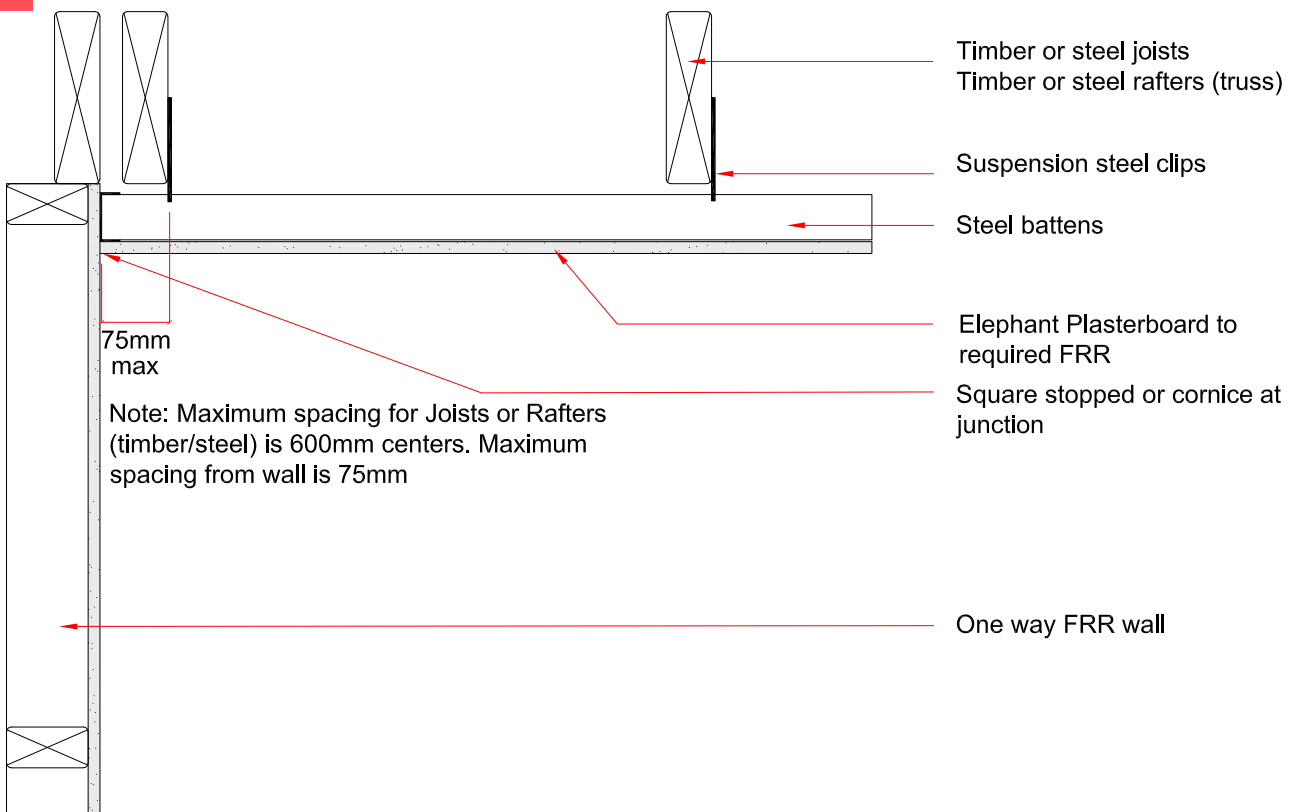
EFS-201

Suspended Ceiling Details



EFS-202

Direct Fix Clip Ceiling Details

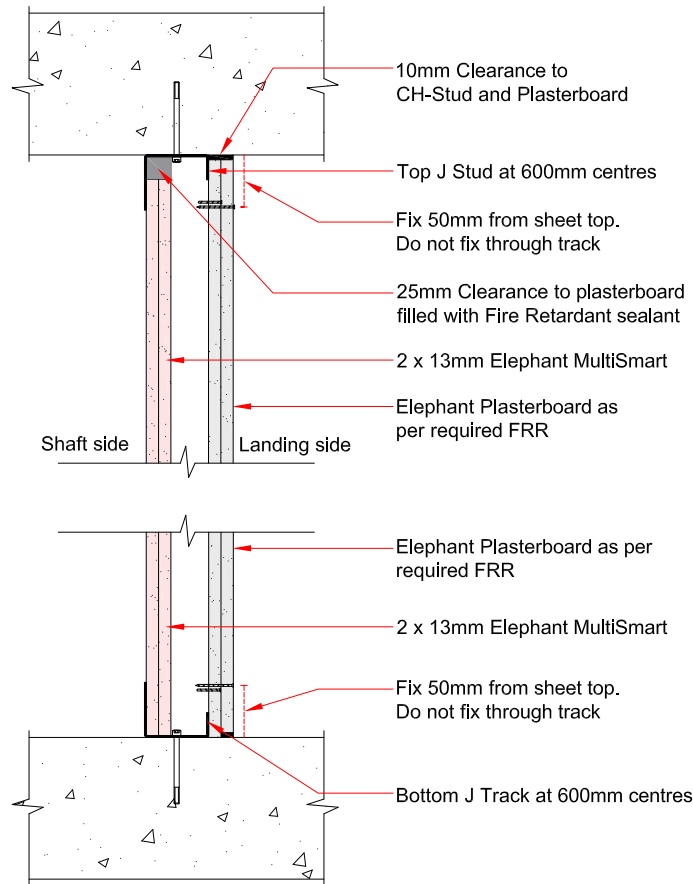


Shaftwall

EFS-301

Shaftwall Head & Base Detail

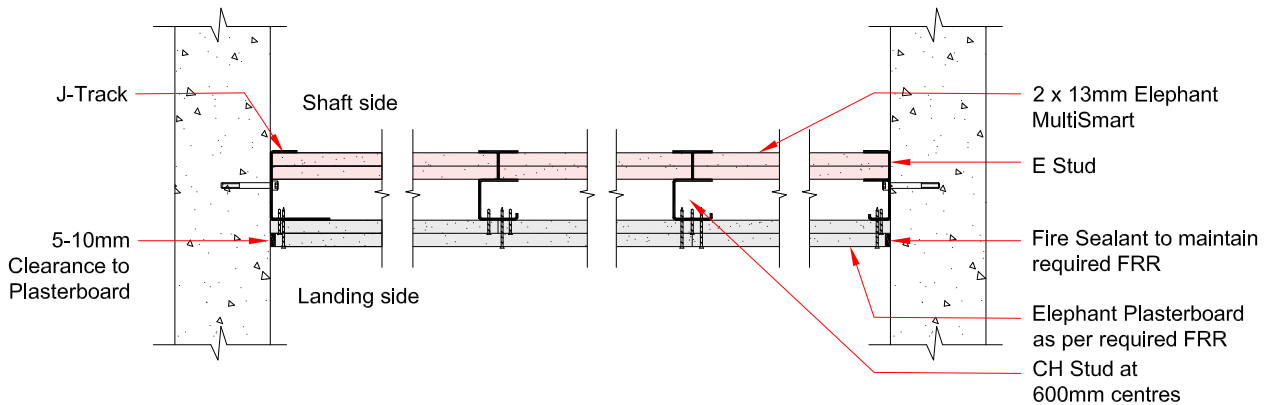
Elevation



EFS-304

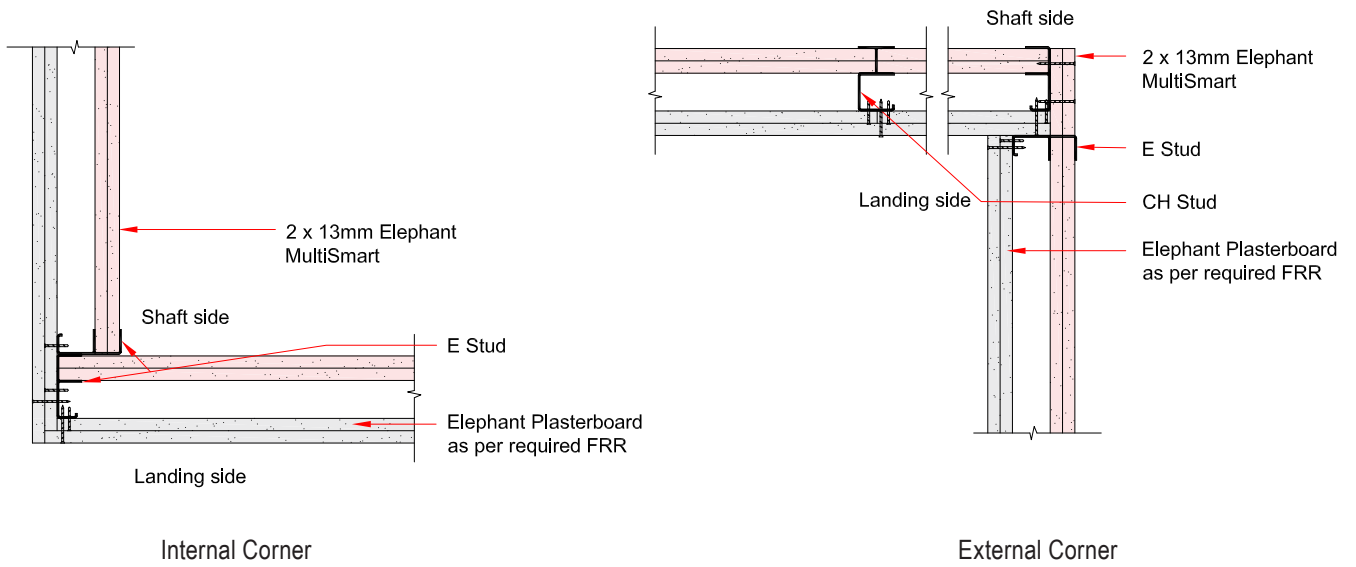
Shaftwall Construction Detail

Plan View

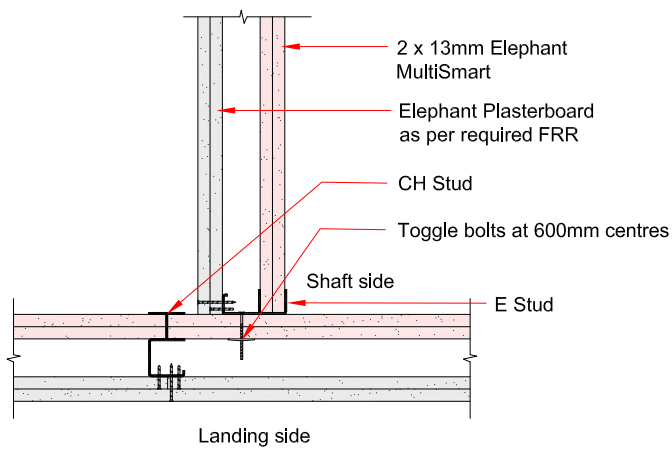


Shaftwall

EFS-305 EFS-306	Shaftwall Corner Junctions
	Plan View



EFS-307	Intersecting Shaftwall Junction
	Plan View



Boundary Wall

Elephant Fire Rated Plasterboard systems may be used for boundary wall (FRR). The boundary wall can be either timber or steel. The definition of a boundary wall is a wall which is 1.0m or less to a delineated boundary refer to NZBC C3.6, C3.7. NZBC Clause C3.3 states that “buildings must be designed and constructed so that there is a low probability of fire spread to other property vertically or horizontally across a relevant boundary”. NZBC clause 3.4 “Performance and NZBC B1.3.3.i,b and 2.2.4 (b) (iii) “a uniformly distributed horizontal face load of 0.5 kPa in any direction.” In other words to put it in simple terms the boundary wall needs fire ratings on both sides of the wall (two way system) the wall must stand so that it won’t fall into a neighbouring property or boundary, fire service personnel will not be endangered by the wall collapsing for the required specified (FRR).

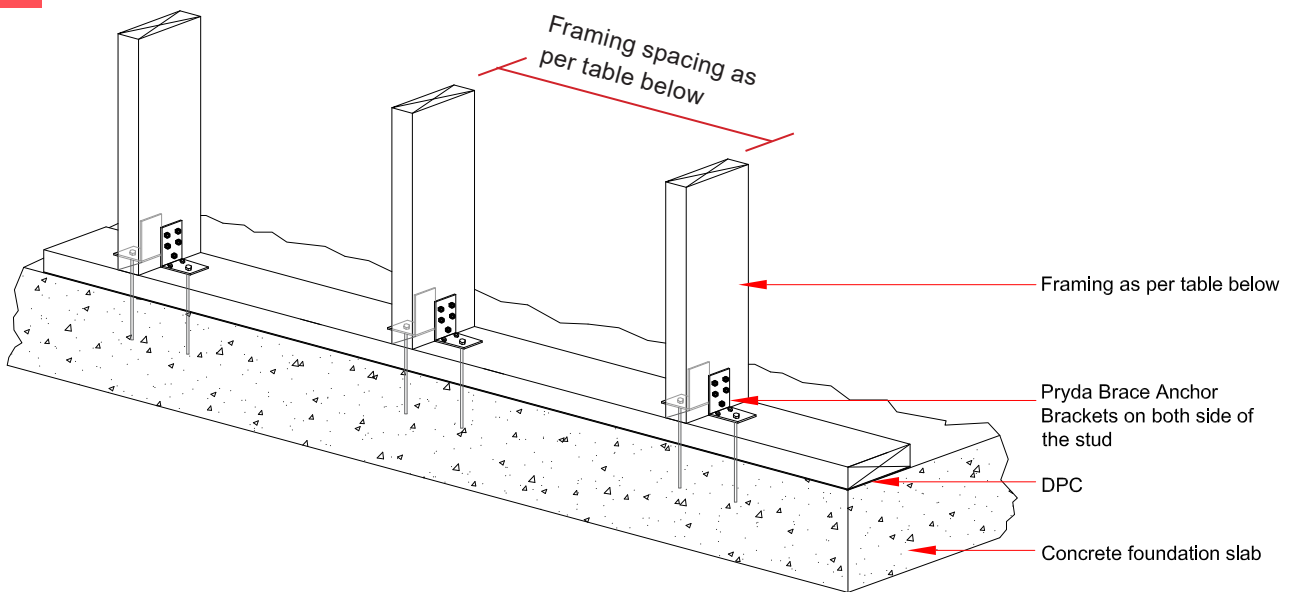
The architect or designer must ensure that the wall has enough structural stability for the required (FRR) in an event of a fire by taking into account the provisions of NZBC clause B1, it may be required that a structural engineer gives guidance.

All timber framing either on timber or concrete floor to the boundary wall to be as per the latest edition of NZS 3604. A boundary wall exterior will require a (FRR) cladding. Limitations of this manual are to NZS 3604 and NASH, for taller buildings (greater than two stores) a structural or fire engineer may need to evaluate the building.

Refer to this manual for exact fixings and layer combinations.

EFS-309

Bottom Plate Fixing



Note:

This detail is only indicative, confirmation will be required by a structural engineer for stability NZBC B1 by designer. Elephant plasterboard (NZ) Ltd accepts no liability if not verified by an engineer

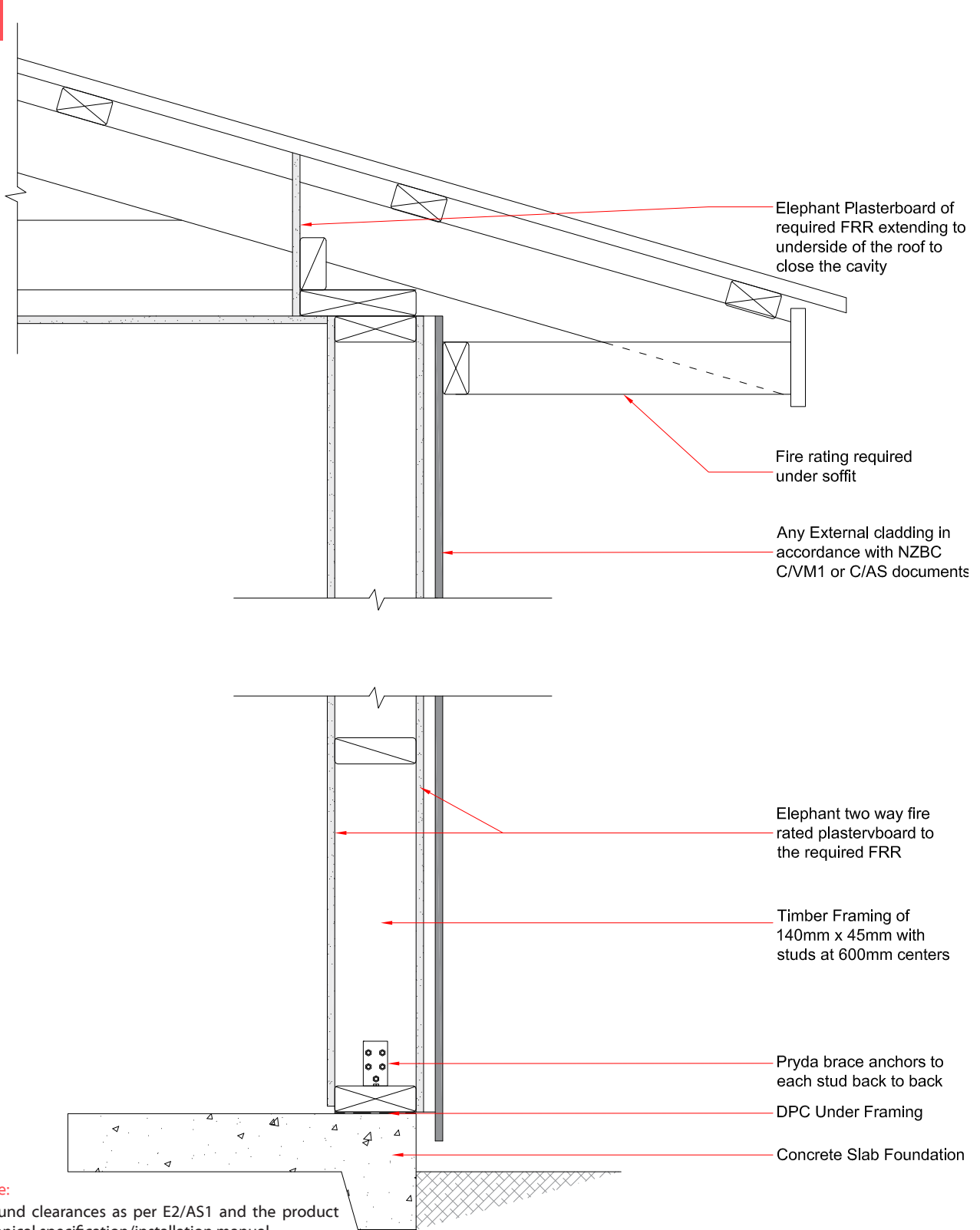
Wall Height max (mm)	2400	3000	3700
Bottom Plate (mm)	90 x 45	140 x 45	140 x 45
Stud Spacing max (mm)	400	600	400
Nog Spacing (mm)	800	800	800
Hold Down brackets	Pryda Brace Anchor to both sides of Stud		



Boundary Wall Detail

EF5-310

Boundary Wall Cross Section



Wall Height max (mm)	2400	3000	3700
Bottom Plate (mm)	90 x 45	140 x 45	140 x 45
Stud Spacing max (mm)	400	600	400
Nog Spacing (mm)	800	800	800
Hold Down brackets	Pryda Brace Anchor to both sides of Stud		



Elephant Plasterboard Product Range

Product Weights and available Lengths

THICKNESS	ELEPHANT PLASTERBOARD PRODUCT RANGE	EDGE TYPE	WIDTH	WEIGHT	LENGTH							
					mm	Kg per m ²	2.4m	2.7m	3.0m	3.3m	3.6m	4.2m
10	Standard	TE/TE	1200	6.9	✓	✓	✓	✓	✓	✓	✓	✓
10	Standard Horizontal	TE/SE	1200	6.9	✓		✓		✓	✓	✓	✓
10	Standard Horizontal - Wide	TE/SE	1350	7.4					✓		✓	✓
13	Standard	TE/TE	1200	8.9	✓	✓	✓	✓	✓	✓	✓	✓
10	CeilingSmart	TE/TE	1200	7.4	✓	✓	✓		✓		✓	✓
10	FireSmart	TE/TE	1200	7.4	✓	✓	✓		✓		✓	✓
13	FireSmart (MultiSmart)	TE/TE	1200	11.8	✓	✓	✓	✓	✓			
16	FireSmart	TE/TE	1200	14.2	✓	✓	✓					
10	MultiSmart	TE/TE	1200	9.0	✓	✓	✓		✓		✓	
10	MultiSmart Horizontal	TE/SE	1200	9.0							✓	
13	MultiSmart	TE/TE	1200	11.8	✓	✓	✓	✓	✓			
10	AquaSmart	TE/TE	1200	8.4	✓	✓	✓		✓			
10	AquaSmart Horizontal	TE/SE	1200	8.4	✓						✓	
13	AquaSmart	TE/TE	1200	11.2	✓	✓	✓		✓			

TE/TE = Tapered Both Edges

TE/SE = Tapered One Edge, Square the Other

Product Primary Functions*

THICKNESS	ELEPHANT PLASTERBOARD PRODUCT RANGE	EDGE TYPE	WIDTH	Horizontal Fixing	Span 600 Centres on Ceilings	Bracing	Fire Resistance	Noise Control	Impact Resistant	Water Resistant
10	Standard	TE/TE	1200			✓	✓			
10	Standard Horizontal	TE/SE	1200	✓		✓				
10	Standard Horizontal -Wide	TE/SE	1350	✓		✓				
13	Standard	TE/TE	1200		✓		✓			
10	CeilingSmart	TE/TE	1200		✓	✓	✓			
10	FireSmart	TE/TE	1200		✓	✓	✓			
13	FireSmart (MultiSmart)	TE/TE	1200		✓	✓	✓	✓	✓	
16	FireSmart	TE/TE	1200				✓	✓	✓	
10	MultiSmart	TE/TE	1200		✓	✓	✓	✓		
10	MultiSmart Horizontal	TE/SE	1200	✓		✓				
13	MultiSmart	TE/TE	1200		✓	✓	✓	✓	✓	
10	AquaSmart	TE/TE	1200				✓	✓		✓
10	AquaSmart Horizontal	TE/SE	1200	✓						✓
13	AquaSmart	TE/TE	1200		✓		✓	✓		✓

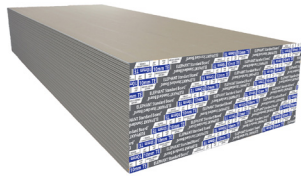
* The above table details the product's Primary functions.

Some products may perform more than the functions indicated



Elephant Plasterboard Product Range

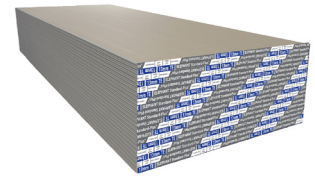
10mm Elephant Standard



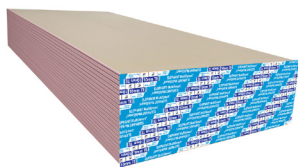
10mm Elephant Horizontal Standard



13mm Elephant Standard



10mm Elephant MultiSmart



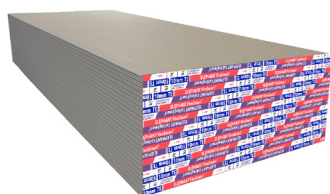
10mm Elephant Horizontal MultiSmart



13mm Elephant MultiSmart



10mm Elephant FireSmart/CeilingSmart



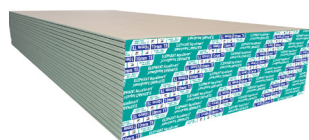
13mm Elephant FireSmart



16mm Elephant FireSmart



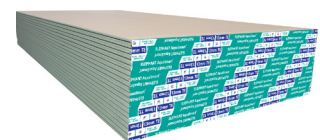
10mm Elephant AquaSmart



10mm Elephant Horizontal AquaSmart



13mm Elephant AquaSmart





Elephant

Plasterboard

STRENGTH WITH STYLE

FOR MORE INFORMATION

EMAIL info@elephantplasterboard.co.nz

CALL 0800 ELEPHANT (353 742)