



Parklane Interiors
AUSTRALIA

PRODUCT FOCUS HOSPITALS / HEALTHCARE



ISO Accreditation

INTRODUCTION	Page 3
ISO Accreditation	Page 4
 CAPABILITY STATEMENT	 Page 7
 Company Profile - Hospitals /Health	 Page 15
The Quicksew eQuote System	Page 20
 TRACKING & BEDSCREENS	 Page 21
Tracking	Page 22
Bedscreens	Page 25
Fabrics	Page 26
Shower Curtains	Page 32
BLINDS & CURTAINS	Page 33
Roller Blinds	Page 35
Vertical, Venetian & Panel Glide Blinds	Page 36
Roman & Pleated Blinds	Page 37
Curtains	Page 38
Pelmets	Page 40
ACOUSTIC SOLUTIONS	Page 41
MEDICAL / BARIATRIC SEATING	Page 49
CHAIRS	Page 53
Timber Chairs	Page 54
Metal Chairs	Page 59
Bar Stools	Page 62
Beam Seating	Page 63
LOUNGES	Page 65
Lounges - Arm Chairs	Page 66
Lounges	Page 69
Benches /Ottomans	Page 78
Banquette Seating	Page 85
BEDROOM	Page 87
Bedside Tables	Page 88
Over-bed Tables	Page 88
TABLES	Page 89
Tables - Dining	Page 90
Tables - Task / Activity	Page 91
OUTDOOR	Page 92
Chairs & Stools	Page 93
Resin Rattan Seating	Page 108
Sunloungers	Page 113
Mykonos Range	Page 115
Table Tops	Page 117
Table Bases	Page 122
Tables	Page 129
Function Tables & Chairs	Page 133
Teak & Wicker Outdoor Collection	Page 136
OFFICE	Page 149
Office Furniture	Page 150
Express Range	Page 156
Locally Upholstered	Page 174

Quicksew established in 1977 is recognized as the market leader in providing furniture and soft furnishing products for hospitals, health and aged care facilities. Quicksew offers a specialized interior service in the selection of appropriate products for your needs at a competitive price to suit your budget. Quicksew uses low maintenance and resilient products that are fully launderable, comply with fire regulations and create a beautiful and practical environment.

The team at Quicksew will work with you on co-ordinating colour schemes, incorporating window furnishings, upholsteries, bedthrows, bedscreens, paint selections and floor coverings.

Major completed projects include:

Royal North Shore Hospital Sydney
Orange Hospital
ACT Women's & Children's Hospital Canberra
Pindara Private Hospital QLD
Royal Children's Hospital Melbourne

Columbia Aged Care
Hakea Grove Aged Care
Twilight Aged Care
The Whiddon Group
Tea Gardens Aged Care

**Curtains • Blinds • Tracking • Privacy Screens • Bedspreads • Furniture
• Soft Furnishings • Interior Design • Concept Creation**



Furniture



ISO Accreditation



NSWBuy
NSW Procurement

Approved NSWBuy Supplier

Quicksew would appreciate the opportunity to be added to your resource library. We are able to provide either a hard or digital copy of our catalogue depending on your requirements.

To view our range or request a copy of our catalogue visit our website or contact our dedicated sales teams, they are always on hand to assist with your current or future requirements

FOR A MORE COMPREHENSIVE PRODUCT RANGE
Visit our website at www.quicksew.com.au



Quicksew Pty Ltd

Best Practice Certification Pty Ltd has assessed the above company as complying with the following management system standard requirements at the address shown.

Standard:	ISO 9001:2015 Quality Management System Requirements		
Scope of Certification:	Quicksew is a manufacturer and installer of bespoke residential and commercial window furnishings (i.e. roller blinds, venetian blinds and curtains). Quicksew is a supplier of fit for purpose fixed furniture/fittings and equipment (FFE) including fabrics, curtains, blinds, artwork, bedspreads, shower curtains, privacy curtains and accessories to aged care facilities, hospitals, commercial buildings, schools and higher education facilities, motels, apartments and residential projects.		
Head Office Address:	16, Bradwardine Rd, Bathurst, NSW 2795, Australia		
Initial Certification Date:	09/10/2019		
Issue Date:	Expiry Date:	Certificate Number:	
11/10/2019	09/10/2022*	63087618639Q	



CERTIFICATION APPROVED:

Kobi Simmat
Managing Director
Best Practice Certification Pty Ltd

**BESTPRACTICE
CERTIFICATION**

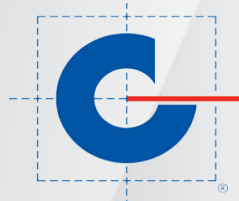


- a» Suite 2, Level 2, Building B
122-126 Old Pittwater Road
Brookvale NSW 2100
- p» 1300 402 602
- w» <https://bestpracticecertification.com.au>



www.jas-anz.org/register

JAS-ANZ



* Subject to regular surveillance audits



Quicksew Pty Ltd

Best Practice Certification Pty Ltd has assessed the above company as complying with the following management system standard requirements at the address shown.

Standard:	ISO 14001:2015 Environmental Management System Requirements		
Scope of Certification:	Quicksew is a manufacturer and installer of bespoke residential and commercial window furnishings (i.e. roller blinds, venetian blinds and curtains). Quicksew is a supplier of fit for purpose fixed furniture/fittings and equipment (FFE) including fabrics, curtains, blinds, artwork, bedspreads, shower curtains, privacy curtains and accessories to aged care facilities, hospitals, commercial buildings, schools and higher education facilities, motels, apartments and residential projects.		
Head Office Address:	16, Bradwardine Rd, Bathurst, NSW 2795, Australia		
Initial Certification Date:	09/10/2019		
Issue Date:	Expiry Date:	Certificate Number:	
11/10/2019	09/10/2022*	63087618639E	



CERTIFICATION APPROVED:

Kobi Simmat
Managing Director
Best Practice Certification Pty Ltd

**BESTPRACTICE
CERTIFICATION**



a» Suite 2, Level 2, Building B
122-126 Old Pittwater Road
Brookvale NSW 2100
p» 1300 402 602
w» <https://bestpracticecertification.com.au>



www.jas-anz.org/register

JAS-ANZ



* Subject to regular surveillance audits



Quicksew Pty Ltd

Best Practice Certification Pty Ltd has assessed the above company as complying with the following management system standard requirements at the address shown.

Standard:	AS/NZS 4801:2001 OH&S Management System Requirements		
Scope of Certification:	Quicksew is a manufacturer and installer of bespoke residential and commercial window furnishings (i.e. roller blinds, venetian blinds and curtains). Quicksew is a supplier of fit for purpose fixed furniture/fittings and equipment (FFE) including fabrics, curtains, blinds, artwork, bedspreads, shower curtains, privacy curtains and accessories to aged care facilities, hospitals, commercial buildings, schools and higher education facilities, motels, apartments and residential projects.		
Head Office Address:	16, Bradwardine Rd, Bathurst, NSW 2795, Australia		
Initial Certification Date:	09/10/2019		
Issue Date:	Expiry Date:	Certificate Number:	
11/10/2019	09/10/2022*	63087618639S	



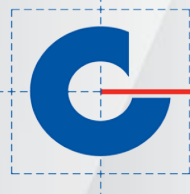
CERTIFICATION APPROVED:

Kobi Simmat
Managing Director
Best Practice Certification Pty Ltd

**BESTPRACTICE
CERTIFICATION**



JAS-ANZ



www.jas-anz.org/register

- a» Suite 2, Level 2, Building B
122-126 Old Pittwater Road
Brookvale NSW 2100
- p» 1300 402 602
- w» <https://bestpracticecertification.com.au>

* Subject to regular surveillance audits

Company Profile

From concept, through to design and completion, Quicksew provides high quality, beautiful, functional furniture and soft furnishings for your project, on time and within budget.

About Quicksew

Quicksew was established in 1977 by the White family as a soft furnishings manufacturer and has since developed into a nationwide concept, design and installation specialist of furniture and soft furnishings for a range of industry sectors including:

- Health and Aged Care:
- Commercial and Building:
- Educational; and
- Hospitality sectors.

In the 40 years of trading, we have gained industry knowledge and experience that we share with key decision makers and industry stakeholders through personal consultations, trade shows and exhibitions.

Our dedicated Sales & Marketing Team and Operations Team offer professional and informative concepts, design solutions, manufacture, and delivery from single item products to complete design and fit-out of furniture, window treatments, fittings and soft furnishings for new builds, renovations and refurbishments. We work within the customer's time and budget constraints to deliver products and service of the highest quality and excellence.

Our focus on providing excellent service is driven by our commitment to working with new and existing customers to help them create beautiful and functional spaces to enhance the experience of the individuals who use them.

Location and Service Area.

With the Quicksew head office and factory located in Bathurst in the Central West of NSW, our service provision extends to Queensland, NSW, ACT, Victoria and beyond. Our Sales Team will travel anywhere in Australia to introduce our business and work with customers. We arrange personal visits to ensure that we gain the best possible background knowledge to create a design concept that is unique. We do not just supply, deliver and install products, we help our customers make appropriate and practical choices. Our service is customised to meet individual needs and requirements using the latest design trends, textiles and products to create beautiful functional environments that are safe, aesthetically pleasing and financially viable.



Mission Statement

"To maintain our position as a leading manufacturer of curtains, blinds and soft furnishings, concept creator and supplier by continually enhancing and updating our product range and level of service to provide customers with unique and functional spaces."

To help us achieve our mission statement, we aim to:

- Provide the latest product information and technology
- Create schemes that are aesthetically pleasing yet functional that work within the customer's budget
- Manufacture curtains, blinds and soft furnishings of exceptional quality and finish
- Support Australian made furniture manufacturers as a priority
- Source and supply only the finest quality furniture that is durable, stylish and comfortable using resilient fabrics of the latest design
- Work within an Integrated Management System framework as a commitment to the International Standards for Quality Management ISO 9001:2015; Environmental Management ISO 14001:2015; and AS/NZS 4801:2001 Australian/New Zealand Occupational Health & Safety.

Continual research to find new suppliers and the latest advancements in products ensures that Quicksew is a leading supplier of furniture and soft furnishings. Constant contact with suppliers keeps us up to date with any advancements in product technology, performance and manufacturing.

Consultation, Supply and Installation Process

Quicksew is committed to building great relationships and offering personal attention to new and existing customers. The following procedure outlines the Quicksew process from initial customer contact to delivery and installation of product.

Step 1. Initial contact

Customers can contact Quicksew in person by visiting our Head Office Showroom in Bathurst or by telephone, email or via our website - www.quicksew.com.au. Our sales and marketing team actively seek out new and existing customers through email, telephone and personal contact.

Step 2. Introduction to Quicksew services and site consultation

A Quicksew representative arranges an appointment to meet with the prospective client to introduce our products and services utilising our catalogue, product samples and website. They will engage in discussion about site specifications, budget and any initial customer design ideas. We listen to the customer's requirements and needs so that we may supply the best product options that are fit for purpose.

Step 3. Sharing of information - Site plans, schedules and timeframe

Information is shared in person, online, via telephone, video conferencing and through emails. The customer will be asked for all available information about the site including plans/drawings, schedules/design brief or specifications and the timeframe for works completion.

Step 4. Estimating & quoting - quantifying & preliminary pricing

Based on the design brief, our estimating staff quantify products and fabrics and work out a preliminary quote that best reflects the customer's needs within budget. This is taken back to the customer for discussion and approval.

Step 5. Design concept & colour boards

Our design team put together colour and design concepts that reflect the look & feel that the customer is trying to achieve. Fabrics and products are showcased on colour boards as a visual representation of the initial quote. During the presentation, we seek feedback from the customer and offer alternatives and solutions before a decision is made.

Step 6. Final quote & customer commitment – Letter of Intent/Purchase Order

Once the final colour, fabric and product selections have been made, the final quote is sent to the customer for approval and supply timeframes discussed again. The customer then accepts the quote and commits to the sale.

Step 7. Handover to production

Upon receipt of either a letter of intent or purchase order, the quote is handed over to the Operations Department where it is entered as a sale and a deposit invoice raised and sent to the customer. The Operations Manager will contact the customer to arrange a final check measure. The project timeframe, site access and currency of plans will be discussed with the customer at this point.

Step 8. Ordering & manufacturing

Once the deposit has been received, the quoted products are ordered and manufactured. The customer will be notified if there are any supply issues regarding fabrics or product and if necessary, an alternative product offered. During the manufacturing and receipt of goods, all products are inspected for quality assurance to make sure they meet specifications. Furniture is stored at Quicksew's freight facility until all items on the quote are complete and ready for delivery.

Step 9. Delivery & installation

The Operations Manager will contact the site to arrange a suitable and convenient time for installation of window treatments and the delivery of furniture. Please note that the extent of furniture placement is dependent upon the initial agreement during consultation and acceptance of the quote terms and conditions.

Company Details

Company/trading name:	Parklane Interiors Australia Pty trading as Quicksew
ABN:	63 087 618 639
Date of company formation:	1977
Number of employees:	16 full-time staff and 4 casuals
Address:	16 Bradwardine Rd Bathurst NSW 2795
Contact details	Jonathan White Managing Director 16 Bradwardine Rd Bathurst NSW 2795 Phone: 02 6332 2144 Email: jwhite@quicksew.com.au
Liability status:	Proprietary Company
Details of owner:	Jonathan & Margaret White
Accountancy representation:	Pigot Miller Wilson Accountants and Advisors

Core Competencies & Organisational Achievements

To ensure ongoing quality of service and products, Quicksew implements an Integrated Management System and has achieved Best Practice certification for compliance with the three major International Standards for quality, safety and the environment.

ISO 9001:2015 – Quality Management System

ISO 4801:2001 – OH&S Management System

ISO 14001:2015 – Environmental Management System



Statements of Certification for each Standard included herein.

ISO Standards

The International Organisation for Standardisation (ISO) is an international standard-setting body composed of representatives from various national standards organisation. ISO International Standards ensure that products and services are safe, reliable and of good quality. For business, they are strategic tools that reduce cost by minimising waste and errors and increasing productivity.

By doing this, we have made a commitment that our company adheres to the requirements of the standards and takes into account

- the Quality Assurance and Management of business operations;
- the Environmental Aspects of the business to ensure we minimise or eliminate potential environmental impacts whilst maximising improvement and efficiency in the workplace; and
- the WHS hazards of the business to ensure we minimise or eliminate potential workplace injury and illness whilst maximising improvement and efficiency in the workplace.

NSW Government Accredited Supplier

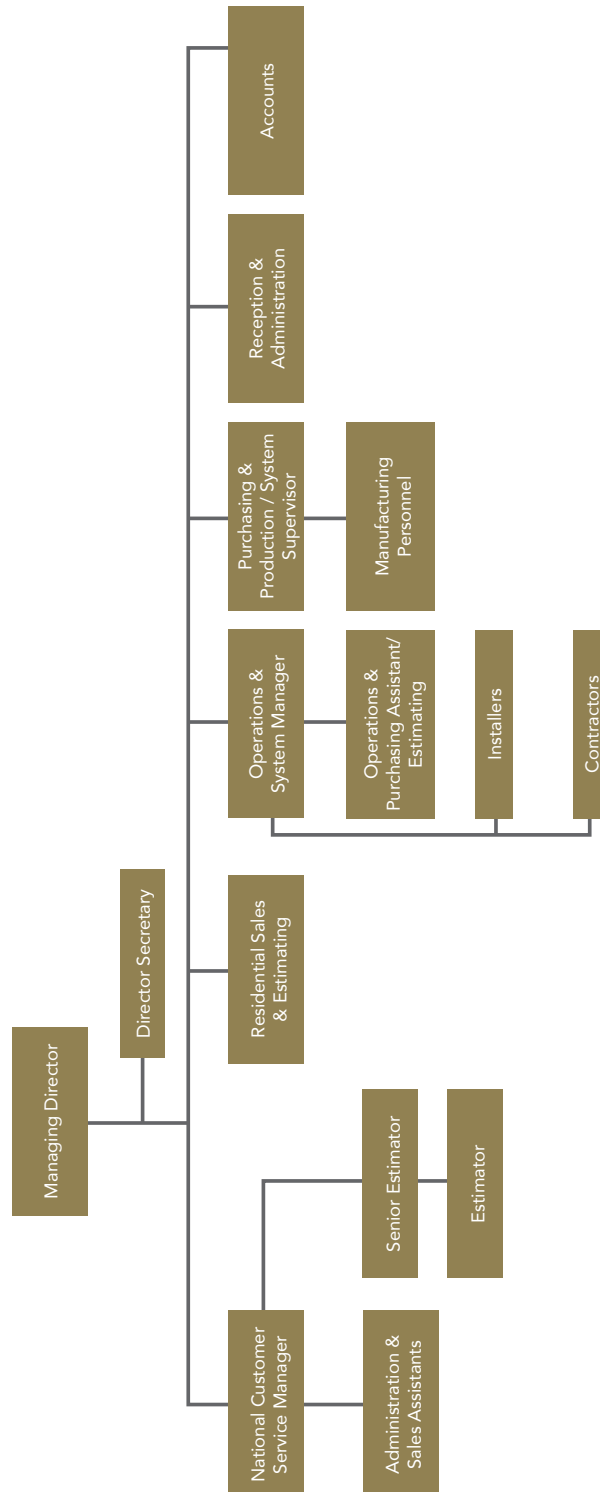
Quicksew is an approved supplier for NSW Government institutions and facilities through their NSWBuy Portal.



Personnel Profile

<p>Jonathan White Managing Director</p> <p>Margaret White Executive Secretary</p>	<p>Present owner and operator, Jonathan White has been Managing Director since 2000 when he bought the business from his brother. He and his wife Margaret, have built the business from a small manufacturer for the domestic and commercial market, to a leading manufacturer and supplier of curtains, blinds, furniture and accessories for hospitals, aged care facilities, schools, large scale commercial projects and hotel/motels.</p> <p>It is Jonathan's understanding of, and expertise in the industry that has driven the growth of the business.</p>
<p>Gaylene Anderson Operations Manager</p>	<p>Gaylene joined the Quicksew team in February 2015. Her experience in project management and site knowledge ensures high levels of management and involvement in all operational aspects of the business.</p>
<p>Reception</p>	<p>Inward correspondence whether by telephone or email is directed through reception. Enquiries and business is directed to the relevant staff member for action or follow up.</p>
<p>Sales, Marketing & Estimating Team 8 staff members Residential Commercial Health and Ageing</p>	<p>The Quicksew Sales Team continuously engage all stakeholders in meaningful consultation and communication about the latest technology and developments in products, design solutions and manufacturing. They work with the customer to provide information about single item products or the complete design and fit-out of furniture, window treatments, fittings and soft furnishings for new builds, renovations and refurbishments. Our sales team work within the customer's specifications, time and budget constraints to supply products and service of the highest quality and excellence.</p> <p>Their focus is to build and maintain relationships with key people including Head Office contacts, Architects, Facility Managers and Procurement Officers.</p> <p>Utilising their knowledge of product and fabrics, the Estimating Team correlates the information gathered through consultation with the customer and Sales Team to work out the costs of supply and installation.</p> <p>All prospective customers receive a detailed quote which is emailed, posted or hand delivered depending on the customer's expectations and requirements.</p>
<p>Operations and Production 9 staff members</p>	<p>Operations and Production Staff are responsible for the purchasing, ordering of raw materials, manufacturing, delivery and installation of customer orders.</p> <p>Working within Quicksew's Quality Management System ensures that products are manufactured, supplied and delivered to specification and of the finest quality and standard.</p> <p>Customer liaison is key to successful completion of projects and all communication is directed through the Operations Manager.</p>
<p>Installation Team</p>	<p>Supervised by the Operations Manager, products are installed by experienced and capable technicians and tested on site. Upon completion of installation, products are signed for by the customer.</p>

Quicksew
Organisation Chart



Products & Services

Quicksew has a proven reputation for the provision of versatile window furnishings, soft furnishings and furniture for hospitals, health and aged care facilities, commercial premises, educational facilities, hotel/motels, serviced apartments and resorts.

Quicksew Manufactured Products

Quicksew manufactures products of the highest quality using an extensive variety of innovative and stylish fabrics to suit any budget or application, and includes the following range of products:

Curtains – curtains, stage curtains, pelmets, swags and tails, bedscreens and shower curtains
Blinds – chain drive or motorised roller blinds, Roman blinds and hand drawn vertical blinds
Soft furnishings – bedthrows, bed runners, valances, indoor and outdoor cushions

Our great rapport with fabric manufacturers and suppliers ensures that we have access to the latest technological developments available, such as:

- acoustic management,
- thermal performance,
- infection control; and
- digital printing technology

Outsourced Products

We also offer an extensive range of window treatments and soft furnishings through sourcing and supplying products from other leading industry manufacturers and wholesale suppliers, which include

- Curtain tracks – including standard window track, S – Wave systems, stage tracks and motorised tracks
- Hospital tracks – including quick release and anti-ligature systems, IV tracks and shower tracks
- Venetian blinds – both timber and PVC
- Panel glides
- Shutters & awnings
- Bed Linen and manchester – including bedspreads either quilted or non-quilted, quilt inserts, sheets, pillows, pillowcases, blankets, mattress protectors and shower curtains
- Accessories such as lamps and lighting, mirrors, artworks and ornaments

Quicksew is a preferred supplier for the following manufacturers of window covering systems:

- Verosol – roller blinds, roman blinds, venetian blinds, and pleated blinds
- Vertilux – roller blinds
- Helioscreen – roller blinds and outdoor awnings

Furniture

We source exceptional quality indoor and outdoor furniture and work closely with Australian manufacturers to provide furniture that is fit-for-purpose, stylish and comfortable. We can adapt existing designs to meet special needs. Our range includes -

- Medical & bariatric products
- Bedroom sets including matching head & footrest, bedside tables, chest of drawers and mattresses
- Beds – standard or specialist beds and accessories
- Lounges, chairs, ottomans, dining settings, occasional tables and furniture
- Office furniture, task chairs & beam seating
- Outdoor chairs and tables

Services Offered

Our services include:

- Consultation with customers and industry stakeholders regarding the choice of colour palette and design concept presentation of design concepts to stakeholders and key personnel.
- Assistance with fabric and furniture selection that is fit for purpose, resilient, low maintenance, easy to clean, compliant with fire, health and safety regulations and environmentally conscious.
- Manufacturing of curtains, blinds and soft furnishings; purchasing of specialist indoor and outdoor furniture and products; and coordination of product delivery, project installation and fit-out.

View the entire Quicksew range or download our catalogue on our website www.quicksew.com.au.

Contact Details

Please see our contact details below:

Head Office:

16 Bradwardine Rd
Bathurst NSW 2795
Phone: 02 6332 2144

Reception	reception@quicksew.com.au
Jonathan White	jwhite@quicksew.com.au
Aaron White	awhite@quicksew.com.au
Janine Cox	jcox@quicksew.com.au
Gaylene Anderson	ganderson@quicksew.com.au
Samantha Mossman-Riley	sriley@quicksew.com.au



HOSPITALS / HEALTH

Project: Royal North Shore Hospital
Client: Thiess

“

Quicksew secured the contract for the supply of all blinds, tracking and bedscreens for the project as a result of not only a competitive tender, but also a most thorough and professional attention to detail and presentation of their tender package.

..... Quicksew's advice and willingness to assist the Project Interior Designers regarding fabric selection and design of the bedscreens including development of numerous prototypes was invaluable.”

Carinne Watson
Health Facility Planner, THIESS PTY LTD

Quicksew has a proven reputation for the provision of soft furnishings and furniture for hospitals and health care facilities including complete fit outs and refurbishments, supplying resilient, low maintenance products that are fit for purpose, fully launderable, comply with fire regulations and create an attractive, tranquil and practical environment for staff and patient care.

Quicksew would like to be placed on your register for future projects or refurbishments. With our industry knowledge we would be most happy to price any requirements you have for your project.

• Blinds • Bedscreens • Furniture • Tracking • Curtains • Sofas and Chairs



Project: Royal North Shore Hospital
Client: Thiess



Project: Royal North Shore Hospital
Client: Thiess



Project: Prince of Wales Neurosciences Randwick
Client: Richard Crookes Constructions



Project: Medica Centre
Client: Hansen Yuncken



Project: Royal Prince Alfred
Client: Richard Crookes Constructions



Project: Royal Childrens Hospital
Client: Lend Lease

Our Projects

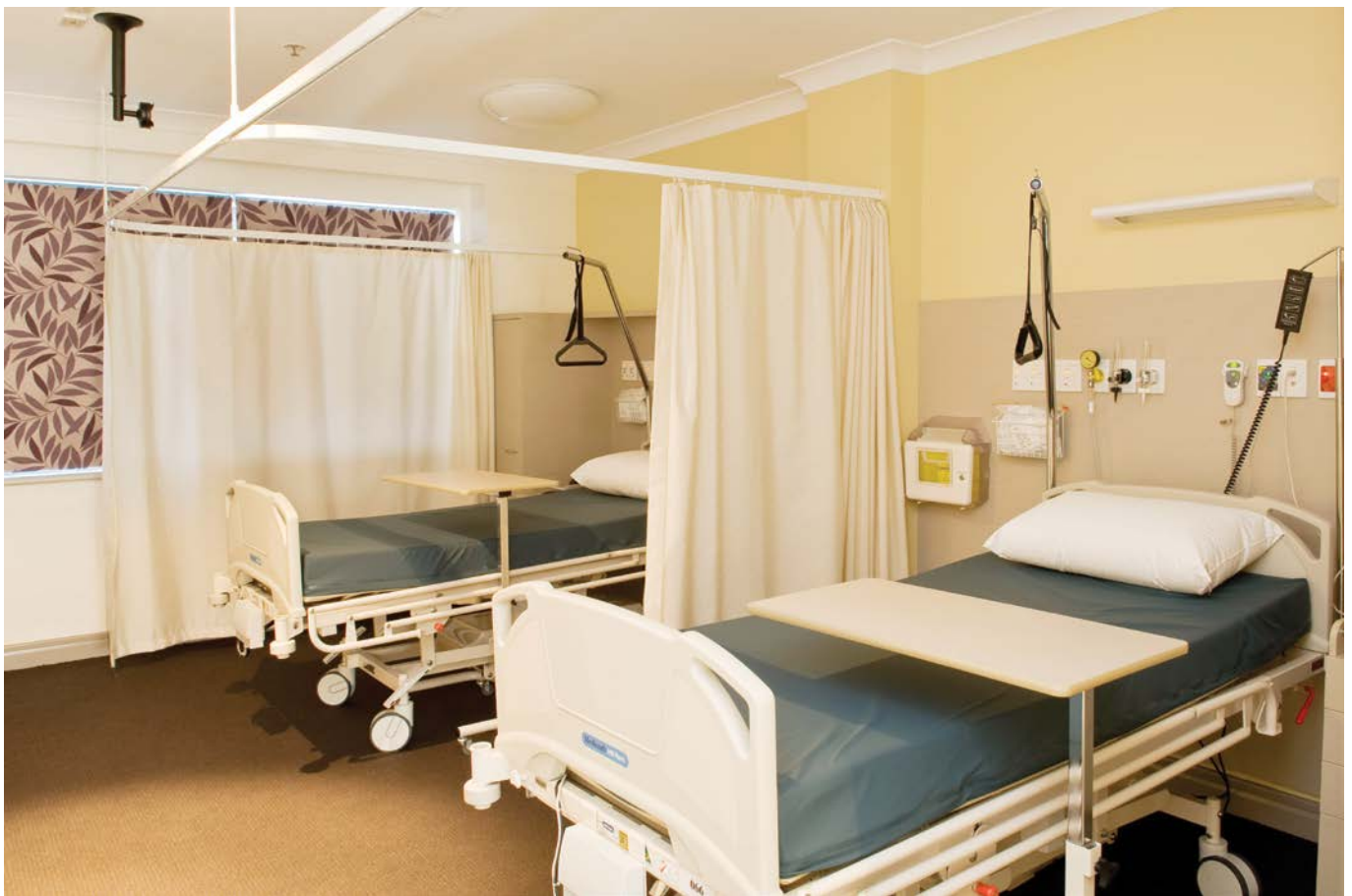
Royal North Shore Hospital
ACT Health Supply
ACT Womens and Childrens Hospital
Albury Wodonga Private Hospital
Allcare Medical Centre
Annerley Skin Clinic
Armidale Hospital
Armidale Private Hospital
Balranald Hospital
Baringa Private Hospital
Bathurst Ambulance Station
Bathurst Base Hospital
Bawunga GP Super Clinic
Belconnen Health Centre
Belmont Hospital
Berkley Vale Private
Bicentennial Eye Hospital
Blacktown Hospital
Blacktown MRC
Bloomfield Hospital, Orange
Bloomfield Pine Lodge
Boorowa Hospital
Bowral Hospital
Braidwood Hospital
Braidwood MPS
Bulahdelah Hospital
Bulli Hospital & Aged Care Centre of Excellence
Cairns Private Hospital
Calvary Health Kogarah
Calvary Private Hospital
Campbelltown Hospital
Campbelltown Private Hospital
Canberra Hospital
Castlecrag Private Hospital
Concord Hospital
Coolah Hospital
Cooma Hospital
Coonamble Hospital
Cowra Hospital
Cowra Medical Centre
Dubbo Hospital
Dubbo Mental Health
Dubbo Private Hospital
Dudley Private
Dunedoo Health Service
Eugowra Hospital
Fight Cancer Foundation Albury
Garvan Institute of Medical Research
Genesis Cancer Care QLD
Gilgandra Medical
Gosford Hospital
Gosford Private Hospital
Greater Southern Area Health Service

Greater Western Area Health Service
Greenslopes Private Hospital
Griffith Base Hospital
Harden District Hospital
Harden Multi Purpose Service
Health One Blayney
Healthscope
Hillcrest Rockhampton Private Hospital
Hills Private hospital
Hirondelle Private Hospital
Hornsby Ku-ring-gai Hospital
Hunter Aust Skin Cancer Clinic
Hunter New England Area Health
Hunter New England Health
Hurstville Private Hospital
IPN Darwin
IPN Gungahlin
IPN Ipswich, QLD
IPN Kingborough, TAS
IPN Kingswood
IPN Mermaid Beach, QLD
IPN Neutral Bay
IPN Nerang QLD
IPN Noble Park VIC
IPN Prospect
IPN Recliffe Super Clinic
James Fletcher Hospital
John Hunter Hospital
Kempsey Hospital
Kinghorne Cancer Centre
Lady Davidson Private Hospital
Lawrence Hargrave Private
Lingard Private Hospital
Lismore Private Hospital
Lithgow Community Private Hospital
Lorne Community Hospital
Mackay Private Hospital
Macksville Hospital
Macquarie Hospital
Maitland Hospital
Maitland Private Hospital
Maitland Skin Cancer Clinic
Mater Hospital
Maynooth Neurology, Orange
Mclean Hospital
Missendon Medical Centre
Mosman Private Hospital
Muswellbrook Hospital
Mt Wilga Private Hospital
Mudgee Hospital
Naranderra Health Service
Narrabri Hospital
National Capital Private Hospital
Nepean Hospital
Nepean Private Hospital
Northern Beaches Hospital

Northpark Private Hospital
Norwest Private Hospital
Nowra Oral Health Clinic
Nyngan Family and Community Centre
Oberon Hospital
Orange Aboriginal Medical Centre
Orange Hospital
Orange Medical Centre
Parkes Hospital
Peak Hill MPS
Pindara Gold Coast Private Hospital
Port Macquarie Hospital
President Private Hospital
Prince of Wales Hospital
Prince of Wales Medical Research
Queanbeyan Hospital
Ramsay Health
Redfern Community Health Centre
Regent Street Physiotherapy
Reliance GP Super Clinic
RNS Clinical and Acute Services
Royal Childrens Hospital Melbourne
Royal Prince Alfred
Ryde Hospital
Rylstone Hospital
Sale Street Surgery
Shellharbour Hospital
Somerset Private Hospital
Sonic Health Care
Southern Highlands Private
Springwood Hospital
St George Hospital
St Vincents Private
St Vincents Private Bathurst
St Vincents Sydney
Sutherland Hospital
Sydney Childrens Hospital
Sydney Southwest Private
The Hills Clinic
The Valley Private Hospital
Tomaree Hospital
Tottenham Health Service
University of Canberra Public Hospital
University of Sydney CODCD
Victorian Rehab Centre
Wagga Wagga Hospital
Walgett Aboriginal Medical Centre
Walgett Multi Purpose Service
Warren Medical Centre
Warrigal Private Hospital
Wauchope Hospital
Westmead Private Hospital
Wyong Hospital
Young Hospital



Tracking & Cubicle Screens





Tamworth Hospital



Tamworth Hospital



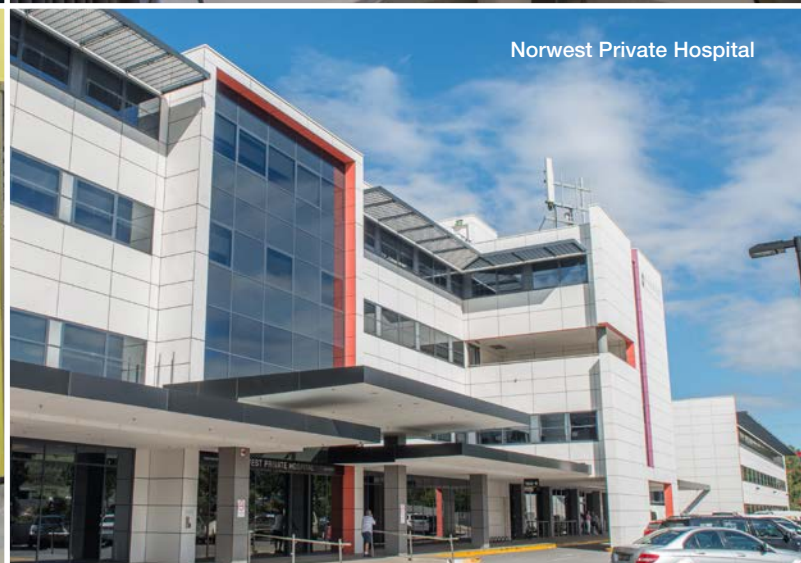
Hornsby Hospital



Hornsby Hospital



Macquarie Hospital



Norwest Private Hospital



UTS Broadway



Parkes Hospital

Quicksew
total concept creations

Parklane Interiors
AUSTRALIA



eQuote
SYSTEM

Online Product Quoting Tool



NSWBuy
NSW Procurement

Approved NSWBuy Supplier

HOW IT WORKS...

Streamline your quote requests with Quicksew



1

Go to our website www.quicksew.com.au, select "Commercial" and browse our extensive range of products from the dropdown menu.

2

Make your selection, choose a quantity and select "Add to quote" You can then add other products to your quote as required.

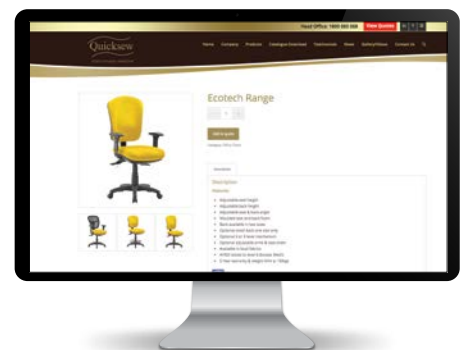
3

Simply select the "View eQuotes" button at the top of the page, fill in your details along with any other relevant information and click "Send Your Request" It is that simple!

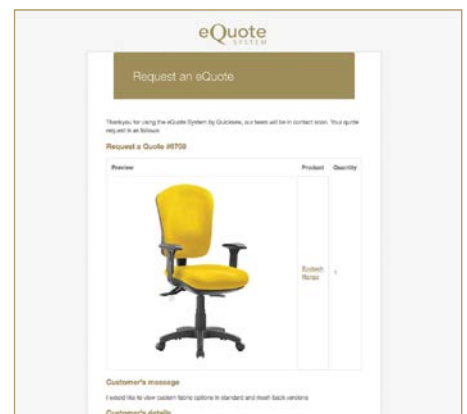
You will receive a confirmation email with the quote details and our team will be in touch to discuss options and pricing.

Need to know more?
Call our experienced team on 1800 065 068

eQuote
SYSTEM



eQuote - Easy Online Quoting Tool



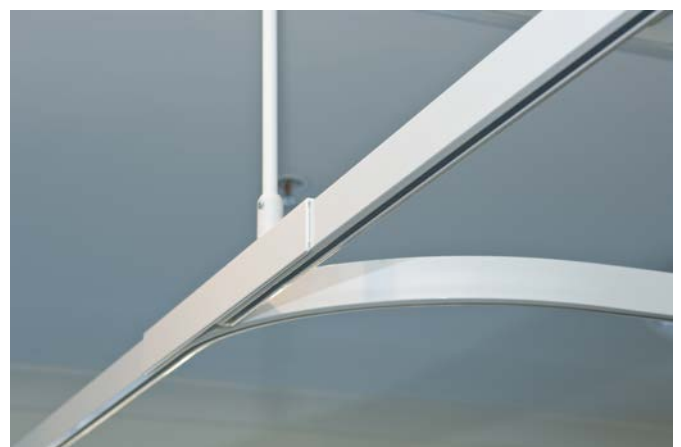
Example eQuote email



TRACKING & BEDSCREENS

Tracking

Quicksew supply and install quality Tracking for commercial applications. Our range features options to suit for both style and practicality.



Quicksew Series 50

The track is slim and compact yet strong and reliable. Now with the Easy Clip brackets and covers.

Usage: Suitable for both S-Fold and conventional Hand Drawn light to medium weight curtains in both domestic and commercial applications.

Dimensions: 16mm x 15mm

Bending: Can be bent at 100mm radius or continuous curve

Control: Hand operation

Colour: available in White, Platinum and Black.



Quicksew Series 70 Recess Track - Standard or S-Wave

Recess Track is designed for top fixing directly into the Gyprock ceiling lining, with the edge of the Gyprock sitting on the flange of the track, so the curtain appears to fall directly out of the ceiling.

Features:

- Pre-drilled every 150mm for ease of fixing through the track.
- Small overall dimension so not visible within the room, but strong enough to handle medium to heavy curtains.
- Suitable for both conventional and S-Wave curtains.
- Bent to a tight radius of 150mm.
- Track length 6m can be butted together for longer installations.
- Suitable for Clear Wave Tape only.

Bending: Can be bent at 150mm radius



Quicksew Series 97 Fixed & Moving Rail Hospital Track

Series 97 hospital tracking is available as either a fixed or moveable rail system. Curtain loading cartridges and an intravenous drip carrier system makes the Series 97 hospital tracking system a very versatile system ideal for public and private hospitals, nursing homes, clinics, and doctors surgeries.

Made from aluminium extrusion. Thick walled construction, complemented with solid bracketing and fixing attachments makes Series 97 hospital tracking a strong system which will give years of trouble free service.

Dimensions: 20 x 36mm

Colour: Available in clear anodized and white powdercoated finishes.



Quicksew Series 98 Mini Hospital Tracking

Dimensions: 20mm x 25mm

Colour: Available in clear anodized and white powdercoated finishes.



HOSPITAL TRACKING ACCESSORIES

IV Tracking

Our versatile IV Tracking allows IV units to be moved quickly and safely on existing tracking or on our fixed IV track. Units are available fixed or with telescopic adjustment.



Cassette Complete



IV Tree Carrier



Five point IV tree - adjustable



CRP Curtain Release point

EZR Curtain Changing System



EZR Insert kit
Complete white joiner Bar



EZR Change Arm Kit



EZR Drilling Jig

Other:
Suspension Kit
CRP Curtain Release Point

Available in a range of sizes and fully customised to your individual requirements.



Quicksew supplies Bed Screens Australia wide. We have a comprehensive range of colours and size options, complementing stylish patterns to suit any fitout.

Our fabrics are fire retardant, easy to launder, wide width, available with an antimicrobial finish and ideal for health care applications.

AVAILABLE SIZES:

2.5 m, 3.0 m, 3.5 m, 4.0 m, 4.5 m, 5.0 m - other sizes available on request.



Fire Retardant



Machine Washable



Suitable for Hospitals



Suspended Tracking



Ceiling Fixed with Mesh



Ceiling Fixed & Cubicle Screen





THE HOSPITAL COLLECTION

Furnishing textiles in hospital applications need to look beautiful but also function in tough environments. We have curated our collection in colour groups for easy specification.

HIGH-SPEC CUBICLE SCREENS

- Antimicrobial
- Flame Retardant
- Washable in commercial laundries
- Reversible
- Wide Width
- Custom colours available

WATERPROOF + FAUX LEATHER UPHOLSTERY

- Antimicrobial
- Cleanable
- Flame Retardant
- High abrasion



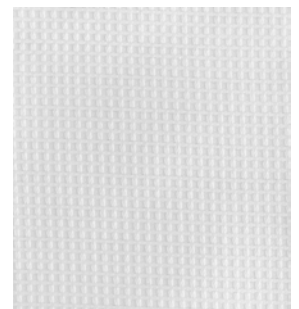
Bentis
Stone



Waffle
Natural



Canasta
White



Waffle
Ice



Trellis
Ash



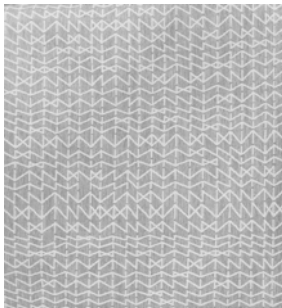
Stream
Gull



Untangled
Pearl



Canasta
Stone



Zed
Galvanised



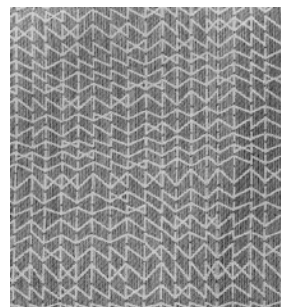
Interchange*
Steel



Bentis
Pewter



Stream
Pluto



Zed
Graphite



Trellis
Cloudburst

** Gradient pattern.
Please note: Designs are shown railroaded & are not to scale*



Stream
Candle



Circulon
Buff



Canasta
Pearl



Interchange*
Stone



Zoot
Neutral



Zed
Stone



Canasta
Dune



Trellis
Almond



Untangled*
Mocha



Circulon
Quarry



Untangled*
Pebble



Bento
Natural



Trellis
Nut



Bento
Pumpnickel

** Gradient pattern.
Please note: Designs are shown railroaded & are not to scale*



Stream
Poise



Circulon
Ocean



Stream
Pool



Canasta
Storm Blue



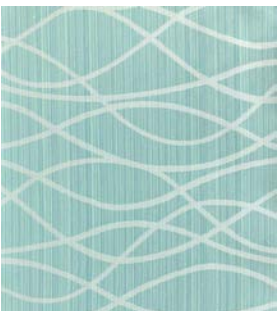
Stream
Bluegrass



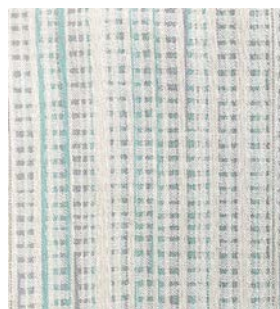
Circulon
Emerald



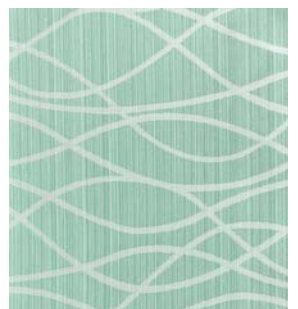
Bento
Coastal



Interchange*
Breakwater



Zoot
Turquoise



Interchange*
Glass



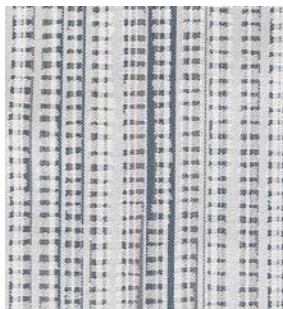
** Gradient pattern.
Please note: Designs are shown railroaded & are not to scale*



Bento
Frost



Canasta
Undersea



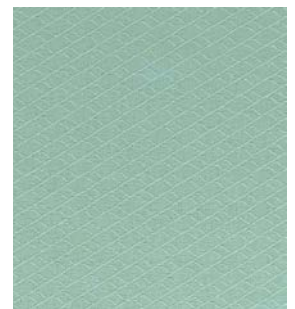
Zoot
Surf



Interchange*
Avalon



Stream
Mint



Canasta
Monaco



Bento
Foam



Stream
Glaze



Bento
Lime Twist



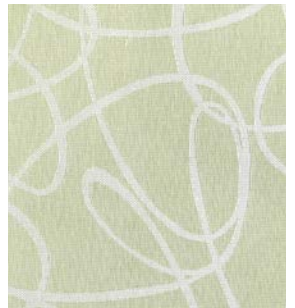
Stream
Khaki

** Gradient pattern.*

Please note: Designs are shown railroaded & are not to scale



Bento
Olive



Untangled*
Touch Of Lime



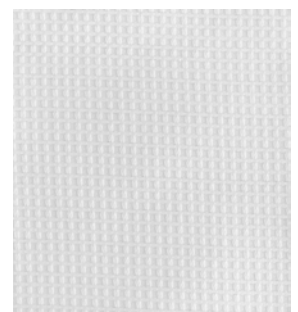
Bento
Stone



Waffle
Natural



Canasta
White



Waffle
Ice



Trellis
Ash



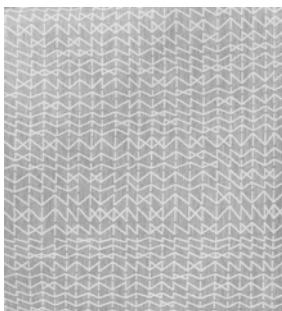
Stream
Gull



Untangled
Pearl



Canasta
Stone



Zed
Galvanised



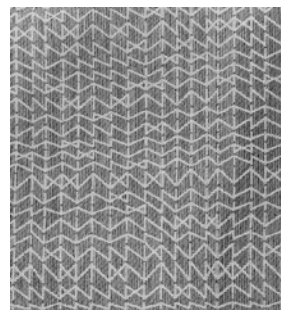
Interchange*
Steel



Bento
Pewter



Stream
Pluto



Zed
Graphite



Trellis
Cloudburst

** Gradient pattern.
Please note: Designs are shown railroaded & are not to scale*

Showerguard

Showerguard is a fabric designed for shower curtains and is sold by the metre enabling the manufacture of custom sizes. Available in 2 neutral colours together with a Teflon finish, Showerguard will suit any bathroom setting.

Specifications

Fabric Width: 183cm

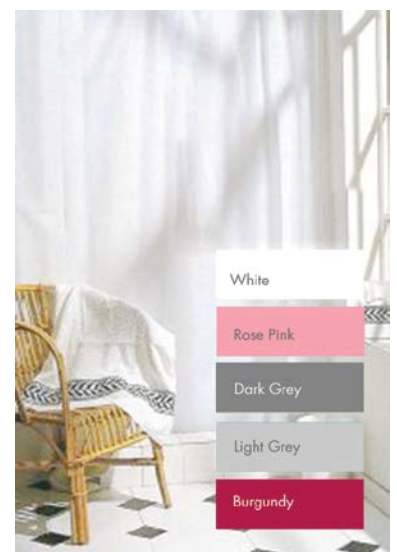
Composition: 100% Polyester

Flammability: AS/NZS 1530 pt 2



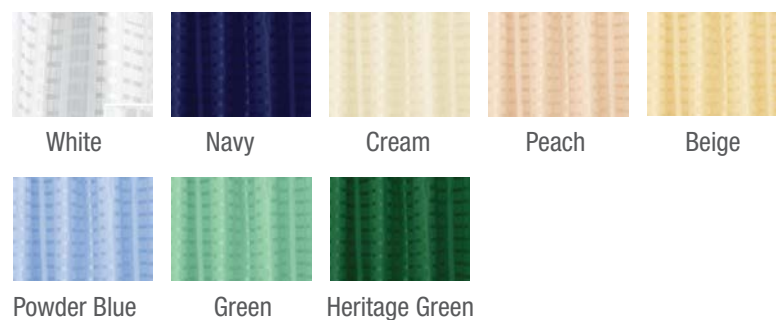
Taffeta Shower Curtains

Available in 6 stylish colours.

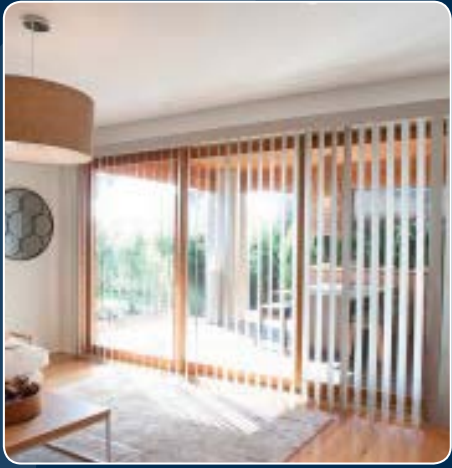


Boxstripe Shower Curtains

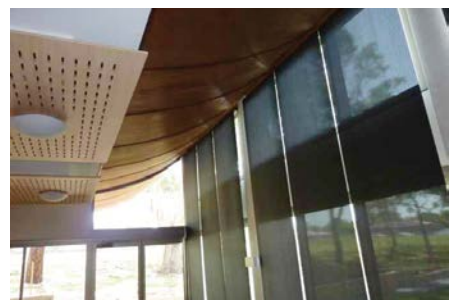
- Water resistant.
- Anti-bacterial.
- Available with both weighted or unweighted hems.
- Able to be custom made.
- Available in a large range of colours.



Custom Prints also available, please inquire.



BLINDS & CURTAINS



Roller Blinds

With an extensive range of fabric and colour choices, roller blinds offer you a versatile solution for your window furnishing requirements.

Available in blockout, light filtering, sunscreen or a combination of both – one for day, one for night. With chain drive, linked, twin, spring assist and motorisation, roller blinds offer an affordable, practical and versatile window covering solution.



Options:



Twin Systems



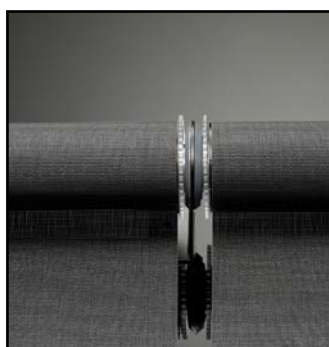
Chain Drive



Motorised



Remote control



Easy Link System



Automate Blind



Blackout System



Parts & Accessories

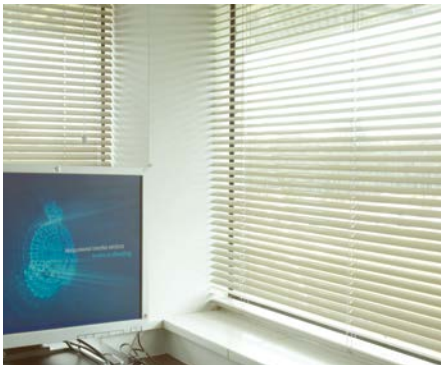
Vertical Blinds

With an affordable price tag, privacy and light are easily controlled. The slats stack neatly open allowing maximum viewing capacity. Vertical Blinds are available in a range of slat sizes and come with the option of centre open or side bunch.



Venetian Blinds

Venetian Blinds are available in cedar, basswood, timber look or aluminium with a range of slat sizes and colours. Offering practical light regulation and privacy control they can be fully raised or the blade angle adjusted to suit.



Panel Glides

Designed as a modern alternative to vertical blinds, panels move through multiple tracking channels with the use of a smooth operating wand that eliminates the need for chains and safety devices and enhances the sleek elegance of this simplistic blind. They can be opened to the left, right or centre making them the ideal covering for sliding doors and large windows. When open the panels stack neatly back behind each other. Fabric can be matched with roller or roman blinds to create a consistent decor throughout.



Roman Blinds

Roman Blinds combine the simplicity of blinds with the warmth of soft furnishing fabrics. A perfect stand alone blind, or together with curtains in the same or contrasting fabric.

Roman Blinds have a classic and timeless look and are available in both blind fabrics and curtain fabrics.



Pleated Blinds

Pleated Blinds combine the soft appeal of a curtain with the versatility and simplicity of a blind. Pleated Blinds almost disappear when raised and minimal light gaps help to reduce glare. Available as a twin blind they are practical for day and night use. Select a sheer fabric to enjoy the view as well as a blockout fabric for privacy at night. Available in many colours, pleated blinds can become a striking feature lifting the mood and character of any room.

Pleated Blinds present the most versatile solution for unusual shaped windows from triangles to circles, skylights and conservatories no situation is too challenging.

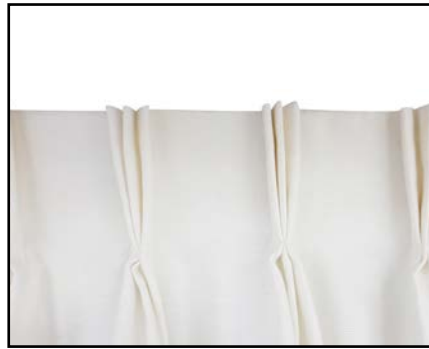


FOR A MORE COMPREHENSIVE PRODUCT RANGE
Visit our website at www.quicksew.com.au





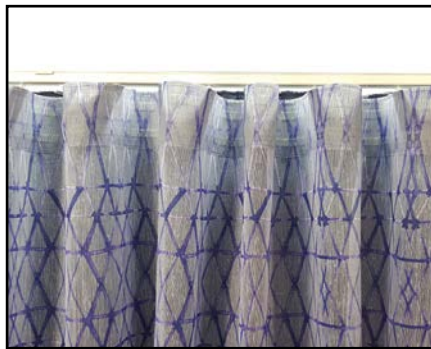
Double Pinch Pleat



Triple Pinch Pleat



Inverted Pleat



S Wave



Pencil Pleat



Goblet Pleat



Eyelet



Knife Pleat



Trimmings



Swags & Tails

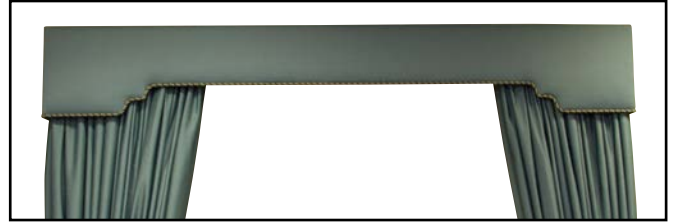


Banana Tiebacks

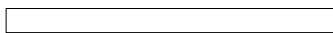


Tassel Tiebacks

Add that creative finishing touch to any room with a custom Pelmet from Quicksew. Available in padded or bonded our range will enhance and compliment the style of any room



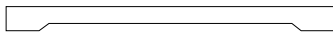
Shapes



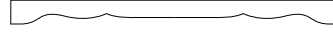
Order Code P1 Straight



Order Code P2 Shape 6



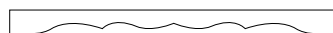
Order Code P2 Shape 1



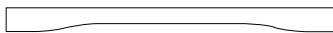
Order Code P2 Shape 7



Order Code P2 Shape 2



Order Code P9 Shape 8



Order Code P2 Shape 3



Order Code P2 Shape 9



Order Code P2 Shape 4



Order Code P2 Shape 10



Order Code P2 Shape 5



Bonded pelmet.



P1 standard piped top and base.



P2 shape 1 no piping.



P2 shape 1 approximately 60mm
inset from base piping.



P2 shape 6.



ACOUSTIC

Natural light, oversized windows, high ceilings, glass boxes, open plan spaces are all aesthetically pleasing design choices loved by modern architects and interior designers. However, these beautiful spaces often present acoustic challenges, as noise reverberates, echoes and amplifies off these hard surfaces.

Noise can be unwanted sound and we are besieged with accidental and unpleasant sounds on a daily basis. Considering this, sound that is not managed, is interfering with complex task performance, speech intelligibility, behaviour, and is a potential stress inducer. This is therefore contradicting the experiences we want people to have, whether it be in the work place, relaxing in a hotel, recovering in hospital or enjoying your later years in an aged care facility.

With the aim to tackle the reflected sound within these commercial space, Quicksew offer a variety of solutions, for a harmonious balance of acoustics and aesthetics. Our Acoustic Art & Pin plus our transparent, opaque and light reduction draperies all have impressive NRC (noise reduction coefficient) ratings and are flame retardant to Australian/New Zealand standards. Our transparent range of Hush Acoustics Sheer Drapery are suitable for any space where the sound of the room, as well as lighting design are the focus.



Our Light Reduction / Opaque Acoustic Drapery Fabric is available as a plain option or printed with the iconic Quicksew print range on offer. The designs and colour choices are endless and would suit any interior space.

Quicksew Acoustic Art and Pin are additional innovative noise reduction systems that are complemented by the Quicksew print range, plus an extensive Image Library to choose from. Our Acoustic Art and Pin withstands the test of ISO/AS standards and the acoustic fill medium made from recycled PET plastic.

Sheer Drapery Fabric

You'll hardly believe the difference a lightweight acoustic sheer will make to the reverberation and echo within office areas, conference rooms, restaurants, hotel lobbies and multi-functional halls.

Our Hush Sheer Drapery Fabric; Soundcheck, Wavelength and Frequency absorb sound and improve understandability. They are semi-transparent, flame retardant (Trevira CS), wide width, durable and have noise reduction coefficient results between 0.58 and 0.62 – a combination previously unavailable for modern architecture.


Soundcheck, Wavelength and Frequency are woven with a ribbon shaped Trevira CS yarn. This modified polyester yarn filament is the key to their sound absorption, managing the flow of sound waves passing through at a particular rate. As sound passes through the fabric repeatedly, it bounces off a reflective surface changing the tone, becoming muffled.

This results in the sound losing some of its energy and therefore reduces sound levels. Soundcheck comes in five colourways – White, Sand, Pumice, Stone and Charcoal.

Frequency and Wavelength come in two colourways each – White and Pumice.



Sheer Drapery Fabric in Frequency Pumice and White (top), Wavelength Pumice and Soundcheck Charcoal (bottom)

Name	Soundcheck	Frequency	Wavelength
Usage	Acoustic Sheer Drapery	Acoustic Sheer Drapery	Acoustic Sheer Drapery
Width	330cm approx.	330cm approx.	330cm approx.
Pattern Repeat	n/a	v – 18cm approx., h – n/a	v – 64.5cm, h – 15cm approx.
Composition	Trevira CS / Polyester	Trevira CS / Polyester	Trevira CS / Polyester
Flammability	AS/NZS 1530 pt 2	AS/NZS 1530 pt 2	AS/NZS 1530 pt 2
NRC Rating	0.59	0.58	0.60
Colours Available	5	2	2
Link	materialised.com /products/soundcheck	materialised.com /products/frequency	materialised.com /products/wavelength
Installation Instructions	For optimum acoustic benefit, we recommend the curtain track be positioned 15 to 20cm from the window or wall, with a minimum 2:1 fullness ratio using a S-Fold style of heading.		
Fabric Care	Mat 6. Warm Wash. DO NOT TUMBLE DRY. Drip dry in shade. Do not bleach. Cool iron. Dry clean  30. Possible shrinkage 3%. Important: Do not wash or dry with any other articles.		

Acoustic Results – Sound Absorption Rates

To quantify our fabrics as commercial acoustic solutions, each is tested and awarded an NRC (Noise Reduction Coefficient) rating. The NRC relates to the absorption effectiveness of the material, and is calculated by averaging how absorptive a material is at 4 different frequencies: 250hz, 500hz, 1000hz and 2000hz. Taking this average number, it is then applied to the NRC scale of 0 to 1. A perfectly sound absorptive material achieves a 1, whereas a 0 indicates no absorption.

With the fabric positioned approximately 15 to 20cm from the window or wall, researchers found that it could absorb up to five times as much sound as a typical lightweight fabric. At low frequencies, around 200hz, it absorbed no more than about a fifth of the incidental sound energy. However, at frequencies of about 500hz (human ears have a maximum sensitivity between about 3000-4000hz), the fabric absorbed about three quarters of the incidental sound energy.

Frequency Hz	Soundcheck	Frequency	Wavelength
250	0.23	0.25	0.30
500	0.75	0.72	0.79
1000	0.75	0.69	0.60
2000	0.62	0.64	0.66
Mean Result	0.59 NRC	0.58 NRC	0.60 NRC

Light Reduction / Opaque Drapery Fabric


Our range of Light Reduction / Opaque Drapery Fabric offers an array of print designs and plain colour options to satisfy the most exacting demands in aesthetics and functionality.

These fabrics offer the look and feel of soft drape, whilst their technology offers functionality as both light reduction and acoustic control, delivering an outstanding Noise Reduction Coefficient between 0.58 and 0.71.

These fabrics are printable in any of our iconic print collections or can be used as stand alone additions, adding neutral, discreet undertones to your interior space.



Midnight Base Cloth printed with Satsuma Fog

Name	Cameron	In The Dark Black	White Knight	Nightline	Shimmer	Midnight
Usage	Wide Width Light Reduction Drapery	Acoustic Drapery	Light Reduction Drapery, Acoustic Properties	Light Reduction Drapery, Acoustic Properties	Light Reduction Drapery, Acoustic Properties	Light Reduction Drapery, Acoustic Properties
Width	280cm approx.	150cm approx.	152cm approx.	148cm approx.	150cm approx.	147cm approx.
Pattern Repeat	n/a	n/a	Depends on print	Depends on print	Depends on print	Depends on print
Composition	Polyester	FR Polyester	Polyester	Polyester	Polyester	Polyester
Flammability	AS/NZS 1530 pt 2	AS/NZS 1530 pt 2 & 3	AS/NZS 1530 pt 2 & 3	AS/NZS 1530 pt 2 & 3	AS/NZS 1530 pt 2 & 3	AS/NZS 1530 pt 2 & 3
NRC Rating	0.71	0.62	0.59	0.68	0.71	0.58
Colours Available	3	1	1	1	1	1
Link	materialised.com/products/cameron	materialised.com/products/in-the-dark	materialised.com/products/white-knight	materialised.com/products/nightline	materialised.com/products/shimmer	materialised.com/products/midnight
Print Compatible	No	No	Yes	Yes	Yes	Yes
Fabric Care	Mat 4. Warm Wash. Tumble dry at moderate temperature, ramping down to cool. Moderate iron. Dry clean  30. Possible shrinkage 3%. Important: Do not wash or dry with any other articles.					

Acoustic Results – Sound Absorption Rates

To quantify our fabrics as commercial acoustic solutions, each is tested and awarded an NRC (Noise Reduction Coefficient) rating. The NRC relates to the absorption effectiveness of the material, and is calculated by averaging how absorptive a material is at 4 different frequencies: 250hz, 500hz, 1000hz and 2000hz. Taking this average number, it is then applied to the NRC scale of 0 to 1. A perfectly sound absorptive material achieves a 1, whereas a 0 indicates no absorption.

With the fabric positioned approximately 15 to 20cm from the window or wall, researchers found that it could absorb up to five times as much sound as a typical lightweight fabric. At low frequencies, around 200hz, it absorbed no more than about a fifth of the incidental sound energy. However, at frequencies of about 500hz (human ears have a maximum sensitivity between about 3000-4000hz), the fabric absorbed about three quarters of the incidental sound energy.

Frequency Hz	Cameron	Shimmer	Nightline	White Knight	Midnight	In The Dark
250	0.52	0.48	0.43	0.49	0.42	0.40
500	0.95	0.96	0.93	0.82	0.82	0.89
1000	0.74	0.75	0.71	0.53	0.56	0.63
2000	0.64	0.65	0.63	0.52	0.54	0.58
Mean Result	0.71 NRC	0.71 NRC	0.68 NRC	0.59 NRC	0.58 NRC	0.62 NRC

Artworks

Quicksew Acoustic Art delivers an effective, affordable and adjustable acoustic solution – perfect for any area where noise negatively effects the soundscape - while adding a visual dimension to the space.

Acoustic Pin offers the same acoustic and aesthetic benefits as Acoustic Art, with the added benefit of a slimmer profile – perfect for work space pin boards.

Both Acoustic Art and Acoustic Pin are supplied, fully assembled and ready to hang – just like normal art/pin boards. We understand that every space is unique, therefore our custom design options allow for an almost unlimited choice of design and colour, or you may choose to use your own images.

What are the benefits of Acoustic Art and Pin?

All Acoustic Art and Acoustic Pin systems are designed to securely hold fabric without the use of adhesives, nails, tacks or tape. This allows you to recycle the framework while changing the fabric 'skin' if it is damaged or a change of decoration is required. The system allows for the precise matching of both patterns and repeat at all seam locations if using multiple panels.

How does it work?

Each panel is constructed with a robust PVC tracking system that contains an acoustic polyester infill, which is the sound absorber. The sound waves pass through the outer skin of fabric, through to the infill where the sound energy is absorbed. Each of our panels are faced with Corfu, a flame retardant fabric that has a modified weave, allowing air to freely pass through it. This fabric passes the acoustic 'blow test' successfully whilst maintaining printed colour beautifully.



Product	Acoustic Art Infill	Acoustic Pin Infill
Infill	100% recyclable polyester fibre and thermally bonded. See special note below.	100% recyclable polyester fibre and thermally bonded. See special note below.
Infill Thickness	24mm	12mm
Infill Weight	2300gsm	2400gsm
NRC Rating	0.85	0.45
Track Profile	Extruded Polyester. 50mm square panel cap end.	Extruded Polyester. 25mm square panel cap end.
Textile	Corfu – Polyester base cloth, printable with Materialised Image library or custom designs	Corfu – Polyester base cloth, printable with Materialised Image library or custom designs
Flammability	AS/NZ 1530 pt 3	AS/NZ 1530 pt 3
Sizes Available	Available in a range of standard sizes or can be customised. All Acoustic Art is made to order.	Available in a range of standard sizes or can be customised. All Acoustic Pin is made to order.
Care Instructions	Gently vacuum regularly with appropriate attachment. If the Art/Pin is subject to spillage, it should be blotted up immediately. Keep blotting until spillage is removed. Warm soapy water or upholstery shampoo can be used for any marks or stains. Pre-test all solutions of a hidden area. Always rinse with clean water and blot dry to finish. If in any doubt, contact a cleaning specialist.	

Special note regarding Polyester Acoustic Infill

- Non toxic, non allergenic and non irritant.
- No chemicals or resin binders are used in manufacture.
- It's odourless and contains no harmful volatile organic compounds (VOC).
- No waste is generated in manufacture.
- No water or ozone-depleting gases are used in manufacture.
- No chlorides are present in the product.
- Suitable for use in Green Star™ projects.

Fire Testing

- NCC Specification C1 .10-4 Fire Hazard Properties.
- ISO 9705 Fire Test - Full scale room test for surface products.
- Group Number: Group 1
- Smoke Growth rate: Less than 100
- NCC Classification: Group 1

Acoustic Results – Sound Absorption Rates

Similar to our Hush Acoustics range, the acoustic fabric and acoustic infill are awarded an NRC (Noise Reduction Coefficient) rating. The NRC relates to the absorption effectiveness of the material, and is calculated by averaging how absorptive a material is at different frequencies. The average is applied to the NRC scale of 0 to 1. A number 1 result is perfectly absorptive material, whereas a 0 indicates no absorption.

Frequency Hz	Acoustic Art Polyester Infill – 24mm	SAcoustic Pin Polyester Infill – 12mm
125	0.05	0.05
250	0.20	0.10
500	0.55	0.30
1000	0.85	0.65
2000	0.95	0.90
4000	0.95	0.45
Mean Result	0.85 NRC	0.62 NRC



MEDICAL / BARIATRIC



Epping Lift Chair

h 1020mm h 520mm
Available in recliner only or lift recliner



Ainsley Power Lifter

h 1110mm H 940mm
h 520mm h 1000mm



Monarch Chair

h 700mm H 550mm
h 500mm h 520mm



Baltimore

h 1080mm H chair 910mm
h 540mm h 560mm
Also Available 2 & 3 Seater lounge



Bathurst

h 1060mm H chair 830mm
h 500mm h 550mm
Also Available 2 Seater lounge



Lift Recliner

h 1110mm H chair 940mm
h 520mm



Easy Recliner

h 1110mm H 750mm
h 560mm h 930mm



Bannister Recliner

h 1110mm H 750mm
h 460mm h 930mm

All furniture can be upholstered to your specified requirements



Hunter Chair

h 455mm H 460mm
h 485-640mm h 460mm



Euro Chair

H 490mm
h 430-580mm h 490-550mm



Alfred Z-Frame

h 360mm H 540mm
h 430-580mm h 515mm



Alfred U-Frame

h 360mm H 540mm
h 430-580mm h 515mm



Vincent Low Back

H 540mm
h 420-595mm h 515mm

Adjustable legs, with or without castors, any fabric, high, medium or low back



Vincent Medium Back

H 540mm
h 420-595mm h 515mm

Adjustable legs, with or without castors, any fabric, high, medium or low back



Vincent High Back

h 730mm H 540mm
h 420-595mm h 515mm

Adjustable legs, with or without castors, any fabric, high, medium or low back

FOR A MORE COMPREHENSIVE PRODUCT RANGE
Visit our website at www.quicksew.com.au



Genesis Armchair

h 780mm H 570mm
h 500mm h 550mm



Podium Armchair

h 800mm H 750mm
h 500mm h 560mm



Barry Armchair

h 800mm H 750mm
h 500mm h 560mm



Turin Maxi Armchair

h 800mm H 750mm
h 500mm h 560mm



Statesman Armchair

h 800mm H 750mm
h 500mm h 560mm



Clarence Recliner Chair

h 670mm H 670mm
h 414-545mm h 460mm



Rotary 700

h 800mm H 630mm (seat)
h 480mm h 480mm



Rotary 600

h 800mm H 500mm (seat)
h 480mm h 480mm



Kara 720 Chair

h 800mm H 780mm
h 475mm h 640mm
Other options include: 600mm wide, adjustable legs



Hunter Chair - Wide

h 455mm H 500-650mm
h 470-610mm h 500-650mm

**All furniture can be upholstered
to your specified requirements**



CHAIRS



Amanda

h 860mm H 580mm
h 430mm h 455mm



Cinquanta 3/4 Back Arm Chair

h 960mm H 615mm
h 500mm h 480mm



Cinquanta 3/4 Back Side Chair

h 960mm H 520mm
h 480mm h 500mm



Daisy Arm Chair

h 800mm H 580mm (chair)
h 520mm h 490mm



Daisy Side Chair

h 800mm H 580mm (chair)
h 520mm h 490mm



Gamma Arm Chair

h 825mm H 560mm
h 500mm h 550mm



Manuela Fully Uph Arm Chair

h 860mm H 560mm
h 450mm h 480mm



Manuela Full Back Arm Chair

h 860mm H 560mm
h 450mm h 480mm



Manuela Stackable Arm Chair

h 860mm H 560mm
h 450mm h 480mm



Manuela Slat Back Arm Chair

h 860mm H 560mm
h 450mm h 480mm



Maxima Tub Chair

h 785mm H 635mm
h 450mm h 490mm



Mastello Tub Chair

h 730mm H 650mm
h 460mm h 460mm

FOR A MORE COMPREHENSIVE PRODUCT RANGE Visit our website at www.quicksew.com.au



Marta 3/4 Uph Back Arm Chair

h 860mm H 565mm
h 480mm h 475mm



Martina 3/4 Uph Back Arm Chair

h 860mm H 565mm
h 480mm h 475mm



Baltimore Arm Chair

h 880mm H 600mm
h 470mm h 570mm

Also available side chair & barstool



Valeria Arm Chair

h 920mm H 590mm
h 510mm h 405mm



Rimini Full Arm Chair

h 935mm H 470mm
h 485mm h 430mm



Jack Arm Chair

h 990mm H 535mm h 685mm
Only available in antique oak stain



Woodtech with Arms

h 840mm H 530mm
h 450mm h 490mm



Woodtech No Arms

h 840mm H 530mm
h 450mm h 490mm



Woodtech Stackable

h 840mm H 530mm
h 450mm h 490mm



Tania Stackable Arm Chair

h 930mm H 550mm
h 500mm h 460mm



Marina Arm Chair

h 910mm H 535mm
h 485mm h 530mm

All furniture can be upholstered to your specified requirements



Alisya Arm Chair

h 1060mm H 460mm
h 460mm h 480mm



Health Arm Chair

h 1060mm H 460mm
h 460mm h 480mm
Removable seat



Rosetta Arm Chair

h 860mm H 545mm
h 480mm



Jaguar Chair

h 900mm H 440mm
h 470mm h 450mm
Upholstered seat



Horonto Compact Armchair

h 860mm H 590mm
h 480mm h 430mm



Horonto Armchair

h 860mm H 640mm
h 480mm h 430mm



Capri Tub Chair

h 780mm H 700mm
h 480mm h 490mm



Victoria Upholstered Arm Chair

h 860mm H 560mm
h 510mm h 550mm



Victoria Exposed Arm Chair

h 860mm H 560mm
h 510mm h 550mm



Chloe

h 1120mm H 645mm
h 490mm h 550mm



Claudia A

h 970mm H 510mm
h 500mm h 670mm



Wide Cara A

h 900mm H 610mm
h 490mm h 600mm



Napoleon

h 900mm H 550mm
h N/A h 650mm



Napoleon C

h 900mm H 550mm
h N/A h 650mm



Tati A

h 1050mm H 570mm
h 490mm h 495mm



542 C

h 990mm H 640mm
h 480mm h 530mm



Chippendale A

h 980mm H 600mm
h 530mm h 480mm



9158 P

h 1100mm H 690mm
h 480mm h 660mm



0492 A

h 950mm H 550mm
h 500mm h 560mm



0492 S

h 950mm H 500mm
h 500mm h 560mm



Logica

h 820mm H 740mm
h 425mm h 745mm



9275 P

h 960mm H 690mm
h 590mm h 700mm



9303 P

h 940mm H 840mm
h 460mm h 750mm



9196 P

h 1030mm H 700mm
h 500mm h 800mm

All furniture can be upholstered to your specified requirements



Harrison

h 900mm H 650mm
h 480mm h 630mm



Barbie

h 850mm H 740mm h 460mm
Seat width 440-540mm
Arm height 680mm



French Arm Chair

h 1010mm H 590mm
h 500mm



Lily Upholstered Back Arm Chair

h 990mm H 620mm
h 520mm

Also available as side chair & with
Rattan Back



Platinum Comfort 2 Armchair

h 905mm H 580mm
h 520mm h 600mm

**All furniture can be upholstered
to your specified requirements**

FOR A MORE COMPREHENSIVE PRODUCT RANGE
Visit our website at www.quicksew.com.au



Beverly Arm Chair

h 840mm H 550mm
h 470mm h 500mm



Panama Chair

h 830mm H 460mm
h 460mm h 570mm
Also available with arms



Tulip Arm Chair

h 880mm H 550mm
h 450mm h 540mm



Iris Armchair

h 870mm H 550mm
h 460mm h 500mm
Also available in a sidechair



Joshua H-601 FA

h 860mm H 510mm
h 500mm h 480mm



Joshua H-601 F Single

h 860mm H 510mm
h 500mm h 480mm



Ziggy

h 800mm H 510mm
h 470mm h 530mm
Also Available with adjustable legs



Ziggy With Arm Pads

h 800mm H 520mm
h 470mm h 530mm
Also Available with adjustable legs



Ambassador

H 555mm
h 500mm h 483mm



Jarrad H-6118_F_(b)

h 940mm H 420mm
h 600mm



Target Chair With Arms

h 850mm H 470mm
h 480mm h 470mm



Bistro

h 925mm H 430mm
h 500mm h 410mm



Dyno/Rocket Arch Back

Also available without arms
in Chrome or Powdercoated frame



Dyno/Rocket Sled Base

Also available in arch back
in Chrome or Powdercoated frame
with or without arms



Martin with Arms

h 840mm h 440mm



Laser Square Back

Also available without arms
in Chrome or Powdercoated frame



Laser Arch Back

Also available without arms
in Chrome or Powdercoated frame



Laser Sled Base

Also available in arch back
in Chrome or Powdercoated frame
with or without arms



Kara

h 805mm h 480mm
h 470mm H 580mm
Also available in wide width



Kara (Adjustable Leg)

h 480mm h 470mm H 580mm
Also available in wide width



Sienna

h 850mm H chair 570mm
h 580mm h 440mm
Stackable, optional castors



Pod Chair

h 810mm h 460mm
h 410mm H 420mm
A range of base options available



Smoke

h 800mm h 410mm
h 400mm H 520mm
A range of base options available



Gold

h 855-975mm h 495-615mm
h 450mm H 520mm
A range of base options available



Air Chair

h 820mm H Chair 500mm
h 450mm h 600mm
Suitable for indoor & outdoor use



Air XL Armchair

h 815mm H Chair 570mm
h 450mm h 600mm
Suitable for indoor & outdoor use



Rotary

Heavy duty frame
Optional 600 or 700 mm wide



Dolce Chair

h 800mm H Chair 555mm
h 450mm h 570mm
Suitable for indoor & outdoor use



Madrid Aluminium Chair

h 720mm H Chair 565mm
h 435mm h 630mm
Suitable for indoor & outdoor use



Madrid Wicker Chair

h 720mm H Chair 560mm
h 430mm h 615mm
Suitable for indoor & outdoor use



REA Mesh Chair

h 890mm H 630mm
h 480mm h 480mm
Stackable, optional castors



Aliwood Stackable

h 840mm H 530mm
h 450mm h 490mm
Timber-look metal frame



Chair Trolleys



Rimini SP Uph Back Bar Stool

h 1070mm H 470mm
h 750mm h 400mm



Cinquanta 3/4 Uph Back Bar Stool

h 1055mm H 500mm
h 760mm h 455mm



Victoria Uph Back Bar Stool

h 1070mm H 440mm
h 770mm h 390mm



Kara Stool

h 1010mm H 560mm
h 680mm



Bistro Bar Stool 4 Leg with Back

h 1070mm H 380mm
h 670mm h 400mm



Air Bar Stool 65

h 1050mm H 440mm
h 650mm h 540mm

Suitable for indoor & outdoor use



Air Bar Stool 75

h 1050mm H 440mm
h 750mm h 540mm

Suitable for indoor & outdoor use

FOR A MORE COMPREHENSIVE PRODUCT RANGE
Visit our website at www.quicksew.com.au



Joshua Beam Seat

H 835mm H Seat 510mm

Available in:

2 Seater with All Arms - Length: 1235mm
3 Seater with All Arms - Length: 1820mm
4 Seater with All Arms - Length: 2405mm

2 Seater with No Arms - Length: 1035mm
3 Seater with No Arms - Length: 1580mm
4 Seater with No Arms - Length: 2125mm

2 Seater with End Arms - Length: 1147mm
3 Seater with End Arms - Length: 1692mm
4 Seater with End Arms - Length: 2237mm



Dyno 5 Seater

h 835mm H Seat 510mm
Available in:
2, 3, 4 and 5 seater



Dyno with Table

h 835mm H Seat 510mm



Shell 4 Seater Beam

h 830mm H Seat 430mm
Available in:
2 Seater with No Arms - Length: 1035mm
3 Seater with No Arms - Length: 1580mm
4 Seater with No Arms - Length: 2125mm

FOR A MORE COMPREHENSIVE PRODUCT RANGE
Visit our website at www.quicksew.com.au



LOUNGES



Axis Armchair

h 790mm H 540mm
h 450mm h 530mm



Babia

h 800mm H 600mm
h 450mm h 530mm



Flip Flop Sofa Bed

h 985mm H 885mm
h 450mm h 500mm



Euro Armchair

h 780mm H 820mm
h 430mm h 550mm



Annette Armchair

h 900mm H 770mm
h 500mm h 460mm



Emilie Armchair

h 990mm H 770mm
h 440mm h 490mm



Bidazon Armchair

h 1025mm H 760mm
h 480mm h 540mm



Martinique

h 820mm H 530mm
h 460mm h 460mm



Martinique Timber Arms

h 820mm H 530mm
h 460mm h 460mm



Blake Armchair

h 1020mm H 800mm
h 450mm h 530mm



Tub Chair Full

h 810mm H 450mm
h 500mm h 500mm



Omega Tub Chair

h 720mm H 490mm
h 490mm



Milan Tub

h 800mm H 450mm
h 450mm h 450mm



Turin Tub

h 800mm H 450mm
h 450mm h 450mm



Globe

h 710mm
h 450mm h 480mm



Deakin

h 700mm H 470mm
h 450mm h 510mm



Byron

h 900mm H 880mm
h 900mm



Belle

h 890mm H 740mm
h 450mm h 650mm



Egg

h 1050mm H 860mm
h 790mm



Loft Chair



Tuscany

h 860mm H 770mm
h 670mm



Shelley

h 1010mm H 795mm
h 500mm h 500mm



Ava

h 880mm H 680mm
h 770mm



Mia

h 1030mm H 660mm
h 660mm



Parklane Wing Chair

h 1050mm H 750mm
h 800mm



Coral Chair



Sheffield

h 1020mm H 870mm
h 850mm



Londilisa Chair

h 1002mm H 650mm
h 690mm



Louis Wing Chair

h 910mm H 735mm
h 650mm

Also available in 2 & 3 Seater



Grandfather Wing Chair

h 1040mm H 690mm
h 680mm



Gatsby Wing Chair

h 1090mm H 650mm
h 900mm

All furniture can be upholstered to your specified requirements

FOR A MORE COMPREHENSIVE PRODUCT RANGE

Visit our website at www.quicksew.com.au



Atari

Dimensions **h** 730mm **h** 450mm **h** 530mm
1 Seater **H** 780mm **2 Seater** **H** 1376mm
2.5 Seater **H** 1770mm **3 Seater** **H** 1985mm

Paris Wing

Dimensions **h** 980mm **h** 500mm **h** 510mm
1 Seater **H** 820mm **2 Seater** **H** 1370mm
 also available with valance



Chartwell

Dimensions **h** 1030mm **h** 520mm
1 Seater **H** 870mm **2 Seater** **H** 1610mm

Amalfi

Dimensions **h** 800mm **h** 450mm **h** 530mm
1 Seater **H** 850mm **2 Seater** **H** 1470mm
2.5 Seater **H** 1820mm **3 Seater** **H** 2170mm



Podium

Dimensions **h** 730mm **h** 420mm **h** 550mm
1 Seater **H** 780mm **2 Seater** **H** 1365mm
3 Seater **H** 1990mm

Savannah

Dimensions **h** 820mm **h** 450mm **h** 530mm
1 Seater **H** 550mm **2.5 Seater** **H** 1790mm
3 Seater **H** 1970mm

All furniture can be upholstered to your specified requirements



Bremen Highback

Dimensions **h** 1070mm **h** 450mm **h** 530mm
1 Seater **H** 540mm **2 Seater** **H** 1300mm



Bremen

Dimensions **h** 890mm **h** 450mm **h** 530mm
1 Seater **H** 750mm **2 Seater** **H** 1300mm **3 Seater** **H** 1840mm



Loftus

Dimensions **h** 785mm **h** 450mm **h** 550mm
1 Seater **H** 980mm **2 Seater** **H** 1520mm
2.5 Seater **H** 1940mm **3 Seater** **H** 2040mm



Loftus Sofa Bed

Dimensions **h** 785mm **h** 460mm **h** 550mm
1 Seater **H** 980mm
2.5 Seater **H** 1960mm



Senator

Dimensions **h** 770mm **h** 420mm **h** 590mm
1 Seater **H** 850mm **2 Seater** **H** 1555mm
3 Seater **H** 2220mm



Statesman

Dimensions **h** 750mm **h** 440mm **h** 815mm (overall)
1 Seater **H** 820mm **2 Seater** **H** 1400mm
3 Seater **H** 2220mm

All furniture can be upholstered to your specified requirements



Stockland

Dimensions **h** 730mm **h** 440mm **h** 530mm
1 Seater **H** 780mm **2 Seater** **H** 1360mm
2.5 Seater **H** 1775mm



Sienna

Dimensions **h** 750mm **h** 450mm **h** 530mm
1 Seater **H** 820mm **2 Seater** **H** 1400mm
3 Seater **H** 2010mm



Venetian

Dimensions **h** 800mm **h** 450mm **h** 540mm
1 Seater **H** 820mm **2 Seater** **H** 1340mm
2.5 Seater **H** 1600mm **3 Seater** **H** 1900mm



Ashley

1 Seater **h** 1070mm **H** 790mm **h** 840mm
2 Seater **h** 1070mm **H** 1500mm **h** 840mm
2.5 Seater **h** 1070mm **H** 1750mm **h** 840mm
3 Seater **h** 1070mm **H** 2000mm **h** 840mm



Studio

1 Seater **h** 820mm **H** 1000mm **h** 940mm (chair)
2 Seater **h** 820mm **H** 1440mm **h** 940mm (chair)
2.5 Seater **h** 820mm **H** 1780mm **h** 940mm (chair)
3 Seater **h** 820mm **H** 2040mm **h** 940mm (chair)
3.5 Seater **h** 820mm **H** 2340mm **h** 940mm (chair)



Cinquanta

1 Seater **h** 820mm **H** 710mm **h** 535mm **h** 465mm
2 Seater **h** 820mm **H** 1330mm **h** 535mm **h** 465mm

Also available with in-fill arms

All furniture can be upholstered to your specified requirements



Carlton

1 Seater		900mm		900mm		900mm
2 Seater		900mm		1500mm		900mm
2.5 Seater		900mm		1850mm		900mm
3 Seater		900mm		2100mm		900mm
3.5 Seater		900mm		2400mm		900mm

Sheraton

1 Seater		820mm		760mm		700mm
2 Seater		900mm		1300mm		700mm



Genesis

Dimensions		730mm		450mm		530mm
1 Seater		820mm	2 Seater		1395mm	
2.5 Seater		1770mm	3 Seater		1985mm	

Katrina

1 Seater		900mm		920mm		920mm
2 Seater		900mm		1520mm		920mm
2.5 Seater		900mm		1860mm		920mm
3 Seater		900mm		2120mm		920mm
3.5 Seater		900mm		2420mm		920mm



Millennium

1 Seater		830mm		940mm		910mm
2 Seater		830mm		1540mm		910mm
2.5 Seater		830mm		1880mm		910mm
3 Seater		830mm		2140mm		910mm
3.5 Seater		830mm		2440mm		910mm

All furniture can be upholstered to your specified requirements



Whisper

1 Seater	h 820mm	H 740mm	h 900mm	h 450mm
2 Seater	h 1060mm	H 1270mm	h 900mm	h 450mm



Penthouse

1 Seater	h 750mm	H 810mm	h 850mm
2 Seater	h 750mm	H 1410mm	h 850mm
2.5 Seater	h 750mm	H 1750mm	h 850mm
3 Seater	h 750mm	H 2010mm	h 850mm
3.5 Seater	h 750mm	H 2310mm	h 850mm

Retro

1 Seater	h 780mm	H 810mm	h 820mm
2 Seater	h 780mm	H 1410mm	h 820mm
2.5 Seater	h 780mm	H 1750mm	h 820mm
3 Seater	h 780mm	H 2010mm	h 820mm
3.5 Seater	h 780mm	H 2310mm	h 820mm



Trinity

1 Seater	h 880mm	H 780mm	h 800mm
2 Seater	h 880mm	H 1380mm	h 800mm
2.5 Seater	h 880mm	H 1720mm	h 800mm
3 Seater	h 880mm	H 1980mm	h 800mm
3.5 Seater	h 880mm	H 2280mm	h 800mm

Hampton

1 Seater	h 920mm	H 950mm	h 860mm
2 Seater	h 920mm	H 1380mm	h 860mm
2.5 Seater	h 920mm	H 1720mm	h 860mm
3 Seater	h 920mm	H 1980mm	h 860mm
3.5 Seater	h 920mm	H 2280mm	h 860mm

All furniture can be upholstered to your specified requirements



Lexington

1 Seater		850mm		960mm		950mm
2 Seater		850mm		1560mm		950mm
2.5 Seater		850mm		1900mm		950mm
3 Seater		850mm		2160mm		950mm
3.5 Seater		850mm		2460mm		950mm

Avon

1 Seater		850mm		810mm		850mm
2 Seater		850mm		1410mm		850mm
2.5 Seater		850mm		1750mm		850mm
3 Seater		850mm		2010mm		850mm
3.5 Seater		850mm		2310mm		850mm

Also available in Modular



Conrad

1 Seater		980mm		890mm		1000mm
2 Seater		980mm		1550mm		1000mm
2.5 Seater		980mm		1800mm		1000mm
3 Seater		980mm		2050mm		1000mm

Burlington

Ottoman		550mm		650mm		650mm
1 Seater		920mm		850mm		1030mm
2 Seater		920mm		1650mm		1030mm
2.5 Seater		920mm		1900mm		1030mm
3 Seater		920mm		2150mm		1030mm

FOR A MORE COMPREHENSIVE PRODUCT RANGE

Visit our website at www.quicksew.com.au

All furniture can be upholstered to your specified requirements



Eastern

Dimensions **h** 930mm **h** 900mm

1 Seater **H** 930mm **2 Seater** **H** 1530mm
2.5 Seater **H** 1830mm **3 Seater** **H** 2130mm



Oscar II

Dimensions **h** 900mm **h** 880mm

1 Seater **H** 900mm **2 Seater** **H** 1530mm
2.5 Seater **H** 1830mm **3 Seater** **H** 2130mm



Milan

1 Seater **h** 800mm **H** 1000mm **h** 960mm
2 Seater **h** 820mm **H** 1600mm **h** 920mm
2.5 Seater **h** 820mm **H** 1950mm **h** 920mm
3 Seater **h** 820mm **H** 2200mm **h** 920mm
3.5 Seater **h** 820mm **H** 2500mm **h** 920mm

Also available in Modular



Galaxy

1 Seater **h** 850mm **H** 900mm **h** 900mm
2 Seater **h** 850mm **H** 1500mm **h** 900mm
2.5 Seater **h** 850mm **H** 1840mm **h** 900mm
3 Seater **h** 850mm **H** 2100mm **h** 900mm
3.5 Seater **h** 850mm **H** 2400mm **h** 900mm

Also available in Modular



New Lexington

1 Seater **h** 850mm **H** 960mm **h** 950mm
2 Seater **h** 850mm **H** 1560mm **h** 950mm
2.5 Seater **h** 850mm **H** 1900mm **h** 950mm
3 Seater **h** 850mm **H** 2160mm **h** 950mm
3.5 Seater **h** 850mm **H** 2460mm **h** 950mm



Miami

h 950mm **H** 2050mm
h 740mm

Custom size available



Western

Dimensions **h** 990mm **h** 900mm

1 Seater **H** 990mm **2 Seater** **H** 1590mm
2.5 Seater **H** 1890mm **3 Seater** **H** 2190mm



Villa

Dimensions **h** 1040mm **h** 890mm

1 Seater **H** 1040mm **2 Seater** **H** 1600mm
2.5 Seater **H** 1900mm **3 Seater** **H** 2200mm



Billy

Dimensions **h** 990mm **h** 1000mm

1 Seater **H** 990mm **2 Seater** **H** 1590mm
2.5 Seater **H** 1890mm **3 Seater** **H** 2190mm



Roma

h 950mm **H** 2050mm
h 740mm

Custom size available



Malibu

h 850mm **H** 1650mm
h 780mm

Custom size available



Chaise Lounge

Chaise **h** 910mm **H** 1700mm **h** 630mm



Camilla

1 Seater	h 990mm	H 1000mm	h 970mm
Seater	h 990mm	H 1600mm	h 970mm
2.5 Seater	h 990mm	H 1950mm	h 970mm
3 Seater	h 990mm	H 2200mm	h 970mm
3.5 Seater	h 990mm	H 2500mm	h 970mm



Cascade

1 Seater	h 930mm	H 1000mm	h 1040mm
2 Seater	h 930mm	H 1600mm	h 1040mm
2.5 Seater	h 930mm	H 1950mm	h 1040mm
3 Seater	h 930mm	H 2200mm	h 1040mm
3.5 Seater	h 930mm	H 2500mm	h 1040mm



Mayfair

1 Seater	h 900mm	H 1080mm	h 920mm
2 Seater	h 900mm	H 1680mm	h 920mm
2.5 Seater	h 900mm	H 2020mm	h 920mm
3 Seater	h 900mm	H 2280mm	h 920mm
3.5 Seater	h 900mm	H 2580mm	h 920mm



Florence II

1 Seater	h 900mm	H 1150mm	h 950mm
2 Seater	h 900mm	H 1750mm	h 950mm
2.5 Seater	h 900mm	H 2100mm	h 950mm
3 Seater	h 900mm	H 2350mm	h 950mm



Cassandra

1 Seater	h 900mm	H 1200mm	h 950mm
2 Seater	h 900mm	H 1800mm	h 950mm
2.5 Seater	h 900mm	H 2150mm	h 950mm
3 Seater	h 900mm	H 2400mm	h 950mm
3.5 Seater	h 900mm	H 2700mm	h 950mm



Belvedere

2 Seater	h 970mm	H 1600mm	h 970mm
2.5 Seater	h 970mm	H 1850mm	h 970mm
3 Seater	h 970mm	H 2100mm	h 970mm



Tudor

1 Seater	h 880mm	H 960mm	h 940mm
2 Seater	h 880mm	H 1560mm	h 940mm
2.5 Seater	h 880mm	H 1900mm	h 940mm
3 Seater	h 880mm	H 2160mm	h 940mm
3.5 Seater	h 880mm	H 2460mm	h 940mm



Echo

2 Seater	h 780mm	H 1600mm	h 1030mm
2.5 Seater	h 780mm	H 1950mm	h 1030mm
3 Seater	h 780mm	H 2210mm	h 1030mm
Chaise	h 780mm	H 1030mm	h 1410mm



Alaska

2 Seater	h 830mm	H 1850mm	h 1000mm
2.5 Seater	h 830mm	H 2100mm	h 1000mm
3 Seater	h 830mm	H 2350mm	h 1000mm
Chaise 1 Arm	h 830mm	H 1000mm	h 1000mm
2 Seat 1 Arm	h 830mm	H 1650mm	h 1000mm
2.5 Seat 1 Arm	h 830mm	H 1900mm	h 1000mm
3 Seat 1 Arm	h 830mm	H 2150mm	h 1000mm



Swirl

1 Seater	h 700mm	H 700mm	h 1700mm
----------	---------	---------	----------



Rome

Corner **h** 660mm **H** 980mm **h** 800mm
2 Seater **h** 660mm **H** 1800mm **h** 800mm



Jazz

Corner **h** 780mm **H** 1020mm **h** 810mm
2 Seater **h** 780mm **H** 1410mm **h** 810mm
2.5 Seater **h** 780mm **H** 1750mm **h** 810mm
3 Seater **h** 780mm **H** 2010mm **h** 810mm



Venus

2 Seater **h** 660mm **H** 1380mm **h** 1020mm
2.5 Seater **h** 660mm **H** 1720mm **h** 1020mm
3 Seater **h** 660mm **H** 1980mm **h** 1020mm
Chaise **h** 660mm **H** 620mm **h** 1800mm



Civic

2 Seater **h** 920mm **H** 2250mm **h** 800mm
2.5 Seater **h** 920mm **H** 2590mm **h** 800mm
3 Seater **h** 920mm **H** 2850mm **h** 800mm



Club

2 Seater **h** 900mm **H** 1750mm **h** 1000mm
2.5 Seater **h** 900mm **H** 2000mm **h** 1000mm
3 Seater **h** 900mm **H** 2300mm **h** 1000mm
Sml Chaise **h** 900mm **H** 2000mm **h** 1000mm
Lge Chaise **h** 900mm **H** 2400mm **h** 1000mm



Timberland

2.5 Seater **h** 820mm **H** 2750mm **h** 940mm
3 Seater **h** 820mm **H** 3180mm **h** 940mm



Belle

Corner **h** 660mm **H** 1020mm **h** 1020mm
2 Seater **h** 660mm **H** 1380mm **h** 950mm
2.5 Seater **h** 660mm **H** 1720mm **h** 950mm
3 Seater **h** 660mm **H** 1980mm **h** 950mm



Cuba

2 Seater **h** 780mm **H** 1600mm **h** 950mm
2.5 Seater **h** 780mm **H** 1950mm **h** 950mm
3 Seater **h** 780mm **H** 2210mm **h** 950mm
Chaise **h** 780mm **H** 1100mm **h** 1410mm



Hayman

2.5 Seater **h** 820mm **H** 3440mm **h** 960mm
3 Seater **h** 820mm **H** 3700mm **h** 960mm



Café Round

Available in:
Height 450mm Seat Ø 450mm
Height 500mm Seat Ø 500mm



Café Square

Available in:
Height 450mm Depth 450mm
Height 500mm Depth 500mm



Café Rectangular

Height 450mm length 980mm
Depth 450mm
(Also available in 1480mm length)



1000 Ø Ottoman



¼ Arch Ottoman



FOR A MORE COMPREHENSIVE PRODUCT RANGE
Visit our website at www.quicksew.com.au



Twist

Available in Black PU
and local upholstery
Linkable



¼ Arch Concave Ottoman



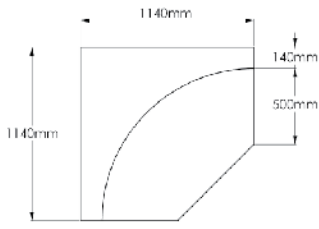
Low Back Corner Unit



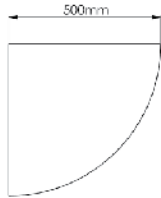
2s Low Back Single Sided



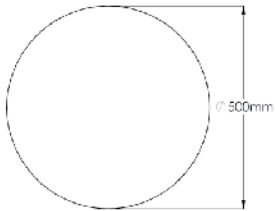
2s Hi Back Double Sided



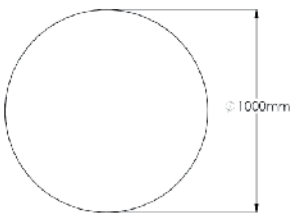
Corner Unit



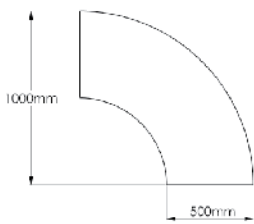
Small 1/4 Circle Ottoman



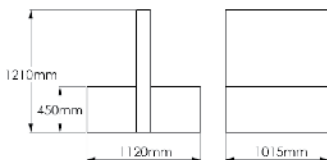
Small Round Ottoman



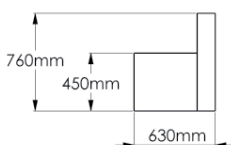
Large Round Ottoman



Large 1/4 Circle Ottoman



Hi Back Double Sided Unit



Low Back Single Sided Unit

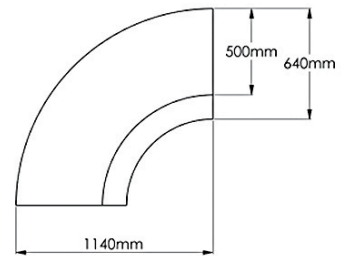


1/4 Arch Concave Unit

Seat Height 445
Seat Depth 500
Overall Height 760



1/4 Arch Convex Unit



FOR A MORE COMPREHENSIVE PRODUCT RANGE
Visit our website at www.quicksew.com.au



Modena Ottoman Square
Height 420mm length 650mm
Depth 650mm



Modena Ottoman Rectangular
Height 420mm length 1100mm
Depth 650mm
(Also available in 1600 & 2100mm lengths)



Marco Ottoman
Height 450mm Depth 480mm
Available in Square & in Lengths 960mm
& 1500mm



Podium Ottoman
Height 410mm Depth 650mm
Available in Square & in
Lengths 1600mm & 2100mm



Stein Ottoman
Height 430mm Sides 330mm



Round Nesting Ottomans



Hat
Height 420mm Seat Ø 600mm



Leaf Break Out Seating
Optional low or high backs
Available in all local materials



Island 2400 x 1400
Height 850mm Width 2400mm
Depth 1400mm



Konnect 1s
Height 760mm Width 660mm
Depth 660mm



Oval Ottoman
Height 440mm length 1800mm
Depth 600mm



Half Moon Ottoman

Height 455mm length 1000mm
Depth 500mm



Leaf Ottoman

Height 455mm length 1000mm
Depth 500mm



Cuba

Height 380mm length 1000mm
Depth 1000mm



Galaxy

Height 420mm length 1600mm
Depth 500mm



Eco Daybed

Ø 1200mm
Height 720mm



Pod Ottoman

Ø 1200mm
Height 320mm



Milan

Height 420mm length 1100mm
Depth 700mm



Shadow Ottoman

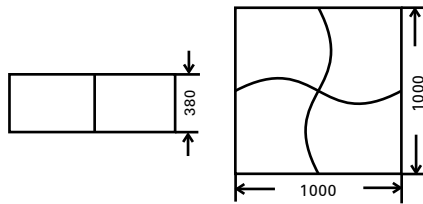
Height 320mm length 1400mm
Depth 650mm



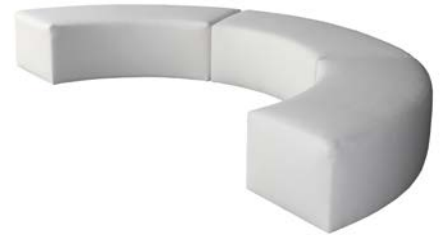
Sofabed Ottoman

Height 420mm Depth 760mm
Available in
Single: 1380mm width
Double: 1800mm width

FOR A MORE COMPREHENSIVE PRODUCT RANGE
Visit our website at www.quicksew.com.au



Jigsaw Ottoman



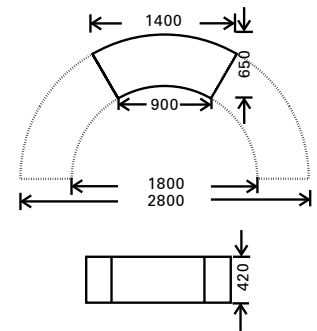
Madrid Daybed

Height 420mm length 2000mm
Depth 1000mm



Raffles

Height 480mm length 720mm
Depth 520mm



Band Ottoman



Paddington

Height 420mm
Available in Square 900x900mm
& Rectangle 1100 x 700mm



Essex

Height 400mm length 1050mm
Depth 740mm
Also available in large



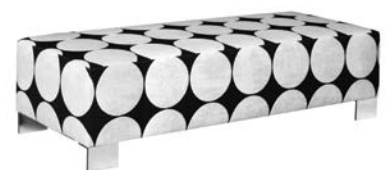
Matrix

Height 420mm
Available in Square 900x900mm



Nova

Height 650mm Depth 450mm
Available in Double: 1150mm
Queen: 1250mm King: 1400mm



Belle Ottoman

Height 420mm length 1600mm
Depth 600mm



Integra Modular Units

h 825mm h 465mm



Custom Banquette Seating



Circular Banquette

Ø 1800mm

Height 900mm Seat Height 420mm



Blitz Modular

All furniture can be upholstered to your specified requirements



Podium End Table ottoman



Podium Quiet Lounge



Podium Lounge with Kick Panel



Jade 2 Seater Quiet Lounge

h 1280mm H 1540mm (overall)
h 450mm h 550mm



Freedom Quiet Lounge

h 1110mm H 820mm (overall)
h 490mm h 510mm

All furniture can be upholstered to your specified requirements



BEDROOM

Laminate Range



Slimmed Elegance 3 Drawer

H: 685 D: 460 W: 480



Slimmed Hutch 3 Drawer

H: 950 D: 450 W: 460



Flow 3 Drawer

H: 730 D: 450 W: 460



Edge 4 Drawer

H: 815 D: 450 W: 460



Aperture 2 Drawer

H: 755 D: 450 W: 460



Edge 3 Drawer

H: 755 D: 450 W: 460

All furniture can be manufactured to your specified requirements

Over Bed Tables

Lightweight mobile table with adjustable height
Suitable to use over the bed or chair. Ideal to use while eating and for other household activities.

- Spring loaded mechanism is quick and easy to operate, making it ideal for multiple clients, and multiple activity use
- Soft raised lip edge helps prevent items from slipping off table top
- Wide base for greater stability
- U shape base enables the table to be positioned closer to the chair and the user
- Fitted with four swivel castors, two of which are locking
- Disassembles for storage and transportation
- Powder coated steel frame





TABLES



Clover Leaf Table

Depth: 1200mm Width: 1200mm



Tapered Leg Dining Table

Available in square or round:
750 x 750, 900 x 900, 1000 x 1000 &
1200 x 1200 (mm)
With or without wheelchair cutout



Empire Dining Table

Available in square or round:
750 x 750, 900 x 900, 1000 x 1000 &
1200 x 1200 (mm)
With or without wheelchair cutout



Astra Dining Table

Available in a variety of sizes
Laminate top/metal legs
Colours from standard range



Sapphire Dining Table

Available in square or round:
750 x 750, 900 x 900, 1000 x 1000 &
1200 x 1200 (mm)
With or without wheelchair cutout



Kensington Dining Table

Available in square or round:
750 x 750, 900 x 900, 1000 x 1000 &
1200 x 1200 (mm)
With or without wheelchair cutout



Rectangular Cabriole Leg Dining Table

Height: 760mm Width: 2000mm
Depth: 1000mm Also Available in
width 1800mm



Cabriole Leg Round Dining Table

Height: 760mm Top Ø: 1000mm
Available in plain & carved legs



Pedestal Dining Table

Available in 1000mm, 1200mm
& 1500mm Round

*Tables can be custom-made to any size requirement
and stained to match.*

FOR A MORE COMPREHENSIVE PRODUCT RANGE - Visit our website at www.quicksew.com.au



25 Dia top

Laminate top/metal legs
Colours from standard range



Modular Table

Laminate top/metal legs
Colours from standard range



5 Star 1200D Activity Table

Laminate top/metal legs
Colours from standard range



MoOD 75 x 75 Corner

Laminate top/metal legs
Colours from standard range



MOD 15 75 HC

Laminate top/metal legs
Colours from standard range



Trapezium Table

Laminate top/metal legs
Colours from standard range



Deluxe Folding Table

Laminate top/metal legs
Colours from standard range



ALL 15 DF

Laminate top/metal legs
Colours from standard range



FLI 15 DF Table

Laminate top/metal legs
Colours from standard range



FLI 18 8025



Mag Trolley



Table Trolleys

FOR A MORE COMPREHENSIVE PRODUCT RANGE

Visit our website at www.quicksew.com.au

INDOOR/OUTDOOR CHAIRS



Air Chair



5 YEAR WARRANTY



- Stackable up to 4 high
- Suitable for indoor and outdoor commercial use
- Made of UV stabilised polypropylene reinforced with glass fibre
- Dimensions: 500W x 600D x 820H x 450 Seat Height
- Unit Weight: 3.7kg
- SWL: 150kg
- Supplied assembled
- Weather resistant, UV Stabilised, Glass fibre reinforced
- Stocked In: Anthracite, Black, White, Red, Orange, Green, Taupe, Mango
- Replaceable feet
- CATAS Tested
- Matching Products: Air XL Armchair, Air Barstool
- Made in Europe



Air XL Armchair



5 YEAR WARRANTY



- Stackable up to 4 high
- Suitable for indoor and outdoor commercial use
- Made of UV stabilised polypropylene reinforced with glass fibre
- Dimensions: 570W x 600D x 815H x 450 Seat Height
- Arm Height: 680H
- Unit Weight: 3.8kg, SWL: 150kg
- Supplied assembled
- Weather resistant, UV Stabilised, Glass fibre reinforced
- Stocked In: Anthracite, Black, White, Red, Orange, Green, Taupe, Mango
- Replaceable feet
- CATAS Tested
- Matching Products: Air Chair, Air Barstool
- Made in Europe



Ares Chair



5 YEAR WARRANTY



- Stackable
- Suitable for indoor and outdoor commercial use
- Made of UV stabilised polypropylene reinforced with glass fibre
- Dimensions: 475W x 580D x 830H x 450 Seat Height
- Unit Weight: 4.5kg, SWL: 150kg
- Supplied assembled
- Weather resistant, UV Stabilised, Glass fibre reinforced
- Stocked In: Anthracite, Black, White, Chocolate, Taupe
- Replaceable feet
- CATAS Tested
- Matching Products: Artemis Armchair, Ares Barstool
- Made in Europe



Artemis Armchair



5 YEAR WARRANTY



- Stackable
- Suitable for indoor and outdoor commercial use
- Made of UV stabilised polypropylene reinforced with glass fibre
- Dimensions: 565W x 580D x 830H x 450 Seat Height
- Arm Height: 675H
- Unit Weight: 5kg, SWL: 150kg
- Supplied assembled
- Weather resistant, UV Stabilised, Glass fibre reinforced
- Stocked In: Anthracite, Black, White, Chocolate, Taupe
- Replaceable feet
- CATAS Tested
- Matching Products: Ares Chair, Ares Barstool
- Made in Europe



Artemis XL Armchair



5 YEAR WARRANTY



- Stackable
- Suitable for indoor and outdoor commercial use
- Made of UV stabilised polypropylene reinforced with glass fibre
- Dimensions: 710W x 760D x 890H x 380 Seat Height
- Unit Weight: 10kg, SWL: 150kg
- Supplied assembled
- Weather resistant, UV Stabilised, Glass fibre reinforced
- Stocked In: Anthracite, Black, White, Silver Grey, Taupe
- Optional cushions available in Beige, Grey & White only – 50mm thick cushion covered with polyester fabric & finished with piping
- CATAS Tested
- Matching Products: Ares Chair, Ares Barstool
- Made in Europe



Avoca Chair



- Stackable
- Suitable for indoor commercial use only
- Seat: 10mm Basswood veneer bentwood shell with lacquer finish
- Frame: Heavy duty DIA22.2 x 1.8mm tube chrome legs
- Dimensions: 515W x 550D x 860H x 450 Seat Height
- Unit Weight: 4kg
- SWL: 120kg
- Supplied unassembled - easy to assemble
- Stocked In: Black, White, Beech
- Replaceable feet
- Matching Products: Avoca Barstool
- Made in China



Avoca PVC Chair



- Stackable
- Suitable for indoor commercial use only
- Seat: 10MM Basswood veneer bentwood shell, foam lined with PVC finish and stitched edge
- Frame: Heavy duty DIA22.2 x 1.8MM tube chrome legs
- Dimensions: 515W x 550D x 860H x 450 Seat Height
- Unit Weight: 4kg
- SWL: 120kg
- Supplied unassembled - easy to assemble
- Stocked In: Black
- Replaceable feet
- Matching Products: Avoca PVC Barstool
- Made in China



Corio Mk2 Chair



- Stackable
- Suitable for indoor commercial use only
- Seat: Quality PU vinyl
- Frame: Heavy duty welded tubes chrome legs
- Dimensions: 430W x 600D x 930H x 500 Seat Height
- Unit Weight: 5kg
- SWL: 120kg
- Supplied unassembled - easy to assemble
- Stocked In: Black, Chocolate
- Replaceable feet
- Matching Products: Corio Mk2 Barstool
- Made in China



Cross Chair



- Stackable
- Suitable for indoor or outdoor use
- Made of UV stabilised polypropylene reinforced with glass fibre
- Dimensions: W510 x D510 x H870 Seat Height 440
- Unit Weight: 3.6kg
- SWL: 150kg
- Supplied assembled
- Stocked In: Anthracite, Black, White, Taupe & Olive Green
- Weather resistant, UV Stabilised, Glass fibre reinforced
- Made in Europe



Diva Chair



- Stackable
- Suitable for indoor and outdoor commercial use
- Made of UV stabilised polypropylene reinforced with glass fibre
- Dimensions: 575W x 520D x 850H x 470 Seat Height
- Arm Height: 650H
- Unit Weight: 5kg, SWL: 150kg
- Supplied assembled
- Weather resistant, UV Stabilised, Glass fibre reinforced
- Stocked In: Anthracite, Black, Green, Silver Grey, Red, White
- Special Order Colours: Light Blue
- Replaceable feet, Drainage hole available at an extra cost
- CATAS Tested
- Made in Europe



Dolce Chair



5 YEAR WARRANTY



- Stackable
- Suitable for indoor and outdoor commercial use
- Seat: Made of UV stabilised polypropylene
- Legs: Strong DIA25MM anodized aluminium legs - Will not rust
- Dimensions: 555W x 570D x 800H x 450 Seat Height
- Arm Height: 655H
- Unit Weight: 4kg, SWL: 150kg
- Supplied assembled, Weather resistant, UV Stabilised
- Stocked In: Anthracite, Black, Green, Orange, Red, White
- Special Order Colours: Beige
- Replaceable feet, Drainage hole available at an extra cost
- Matching Products: Vita Chair, Gio Barstool
- Made in Europe



Dream Folding Chair



5 YEAR WARRANTY



- Stackable
- Suitable for indoor or outdoor use
- Designed by Frederic Boonen
- Folds flat for stacking and ease of storage
- Made of UV stabilised polypropylene reinforced with glass fibre
- Dimensions:
- Open: W480 x D520 x H820 Seat Height 450
- Flat: W480 x D110 x H940
- Unit Weight: 5.5kg
- SWL: 150kg
- Supplied assembled
- Weather resistant
- Made in Europe



Felix Chair - Ply Seat



2 YEAR WARRANTY



- Suitable for indoor commercial use only
- Seat: moulded ply seat
- Frame: powder coated steel - stocked in black or white. Many other colours available to order.
- Legs: Solid Timber
- Dimensions: 525W x 510D x 810H
- Seat Height: 460mm
- Chair comes flat packed (Chair can be supplied assembled at extra cost)
- Stocked In: White Frame / Natural, Black Frame / Lancaster Oak
- Matching Products: Felix Chair - Vinyl Seat, Felix Barstool - Ply Seat, Felix Barstool - Vinyl Seat
- Made in Europe



Felix Chair - Vinyl Seat



2 YEAR WARRANTY



- Suitable for indoor commercial use only
- Seat: moulded ply with foam and black vinyl. Other colours available import to order
- Frame: powder coated steel - stocked in black or white. Many other colours available import to order.
- Legs: Solid Timber
- Dimensions: 525W x 510D x 810H
- Seat Height: 490mm
- Chair comes flat packed (Chair can be supplied assembled at extra cost)
- Stocked In: Black Frame / Chocolate, Black Frame / Lancaster Oak
- Matching Products: Felix Chair - Ply Seat, Felix Barstool - Ply Seat, Felix Barstool - Vinyl Seat
- Made in Europe



Florence Chair - Timber Seat



2 YEAR WARRANTY



- Suitable for indoor commercial use only
- Seat: Stain finish solid European beech
- Frame: Quality stain finish solid European beech
- Dimensions: 440W x 440D x 850H x 460 Seat Height
- Unit Weight: 8kg
- SWL: 120kg
- Chair frame comes assembled - seat is to be installed with screws supplied (Chair can be supplied assembled at extra cost)
- Stocked In: Chocolate, Natural
- Matching Products: Florence Barstool - Timber Seat
- Made in China & Europe



Note: Specifications based on Chinese product. Slight differences will be found with the European Version.

Florence Chair - Vinyl Seat



- Suitable for indoor commercial use only
- Seat: Quality foam and vinyl (Chocolate and Black)
- Frame: Quality stain finish solid European beech
- Dimensions: 440W x 440D x 850H x 480 Seat Height
- Unit Weight: 8kg
- SWL: 120kg
- Chair frame comes assembled - seat is to be installed with screws supplied (Chair can be supplied assembled at extra cost)
- Stocked In: Chocolate, Natural
- Matching Products: Florence Barstool - Vinyl Seat
- Made in China & Europe

Note: Specifications based on Chinese product. Slight differences will be found with the European Version.



Genoa Chair - Timber Seat



- Suitable for indoor commercial use only
- Seat: Stain finish solid European beech wood
- Frame: Quality stain finish solid European beech wood with Steel bracing
- Dimensions: 425W x 425D x 810H x 450 Seat Height
- Unit Weight: 9kg
- SWL: 120 kg
- Supplied unassembled - easy to assemble (Chair can be supplied assembled at extra cost)
- Stocked In: Antique Walnut
- Matching Products: Genoa Stool - Timber Seat, Genoa Barstool - Timber Seat
- Made in China



Genoa Chair - Vinyl Seat



- Suitable for indoor commercial use only
- Seat: Vinyl Seat
- Frame: Quality stain finish solid European beech wood with Steel bracing
- Dimensions: 425W x 425D x 810H x 480 Seat Height
- Unit Weight: 8kg
- SWL: 120 kg
- Supplied unassembled - easy to assemble (Chair can be supplied assembled at extra cost)
- Stocked In: Antique Walnut Stain & Dark Tan Vinyl
- Matching Products: Genoa Stool - Vinyl Seat, Genoa Barstool - Vinyl Seat
- Made in China



Lisa Armchair



- Stackable
- Suitable for indoor and outdoor commercial use
- Made of UV stabilised polypropylene reinforced with glass fibre
- Dimensions: 540W x 530D x 820H x 450 Seat Height
- Unit Weight: 3.8kg, SWL: 150kg
- Supplied assembled
- Weather resistant, UV Stabilised, Glass fibre reinforced
- Stocked In: Anthracite, Black, White, Taupe
- Special Order Colours: Red & Olive Green
- CATAS Tested
- Made in Europe



Loft Armchair



- Stackable
- Suitable for indoor and outdoor commercial use
- Made of UV stabilised polypropylene reinforced with glass fibre
- Dimensions: 540W x 530D x 820H x 450 Seat Height
- Unit Weight: 3.7kg, SWL: 150kg
- Supplied assembled
- Weather resistant, UV Stabilised, Glass fibre reinforced
- Stocked In: Anthracite, Black, White, Taupe
- Special Order Colours: Olive Green
- CATAS Tested
- Made in Europe



Lucy Chair



5 YEAR WARRANTY



- Stackable
- Suitable for indoor and outdoor commercial use
- Made of UV stabilised polypropylene reinforced with glass fibre
- Dimensions: 450W x 530D x 820H x 450 Seat Height
- Unit Weight: 3.3kg, SWL: 150kg
- Supplied assembled
- Weather resistant, UV Stabilised, Glass fibre reinforced
- Stocked In: Anthracite, Black, White, Taupe
- Special Order Colours: Olive Green
- CATAS Tested
- Made in Europe



Marcel Chair



5 YEAR WARRANTY



- Stackable
- Suitable for indoor or outdoor use
- Made of UV stabilised polypropylene reinforced with glass fibre
- Dimensions: W450 x D520 x H850 Seat Height 440
- Unit Weight: 3.5kg
- SWL: 150Kg
- Supplied assembled
- Stocked In: Anthracite, Black, White, Taupe & Olive Green
- Weather resistant, UV Stabilised, Glass fibre reinforced
- Made in Europe



Marcel XL Armchair



5 YEAR WARRANTY



- Stackable
- Suitable for indoor or outdoor use
- Made of UV stabilised polypropylene reinforced with glass fibre
- Dimensions: W570 x D520 x H850 Seat Height 440
- Unit Weight: 3.9kg
- SWL: 150Kg
- Supplied assembled
- Stocked In: Anthracite, Black, White, Taupe & Olive Green
- Weather resistant, UV Stabilised, Glass fibre reinforced
- Made in Europe



Maya Chair



5 YEAR WARRANTY



- Stackable
- Suitable for indoor and outdoor commercial use
- Made of UV stabilised polypropylene reinforced with glass fibre
- Dimensions: 460W x 535D x 815H x 450 Seat Height
- Unit Weight: 4kg
- SWL: 150kg
- Supplied assembled
- Weather resistant, UV Stabilised, Glass fibre reinforced
- Stocked In: Anthracite, Black, Orange, Silver Grey, White, Green
- Replaceable feet
- CATAS Tested
- Matching Products: Maya Barstool
- Made in Europe



Memphis Chair



2 YEAR WARRANTY



- Suitable for indoor commercial use only
- Dimensions: 440W x 495D x 865H
- Seat: Quality foam and vinyl (Black)
- Frame: Quality stain finish solid European Beech
- Stocked in Natural or Wenge Frame with Black Vinyl Seat
- 30 Frame colours and 26 Fabric Options available for custom orders
- Made in Europe



Monna Chair



5 YEAR WARRANTY



- Stackable
- Suitable for indoor and outdoor commercial use
- Made of UV stabilised polypropylene reinforced with glass fibre
- Dimensions: 450W x 530D x 820H x 450 Seat Height
- Unit Weight: 3.8kg, SWL: 150kg
- Supplied assembled
- Weather resistant, UV Stabilised, Glass fibre reinforced
- Stocked In: Anthracite, Black, White, Taupe
- Special Order Colours: Red & Olive Green
- CATAS Tested
- Made in Europe



Ottoman



Rectangle



2 YEAR WARRANTY



- Suitable for indoor commercial use only
- Seat: Quality vinyl
- Frame: Strong timber frame
- Dimensions Cube: 430W x 430D x 450 Seat Height
- Dimensions Rectangle: 1200W x 430D x 450 Seat Height
- Cube Unit Weight: 6kg
- Rectangle Unit Weight: 13kg
- SWL: 120kg
- Cube Stocked In: Black, Chocolate, Red, Orange & Green
- Rectangle Stocked In: Black, Chocolate, Red
- Replaceable feet
- Made in China



Palm Armchair



2 YEAR WARRANTY



- Stackable up to 6 high
- Suitable for indoor and outdoor commercial use
- Seat & Back: Flat wire reinforced UV stabilized PE Wicker
- Frame: Fully welded heavy duty aluminium legs
- Dimensions: 560W x 550D x 880H x 450 Seat Height
- Arm Height: 665
- Unit Weight: 5kg
- SWL: 120kg
- Supplied assembled
- Stocked In: Chocolate
- Replaceable feet
- Matching Products: Palm Chair, Palm Barstool
- Made in China



Palm Chair



2 YEAR WARRANTY



- Stackable up to 6 high
- Suitable for indoor and outdoor commercial use
- Seat & Back: Flat wire reinforced UV stabilized PE Wicker
- Frame: Fully welded heavy duty aluminium legs
- Dimensions: 460W x 570D x 900H x 460 Seat Height
- Unit Weight: 5kg
- SWL: 120kg
- Supplied assembled
- Stocked In: Chocolate
- Replaceable feet
- Matching Products: Palm Armchair, Palm Barstool
- Made in China



Sky Chair



5 YEAR WARRANTY



- Suitable for indoor and outdoor commercial use
- Made of UV stabilised polypropylene reinforced with glass fibre
- Dimensions: 540W x 600D x 810H x 450 Seat Height
- Unit Weight: 5kg
- SWL: 150kg
- Supplied unassembled - Assembly required
- Weather resistant, UV Stabilised, Glass fibre reinforced
- Stocked In: Black, Anthracite, Red, White, Mango & Taupe
- CATAS Tested
- Made in Europe



Sky Lounge



- Suitable for indoor and outdoor commercial use
- Made of UV stabilised polypropylene reinforced with glass fibre
- Dimensions: 600W x 710D x 830H x 380 Seat Height
- Unit Weight: 5.2kg
- SWL: 150kg
- Supplied unassembled - Assembly required
- Weather resistant, UV Stabilised, Glass fibre reinforced
- Stocked In: Black, Anthracite, Red, White, Mango & Taupe
- CATAS Tested
- Made in Europe



Snow Chair



- Stackable
- Suitable for indoor or outdoor use
- Made of UV stabilised polypropylene reinforced with glass fibre
- Dimensions: W520 x D560 x H830 Seat Height 470
- Unit Weight: 4.4kg
- SWL: 150kg
- Supplied assembled
- Weather resistant, UV Stabilised, Glass fibre reinforced
- Level 4 AFRDI Approved - Black
- Stocked In: Black, Red, Anthracite, Taupe, Mango, White
- Made in Europe



Vetro Chair



- Stackable
- Suitable for indoor commercial use only
- Seat: Quality vinyl
- Frame: Strong durable fully welded aluminium frame with timber look legs
- Dimensions: 470W x 570D x 940H x 480 Seat Height
- Unit Weight: 6kg
- SWL: 120kg
- Supplied assembled
- Stocked In: Black Vinyl - Brown Legs, Chocolate Vinyl - Brown Legs
- Made in China



Victor Chair



- Stackable
- Suitable for indoor or outdoor use
- Made of UV stabilised polypropylene reinforced with glass fibre
- Dimensions: W450 x D520 x H850 Seat Height 440
- Unit Weight: 3.6kg
- SWL: 150kg
- Supplied assembled
- Stocked In: Anthracite, Black, White, Taupe & Olive Green
- Weather resistant, UV Stabilised, Glass fibre reinforced
- Made in Europe



Victor XL Armchair



- Stackable
- Suitable for indoor or outdoor use
- Made of UV stabilised polypropylene reinforced with glass fibre
- Dimensions: W570 x D520 x H850 Seat Height 440
- Unit Weight: 4kg
- SWL: 150kg
- Supplied assembled
- Stocked In: Anthracite, Black, White, Taupe & Olive Green
- Weather resistant, UV Stabilised, Glass fibre reinforced
- Made in Europe



Vienna Chair - Timber Seat



- Suitable for indoor commercial use only
- Seat: Stain finish solid European Beech
- Frame: Quality stain finish solid European beech wood
- Dimensions: 390W x 420D x 780H x 460 Seat Height
- Unit Weight: 6kg
- SWL: 120kg
- Chair frame comes assembled - seat is to be installed with screws supplied (Chair can be supplied assembled at extra cost)
- Stocked In: Chocolate, Natural
- Matching Products: Vienna Barstool - Timber Seat
- Made in China & Europe

Note: Specifications based on Chinese product. Slight differences will be found with the European Version.



Vita Chair



- Stackable up to 6 high
- Suitable for indoor and outdoor commercial use
- Seat: Made of UV stabilised polypropylene
- Legs: Strong DIA25MM anodized aluminium legs - Will not rust
- Dimensions: 485W x 570D x 800H x 450 Seat Height
- Unit Weight: 3kg, SWL: 150kg, Supplied assembled
- Weather resistant, UV Stabilised
- Stocked In: Anthracite, Black, Green, Orange, Red, White
- Special Order Colours: Beige
- Replaceable feet, Drainage hole available at an extra cost
- Level 4 AFRDI Approved - Black
- Matching Products: Dolce Armchair, Gio Barstool
- Made in Europe



Zeb Chair



- Stackable
- Suitable for indoor commercial use only
- Seat: Quality vinyl
- Frame: Strong durable fully welded steel frame
- Dimensions: 460W x 570D x 960H x 460 Seat Height
- Unit Weight: 7kg
- SWL: 120kg
- Supplied assembled
- Stocked In: Black Vinyl - Black Legs
- Made in China



Chair Trolley



- Suitable for Vita, Dolce, Diva, Maya, Ares, Artemis, Verona, Capri, Florida & Ibiza Chairs.
- Made with a strong durable fully welded steel frame and foam filled tyres
- Unit Weight: 30kg
- Supplied assembled
- Stocked In: Black hammer tone
- Replaceable tyres and stacking crates





INDOOR/OUTDOOR STOOLS



Air Barstool 65/75



5 YEAR WARRANTY



- Suitable for indoor and outdoor commercial use
- Made of UV stabilised polypropylene reinforced with glass fibre
- Dimensions:
65: 440W x 540D x 950H x 650 Seat Height
75: 440W x 540D x 1050H x 750 Seat Height
- Unit Weight: 5kg
- SWL: 135kg
- Supplied unassembled - easy to assemble
- Weather resistant, UV Stabilised, Glass fibre reinforced
- Stocked In: Anthracite, Black, White, Red, Orange, Green, Taupe
- Replaceable feet
- CATAS Tested
- Matching Products: Air Chair, Air XL Armchair
- Made in Europe



Ares Barstool



5 YEAR WARRANTY



- Stackable
- Suitable for indoor and outdoor commercial use
- Made of UV stabilised polypropylene reinforced with glass fibre
- Dimensions: 480W x 580D x 820H x 750 Seat Height
- Unit Weight: 6.2kg
- SWL: 135kg
- Supplied assembled
- Weather resistant, UV Stabilised - Will not fade under direct sunlight
- Stocked in: Anthracite, Black, White, Chocolate, Taupe
- Made in Europe



Block Stool



2 YEAR WARRANTY



- Suitable for indoor commercial use only
- Seat: Quality vinyl
- Frame: Fully welded heavy duty 25x25x1.5MM 304 grade stainless steel frame
- Dimensions: 390W x 390D x 820 Seat Height
- Unit Weight: 5kg
- SWL: 120kg
- Supplied assembled
- Stocked In: Black Vinyl - Brushed Stainless Steel Frame
- Replaceable feet
- Made in China



Corio Mk2 Barstool



2 YEAR WARRANTY



- Stackable
- Suitable for indoor commercial use only
- Seat: Quality vinyl
- Frame: Fully welded heavy duty tube chrome leg frame
- Dimensions: 470W x 510D x 1025H x 765 Seat Height
- Unit Weight: 6kg
- SWL: 120kg
- Supplied unassembled - easy to assemble
- Stocked In: Black, Chocolate
- Replaceable feet
- Matching Products: Corio Mk2 Chair
- Made in China



Cross Bar Stool 65/75



5 YEAR WARRANTY



- Suitable for indoor and outdoor commercial use
- Made of UV stabilised polypropylene reinforced with glass fibre
- Dimensions:
65: 450W x 500D x 960H x 650 Seat Height
75: 450W x 520D x 1060H x 750 Seat Height
- Unit Weight: 5kg
- SWL: 135kg
- Supplied unassembled - easy to assemble
- Weather resistant, UV Stabilised, Glass fibre reinforced
- Stocked In: Anthracite, Black, White, Olive Green, Taupe
- Replaceable feet
- Matching Products: Cross Chair
- Made in Europe



Cruza Stool



2 YEAR WARRANTY



- Suitable for indoor and outdoor commercial use
- Supplied Frame Only: Fully Welded Heavy Duty Brushed 304 Grade Stainless Steel
- Optional Featured Seat: Werzalit by Gentas Stool Top DIA340 - See page 24
- Dimensions: 380W x 380D x 760 Seat Height
- Unit Weight: 8kg
- SWL: 120kg
- Frame supplied assembled (seat can be attached at extra cost)
- Replaceable feet
- Frame made in Australia
- Seat made in Europe



Felix Barstool - Ply Seat



2 YEAR WARRANTY



- Suitable for indoor commercial use only
- Seat: moulded ply seat
- Frame: powder coated steel - stocked in black or white. Many other colours available to order.
- Legs: Solid Timber
- Dimensions: 580W x 595D x 1085H
- Seat Height: 740mm
- Chair comes flat packed (Chair can be supplied assembled at extra cost)
- Stocked In: White Frame / Natural, Black Frame / Lancaster Oak
- Matching Products: Felix Barstool - Vinyl Seat, Felix Chair - Ply Seat, Felix Chair - Vinyl Seat
- Made in Europe



Felix Barstool - Vinyl Seat



2 YEAR WARRANTY



- Suitable for indoor commercial use only
- Seat: moulded ply with foam and black vinyl. Other colours available import to order
- Frame: powder coated steel - stocked in black or white. Many other colours available import to order.
- Legs: Solid Timber
- Dimensions: 580W x 595D x 1085H
- Seat Height: 760mm
- Stool comes flat packed (Chair can be supplied assembled at extra cost)
- Stocked In: Black Frame / Chocolate, Black Frame / Lancaster Oak
- Matching Products: Felix Barstool - Ply Seat, Felix Chair - Ply Seat, Felix Chair - Vinyl Seat
- Made in Europe



Florence Stool - Timber Seat



- Suitable for indoor commercial use only
- Seat: Stain finish solid European beech
- Frame: Quality stain finish solid European beech
- Dimensions: 440W x 440D x 1100H x 750 Seat Height
- Unit Weight: 10kg
- SWL: 120kg
- Chair frame comes assembled - seat is to be installed with screws supplied (Chair can be supplied assembled at extra cost)
- Stocked In: Chocolate, Natural
- Matching Products: Florence Chair - Timber Seat
- Made in China & Europe

Note: Specifications based on Chinese product. Slight differences will be found with the European Version.



Florence Stool - Vinyl Seat



- Suitable for indoor commercial use only
- Seat: Quality foam and vinyl (Chocolate and Black)
- Frame: Quality stain finish solid European Beech
- Dimensions: 440W x 440D x 1100H x 780 Seat Height
- Unit Weight: 10kg
- SWL: 120kg
- Chair frame comes assembled - seat is to be installed with screws supplied (Chair can be supplied assembled at extra cost)
- Stocked In: Chocolate, Natural
- Matching Products: Florence Chair - Vinyl Seat
- Made in China & Europe

Note: Specifications based on Chinese product. Slight differences will be found with the European Version.



Genoa Stool & Barstool - Timber Seat



- Suitable for indoor commercial use only
- Seat: Stain finish solid European beech wood
- Frame: Quality stain finish solid European beech wood with St
- Barstool Dimensions:
65: 425W x 425D x 1010H x 650 Seat Height
75: 425W x 425D x 1090H x 730 Seat Height
- Stool Dimensions:
45: 425W x 425D x 450 Seat Height
65: 425W x 425D x 650 Seat Height
75: 425W x 425D x 730 Seat Height
- Barstool Unit Weight: 10kg
- Stool Unit Weight: 8kg
- SWL: 120 kg
- Supplied unassembled - easy to assemble
- Stocked In: Antique Walnut
- Made in South East Asia



Genoa Stool & Barstool - Vinyl Seat



- Suitable for indoor commercial use only
- Seat: Vinyl Seat
- Frame: Quality stain finish solid European beech wood with St
- Barstool Dimensions:
65: 425W x 425D x 1010H x 680 Seat Height
75: 425W x 425D x 1090H x 760 Seat Height
- Stool Dimensions:
45: 425W x 425D x 480 Seat Height
65: 425W x 425D x 680 Seat Height
75: 425W x 425D x 760 Seat Height
- Barstool Unit Weight: 9kg
- Stool Unit Weight: 7kg
- SWL: 120 kg
- Supplied unassembled - easy to assemble
- Stocked In: Antique Walnut
- Made in South East Asia



Gio Stool



5 YEAR WARRANTY



- Stackable
- Suitable for indoor and outdoor commercial use
- Seat: Made of UV stabilised polypropylene
- Legs: Strong 25x25MM anodized aluminium legs - Will not rust
- Dimensions: 470W x 490D x 955H x 765 Seat Height
- Unit Weight: 4kg
- SWL: 135kg
- Supplied assembled
- Weather resistant, UV Stabilised
- Stocked In: Black, Green, Red, Orange, White
- Special Order Colours: Beige
- Replaceable feet
- Matching Products: Vita Chair, Dolce Armchair
- Made in Europe



Marcel Bar Stool 65/75



5 YEAR WARRANTY



- Suitable for indoor and outdoor commercial use
- Made of UV stabilised polypropylene reinforced with glass fibre
- Dimensions:
65: 440W x 500D x 960H x 650 Seat Height
75: 450W x 520D x 1060H x 750 Seat Height
- Unit Weight: 5kg
- SWL: 135kg
- Supplied unassembled - easy to assemble
- Weather resistant, UV Stabilised, Glass fibre reinforced
- Stocked In: Anthracite, Black, White, Olive Green, Taupe
- Replaceable feet
- Matching Products: Marcel Chair & Marcel XL Armchair
- Made in Europe



Maya Barstool 65/75



5 YEAR WARRANTY



- Stackable
- Suitable for indoor and outdoor commercial use
- Made of UV stabilised polypropylene reinforced with glass fibre
- Dimensions: 440W x 500D x 980H x 650 Seat Height
- Unit Weight: 5kg
- SWL: 135 kg
- Supplied assembled
- Weather resistant, UV Stabilised
- Stocked in: Black, Anthracite, Taupe, White
- Matching product to the Maya Chair
- Made in Europe



Palm Stool



2 YEAR WARRANTY



- Suitable for indoor and outdoor commercial use
- Seat & Back: Flat wire reinforced UV stabilized PE Wicker
- Frame: Fully welded heavy duty aluminium legs
- Dimensions: 470W x 530D x 1100H x 780 Seat Height
- Unit Weight: 5kg
- SWL: 120kg
- Supplied assembled
- Stocked In: Chocolate
- Replaceable feet
- Matching Products: Palm Chair, Palm Armchair
- Made in China



Victor Bar Stool 65/75



5 YEAR WARRANTY



- Suitable for indoor and outdoor commercial use
- Made of UV stabilised polypropylene reinforced with glass fibre
- Dimensions:
65: 440W x 500D x 960H x 650 Seat Height
75: 450W x 520D x 1060H x 750 Seat Height
- Unit Weight: 5kg
- SWL: 135kg
- Supplied unassembled - easy to assemble
- Weather resistant, UV Stabilised, Glass fibre reinforced
- Stocked In: Anthracite, Black, White, Olive Green, Taupe
- Matching Products: Victor Chair & Victor XL Armchair
- Made in Europe



Vienna Stool - Timber Seat



2 YEAR WARRANTY

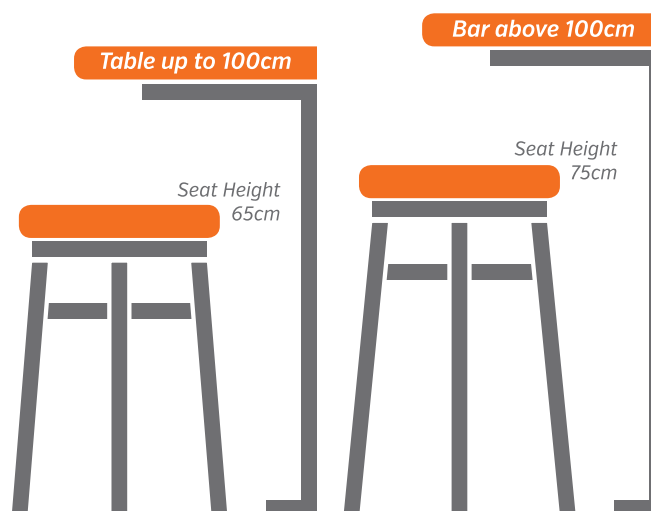


- Suitable for indoor commercial use only
- Seat: Stain finish solid European beech
- Frame: Quality stain finish solid European beech
- Dimensions: 390W x 420D x 1070H x 760 Seat Height
- Unit Weight: 6kg
- SWL: 120kg
- Chair frame comes assembled - seat is to be installed with screws supplied (Chair can be supplied assembled at extra cost)
- Stocked In: Chocolate, Natural
- Matching Products: Vienna chair - Timber Seat
- Made in China & Europe

Note: Specifications based on Chinese product. Slight differences will be found with the European Version.



HOW TO CHOOSE THE RIGHT STOOL HEIGHT





RESIN RATTAN RANGE



Aruba Armchair



- Stackable
- Suitable for indoor and outdoor commercial use
- Made of UV stabilised polypropylene reinforced with glass fibre
- Seat: Beige cushion available at an extra cost - 50mm thick cushion covered with polyester fabric & finished with piping, washable & suitable for outdoor use
- Dimensions: 740W x 750D x 800H x 440 Seat Height
- Arm Height: 650 up to 750 H
- Unit Weight: 7.5kg, SWL: 150kg, Supplied assembled
- Weather resistant, UV Stabilised, Glass fibre reinforced
- Stocked In: Anthracite, Chocolate - Special Order Colours: White
- Replaceable feet, CATAS Tested
- Matching Products: All Resin Rattan Range Products
- Made in Europe
- 3 Month warranty on cushions



California Tub Chair



- Suitable for indoor and outdoor commercial use
- Made of UV stabilised polypropylene reinforced with glass fibre
- Seat: Beige cushion available at an extra cost - 50mm thick cushion covered with polyester fabric & finished with piping, washable & suitable for outdoor use
- Dimensions: 590W x 630D x 900H x 420 Seat Height
- Arm Height: 650H
- Unit Weight: 10kg, SWL: 150kg, Supplied unassembled - easy to assemble
- Weather resistant, UV Stabilised, Glass fibre reinforced
- Stocked In: Anthracite, Chocolate - Special Order Colours: White
- Replaceable feet
- CATAS Tested
- Matching Products: All Resin Rattan Range Products
- Made in Europe
- 3 Month warranty on cushions



Capri Chair



- Stackable
- Suitable for indoor and outdoor commercial use
- Made of UV stabilised polypropylene reinforced with glass fibre
- Dimensions: 560W x 600D x 840H x 450 Seat Height
- Arm Height: 660H
- Unit Weight: 4kg, SWL: 150kg, Supplied assembled
- Weather resistant, UV Stabilised, Glass fibre reinforced
- Stocked In: Anthracite, Chocolate - Special Order Colours: White
- Replaceable feet
- CATAS Tested
- Matching Products: Verona Chair, All Resin Rattan Range Products
- Made in Europe



Daytona Chair



- Stackable
- Suitable for indoor and outdoor commercial use
- Made of UV stabilised polypropylene reinforced with glass fibre
- Dimensions: 550W x 610D x 810H x 450 Seat Height
- Unit Weight: 3.5kg, SWL: 150kg
- Supplied assembled
- Weather resistant, UV Stabilised, Glass fibre reinforced
- Stocked In: Anthracite, Chocolate
- Special Order Colours: White
- Replaceable feet
- CATAS Tested
- Matching Products: Panama Armchair, All Resin Rattan Range Products
- Made in Europe



Florida Chair



- Stackable
- Suitable for indoor and outdoor commercial use
- Made of UV stabilised polypropylene reinforced with glass fibre
- Dimensions: 450W x 550D x 880H x 460 Seat Height
- Unit Weight: 4kg, SWL: 150kg
- Supplied assembled
- Weather resistant, UV Stabilised, Glass fibre reinforced
- Stocked In: Anthracite, Chocolate
- Special Order Colours: White
- Replaceable feet
- CATAS Tested
- Matching Products: Ibiza Armchair, Jamaica Barstool, All Resin Rattan Range Products
- Made in Europe



Ibiza Armchair



- Stackable
- Suitable for indoor and outdoor commercial use
- Made of UV stabilised polypropylene reinforced with glass fibre
- Dimensions: 570W x 550D x 880H x 460 Seat Height
- Arm Height: 650H
- Unit Weight: 5.5kg, SWL: 150kg, Supplied assembled
- Weather resistant, UV Stabilised, Glass fibre reinforced
- Stocked In: Anthracite, Chocolate
- Special Order Colours: White
- Replaceable feet
- CATAS Tested
- Matching Products: Florida Chair, Jamaica Barstool, All Resin Rattan Range Products
- Made in Europe



Jamaica Barstool



- Stackable
- Suitable for indoor and outdoor commercial use
- Made of UV stabilised polypropylene reinforced with glass fibre
- Dimensions: 430W x 490D x 110H x 750 Seat Height
- Unit Weight: 5kg, SWL: 135kg
- Supplied assembled
- Weather resistant, UV Stabilised, Glass fibre reinforced
- Stocked In: Anthracite, Chocolate
- Special Order Colours: White
- Replaceable feet
- CATAS Tested
- Matching Products: Florida Chair, Ibiza Armchair, All Resin Rattan Range Products
- Made in Europe



Panama Armchair



- Stackable
- Suitable for indoor and outdoor commercial use
- Made of UV stabilised polypropylene reinforced with glass fibre
- Dimensions: 580W x 640D x 800H x 450 Seat Height
- Arm Height: 680 - 780H
- Unit Weight: 5kg, SWL: 150kg, Supplied assembled
- Weather resistant, UV Stabilised, Glass fibre reinforced
- Stocked In: Anthracite, Chocolate
- Special Order Colours: White
- Replaceable feet
- CATAS Tested
- Matching Products: Daytona Chair, All Resin Rattan Range Products
- Made in Europe



Verona Chair



- Stackable
- Suitable for indoor and outdoor commercial use
- Made of UV stabilised polypropylene reinforced with glass fibre
- Dimensions: 470W x 600D x 840H x 455 Seat Height
- Unit Weight: 3.6kg, SWL: 150kg, Supplied assembled
- Weather resistant, UV Stabilised, Glass fibre reinforced
- Stocked In: Anthracite, Chocolate
- Special Order Colours: White
- Replaceable feet
- CATAS Tested
- Matching Products: Capri Armchair, All Resin Rattan Range Products
- Made in Europe



Ares 80 Table - 800x800



- Suitable for indoor use
- Suitable for shaded outdoor use*
- Available in: Black, White, Anthracite, Chocolate, Taupe & Caramel
- Dimensions: 800L x 800W x 750H
- Supplied unassembled
- The Ares Table is produced with a single injection of polypropylene by means of the latest generation of air moulding technology
- Unit Weight: 14 kg
- Weather resistant, semi UV Stabilised



*Warranty will not cover excessive fading if placed in direct sunlight.

Ares 140 Table - 1400x800



5 YEAR WARRANTY



- Suitable for indoor use
- Suitable for shaded outdoor use*
- Available in: Black, White, Anthracite, Chocolate, Taupe & Caramel
- Dimensions: 1400L x 800W x 750H
- Supplied unassembled
- The Ares Table is produced with a single injection of polypropylene by means of the latest generation of air moulding technology
- Unit Weight: 14 kg
- Weather resistant, semi UV Stabilised

*Warranty will not cover excessive fading if placed in direct sunlight.



Bali Table - 940x940



5 YEAR WARRANTY



- Suitable for indoor and outdoor commercial use
- Top: 5MM dark tempered glass top
- Frame: Aluminium frame covered with UV stabilised polypropylene
- Dimensions: 940W x 940D x 750H
- Unit Weight: 22kg
- Supplied unassembled - easy to assemble
- Weather resistant, UV Stabilised
- Stocked In: Anthracite, Chocolate - Special Order Colours: White
- 4 x adjustable Feet
- Replaceable feet
- CATAS Tested
- Matching Products: Tahiti Table, All Resin Rattan Range Products
- Made in Europe



Ibiza Table



5 YEAR WARRANTY



- Suitable for indoor and outdoor commercial use*
- Available Sizes: 800x800SQ, 1400x800RCT, 1800x900RCT
- Unit Weights: 800x800 - 18kg, 1400x800 - 31kg, 1800x900 - 41kg
- Supplied unassembled - easy to assemble
- Weather resistant, UV Stabilised
- Stocked In: Anthracite, Chocolate - Special Order Colours: White
- Made in Europe
- Matching Products: All other products in the Resin Rattan Range

* Only white table tops are covered under warranty for use in direct sunlight conditions. Tables with dark coloured tops should only be used in shaded outdoor areas.



Orlando Table - 800x800



5 YEAR WARRANTY



- Suitable for indoor and outdoor commercial use
- Made with an aluminium frame covered with UV stabilised polypropylene
- Dimensions: 800W x 800D x 750H
- Unit Weight: 14kg
- Supplied unassembled - easy to assemble
- Weather resistant, UV Stabilised
- Stocked In: Anthracite, Chocolate
- Special Order Colours: White
- 4 x adjustable Feet
- Replaceable feet
- Matching Products: Orlando Table 1400x800, All Resin Rattan Range Products
- Made in Europe



Orlando Table - 1400x800



5 YEAR WARRANTY



- Suitable for indoor and outdoor commercial use
- Made with an aluminium frame covered with UV stabilised polypropylene
- Dimensions: 1400W x 800D x 750H
- Unit Weight: 23kg
- Supplied unassembled - easy to assemble
- Weather resistant, UV Stabilised
- Stocked In: Anthracite, Chocolate - Special Order Colours: White
- 4 x adjustable Feet
- Replaceable feet
- Matching Products: Orlando Table 800x800, All Resin Rattan Range Products
- Made in Europe



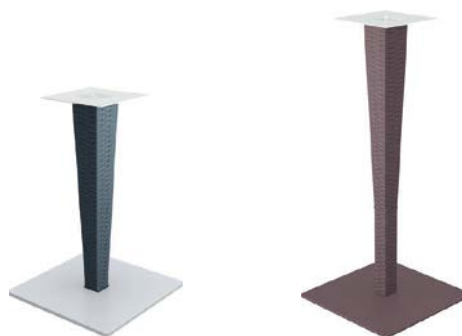
Riva Table & Bar Bases



5 YEAR WARRANTY



- Suitable for indoor and outdoor commercial use
- Made with an aluminium frame (painted) covered with UV stabilised polypropylene
- Table - Maximum Suitable Table Top Size: 800x800 - 15kg
Dimensions: 450W x 450D x 710H
Unit Weight: 8kg
- Bar Table - Maximum Suitable Table Top Size: 700x700 - 12kg
Dimensions: 450W x 450D x 1040H
Unit Weight: 11kg
- Supplied unassembled - easy to assemble
- Weather resistant, UV Stabilised
- Stocked In: Anthracite, Chocolate
- Special Order Colours: White
- Replaceable feet
- Matching Products: All Resin Rattan Range Products
- Made in Europe



Tahiti Table - 1800x940



5 YEAR WARRANTY



- Suitable for indoor and outdoor commercial use
- Top: SMM dark tempered glass top
- Frame: Aluminium frame covered with UV stabilised polypropylene
- Dimensions: 1800W x 940D x 750H
- Unit Weight: 32kg
- Supplied unassembled - easy to assemble
- Weather resistant, UV Stabilised
- Stocked In: Anthracite, Chocolate - Special Order Colours: White
- 4 x adjustable Feet
- Replaceable feet
- CATAS Tested
- Matching Products: Ball Table, All Resin Rattan Range Products
- Made in Europe



Monaco Lounge Table



5 YEAR WARRANTY



- Made of durable weather-resistant resin reinforced with glass fibre - will never unravel or rust!
- UV Protected
- Suitable for indoor and outdoor commercial use
- Dimensions: 930L x 550D x 470H
- Stocked in: Anthracite, Chocolate
- Special order colour: White
- Supplied unassembled
- The Monaco Lounge Table is designed for self assembly.
See assembly video at www.youtube.com/watch?v=sUikblGctew
- Made in Europe



Tequila Lounge Side Table - 450x450



5 YEAR WARRANTY



- Suitable for indoor and outdoor commercial use
- Made of UV stabilised polypropylene
- Dimensions: 450W x 450D x 450H
- Unit Weight: 2.5kg
- Supplied unassembled - easy to assemble
- Weather resistant, UV Stabilised
- Stocked In: Anthracite, Chocolate
- Special Order Colours: White
- Replaceable feet
- Matching Products: Tequila Lounge Coffee Table, All Resin Rattan Range Products
- Made in Europe



Tequila Lounge Coffee Table - 920x530



5 YEAR WARRANTY



- Suitable for indoor and outdoor commercial use
- Made of UV stabilised polypropylene
- Dimensions: 920W x 530D x 450H
- Unit Weight: 4.6kg
- Supplied unassembled - easy to assemble
- Weather resistant, UV Stabilised
- Stocked In: Anthracite, Chocolate
- Special Order Colours: White
- Replaceable feet
- Matching Products: Tequila Lounge Side Table, All Resin Rattan Range Products
- Made in Europe



Monaco Lounge Armchair



- Made of durable weather-resistant resin reinforced with glass fibre- will never unravel or rust!
- UV Protected
- Suitable for indoor and outdoor commercial use
- Dimensions: 820W x 790D x 790H x 350 Seat Height
- Optional cushions available (seat & back) in Beige only - 7 cm thick cushion covered with polyester fabric and finished with piping
- 3 Month warranty on cushions
- Stocked in: Anthracite, Chocolate
- Special order colour: White
- Supplied unassembled
- The Monaco Lounge Armchair is designed for self assembly.
See assembly video at www.youtube.com/watch?v=4QDF06rt6Bk
- Made in Europe



Monaco Lounge Extension



- Fits with Monaco Lounges
- Made of durable weather-resistant resin reinforced with glass fibre- will never unravel or rust!
- UV Protected
- Suitable for indoor and outdoor commercial use
- Stocked in: Anthracite, Chocolate
- Special order colour: White
- Supplied unassembled
- Made in Europe



Monaco Lounge Set



Includes:

- 2 x Monaco Lounge Armchairs (cushions optional)
- 1 x Monaco Lounge Sofa (cushions optional)
- 1 x Monaco Lounge Coffee Table

- Made of durable weather-resistant resin reinforced with glass fibre- will never unravel or rust!
- UV Protected
- Suitable for indoor and outdoor commercial use
- Optional cushions available (seat & back) in Beige only - 7 cm thick cushion covered with polyester fabric and finished with piping - 3 Month warranty on cushions
- Stocked in: Anthracite, Chocolate



- Special order colour: White
- Supplied unassembled
- Made in Europe

Monaco Lounge Set XL



Includes:

- 2 x Monaco Lounge Armchairs (cushions optional)
- 1 x Monaco Lounge Sofa XL (cushions optional)
- 1 x Monaco Lounge Coffee Table

- Made of durable weather-resistant resin reinforced with glass fibre- will never unravel or rust!
- UV Protected
- Suitable for indoor and outdoor commercial use
- Optional cushions available (seat & back) in Beige only - 7 cm thick cushion covered with polyester fabric and finished with piping - 3 Month warranty on cushions
- Stocked in: Anthracite, Chocolate



- Special order colour: White
- Supplied unassembled
- Made in Europe

Tequila Lounge Set



Includes:

- 2 x Tequila Lounge Armchairs (cushions optional)
- 1 x Tequila Lounge Sofa (cushions optional)
- 1 x Tequila Lounge Coffee Table
- 2 x Tequila Side Coffee Tables

- Stocked In: Anthracite, Chocolate



Tequila Lounge Armchair



5 YEAR
WARRANTY



- Stackable up to 3 high
- Suitable for indoor and outdoor commercial use
- Made of UV stabilised polypropylene reinforced with glass fibre
- Seat: Beige cushion available at an extra cost - 50mm thick cushion covered with polyester fabric & finished with piping, washable & suitable for outdoor use
- Dimensions: 720W x 760D x 890H x 380 Seat Height
- Arm Height: 670H
- Unit Weight: 9.3kg, SWL: 150kg, Supplied assembled
- Weather resistant, UV Stabilised, Glass fibre reinforced
- Stocked In: Anthracite, Chocolate - Special Order Colours: White
- Replaceable feet, CATAS Tested
- Matching Products: Tequila Lounge Sofa, All Resin Rattan Range Products
- Made in Europe
- 3 Month warranty on cushions



Tequila Lounge Sofa



5 YEAR
WARRANTY



- Stackable up to 3 high
- Suitable for indoor and outdoor commercial use
- Made of UV stabilised polypropylene reinforced with glass fibre
- Seat: Beige cushion available at an extra cost - 50mm thick cushion covered with polyester fabric & finished with piping, washable & suitable for outdoor use
- Dimensions: 1280W x 770D x 890H x 380 Seat Height
- Arm Height: 670H
- Unit Weight: 12.5kg, SWL: 150kg, Supplied assembled
- Weather resistant, UV Stabilised, Glass fibre reinforced
- Stocked In: Anthracite, Chocolate - Special Order Colours: White
- Replaceable feet, CATAS Tested
- Matching Products: Tequila Lounge Armchair, All Resin Rattan Range Products
- Made in Europe
- 3 Month warranty on cushions



Aqua Sunlounger



- Stackable
- Suitable for indoor and outdoor light commercial use
- Dimensions: 500W x 1870D x 300H
- Unit Weight: 10kg, SWL: 135kg
- Weather resistant, UV Stabilised
- Supplied assembled
- Stocked In: White
- Made in Europe



Fiji Sunlounger



- Stackable
- Suitable for indoor and outdoor commercial use
- Made of UV stabilised polypropylene reinforced with glass fibre
- Seat: Beige cushion available at an extra cost - 50mm thick cushion covered with polyester fabric & finished with piping, washable & suitable for outdoor use
- Optional high quality fabric cushion also available in chocolate & anthracite.
- Dimensions: 730W x 1870D x 440H
- Unit Weight: 14kg, SWL: 150kg, Supplied assembled
- Weather resistant, UV Stabilised, Glass fibre reinforced
- Stocked In: Anthracite, Chocolate, White
- Replaceable feet
- CATAS Tested
- Matching Products: All Resin Rattan Range Products
- Made in Europe
- 3 Month warranty on cushions



Havana Sunlounger



- Stackable
- Suitable for indoor and outdoor light commercial use
- Dimensions: 540W x 1870D x 300H
- Unit Weight: 12kg, SWL: 135kg
- Weather resistant, UV Stabilised
- Supplied assembled
- Stocked In: White
- Made in Europe



Pacific Sunlounger



- Stackable
- Weather resistant, UV Stabilised, Glass fibre reinforced
- Suitable for indoor and outdoor commercial use
- Frame: Made of UV stabilised polypropylene reinforced with glass fibre
- Seat: Made of breathable synthetic fabric
- Dimensions: 680W x 1930D x 350H
- Unit Weight: 16.5kg, SWL: 150 kg
- Supplied assembled
- Stocked In: White / White, White / Taupe, White / Turquoise, White / Blue, Dark Grey / Black, Black / Black
- Replaceable feet and fabric
- Made in Europe
- Matches with Ocean Side Table on page 33





THE NEW MYKONOS RANGE



Mykonos Lounge Armchair



5 YEAR
WARRANTY



- 5 year structural warranty
- Suitable for indoor and outdoor use
- Dimensions: 730W x 720D x 750H x 330 Seat Height
- Unit Weight: 14kg
- SWL: 150 kg
- Supplied unassembled – Easy assembly
- Weather resistant, UV Stabilised – Will not fade under direct sunlight
- Stocked in: White, Silver Grey & Taupe
- Optional cushions available in Beige, Anthracite, Light Brown & White only – 100mm thick cushion covered with Etilsilk polyester fabric and finished with piping. Cushions are specially designed for Mykonos Lounge Set. Water resistant with UV for indoor/outdoor use.
- CATAS Tested
- Made in Europe



Mykonos Extension Part



5 YEAR
WARRANTY



- 5 year structural warranty
- Suitable for indoor and outdoor use
- Dimensions: 680W x 720D x 750H x 330 Seat Height
- Unit Weight: 10kg
- SWL: 150 kg
- Supplied unassembled – Easy assembly
- Weather resistant, UV Stabilised – Will not fade under direct sunlight
- Stocked in: White, Silver Grey & Taupe
- Optional cushions available in Beige, Anthracite, Light Brown & White only – 100mm thick cushion covered with Etilsilk polyester fabric and finished with piping. Cushions are specially designed for Mykonos Lounge Set. Water resistant with UV for indoor/outdoor use.
- CATAS Tested
- Made in Europe



Mykonos Lounge Table



5 YEAR
WARRANTY



- 5 year structural warranty
- Suitable for indoor and outdoor use
- Dimensions: 650W x 650D x 330H
- Unit Weight: 7kg
- Supplied unassembled – Easy assembly
- Weather resistant, UV Stabilised – Will not fade under direct sunlight
- Stocked in: White, Silver Grey & Taupe
- Optional cushions available in Beige, Anthracite, Light Brown & White only – 100mm thick cushion covered with Etilsilk polyester fabric and finished with piping. Cushions are specially designed for Mykonos Lounge Set. Water resistant with UV for indoor/outdoor use.
- CATAS Tested
- Made in Europe



Mykonos Lounge Table XL



5 YEAR
WARRANTY



- 5 year structural warranty
- Suitable for indoor and outdoor use
- Dimensions: 1300W x 650D x 330H
- Unit Weight: 14kg
- Supplied unassembled – Easy assembly
- Weather resistant, UV Stabilised – Will not fade under direct sunlight
- Stocked in: White, Silver Grey & Taupe
- Optional cushions available in Beige, Anthracite, Light Brown & White only – 100mm thick cushion covered with Etilsilk polyester fabric and finished with piping. Cushions are specially designed for Mykonos Lounge Set. Water resistant with UV for indoor/outdoor use.
- CATAS Tested
- Made in Europe





INDOOR/OUTDOOR TABLE TOPS



SM France Table Tops

SM France's "laminated-molded" table tops for the hospitality and catering industry, are made of wood, glues and papers. The technique of molding and lamination by hot pressing gives the product qualities unmatched to date, especially in terms of weather resistance.




Recognised for its design and creation, SM France is considered the "leader of the table top". You will find SM France products in a large number of restaurant and café terraces around the world.





Available in a select range of sizes and finishes, these tops are durable, weatherproof, inexpensive and attractive.

FEATURES

- Brand: SM France
- 5 year structural warranty
- Stocked in 8 finishes (as shown): Black, White, Arizona, Boston, Marble, Rustic Kansas, Stratos & Wenge
- Available Sizes (mm): 600R, 700R, 800R, 600x600SQ, 700x700SQ, 800x800SQ, 1200x800RCT
- Edge Profile and Thickness: 25mm
- Made in France
- Moulded table top with a jointless, high impact and wear resistant surface also resistant to heat & burns from cigarettes. Hygienic & easy to clean
- Suitable for indoor & outdoor commercial use

Sizes and Shapes available

Top Size mm	 600 Dia	 700 Dia	 800 Dia
Weight (Kg)	4.3	5.7	6.9
Edge Profile (mm)	25	25	25
Core (mm)	17	17	16

Top Size (mm)	 600x600	 700x700	 800x800	 1200x800
Weight (Kg)	5.7	8.4	11	15.5
Edge Profile (mm)	35	35	35	35
Core (mm)	17	19	19	19

Note: It is advisable to select light finishes for use in direct sunlight conditions. Dark colours used in direct sunlight can heat up, become hot and fade over time. The core material can expand and result in warping at the edges. The manufacturer does not accept this as a warranty claim.



Bistro Table Tops

- 5 year structural warranty
- Stocked in Marble & Sienna with Brass Edge
- Available Sizes (mm): 600R & 700R
- Edge Profile and Thickness: 25mm
- Made in France
- Moulded table top with a jointless, high impact and wear resistant surface also resistant to heat & burns from cigarettes. Hygienic & easy to clean
- Suitable for indoor & outdoor commercial use



Gentas Table Tops **GENTAŞ**

These table tops are manufactured in Turkey by Gentas, using the renowned resin moulding process. Available in a select range of sizes and finishes, these tops are durable, weatherproof, inexpensive and attractive.





The foundation of each Gentas table top is a mix of quality hardwoods and softwoods, kiln-dried and blended with synthetic resins as well as anti-rot and anti-moisture agents. This mixture is compressed at 140°C under high pressure before the hardwearing and decorative layers are applied and inseparably moulded together.





This method produces high quality table tops which are seamless, hygienic, functional and suitable for indoor or outdoor use.

FEATURES

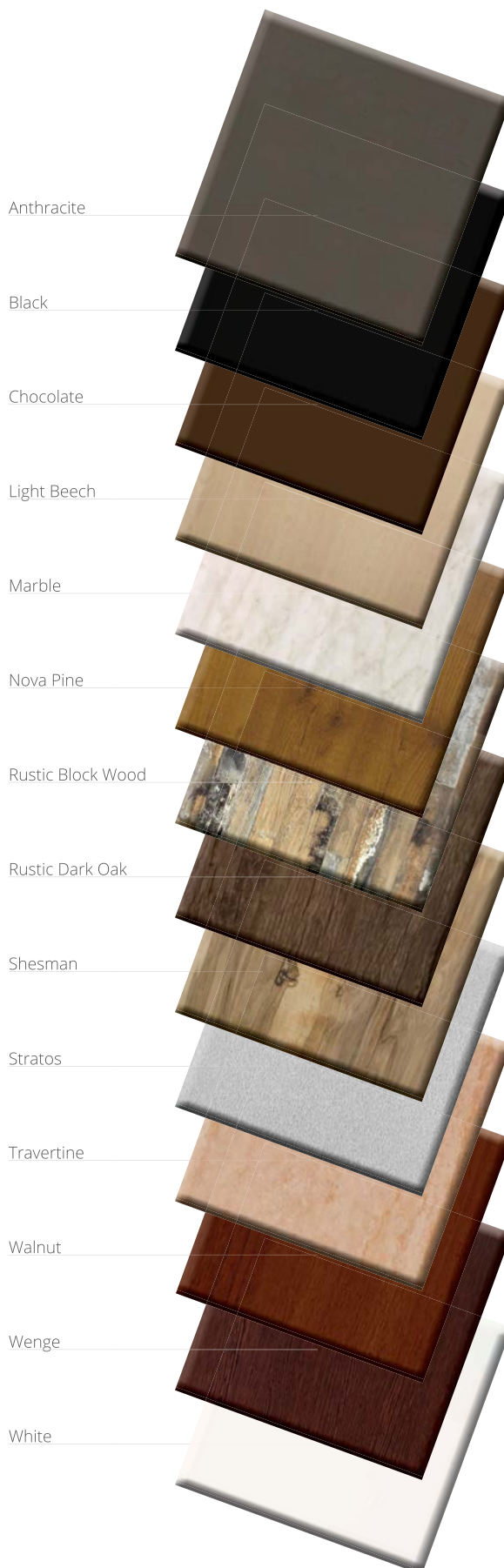
- Suitable for indoor and outdoor commercial use
- 2 year indoor structural warranty
- 1 year outdoor structural warranty
- Surface: High impact joint less laminate surface resistant to wear, heat & burns from cigarettes. Hygienic & easy to clean
- Foundation: Mix of quality hardwoods and softwoods, kiln-dried and blended with synthetic resins as well as anti-rot and anti-moisture agents
- Available Sizes: 340R, 600R, 700R, 800R, 600x600SQ, 700x700SQ, 800x800SQ, 1400x800RCT
- Indent size: 1200x800RCT
- Edge Profile and Thickness: (refer to website)
- Unit Weights: (refer to website)
- Supplied unassembled - Flat pack form
- Stocked In: Anthracite, Black, Chocolate, Light Beech, Marble, Nova Pine, Rustic Block Wood, Rustic Dark Oak, Shesman, Stratos, Travertine, Walnut, Wenge, White

Sizes and Shapes available

				
Top Size mm	340 Dia	600 Dia	700 Dia	800 Dia
Weight (Kg)	2	4	5	7
Edge Profile (mm)	25	25	25	25
Core (mm)	18	18	18	18

				
Top Size (mm)	600x600	700x700	800x800	1400x800
Weight (Kg)	7	10	12	21
Edge Profile (mm)	35	35	35	29
Core (mm)	20.5	20.5	20.5	21

Note: It is advisable to select light finishes for use in direct sunlight conditions. Dark colours used in direct sunlight can heat up, become hot and fade over time. The core material can expand and result in warping at the edges. The manufacturer does not accept this as a warranty claim.



Compact Laminate Duratop 2 YEAR WARRANTY

Born out of innovation, excellent materials and cutting-edge technology, the Compact Laminate Duratop offers great value for commercial venues. Its durable construction and sleek 12mm profile makes it a perfect table top for both indoor and outdoor applications.

Offered in Black, Rustic Block Wood, Shesman, Wenge and White, the Compact Laminate Duratop is constructed with layers of Kraft paper, dipped in resin and dried. These layers are then sandwiched between laminated top and bottom sheets, compressed and baked. A process called polymerisation melds them all together creating a solid-core panel that is an extra tough durable laminate.




Each colour is available in a range of different sizes in square, rectangle and round. The underside of each top has grooves that have been routed to be used as predrilling holes. This makes installation of Compact Laminate Duratops with most table bases simple and easy.




Stocked in:



- Black
- Rustic Block Wood
- Shesman
- Wenge
- White
- Afyon Marble
- Copperfield

Available Sizes: 600R, 690R, 800R, 600SQ, 690SQ, 800SQ, 600x800RCT & 1390x800RCT

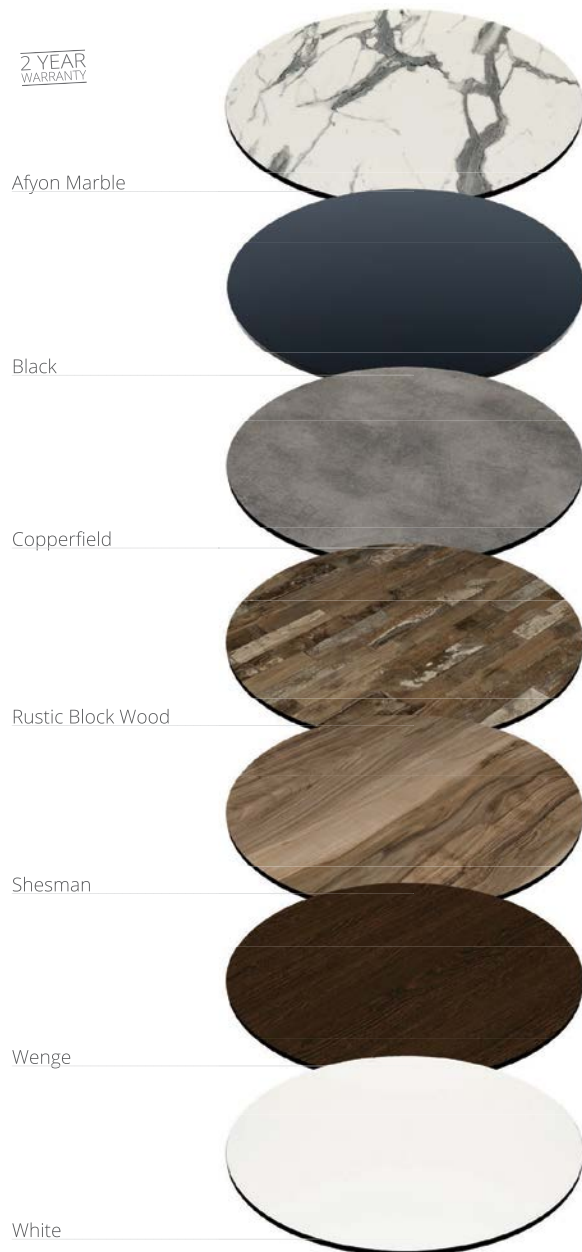
Sizes and Shapes available

			
Top Size mm	600 Dia	690 Dia	800 Dia
Weight (Kg)	4.7	6.5	9
Edge Profile / Core (mm)	12	12	12

			
Top Size (mm)	600x600	690x690	800x800
Weight (Kg)	6.5	8.5	11
Edge Profile / Core (mm)	12	12	12

		
Top Size (mm)	600x800	1390x800
Weight (Kg)	8	19
Edge Profile / Core (mm)	12	12

Note: It is advisable to select light finishes for use in direct sunlight conditions. Dark colours used in direct sunlight can heat up, become hot and fade over time. The core material can expand and result in warping at the edges. The manufacturer does not accept this as a warranty claim.



Routed grooves to be used as predrilling holes

Air Table Top

2 YEAR
WARRANTY



- Suitable for indoor/outdoor use
- Made from Compact Laminate
- Available Sizes: 1800x900RCT, 1400x800RCT, 800x800SQ
- Edge Profile and Thickness: 12MM
- Unit Weights: 800x800 - 12 kg, 1400x800 - 21kg, 1800x900 - 30kg
- Stocked In: Black and White
- Matching Products: Only suits Air Legs
- Made in Europe

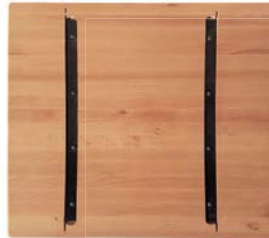


Tuscany Timber Table Top

2 YEAR
WARRANTY



- Suitable for indoor commercial use only
- Available in Chocolate and Natural finish
- Made from Solid European Beech
- Available Sizes: 700mmx700mm (13kg), 800mmx800mm (16kg)
- Edge Profile and Thickness: 32MM
- Unit Weights: 10 - 13kg
- Supplied unassembled - Flat pack form
- Metal support strats underneath for added strength
- Made in South East Asia



Genoa Table Tops

2 YEAR
WARRANTY



- Made in South East Asia
- Made from 38mm thick solid European Beech
- Available sizes 600mmx600mm (10kg), 700mmx700mm (14kg), 800mmx800mm (20kg)
- Quality stained finish in Antique Walnut
- Suitable for indoor use only
- 2 year structural warranty
- Metal support struts on underneath for added strength



INDOOR/OUTDOOR TABLE BASES



Air Legs

5 YEAR WARRANTY



- Suitable for indoor and outdoor commercial use.
- Available In: Black and White
- Made of polypropylene
- Matching Products: Air Tables, Air chair
- Dimensions:
 - Small 725H x 530W x 580D
 - Medium 725H x 1120W x 580D
 - Large 725H x 1530W x 580D
- Replaceable feet
- Supplied unassembled
- Unit Weight: 8.3 kg
- Made in Europe



Alexi Table and Bar Base

2 YEAR WARRANTY



- Suitable for indoor and outdoor commercial use
- Top Plate: Pressed steel top plate with 8 x fastening points
- Pole: 75DIA 304 grade stainless steel pole
- Base: 304 grade stainless steel wrapped over a cast iron disc base
- Brushed stainless steel finish
- 5 x adjustable Feet
- Supplied unassembled - easy to assemble
- Replaceable feet
- Standard Height: 450Dia base at 720H
Unit Weight: 22kg
Maximum Suitable Table Top Size: 800x800mm square - 15kg
- Bar Height: 450Dia base at 1070H
Unit Weight: 24kg
Maximum Suitable Table Top Size: 800mm round - 15kg
- Standard Height: 600Dia base at 720H
Unit Weight: 30kg
Maximum Suitable Table Top Size: 1100mm round - 18kg
- Made in China



Astoria Aluminium Table and Bar Base

2 YEAR WARRANTY



- Suitable for indoor and outdoor commercial use
- Top Plate: Cast aluminium top plate with 8 fastening points
- Pole: 60DIA aluminium pole
- Base: Cast aluminium 4 star base
- Stock In: Anodized aluminium finish, Black powder coat finish
- 4 x adjustable Feet
- Supplied unassembled - easy to assemble
- Base Span: 650mm Diagonal
- Standard height: 720H
Unit Weight: Anodized Base 3kg - Black Base 6kg
Maximum Suitable Table Top Size: 800x800mm square - 15kg
- Bar height: 1090H
Unit Weight: Anodized Base 4kg - Black Base 7kg
Maximum Suitable Table Top Size: 700mm square - 12kg
- Notes: Anodized aluminium base does not have lead weights, Replaceable feet
- Made in China (Black & Anodized Aluminium) & Europe (Black & White)



Note: Specifications based on Chinese product. Slight differences will be found with the European Version.

Astoria Aluminium Twin Bar Table and Table Base

2 YEAR WARRANTY



- Suitable for indoor and outdoor commercial use
- Top Plates: Cast aluminium top plates with 8 fastening points
- Poles: 60DIA aluminium poles
- Bases: Cast aluminium bases
- Stock In: Anodized aluminium finish, Black powder coat finish
- 4 x adjustable Feet
- Supplied unassembled - easy to assemble
- Base Span: 600mm Pole Centre to Pole Centre: 600mm
- Standard height: 720H
Unit Weight: Anodized Base 5kg - Black Base 9kg
Maximum Suitable Table Top Size: 1400x800mm rectangle - 22kg
- Bar height: 1090H
Unit Weight: Anodized Base 6kg - Black Base 10kg
Maximum Suitable Table Top Size: 1200x800mm rectangle - 20kg
- Notes: Anodized aluminium base does not have lead weights, Replaceable feet
- Made in China (Black & Anodized Aluminium) & Europe (Black & White)



Note: Specifications based on Chinese product. Slight differences will be found with the European Version.

Avila Table and Bar Base

2 YEAR WARRANTY



- Suitable for indoor and outdoor commercial use
- Top Plate: Cast aluminium top plate with 8 fastening points
- Pole: 60DIA aluminium pole
- Base: Cast aluminium 4 star base
- Stock In: Anodized aluminium finish
- 4 x adjustable Feet
- Supplied unassembled - easy to assemble
- Replaceable feet
- Base Span: 650mm Diagonal
- Standard height: 720H
Unit Weight: 8kg
Maximum Suitable Table Top Size: 800x800mm square - 15kg
- Bar height: 1090H
Unit Weight: 10kg
Maximum Suitable Table Top Size: 700 x 700mm square - 12kg
- Made in China



Avila Twin Table and Bar Base

2 YEAR WARRANTY



- Suitable for indoor and outdoor commercial use
- Top Plates: Cast aluminium top plates with 8 fastening points
- Poles: 60DIA aluminium poles
- Bases: Cast aluminium bases
- Stock In: Anodized aluminium finish
- 4 x adjustable Feet
- Supplied unassembled - easy to assemble
- Replaceable feet
- Base Span: 600mm Pole Centre to Pole Centre: 600mm
- Standard height: 720H
Unit Weight: 11kg
Maximum Suitable Table Top Size: 1400x800mm rectangle - 22kg
- Bar height: 1090H
Unit Weight: 15kg
Maximum Suitable Table Top Size: 1200x800mm rectangle - 20kg
- Made in China



Bistro Table and Bar Base

2 YEAR WARRANTY



- Suitable for indoor commercial use only
- Top Plates: Cast iron top plates with 8 fastening points
- Poles: 60DIA iron poles
- Bases: Cast Iron bases
- Stock In: Black finish
- 4 x adjustable Feet
- Supplied unassembled - easy to assemble
- Replaceable feet
- Standard height: 720H
Unit Weight: 11kg
Maximum Suitable Table Top Size: 800x800mm square - 15kg
- Bar height: 1090H
Unit Weight: 15kg
Maximum Suitable Table Top Size: 700x700mm square - 12kg
- Made in China and Europe

Note: Specifications based on Chinese product. Slight differences will be found with the European Version.



Blitz Folding Table and Bar Base

2 YEAR WARRANTY



- Suitable for indoor and outdoor commercial use
- Top Plate: Powder coated steel folding top plate with 8 fastening points
- Pole: 60DIA aluminium pole
- Base: Cast aluminium 4 star stacking base
- Stock In: Anodized aluminium finish
- 2 x adjustable Feet
- Supplied unassembled - easy to assemble
- Replaceable feet
- Base Span: 650mm Diagonal
- Standard height: 720H
Unit Weight: 6kg
Maximum Suitable Table Top Size: 800x800mm square - 15kg
- Bar height: 1090H
Unit Weight: 8kg
Maximum Suitable Table Top Size: 700x700mm square - 12kg
- Made in China

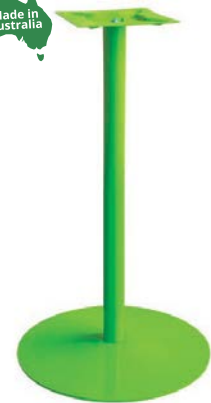
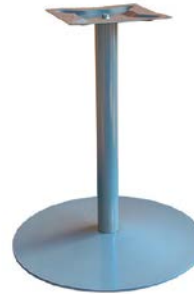


Coral Round Table and Bar Base

10 YEAR
STRUCTURAL
WARRANTY



- Suitable for indoor and sheltered outdoor commercial use only
- Made from zinc coated steel
- Top Plate: Heavy duty steel top plate with 8 fastening points
- Pole: Heavy duty steel pole - Base: Heavy duty steel disc base
- Stock In: Anthracite, Black, White, Chocolate, Orange, Red, Green, Blue, Silver
- 5 x adjustable Feet
- Supplied unassembled - easy to assemble
- Replaceable feet
- Base Span: 600DIA
- Standard height: 720H, Unit Weight: 22kg
Maximum Suitable Table Top Size: 800x800mm square - 15kg
- Bar height: 1090H, Unit Weight: 24kg
Maximum Suitable Table Top Size: 700x700mm square - 12kg
- Twin bolt locking the top and base to prevent pole rotation
- Can be supplied in raw



Coral Star Table and Bar Base

10 YEAR
STRUCTURAL
WARRANTY



- Suitable for indoor and sheltered outdoor commercial use only
- Made from zinc coated steel
- Top Plate: Heavy duty steel top plate with 8 fastening points
- Pole: Heavy duty steel pole - Base: Heavy duty steel 4 star base
- Stock In: Anthracite, Black, White, Chocolate, Orange, Red, Green, Blue, Silver
- 5 x adjustable Feet
- Supplied unassembled - easy to assemble
- Replaceable feet
- Base Span: 650mm Diagonal
- Standard height: 720H, Unit Weight: 12kg
Maximum Suitable Table Top Size: 800x800mm square - 15kg
- Bar height: 1090H, Unit Weight: 14kg
Maximum Suitable Table Top Size: 700x700mm square - 12kg
- Twin bolt locking the top and base to prevent pole rotation
- Can be supplied in raw



Disco Table Base

2 YEAR
WARRANTY



- Description: Stylish cast iron table base. Aluminium pole. Cast iron top plate. Table base suitable for Gentas table tops up to 800mm square/800mm round. Black powder coat with stipple finish Made in China
- Recommend table top max weight and size: 12kg, 800mmx800mm
- Specifications: Total height 720mm, Pole Dia. 75mm, Top plate is cast iron 450mm wide including 8 x fastening points. Base span 590mm diameter.
- Stock In: Black & White
- Adjustable levelling feet x 5.
- Suitable for indoor commercial use only
- Supplied unassembled
- Unit Weight: 20kg



Genoa Table and Bar Base

2 YEAR
WARRANTY



- Made in South East Asia
- Made from solid European Beech
- Standard height: 705mm, Unit Weight: 17kg
- Bar height: 1020mm, Unit Weight: 18kg
- Supplied unassembled
- Quality stained finish in Antique Walnut
- Metal Base
- Suitable for indoor use only
- Metal Base: 460 x 460mm
- 4 x Adjustable feet



Marlo Table Base - Single and Twin



- Description: Stylish cast iron table base. Aluminium pole. Cast iron top plate. Table base suitable for Gentas table tops up to 800mm square/800mm round. Black powder coat with stipple finish Made in China
- Recommend table top max weight and size: 12kg, 800mmx800mm
- Specifications: Total height 720mm, Pole Dia. 75mm, Top plate is cast iron 450mm wide including 8 x fastening points. Base span 590mm x 590mm.
- Adjustable levelling feet.
- Suitable for indoor use only
- Supplied unassembled
- Unit Weight: 8kg



Metz Table Base - Single and Twin



- Suitable for indoor/outdoor commercial use
- Cast Aluminium table base with a black powder coat finish
- Single - Recommend table top max weight: 12kg - 800mmx800mm
- Twin - Recommended table top max weight and size: 18kg - 1200mmx800mm & 21kg - 1400mmx800mm
- Adjustable levelling feet
- Supplied unassembled - comes in 4 easy to assemble segments.
- Unit Weight: 4kg
- Made in China



Riva Table and Bar Base



- Suitable for indoor and outdoor commercial use
- Made with an aluminium frame (painted) covered with UV stabilised polypropylene
- Table - Maximum Suitable Table Top Size: 800x800 - 15kg
Dimensions: 450W x 450D x 710H
Unit Weight: 8kg
- Bar Table - Maximum Suitable Table Top Size: 700x700 - 12kg
Dimensions: 450W x 450D x 1040H
Unit Weight: 11kg
- Supplied unassembled - easy to assemble
- Weather resistant, UV Stabilised
- Stocked In: Anthracite, Chocolate
- Special Order Colours: White
- Replaceable feet
- Matching Products: All Resin Rattan Range Products
- Made in Europe



Rega Table Base



- Suitable for indoor and outdoor commercial use
- Top Plates: 403 grade stainless steel top plate with 8 fastening points
- Pole: 60DIA 304 grade stainless steel pole
- Base: 304 grade stainless steel fixed base with shroud
- Stock In: Brushed stainless steel finish
- Bolt down base
- Supplied unassembled
- Standard height: 720H
- Unit Weight: 5kg
- Maximum Suitable Table Top Size: 800x800mm square - 15kg
- Made in China



Roma Table and Bar Base

2 YEAR WARRANTY



- Suitable for indoor and outdoor commercial use
- Top Plate: Cast aluminium top plate with 8 fastening points
- Pole: 60DIA aluminium pole
- Base: Cast aluminium 4 star base wrapped with 304 grade stainless steel cover
- Stock In: Anodized aluminium finish and shiny stainless steel finish
- 4 x adjustable Feet
- Supplied unassembled - easy to assemble
- Replaceable feet
- Base Span: 630mm Diagonal
- Standard height: 720H
Unit Weight: 8kg
Maximum Suitable Table Top Size: 800x800mm square - 15kg
- Bar height: 1090H
Unit Weight: 10kg
Maximum Suitable Table Top Size: 700x700mm square - 12kg
- Made in China



Roma Twin Table and Bar Base

2 YEAR WARRANTY



- Suitable for indoor and outdoor commercial use
- Top Plates: Cast aluminium top plates with 8 fastening points
- Poles: 60DIA aluminium poles
- Bases: Cast aluminium bases wrapped with 304 grade stainless steel covers
- Stock In: Anodized aluminium finish and shiny stainless steel finish
- 4 x adjustable Feet
- Supplied unassembled - easy to assemble
- Replaceable feet
- Base Span: 570mm Pole Centre to Pole Centre: 600mm
- Standard height: 720H
Unit Weight: 12kg
Maximum Suitable Table Top Size: 1400x800mm rectangle - 22kg
- Bar height: 1090H
Unit Weight: 16kg
Maximum Suitable Table Top Size: 1200x800mm rectangle - 20kg
- Made in China



Stirling Mk2 Table Base - Single and Twin

2 YEAR WARRANTY



- Suitable for indoor and outdoor commercial use
- Top Plate: 304 grade stainless steel top plate with 8 fastening points
- Pole: 60DIA 304 grade stainless steel pole
- Base: 304 grade stainless steel base
- Stock In: Brushed stainless steel finish
- 4 x adjustable feet - 1 top adjuster on each base
- Supplied unassembled - easy to assemble
- Replaceable feet
- Single Standard Height: 720H
Unit Weight: 6kg
Maximum Suitable Table Top Size: 800x800mm square - 15kg
- Twin Standard Height: 720H
Unit Weight: 8kg
Maximum Suitable Table Top Size: 1400x800mm rectangle - 22kg
- Base Span: 600mm Pole Centre to Pole Centre: 620mm
- Made in China



Titan Folding Table and Bar Base

2 YEAR WARRANTY



- Suitable for indoor and outdoor commercial use
- Top Plate: Plastic folding top plate with 8 fastening points
- Pole: 60DIA aluminium pole
- Base: Cast aluminium 4 star stacking base
- Stock In: Anodized aluminium finish
- 2 x adjustable Feet
- Supplied unassembled - easy to assemble
- Replaceable feet
- Base Span: 650mm Diagonal
- Standard height: 720H
Unit Weight: 8kg
Maximum Suitable Table Top Size: 800x800mm square - 15kg
- Bar height: 1090H
Unit Weight: 10kg
Maximum Suitable Table Top Size: 700x700mm square - 12kg
- Made in China



TABLE FRAMES



Preston Steel Table Frames



5 YEAR WARRANTY



- Suitable for indoor commercial use
- Supplied unassembled
- 1.5mm steel tube
- Finishing: Powder Coating in White, Black or Metallic Silver
- Adjustable Feet included
- Made in China
- Castor wheels available – black or grey with red brake pedal



Available Sizes

- 740 x 740 x 720h
- 1140 x 740 x 720h
- 1340 x 740 x 720h
- 1790 x 790 x 720h
- 1140 x 740 x 1040h
- 1340 x 740 x 1050h
- 1490 x 790 x 1050h
- 1790 x 790 x 1050h
- 1490 x 590 x 1050h
- 1790 x 590 x 1050h

Preston Aluminium Table Frames



5 YEAR WARRANTY



- Suitable for indoor and outdoor commercial use
- Supplied unassembled
- 1.5mm aluminium tube
- Finishing: Powder Coating in White, Black or Metallic Silver
- Adjustable Feet included
- Made in China
- Castor wheels available – black or grey with red brake pedal



Available Sizes

- 740 x 740 x 720h
- 1140 x 740 x 720h
- 1340 x 740 x 720h
- 1790 x 790 x 720h
- 1140 x 740 x 1040h
- 1340 x 740 x 1050h
- 1490 x 790 x 1050h
- 1790 x 790 x 1050h
- 1490 x 590 x 1050h
- 1790 x 590 x 1050h



INDOOR/OUTDOOR TABLES



Air Table



- Suitable for indoor and outdoor commercial use*
- Available Sizes: 800x800SQ, 1400x800RCT, 1800x900RCT
- Unit Weights: 800x800 - 18kg, 1400x800 - 31kg, 1800x900 - 41kg
- Table height: 725mm
- Available In: Black and White
- Made of polypropylene
- Matching Products: Air chair
- Replaceable feet
- Supplied unassembled
- Made in Europe



* Only white table tops are covered under warranty for use in direct sunlight conditions. Tables with dark coloured tops should only be used in shaded outdoor areas.

Ares 80 Table - 800x800



- Suitable for indoor use
- Suitable for shaded outdoor use*
- Available in: Black, White, Anthracite, Chocolate, Taupe & Caramel
- Dimensions: 800L x 800W x 750H
- Supplied unassembled
- The Ares Table is produced with a single injection of polypropylene by means of the latest generation of air moulding technology
- Unit Weight: 14 kg
- Weather resistant, semi UV Stabilised



*Warranty will not cover excessive fading if placed in direct sunlight.

Ares 140 Table - 1400x800



- Suitable for indoor use
- Suitable for shaded outdoor use*
- Available in: Black, White, Anthracite, Chocolate, Taupe & Caramel
- Dimensions: 1400L x 800W x 750H
- Supplied unassembled
- The Ares Table is produced with a single injection of polypropylene by means of the latest generation of air moulding technology
- Unit Weight: 14 kg
- Weather resistant, semi UV Stabilised



*Warranty will not cover excessive fading if placed in direct sunlight.

Bali Table - 940x940



- Suitable for indoor and outdoor commercial use
- Top: 5MM dark tempered glass top
- Frame: Aluminium frame covered with UV stabilised polypropylene
- Dimensions: 940W x 940D x 750H
- Unit Weight: 22kg
- Supplied unassembled - easy to assemble
- Weather resistant, UV Stabilised
- Stocked In: Anthracite, Chocolate - Special Order Colours: White
- 4 x adjustable Feet
- Replaceable feet
- CATAS Tested
- Matching Products: Tahiti Table, All Resin Rattan Range Products
- Made in Europe



Ibiza Table



- Suitable for indoor and outdoor commercial use*
- Available Sizes: 800x800SQ, 1400x800RCT, 1800x900RCT
- Unit Weights: 800x800 - 18kg, 1400x800 - 31kg, 1800x900 - 41kg
- Table height: 725mm
- Supplied unassembled - easy to assemble
- Weather resistant, UV Stabilised
- Stocked In: Anthracite, Chocolate - Special Order Colours: White
- Made in Europe
- Matching Products: All other products in the Resin Rattan Range



* Only white table tops are covered under warranty for use in direct sunlight conditions. Tables with dark coloured tops should only be used in shaded outdoor areas.

Monaco Lounge Table



5 YEAR WARRANTY



- Made of durable weather-resistant resin reinforced with glass fibre- will never unravel or rust!
- UV Protected
- Suitable for indoor and outdoor commercial use
- Dimensions: 930L x 550D x 470H
- Stocked in: Anthracite, Chocolate
- Special order colour: White
- Supplied unassembled
- The Monaco Lounge Table is designed for self assembly.
See assembly video at www.youtube.com/watch?v=sUikbLgctew
- Made in Europe



Ocean Side Table



5 YEAR WARRANTY



- Suitable for indoor and outdoor commercial use
- Dimensions: 450W x 450D x 460H
- Unit Weight: 3kg
- Supplied unassembled - easy to assemble
- Weather resistant, UV Stabilised
- Stocked In: Anthracite, Black, Silver Grey, Taupe and White
- Made in Europe



Orlando Table - 800x800



5 YEAR WARRANTY



- Suitable for indoor and outdoor commercial use
- Made with an aluminium frame covered with UV stabilised polypropylene
- Dimensions: 800W x 800D x 750H
- Unit Weight: 14kg
- Supplied unassembled - easy to assemble
- Weather resistant, UV Stabilised
- Stocked In: Anthracite, Chocolate
- Special Order Colours: White
- 4 x adjustable Feet
- Replaceable feet
- Matching Products: Orlando Table 1400x800, All Resin Rattan Range Products
- Made in Europe



Orlando Table - 1400x800



5 YEAR WARRANTY



- Suitable for indoor and outdoor commercial use
- Made with an aluminium frame covered with UV stabilised polypropylene
- Dimensions: 1400W x 800D x 750H
- Unit Weight: 23kg
- Supplied unassembled - easy to assemble
- Weather resistant, UV Stabilised
- Stocked In: Anthracite, Chocolate - Special Order Colours: White
- 4 x adjustable Feet
- Replaceable feet
- Matching Products: Orlando Table 800x800, All Resin Rattan Range Products
- Made in Europe



Sky Lounge Coffee Table - 1000x600



5 YEAR WARRANTY



- Suitable for light commercial use only
- 5 year structural warranty
- Dimensions: 1000W x 600D x 400H
- Made in Europe
- Stocked in: Black, Anthracite, Red, White, Mango & Taupe
- Suitable for indoor and outdoor use
- Assembly required
- The Sky Lounge Table is produced with polypropylene reinforced with glass fiber obtained by means of the latest generation of air moulding technology
- Unit Weight: 7.3kg
- Weather resistant, UV Stabilised - Will not fade under direct sunlight. excessive fading in a given period, refer to product warranties



Sky Side Table - 600x500



5 YEAR WARRANTY



- Suitable for light commercial use only
- 5 year structural warranty
- Dimensions: 600W x 500D x 400H
- Made in Europe
- Stocked in: Black, Anthracite, Red, White, Mango & Taupe
- Suitable for indoor and outdoor use
- Assembly required
- The Sky Side Table is produced with polypropylene reinforced with glass fiber obtained by means of the latest generation of air moulding technology
- Unit Weight: 4.5kg
- Weather resistant, UV Stabilised - Will not fade under direct sunlight. excessive fading in a given period, refer to product warranties



Sky Table



5 YEAR WARRANTY



- Suitable for light commercial use only
- 5 year structural warranty
- Available Sizes: 700x700SQ, 800x800SQ
- Unit Weights: 700x700 - 13.5kg, 800x800 - 14kg
- Made in Europe
- Stocked in: Black, Anthracite, White & Taupe
- Suitable for indoor and outdoor use
- Assembly required
- Produced with polypropylene reinforced with glass fiber obtained by means of the latest generation of air moulding technology
- Weather resistant, UV Stabilised - Will not fade under direct sunlight. excessive fading in a given period, refer to product warranties



Tequila Lounge Side Table - 450x450



5 YEAR WARRANTY



- Suitable for indoor and outdoor commercial use
- Made of UV stabilised polypropylene
- Dimensions: 450W x 450D x 450H
- Unit Weight: 2.5kg
- Supplied unassembled - easy to assemble
- Weather resistant, UV Stabilised
- Stocked In: Anthracite, Chocolate
- Special Order Colours: White
- Replaceable feet
- Matching Products: Tequila Lounge Coffee Table, All Resin Rattan Range Products
- Made in Europe



Tequila Lounge Coffee Table - 920x530



5 YEAR WARRANTY



- Suitable for indoor and outdoor commercial use
- Made of UV stabilised polypropylene
- Dimensions: 920W x 530D x 450H
- Unit Weight: 4.6kg
- Supplied unassembled - easy to assemble
- Weather resistant, UV Stabilised
- Stocked In: Anthracite, Chocolate
- Special Order Colours: White
- Replaceable feet
- Matching Products: Tequila Lounge Side Table, All Resin Rattan Range Products
- Made in Europe



Tahiti Table - 1800x940



5 YEAR WARRANTY



- Suitable for indoor and outdoor commercial use
- Top: 5MM dark tempered glass top
- Frame: Aluminium frame covered with UV stabilised polypropylene
- Dimensions: 1800W x 940D x 750H
- Unit Weight: 32kg
- Supplied unassembled - easy to assemble
- Weather resistant, UV Stabilised
- Stocked In: Anthracite, Chocolate - Special Order Colours: White
- 4 x adjustable Feet
- Replaceable feet
- CATAS Tested
- Matching Products: Bali Table, All Resin Rattan Range Products
- Made in Europe





FUNCTION TABLES AND CHAIRS

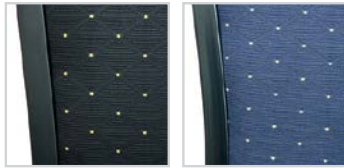


Function Chair - Fabric

2 YEAR WARRANTY



- Stackable
- Suitable for indoor commercial use only
- Seat & Back: Cushion made with high resiliency foam. Quality fire retardant fabric
- Heavy duty 25mm square steel tube frame
- Dimensions: 440W x 530D x 930H x 460 Seat Height
- Unit Weight: 7kg
- SWL: 150kg
- Supplied assembled
- Chair trolley available
- Stocked In: Dark Blue Fabric with Gold Fleck or Black Fabric with Gold Fleck
- Replaceable feet
- Made in China



Black Fabric-Black Frame Blue Fabric-Black Frame



Function Chair - Vinyl

2 YEAR WARRANTY



- Stackable
- Suitable for indoor commercial use only
- Seat & Back: Cushion made with high resiliency foam. Quality fire retardant vinyl
- Heavy duty 25mm square steel tube frame
- Dimensions: 440W x 530D x 930H x 460 Seat Height
- Unit Weight: 7kg
- SWL: 150kg
- Supplied assembled
- Chair trolley available
- Stocked In: Black Vinyl with Silver or Black Frame
- Replaceable feet
- Made in China



Black Vinyl-Black Frame



Chair Trolley

2 YEAR WARRANTY



- Suitable for Duraseat Function Chairs
- Made with a strong durable fully welded steel frame and foam filled tyres
- Unit Weight: 15kg
- Supplied assembled
- Stocked In: Black hammer tone
- Replaceable tyres



Manhattan Banquet Table



- Suitable for indoor commercial use only
- Top: High density durable polyethylene blow moulded top
- Frame: Heavy duty steel frame
- Dimensions: 1520DIA and 1800DIA x 740H
- Unit Weight: 1520DIA: 25kg 1800DIA: 32kg
- Supplied assembled
- Easy folding leg system
- Stocked In: White with powder coated grey frame
- Replaceable feet
- Storage trolley available - holds 12 tables
- Made in China



Manhattan Banquet Table Trolley

- Suitable for indoor commercial use only
- Frame: Heavy duty steel frame
- Unit Weight: 35kg
- Supplied unassembled - easy to assemble
- Replaceable castors
- Holds 12 Manhattan Banquet Tables
- Made in China
- Assembly at extra cost



Manhattan Trestle Table



- Suitable for indoor commercial use only
- Top: High density durable polyethylene blow moulded top
- Frame: Heavy duty steel frame
- Dimensions: 1830x760 and 2420x760 x 740H
- Unit Weight: 1830x760: 18kg 2420x760: 24kg
- Supplied assembled
- Easy folding leg system
- Stocked In: White with powder coated grey frame
- Replaceable feet
- Storage trolley available - holds 20 tables
- Made in China



Manhattan Trestle Table Trolley

- Suitable for indoor commercial use only
- Frame: Heavy duty steel frame
- Unit Weight: 30kg
- Supplied unassembled - easy to assemble
- Replaceable castors
- Holds 20 Manhattan Trestle Tables
- Made in China
- Assembly at extra cost



Quicksew
total concept creations



TEAK & WICKER
COLLECTION



Teak Collection

Teak Outdoor Furniture..... Page 138

Wicker Outdoor Furniture..... Page 146





LOMBOK Chair with Cushions

Item No.	Length	Width	Height	Finish
201	81cm	85cm	80cm	Smooth



LOMBOK Two Seater Sofa with Cushions

Item No.	Length	Width	Height	Finish
202	146cm	85cm	80cm	Smooth



LOMBOK

Three Seater Sofa with Cushion

Item No.	Length	Width	Height	Finish
203	211cm	85cm	80cm	Smooth



LOMBOK

Ottoman with Cushions

Item No.	Length	Width	Height	Finish
204	65cm	65cm	45cm	Smooth



ADIRONDACK

Lounger with Arms & Stool

Item No.	Description	Length	Width	Height	Finish
414	Lounger	76cm	82cm	99cm	Smooth
	Stool	58cm	53 cm	40cm	Smooth



**HAYMAN
Lounger**

Item No.	Length	Width	Height	Addition
412	200cm	65cm	35cm	
412C	200cm	65cm	45cm	with Cushions



**Small DAYBED
Lounge with Cushions**

Item No.	Length	Width	Height	Finish
4121	203cm	73cm	86cm	Smooth
4121C	180cm	70cm	12cm	



DAYBED
Lounge with Cushions

Item No.	Length	Width	Height	Finish
4120RWW	233cm	90cm	86cm	Rustic White Wash

DAYBED
Chair with Cushions

Item No.	Length	Width	Height	Finish
4125RWW	90cm	74cm	74cm	Rustic White Wash



DAYBED
Lounge with Cushions

Item No.	Length	Width	Height	Finish
4120	233cm	90cm	86cm	Smooth

DAYBED
Chair with Cushions

Item No.	Length	Width	Height	Finish
4125	90cm	74cm	74cm	Smooth





**KINGSTON
Bench**

Item No.	Length	Width	Height	Seats	Finish
323	120cm	59cm	94cm	2	Smooth
310	150cm	59cm	94cm	3	Smooth
309	180cm	59cm	94cm	4	Smooth



**HERITAGE
Bench**

Item No.	Length	Width	Height	Seats	Finish
317	120cm	71cm	101cm	2	Smooth
318	150cm	71cm	101cm	3	Smooth
319	180cm	71cm	101cm	4	Smooth



**GRAND CAYMAN
Bench**

Item No.	Length	Width	Height	Seats	Finish
307	135cm	56cm	45cm	2	Smooth
306	165cm	56cm	45cm	3	Smooth
305	195cm	56cm	45cm	4	Smooth



**MAURITIUS
Bench**

Item No.	Length	Width	Height	Seats	Finish
314	120cm	71cm	101cm	2	Smooth
315	150cm	71cm	101cm	3	Smooth
316	180cm	71cm	101cm	4	Smooth





MONTEGO Dining Table

Item No.	Length	Width	Height	Seats
820	80cm	80cm	75cm	4
861	100cm	100cm	75cm	4
847	150cm	150cm	75cm	8



MONTEGO Dining Table

Item No.	Length	Width	Height	Seats
848	150cm	80cm	75cm	6
849	180cm	80cm	75cm	8
843	150cm	100cm	75cm	6
864	180cm	100cm	75cm	8
842	210cm	100cm	75cm	8
874	240cm	100cm	75cm	10



MONTEGO Bar Table

Item No.	Length	Width	Height	Seats	Finish
878	120cm	70cm	100cm	4	Smooth
885	180cm	60cm	100cm	6	Smooth



KINGSTON Chair

Item No.	Length	Width	Height	Finish
618	47cm	59cm	94cm	Smooth



KINGSTON Chair with Arms

Item No.	Length	Width	Height	Finish
619	50cm	59cm	94cm	Smooth



FLINDERS Chair with Arms

Item No.	Length	Width	Height	Finish
642	58cm	64cm	87cm	Smooth



MONTEGO Bar Stool

Item No.	Length	Width	Height	Finish
877	45cm	45cm	75cm	Smooth



MADEIRA Folding Chair

Item No.	Length	Width	Height	Finish
620	47cm	61cm	93cm	Smooth



MADEIRA Folding Chair with Arms

Item No.	Length	Width	Height	Finish
621	57cm	61cm	93cm	Smooth



FLINDERS WICKER
Chair with Arms

Hand Woven Wicker & Teak

Item No.	Length	Width	Height	Finish
6425	58cm	64cm	87cm	Smooth



FLINDERS GREY WICKER
Chair with Arms

Hand Woven Grey Wicker & Teak

Item No.	Length	Width	Height	Finish
6425G	58cm	64cm	87cm	Smooth



FLINDERS WICKER RWW
Chair with Arms

Hand Woven Wicker & Rustic White wash Teak

Item No.	Length	Width	Height	Finish
6425RWW	58cm	64cm	87cm	Rustic White wash



PAMAMA
Backless Bench

Item No.	Length	Width	Height	Seats	Finish
301	45cm	41cm	46cm	1	Smooth
320	90cm	41cm	46cm	2	Smooth
304	120cm	41cm	46cm	2	Smooth
303	150cm	41cm	46cm	3	Smooth
302	180cm	41cm	46cm	4	Smooth
300	210cm	41cm	46cm	4	Smooth



Coffee Table

Item No.	Length	Width	Height	Finish
810RWW	90cm	55cm	45cm	Rustic White Wash
809RWW	135cm	65cm	45cm	Rustic White Wash



Coffee Table

Item No.	Length	Width	Height	Finish
810	90cm	55cm	45cm	Smooth
809	135cm	65cm	45cm	Smooth



Folding Coffee Table

Item No.	Length	Width	Height	Finish
814	45cm	45cm	45cm	Smooth



Coffee Table

Item No.	Length	Width	Height	Finish
811	50cm	50cm	45cm	Smooth





6581 Florence Deluxe dining chair



6580 Florence Deluxe dining Arm chair



6425 Casablanca dining Chair



6561 Admiral Dining Chair



2131 Florence 1 Seat lounger



2132 Florence 2 Seat lounger



2133 Florence 3 Seat lounger



8061 Florence table 50x50



8062 Florence table 60x60



8063 Florence Low dining 1350x65x60H



8068 Florence table 80x80



**ALEXANDER
Dining Table**

Item No.	Length	Width	Height	Seats	Finish
8241RWW	240cm	110cm	75cm	10	Rustic White Wash
8240RWW	300cm	110cm	75cm	12	Rustic White Wash



ALEXANDER Ding Table

Item No.	Length	Width	Height	seats	Finish
8243	210cm	100cm	75cm	8	Smooth
8241	240cm	110cm	75cm	10	Smooth
8240	300cm	110cm	75cm	12	Smooth



6500 Venice Deluxe Dining chair



2121 Venice 1 seat lounge
76Wx90Hx73D



2122 Venice 2 Seat Lounge
140Wx90Hx73D



2123 Venice 3 Seat Lounge
206Wx90Hx73D



8063 Venice Low dining
1350x65x60h



8061 Venice Coffee 50x50



8068 Venice table 80x80



8062 Venice Coffee 60x60



4025 Venice wicker sun bed



2124 Venice Ottoman 75x75x45H



6561 Venice Admiral Dining Chair



6560 Venice Admiral Bar chair 70H





OFFICE



ACCENT COLLECTION

Accent - Desking



PANEL END DESK

Top: Melamine 25mm Thickness
Side/ Square Corners: Melamine 25mm Thickness
Adjustable Feet

CODE	DIMENSION
IFDE1206	1200W x 600D x 725H
IFDE1207	1200W x 750D x 725H
IFDE1507	1500W x 750D x 725H
IFDE1807	1800W x 750D x 725H
IFDE1809	1800W x 900D x 725H
IFDE2109	2100W x 900D x 725H
OPTION	Fully Assembled



FIXED PANEL END DESK RETURN

Top: Melamine 25mm Thickness
Side/ Square Corners: Melamine 25mm Thickness
Adjustable Feet
Can be Assembled & Fitted to Left or Right Side

CODE	DIMENSION
IFFR0904	900W x 450D x 725H
IFFR0906	900W x 600D x 725H
OPTION	Fully Assembled



Other Colours Available
see page 60



BOAT SHAPED BOARD TABLE

Top: Melamine 25mm Thickness
 Base: Melamine 25mm Thickness
 Adjustable Feet
 Double Modesty 'H' Base

CODE	DIMENSION
IFBOTB24	2400W x 1200D x 725H
OPTION	Fully Assembled



ROUND TOP TABLE

Top: Melamine 25mm Thickness
 Base: Cross Base Melamine 25mm Thickness
 Adjustable Feet

CODE	DIMENSION
IFRDTA09	Ø900 x 725H
IFRDTA12	Ø1200 x 725H
OPTION	Fully Assembled

Accent - Workstation



2 PIECE RADIAL WORKSTATION

Top: Melamine 25mm Thickness
 Side/ Square Corners: Melamine 25mm Thickness
 600mm Deep Left or Right Side Return
 2 Cable Holes & Adjustable Feet

CODE	DIMENSION
IFWSLH	1800W x 750D 1800W x 600D x 725H
IFWSRH	1800W x 750D 1800W x 600D x 725H
OPTION	Fully Assembled



3 PIECE SPLAY WORKSTATION

Top: Melamine 25mm Thickness
 1 Cable Hole
 Side/ Square Corners: Melamine 25mm Thickness
 Adjustable Feet

CODE	DIMENSION
IF3PWS1506	1500W x 1500W x 600D x 725H
IF3PWS1806	1800W x 1800W x 600D x 725H
IF3PWS1807	1800W x 1800W x 750D x 725H
OPTION	Fully Assembled

Accent - Fixed Pedestal



2 SMALL DRAWERS

Fixed Storage Unit No Lock
Fits Under Desk/ Workstation/ 600D Return
Partially Assembled in Carton

CODE	DIMENSION
IFFPS	404W x 505D x 297H
OPTION	Fully Assembled



1 SMALL DRAWER + 1 FILE DRAWER

Fixed File Storage Unit
Fits Under Desk/ Workstation/ 600D Return
Includes Master-Key Lock

CODE	DIMENSION
IFFP2L	404W x 505D x 445H
OPTION	Fully Assembled



3 SMALL DRAWERS

Fixed Storage Unit
Fits Under Desk/ Workstation/ 600D Return
Includes Master-Key Lock
Partially Assembled in Carton

CODE	DIMENSION
IFFP3L	404W x 505D x 445H
OPTION	Fully Assembled

Accent - Buffet & Bookcase



SLIDING DOOR BUFFET

Solid Back + 25mm Top
Includes Master- Key Lock
Adjustable Shelves
Adjustable Feet

CODE	DIMENSION
IFBUSL12 (2 Doors + 2 Shelves)	1200W x 450D x 725H
IFBUSL15 (2 Doors + 2 Shelves)	1500W x 450D x 725H
IFBUSL18 (2 Doors + 2 Shelves)	1800W x 450D x 725H
OPTION	Fully Assembled



HINGED DOOR BUFFET

Solid Back + 25mm Top
Includes Master- Key Lock
Adjustable Shelves
Adjustable Feet

CODE	DIMENSION
IFBUHGL09 (2 Doors + 1 Shelf + 1 Lock)	900W x 450D x 725H
OPTION	Fully Assembled



OPEN BOOKCASE

Solid Back + 25mm Top & 18mm Side
Adjustable Shelves with Cliphook Support
Adjustable Feet

CODE	DIMENSION
IFBC09 (1 Shelf)	900H x 900W x 300D
IFBC12 (2 Shelves)	1200H x 900W x 300D
IFBC15 (3 Shelves)	1500H x 900W x 300D
IFBC18 (4 Shelves)	1800H x 900W x 300D
IFBCSH	Extra Shelf
OPTION	Fully Assembled

Accent - Mobile Pedestal & Filing Cabinet



2 SMALL DRAWERS + 1 FILE DRAWER

Mobile Storage Unit
Includes Master-Key Lock
Partially Assembled in Carton

CODE	DIMENSION
IFMP3L	406W x 510D x 670H
OPTION	Fully Assembled



4 SMALL DRAWERS

Mobile Storage Unit
Includes Master-Key Lock
Partially Assembled in Carton

CODE	DIMENSION
IFMP4L	406W x 510D x 670H
OPTION	Fully Assembled



CABINET - 4 FILE DRAWERS

25mm Top/ 18mm Side & Drawer Front
Full Extension Runners with Adjustable Feet
Includes Master-Key Lock
Partially Assembled in Carton

CODE	DIMENSION
IFFC4L	1200H x 465W x 505D
OPTION	Fully Assembled

Accent - Cupboard & Hutch



STATIONERY CUPBOARD

Solid Back + 25mm Top & 18mm Side
2 Full Hinged Doors with Master- Key Lock
4 Adjustable 25mm Shelves
Adjustable Feet

CODE	DIMENSION
IFSCLO9	1800H x 900W x 450D
OPTION	Fully Assembled



STORAGE CUPBOARD/ BOOKCASE

Solid Back + 25mm Top & 18mm Side
2 Half Hinged Doors with Master- Key Lock
2 Adjustable 25mm Shelves (Bookcase)
1 Adjustable 25mm Shelf (Cupboard)
Adjustable Feet

CODE	DIMENSION
IFCPBC	1800H x 800W x 450D
OPTION	Fully Assembled



ADJUSTABLE SHELF HUTCH

Solid Back + 25mm Top & 18mm Side
Adjustable 25mm Shelves
Plastic Corner Connectors

CODE	DIMENSION
IFHU12 (4 Shelves)	1200W x 300D x 1075H
IFHU15 (4 Shelves)	1500W x 300D x 1075H
IFHU18 (4 Shelves)	1800W x 300D x 1075H
OPTION	Fully Assembled

COLOR SWATCH

Melamine

WT White

GR Grey

BU Steel Blue

BL Black

CG Coal Grey

CW Cherry Wood

CB Crown Beech

RG Red Gum

IR Ironstone

PA Parchment

Plastic

WT White

BL Black

Mesh

OR Orange

BL Black



Warranty period for chairs, lounges and tables



Weight rating for individual chairs, lounges and tables*



Fully imported Chairs, lounges, tables, parts and components.



The Performance criteria adopted for certification by Furntech is based on Australian standards, e.g. Level 6 - Severe commercial and heavy industrial.*

**Weight limits are self-rated by Style Ergonomic Australia. AFRDI approved chairs are normally rated to 110kg.*



Furntech is an independent not-for-profit technical organisation providing standards, testing product certification and research for buyers and sellers of furniture.

AFRDI 142
Certification



AFRDI rating for multi shift use and 160kg weight limit.



BIFMA is a third-party certification program that provides manufacturers with valuable feedback for evaluating the environmental, human, and social impacts of their furniture products for manufacturing, facility, and organisation.

EXPRESS RANGE PAGE 88
 LOCALLY UPHOLSTERED RANGE..... PAGE 106

EXPRESS RANGE

THE FOLLOWING PRODUCT RANGE IS ONLY AVAILABLE IN THE COLOURS AS STATED IN THE SPECIFICATIONS

CAN BE SHIPPED WITHIN A WEEK OF ORDERING.



R4 EXECUTIVE SEATING

WEB RANGE



FEATURES

- » Adjustable seat height
- » Adjustable seat and back angle
- » Adjustable weight tension
- » Fixed chrome arms
- » Available in high and low back
- » Knee tilt mechanism with 3 locking positions
- » 700mm aluminium base
- » Available in black, red and white PU only
- » Minor assembly required
- » Suitable for indoor use only
- » 5 year warranty
- » Weight limit is 120kg

COLOUR



B-Black R-Red W-White



WEB-HB



WEB-LB



WEB-HR



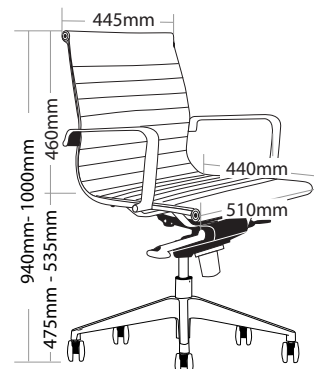
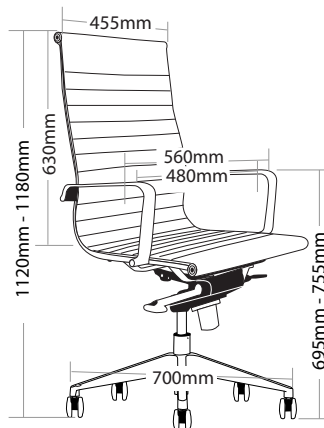
WEB-LR



WEB-HW



WEB-LW



AQUA RANGE



FEATURES

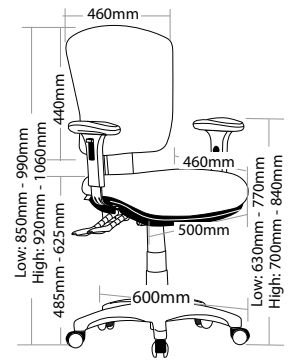
- » Adjustable seat height
- » Adjustable back height (ratchet)
- » Adjustable seat and back angle
- » Optional adjustable arms
- » Available in high and low back
- » Moulded seat and back foam
- » 3 lever ergonomic mechanism
- » 600mm black nylon base
- » Available in Metro black only
- » AFRDI tested to level 6
- » Minor assembly required
- » Suitable for indoor use only
- » 7 year warranty
- » Weight limit is 130kg



AQUA-L-MB



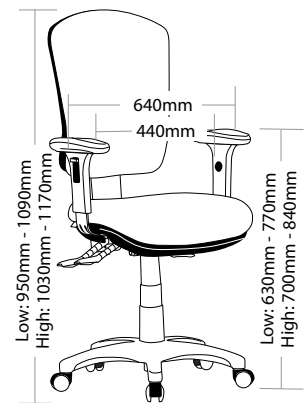
AQUA-LC-MB



AQUA-H-MB



AQUA-HC-MB



CLICK RANGE



FEATURES

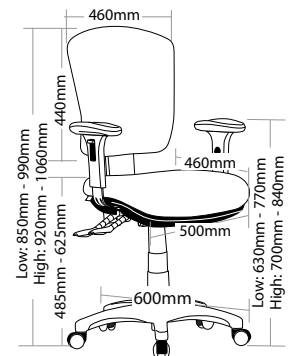
- » Adjustable seat height
- » Adjustable back height (ratchet)
- » Adjustable seat and back angle
- » Optional adjustable arms
- » Available in high and low back
- » Moulded seat and back foam
- » Square seat
- » 3 lever ergonomic mechanism
- » 660mm black nylon base
- » Available in Metro black only
- » AFRDI tested to level 6
- » Minor assembly required
- » Suitable for indoor use only
- » 7 year warranty
- » Weight limit is 130kg



CLICK-L-MB



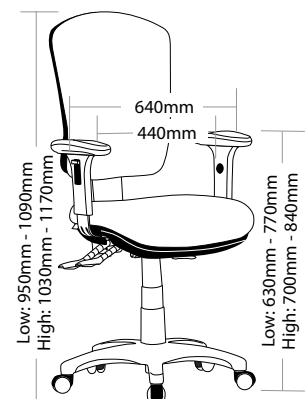
CLICK-LC-MB



CLICK-H-MB



CLICK-HC-MB



HINO RANGE

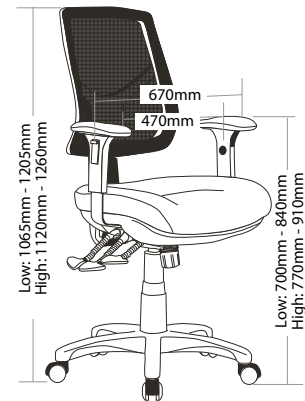
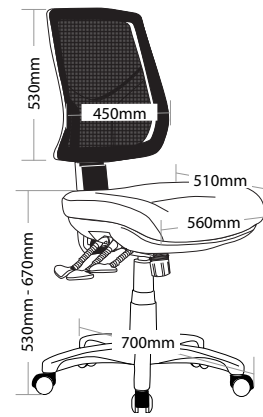


FEATURES

- » Adjustable seat height
- » Adjustable back height (ratchet)
- » Adjustable seat and back angle
- » Adjustable weight tension
- » Optional adjustable arms
- » Moulded seat foam
- » Mega big boy seat
- » Mesh back
- » 3 lever heavy duty ergonomic mechanism
- » 700mm black nylon base
- » Chair not available with drafting kit
- » Available in Metro black only
- » AFRDI tested to level 6
- » Minor assembly required
- » Suitable for indoor use only
- » 7 year warranty
- » Weight limit is 140kg



HINO-MB



CHEVY RANGE

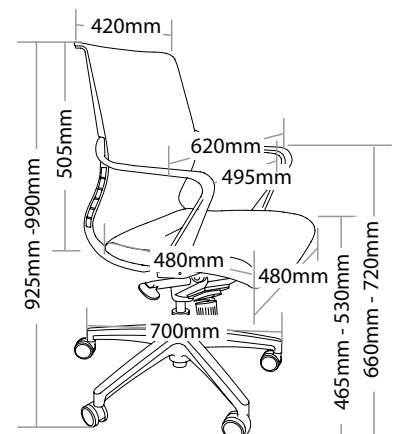


FEATURES

- » Adjustable seat height
- » Adjustable seat and back angle
- » Adjustable weight tension
- » Mesh back
- » Fixed arms
- » Knee tilt mechanism with 3 locking positions
- » 700mm black nylon base
- » Available in black only
- » Minor assembly required
- » Suitable for indoor use only
- » 5 year warranty
- » Weight limit is 120kg



CHEVY

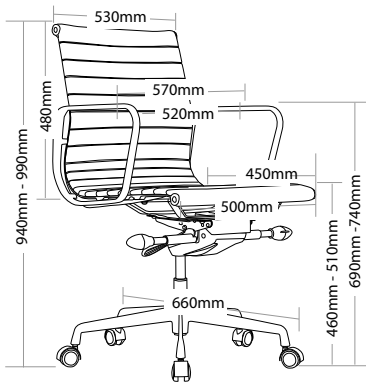


VOLT RANGE



» FEATURES

- » Adjustable seat height
- » Adjustable seat and back angle
- » Adjustable weight tension
- » Fixed arms
- » Knee tilt mechanism with 3 locking positions
- » 660mm heavy duty black aluminium base
- » Black powder coated frame
- » Available in black mesh, terracotta PU, tan PU and black PU
- » Minor assembly required
- » Suitable for indoor use only
- » 5 year warranty
- » Weight limit is 130kg



VOLT-ME



VOLT-TE



VOLT-TA



VOLT-BL

R4 EXECUTIVE SEATING

HILTON RANGE



FEATURES

HILTON-H/ HILTON-L

- » Adjustable seat height
- » Adjustable seat and back angle
- » Adjustable weight tension
- » Adjustable arms
- » Available in high and low back
- » Synchron mechanism with 3 locking positions
- » 700mm large black nylon base
- » Available in black PU only
- » Minor assembly required
- » Suitable for indoor use only
- » 5 year warranty
- » Weight limit is 120kg

HILTON-VC

- » Black metal frame
- » Available in black PU only
- » Minor assembly required
- » Suitable for indoor use only
- » 5 year warranty
- » Weight limit is 120kg



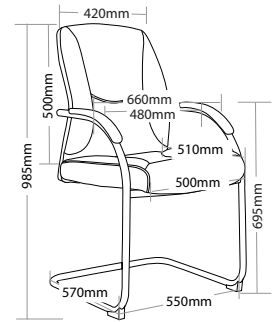
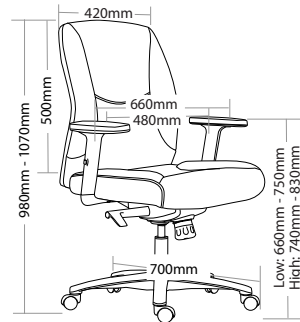
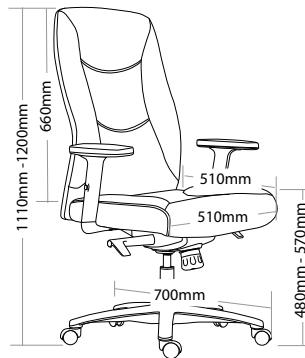
HILTON-H



HILTON-L



HILTON-VC



CRUZ RANGE



FEATURES

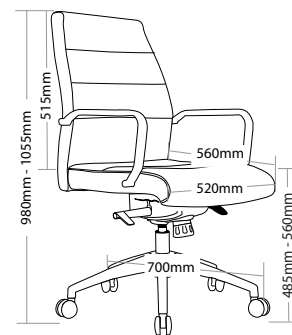
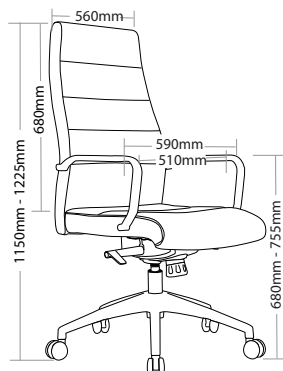
- » Adjustable seat height
- » Adjustable seat and back angle
- » Adjustable weight tension
- » Fixed chrome arms
- » Available in high and low back
- » Knee tilt mechanism with 3 locking positions
- » 700mm aluminium base
- » Available in black PU only
- » Minor assembly required
- » Suitable for indoor use only
- » 5 year warranty
- » Weight limit is 120kg



CRUZ-H



CRUZ-L



BOSTON RANGE



FEATURES

BOSTON-H/ BOSTON-L

- » Adjustable seat height
- » Adjustable seat and back angle
- » Adjustable weight tension
- » Adjustable aluminium arms
- » Available in high and low back
- » High density foam
- » Synchron mechanism with 3 locking positions
- » 700mm aluminium base
- » Available in black PU only
- » Minor assembly required
- » Suitable for indoor use only
- » 5 year warranty
- » Weight limit is 120kg

BOSTON-VC

- » Chrome frame
- » High density foam
- » Available in black PU only
- » Minor assembly required
- » Suitable for indoor use only
- » 5 year warranty
- » Weight limit is 120kg



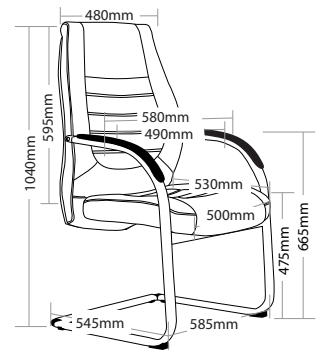
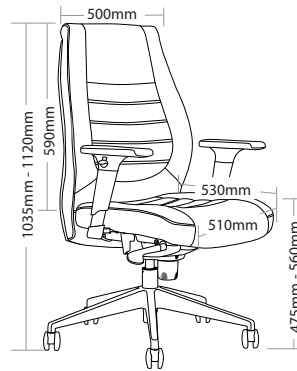
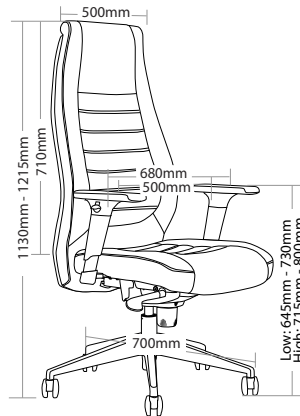
BOSTON-H



BOSTON-L



BOSTON-VC



FLASH RANGE



FEATURES

FLASH-H/ FLASH-L

- » Adjustable seat height
- » Adjustable seat and back angle
- » Adjustable weight tension
- » Fixed arms
- » Available in high and low back
- » Knee tilt mechanism with 3 locking positions
- » 700mm aluminium base
- » Aluminium frame
- » Available in black leather only
- » Minor assembly required
- » Suitable for indoor use only
- » 5 year warranty
- » Weight limit is 120kg

FLASH-VC

- » Aluminium cantilever frame
- » Available in black leather only
- » Minor assembly required
- » Suitable for indoor use only
- » 5 year warranty
- » Weight limit is 120kg



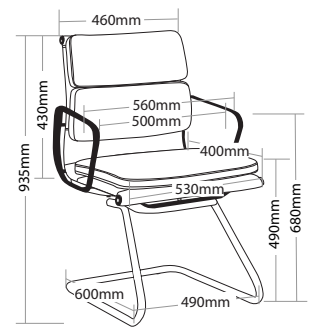
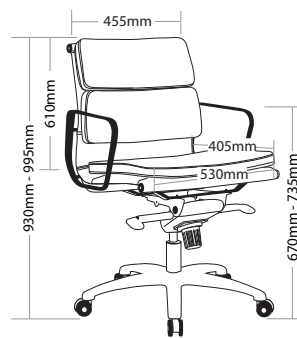
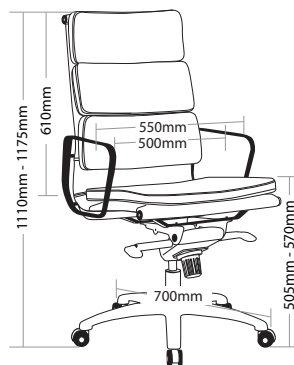
FLEX1H



FLEX1L



FLVC1



R4 EXECUTIVE SEATING

MAGNUM RANGE



FEATURES

MAGNUM-H/MAGNUM-L

- » Adjustable seat height
- » Adjustable seat and back angle
- » Adjustable weight tension
- » Fixed aluminium arms
- » Available in high and low back
- » Moulded seat and back foam
- » Knee tilt mechanism with 3 locking positions
- » 700mm aluminium base
- » Extremely comfortable
- » Available in black leather only
- » Suitable for indoor use only
- » 5 year warranty
- » Weight limit is 120kg

MAGNUM-VC

- » Fixed aluminium arms
- » Chrome cantilever frame
- » Extremely comfortable
- » Available in black leather only
- » Suitable for indoor use only
- » 5 year warranty
- » Weight limit is 120kg



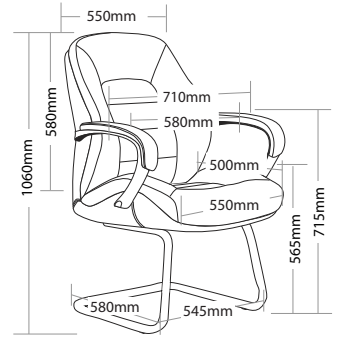
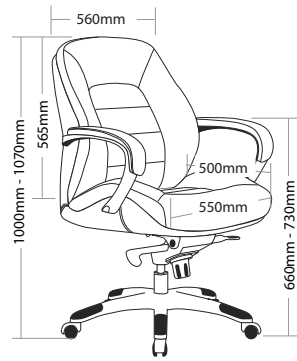
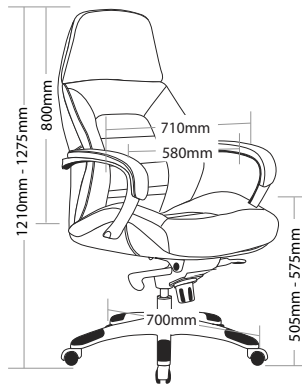
MAGNUM-H



MAGNUM-L



MAGNUM-VC



NEO RANGE

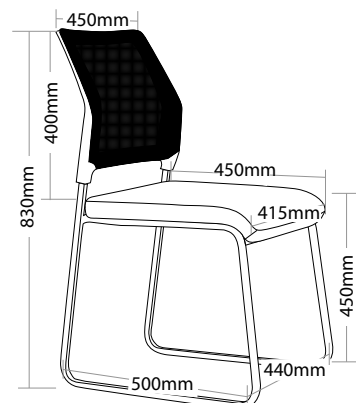


FEATURES

- » Not available with arms
- » Stackable
 - » Maximum 5 chairs on floor
- » Square tube
- » Mesh back
- » Padded seat
- » Black metal frame
- » Available in black only
- » Minor assembly required
- » Suitable for indoor use only
- » 3 year warranty
- » Weight limit is 120kg



NEO



VINN RANGE

WARRANTY
4
 Year

WEIGHT LIMIT
120
 Kilogram

IMPORTED

FEATURES

- » Optional plastic or mesh back
- » Optional arms, tablet arm or stool
- » Optional black metal trolley, easy to move when stacked
- » Available in beam seating
- » Stackable
 - » Maximum 13 chairs on trolley
 - » Maximum 5 chairs on floor
 - » Maximum 3 chairs with stools or arms
- » Not stackable with tablet arms or stool with arms
- » Linkable except with tablet arms or arms
- » Chrome finish
- » Black plastic
- » Plastic under pan
- » Solid steel sled base frame
- » Available in black only
- » Suitable for indoor use only
- » 4 year warranty
- » Weight limit is 120kg



VINN-B



VINN-BA



VINN-BT



VINN-TRL



VINN-MB



VINN-MBA



VINN-MBT



VINN-B-ST



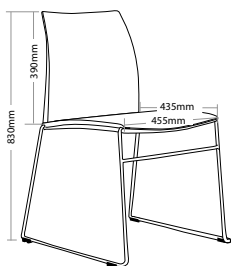
VINN-B-StA



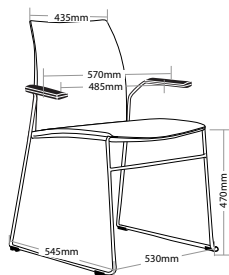
VINN-MB-ST



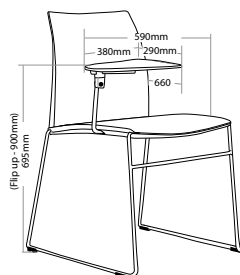
VINN-MB-StA



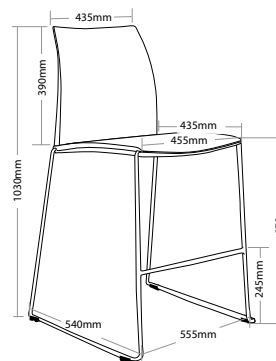
VINN-B



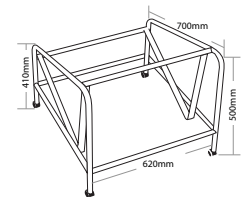
VINN-BA



VINN-BT



VINN-B-ST



VINN-TRL

POD SLED RANGE



FEATURES

- » Optional arms
- » Optional tablet arm
- » Optional black metal trolley, easy to move when stacked
- » Optional 4 legs or sled base chrome frame
- » Available in beam seating
- » Stackable
 - » Maximum 13 chairs on trolley
 - » Maximum 5 chairs on floor
 - » Not stackable with arms or tablet arms
- » Linkable except with tablet arms and arms
- » Plastic under pan
- » Available in black, red and white only
- » Suitable for indoor use only
- » 4 year warranty
- » Weight limit is 120kg

COLOUR



B-Black R-Red W-White



POD-SB



POD-SR



POD-SW



POD-SBA



POD-SRA



POD-SWA



POD-SBT



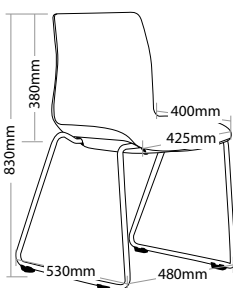
POD-SRT



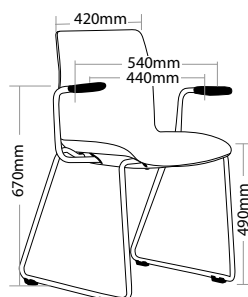
POD-SWT



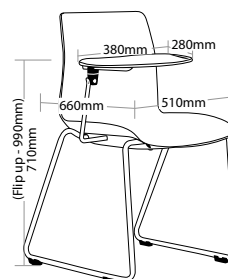
POD-TRL



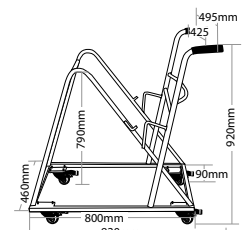
POD-S



POD-SA



POD-ST



POD-TRL

R6 BEAM SEATING

POD RANGE

WARRANTY
4
 Year

WEIGHT LIMIT
200
 Kilogram

WEIGHT LIMIT
300
 Kilogram

WEIGHT LIMIT
350
 Kilogram

IMPORTED

FEATURES

- » Optional 2, 3 or 4 seater
- » Heavy duty black metal beam frame
- » Adjustable feet
- » Available in black, red and white only
- » Minor assembly required
- » Suitable for indoor use only
- » 4 year warranty
- » Weight limit for 2 seater is 200kg
- » Weight limit for 3 seater is 300kg
- » Weight limit for 4 seater is 350kg

COLOUR



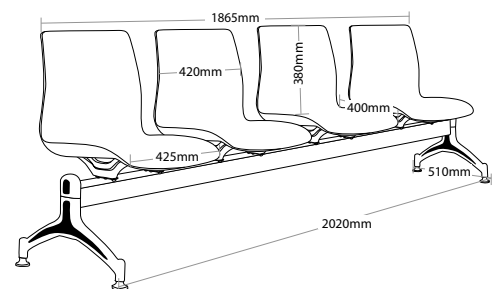
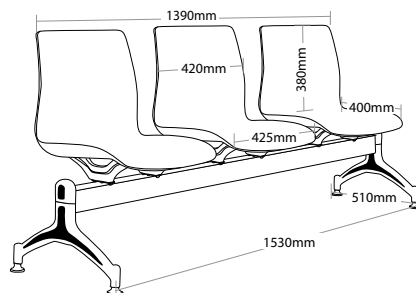
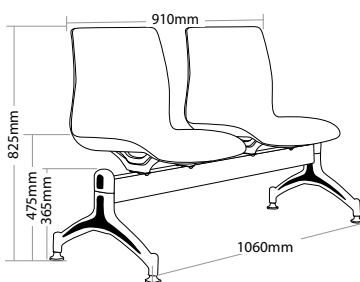
WEIGHT LIMIT
200
Kilogram



WEIGHT LIMIT
300
Kilogram



WEIGHT LIMIT
350
Kilogram



R7 BREAKOUT SEATING

TONIC RANGE



FEATURES

- » High density seat foam
- » Moulded back foam
- » Solid rod base sled chrome frame
- » Available in Sega charcoal and red only
- » Minor assembly required
- » Suitable for indoor use only
- » 5 year warranty
- » Weight limit is 120kg

COLOUR



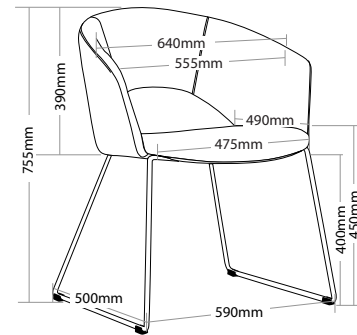
TONIC-C



BACK VIEW



TONIC-R



TECHNO RANGE

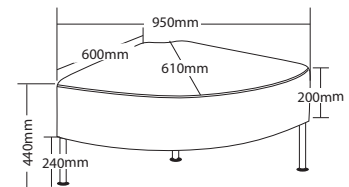


FEATURES

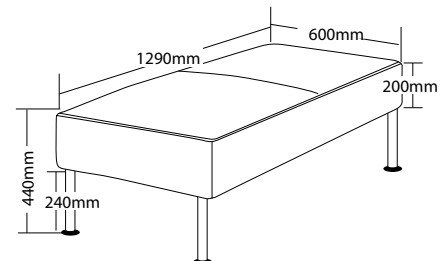
- » High density foam
- » Linkable
- » Plywood inner frame
- » Chrome metal feet
- » Available in black PU only
- » Minor assembly required
- » Suitable for indoor use only
- » 2 Year warranty
- » Weight limit is 120kg



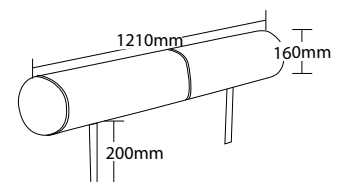
TECHNO-1



TECHNO-2



TECHNO-B



DEMO RANGE



FEATURES

- » Adjustable seat height
- » Swivel seat
- » Moulded foam
- » 700mm aluminium 4 star base
- » Plywood shell
- » Available in black and white PU only
- » Minor assembly required
- » Suitable for indoor use only
- » 5 year warranty
- » Weight limit is 120kg

COLOUR



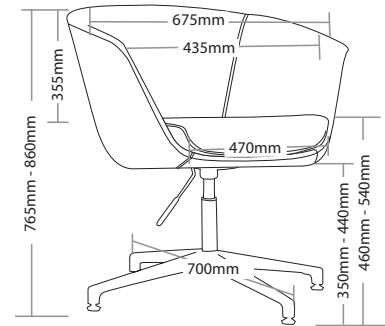
DEMO-B



SIDE VIEW



DEMO-W



ORION RANGE

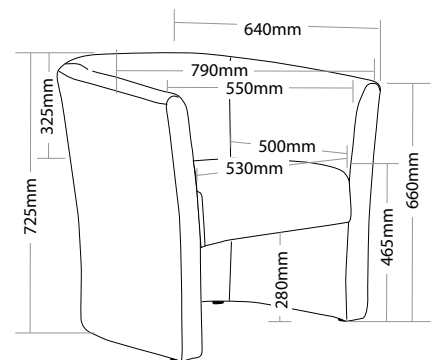


FEATURES

- » High density foam
- » Steel frame
- » Plastic feet
- » Available in black PU only
- » Minor assembly required
- » Suitable for indoor use only
- » 3 year warranty
- » Weight limit is 120kg



ORION



JADEN RANGE



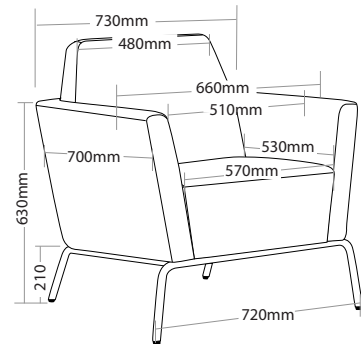
FEATURES

- » Optional 1 or 2 seater
- » High density foam
- » Stainless steel frame
- » Solid timber inner frame
- » Available in black PU only
- » Minor assembly required
- » Suitable for indoor use only
- » 5 year structural warranty
- » Weight limit for 1 seater is 130kg
- » Weight limit for 2 seater is 260kg

WEIGHT LIMIT
130
Kilogram



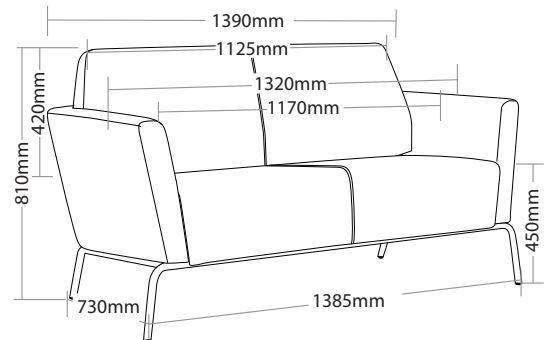
JADEN-1



WEIGHT LIMIT
260
Kilogram



JADEN-1



RUBY RANGE



FEATURES

- » Steel frame
- » Stainless steel legs
- » Suitable for indoor use only
- » Available in black, red and white PU only
- » Minor assembly required
- » Suitable for indoor use only
- » 5 year warranty
- » Weight limit is 120kg



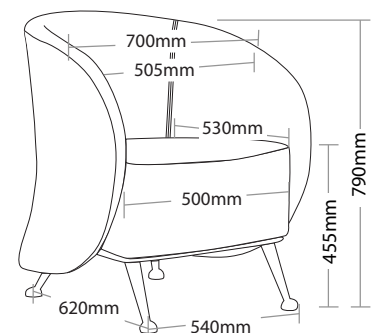
RUBY-B



RUBY-R



RUBY-W



COLOUR



PLAZA RANGE



FEATURES

- » Optional 1, 2 or 3 seater
- » Pocket spring seat
- » Loose cushions upholstered both sides
- » Zig zag steel spring
- » Webbed base
- » Solid hardwood frame
- » Stainless steel feet
- » Available in black PU only
- » Minor assembly required
- » Suitable for indoor use only
- » 5 year warranty
- » Weight limit for 1 seater is 130kg
- » Weight limit for 2 seater is 260kg
- » Weight limit for 3 seater is 390kg



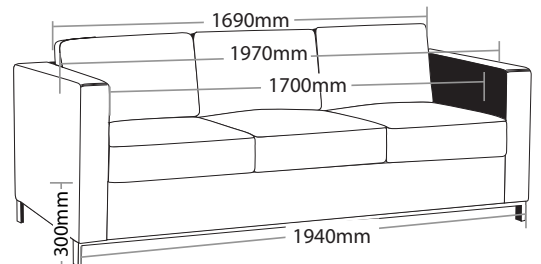
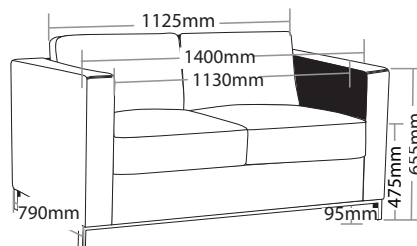
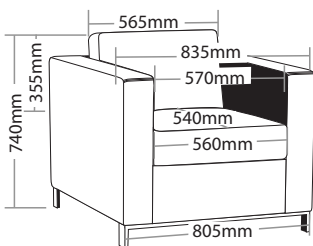
PL-2S



PL-2S



PL-3S

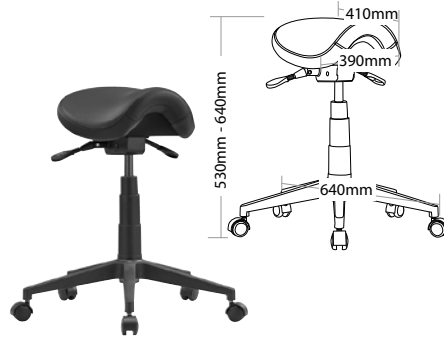


CAD RANGE



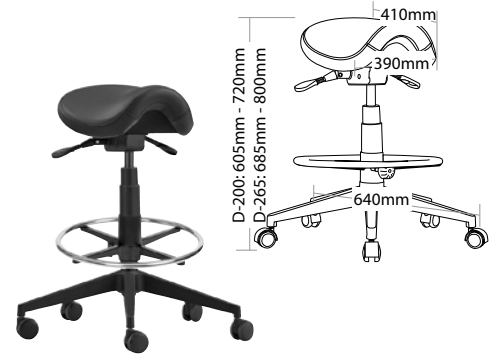
FEATURES

- » Adjustable seat height
- » Adjustable seat angle
- » Optional drafting kit
- » Optional glides or brake castors
- » Saddle seat
- » Nylon castors
- » 640mm black nylon base
- » Available in black PU only
- » Minor assembly required
- » Suitable for indoor use only
- » 5 year warranty
- » Weight limit is 120kg



CAD

INDUSTRIAL STOOLS R9



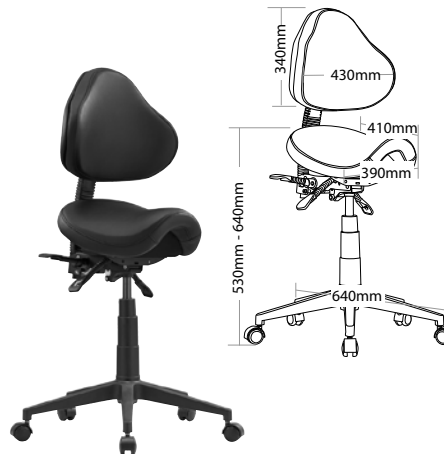
CAD-D

STAGE RANGE

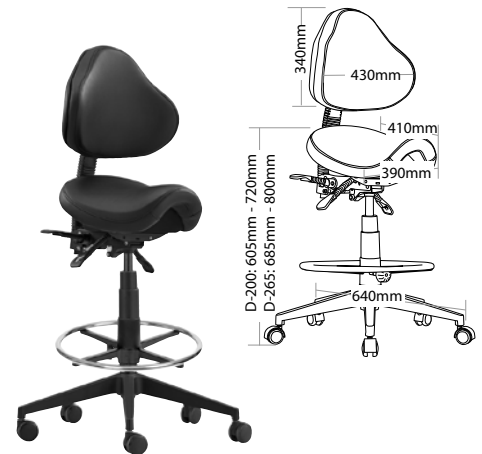


FEATURES

- » Adjustable seat height
- » Adjustable back height
- » Adjustable seat and back angle
- » Optional drafting kit
- » Optional glides or brake castors
- » Saddle seat
- » 640mm Black nylon base
- » Available in black PU only
- » Minor assembly required
- » Suitable for indoor use only
- » 5 year warranty
- » Weight limit is 120kg



STAGE



STAGE-D

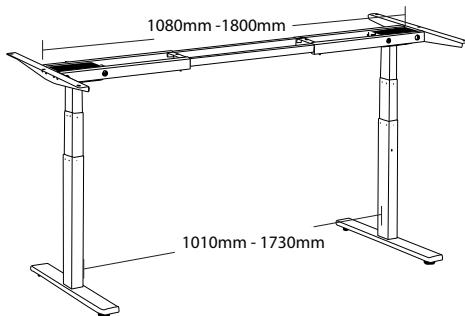
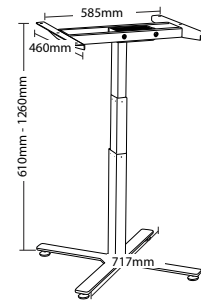
R10 ADJUSTABLE TABLES

ERGO LIFT RANGE



FEATURES

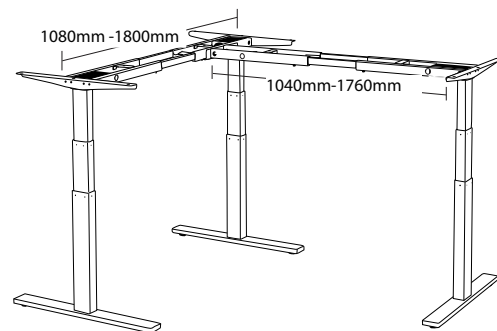
- » Adjustable height
- » Adjustable frame width
- » Adjustable feet
- » Optional with return (left or right)
- » Optional 120 degree angle
- » Optional single leg
- » Heavy duty frame
- » Easy to use also has an anti collision sensor
- » White powder coating only
- » AFRDI approved
- » Minor assembly required
- » Suitable for indoor use only
- » 7 year warranty
- » Weight limit is 160kg



EL-DESK



EL-DLL

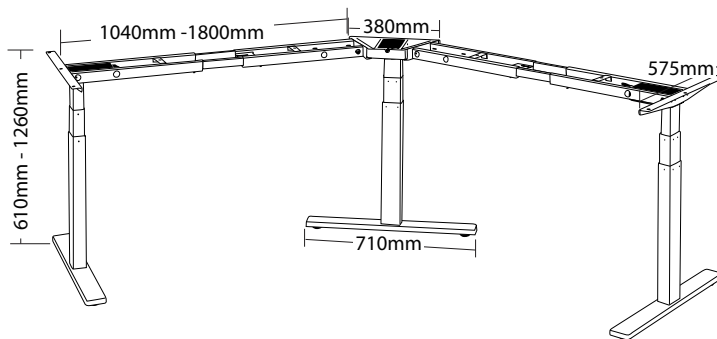




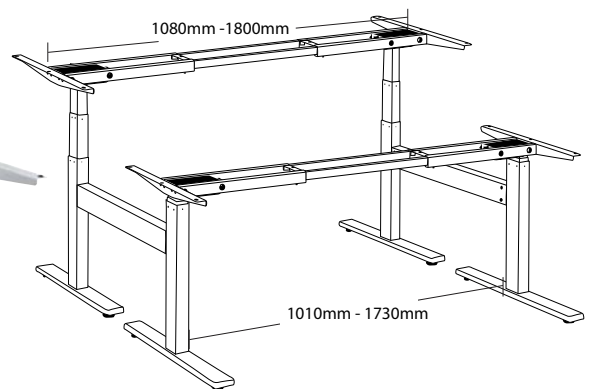
EL-DRL



EL-D120



EL-DD



LOCALLY UPHOLSTERED

THE FOLLOWING PRODUCT RANGE IS ABLE TO BE UPHOLSTERED IN ANY FABRIC REQUIRED OR IN ANY OF THE HOUSE FABRIC RANGES.

THIS IS JUST A SELECTION OF OUR PRODUCTS. A LARGER RANGE IS AVAILABLE ELECTRONICALLY.



R1 TASK SEATING

PRESTIGE



P350



P350C



P350D

FEATURES

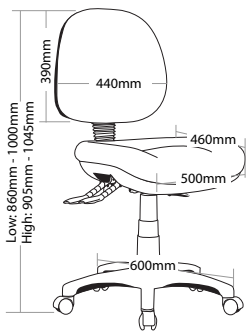
- » Adjustable seat height
- » Adjustable back height
- » Adjustable seat angle (with 3 lever mechanism only)
- » Adjustable back angle
- » Optional adjustable arms
- » Optional seat depth (seat slider) (not available on drafting chair)
- » Optional drafting kit
- » Optional 2 or 3 lever mechanism
- » Available in high and low back
- » Moulded seat and back foam
- » 600mm black nylon base
- » Available in local fabrics
- » AFRDI tested to level 6
- » Suitable for indoor use only
- » 7 year warranty
- » Weight limit is 130kg



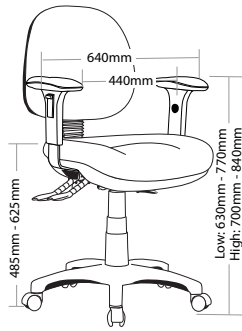
P350H



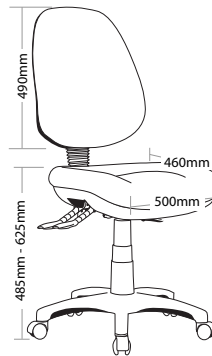
P350HC



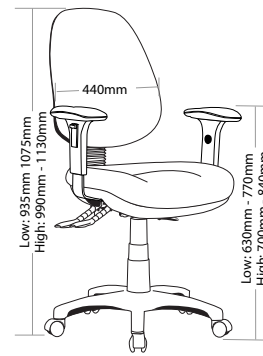
P350



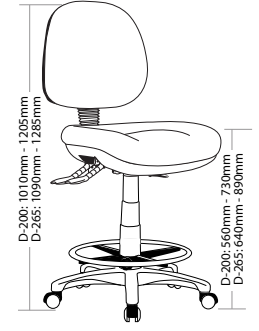
P350C



P350H



P350HC



P350D

ECOTECH



E350

E350C

E350D

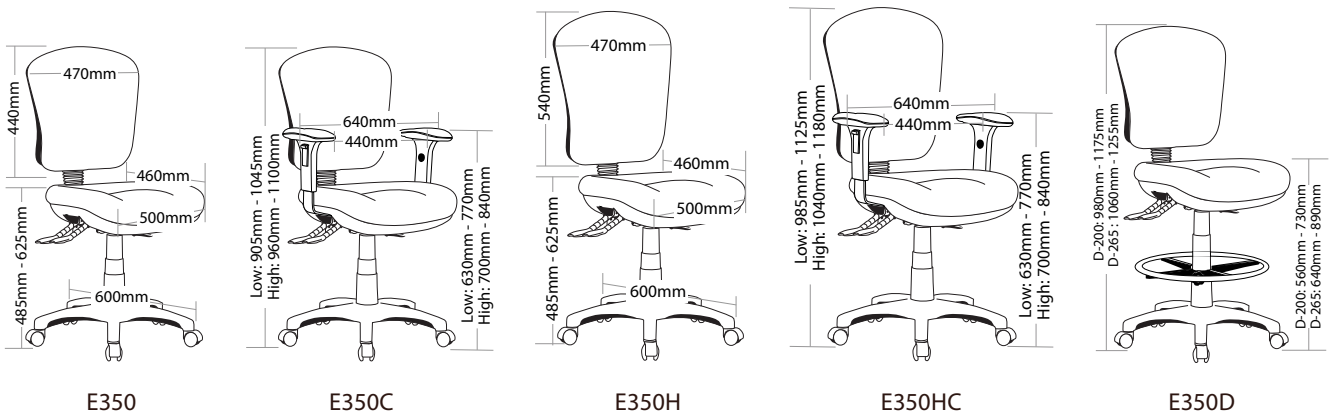
FEATURES

- » Adjustable seat height
- » Adjustable back height
- » Adjustable seat angle (with 3 lever mechanism only)
- » Adjustable back angle
- » Optional adjustable arms
- » Optional seat depth (seat slider) (not available on drafting chair)
- » Optional drafting kit
- » Optional 2 or 3 lever mechanism
- » Available in high and low back
- » Moulded seat and back foam
- » 600mm black nylon base
- » Available in local fabrics
- » AFRDI tested to level 6
- » Suitable for indoor use only
- » 7 year warranty
- » Weight limit is 130kg



E350H

P350HC



AVOCA



MAV350



MAV350C



MAV350D

FEATURES

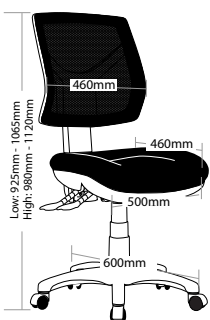
- » Adjustable seat height
- » Adjustable back height (ratchet)
- » Adjustable seat angle (with 3 lever mechanism only)
- » Adjustable back angle
- » Optional adjustable arms
- » Optional seat depth (seat slider) (not available on drafting chair)
- » Optional drafting kit
- » Optional 2 or 3 lever mechanism
- » Available in high and low back
- » Moulded seat foam
- » Mesh back
- » 600mm black nylon base
- » Available in local fabrics
- » Back mesh available in Jazz mesh
- » AFRDI tested to level 6
- » Suitable for indoor use only
- » 7 year warranty
- » Weight limit is 130kg



MAV350H



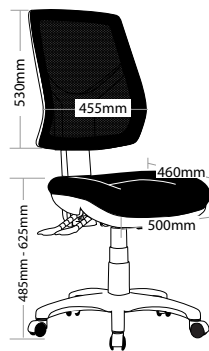
MAV350HC



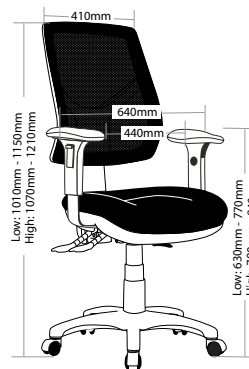
MAV350



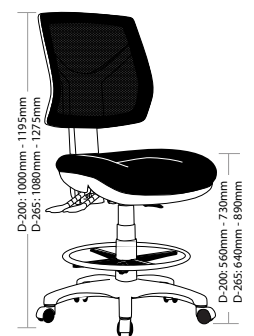
MAV350C



MAV350H



MAV350HC



MAV350D

CHELSEA



MCH600L

MCH600LC

MCH600LD

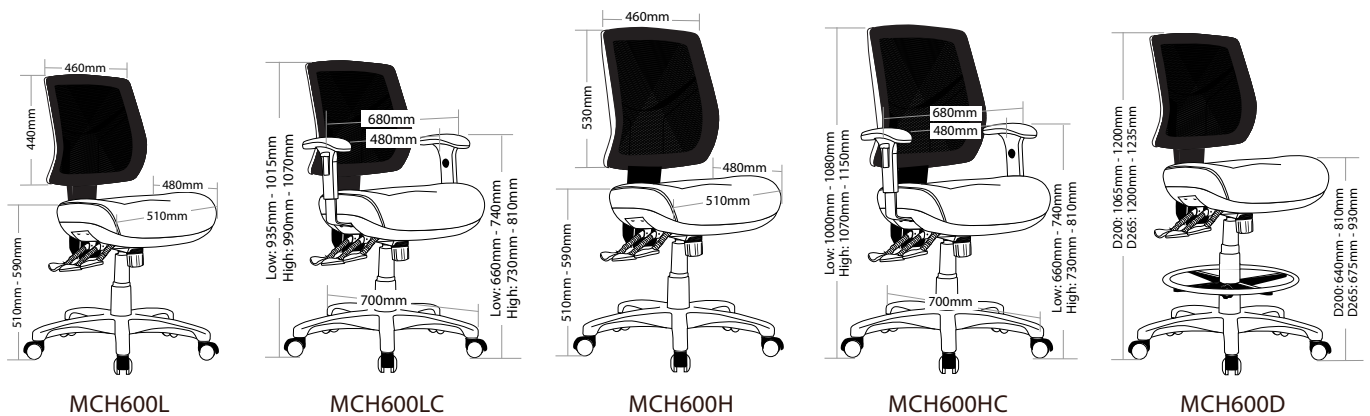
FEATURES

- » Adjustable seat height
- » Adjustable back height (ratchet)
- » Adjustable back and seat angle
- » Adjustable weight tension
- » Optional adjustable arms
- » Optional seat depth (seat slider) (not available on drafting chair)
- » Optional drafting kit
- » Available in high and low back
- » Moulded seat foam
- » Mesh back
- » Big boy seat
- » 3 lever ergonomic heavy duty mechanism
- » 700mm black nylon base
- » Available in local fabrics
- » Back mesh available in Jazz mesh
- » AFRDI tested to level 6
- » Suitable for indoor use only
- » 7 year warranty
- » Weight limit is 140kg



MCH600H

MCH600HC



R2 MULTI SHIFT SEATING

ROTARY

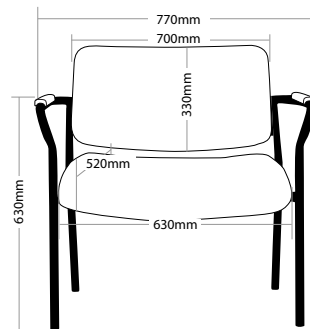


FEATURES

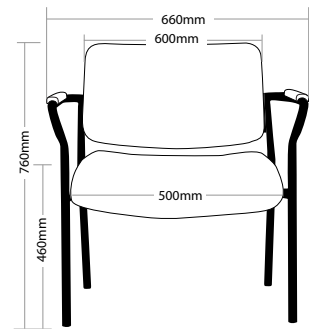
- » Available in 2 seat widths
- » High density foam
- » Plastic under pan
- » Heavy duty black textured metal frame
- » Available in local fabrics
- » Optional frame or base colour (please allow 5 more days)
- » Suitable for indoor use only
- » 7 year warranty
- » Weight limit is 200kg



ROTARY-700



ROTARY-600



R3 EXECUTIVE SEATING

AUSTIN

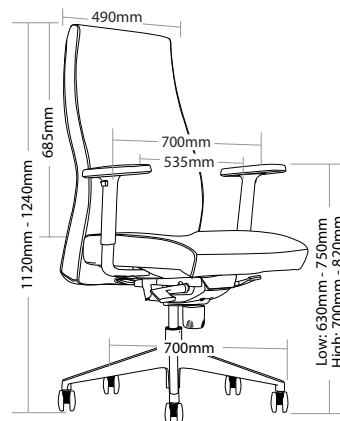


FEATURES

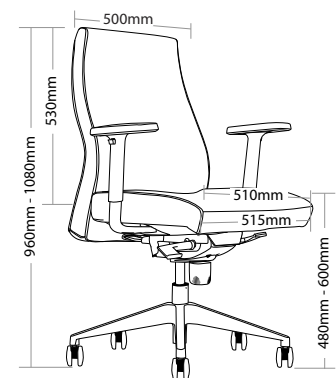
- » Adjustable seat height
- » Adjustable seat and back angle
- » Adjustable weight tension
- » Adjustable arms
- » Available in high and low back
- » Plastic under pan
- » Moulded seat and back foam
- » Synchron mechanism with 3 locking positions
- » 700mm heavy duty black nylon base
- » Available in local fabrics
- » Suitable for indoor use only
- » 5 year warranty
- » Weight limit is 130kg



AUSTIN-H



AUSTIN-L



ACURA



ACURA-H/ACURA-L FEATURES

- » Adjustable seat height
- » Adjustable seat and back angle
- » Adjustable weight tension
- » Available in high and low back
- » Fixed aluminium arms
- » High density foam
- » Knee tilt mechanism with 3 locking positions
- » 700mm aluminium base
- » Available in local fabrics
- » Optional frame or base colour (please allow 5 more days)
- » Suitable for indoor use only
- » 5 year warranty
- » Weight limit is 120kg

ACURA-VC FEATURES

- » Chrome frame
- » High density foam
- » Available in local fabrics
- » Optional frame or base colour (please allow 5 more days)
- » Suitable for indoor use only
- » 5 year warranty
- » Weight limit is 120kg



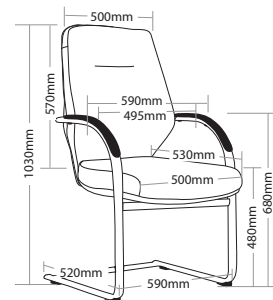
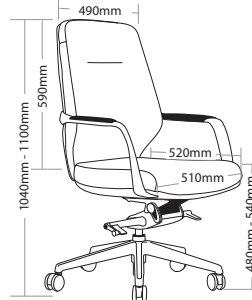
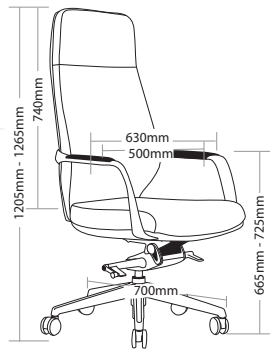
ACURA-H



ACURA-L



ACURA-VC



FOCUS



FEATURES

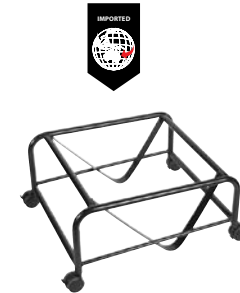
- » Optional arms
- » Optional left / right hand tablet arm
- » Optional black metal trolley, easy to move when stacked
- » Available in beam seating
- » Multi purpose stackable client chair
 - » Maximum 10 chairs on trolley
 - » Maximum 5 chairs on floor
 - » Maximum 3 chairs with arms
 - » Not stackable with tablet arms
- » Linkable except with tablet arms or arms
- » Fully strengthened plastic back shell
- » Fully welded frame
- » Sled chrome base
- » Available in all local fabrics
- » Optional frame or base colour (please allow 5 more days)
- » BIFMA drop tested
- » Suitable for indoor use only
- » 4 year warranty
- » Weight limit is 120kg



FOC-1U



FOC-1UA



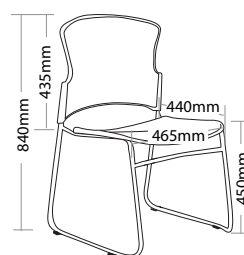
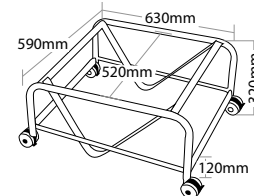
FOC-TRL



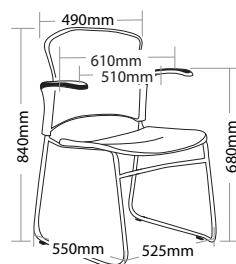
FOC-1UTL



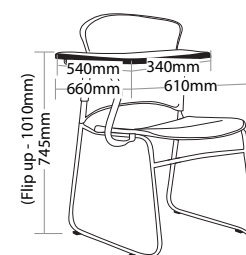
FOC-1UTR



FOC-1U



FOC-1UA



FOC-1UTR

POD



POD-B-NL



POD-RU-NL



POD-W-BL

FEATURES

- » Adjustable seat height with black base and black base with castors
- » Optional upholstered
- » Optional aluminium legs with timber or black finish
- » Optional black base
- » Optional black base with castor
- » Not stackable
- » Available in local fabrics
- » Available in black, red and white plastic shell
- » Optional frame or base colour (please allow 5 more days)
- » Suitable for indoor use only
- » 4 year warranty
- » Weight limit is 120kg



POD-BU-BL



POD-R-BB



POD-WU-BB

PLASTIC COLOUR



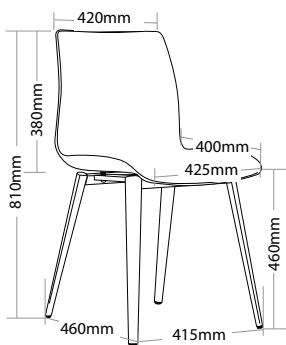
B-Black R-Red W-White



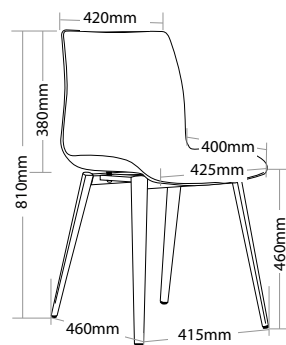
POD-B-BBC



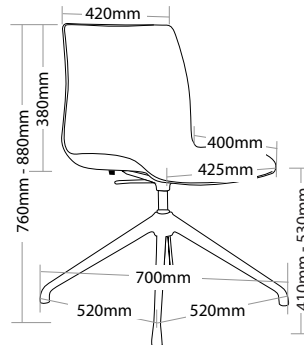
POD-RU-BBC



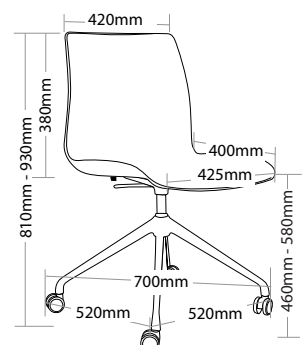
POD-NL



POD-BL



POD-BB



POD-BBC

POD 4 LEG



FEATURES

- » Optional arms
- » Optional tablet arm
- » Optional stool
- » Optional black metal trolley, easy to move when stacked
- » Optional 4 legs or sled base chrome frame
- » Available in beam seating
- » Stackable
 - » Maximum 10 chairs on trolley
 - » Maximum 5 chairs on floor
 - » Maximum 3 chairs with stools or arms
 - » Maximum 3 chairs with tablet arms
- » Plastic under pan
- » Available in local fabrics
- » Available in black, red and white plastic shell
- » Optional frame or base colour (please allow 5 more days)
- » Suitable for indoor use only
- » 4 Year warranty
- » Weight limit is 120kg

PLASTIC COLOUR



B-Black R-Red W-White



POD-4BU



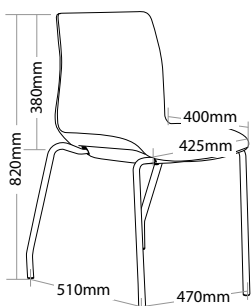
POD-4RUA



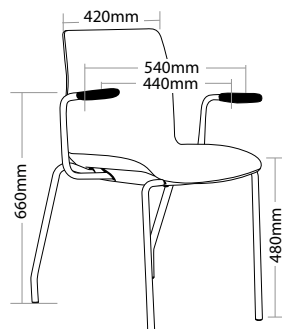
POD-4WUT



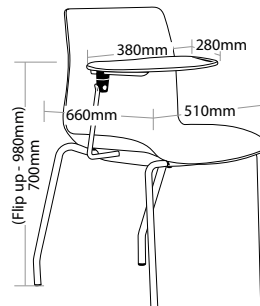
POD-STBU



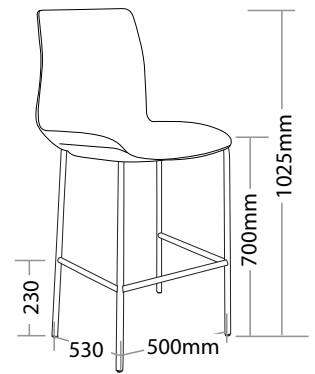
POD-4



POD-4A



POD-4T



POD-ST

R4 HOSPITALITY SEATING



M1



M1-B



M1-C

MAXI 4 LEGS



FEATURES

- » Available with or without arms
- » Available in beam seating
- » Optional black or chrome finish
- » Optional upholstered or mesh back
- » Plastic under pan
- » Plastic outer back (upholstered back only)
- » 4 legs frame
- » Available in local fabrics
- » Back mesh available in Jazz mesh
- » Optional frame or base colour (please allow 5 more days)
- » AFRDI approved to level 6
- » Suitable for indoor use only
- » 5 year warranty
- » Weight limit is 120kg



MM1



MM1-B



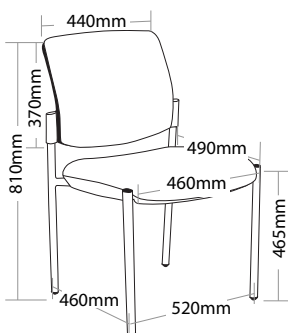
MM1-C



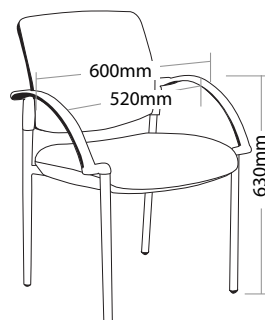
M1-BC



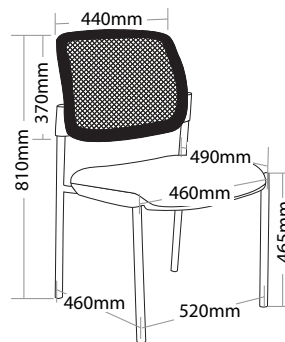
MM1-BC



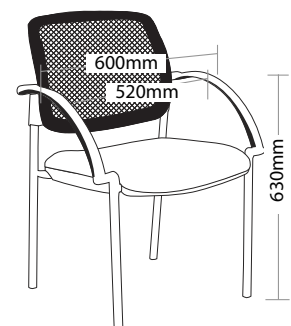
M1



M1-B



MM1



MM1-B

R5 BEAM SEATING

FOCUS

WARRANTY
4
 Year

WEIGHT LIMIT
200
 Kilogram

WEIGHT LIMIT
300
 Kilogram

UPHOLSTERED IN AUSTRALIA

FEATURES

- » Optional 2 or 3 seater
- » Fully welded black metal frame
- » Twin seat support bars
- » Adjustable feet
- » Available in local fabrics
- » Suitable for indoor use
- » 4 year warranty
- » Weight limit for 2 seater is 200kg
- » Weight limit for 3 seater is 300kg

WEIGHT LIMIT
200
Kilogram

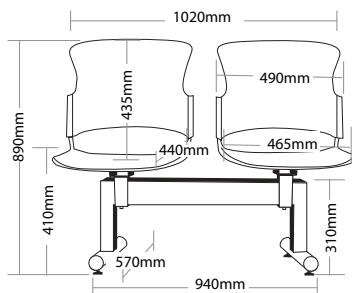


F-BEAM 2U

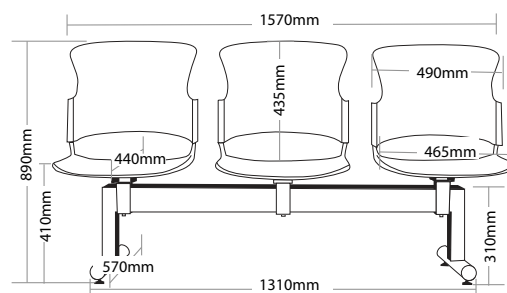
WEIGHT LIMIT
300
Kilogram



F-BEAM 3U



F-BEAM 2



F-BEAM 3

VINN



FEATURES

- » Optional 2, 3 or 4 seater
- » Optional plastic or mesh back
- » Heavy duty black metal beam frame
- » Black plastic
- » Adjustable feet
- » Available in local fabrics
- » Back mesh available in Jazz fabric
- » Suitable for indoor use
- » 4 year warranty
- » Weight limit for 2 seater is 180kg
- » Weight limit for 3 seater is 250kg
- » Weight limit for 4 seater is 300kg



V-BEAM 2



V-BEAM 2M

WEIGHT LIMIT
180
Kilogram



V-BEAM 3



V-BEAM 3M

WEIGHT LIMIT
250
Kilogram

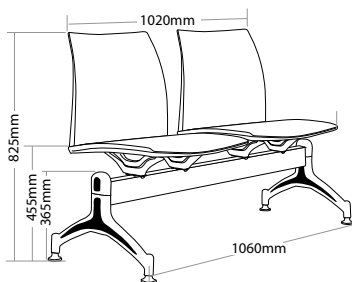


V-BEAM 4

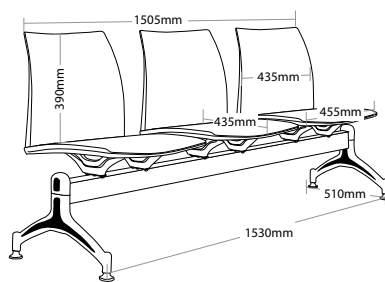


V-BEAM 4M

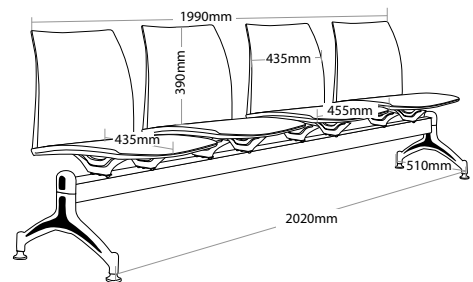
WEIGHT LIMIT
300
Kilogram



V-BEAM 2



V-BEAM 3



V-BEAM 4

R5 BEAM SEATING



POD

WARRANTY 4 Year	WEIGHT LIMIT 200 Kilogram	WEIGHT LIMIT 300 Kilogram	WEIGHT LIMIT 350 Kilogram	UPHOLSTERED IN AUSTRALIA
-------------------------------------	---	---	---	---------------------------------

FEATURES

- » Optional 2, 3 or 4 seater
- » Heavy duty black metal beam frame
- » Adjustable feet
- » Available in local fabrics
- » Available in black, red and white plastic only
- » Suitable for indoor use
- » 4 Year warranty
- » Weight limit for 2 seater is 200kg
- » Weight limit for 3 seater is 300kg
- » Weight limit for 4 seater is 350kg

PLASTIC COLOUR

 B-Black	 R-Red	 W-White
---	---	---

WEIGHT LIMIT
200
Kilogram



P-BEAM 2BU

WEIGHT LIMIT
300
Kilogram

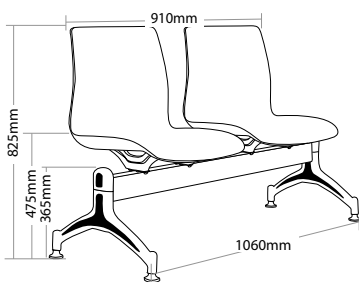


P-BEAM 3RU

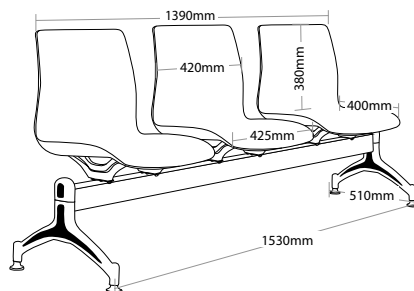
WEIGHT LIMIT
350
Kilogram



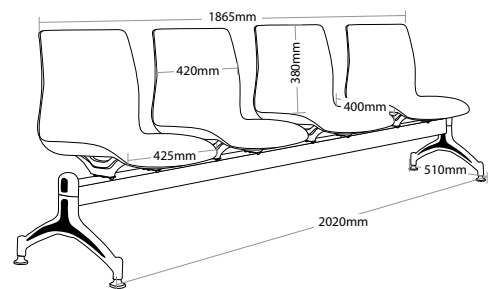
P-BEAM 4WU



P-BEAM 2



P-BEAM 3



P-BEAM 4

VERO



FEATURES

- » Optional black or timber finish
- » Plywood inner structure
- » High density foam
- » Steel frame
- » Available in local fabrics
- » Optional frame or base colour (please allow 5 more days)
- » Suitable for indoor use only
- » 5 year warranty
- » Weight limit is 130kg



VERO-STB



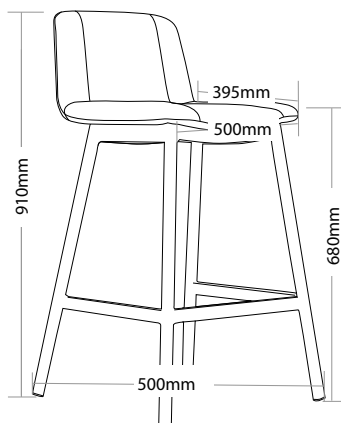
VERO-STT



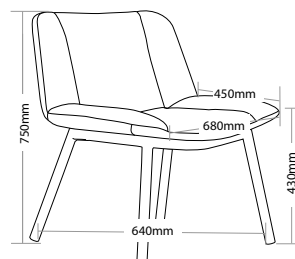
VERO-CHB



VERO-CHT



VERO-ST



VERO-CH

R6 BREAKOUT SEATING



GOLD



FEATURES

- » Adjustable seat height with 4 star base, black base and black base with castors
- » Optional chrome sled base
- » Optional chrome 4 leg frame
- » Optional 700mm aluminium 4 star base
- » Optional timber legs with natural finish
- » Optional timber legs with black finish
- » Optional black base with or without castors
- » High density foam
- » Plywood shell
- » Available in local fabrics
- » Optional frame or base colour (please allow 5 more days)
- » Suitable for indoor use only
- » 5 year warranty
- » Weight limit is 130kg



GOLD-4L



GOLD-SB



GOLD-AB



GOLD-NL



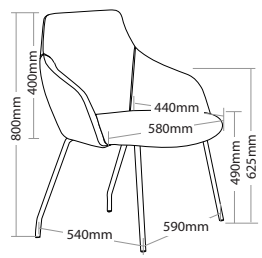
GOLD-BL



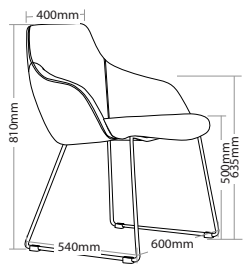
GOLD-BB



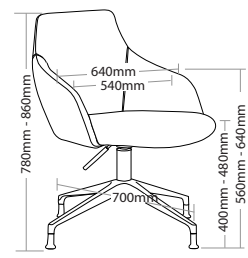
GOLD-BBC



GOLD-4L



GOLD-SB



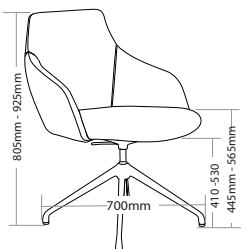
GOLD-AB



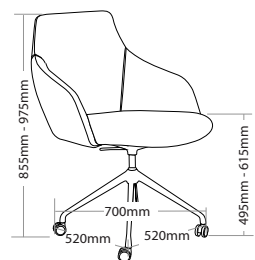
GOLD-BL



GOLD-NL



GOLD-BB



GOLD-BBC

R6 BREAKOUT SEATING

JUNE



FEATURES

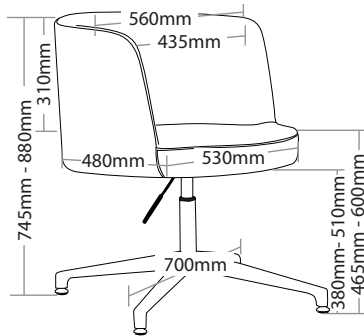
- » Adjustable seat height
- » High density foam
- » 700mm aluminium 4 star base
- » Plywood shell
- » Available in local fabrics
- » Optional frame or base colour (please allow 5 more days)
- » Suitable for indoor use
- » 5 Year warranty
- » Weight limit is 120kg



JUNE



SIDE VIEW



OPERA



FEATURES

- » Optional timber legs
- » Optional 700mm high arch aluminium 4 star base
- » Optional chrome 4 leg frame
- » Loose back and seat cushions
- » Moulded foam on steel frame
- » Available in local fabrics
- » Optional frame or base colour (please allow 5 more days)
- » Suitable for indoor use only
- » 5 year warranty
- » Weight limit is 120kg



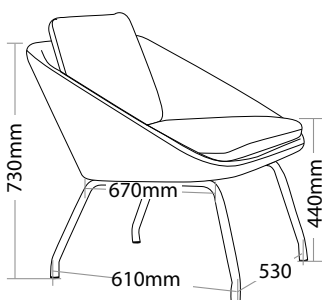
OPERA-4L



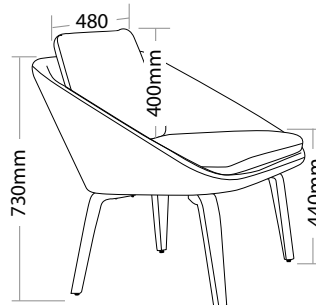
OPERA-TL



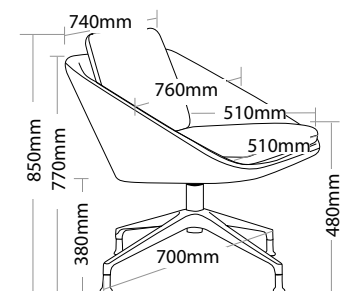
OPERA-AB



OPERA-4L



OPERA-TL



OPERA-AB

TIME



FEATURES

- » Adjustable seat height with black base and black base with castors
- » Optional solid rod base sled chrome frame
- » Optional timber legs with natural finish
- » Optional timber legs with black finish
- » Optional black base with or without castors
- » High density foam
- » Moulded back foam
- » Plywood shell
- » Available in local fabrics
- » Optional frame or base colour (please allow 5 more days)
- » Suitable for indoor use only
- » 5 year warranty
- » Weight limit is 120kg



TIME



TIME-NL



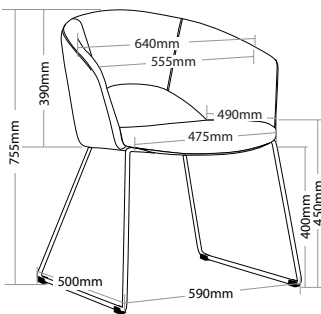
TIME-BL



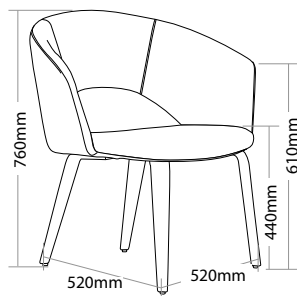
TIME-BB



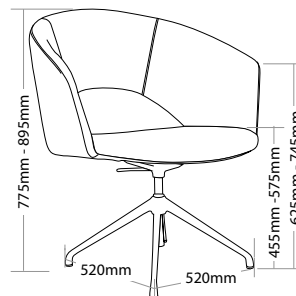
TIME-BBC



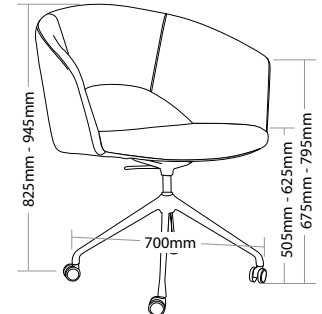
TIME



TIME-BL/NL



TIME-BB



TIME-BBC

LEAF



FEATURES

LEAF-L/LEAF-H FEATURES

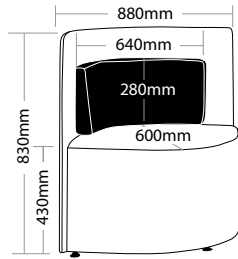
- » Available in high and low back
- » High density foam
- » Loose back cushion
- » Metal frame
- » Adjustable feet
- » Available in local fabrics
- » Suitable for indoor use only
- » 3 year warranty
- » Weight limit is 120kg

TABLE FEATURES

- » MDF white top
- » Chrome frame
- » 3 year warranty



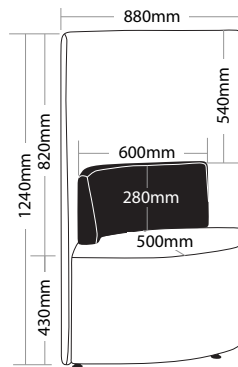
LEAF-L



LEAF-L



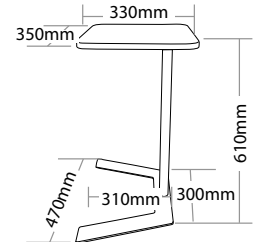
LEAF-H



LEAF-H



LEAF-T



LEAF-T

PLAY



FEATURES

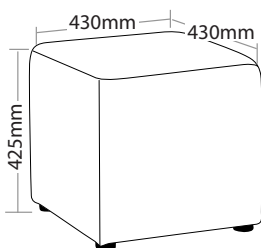
- » Available in 2 options only
- » High density foam
- » Solid timber frame
- » Plastic legs
- » Available in local fabrics
- » Suitable for indoor use only
- » 3 year warranty
- » Weight limit is 120kg



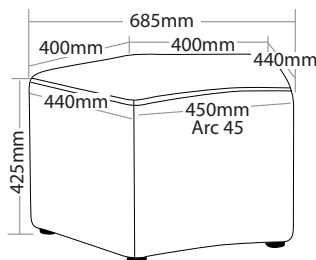
PLAY-1



PLAY-2



PLAY-1



PLAY-2



GROUP

R7 OTTOMANS

OLA

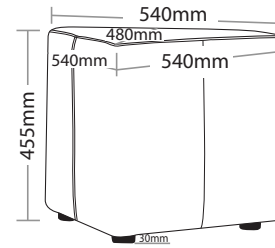


FEATURES

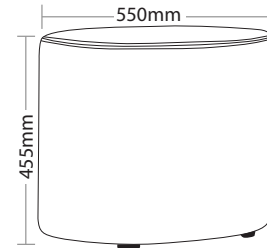
- » Available in triangle, round and square shape
- » High density foam
- » Solid timber frame
- » Plastic legs
- » Available in local fabrics
- » Suitable for indoor use only
- » 3 year warranty
- » Weight limit is 120kg



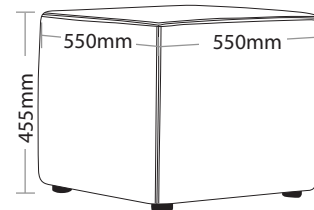
OLA-T



OLA-R



OLA-S



CLIP

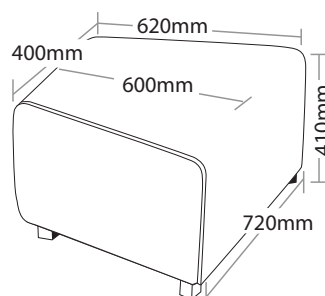


FEATURES

- » Zig zag steel spring
- » Solid hardwood frame
- » Webbed base
- » Chrome legs
- » Available in local fabrics
- » Optional frame or base colour (please allow 5 more days)
- » Suitable for indoor use only
- » 3 year warranty
- » Weight limit is 130kg



CLIP



GROUP

IMPRESS



FEATURES

IMPRESS FEATURES

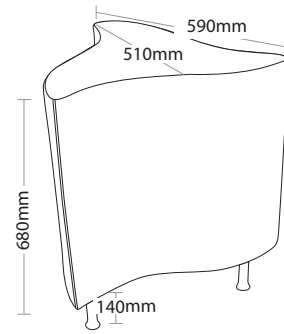
- » Available in 2 options only
- » Moulded polyurethane foam
- » Solid hardwood frame
- » Zinc legs
- » Available in local fabrics
- » Optional frame or base colour (please allow 5 more days)
- » Suitable for indoor use only
- » 3 year warranty
- » Weight limit is 130kg

IMPRESS TABLE FEATURES

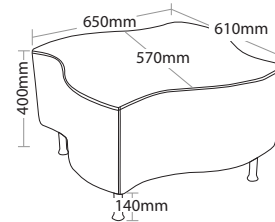
- » 8mm Tempered glass top
- » Chrome legs
- » Optional frame or base colour (please allow 5 more days)
- » Suitable for indoor use only
- » 3 year warranty



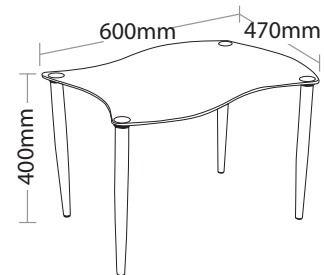
IMPRESS-1



IMPRESS-2



IMPRESS-T



RADIUS

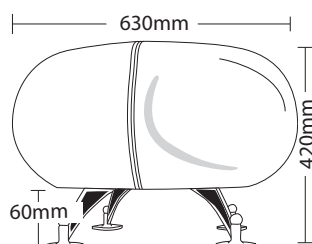


FEATURES

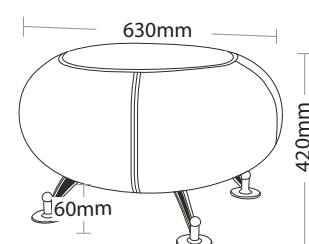
- » Available in 2 options only
- » Moulded polyurethane foam
- » Zinc legs
- » Available in local fabrics
- » Optional frame or base colour (please allow 5 more days)
- » Suitable for indoor use only
- » 3 year warranty
- » Weight limit is 130kg



RADIUS-1



RADIUS-2



**GAMMA, LIFT,
VEGAS AND FLOW**



GAMMA



VEGAS

FEATURES

GAMMA/VEGAS FEATURES

- » Solid rod chrome frame
- » Available in local fabrics
- » Optional frame or base colour (please allow 5 more days)
- » Suitable for indoor use only
- » 4 year warranty
- » Weight limit is 120kg

LIFT/ FLOW FEATURES

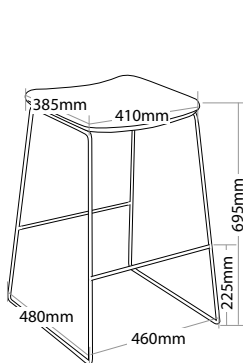
- » Adjustable seat height
- » Solid steel stain base
- » Foot rest
- » Available in local fabrics
- » Suitable for indoor use only
- » 4 year warranty
- » Weight limit is 120kg



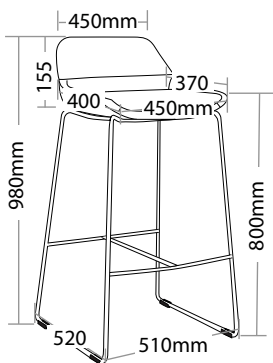
LIFT



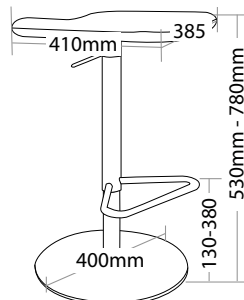
FLOW



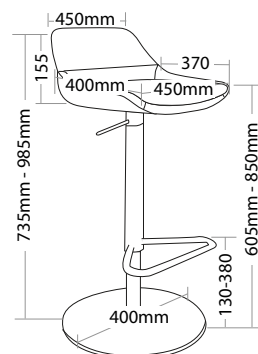
GAMMA



VEGAS



LIFT



FLOW

BLITZ

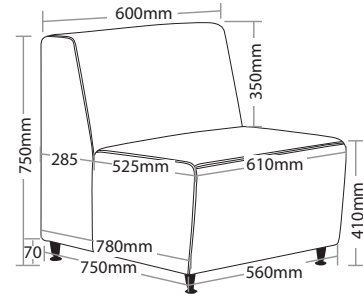


FEATURES

- » High density foam
- » Zig zag steel spring
- » Plywood frame
- » Chrome feet
- » Available in local fabrics
- » Optional frame or base colour (please allow 5 more days)
- » Suitable for indoor use only
- » 5 year warranty
- » Weight limit is 120kg



BLITZ-U



TWIST



FEATURES

- » Available in 3 options only
- » High density foam
- » Plywood frame
- » Webbed base
- » Chrome feet
- » Available in local fabrics
- » Optional frame or base colour (please allow 5 more days)
- » Suitable for indoor use only
- » 3 year warranty
- » Weight limit is 120kg



TWIST-SI



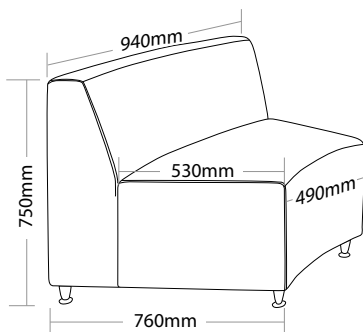
TWIST-SO



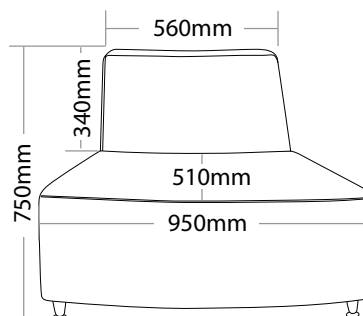
GROUP



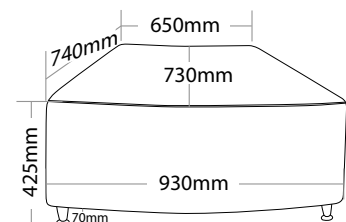
TWIST-OT



TWIST-SI



TWIST-SO



TWIST-OT

R9 SOFT SEATING



WEIGHT LIMIT
130
Kilogram



ROXA-1

WEIGHT LIMIT
260
Kilogram



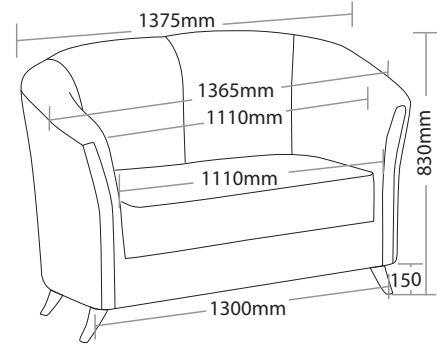
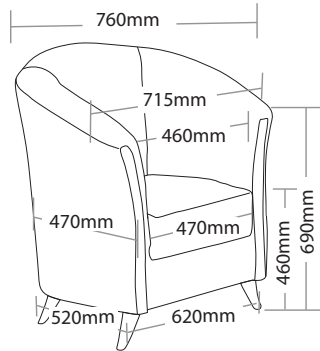
ROXA-2

ROXA



FEATURES

- » Optional 1 or 2 seater
- » High density foam
- » Solid hardwood frame
- » Zinc legs
- » Available in local fabrics
- » Suitable for indoor use
- » 5 year warranty
- » Weight limit for 1 seater is 130kg
- » Weight limit for 2 seater is 260kg



MONTAGE



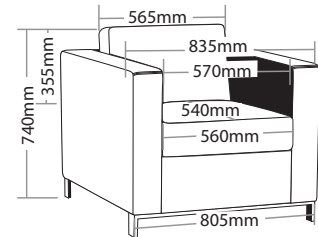
FEATURES

- » Optional 1, 2 or 3 seater
- » Pocket spring seat
- » Loose cushions upholstered both sides
- » Zig zag steel spring
- » Webbed base
- » Solid hardwood frame
- » Stainless steel feet
- » Available in all local fabrics
- » Optional frame or base colour (please allow 5 more days)
- » Suitable for indoor use
- » 5 year warranty
- » Weight limit for 1 seater is 130kg
- » Weight limit for 2 seater is 260kg
- » Weight limit for 3 seater is 390kg

WEIGHT LIMIT
130
Kilogram



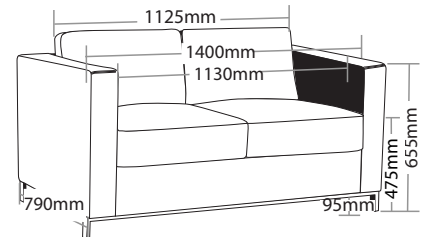
MO-1S



WEIGHT LIMIT
260
Kilogram



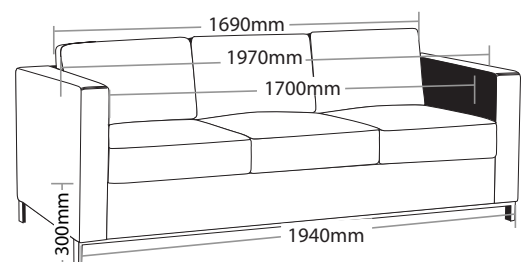
MO-2S



WEIGHT LIMIT
390
Kilogram



MO-3S



SHELL



FEATURES

- » Australian made
- » Available in 1 or 2 seater (custom size available, please contact office)
- » High density foam
- » Loose cushions upholstered both sides
- » Timber frame
- » Aluminium legs
- » Available in local fabrics (two tone available, please contact office)
- » Optional frame or base colour (please allow 5 more days)
- » Suitable for indoor use
- » 5 year warranty
- » Weight limit for 1 seater is 130kg
- » Weight limit for 2 seater is 260kg



SHELL-1S



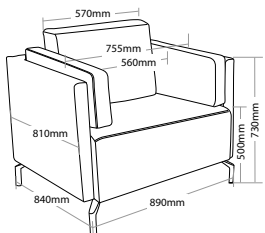
SHELL-2S



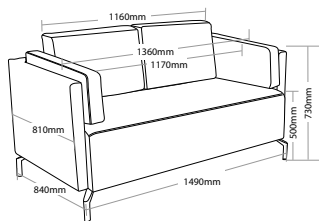
SHELL-1SH



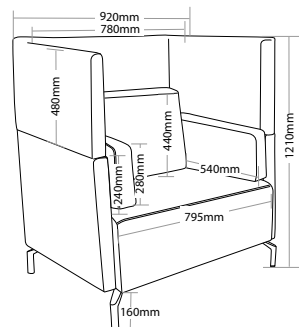
SHELL-2SH



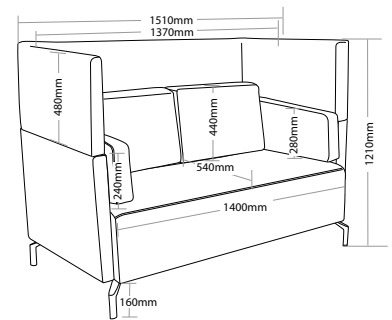
SHELL-1S



SHELL-2S



SHELL-1SH



SHELL-2SH

ACOUSTIC SCREENS

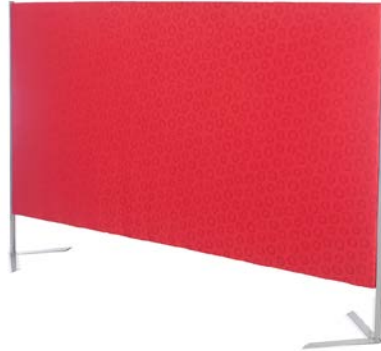


FEATURES

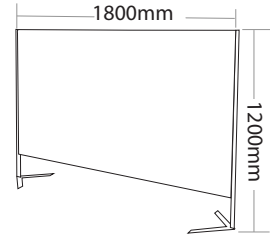
- » Solid timber frame
- » Frames wrapped with a 10mm layer of foam
- » Frames wrapped with a layer of cardboard
- » 19mm metal side frame
- » Australian made
- » Optional frame or base colour (please allow 5 more days)
- » Suitable for indoor use
- » 2 year warranty

OPTIONS

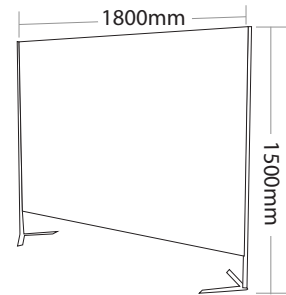
CODE	MTR	SCREEN SIZE (HXW)	COVERD IN TRILOGY FABRIC
FAS-1212	3.0	1200x1200mm	\$254.00
FAS-1215	3.0	1200x1500mm	\$273.00
FAS-1218	3.0	1200x1800mm	\$286.00
FAS-1512	3.0	1500x1200mm	\$254.00
FAS-1515	3.0	1500x1500mm	\$266.00
FAS-1518	3.0	1500x1800mm	\$292.00
FAS-1812	4.0	1800x1200mm	\$317.00
FAS-1815	4.0	1800x1500mm	\$337.00
FAS-1818	4.0	1800x1800mm	\$349.00



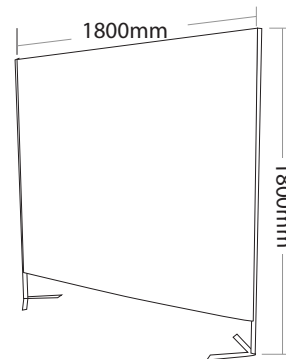
FAS-1218



FAS-1518



FAS-1818



STATE



FEATURES

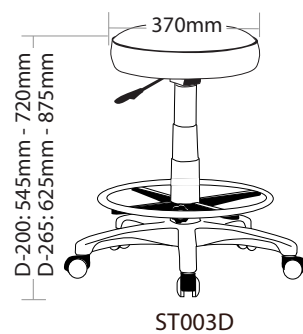
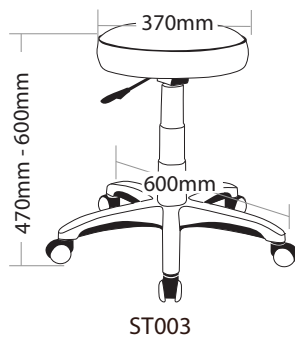
- » Adjustable seat height
- » Optional drafting kit
- » Optional glides or brake castors
- » 600mm black nylon base
- » Available in local fabrics
- » Suitable for indoor use
- » 5 year warranty
- » Weight limit is 120kg



ST003



ST003D





SHOWROOM OPEN: Monday - Friday 8.00am to 5.00pm
16 Bradwardine Road, Bathurst NSW 2795

Freecall 1800 065 068
Email: reception@quicksew.com.au
www.quicksew.com.au