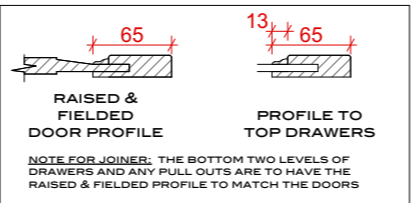
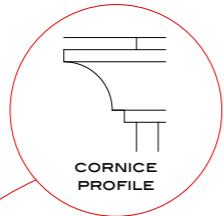
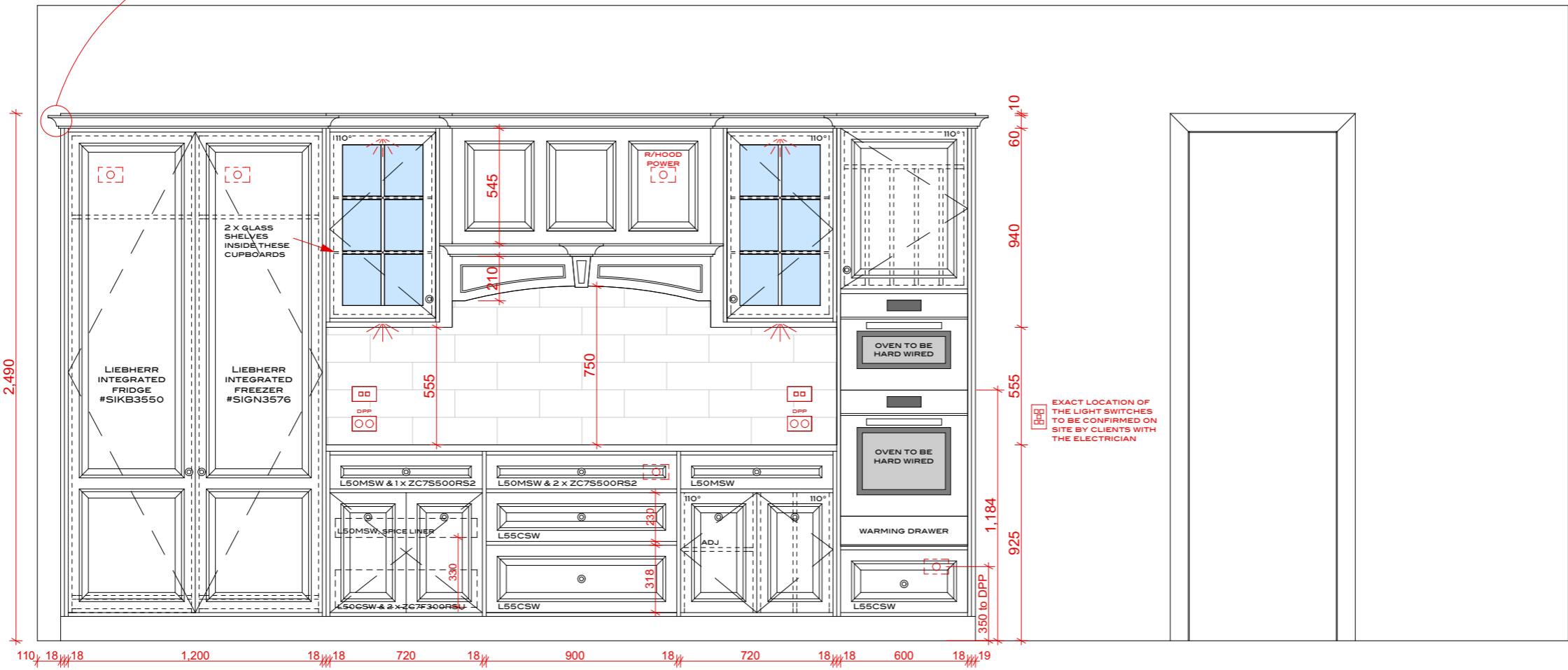


FLOOR PLAN
SCALE: 1:25

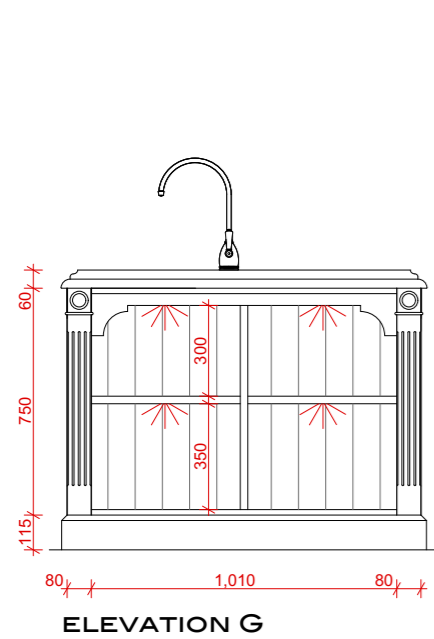


NOTE FOR JOINER: THE BOTTOM TWO LEVELS OF DRAWERS AND ANY PULL OUTS ARE TO HAVE THE RAISED & FIELDED PROFILE TO MATCH THE DOORS

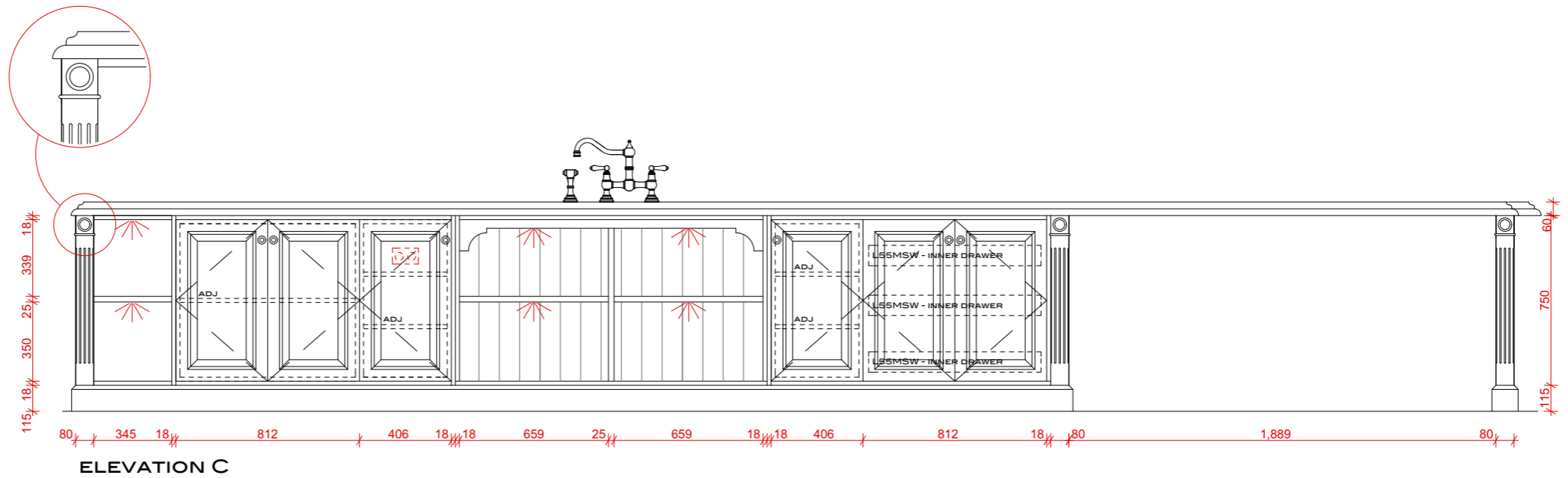


ELEVATION A

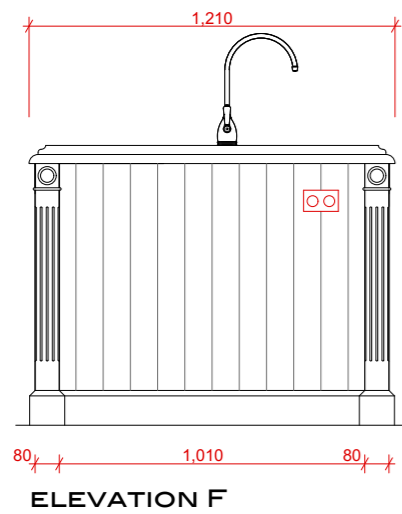
ELEVATION A
SCALE: 1:25



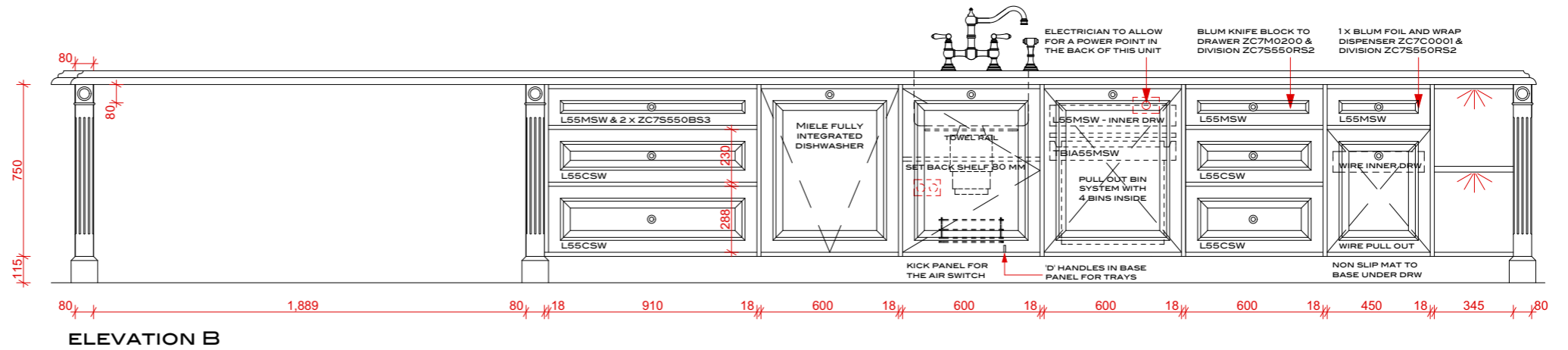
ELEVATION G



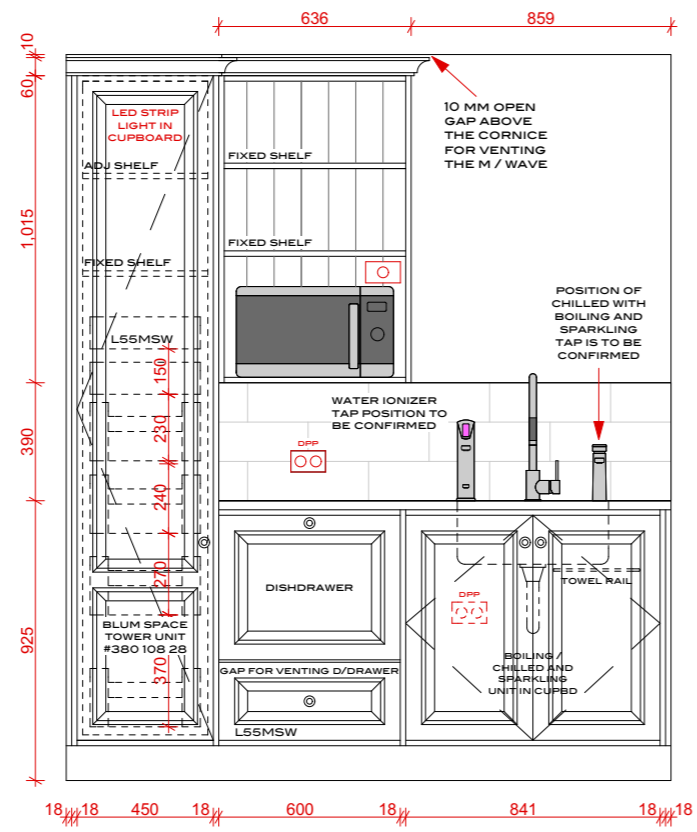
ELEVATION C



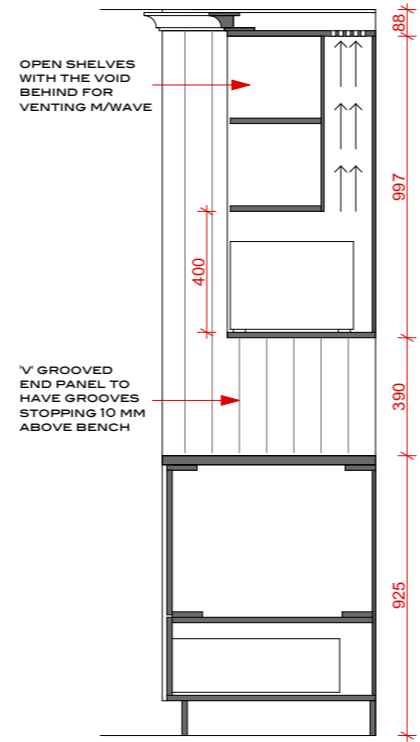
ELEVATION F



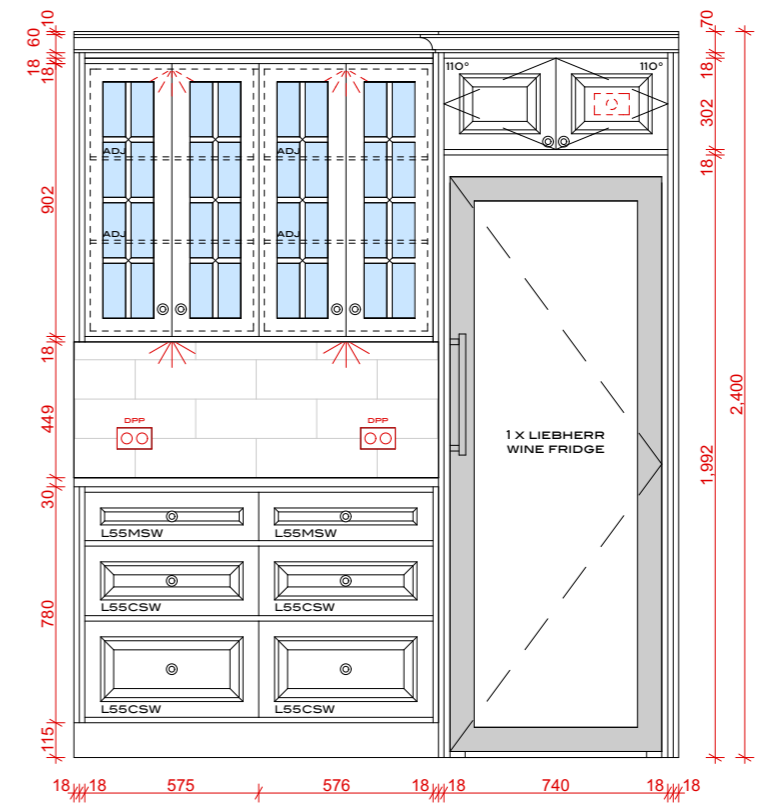
ELEVATION B



ELEVATION D



CROSS SECTION OF MICROWAVE SHELF JOINERY



ELEVATION E