



# RELN Storm Drain™

RELN Storm Drain is the complete surface drainage solution, with a range of different accessories and grate options. Perfect for paths, driveways, and domestic areas with corners, Tee sections and X sections. With its deep 100mm profile, Storm Drain effectively collects and distributes large volumes of surface water throughout its system. The interchangeable clip in grates, hold-down feet and pipe cut-outs make it easy to install, whether you are a DIYer or a professional.

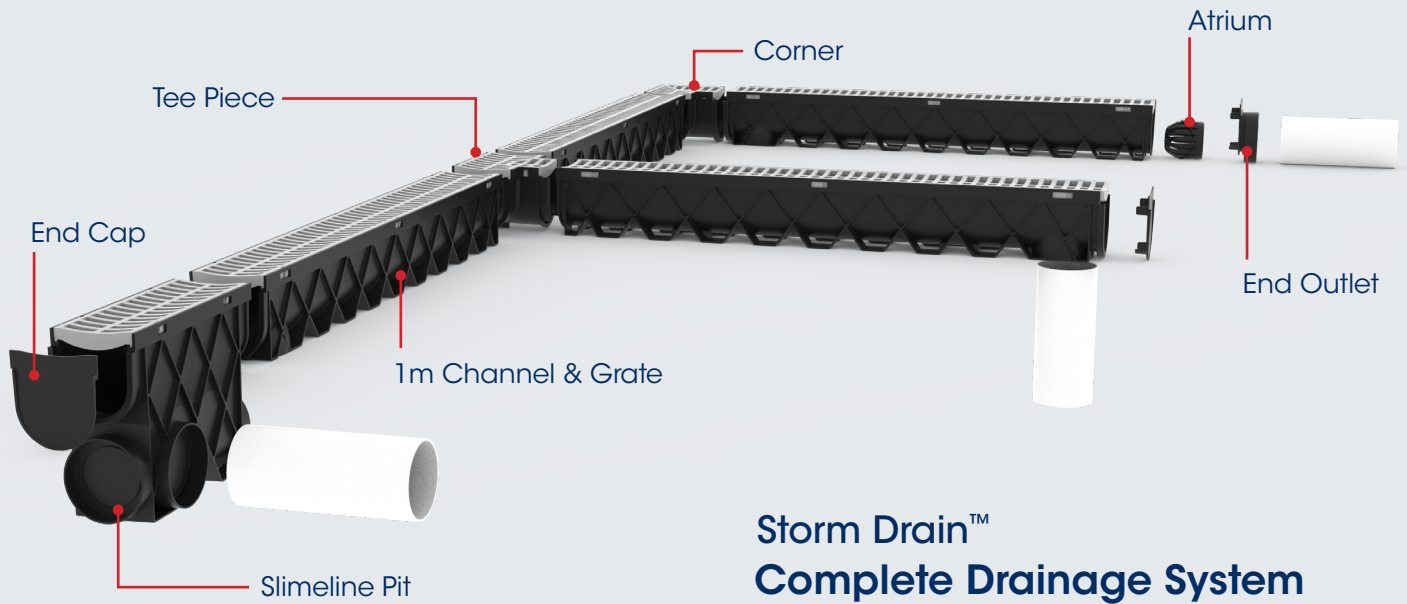
- Ideal for paths, driveways and domestic areas with corners & Tee sections
- Made in Australia from tough, durable and light-weight, UV-stabilised recycled plastic
- Hold down feet to stop floatation during pouring of concrete
- Available in 1m & 3m lengths, plus a whole range of accessories
- All grates comply to Australian Standards
- Bottom outlet, End Outlet and Slimline pit can be glued to 90mm PVC stormwater pipe
- Atrium prevents blocking outlets and pipes for use on channel and Slimline Pit
- 90° corner and Tee piece for left or right extensions
- Easy clip-together joining for all Storm Drain range accessories



SPECIFICATIONS	CAPACITY	COMPONENTS
	<p>Small</p>	<p>Slimline Pit   4-Way Connector   Tee Piece   Corner   End Cap   End Outlet   Joiner   Atrium</p>

**F** Foundation   **L** Landscape   **Y** Yard



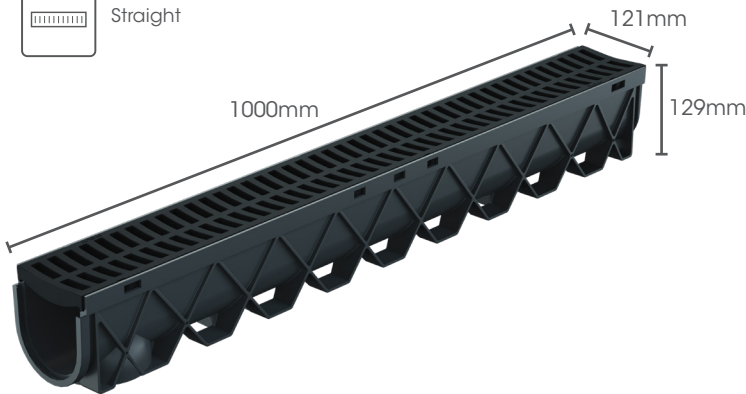


## Storm Drain™ Complete Drainage System

### PRODUCT OVERVIEW



CONFIGURATION  
Straight



#### RELN Storm Drain™

SIZE (L x W x D)  
External: 1000 x 121 x 129mm  
Internal: 1000 x 100 x 100mm

#### PRODUCT CODES

- 003101 - Complete with Black Plastic Grate
- 003109 - Complete with Black Heel Guard Plastic Grate
- 003017 - Complete with Galvanised Steel Grate
- 003106 - Complete with Stainless Steel Grate
- 003271 - Complete with 316 Architectural Grate
- 003108 - Complete with Ductile Iron Class C Grate
- 003102 - Complete with Portland Grey Plastic Grate
- 003103 - Complete with Sandstone Plastic Grate
- 003104 - Complete with Terracotta Plastic Grate
- 003105 - Complete with Heratige Green Plastic Grate



#### RELN Storm Drain™ Slimline Pit

SIZE (L x W x D)  
External - 335 x 121 x 261mm  
Internal - 335 x 100 x 248mm

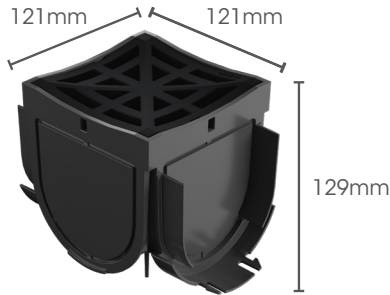
#### PRODUCT CODES

- 003430 - Complete with Black Plastic Grate
- 003439 - Complete with Black Heel Guard Plastic Grate
- 003441 - Complete with Galvanised Steel Grate
- 003435 - Complete with Stainless Steel Grate
- 003281 - Complete with 316 Architectural Grate
- 002465 - Complete with Ductile Iron Class C Grate
- 003431 - Complete with Portland Grey Plastic Grate
- 003433 - Complete with Sandstone Plastic Grate
- 003432 - Complete with Terracotta Plastic Grate
- 003434 - Complete with Heratige Green Plastic Grate

PRODUCT OVERVIEW



CONFIGURATION  
4-Way



RELN Storm Drain™ 4-Way Connector

SIZE (L x W x D)

External: 121 x 121 x 129mm

Internal: 121 x 100 x 100mm

PRODUCT CODES

003120 - Complete with Black Plastic Grate

003124 - Complete with Galvanised Steel Grate

003128 - Complete with Stainless Steel Grate



CONFIGURATION  
Tee



RELN Storm Drain™ Tee Piece

SIZE (L x W x D)

External: 195 x 158 x 129mm

Internal: 100 x 158 x 100mm

PRODUCT CODES

003121 - Complete with Black Plastic Grate

003126 - Complete with Stainless Steel Grate

003122 - Complete with Portland Grey Plastic Grate

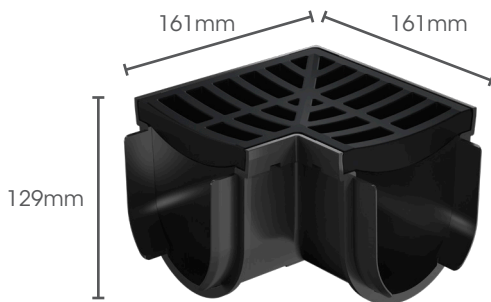
003123 - Complete with Sandstone Plastic Grate

003124 - Complete with Terracotta Plastic Grate

003125 - Complete with Heratige Green Plastic Grate



CONFIGURATION  
Corner



RELN Storm Drain™ Corner

SIZE (L x W x D)

External: 161 x 161 x 129mm

Internal: 161 x 100 x 100mm

PRODUCT CODES

003401 - Complete with Black Plastic Grate

003412 - Complete with Black Heel Guard Plastic Grate

003400 - Complete with Galvanised Steel Grate

003406 - Complete with Stainless Steel Grate

003291 - Complete with 316 Architectural Grate

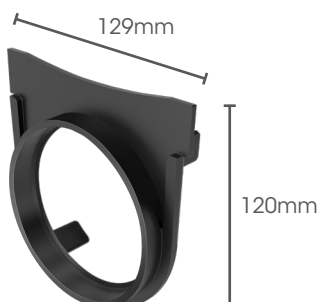
003411 - Complete with Ductile Iron Class C Grate

003402 - Complete with Portland Grey Plastic Grate

003403 - Complete with Sandstone Plastic Grate

003404 - Complete with Terracotta Plastic Grate

003405 - Complete with Heratige Green Plastic Grate



RELN Storm Drain™ End Outlet

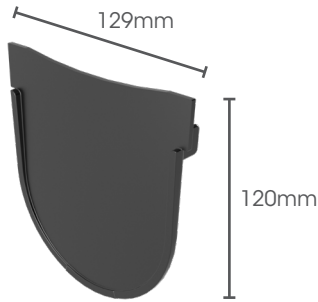
SIZE

129 x 120mm

PRODUCT CODE

003408 - Storm Drain™ End Outlet

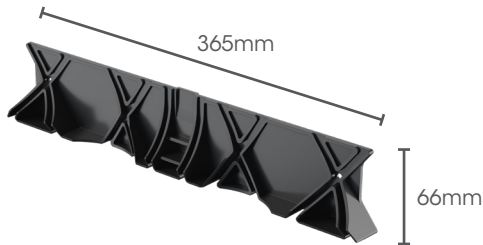
PRODUCT OVERVIEW



**RELN Storm Drain™ End Cap**

SIZE  
129 x 120mm

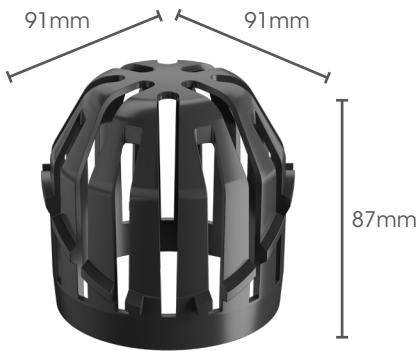
PRODUCT CODE  
003407 - Storm Drain™ End Cap



**RELN Storm Drain™ Joiner**

SIZE (L x W x D)  
365 x 28 x 66mm

PRODUCT CODE  
003005 - Storm Drain™ Joining Clip

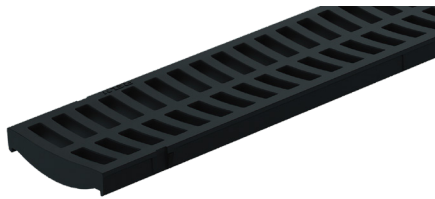


**RELN Storm Drain™ Atrium**

SIZE (L x W x D)  
External: 91 x 91 x 87mm

PRODUCT CODE  
003410 - Storm Drain™ Atrium

**CHANNEL GRATE ONLY OPTIONS**



**Black Plastic Grate**

PRODUCT CODE  
002079

LOAD RATING  
Class A

APPLICATIONS  
Paths, driveways, courtyards



**Black Heel Guard Plastic Grate**

PRODUCT CODE  
002071

LOAD RATING  
Class A

APPLICATIONS  
Foot & vehicle traffic



**Galvanised Steel Grate**

PRODUCT CODES  
002089

LOAD RATING  
Class A

APPLICATIONS  
Paths, driveways, side paths



**Stainless Steel Grate**

PRODUCT CODE  
002090

LOAD RATING  
Class A

APPLICATIONS  
Paths, driveways, side paths, pools



**316 Architectural Grate**

PRODUCT CODE  
003227

LOAD RATING  
Class A

APPLICATIONS  
Paths, driveways, side paths, pools

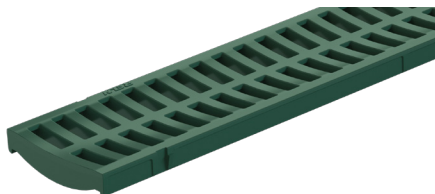


**Ductile Iron Class C Grate**

PRODUCT CODE  
002091

LOAD RATING  
Class C

APPLICATIONS  
Driveways & commercial areas



**Heratige Green Plastic Grate**

PRODUCT CODE  
002086

LOAD RATING  
Class A

APPLICATIONS  
Paths, driveways, side paths & gardens



**Terracotta Plastic Grate**

PRODUCT CODE  
002093

LOAD RATING  
Class A

APPLICATIONS  
Paths, driveways, side paths & gardens

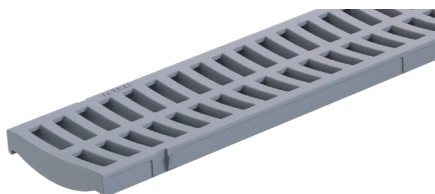


**Sandstone Plastic Grate**

PRODUCT CODE  
002095

LOAD RATING  
Class A

APPLICATIONS  
Paths, driveways, side paths & gardens



**Portland Grey Plastic Grate**

PRODUCT CODE  
001203

LOAD RATING  
Class A

APPLICATIONS  
Paths, driveways, side paths & gardens