



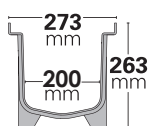
# RELN Storm Master®

RELN Storm Master is the commercial drainage solution with a deep 200mm profile. Storm Master effectively collects and distributes substantial volumes of surface water throughout its system. Perfect for heavy-use commercial applications, where heavy surface water flows or heavy vehicle and pedestrian traffic is a factor. The range is strong, durable and can withstand 10 tonne of vehicle weight when installed correctly, being the master when it comes to commercial surface drainage.

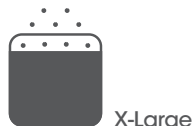
- **Durability** – Channel made in Australia from tough, durable, and lightweight UV stabilised recycled plastic. Class B Grate made from Galvanised Steel.
- **Easy to install** – Storm Master is a breeze to install with its easy connecting channels, interchangeable grates and hold down feet to stop floatation during the pouring of concrete.
- **Perfect for Commercial Surface Drainage** – With a range of accessories and grate options, Storm Master is the perfect large capacity drainage for commercial applications.
- **Class C Load Rating** – Perfect for commercial applications with slow moving vehicles
- **AS4586 Slip Resistance Classification P5** – Anti-Slip Heel Guard grate complies with the AS4586 Slip Resistance Classification P5
- **Large 200mm profile** – A large profile, ideal for clearing high flows of surface water.
- **Plumber-friendly** – Bottom outlet can be cut or drilled to fit 90mm PVC stormwater pipe
- **Environmentally friendly** – Made from 100% UV stabilised recycled plastic



## SPECIFICATIONS

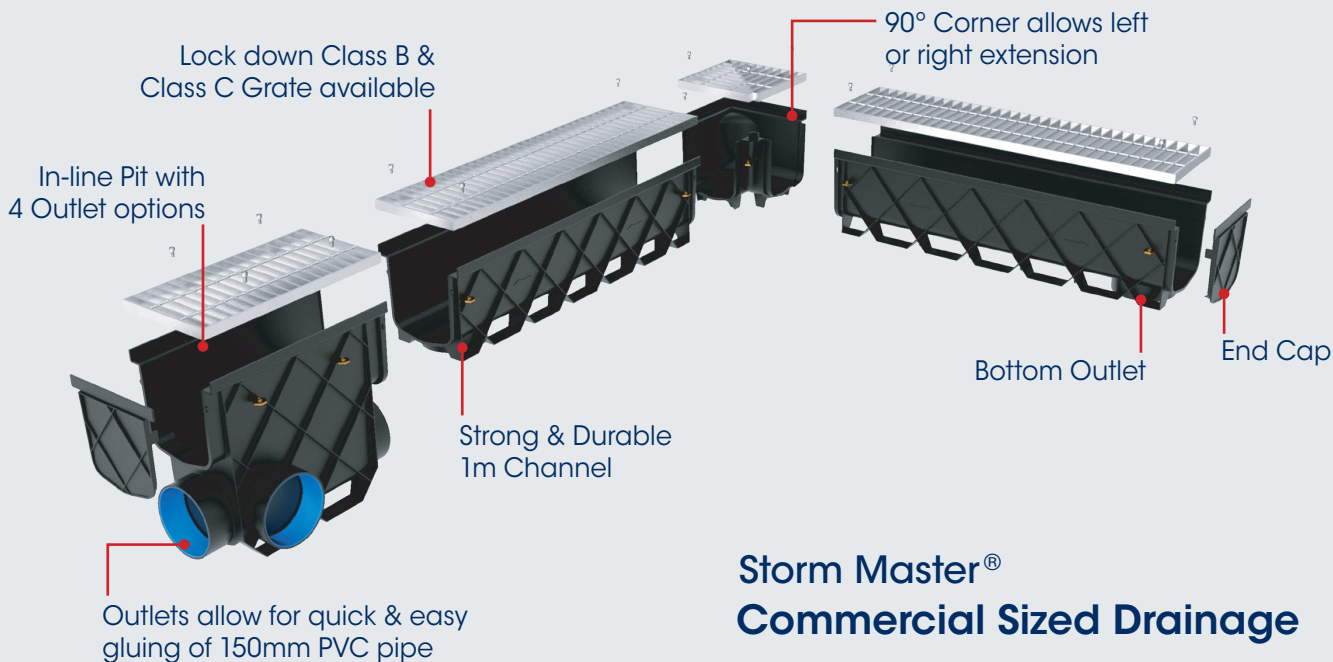


## CAPACITY



## COMPONENTS



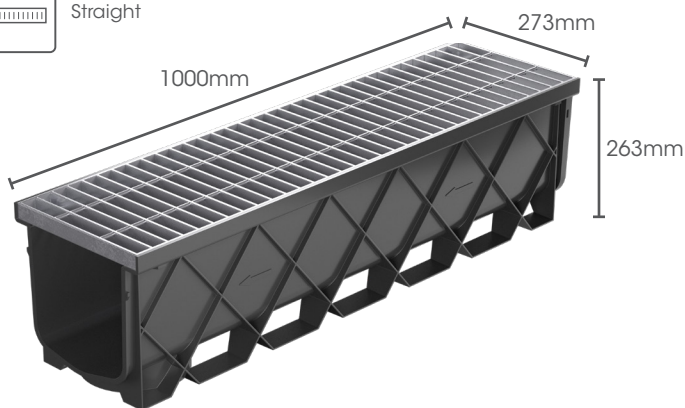


## Storm Master® Commercial Sized Drainage

### PRODUCT OVERVIEW



CONFIGURATION  
Straight

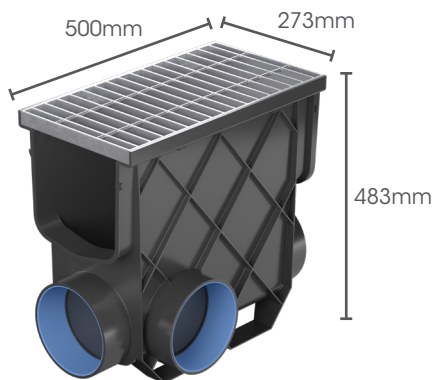


#### RELN Storm Master®

SIZE (L x W x D)  
External: 1000 x 273 x 263mm  
Internal: 1000 x 200 x 200mm

PRODUCT CODES

000150 - Complete with Galvanised Steel Class B Grate  
000147 - Complete with Anti Slip Heel Guard Galvanised Class C Grate



#### RELN Storm Master® Inline Pit

SIZE (L x W x D)  
External - 500 x 273 x 483mm  
Internal - 500 x 200 x 424mm

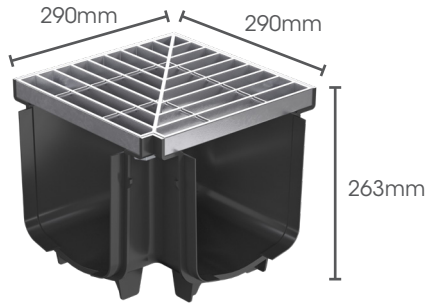
PRODUCT CODES

000151 - Complete with Galvanised Steel Class B Grate  
000149 - Complete with Anti Slip Heel Guard Galvanised Class C Grate

PRODUCT OVERVIEW



CONFIGURATION  
Corner



RELN Storm Master® Corner

SIZE (L x W x D)

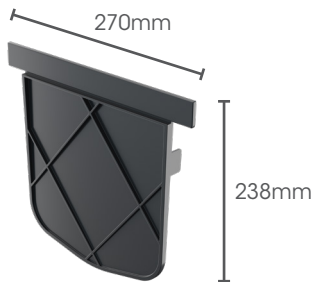
External: 290 x 290 x 263mm

Internal: 290 x 200 x 200mm

PRODUCT CODES

000152 - Complete with Galvanised Steel Class B Grate

000149 - Complete with Anti Slip Heel Guard Galvanised Class C Grate



RELN Storm Master® End Cap

SIZE

270 x 238mm

PRODUCT CODE

000153 - Storm Master® End Cap

CHANNEL GRATE ONLY OPTIONS



Galvanised Class B Grate

PRODUCT CODE  
000154

LOAD RATING  
Class B

APPLICATIONS  
Driveways, paths, courtyards & commercial areas



Galvanised Anti Slip Heel Guard Class C Grate

PRODUCT CODE  
000204

LOAD RATING  
Class C

APPLICATIONS  
Driveways, paths, courtyards, pedestrian & commercial areas