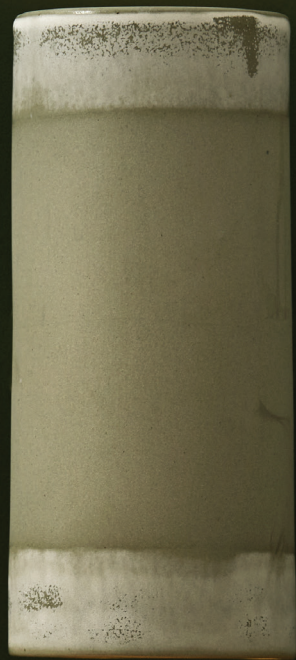


DUSKED
LIGHTING FAMILY



Studio Enti

DUSKED PENDANT LIGHT



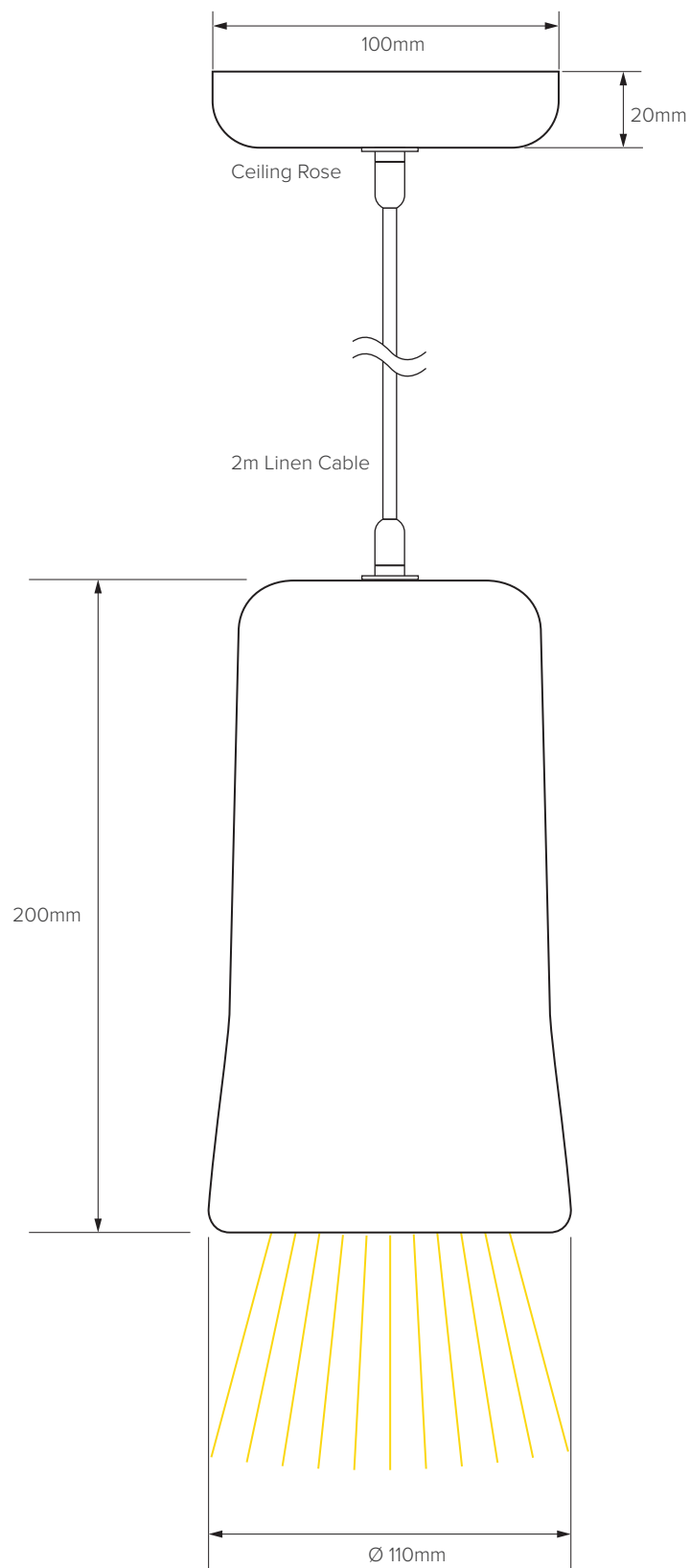
Inspired by the calm at the close of the day, the DUSKED lighting range invites the simple pleasure of quiet illumination. The DUSKED range can be cast in light tones to have gentle translucency and an ambient glow, or in solid colours to offer directional light. These lights are hand cast from stained Australian Porcelain, in our Sydney Studio.

These porcelain pendants have a classic elongated form lending themselves individually to intimate lighting scenarios or as a cluster to light a larger space.

The light cast from the Dusked Pendant is either warm & directional or more ambient, with pieces made in lighter colours (white, wisp and cloud) also offering translucency.

Studio Enti

DUSKED PENDANT LIGHT



Material	Australian Porcelain
Lamp Dimensions	H 200 x Ø 110mm
Ceiling Rose	H 20 x Ø 100mm
Weight	0.6kg
Light fixture	B22 LED bulb bayonet
Cable	2m Linen 3 core, double insulated
Fittings	Brass
Hand Made In	Sydney, Australia

StudioEnti

DUSKED EVO WALL LIGHTS

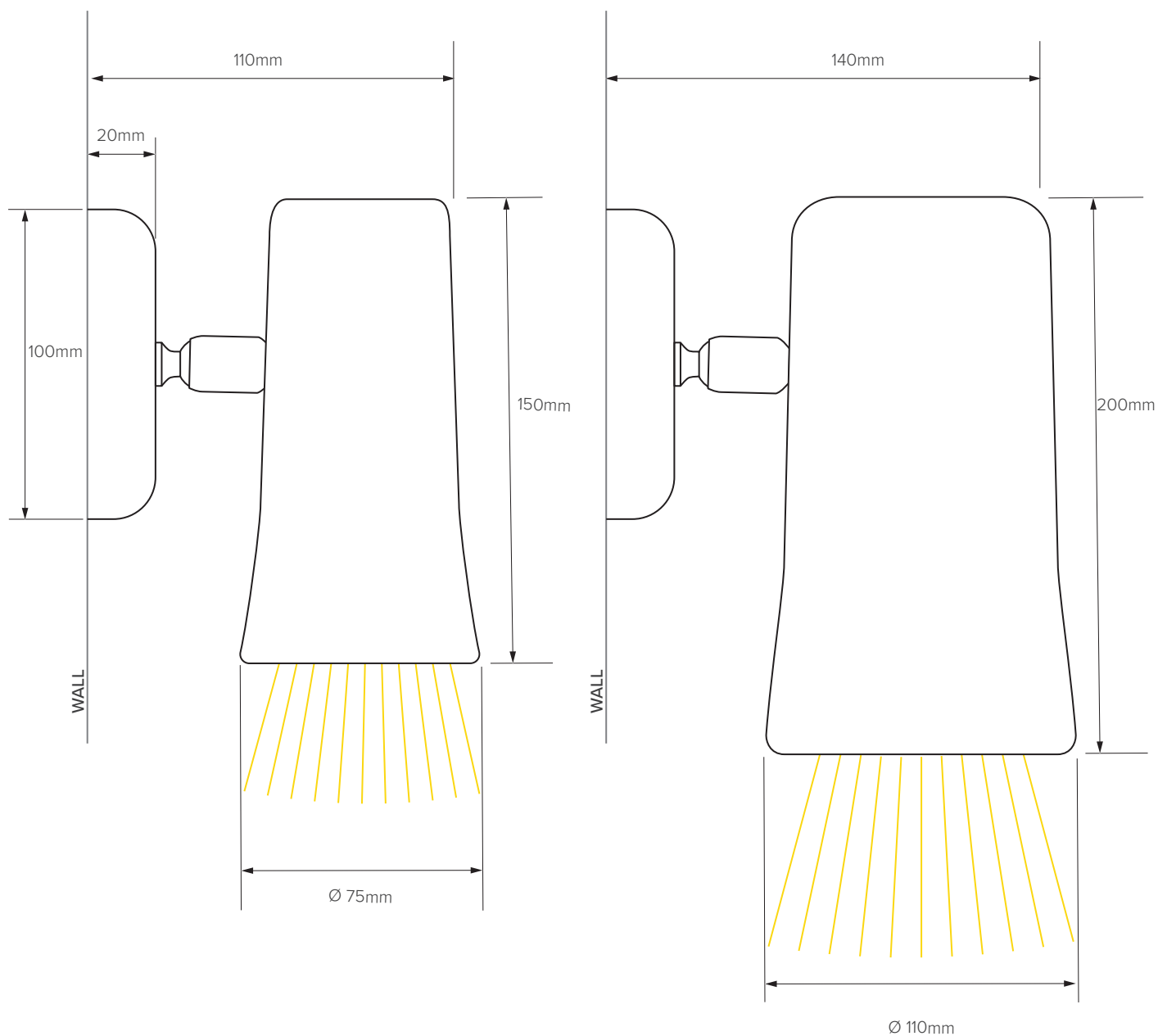


The first of Studio Enti's two wall light stories is the EVO. Available in 25 colours and 2 sizes, EVO is designed to provide directional light that illuminates and creates a soft ambiance.

The DUSKED EVO wall lights are adjustable directional wall lights. The small size works beautifully for cosy bedside reading, bathrooms and areas requiring extra focus. While the large size is ideal in larger spaces where directional light is required.

DUSKED EVO - FAMILY

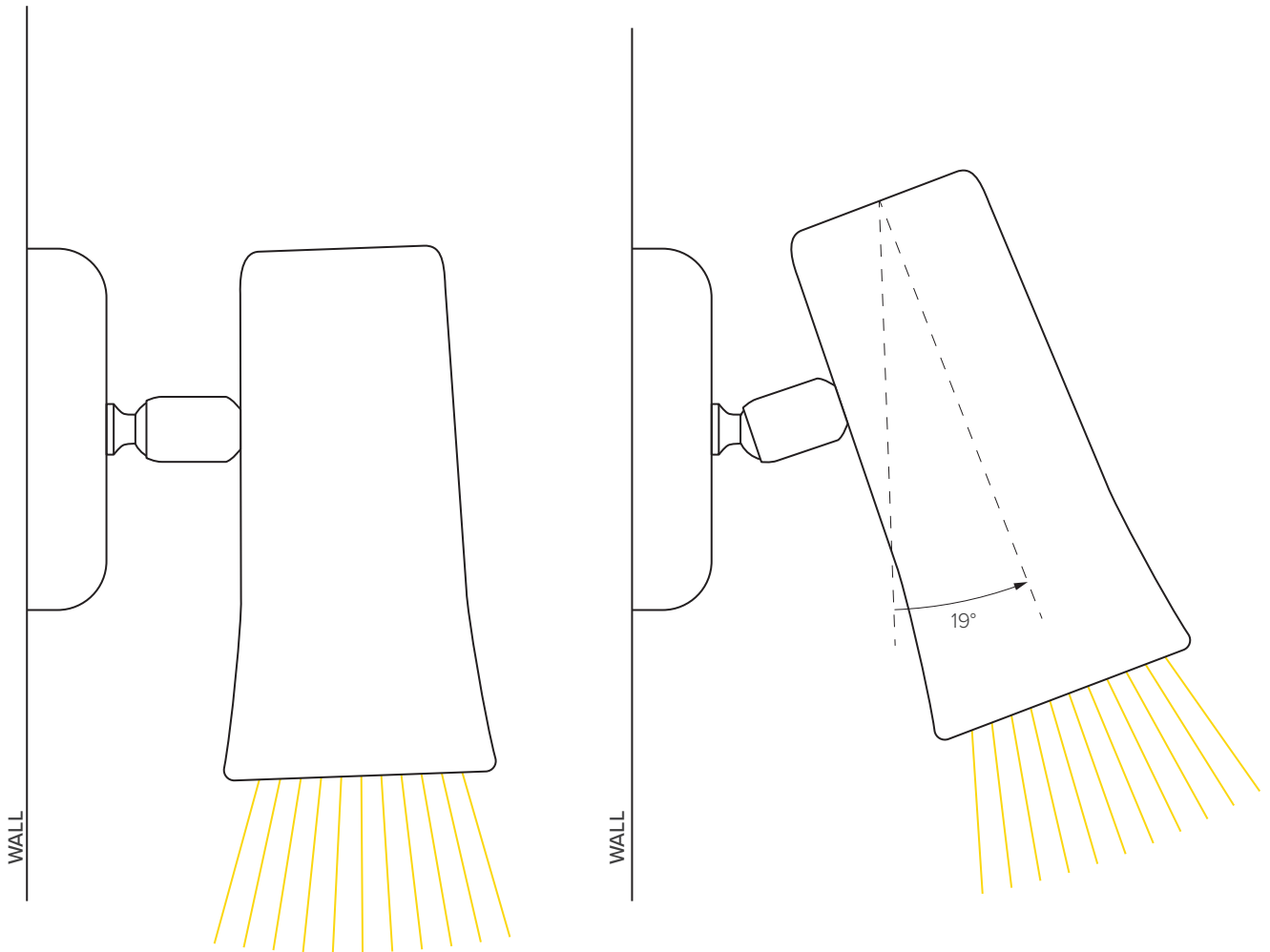
ONE DIRECTIONAL WALL LIGHT



Material	Australian Porcelain
Lamp Dimensions	Sml H 150 x Ø 75mm, Lg H 200 x Ø 110mm
Wall Mount Dimensions	H 20 x Ø 100mm
Weight	Sml 0.4kg, Lg 0.6kg
Light Fixture	LED PUK light with Led driver for installation.
Hand Made In	Sydney, Australia

DUSKED EVO - MOVEMENT

ONE DIRECTIONAL WALL LIGHT



Material	Australian Porcelain
Lamp Dimensions	Sml H 150 x Ø 75mm, Lg H 200 x Ø 110mm
Wall Mount Dimensions	H 20 x Ø 100mm
Weight	Sml 0.4kg, Lg 0.6kg
Light Fixture	LED PUK light with Led driver for installation.
Hand Made In	Sydney, Australia

DUSKED EOS WALL LIGHTS



The second Dusked wall light story is EOS. Available in 25 colours and 3 sizes the EOS is designed to elegantly illuminate and define.

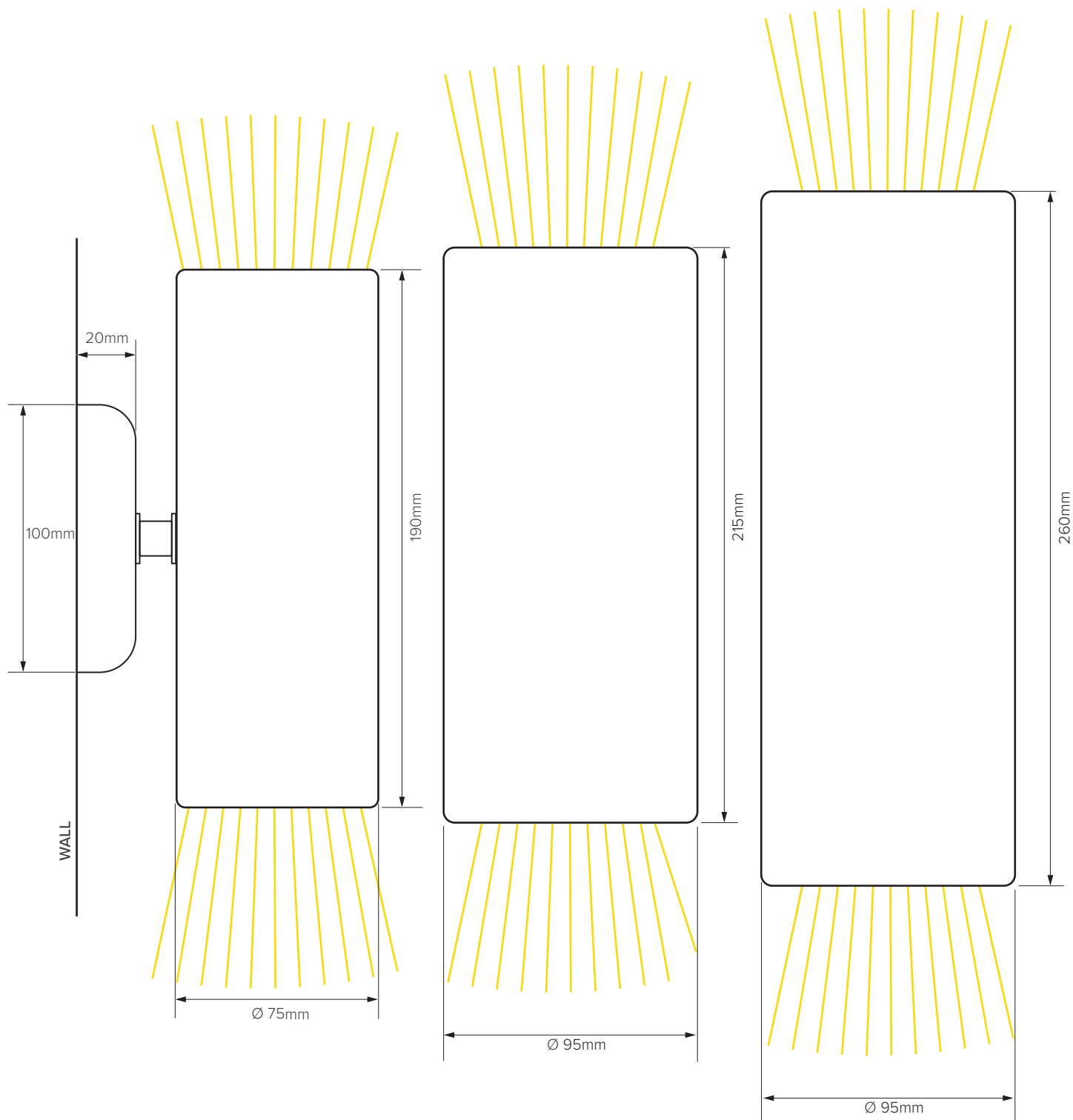
The DUSKED EOS is a column light offering upward and downward radiance - perfect for casting ambience over a larger space - be it hallways, bathrooms or architectural enclaves.

Studio Enti Wall Lights are handmade porcelain pieces designed to enhance a diverse range of interior spaces.

Studio Enti

DUSKED EOS - FAMILY

TWO DIRECTIONAL WALL LIGHTS



Material	Australian Porcelain
Lamp Dimensions	Sml H190 x Ø75, M H215 x Ø95, L H260 x Ø95mm
Wall Mount Dimensions	H 20 x Ø 100mm
Weight	Sml 0.7kg, M 0.8kg, L 1kg
Light Fixture	LED PUK light with Led driver for installation.
Hand Made In	Sydney, Australia

COLOUR SWATCHES

COMPLETE RANGE



WISP*



Dove



Ash



Bluegum



Gravel



Midnight



Sage



Stone



Moss



Thyme



Dark Olive



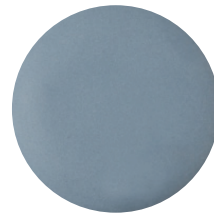
Graphite



Cloud*



Sky



Angelite



Denim



Indigo



Lapis



White*



Cream



Dusty Pink



Baby Pink



Mint



Lotus



Pine

CONTACT
STUDIO ENTI

info@studioenti.com.au

0417 111 688

www.studioenti.com.au

