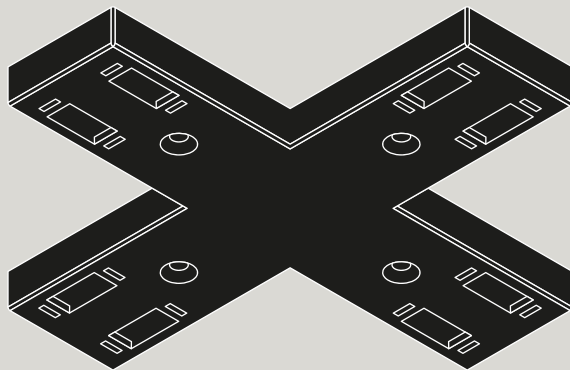
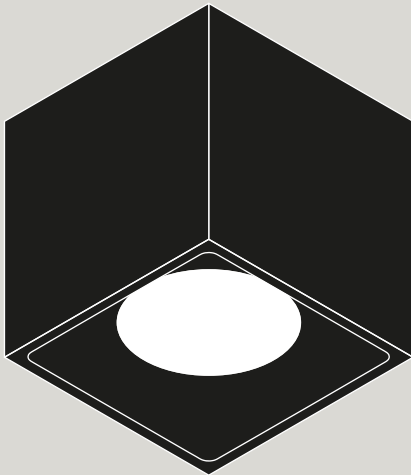
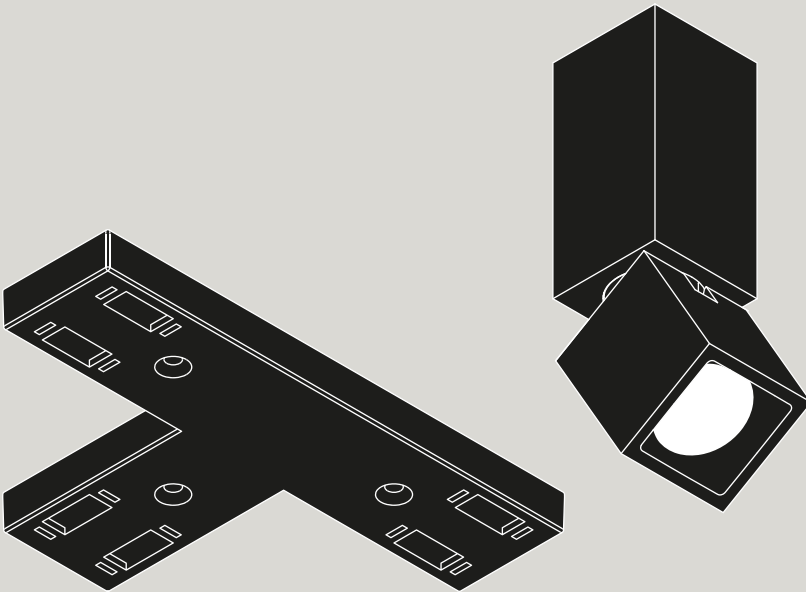
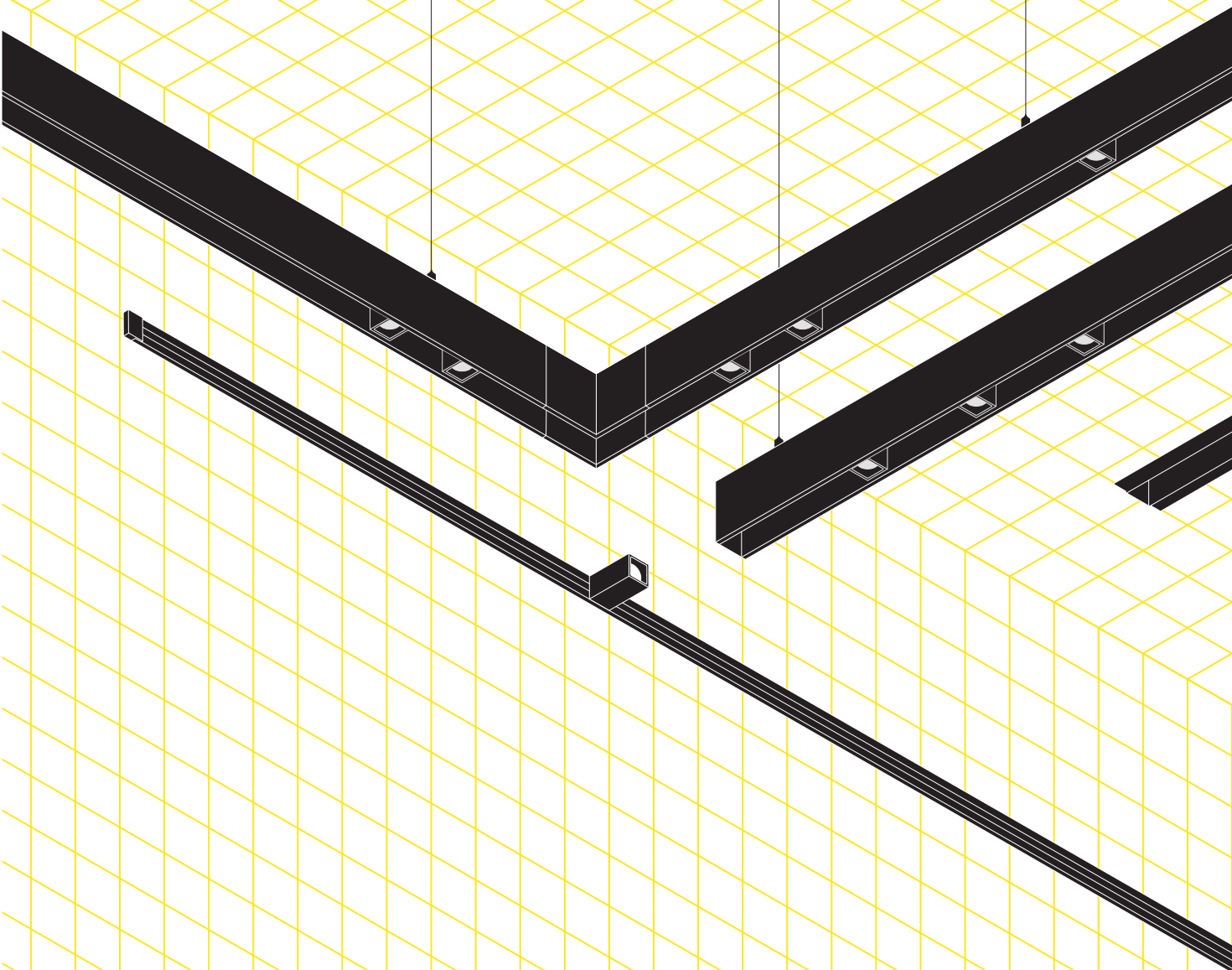


OZ



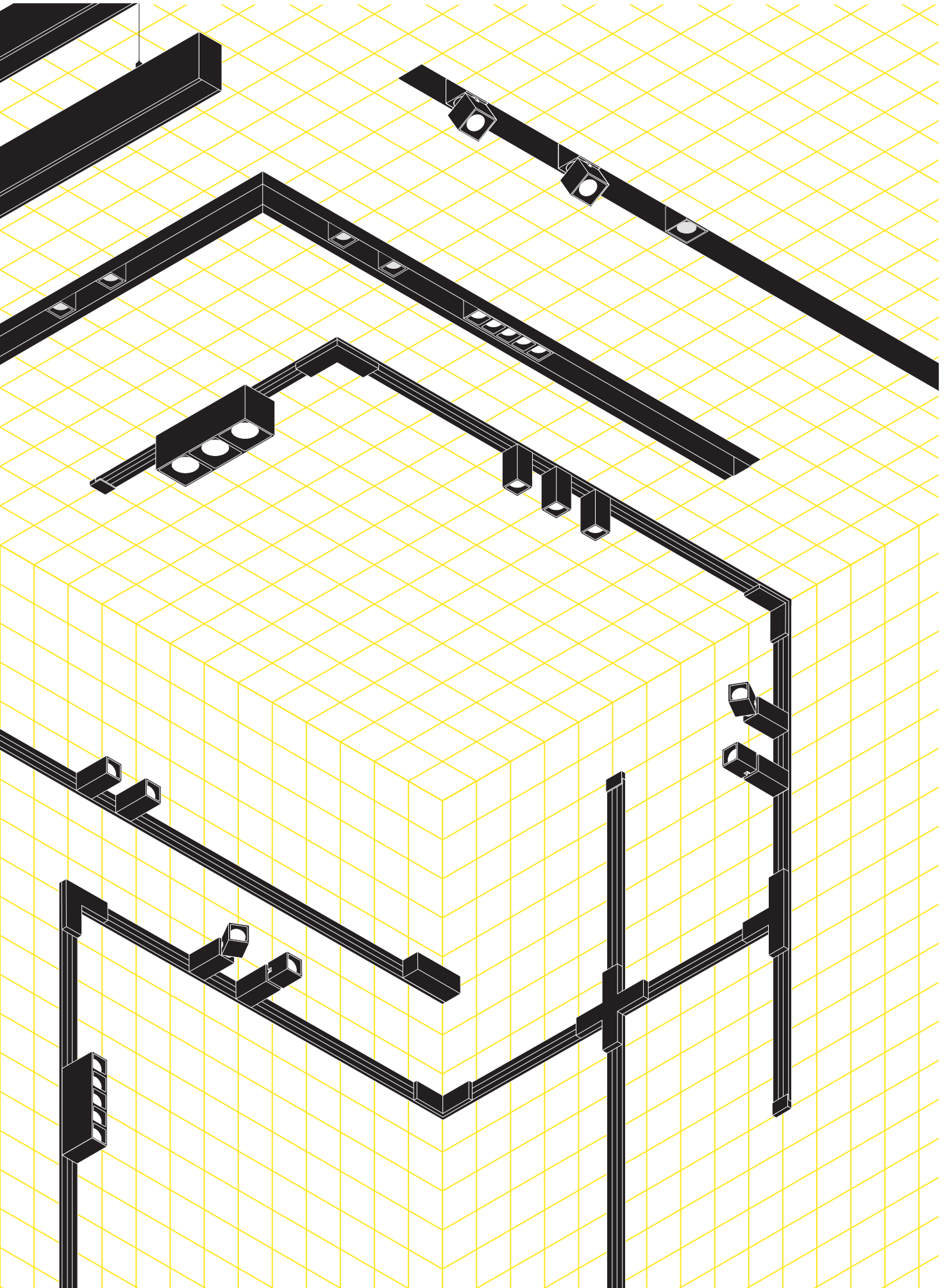
TARGETTI

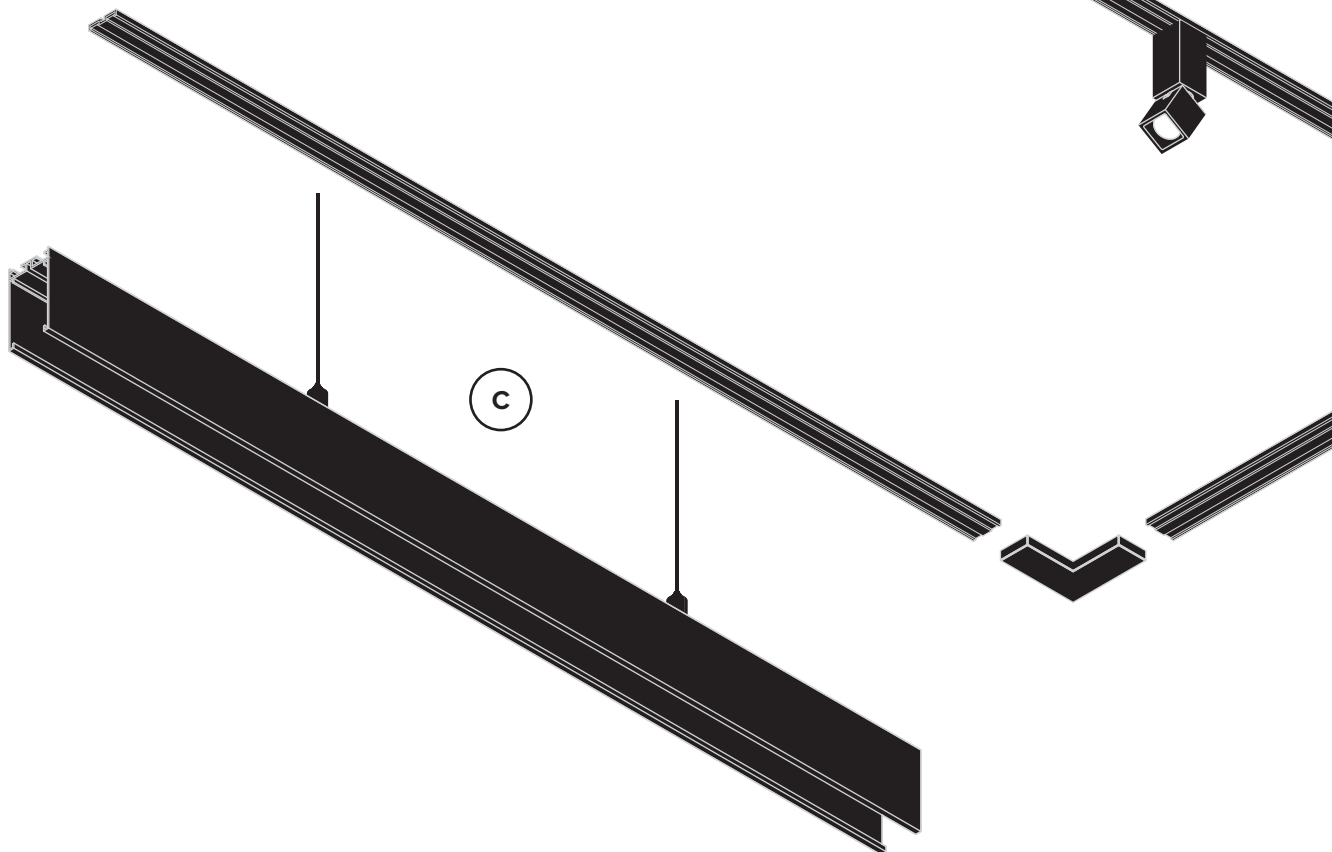
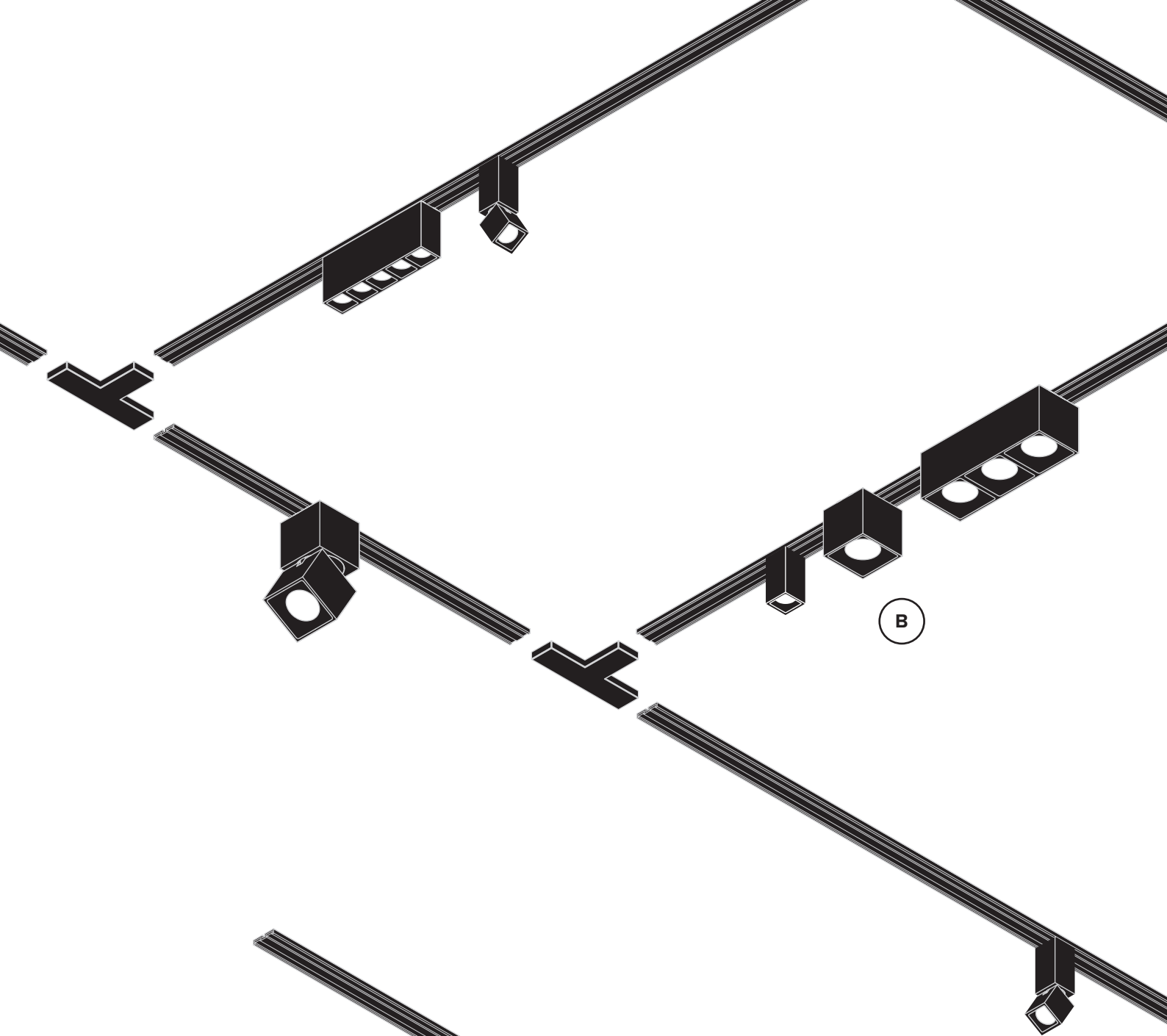
TARGETTI

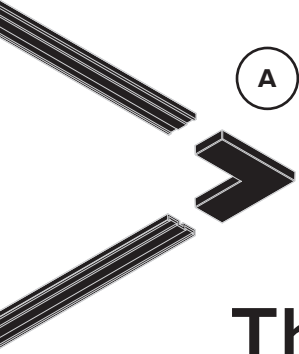


The wonderful system of OZ,
we hear it is more whiz than
a Wiz, if ever a Wiz there
was. The system of Oz is one,
because of the wonderful
things it does.

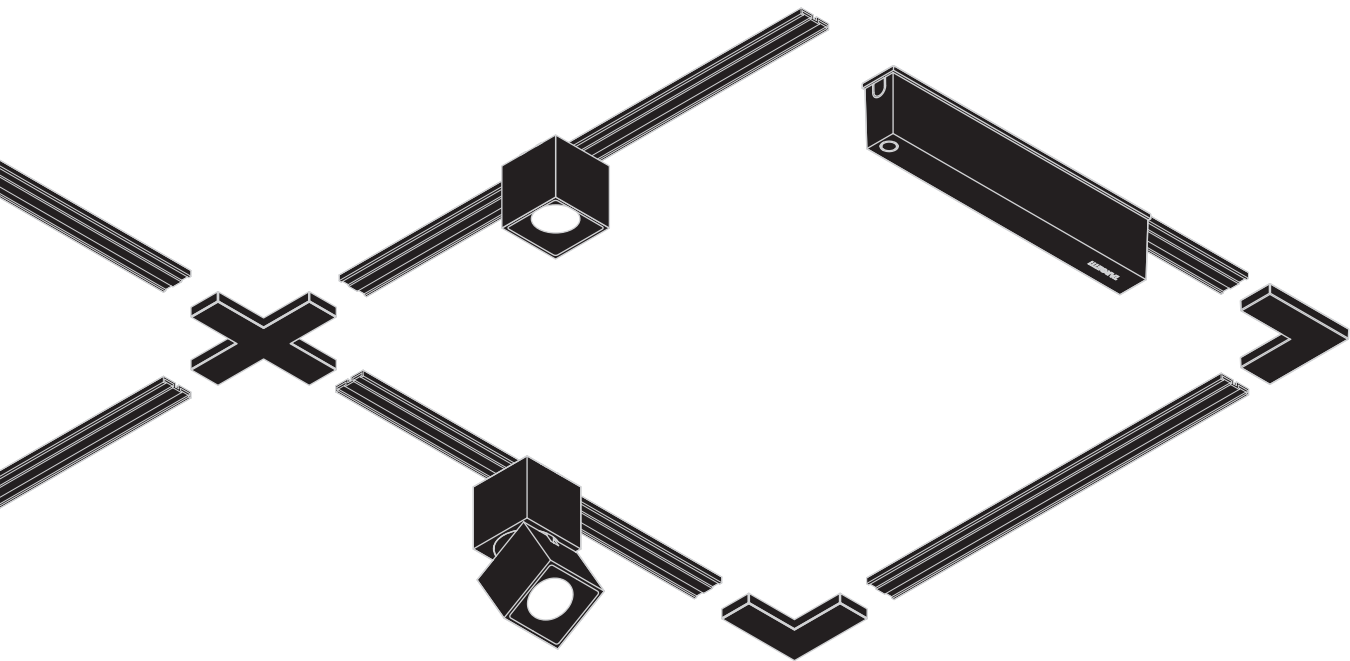
Freely inspired by the movie The Wonderful Wizard of Oz
by Victor Fleming, 1939

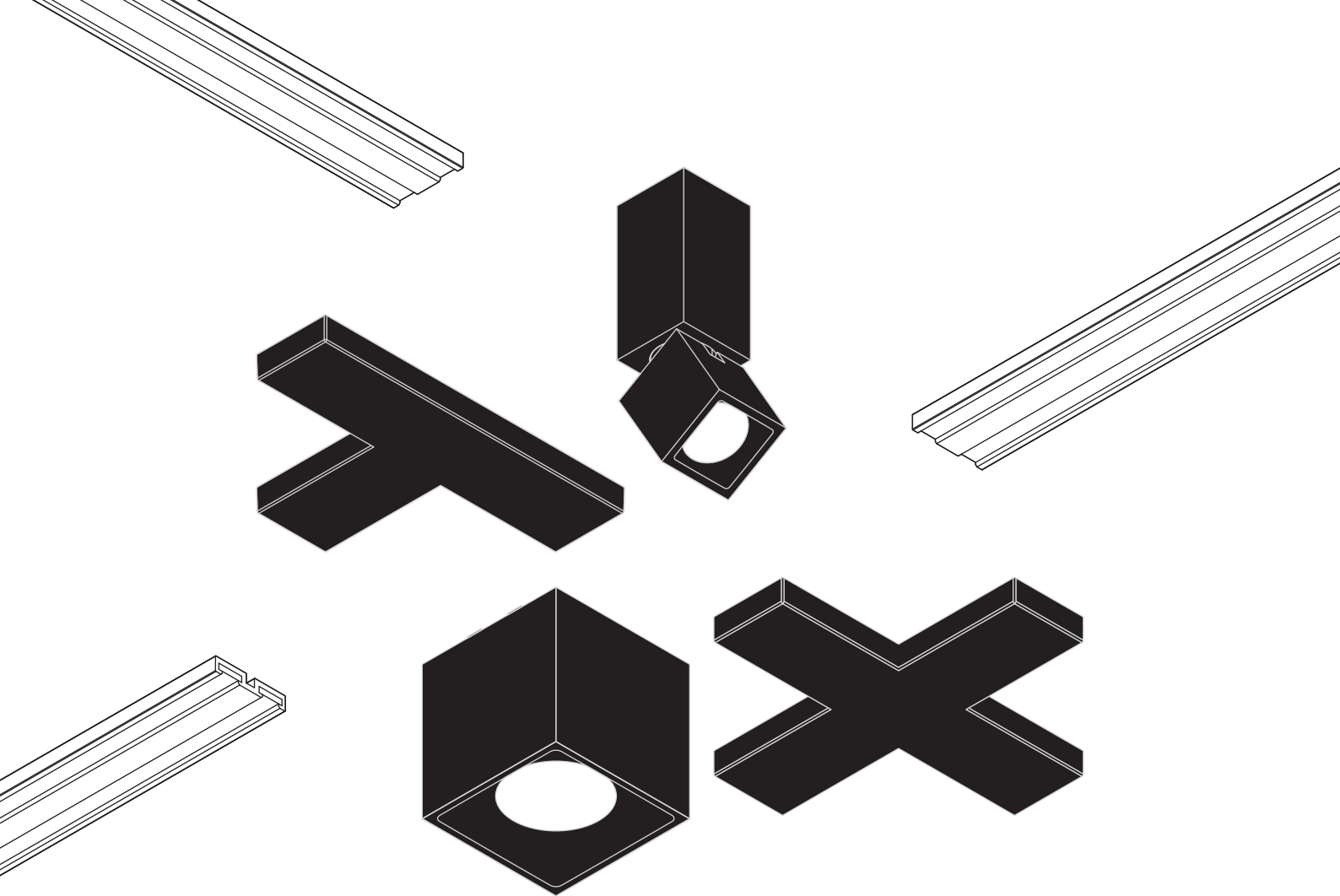






	The OZ world	4
A	Power track	8
B	Light Modules	12
C	Installation solutions	24





OZ was designed with a desire for freedom, a desire to experiment with new shapes and geometries, it was created to bring light everywhere with extreme simplicity and total lightness.

It moves around space like a pencil mark free flowing on a piece of paper, precise and defined that takes shape in thin modular elements that can be configured in infinite ways both on ceilings and walls. Light joins it with the utmost naturalness; minuscule light points can be attached at any point using the force of magnets, allowing for millimetric precision and the possibility to change solutions at any time.

OZ





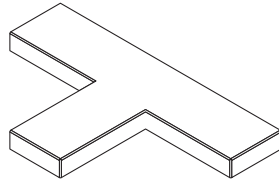
The idea behind OZ is the desire to create a system that is as rigorous as it is simple and minimal. A system with its configuration and modules that designs space as well as lighting it.



THE SYSTEM

Power track

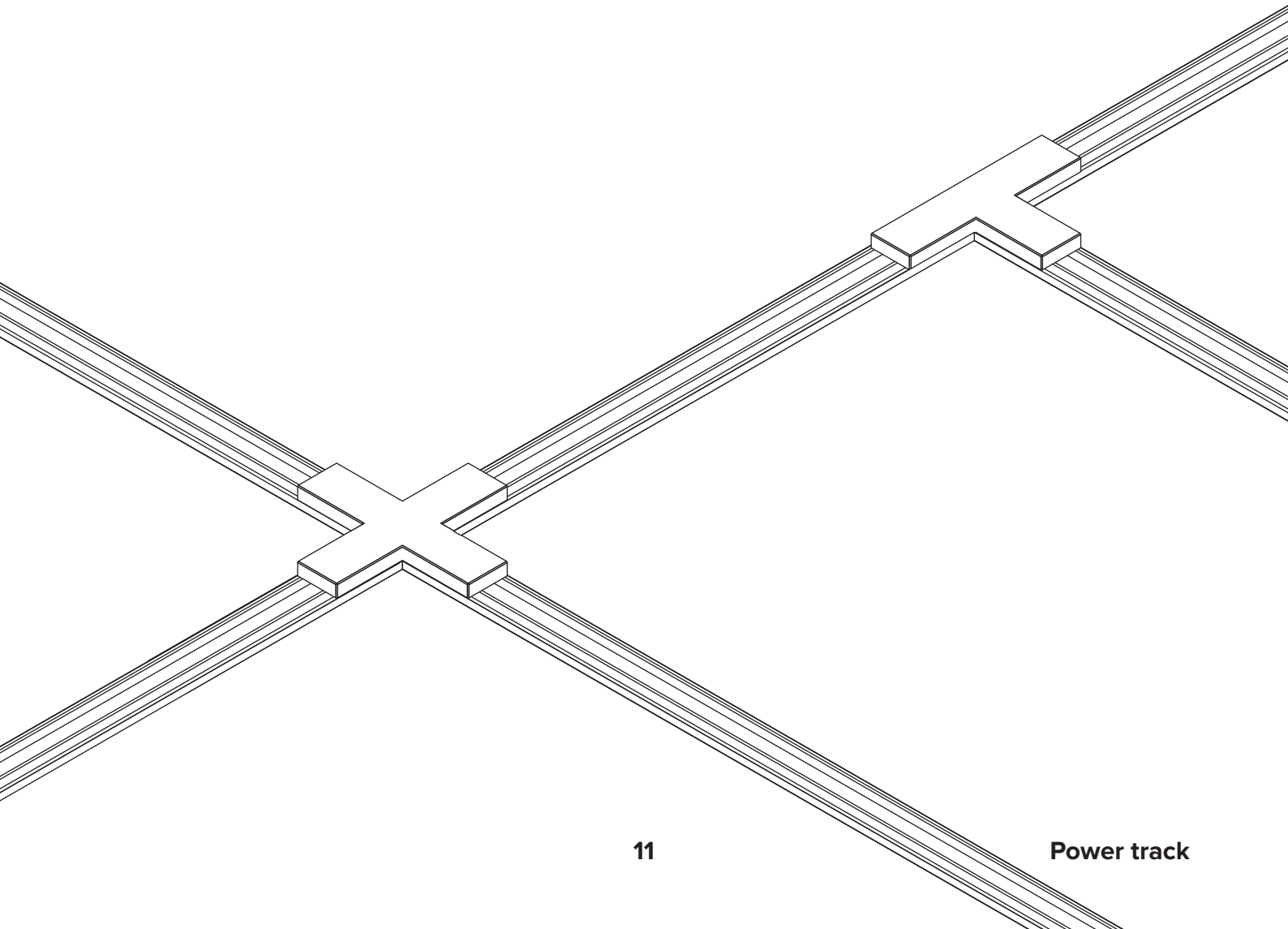




The power track is the heart of the system, an advanced 6mm thick conductive track that winds through space carrying a 48V current on which light units with different beam openings can be attached. The system can be left visible for surface installation to highlight its lightness and technology or housed inside profiles for surface, suspension or recessed installation.

Versatile, intuitive and easy to install it makes it possible to create free geometries for ceiling, wall or suspension installations. Different connectors can be installed on the power track using simple magnets

making it possible to combine different modules easily and simply. The power track can be equipped with a special cover to hide the metal parts of the system. The cover can be cut during installation.



Power Track

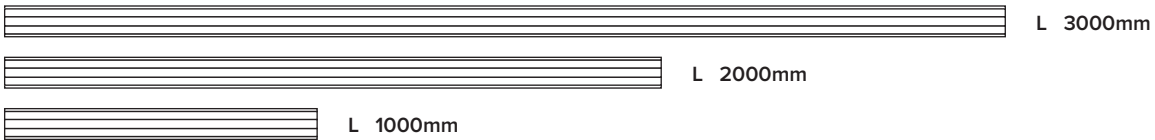


3

Lengths

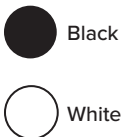
The power track is available in three different lengths, black or white to accessorise with the cover that hides the two metal tracks for

an effect of formal simplicity. The cover can be easily cut to size on installation.



2

possible colour options



5

Electrical connectors

The various shaped electrical connectors connect the tracks together to create free shapes that develop in three dimensions. Linear, L, T, and X shaped connectors as well as junctions are added to join two tracks together that are

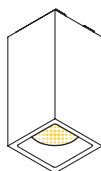
installed on two orthogonal planes, for examples on walls and ceilings. Installation is easy, just move the connector close to the connection point of the track and the magnets will do the rest and block it without the use of any tools.





Light modules

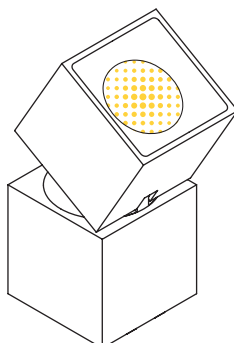
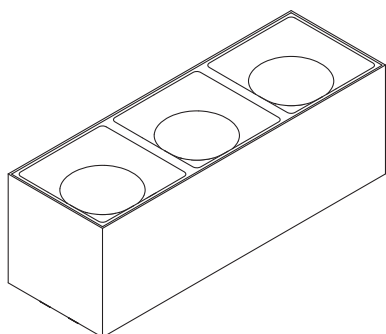
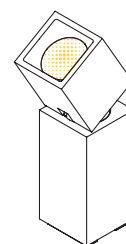
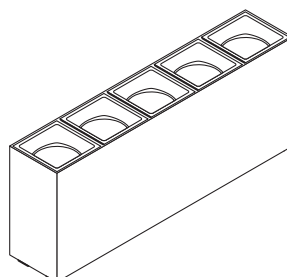
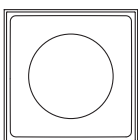
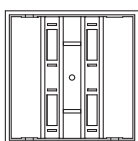




All OZ light modules are modular in nature. There are two basic modules, one double the size of the other from which the entire range of modules were developed to equip the system.

Both modules are extremely small in size: 25mm in width for the smaller one and 50mm for the larger one, both with a depth of 50mm. The range extends from these two modules: fixed, adjustable

and multiple modules. All with two different finishes, with three beam openings and 4 different colour temperatures.



Small light unit (25 × 25mm)



LED
power



Finiture
flux



Optics



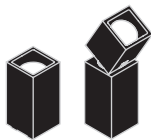
Finish



Colour
temperature

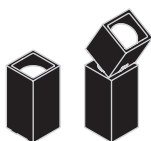


Driver



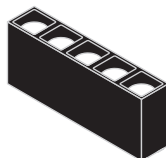
Fixed and Adjustable light module — High Power

2,6 W	184 lm	SP	○●	2700K - 3000K 3500K - 4000K	EL
2,6 W	177 lm	FL	○●	2700K - 3000K 3500K - 4000K	EL
2,6 W	170 lm	MWFL	○●	2700K - 3000K 3500K - 4000K	EL



Fixed and Adjustable light module— Standard

2,1 W	154 lm	SP	○●	2700K - 3000K 3500K - 4000K	EL • Casambi
2,1 W	148 lm	FL	○●	2700K - 3000K 3500K - 4000K	EL • Casambi
2,1 W	142 lm	MWFL	○●	2700K - 3000K 3500K - 4000K	EL • Casambi



Multiple light module — Standard

8,7 W	615 lm	SP	○●	2700K - 3000K 3500K - 4000K	EL • Casambi
8,7 W	590 lm	FL	○●	2700K - 3000K 3500K - 4000K	EL • Casambi
8,7 W	569 lm	MWFL	○●	2700K - 3000K 3500K - 4000K	EL • Casambi

The values refer to versions with electronic drivers, LED 3000K and Ra 90.

Large light unit (50 × 50mm)



LED
power



Finiture
flux



Optics



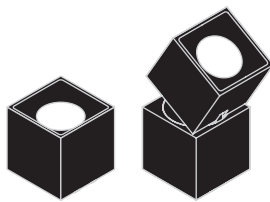
Finish



Colour
temperature

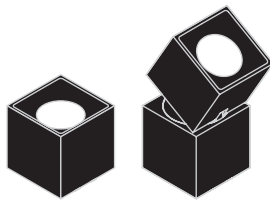


Driver



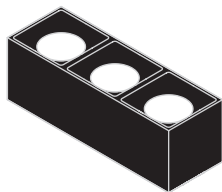
Fixed and Adjustable light module — High Power

7,5 W	840 lm	SP	○●	2700K - 3000K 3500K - 4000K	EL
8,3 W	884 lm	FL	○●	2700K - 3000K 3500K - 4000K	EL
8,3 W	974 lm	MWFL	○●	2700K - 3000K 3500K - 4000K	EL



Fixed and Adjustable light module — Standard

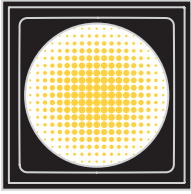
6,8 W	691 lm	SP	○●	2700K - 3000K 3500K - 4000K	EL • Casambi
7,6 W	720 lm	FL	○●	2700K - 3000K 3500K - 4000K	EL • Casambi
7,6 W	794 lm	MWFL	○●	2700K - 3000K 3500K - 4000K	EL • Casambi



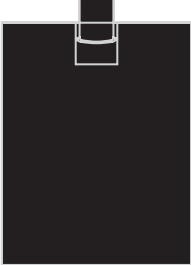
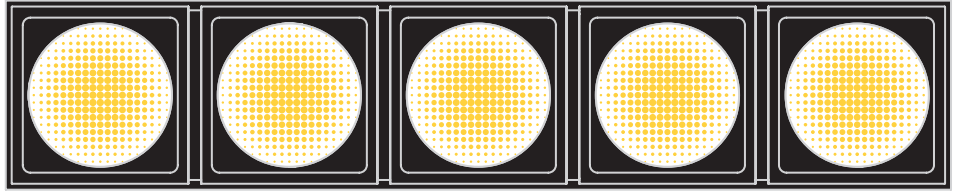
Multiple light module — Standard

20,6 W	2074 lm	SP	○●	2700 k - 3000 k 3500 k - 4000 k	EL • Casambi
23 W	2161 lm	FL	○●	2700 k - 3000 k 3500 k - 4000 k	EL • Casambi
23 W	2381 lm	MWFL	○●	2700 k - 3000 k 3500 k - 4000 k	EL • Casambi

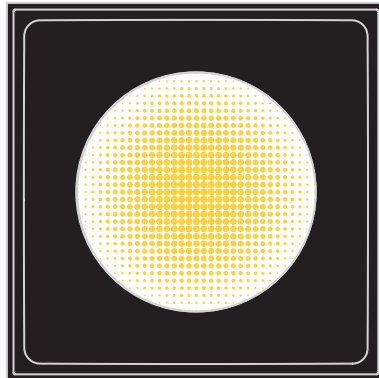
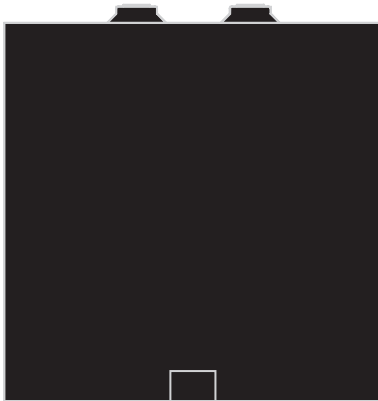
The values refer to versions with electronic drivers, LED 3000K and Ra 90.



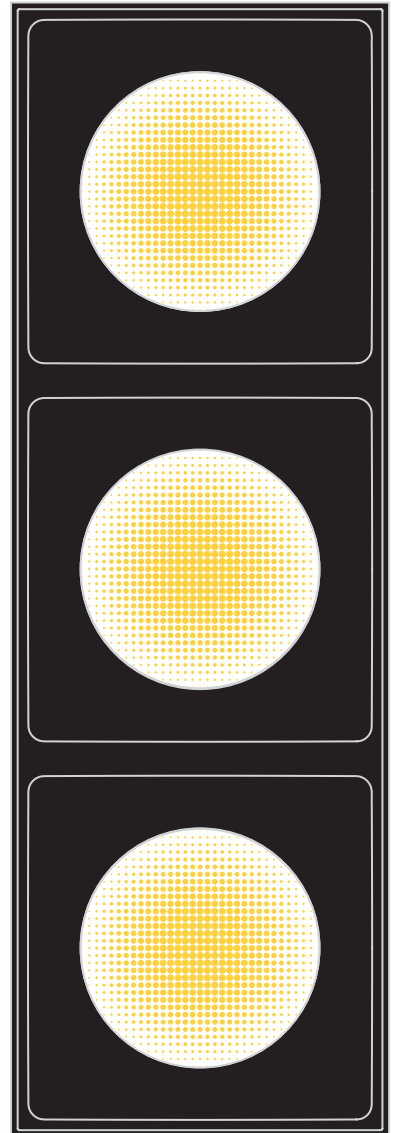
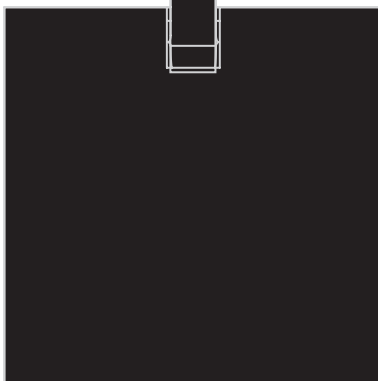
Small
25 × 25



Scale
1:1



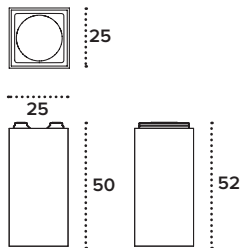
Large
50 × 50



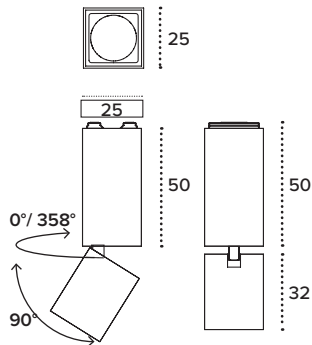
Small single light unit

(25 × 25mm)

FIXED

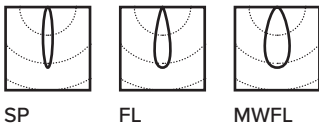


ADJUSTABLE

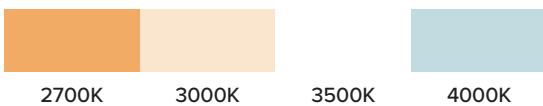


3

Available optics



Colour temperature



Power supply
EL
Casambi on board



Magnetic fixing system

2

Possible colour options



Black



White

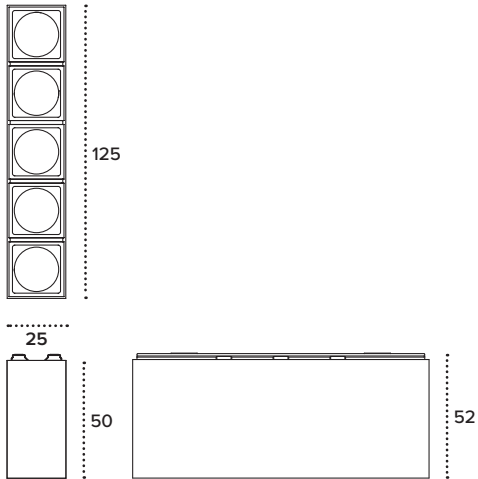


On request it is possible to have the cover in the desired RAL colour



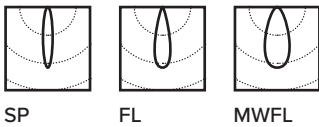
Small multiple light unit

(125 × 25mm)



3

Available optics



Colour temperature



Power supply
EL
Casambi on board



Magnetic fixing system

2

Possible colour options



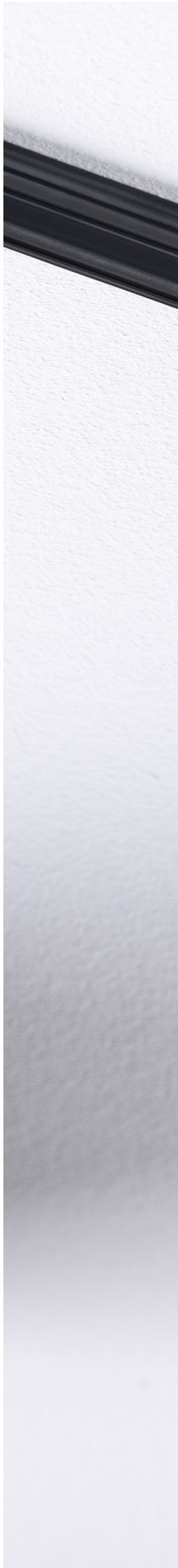
Black



White



On request it is possible to have the cover in the desired RAL colour

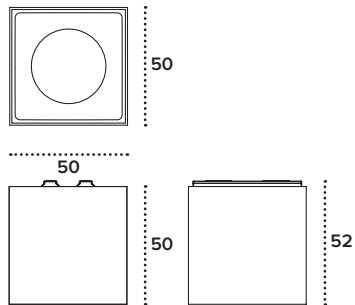




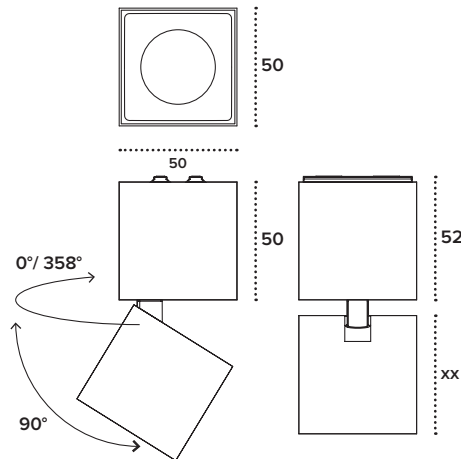
Large light unit

(50 × 50mm)

FIXED

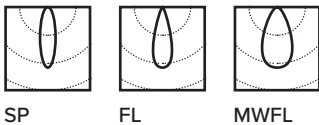


ADJUSTABLE

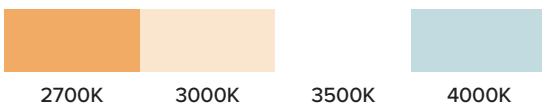


3

Available optics



Colour temperature



Power supply
EL
Casambi on board



Magnetic fixing system

2

Possible colour options



Black



White

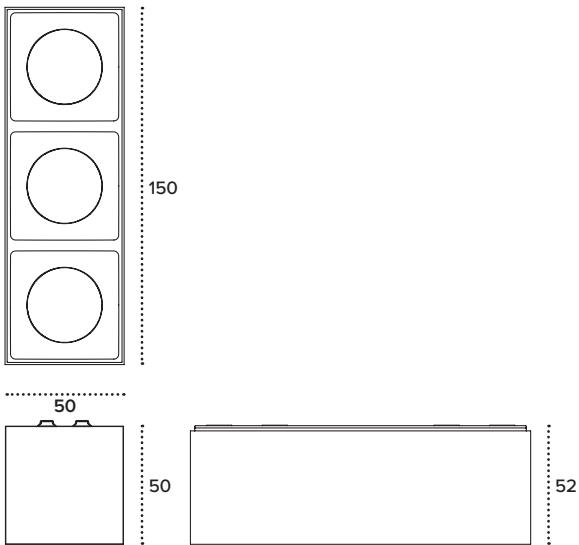


On request it is possible to have the cover in the desired RAL colour



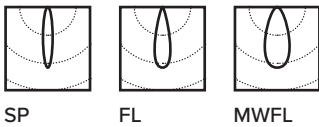
Large multiple light unit

(150 × 50mm)

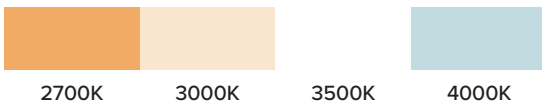


3

Available optics



Colour temperature



Power supply
EL
Casambi on board



Magnetic fixing system

2

Possible colour options



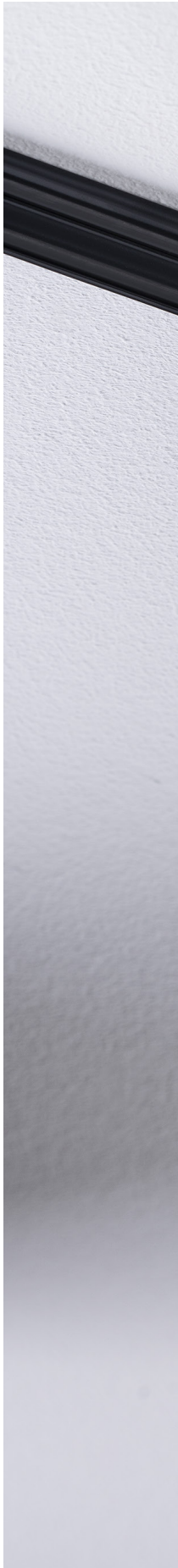
Black



White



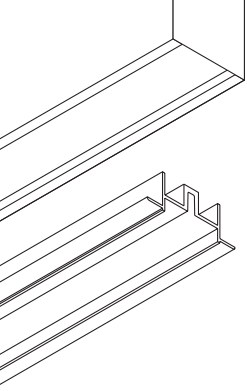
On request it is possible to have the cover in the desired RAL colour





Installation solutions

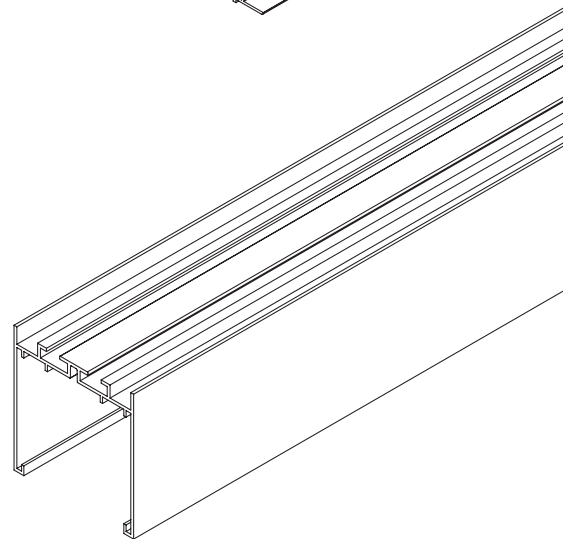
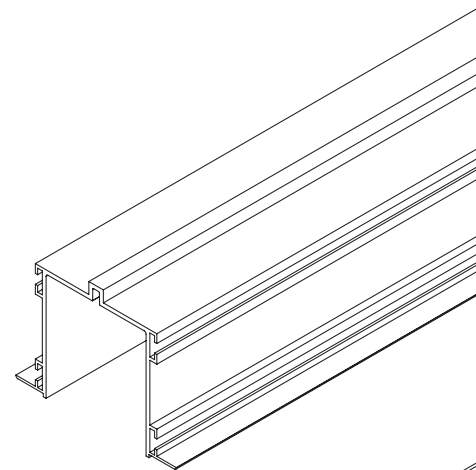
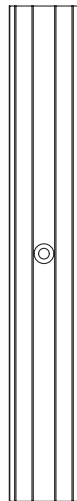
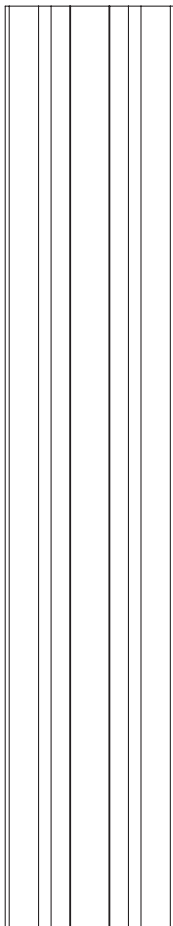




5 different installation solutions for maximum application flexibility.

OZ can be installed on the wall or ceiling with just one power track. Using the special outer casing it can be semi recessed installed or

alternatively it can be completely recessed or suspension if fitted with specific profiles.



5 Installation solutions

A Ceiling/wall installation of just the power track

One power track fixed to the wall or ceiling using screws.

B Recessed installation of just the power track

Recessed installation of just the power track that thanks to its minimum thickness can be hidden – using a special outer casing - in the thickness of the plasterboard.

C Ceiling and Suspension installation with a profile

D

Ceiling and suspension installation using a profile accessory available with two different sections:

- Section **Small** to house only the small modules
- Section **Large** to house both large and small modules

E Recessed installation with a profile

Recessed installation using a profile accessory. The same profile allows for Trimless finish or with a visible flange.

- Section **Small** to house only the small 25x25 modules
- Section **Large** to house both large and small modules

2 Sections Small, Large

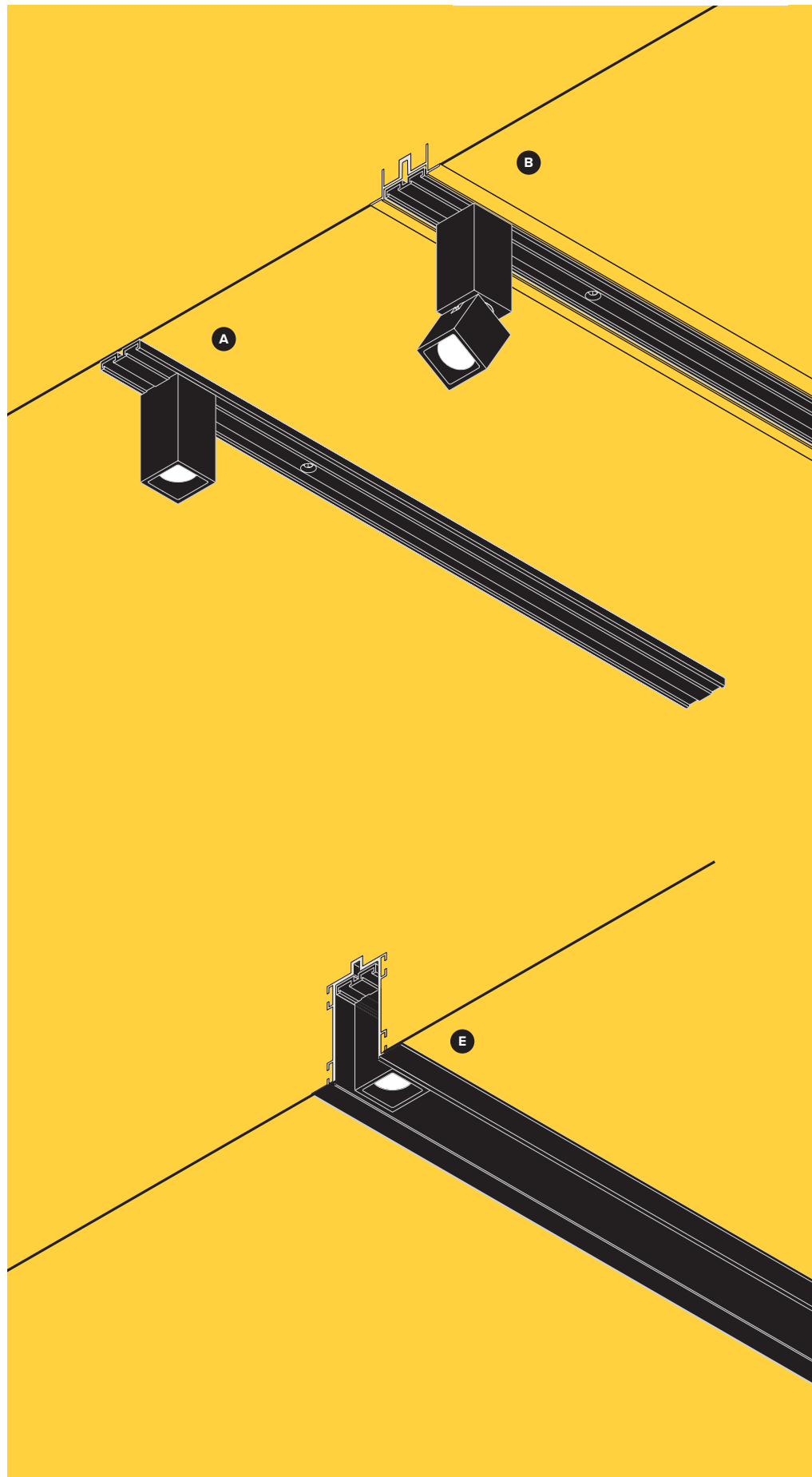
2 Colour options

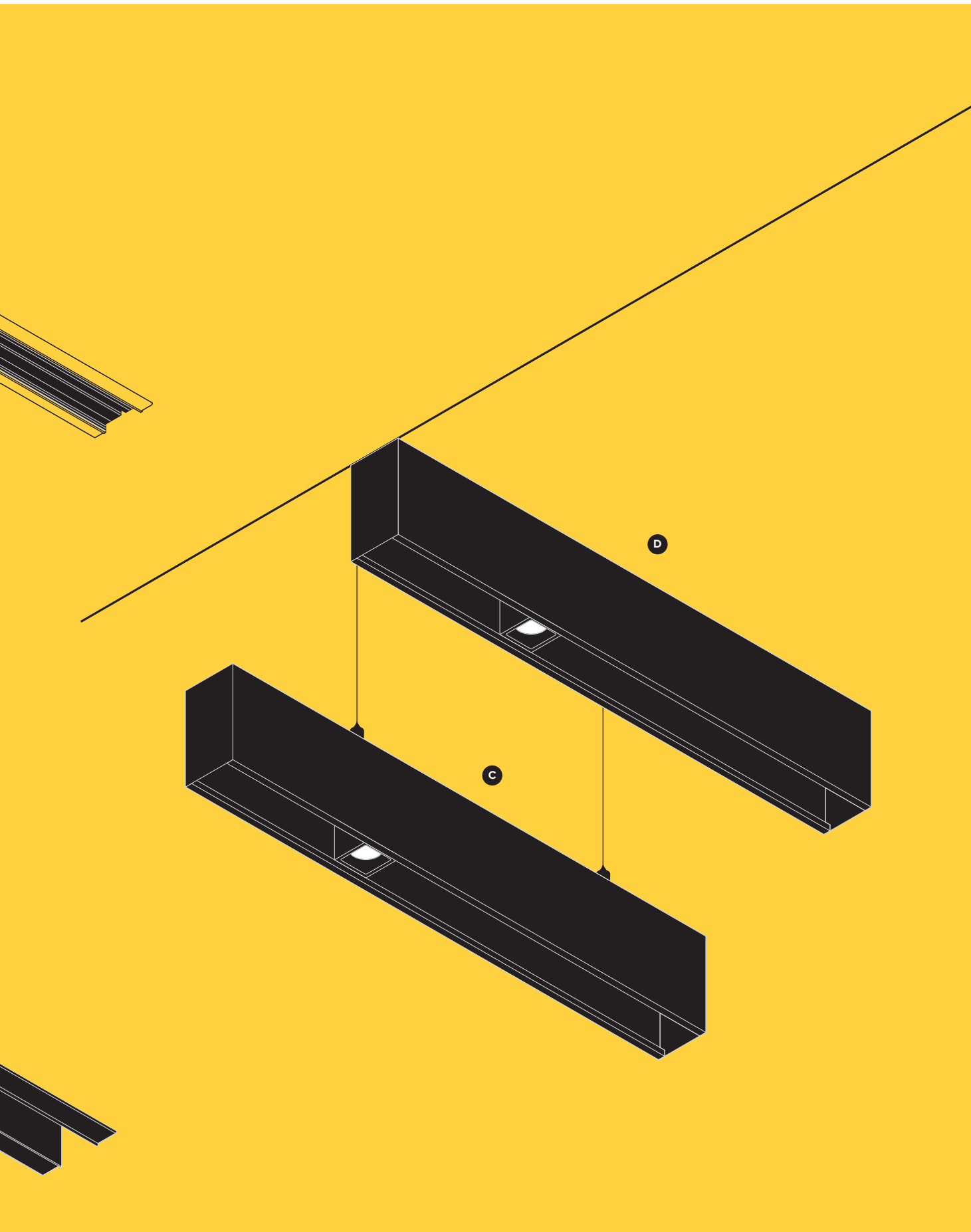


Black



White



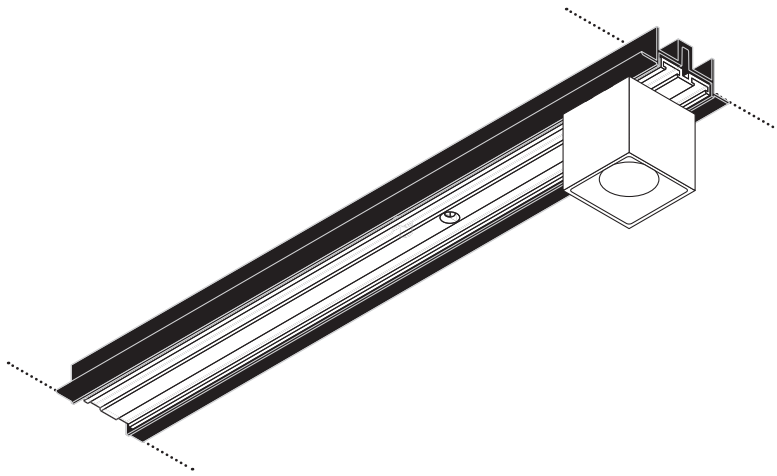


Profile for recessed power track installations

For “thin” recessed installation where the intention is only to hide the power track leaving the light units visible, it is necessary to accessorise the system with a special outer casing.

To create this type of configuration it is necessary to accessorise the power track with:

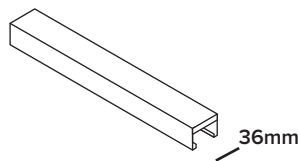
- Outer casing
- Fixing brackets
- Electrical connectors for power-track
- Power supply system (driver)



1

Size

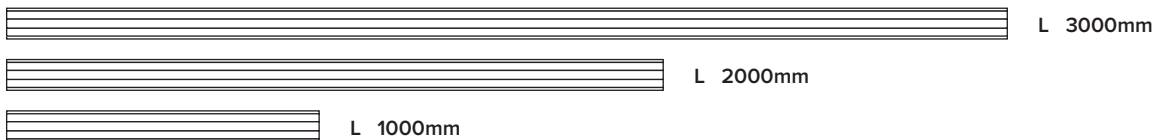
Outer casing for the power track that can accessorise any type of light unit.



3

Lengths

Three different lengths equivalent to the lengths of the power tracks.



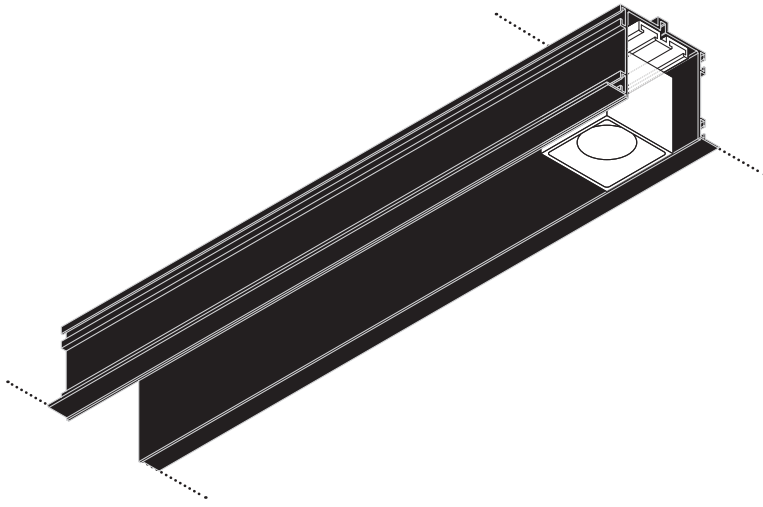
1

Fixing systems using accessory brackets.

/

Mechanical connectors
No mechanical connectors necessary.

Profile for recessed installations



For “deep” recessed installations it is necessary to equip the power track with a special profile for trimless installation or with a visible flange. Available in two different lengths. The 38mm version allows to equip the system only with the 25 m light units and the 63mm version allows to equip the system with both the 25mm and 50mm light units.

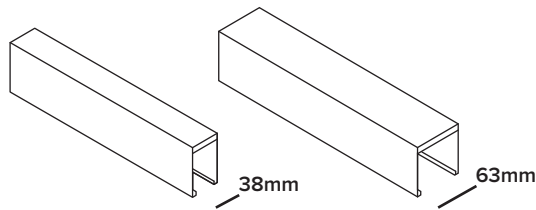
To create this type of configuration it is necessary to accessorise the power track with electrical connectors, metal profiles, mechanical connectors, a fixing kit and a power supply system.

2

Sizes

A 38mm wide profile for **Small** wide light units

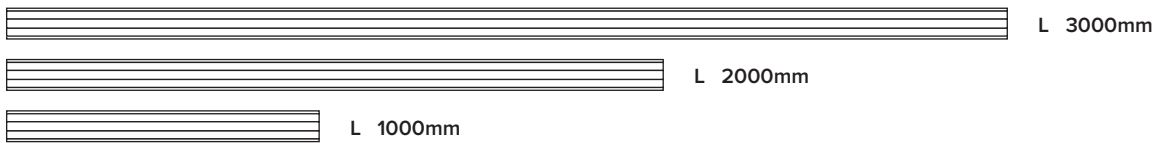
A 63mm wide profile for **Small** and **Large** wide light units



3

Lengths

Three different lengths equivalent to the lengths of the power tracks.



1

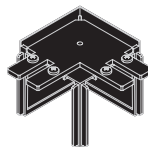
Fixing systems using **accessory brackets**.

2

Mechanical connectors **Linear** and **L** connectors.

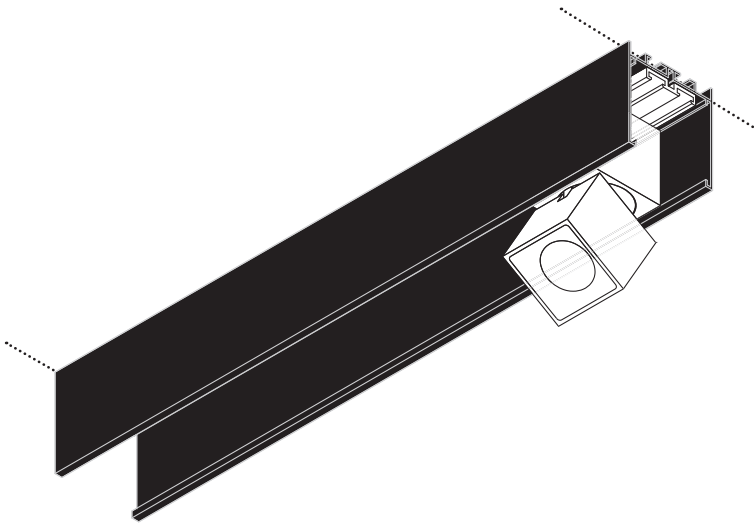


linear connector



L connector

Profile for ceiling or suspension installation



To create ceiling or suspension installations where the power track and light points can be hidden there are two different profiles to choose from. A narrower one that makes it possible to equip the system with only the 25 mm light units and a wider one that can allow for both the 25 mm and 50 mm light units.

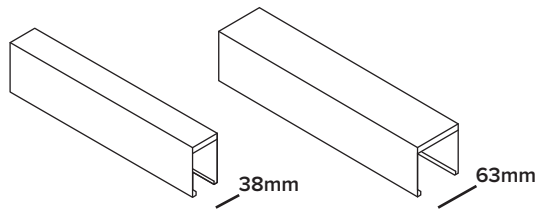
To create this type of configuration it is necessary to accessorise the power track with electrical connectors, metal profiles, mechanical connectors, a fixing kit and a power supply system.

2

Sizes

A 38mm wide profile for **Small** wide light units.

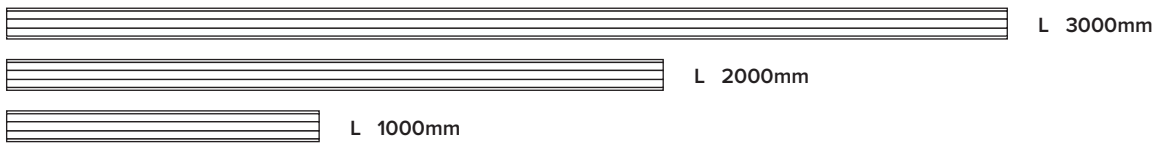
A 63mm wide profile for **Small** e **Large** wide light units.



3

Lengths

Three different lengths equivalent to the lengths of the power tracks.



2

Fixing systems

Ceiling-mounted installation kit

Suspension-mounted installation kit

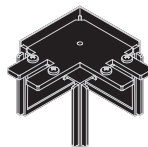
4

Mechanical connectors

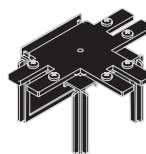
Linear, **L**, **T** and **X** connectors to create configurations with absolute freedom.



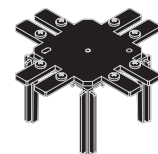
linear connector



L connector



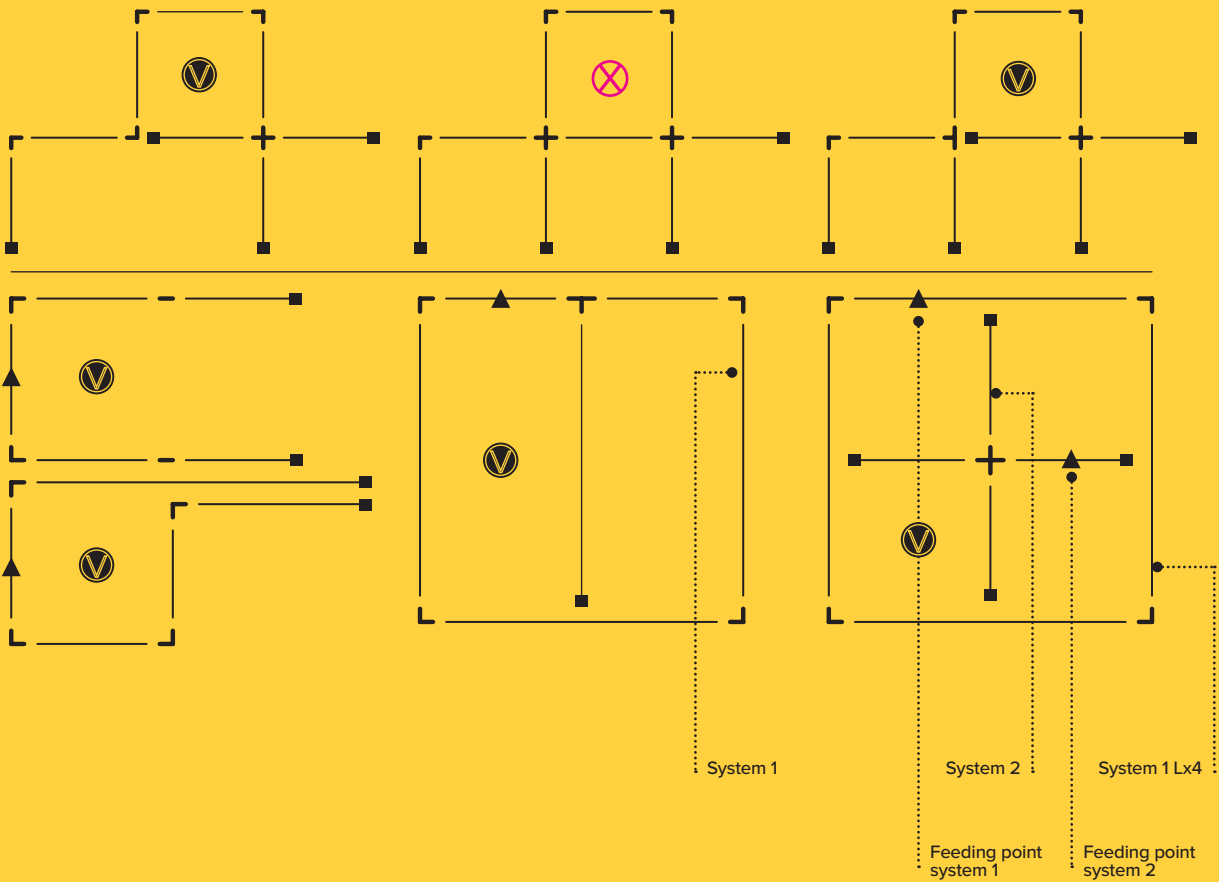
T connector



X connector

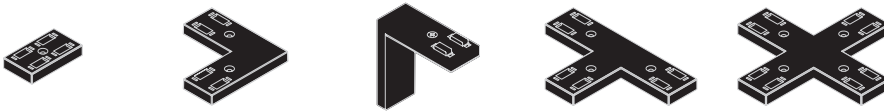


The rules of OZ



5

Is the maximum number of connectors that can be used in the same configuration



10

Metres is the maximum length of a configuration connected to the same power supply

0

Is the closed systems that can be created. Only closed systems with 4 L-joints are allowed.

3

Is the maximum number of **Large** light units that can be installed side by side (group).

5

Is the maximum number of **Small** light units that can be installed side by side (group).



2

Are the number of groups that can be on 1 metre of the system.

100

Watt is the maximum power that can be installed per metre. The total power of the configuration varies according to the type of driver used.

3

Is the number of power supplies

∞

Possible solutions

- Integrated box driver on board max 90W
- Ceiling-mounted box driver max 90W
- Remote driver max 210W

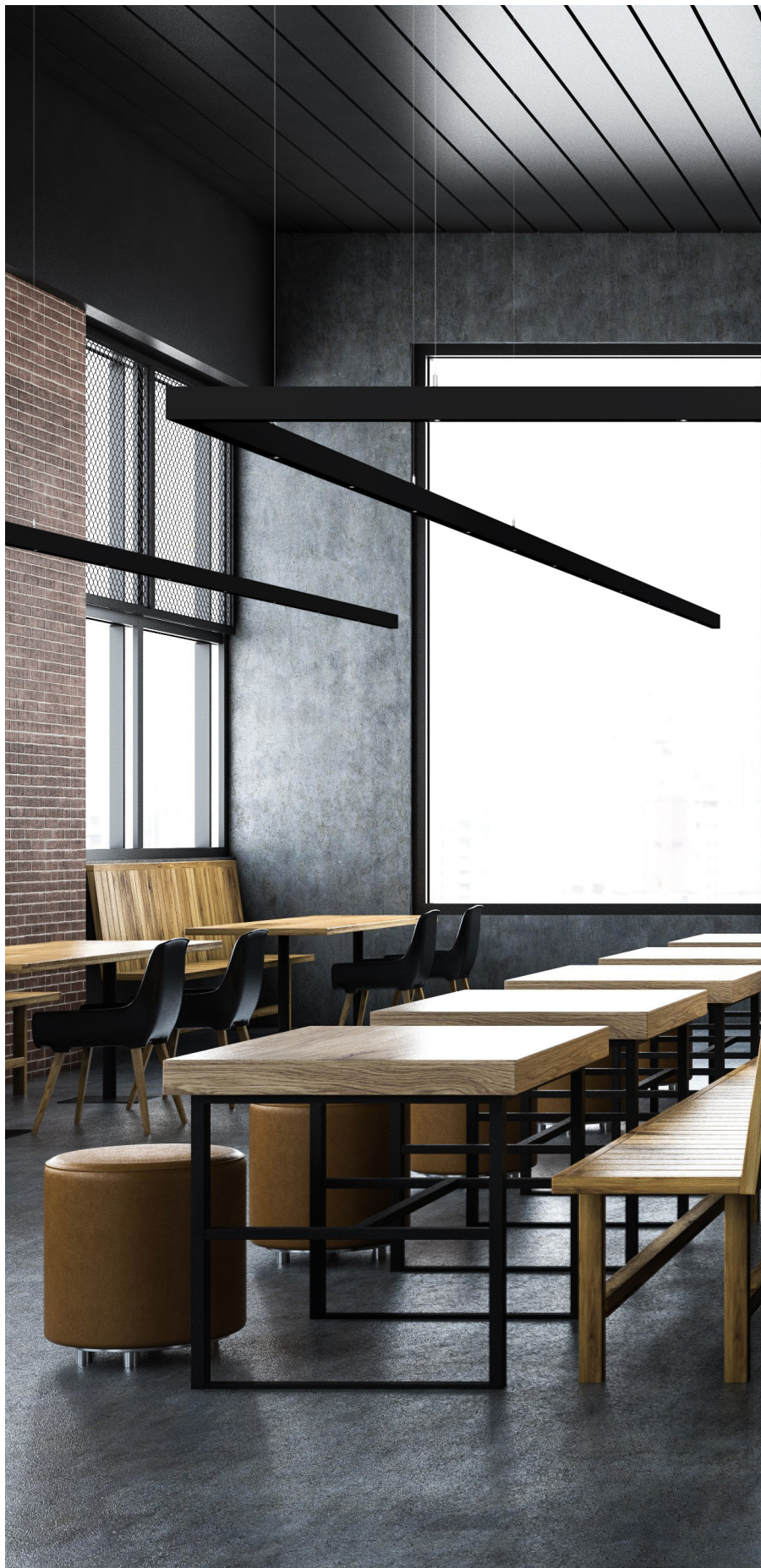
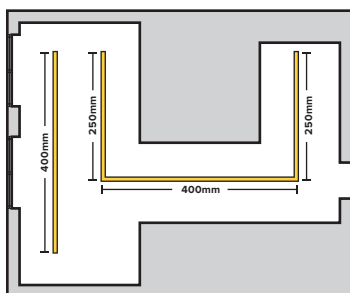
How to use OZ

Power track housed in a black colour profile for suspension installation

Description of linear installation	Quantity
2000mm long Power track (black)	2
Linear electrical connector (black)	1
Driver on board	1
Terminal	1
Large ceiling/suspension profile - 2000mm head module (black)	1
Large ceiling/suspension profile - 2000mm central module (black)	1
Linear mechanical connector (black)	1
Suspension installation kit	5
Small fixed light unit SP optic (white)	10

Description of C installation	Quantity
3000mm long Power track (black)	2
2000mm long Power track (black)	2
Linear electrical connector (black)	1
L shaped electrical connector	2
Driver on board	1
Terminal	1
Large ceiling/suspension profile - 3000mm head module (black)	1
Large ceiling/suspension profile - 3000mm central module (black)	1
Large ceiling/suspension profile - 2000mm central module (black)	2
Linear mechanical connector (black)	1
L shaped mechanical connector (black)	2
Suspension installation kit	11
Small fixed light unit SP optic (white)	22

For ceiling or suspension installation it is necessary to diversify the head profiles from the central and terminal profiles. Head profiles have a hole at the top to allow the cable to pass through to connect to the mains power supply.



Suspension profiles must be ordered according to the length of the modules in compliance with the following indications

1000mm long modules

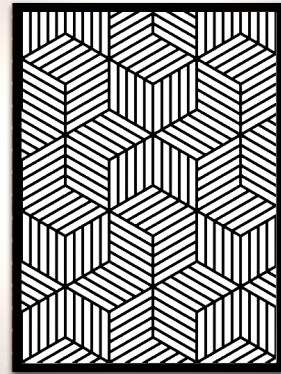
2 points at a minimum distance of 800mm equidistant from the centre.

2000mm long modules

2 points at a minimum distance of 1800mm equidistant from the centre.

3000mm long modules

3 points at a uniform distance of 1400mm from each other.

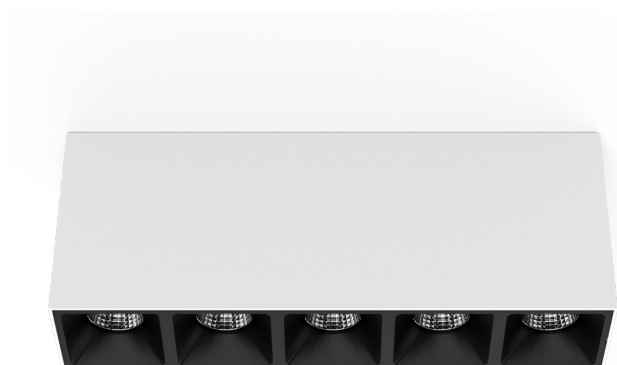


OZ Stand Alone 230V

Small



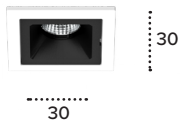
Large



The same design, similar performance characteristics with a conceptually different installation philosophy.

OZ is also Stand alone 230V. Small points of light provided by single or multiple elements that are self-sufficient, contrast with the concept of a system which is inspired on the other hand by a continuous line that develops in the space.

Available in two different sizes, small and large, for ceiling or recessed installation. SP, FL and MWFL optics are suitable for installation in work environments - UGR<13 for the Small versions and UGR<17 for the Large versions (EN12464-1).



3

Available optics



SP



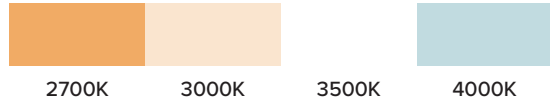
FL



MWFL

4

Colours temperatures



2

Installation solution

Ceiling / Recessed with flange or Trimless

2

Sizes

Small and Large

⚡ 2

Power supply

EL
DALI

2

Colours
(ceiling version)



Black



White

OZ Stand alone 230V

Targetti Sankey S.p.A.

via Pratese 164
50145 Firenze, Italia

Phone. 055 37911
Fax. 055 3791 266
targetti@targetti.com
www.targetti.com

Customer Care
customer@targetti.com

Customer Service
technical@targetti.com

Lighting Consulting
project@targetti.com

Graphic design
lcd

Print
ABC Tipografia - Firenze