

# iO Lighting

## Specifications & Technical Data sheet

### The Range

#### iO DRUM PENDANTS



The IO Drum pendant light is available in the following Standard\* sizes:

Drum ø37.5cm x h30cm - Max 100W ES27

Drum ø45cm x h30cm - Max 100W ES27

Drum ø52.5cm x 30cm - Max 100W ES27

Drum ø60cm x h30cm - Max 100W ES27

Drum ø60cm x h40cm - Max 100W ES27

Drum ø90cm x h40cm - Max 100W ES27 (Three wire cable suspension required. We recommend purchasing our full suspension kit with this shade)

\*Customised fin-length is available. Price on request

NOTE: Installation must be by a certified electrician.

## iO LONG PENDANTS



iO Long Pendants are available in the following standard\* sizes:

Long ø21cm x h 60 cm – Max 60W ES27

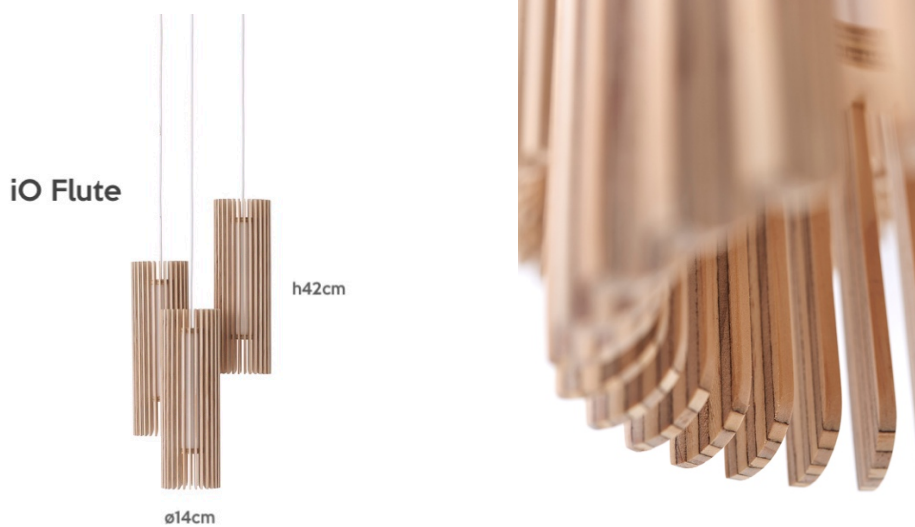
Long ø28cm x h 60 cm – Max 60W ES27

Long ø37.5cm x h 60 cm – Max 100W ES27

\*Custom fin-length is available. Price on request

NOTE: Installation must be by a certified electrician.

## iO Flute Pendants



---

iO Flute pendants are ø14cm x h42cm and have a ¼-round radius to the inside tip of each fin. Max 40W ES14 bulb

\*Installation must be by a certified electrician.

## iO Lamps



---

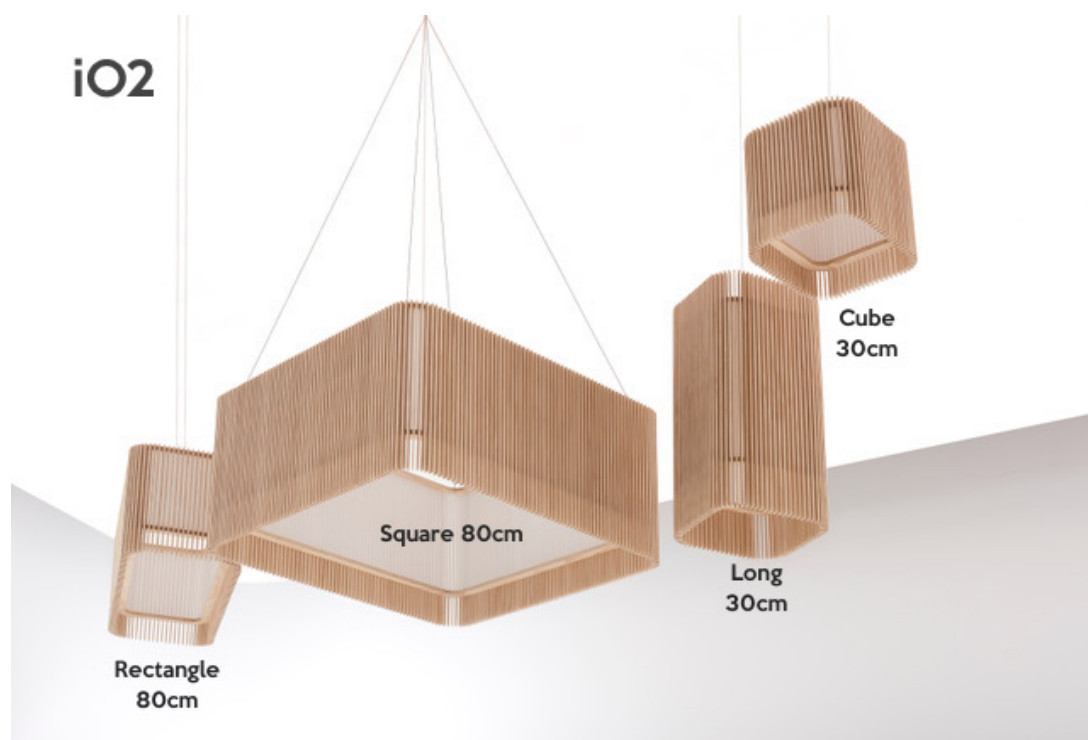
All lamps are supplied with 2.5m lead with in-line switch and moulded plug

iO Short table lamp: ø21cm x h30cm – Max 60W B22

iO Medium table lamp: ø21cm x h48cm – Max 60W B22

iO Floor lamp: ø28cm x h 100cm – Max 60W B22

All lamps are NZ/AU electrical compliance certificated to **AS/NZS 60598.2.4:2005+A1 & AS/NZS 60598.1:2013**



iO<sup>2</sup> is the squared version of the original iO range. The flat sections may be extended making this series highly adaptable.

Basic Sizes:

iO<sup>2</sup> Cube 30 - L30cm x W30 cm H30cm

iO<sup>2</sup> Long 30 – L30cm x H30cm X H60cm

iO<sup>2</sup> Square 80 – L80cm x W80cm X H40cm (Requires 4 wire cable suspension. We recommend purchasing our full suspension kit with this shade)

iO<sup>2</sup> Rectangle 80 – L80cm x W30cm x H30cm (requires two suspension/drops)

Rectangular shades can be lengthened by adding/combining the following panel sizes:  
63.5cm: 26cm: 13cm

We can therefore extend rectangle lengths to achieve these sizes:

Rectangle H30cm x W30cm x L 93cm; 106cm; 143.5cm; 156.5cm; 169.5cm; 207cm etc...

NOTE: As rectangle shades increase in length, additional suspension/drops will be required. These will be confirmed by agreement as required.

## iO NIMBUS



The iO Nimbus is a larger feature piece measuring L 120cm x H40cm x  $\varnothing$ 70/50cm. It requires two suspensions but no additional support wire. Highly effective features can be created by grouping several Nimbus together

### Technical Data

Our lights have been tested to and meet AS/NZS 60598.2.1:2014

All of our iO lights are made using a premium grade NZ radiata ply in a natural finish. There is an option for black-edge finish (outside face of fin only is coloured black). Radiata is a light coloured timber with some natural variation in grain colour.

The paper diffuser is wipeable, tear resistant and non-yellowing Japanese shoji paper.

Optional suspension set in black or white [includes Powder-coated metal ceiling rose, ES27 lamp holder  $\varnothing$ 40mm and 1m cord].



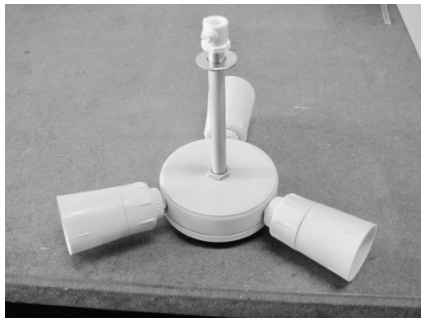
Standard 80mm powder-coated metal ceiling rose



E27 40mm snap-lock lamp-holder with threaded skirt



110mm Ceiling rose for 3-wire suspension (90cm Drum only)



Tripple Lamp Splitter – optional for larger fittings

## Electrical information

iO Floor and Table lamps are tested to:  
Portable general purpose luminaires standard - AS/NZS 60598.2.4:2005

iO Pendants are tested to: Fixed general purpose luminaires standard - AS/NZS 60598.2.1:2014

### Bulb ratings:

iO Floor and table lamps: Bayonet type B22 MAX 60W GLS

iO Flute Pendants: Edison Screw E14 MAX 40W GLS

iO Long Pendants: Edison Screw E27 MAX 60W GLS

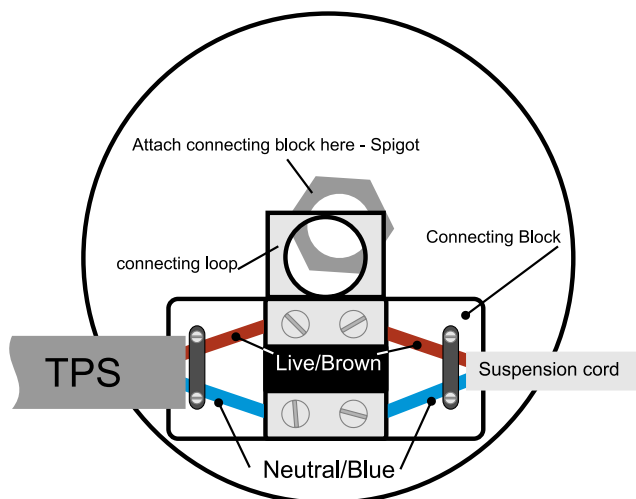
iO Drum Pendants: Edison Screw E27 MAX 100W GLS

NOTE: If the external cable or cord of this luminaire is damaged, it shall be exclusively replaced by the manufacturer or his service agent or a similar qualified person to avoid hazard. This Luminaire is suitable for indoor use only. Maximum ambient temperature  $T_a: 25^{\circ}\text{C}$

### Wiring Instructions. - (Pendants only)

#### Installation must be carried out by a qualified professional

If you have had your suspension fittings for pendant shades supplied by MAKER, you'll need to follow the wiring instructions below.



NOTE: The diagram is shown with the connecting block open. The lid of the connecting block should be closed after all connections have been made and tested prior to final fixing of the ceiling rose.

# MAKER.

Crafted in New Zealand

[www.makerdesignstudio.co.nz](http://www.makerdesignstudio.co.nz) | [f](#) [t](#) [ig](#)

See the complete range of lighting at [www.makerdesignstudio.co.nz](http://www.makerdesignstudio.co.nz)