

Designa Schist

ISSUE 2



Autumn Horizon by Austral Bricks

THE BRICKERY®

Distributors of Austral and Monier Bricks



Autumn Horizon



Black Mountain



Black Mountain



Autumn Horizon

The Beauty & Character of Stone

Introducing Austral Bricks Designa Schist - an innovative range of natural stone products that make timeless, elegant design affordable for your home or commercial project.

Designa Schist uses the finest quality, hand-selected pieces of real stone, embedded in preformed concrete modules, which are laid using a drained and ventilated cavity system, exactly as bricks have been for over a hundred years. This modular system has revolutionized the installation of natural stone, by significantly reducing the material and labour with the advantages of brick costs usually associated with traditional stone products. Designa Schist combines the certainty of brick veneer construction with the natural beauty and value adding qualities of real stone.

Designa Schist is virtually maintenance and fade free, weather resistant, energy efficient and strong. Designa Schist bricks and columns are easy to lay, unlike individual pieces of stone that must be painstakingly cut, set and mortared by a stonemason. Designa Schist is only suitable for plans that have been designed for it.



Black Mountain



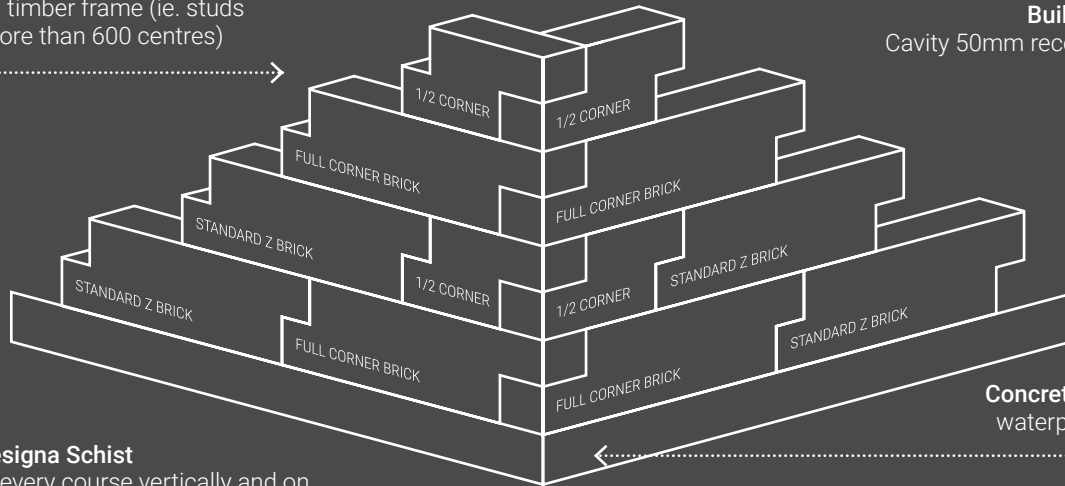
Autumn Horizon



Real Schist Made Real Simple

Timber Framing

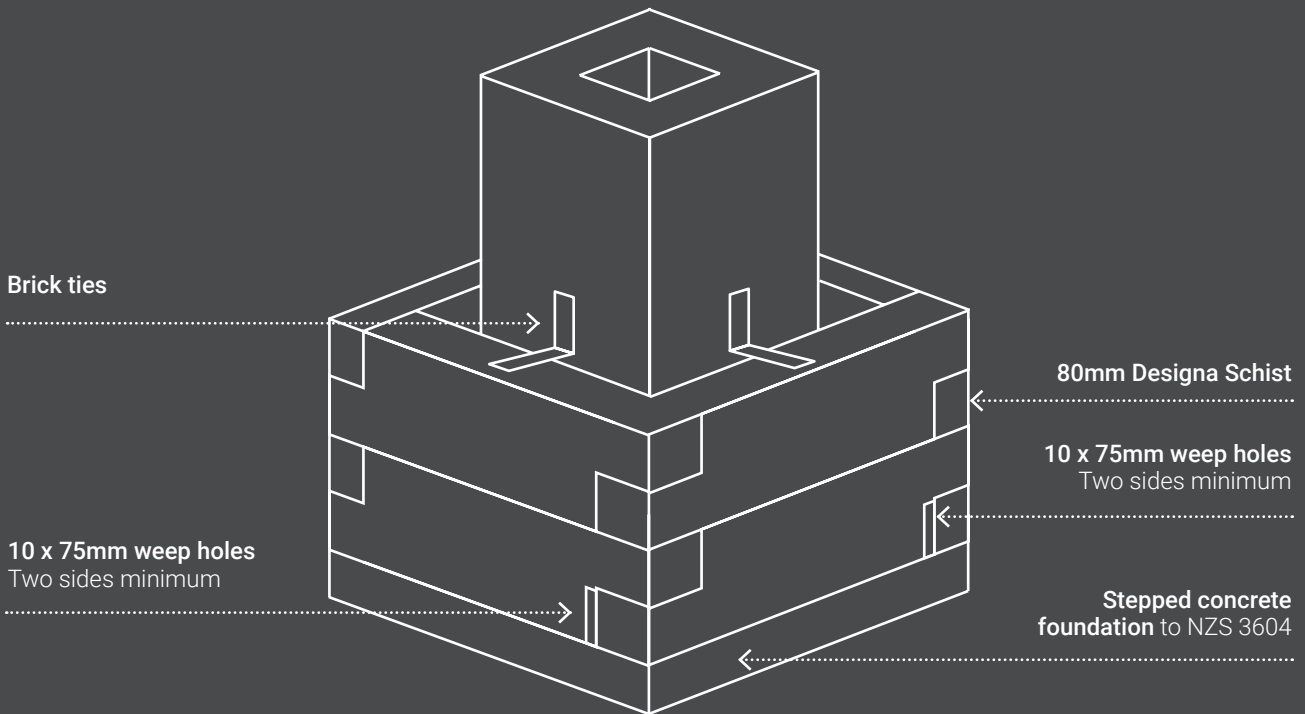
Structural timber frame (ie. studs are not more than 600 centres)



Building Paper
Cavity 50mm recommended

80mm Designa Schist

Brick ties every course vertically and on studs maximum spacing 600mm centres



Brick ties

80mm Designa Schist

10 x 75mm weep holes
Two sides minimum

10 x 75mm weep holes
Two sides minimum

Stepped concrete foundation
to NZS 3604

Where to find them

Auckland

956 Great South Rd,
Penrose, Auckland 1061
Phone: 09 579 0166

Tauranga

15 Hynds Rd,
Greerton, Tauranga 3112
Phone: 07 578 7117

Hamilton

59 Vickery St,
Te Rapa, Hamilton 3200
Phone: 07 958 4650

Christchurch

1/99 Sawyers Arms Rd,
Papanui, Christchurch 8052
Phone: 03 354 0200

0800 BRICKS • sales@thebrickery.co.nz • thebrickery.co.nz