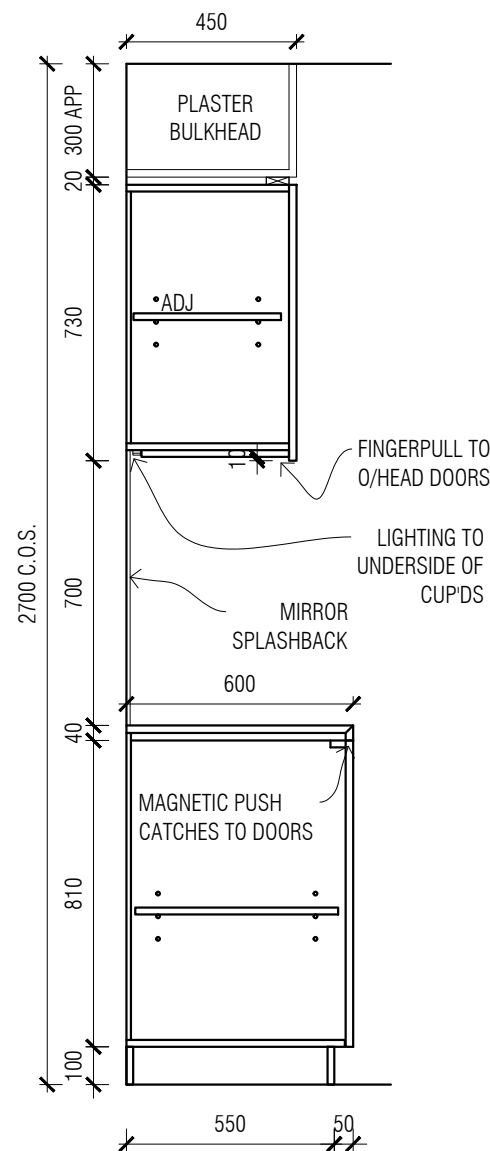
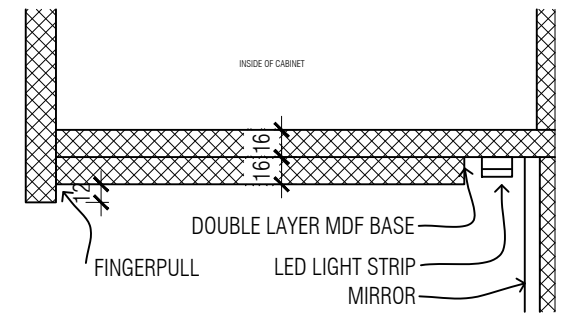


SECTION A-A



SECTION B-B



A CABINET LEDSTRIPLIGHT
SCALE 1:5

TREATMENT ROOM NOTES

BENCH TOPS

- Bench top to be Caesarstone clamshell 4130

SPLASH BACK

- Splash back to be smoke colour mirror

CABINERY

- Overhead cupboard doors to extend 12mm below base of cabinet to create finger-pull.
- Provide double layer to base of overhead cabinets to allow for fitting of LED lights under cabinet.
- Except where finger-pulls or push-catches are indicated on drawing; allow for fitting of cabinetry hardware.

CABINERY FINISHES

- All external surfaces to be finished in two-pack satin sheen in Dulux vanilla quake P14A1.
- All internal surfaces to be white melamine.

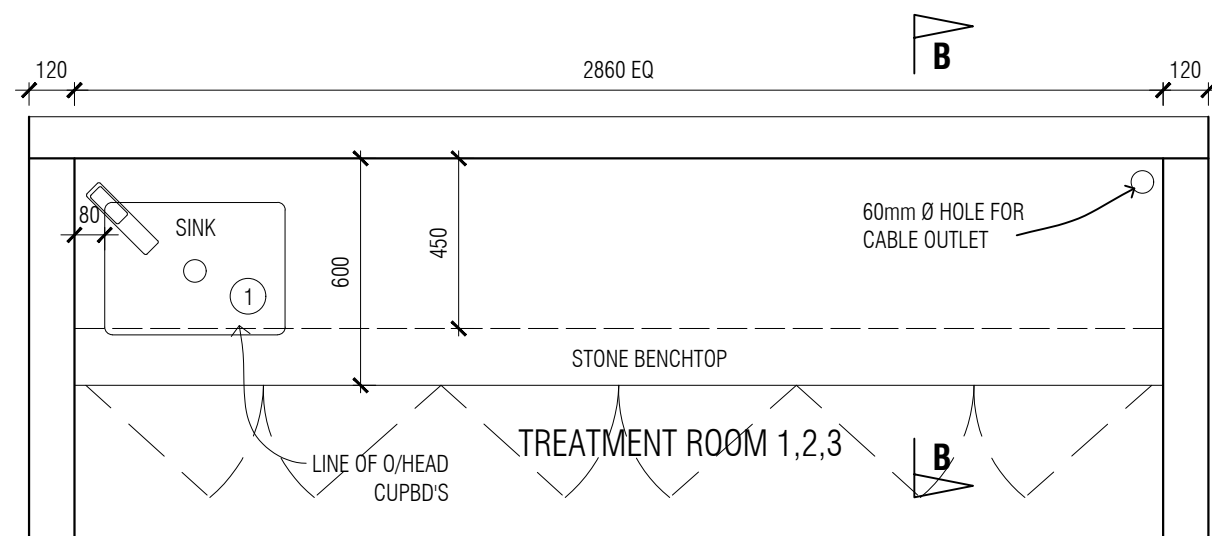
FITTINGS

- All fittings to be supplied and installed by cabinet maker
 - Adpaustralia dish under mount basin - cat # BT420
 - Reece armitage shanks piccolo extended lever basin mixer - cat # 9506251

GENERAL NOTES:

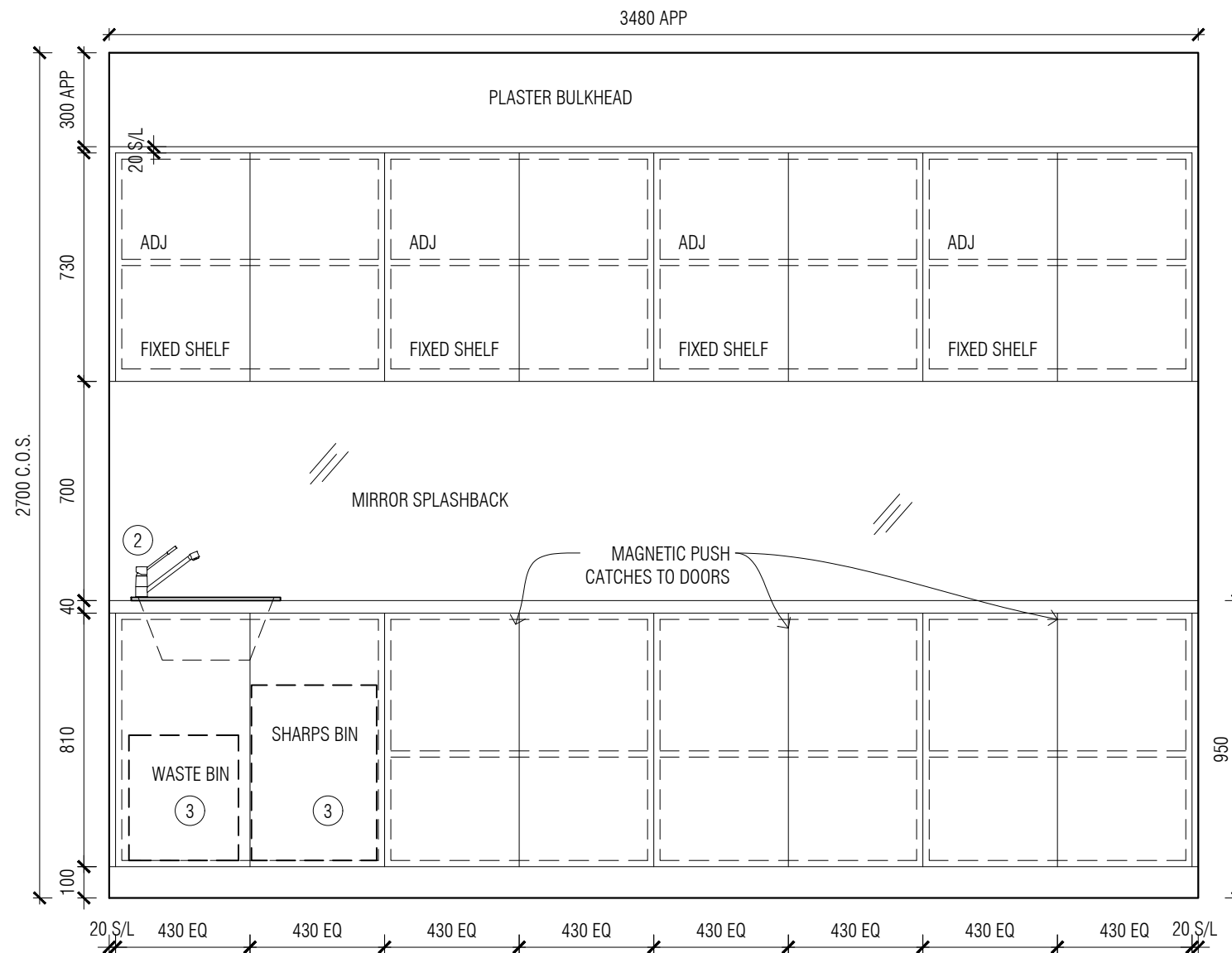
DIMENSIONS
ALL DIMENSIONS ARE TAKEN FROM FINISHED FLOOR LEVEL; CABINET-MAKER TO ALLOW FOR SELECTED FLOOR FINISH THICKNESS.

ANY OMISSIONS OR DISCREPANCIES ON THIS DRAWING, AND BETWEEN THIS DRAWING AND THE CONSTRUCTION DRAWINGS, SPECIFICATION, PRIME COST SCHEDULE, ENGINEERING DOCUMENTATION OR SITE INSTRUCTIONS, SHOULD BE REPORTED BACK TO THE ARCHITECT FOR CLARIFICATION BEFORE PROCEEDING WITH THE RELEVANT WORKS.

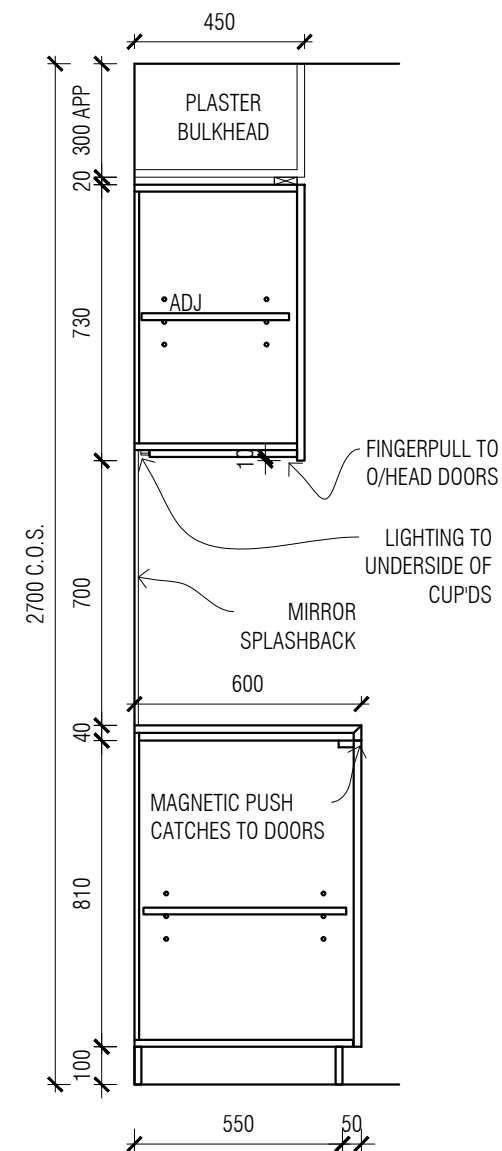


A

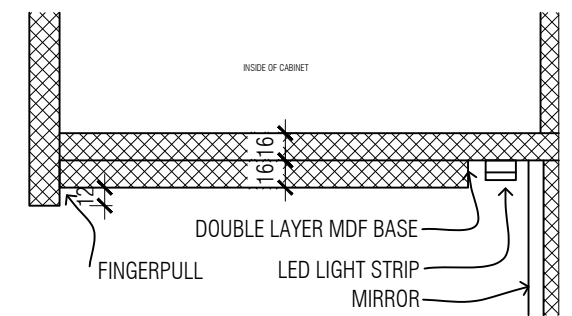
A



SECTION A-A

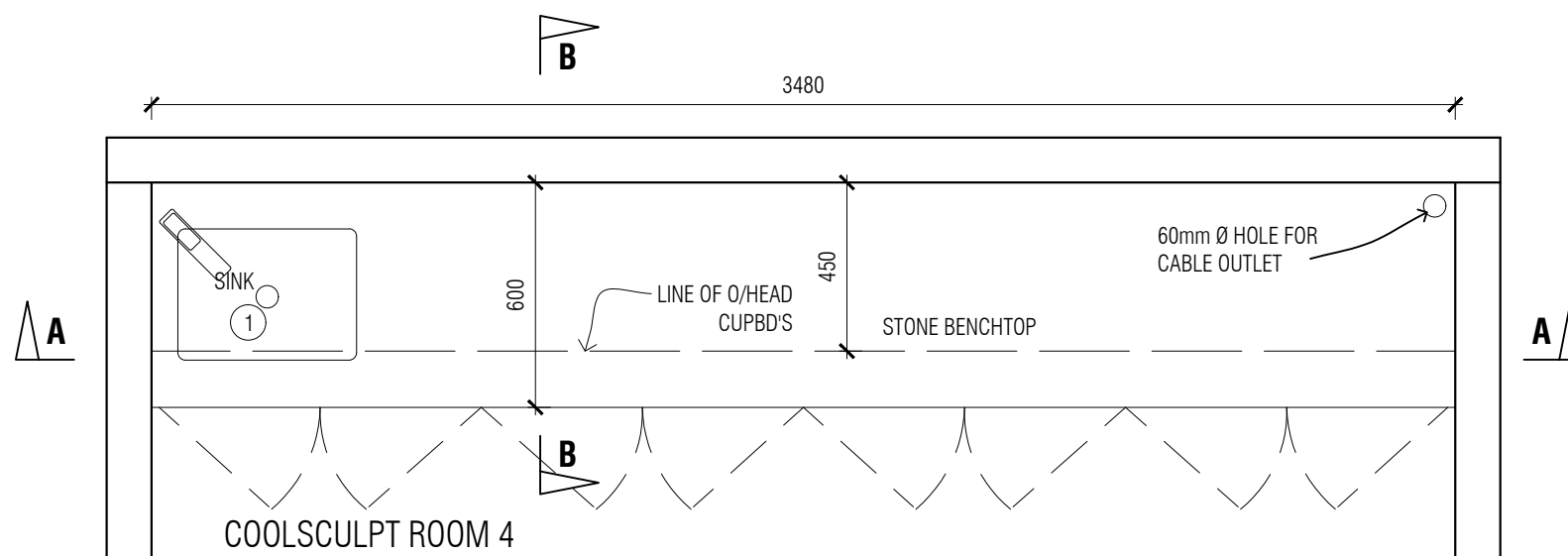


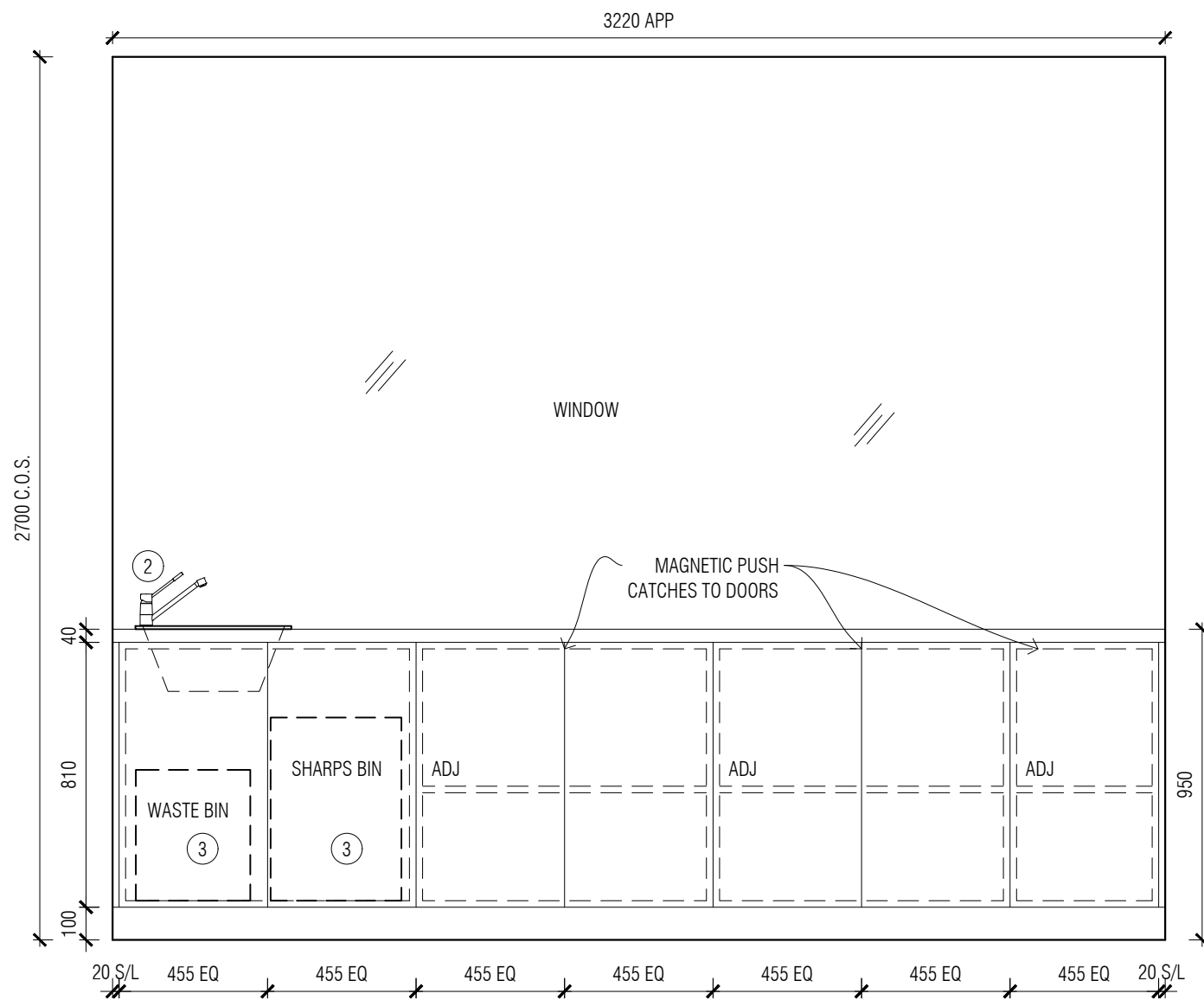
SECTION B-B



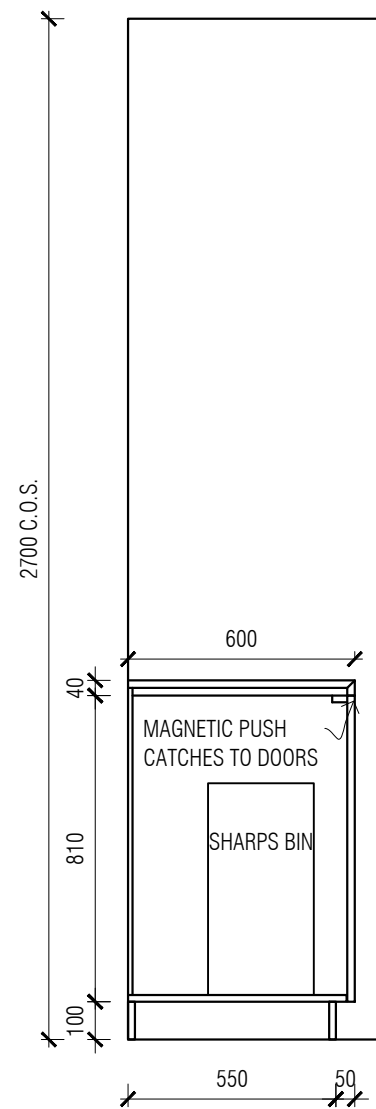
A CABINET LEDSTRIPLIGHT
SCALE 1:5

- TREATMENT ROOM NOTES**
- BENCH TOPS**
- Bench top to be Caesarstone clamshell 4130
- SPLASH BACK**
- Splash back to be smoke colour mirror
- CABINERY**
- Overhead cupboard doors to extend 12mm below base of cabinet to create finger-pull.
 - Provide double layer to base of overhead cabinets to allow for fitting of LED lights under cabinet.
 - Except where finger-pulls or push-catches are indicated on drawing; allow for fitting of cabinetry hardware.
- CABINERY FINISHES**
- All external surfaces to be finished in two-pack satin sheen in Dulux vanilla quake P14A1.
 - All internal surfaces to be white melamine.
- FITTINGS**
- All fittings to be supplied and installed by cabinet maker
 - Adpaustralia dish under mount basin - cat # BT420
 - Reece armitage shanks piccolo extended lever basin mixer - cat # 9506251

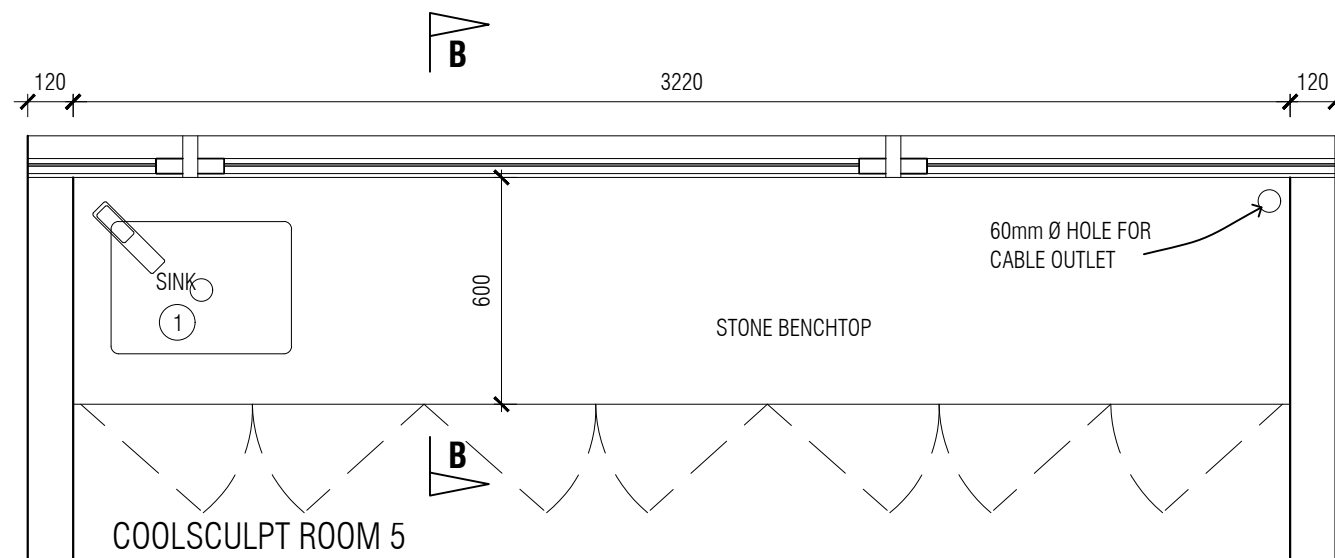




SECTION A-A

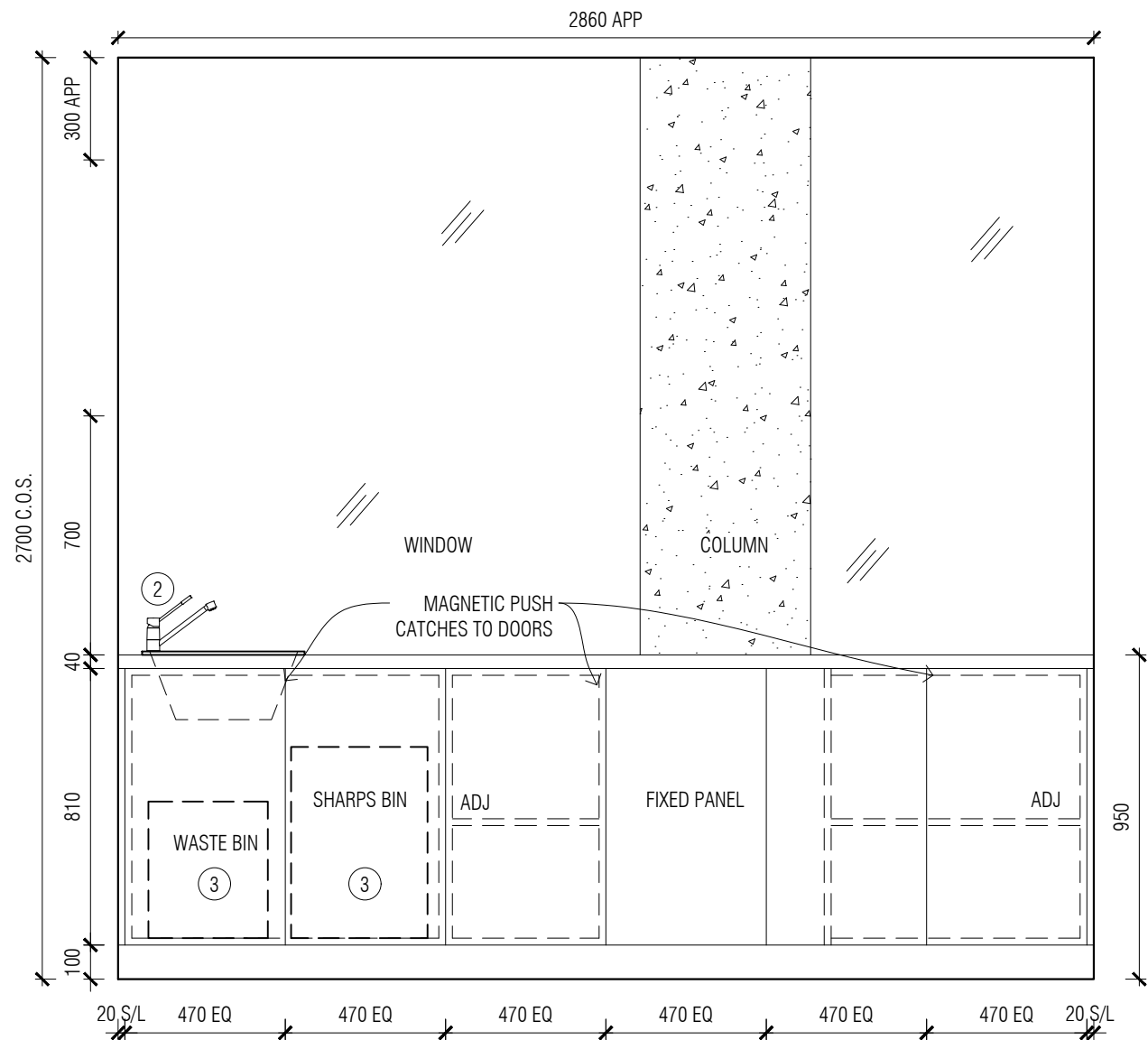


SECTION B-B

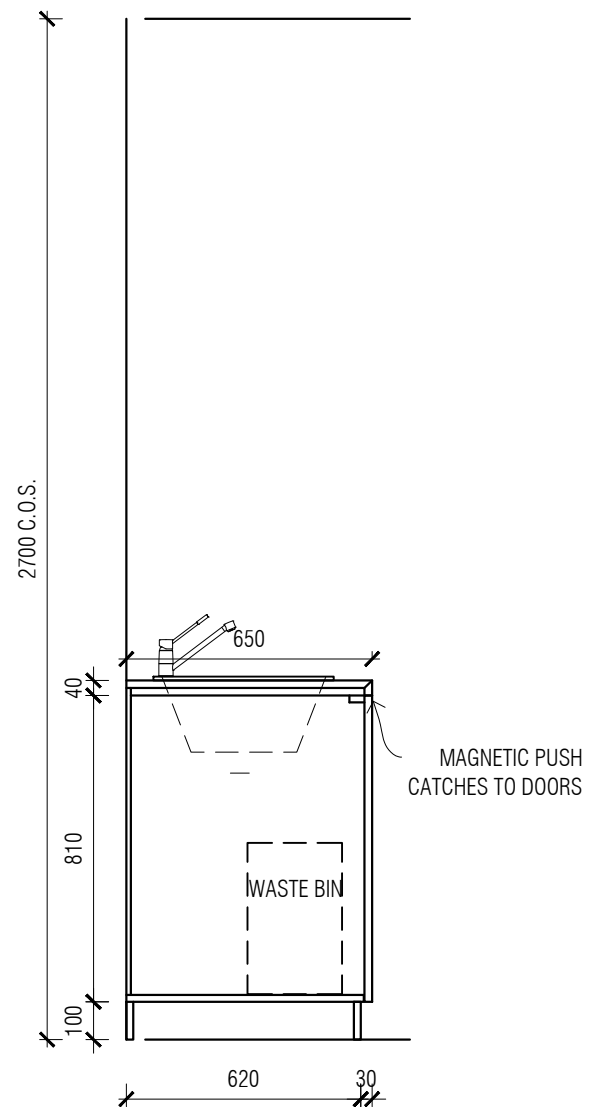


- TREATMENT ROOM NOTES**
- BENCH TOPS**
- Bench top to be Caesarstone clamshell 4130
- SPLASH BACK**
- Splash back to be smoke colour mirror
- CABINETY**
- Overhead cupboard doors to extend 12mm below base of cabinet to create finger-pull.
 - Provide double layer to base of overhead cabinets to allow for fitting of LED lights under cabinet.
 - Except where finger-pulls or push-catches are indicated on drawing; allow for fitting of cabinetry hardware.
- CABINETY FINISHES**
- All external surfaces to be finished in two-pack satin sheen in Dulux vanilla quake P14A1.
 - All internal surfaces to be white melamine.
- FITTINGS**
- All fittings to be supplied and installed by cabinet maker
 - 1. Adpaustralia dish under mount basin - cat # BT420
 - 2. Reece armitage shanks piccolo extended lever basin mixer - cat # 9506251

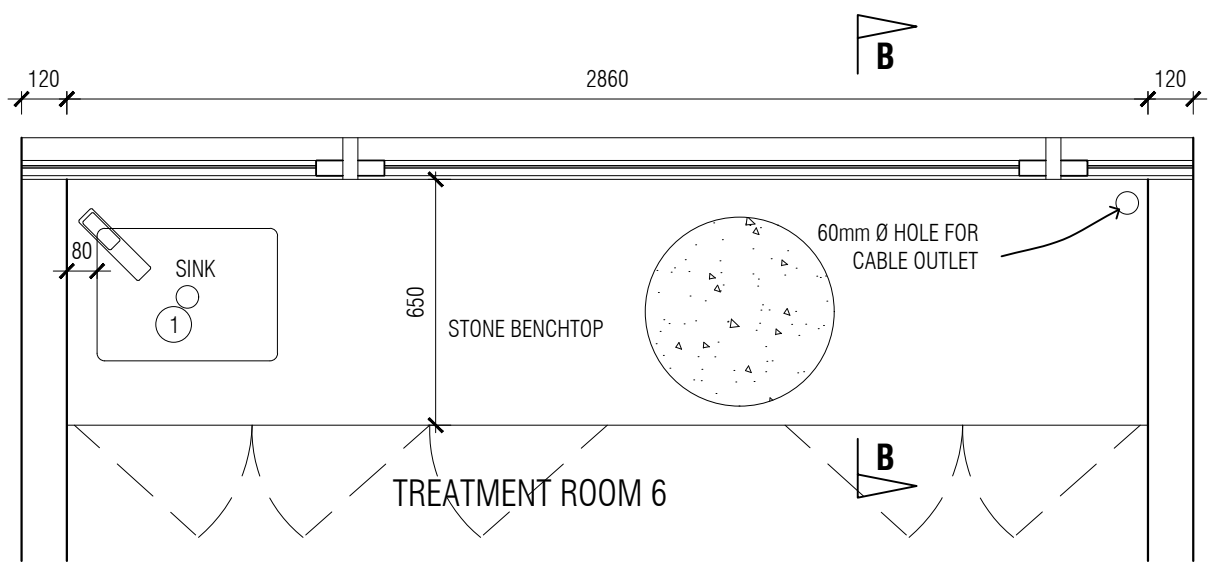
- GENERAL NOTES:**
- DIMENSIONS**
ALL DIMENSIONS ARE TAKEN FROM FINISHED FLOOR LEVEL; CABINET-MAKER TO ALLOW FOR SELECTED FLOOR FINISH THICKNESS.
- ANY OMISSIONS OR DISCREPANCIES ON THIS DRAWING, AND BETWEEN THIS DRAWING AND THE CONSTRUCTION DRAWINGS, SPECIFICATION, PRIME COST SCHEDULE, ENGINEERING DOCUMENTATION OR SITE INSTRUCTIONS, SHOULD BE REPORTED BACK TO THE ARCHITECT FOR CLARIFICATION BEFORE PROCEEDING WITH THE RELEVANT WORKS.



SECTION A-A



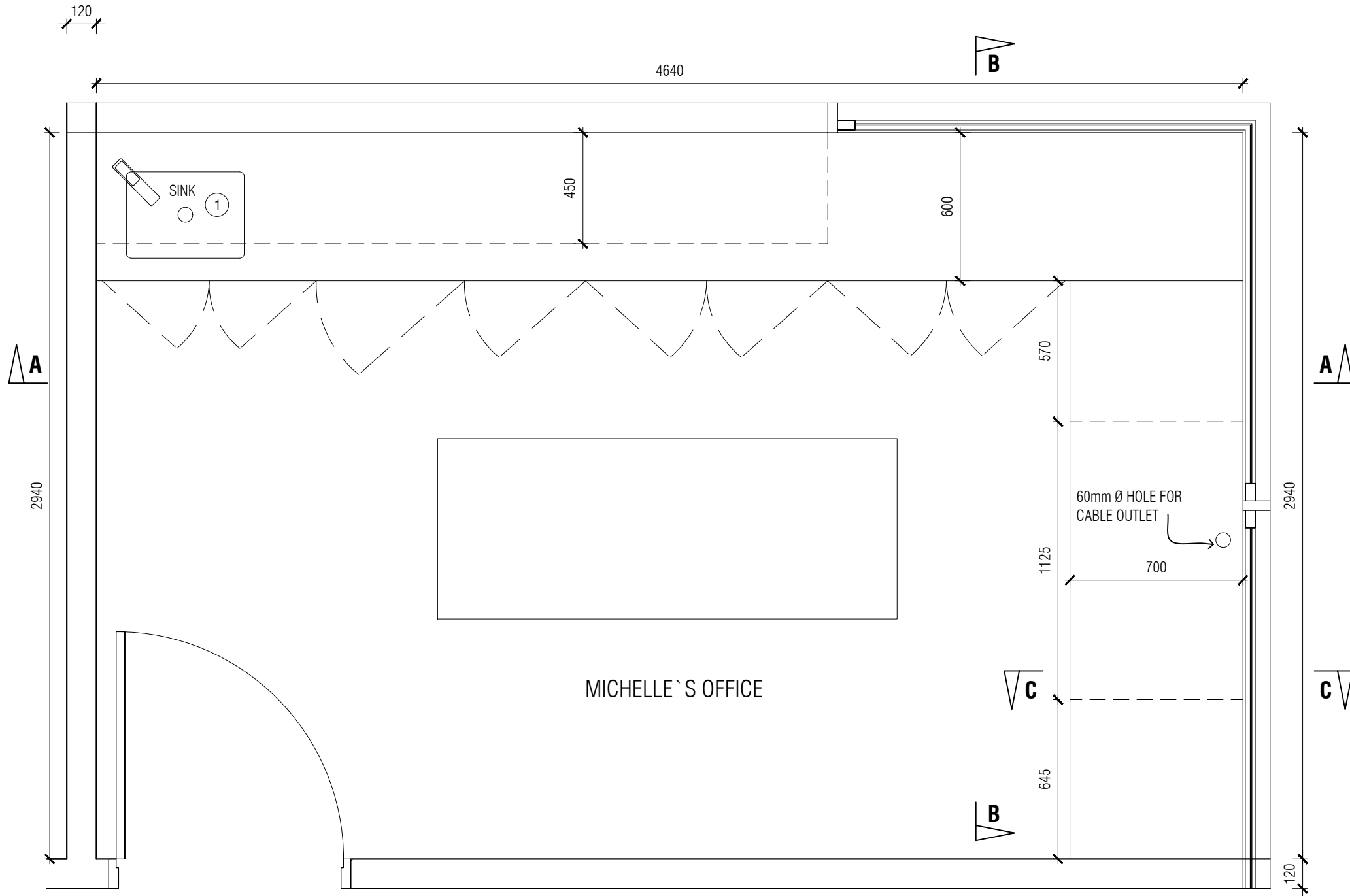
SECTION B-B



TREATMENT ROOM 6

- TREATMENT ROOM NOTES**
- BENCH TOPS**
- Bench top to be Caesarstone clamshell 4130
- SPLASH BACK**
- Splash back to be smoke colour mirror
- CABINERY**
- Overhead cupboard doors to extend 12mm below base of cabinet to create finger-pull.
 - Provide double layer to base of overhead cabinets to allow for fitting of LED lights under cabinet.
 - Except where finger-pulls or push-catches are indicated on drawing; allow for fitting of cabinetry hardware.
- CABINERY FINISHES**
- All external surfaces to be finished in two-pack satin sheen in Dulux vanilla quake P14A1.
 - All internal surfaces to be white melamine.
- FITTINGS**
- All fittings to be supplied and installed by cabinet maker
 - 1. Adpaustralia dish under mount basin - cat # BT420
 - 2. Reece armitage shanks piccolo extended lever basin mixer - cat # 9506251

- GENERAL NOTES:**
- DIMENSIONS**
ALL DIMENSIONS ARE TAKEN FROM FINISHED FLOOR LEVEL; CABINET-MAKER TO ALLOW FOR SELECTED FLOOR FINISH THICKNESS.
- ANY OMISSIONS OR DISCREPANCIES ON THIS DRAWING, AND BETWEEN THIS DRAWING AND THE CONSTRUCTION DRAWINGS, SPECIFICATION, PRIME COST SCHEDULE, ENGINEERING DOCUMENTATION OR SITE INSTRUCTIONS, SHOULD BE REPORTED BACK TO THE ARCHITECT FOR CLARIFICATION BEFORE PROCEEDING WITH THE RELEVANT WORKS.



ALL DRAWERS, DOORS AND OVERHEAD CABINETS TO BE LOCKABLE.

MICHELLE'S OFFICE NOTES

BENCH TOPS

- Bench top to be Caesarstone clamshell 4130.

SPLASH BACK

- Splash back to be smoke colour mirror.

CABINETRY

- Overhead cupboard doors to extend 12mm below base of cabinet to create finger-pull.
- Provide double layer to base of overhead cabinets to allow for fitting of LED lights under cabinet.
- Except where finger-pulls or push-catches are indicated on drawing; allow for fitting of cabinetry hardware.
- No side panels or infill panels to be visible.
- File drawers to be fitted with Blum 'MetaFile', (or equivalent to match drawers).
- All drawers, cupboard doors and overhead cabinets to be lockable.

CABINETRY FINISHES

- All external surfaces to be finished in two-pack satin sheen in Dulux vanilla quake P14A1
- All internal surfaces to be white melamine.

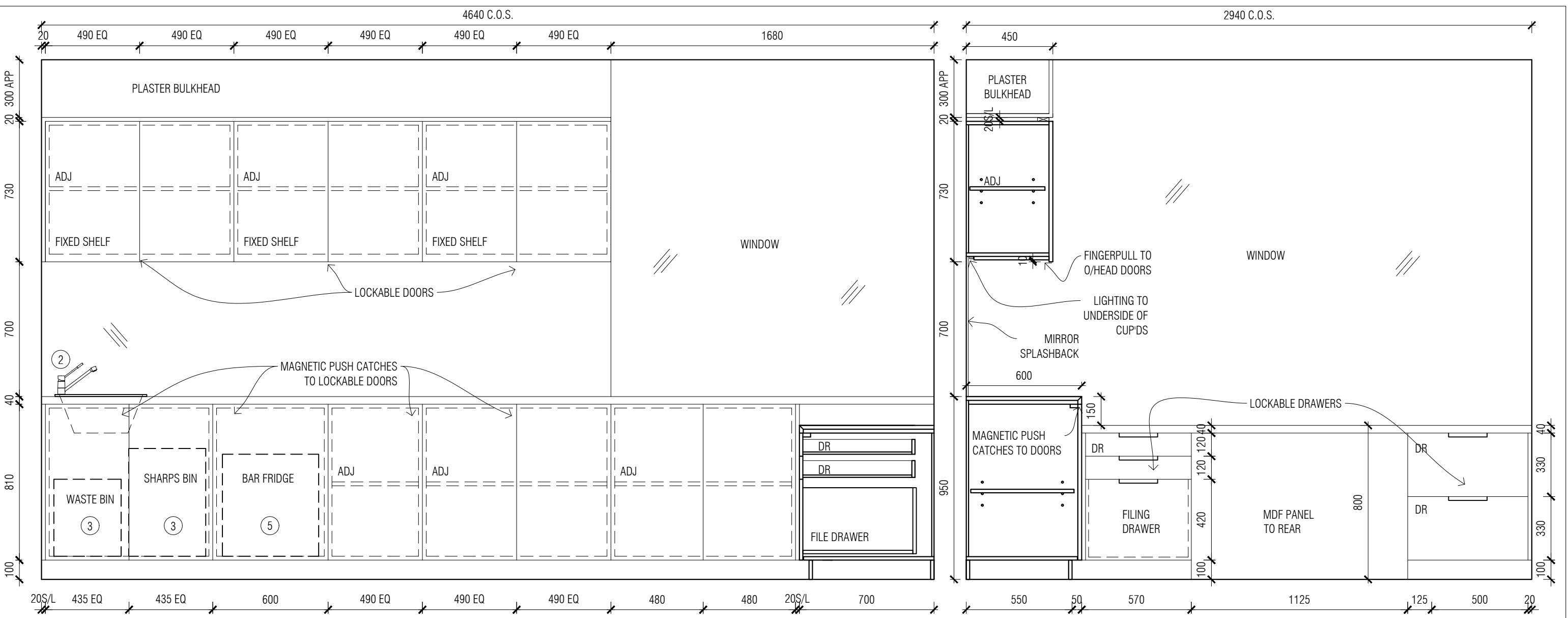
FITTINGS

- All fittings to be supplied and installed by cabinet maker
- 1. Reece AFA flow undermount kitchen sink - cat # 2000397
- 2. Reece porcher saga pull out sink mixer - cat # 9502006
- 3. Haier white bar refrigerator - cat # HBF55W

GENERAL NOTES:

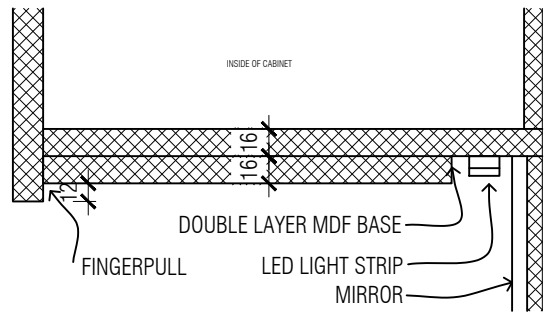
DIMENSIONS
ALL DIMENSIONS ARE TAKEN FROM FINISHED FLOOR LEVEL; CABINET-MAKER TO ALLOW FOR SELECTED FLOOR FINISH THICKNESS.

ANY OMISSIONS OR DISCREPANCIES ON THIS DRAWING, AND BETWEEN THIS DRAWING AND THE CONSTRUCTION DRAWINGS, SPECIFICATION, PRIME COST SCHEDULE, ENGINEERING DOCUMENTATION OR SITE INSTRUCTIONS, SHOULD BE REPORTED BACK TO THE ARCHITECT FOR CLARIFICATION BEFORE PROCEEDING WITH THE RELEVANT WORKS.



SECTION A-A

SECTION B-B



A CABINET LEDSTRIPLIGHT
SCALE 1:5

ALL DRAWERS, DOORS AND OVERHEAD CABINETS TO BE LOCKABLE.

GENERAL NOTES:
 DIMENSIONS
 ALL DIMENSIONS ARE TAKEN FROM FINISHED FLOOR LEVEL; CABINET-MAKER TO ALLOW FOR SELECTED FLOOR FINISH THICKNESS.
 ANY OMISSIONS OR DISCREPANCIES ON THIS DRAWING, AND BETWEEN THIS DRAWING AND THE CONSTRUCTION DRAWINGS, SPECIFICATION, PRIME COST SCHEDULE, ENGINEERING DOCUMENTATION OR SITE INSTRUCTIONS, SHOULD BE REPORTED BACK TO THE ARCHITECT FOR CLARIFICATION BEFORE PROCEEDING WITH THE RELEVANT WORKS.

MICHELLE'S OFFICE NOTES

BENCH TOPS

- Bench top to be Caesarstone clamshell 4130.

SPLASH BACK

- Splash back to be smoke colour mirror.

CABINERY

- Overhead cupboard doors to extend 12mm below base of cabinet to create finger-pull.
- Provide double layer to base of overhead cabinets to allow for fitting of LED lights under cabinet.
- Except where finger-pulls or push-catches are indicated on drawing; allow for fitting of cabinetry hardware.
- No side panels or infill panels to be visible.
- File drawers to be fitted with Blum 'MetaFile', (or equivalent to match drawers).
- All drawers, cupboard doors and overhead cabinets to be lockable.

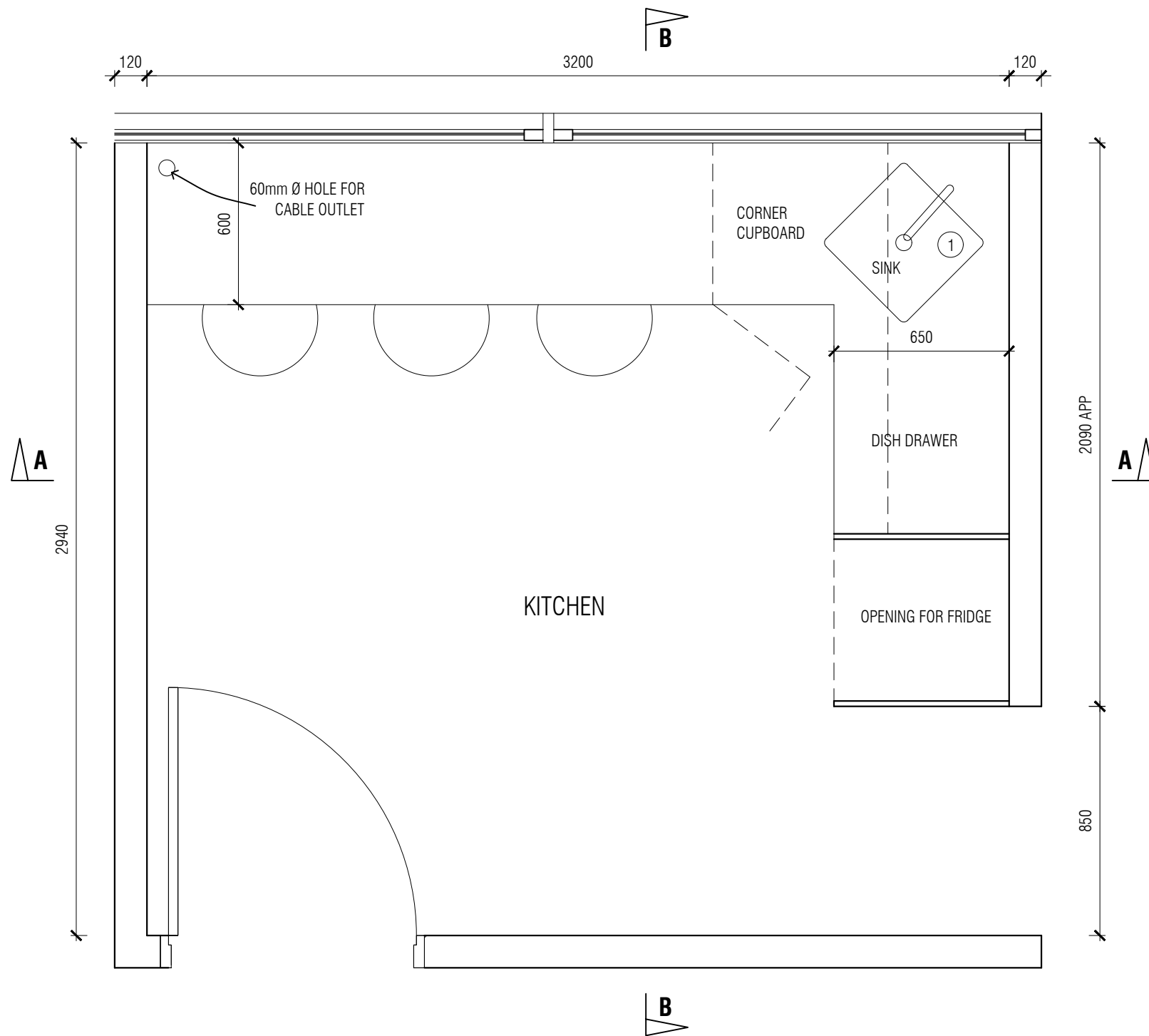
CABINERY FINISHES

- All external surfaces to be finished in two-pack satin sheen in Dulux vanilla quake P14A1
- All internal surfaces to be white melamine.

FITTINGS

- All fittings to be supplied and installed by cabinet maker

- Reece AFA flow undermount kitchen sink - cat # 2000397
- Reece porcher saga pull out sink mixer - cat # 9502006
- Haier white bar refrigerator - cat # HBF55W



KITCHEN NOTES

BENCH TOPS

- Bench top to be laminex antarctic stone diamond gloss finish

SPLASH BACK

- Splash back to be laminex metaline colour smoked silver perle

CABINERY

- Overhead cupboard doors to extend 12mm below base of cabinet to create finger-pull.
- Provide double layer to base of overhead cabinets to allow for fitting of LED lights under cabinet.
- Except where finger-pulls or push-catches are indicated on drawing; allow for fitting of cabinetry hardware.

CABINERY FINISHES

- All external surfaces to be finished in two-pack satin sheen in Dulux vanilla quake P14A1.
- All internal surfaces to be white melamine.

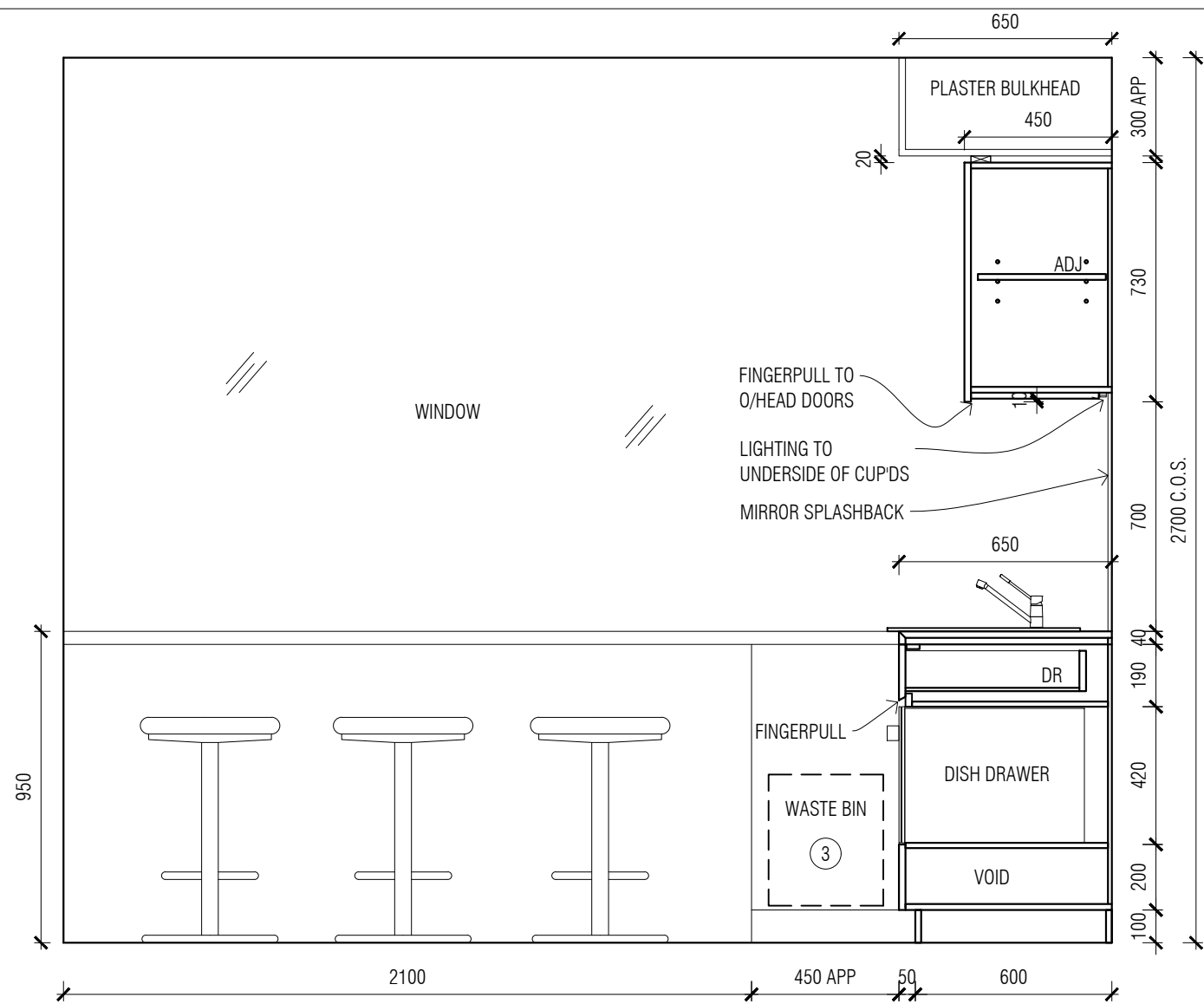
FITTINGS

- All fittings to be supplied and installed by cabinet maker
- 1. Reece AFA flow undermount kitchen sink - cat # 2000397
- 2. Reece porcher saga pull out sink mixer - cat # 9502006

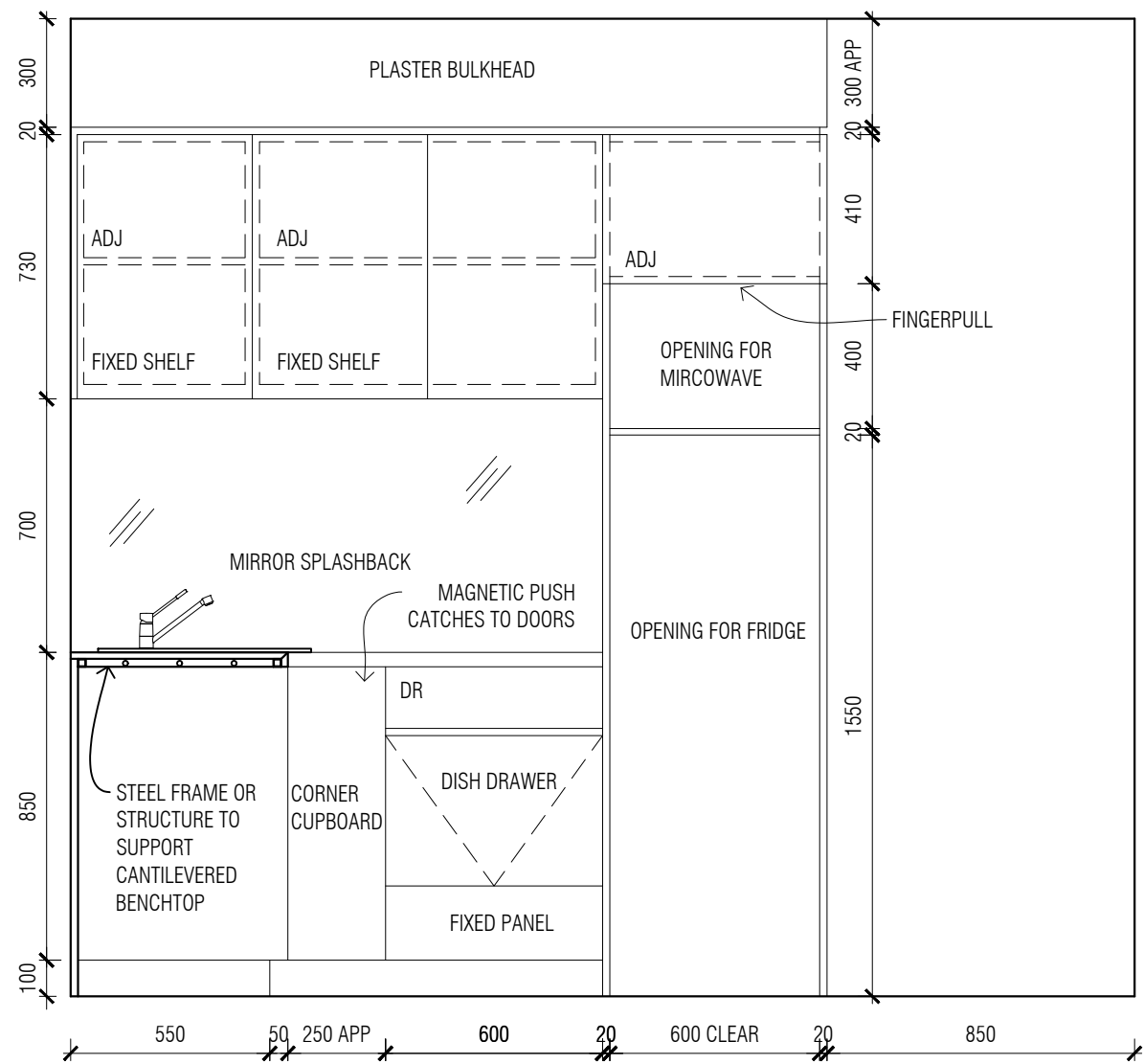
GENERAL NOTES:

DIMENSIONS
ALL DIMENSIONS ARE TAKEN FROM FINISHED FLOOR LEVEL; CABINET-MAKER TO ALLOW FOR SELECTED FLOOR FINISH THICKNESS.

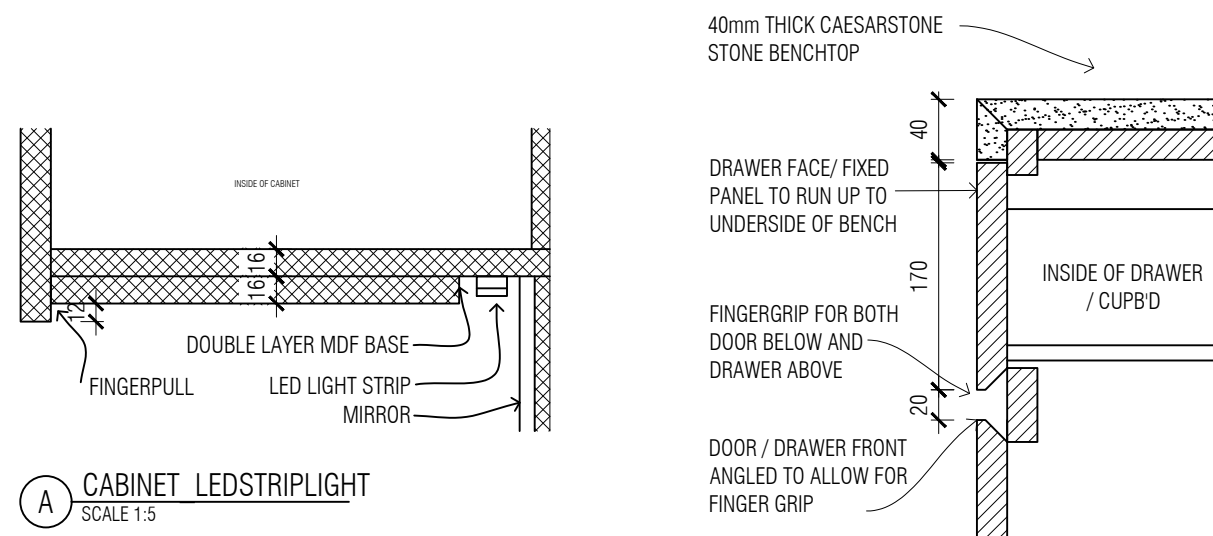
ANY OMISSIONS OR DISCREPANCIES ON THIS DRAWING, AND BETWEEN THIS DRAWING AND THE CONSTRUCTION DRAWINGS, SPECIFICATION, PRIME COST SCHEDULE, ENGINEERING DOCUMENTATION OR SITE INSTRUCTIONS, SHOULD BE REPORTED BACK TO THE ARCHITECT FOR CLARIFICATION BEFORE PROCEEDING WITH THE RELEVANT WORKS.



SECTION A-A



SECTION B-B



A CABINET LEDSTRIPLIGHT
SCALE 1:5

B LAUNDRY BENCHTOP
SCALE 1:5 — TYPICAL DETAIL

KITCHEN NOTES

BENCH TOPS

- Bench top to be laminex antarctic stone diamond gloss finish

SPLASH BACK

- Splash back to be laminex metaline colour smoked silver perle

CABINETRY

- Overhead cupboard doors to extend 12mm below base of cabinet to create finger-pull.
- Provide double layer to base of overhead cabinets to allow for fitting of LED lights under cabinet.
- Except where finger-pulls or push-catches are indicated on drawing; allow for fitting of cabinetry hardware.

CABINETRY FINISHES

- All external surfaces to be finished in two-pack satin sheen in Dulux vanilla quake P14A1.
- All internal surfaces to be white melamine.

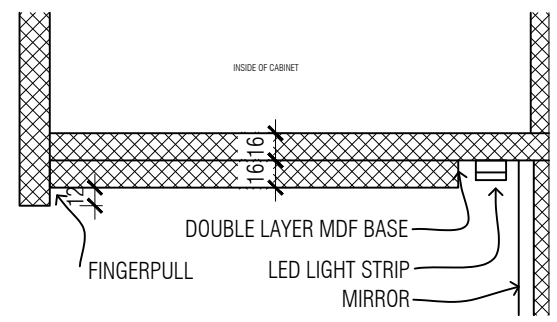
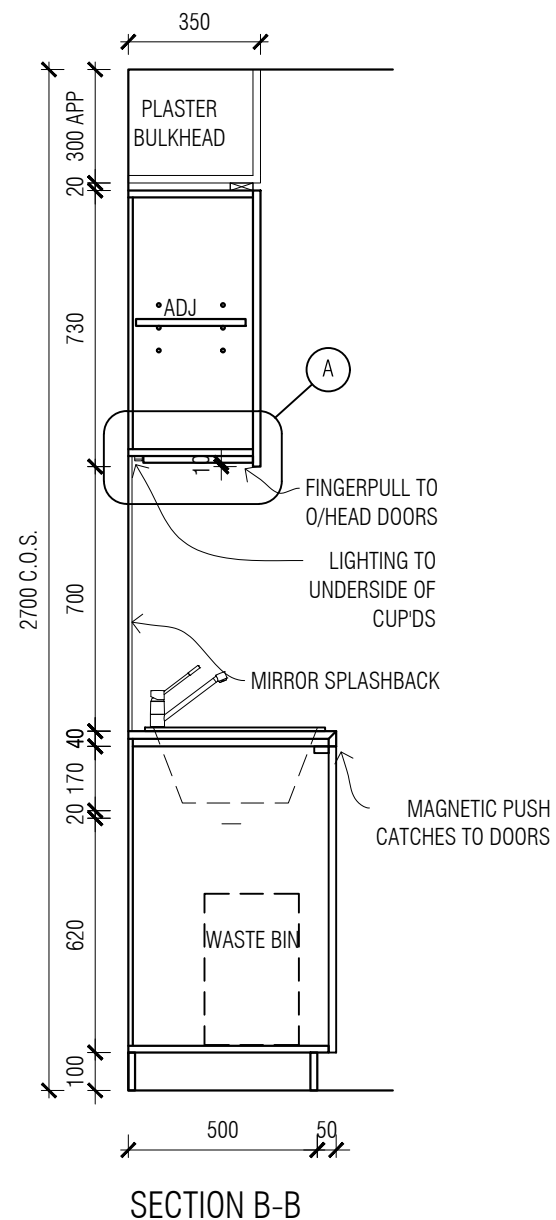
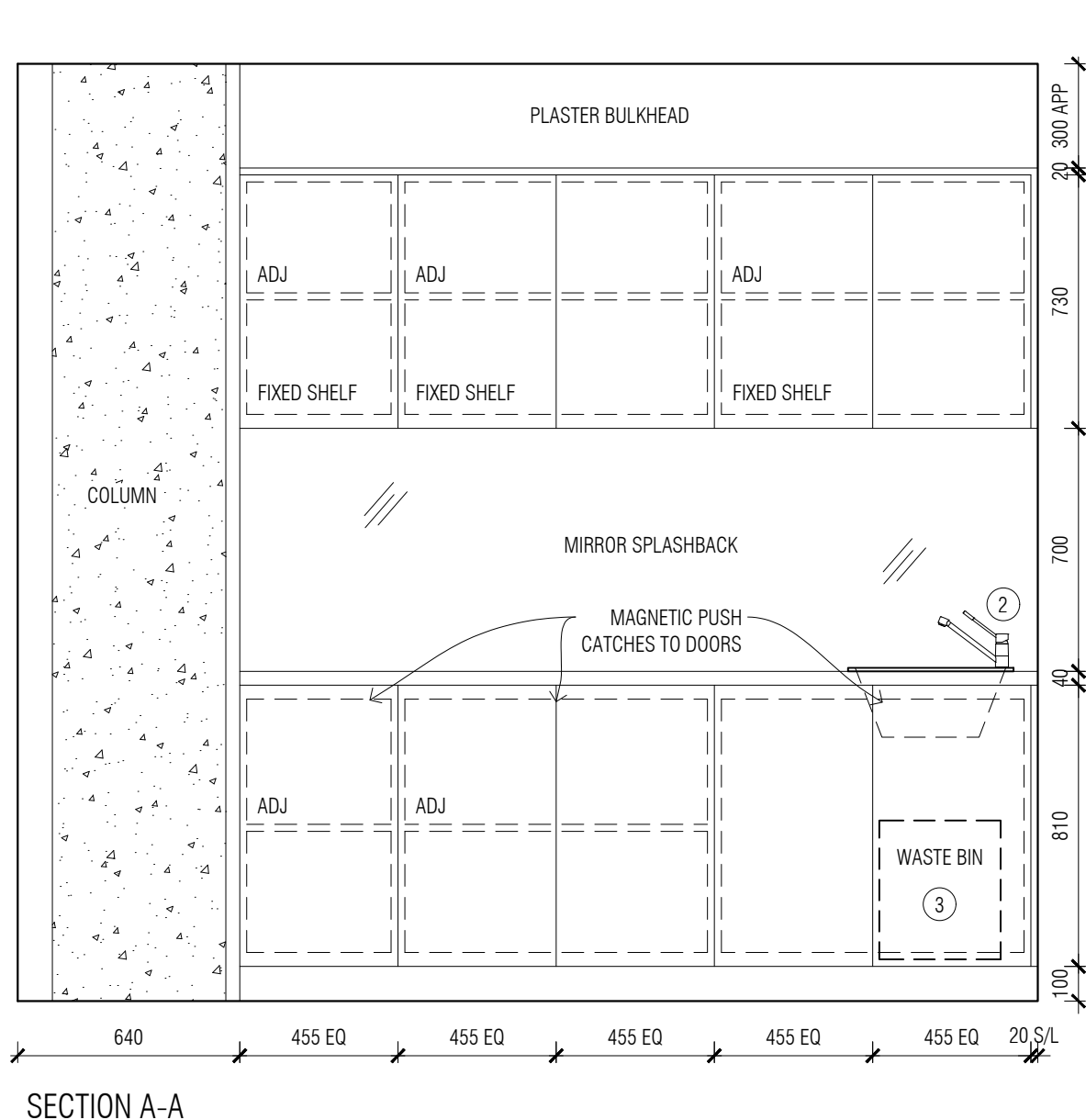
FITTINGS

- All fittings to be supplied and installed by cabinet maker
- 1. Reece AFA flow undermount kitchen sink - cat # 2000397
- 2. Reece porcher saga pull out sink mixer - cat # 9502006

GENERAL NOTES:

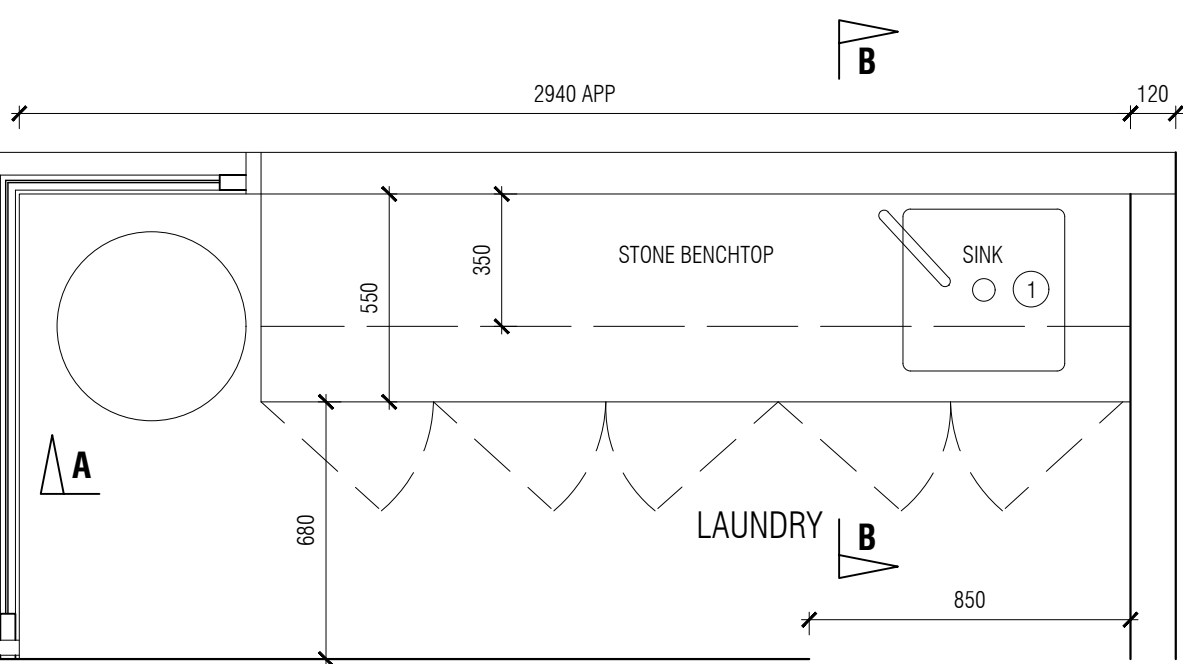
DIMENSIONS
ALL DIMENSIONS ARE TAKEN FROM FINISHED FLOOR LEVEL; CABINET-MAKER TO ALLOW FOR SELECTED FLOOR FINISH THICKNESS.

ANY OMISSIONS OR DISCREPANCIES ON THIS DRAWING, AND BETWEEN THIS DRAWING AND THE CONSTRUCTION DRAWINGS, SPECIFICATION, PRIME COST SCHEDULE, ENGINEERING DOCUMENTATION OR SITE INSTRUCTIONS, SHOULD BE REPORTED BACK TO THE ARCHITECT FOR CLARIFICATION BEFORE PROCEEDING WITH THE RELEVANT WORKS.

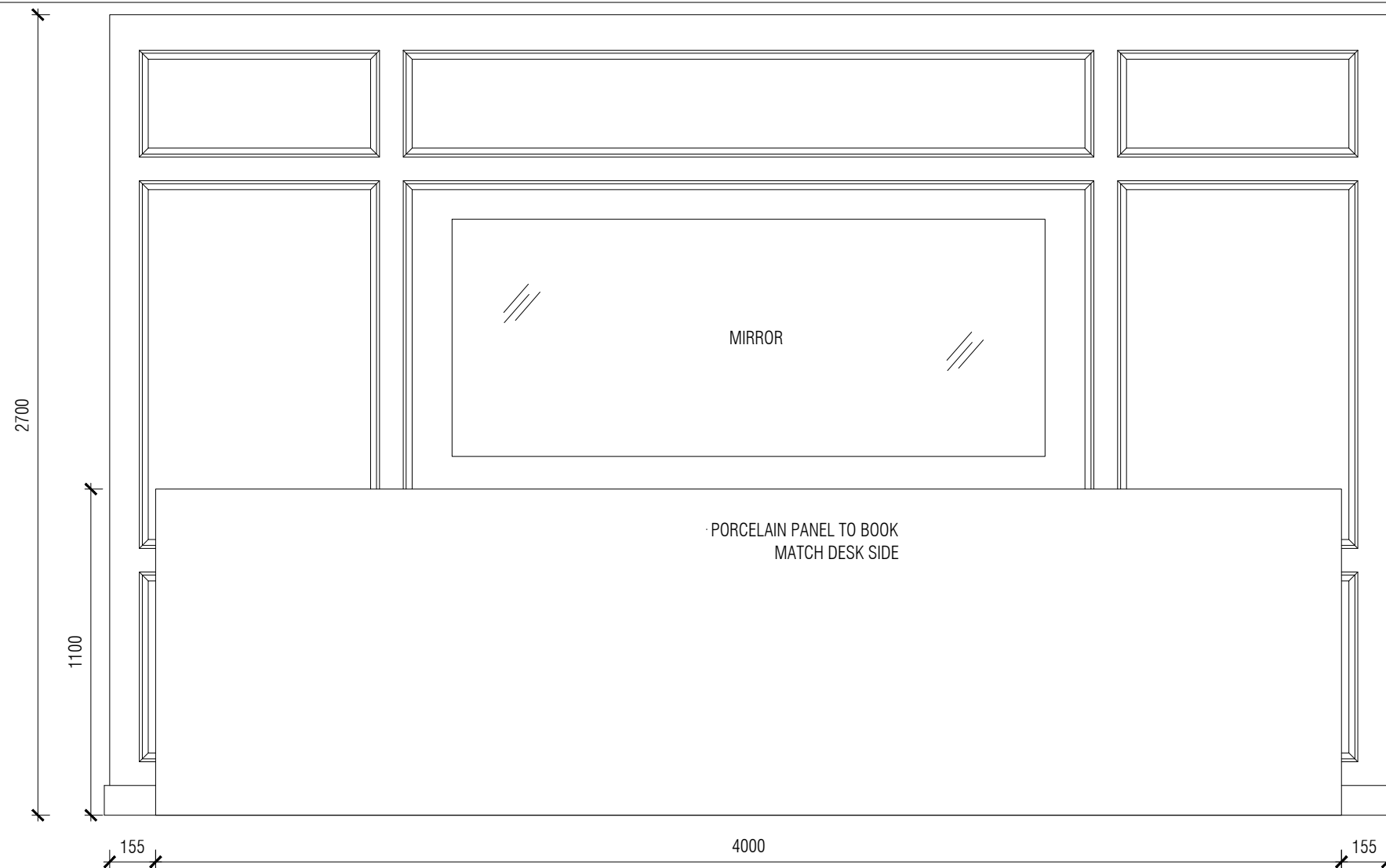


A CABINET LEDSTRIPLIGHT
SCALE 1:5

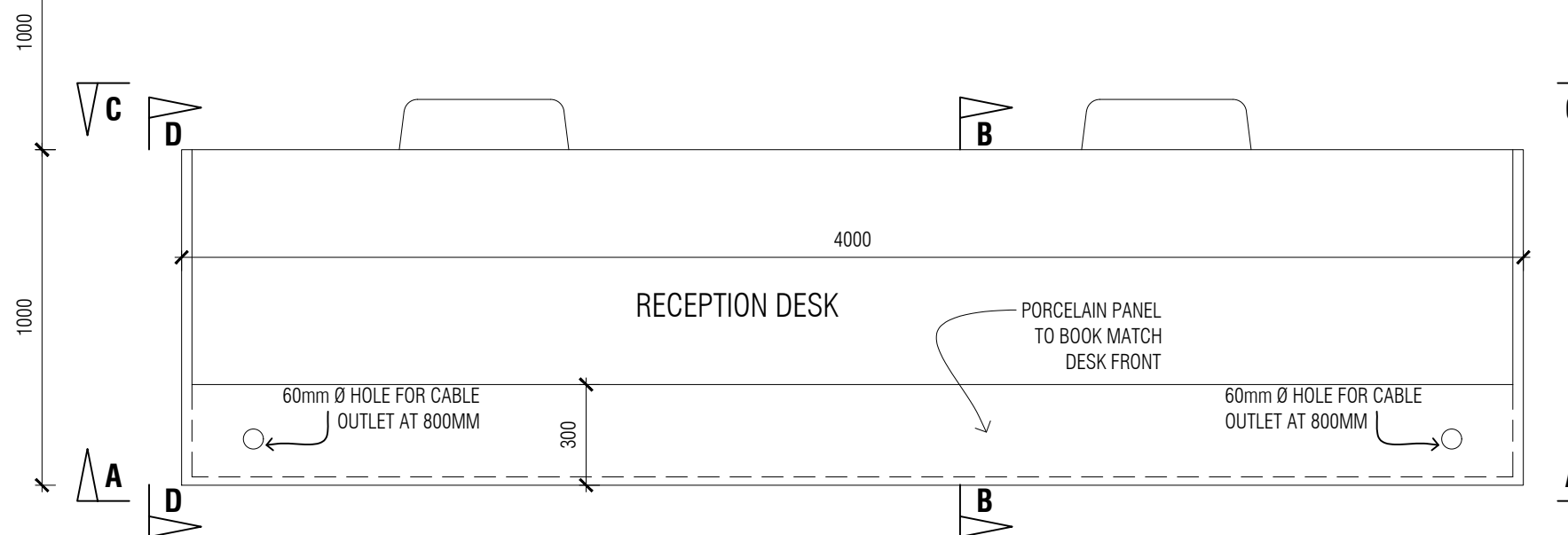
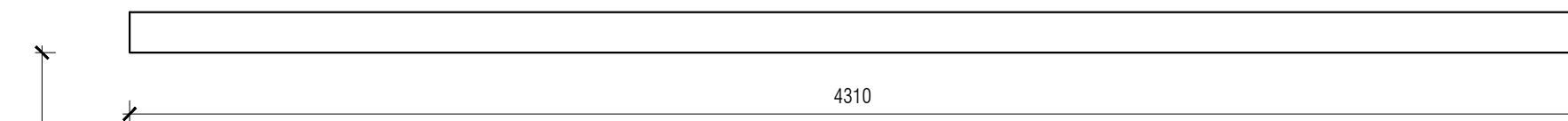
- LAUNDRY NOTES**
- BENCH TOPS**
- Bench top to be laminex antarctic stone diamond gloss finish
- SPLASH BACK**
- Splash back to be laminex metaline colour smoked silver perle
- CABINETRY**
- Overhead cupboard doors to extend 12mm below base of cabinet to create finger-pull.
 - Provide double layer to base of overhead cabinets to allow for fitting of LED lights under cabinet.
 - Except where finger-pulls or push-catches are indicated on drawing; allow for fitting of cabinetry hardware.
- CABINETRY FINISHES**
- All external surfaces to be finished in two-pack satin sheen in Dulux vanilla quake P14A1
 - All internal surfaces to be white melamine.
- FITTINGS**
- All fittings to be supplied and installed by cabinet maker
- Reece AFA flow undermount kitchen sink - cat # 2000397
 - Reece porcher saga pull out sink mixer - cat # 9502006
 -



- GENERAL NOTES:**
- DIMENSIONS**
ALL DIMENSIONS ARE TAKEN FROM FINISHED FLOOR LEVEL; CABINET-MAKER TO ALLOW FOR SELECTED FLOOR FINISH THICKNESS.
- ANY OMISSIONS OR DISCREPANCIES ON THIS DRAWING, AND BETWEEN THIS DRAWING AND THE CONSTRUCTION DRAWINGS, SPECIFICATION, PRIME COST SCHEDULE, ENGINEERING DOCUMENTATION OR SITE INSTRUCTIONS, SHOULD BE REPORTED BACK TO THE ARCHITECT FOR CLARIFICATION BEFORE PROCEEDING WITH THE RELEVANT WORKS.

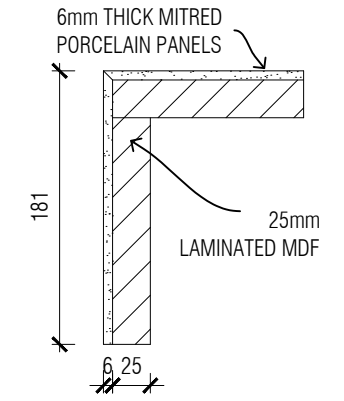
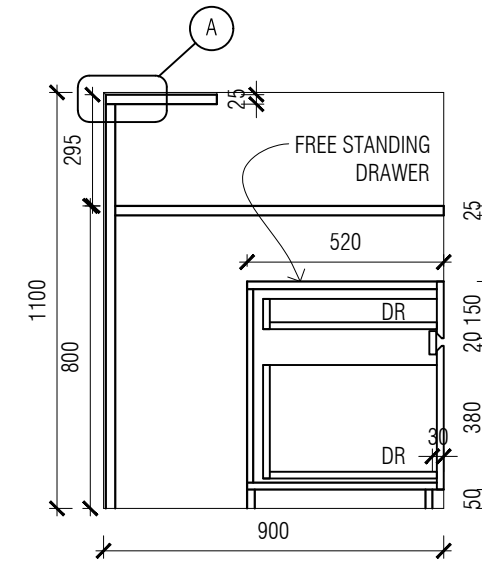
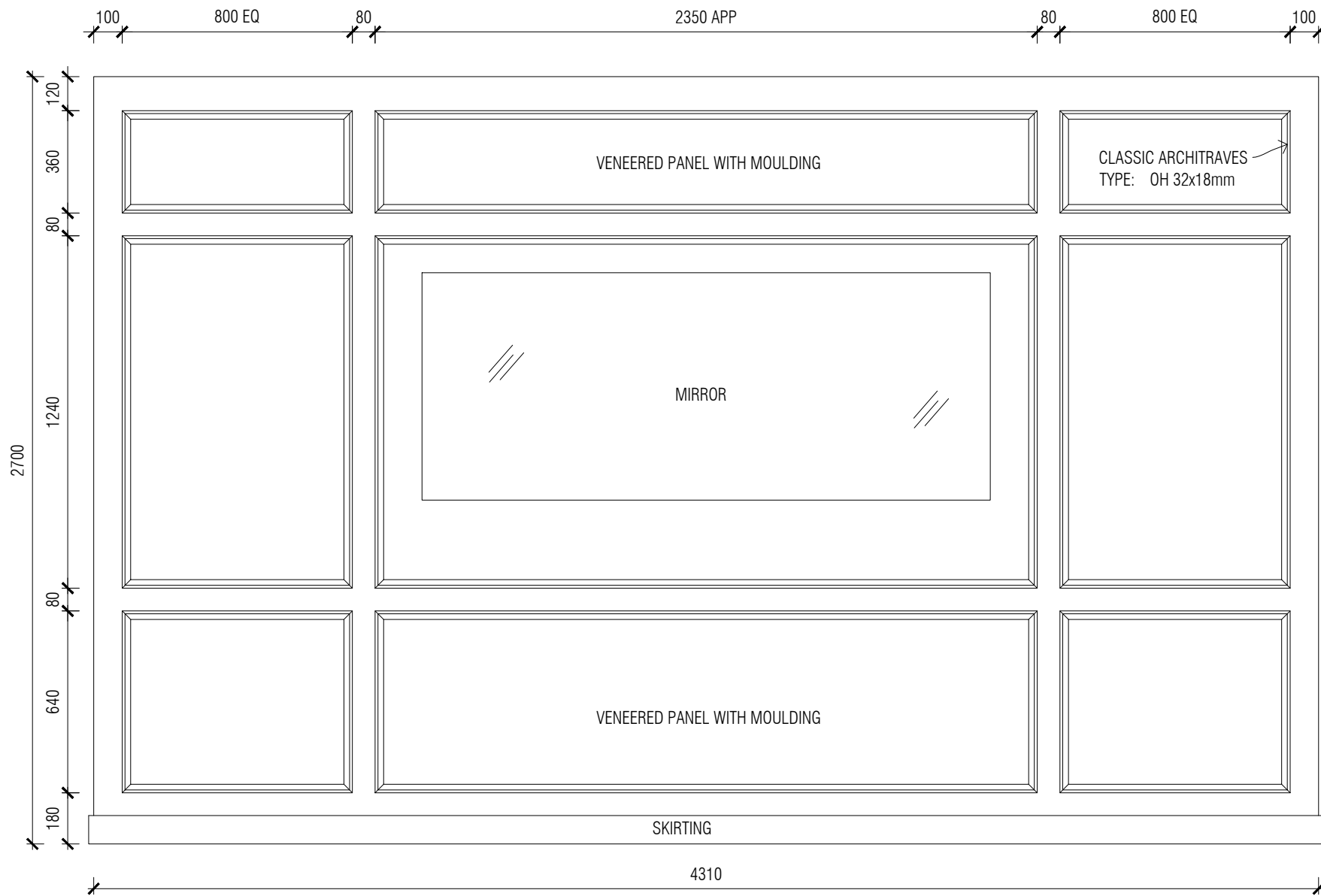


SECTION A-A



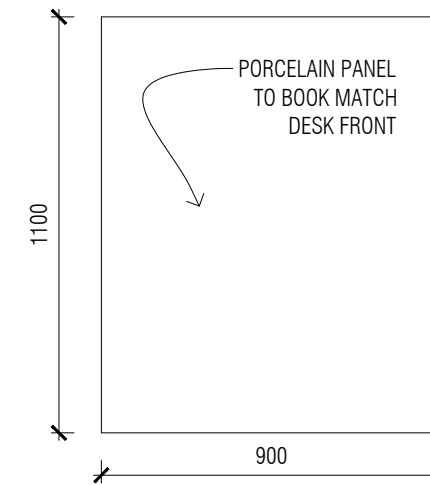
- RECEPTION DESK NOTES**
- DESK FINISHES**
- External front, side and top surfaces to be finished in Statuario Polished Quantum 6+ Porcelain Panels.
 - All internal structure to be 25mm white laminated MDF.
 - Side and top surfaces to book match front panel.
 - Mitre joins to all porcelain panels.
- DESKTOP SUPPORT**
- Provide appropriate frame support under desktop
- DRAWER FINISHES**
- All external surfaces to be finished in two-pack satin paint, in selected colour.
 - All internal surfaces to be white melamine.
 - No side panels or infill panels to be visible.

- GENERAL NOTES:**
- DIMENSIONS**
ALL DIMENSIONS ARE TAKEN FROM FINISHED FLOOR LEVEL; CABINET-MAKER TO ALLOW FOR SELECTED FLOOR FINISH THICKNESS.
- ANY OMISSIONS OR DISCREPANCIES ON THIS DRAWING, AND BETWEEN THIS DRAWING AND THE CONSTRUCTION DRAWINGS, SPECIFICATION, PRIME COST SCHEDULE, ENGINEERING DOCUMENTATION OR SITE INSTRUCTIONS, SHOULD BE REPORTED BACK TO THE ARCHITECT FOR CLARIFICATION BEFORE PROCEEDING WITH THE RELEVANT WORKS.

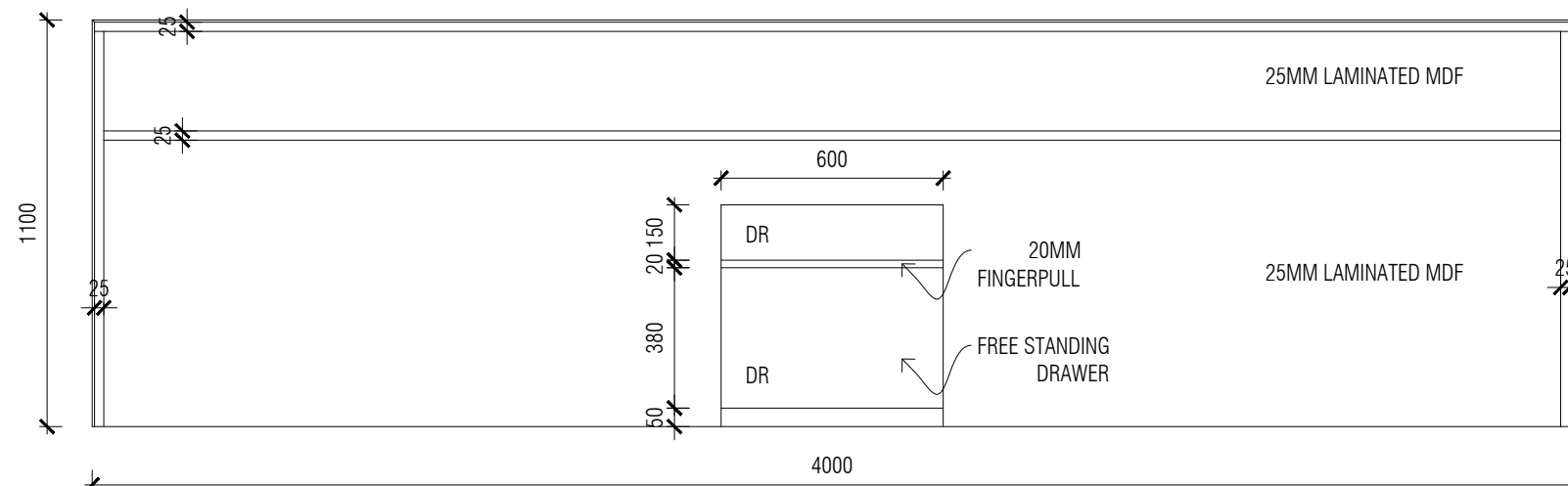


A RECEPTION DESK
SCALE 1:5 — TYPICAL DETAIL

SECTION B-B



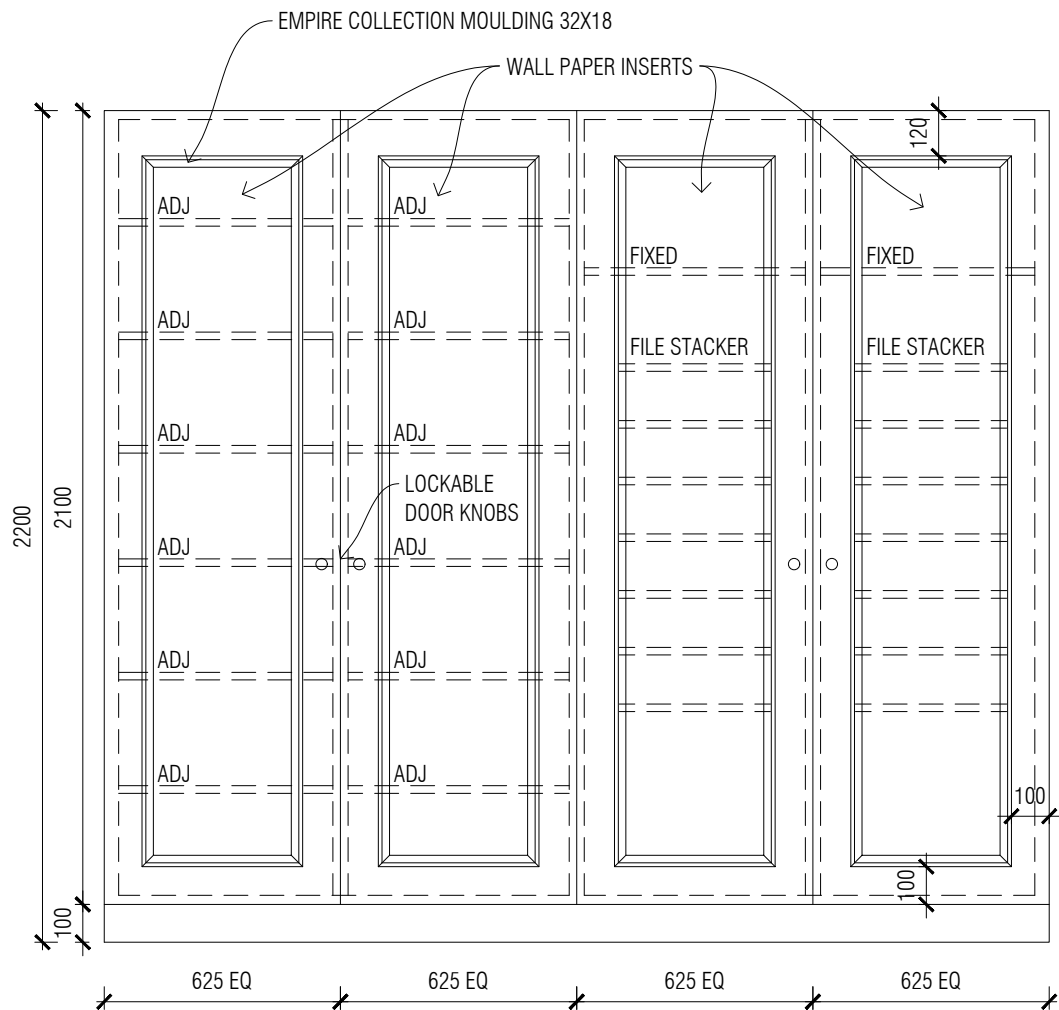
SECTION D-D



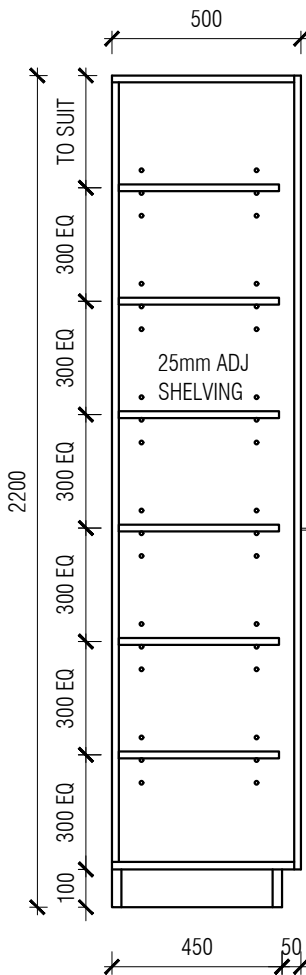
SECTION C-C

- RECEPTION DESK NOTES**
- DESK FINISHES**
- External front, side and top surfaces to be finished in Statuario Polished Quantum 6+ Porcelain Panels.
 - All internal structure to be 25mm white laminated MDF.
 - Side and top surfaces to book match front panel.
 - Mitre joints to all porcelain panels.
- DESKTOP SUPPORT**
- Provide appropriate frame support under desktop
- DRAWER FINISHES**
- All external surfaces to be finished in two-pack satin paint, in selected colour.
 - All internal surfaces to be white melamine.
 - No side panels or infill panels to be visible.

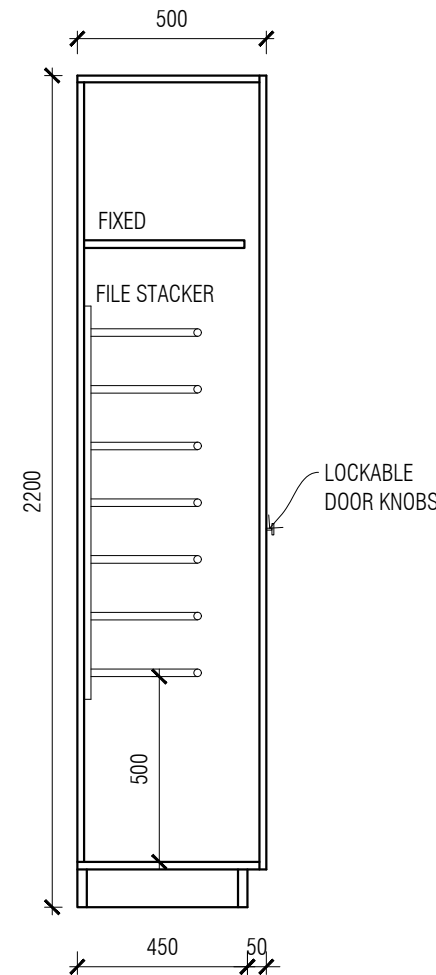
- GENERAL NOTES:**
- DIMENSIONS**
ALL DIMENSIONS ARE TAKEN FROM FINISHED FLOOR LEVEL; CABINET-MAKER TO ALLOW FOR SELECTED FLOOR FINISH THICKNESS.
- ANY OMISSIONS OR DISCREPANCIES ON THIS DRAWING, AND BETWEEN THIS DRAWING AND THE CONSTRUCTION DRAWINGS, SPECIFICATION, PRIME COST SCHEDULE, ENGINEERING DOCUMENTATION OR SITE INSTRUCTIONS, SHOULD BE REPORTED BACK TO THE ARCHITECT FOR CLARIFICATION BEFORE PROCEEDING WITH THE RELEVANT WORKS.



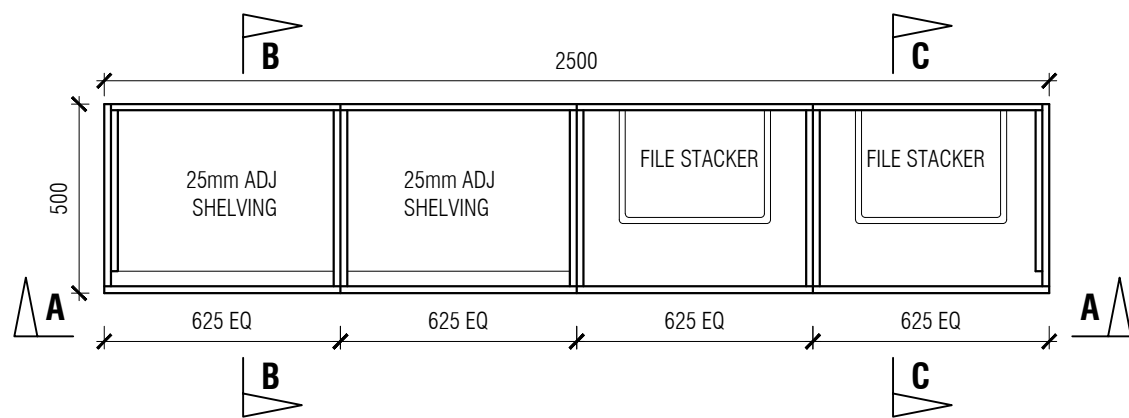
SECTION A-A



SECTION B-B



SECTION C-C



BUILT IN CABINET NOTES

CABINERY

- All adjustable shelves to be 25mm MDF
- No side panels or infill panels to be visible.

CABINERY FINISHES

- External surfaces to be finished in two-pack satin paint, in selected colour with wallpaper to the center of cabinet door panels; all internal surfaces to be white melamine.
- All cabinet doors to be lockable.

GENERAL NOTES:

DIMENSIONS
ALL DIMENSIONS ARE TAKEN FROM FINISHED FLOOR LEVEL; CABINET-MAKER TO ALLOW FOR SELECTED FLOOR FINISH THICKNESS.

ANY OMISSIONS OR DISCREPANCIES ON THIS DRAWING, AND BETWEEN THIS DRAWING AND THE CONSTRUCTION DRAWINGS, SPECIFICATION, PRIME COST SCHEDULE, ENGINEERING DOCUMENTATION OR SITE INSTRUCTIONS, SHOULD BE REPORTED BACK TO THE ARCHITECT FOR CLARIFICATION BEFORE PROCEEDING WITH THE RELEVANT WORKS.