



## Washroom Accessories

**3monkeez**<sup>®</sup>  
innovate. create. deliver.



2022

**3monkeez**

[www.3monkeez.com.au](http://www.3monkeez.com.au)  
[sales@3monkeez.com.au](mailto:sales@3monkeez.com.au)

# Washroom Accessories

## Contents

Soap Dispensers	3-6	Hand Dryer	29
Paper Towel Dispensers	7-9	Utility Shelf	30
Paper Towel Dispenser with Waste Receptacle	10-13	Door Signs	31-34
Toilet Roll Holders	14-21	Robe Hooks	35
Toilet Lock & Indicator Sets	22-24	Baby Bath	36
Baby Change Station	25	Straight Grab Rails	37
Folding Shower Seat	26	Angled Grab Rails	38-39
Disabled Compliant Mirror	27	Back Rests	40-42
Stainless Steel Mirror	28	Back Rests with Integrated Grab Rail	43-44



# Washroom Accessories

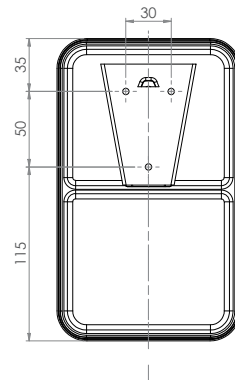
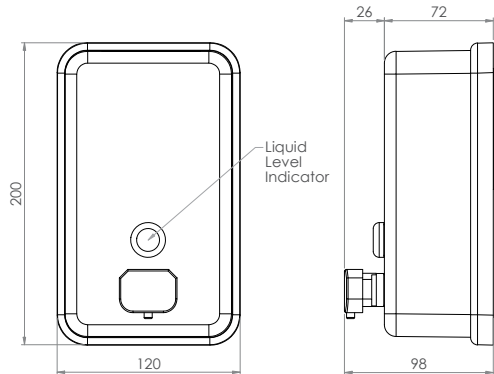
## Soap Dispensers

### WA-SD-V (VERTICAL)

- Large 1100ml capacity
- Satin stainless steel finish & key lockable
- Concealed fixings
- 200mmH x 120mmW x 98mmD
- Typical mounting height 1260mm
- Internal container to avoid corrosion



Made from PE (polyethylene)



# Washroom Accessories

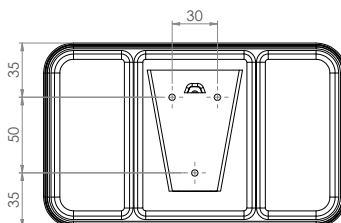
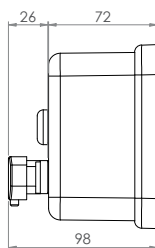
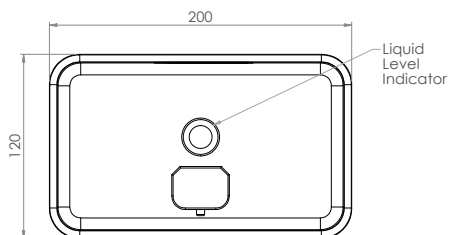
## Soap Dispensers

### WA-SD-H (HORIZONTAL)

- Large 1100ml capacity
- Satin stainless steel finish & key lockable
- Concealed fixings
- 120mmH x 200mmW x 98mmD
- Typical mounting height 1260mm
- Internal container to avoid corrosion



Made from PE (polyethylene)

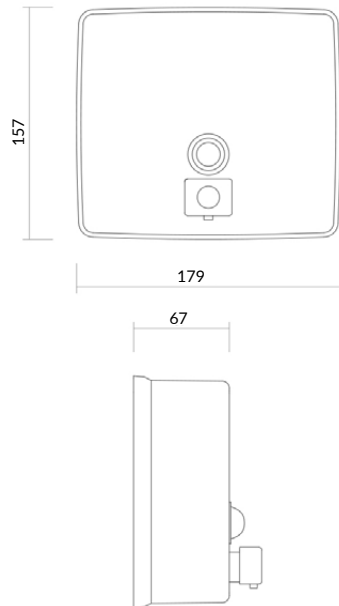


# Washroom Accessories

## Soap Dispensers

### WA-SD-S (SQUARE)

- Large 1200ml capacity
- Satin stainless steel finish & key lockable
- Concealed fixings
- 157mmH x 179mmW x 67mmD
- Typical mounting height 1260mm

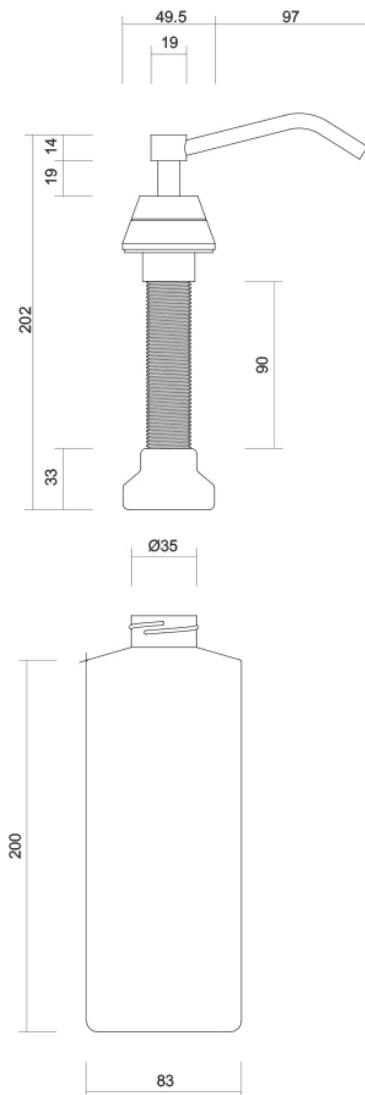


# Washroom Accessories

## Soap Dispensers

### WA-SD-B (BASIN MOUNT)

- Large 1000ml capacity
- 100mL chrome plated brass spout
- Heavy duty polyethylene soap container
- Cover diameter 50mm
- Maximum mounting thickness 93mm
- Container diameter 83mm
- Mounting hole diameter 30mm

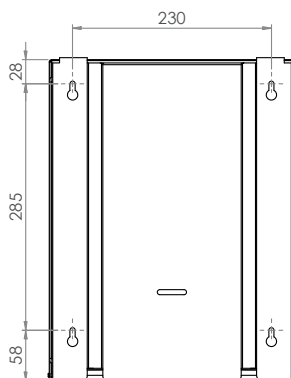
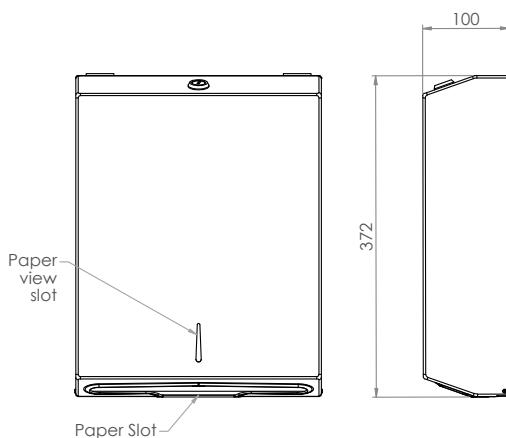
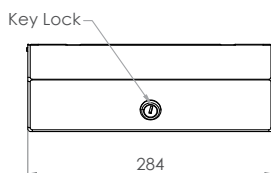


# Washroom Accessories

## Paper Towel Dispensers

### WA-PTD

- 304 grade satin stainless steel
- Key lockable
- Concealed fixings
- 372mmH x 284mmW x 100mmD
- Typical mounting height 1350mm



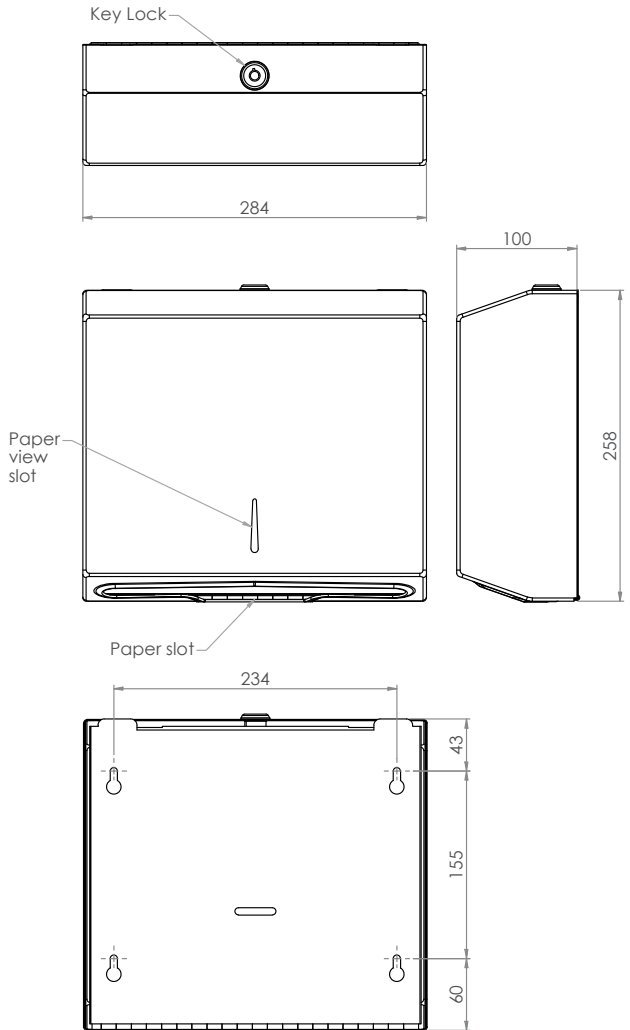
View from rear showing mounting holes

# Washroom Accessories

## Paper Towel Dispensers

### WA-PTDS

- 304 grade satin stainless steel
- Key lockable
- Concealed fixings
- 258mmH x 284mmW x 100mmD
- Typical mounting height 1350mm



View from rear showing mounting holes

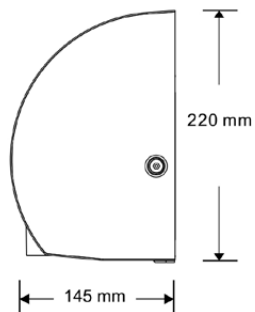
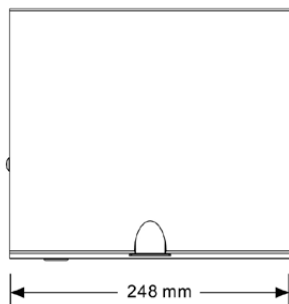


# Washroom Accessories

## Paper Towel Dispensers

### WA-PTDR

- 304 grade satin stainless steel
- Suits 80m-150m rolls
- Concealed fixings
- 220mmH x 248mmW x 145mmD
- Typical mounting height 1350mm

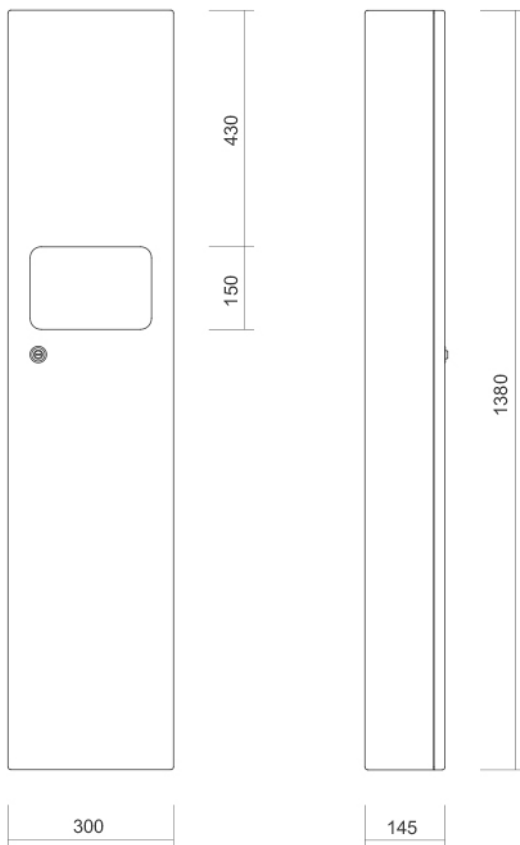


# Washroom Accessories

## Paper Towel Dispenser with Waste Receptacle

### WA-PTDWR1-SM

- Surface mounted
- Removable 13.5L waste bin
- 304 grade satin stainless steel
- Key lockable
- Concealed fixings
- 1380mmH x 300mmW x 145mmD

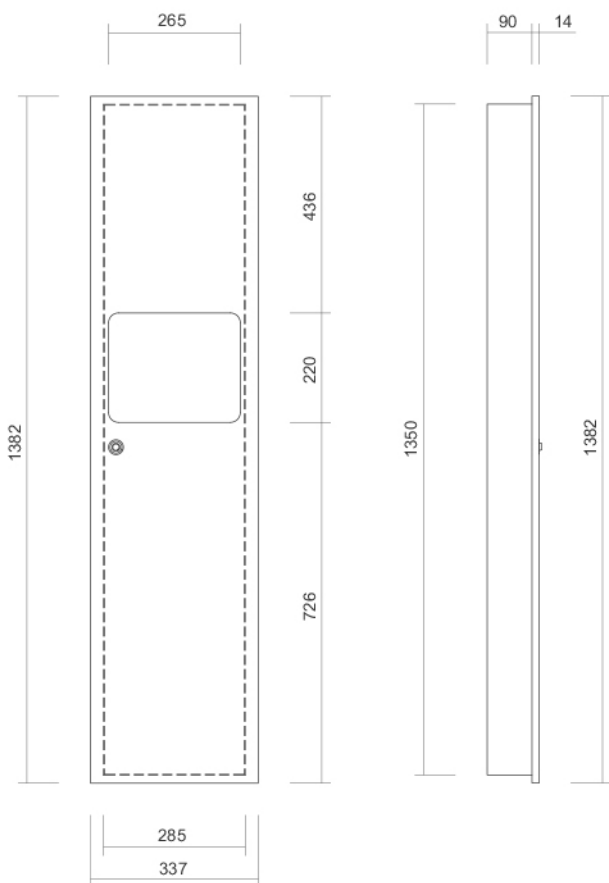


# Washroom Accessories

## Paper Towel Dispenser with Waste Receptacle

### WA-PTDWR1-R

- Recessed
- Removable 13.5L waste bin
- 304 grade satin stainless steel
- Key lockable
- Concealed fixings
- Recessed size: 1350mmH x 285mmW x 90mmD
- Overall size: 1382mmH x 337mmW x 104mmD

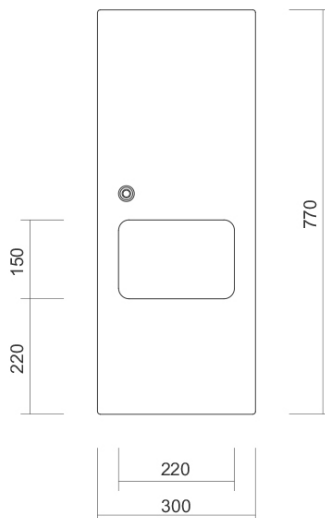


# Washroom Accessories

## Paper Towel Dispenser with Waste Receptacle

### WA-PTDWR2-SM

- Surface mounted
- Removable 6.5L waste bin
- 304 grade satin stainless steel
- Key lockable
- Concealed fixings
- 770mmH x 300mmW x 145mmD

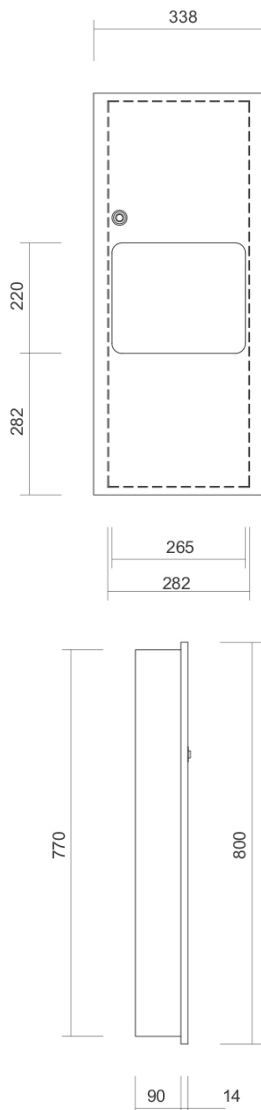


# Washroom Accessories

## Paper Towel Dispenser with Waste Receptacle

### WA-PTDWR2-R

- Recessed
- Removable 6.5L waste bin
- 304 grade satin stainless steel
- Key lockable
- Concealed fixings
- Recessed size: 770mmH x 282mmW x 90mmD
- Overall size: 800mmH x 338mmW x 104mmD

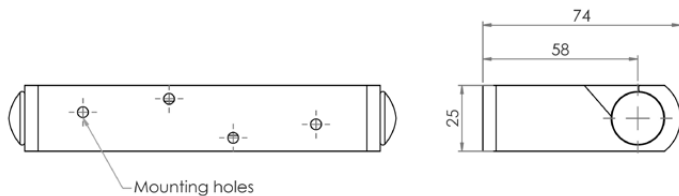
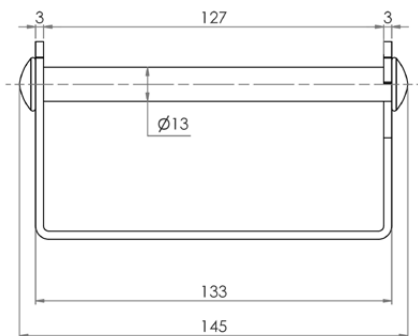


# Washroom Accessories

## Toilet Roll Holders

### WA-TRH1

- 304 grade stainless steel
- 25mmH x 145mmW x 74mmD



# Washroom Accessories

## Toilet Roll Holders

**WA-TRH2-S** (SINGLE)

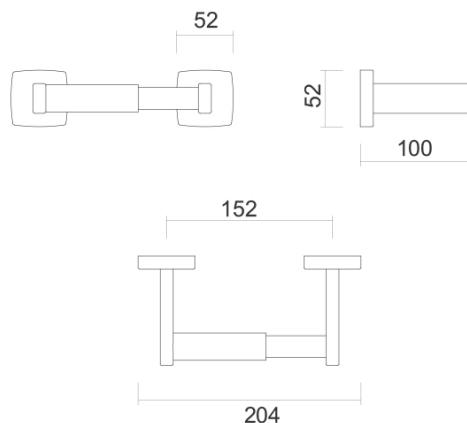
**WA-TRH2-D** (DOUBLE)

- Satin stainless steel
- Mounts with chrome-plated ABS rollers
- WA-TRH2-S - 204mmW x 100mmD
- WA-TRH2-D - 356mmW x 100mmD



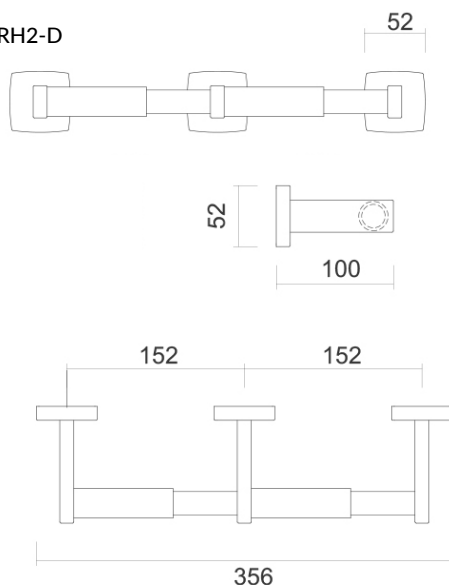
WA-TRH2-S

WA-TRH2-S



WA-TRH2-D

WA-TRH2-D



# Washroom Accessories

## Toilet Roll Holders

### WA-TRH3-S (SINGLE)

### WA-TRH3-D (DOUBLE)

- Bright polished stainless steel with hood
- WA-TRH3-S -  
162mmH x 162mmW x 52mmD
- WA-TRH3-D -  
162mmH x 325mmW x 52mmD
- Typical mounting height 575mm

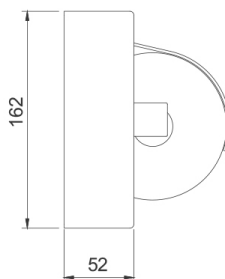
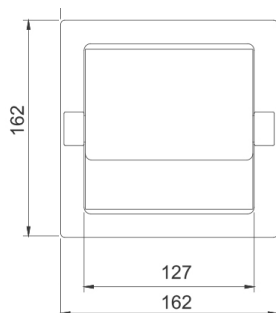


WA-TRH3-S

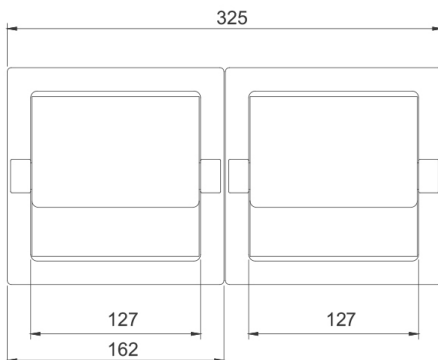


WA-TRH3-D

WA-TRH3-S



WA-TRH3-D



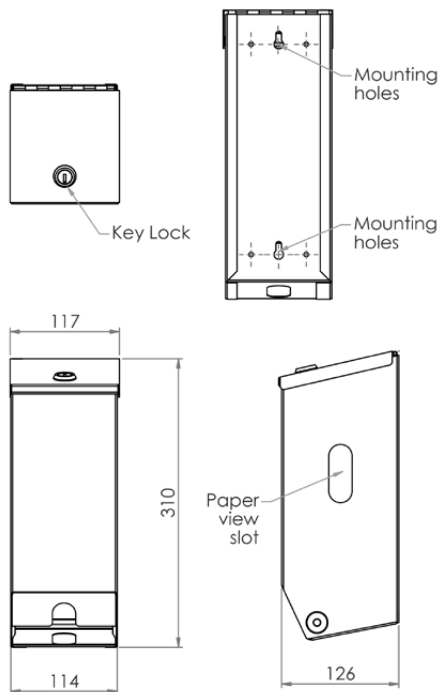


# Washroom Accessories

## Toilet Roll Holders

### WA-TRH4-D (DOUBLE)

- Satin stainless steel
- Key lockable
- 310mmH x 114mmW x 126mmD
- Typical mounting height 700mm

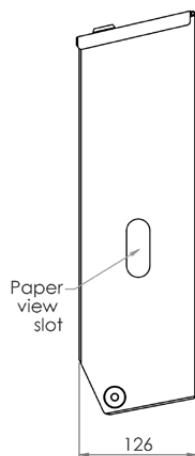
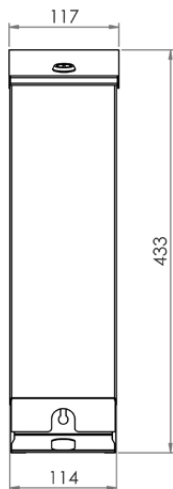
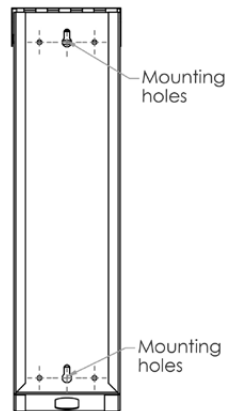
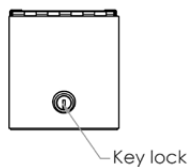


# Washroom Accessories

## Toilet Roll Holders

### WA-TRH4-T (TRIPLE)

- Satin stainless steel
- Key lockable
- 433mmH x 114mmW x 126mmD
- Typical mounting height 700mm

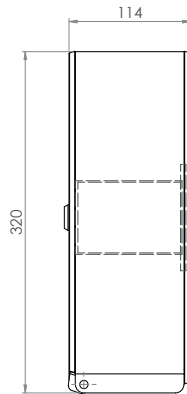
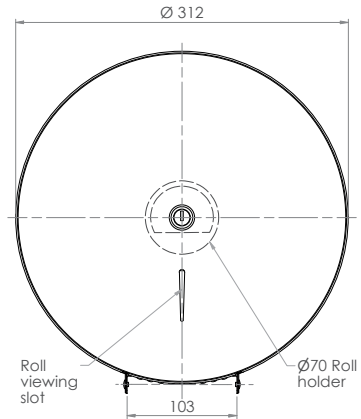


# Washroom Accessories

## Toilet Roll Holders

### WA-TRH6

- Satin stainless steel
- Key lockable
- Inner core diameter 75mm
- 320mmH x 312mmW x 114mmD



# Washroom Accessories

## Toilet Roll Holders

### WA-TRH7-S (SINGLE)

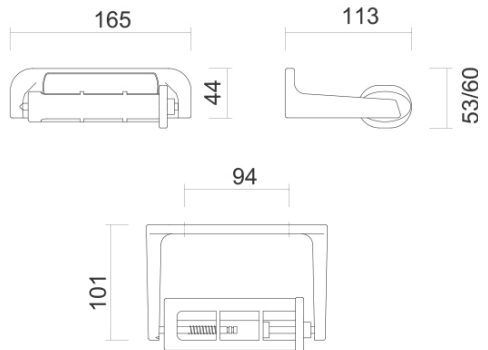
### WA-TRH7-D (DOUBLE)

- Enamel baked aluminium with ABS plastic holder
- Restricted feed and tamper resistant holder
- WA-TRH7-S - 44mmH x 165mmW x 101mmD
- WA-TRH7-D - 44mmH x 330mmW x 101mmD



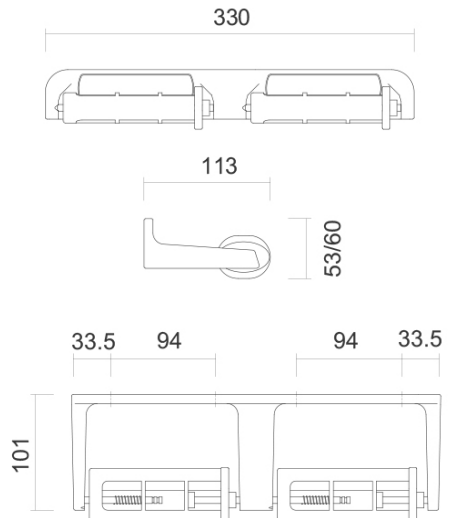
WA-TRH7-S

WA-TRH7-S



WA-TRH7-D

WA-TRH7-D

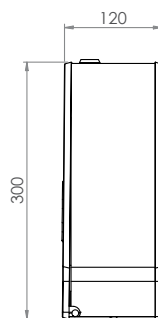
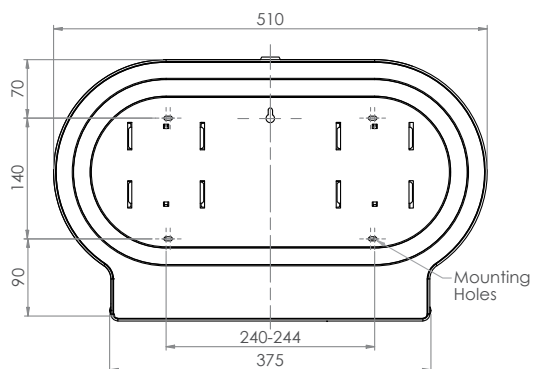
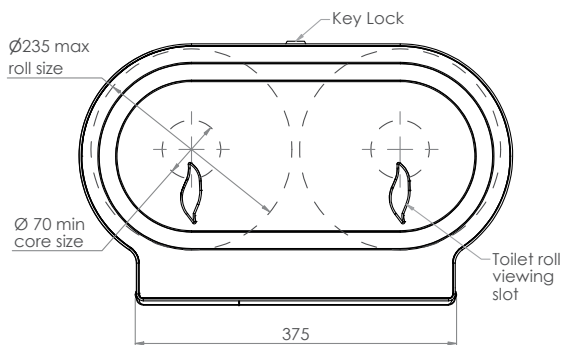


# Washroom Accessories

## Toilet Roll Holders

### WA-TRH9

- Satin stainless steel
- Key lockable
- Inner core diameter 70mm
- 300mmH x 510mmW x 120mmD



# Washroom Accessories

## Toilet Lock & Indicator Sets

### WA-TIS1

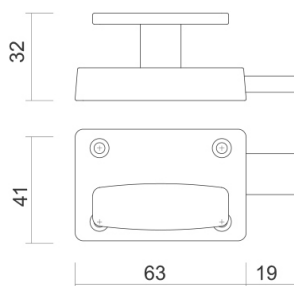
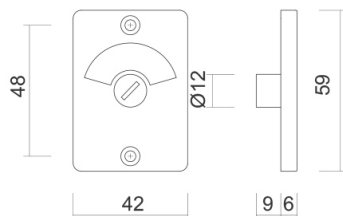
#### WA-TISSR1 (INC. SAFETY RELEASE)

- Diecast zinc with satin chrome finish
- Screw fix
- Outside - 42mmW x 59mmH x 6mmD
- Inside - 63mmW x 41mmH x 32mmD

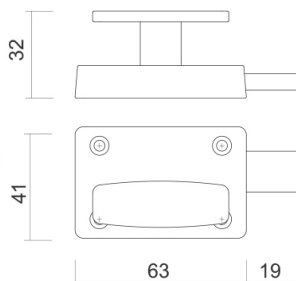
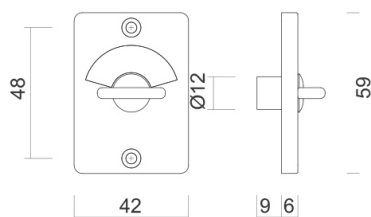


WA-TIS1 (shown) / WA-TISSR1

### WA-TIS1



### WA-TISSR1

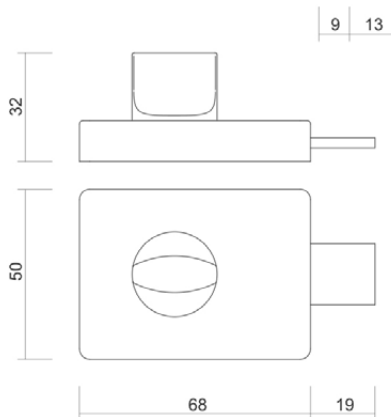
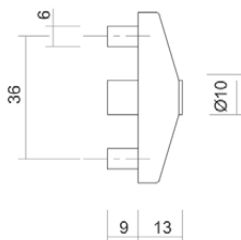
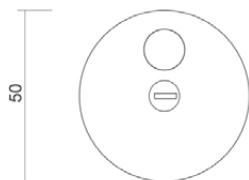


# Washroom Accessories

## Toilet Lock & Indicator Sets

### WA-TIS2

- Brass with satin chrome finish
- Concealed fix
- Outside – 50mm Diameter x 13mmD
- Inside – 68mmW x 50mmH x 32mmD

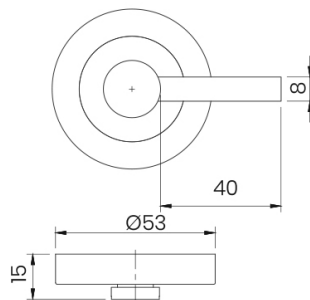
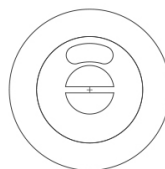
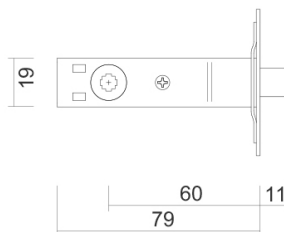
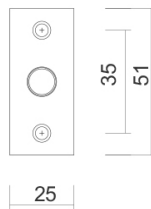


# Washroom Accessories

## Toilet Lock & Indicator Sets

### WA-TISDC

- AS1428 compliant
- 304 grade stainless steel
- Concealed fix
- 50mm snib
- Outside - 53mm Diameter x 15mmD
- Inside - 53mm Diameter x 35.5mmD with 40mm snib



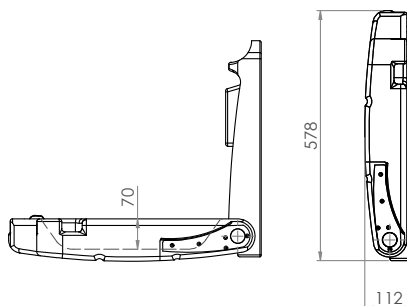
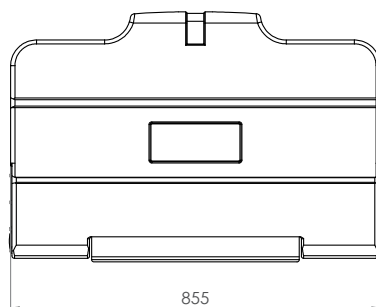
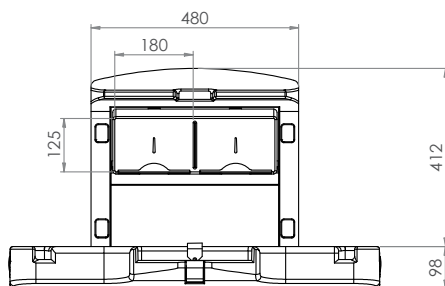


# Washroom Accessories

## Baby Change Station

### WA-BCS-H (HORIZONTAL BABY CHANGE STATION)

- Manufactured from ABS plastic
- Anti-microbial plastic on all baby contact surfaces
- Inbuilt shelf
- 855mmW x 578mmH x 112mmD



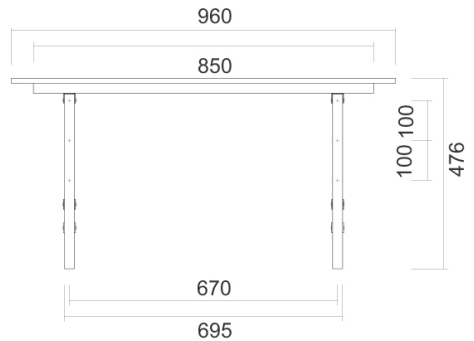
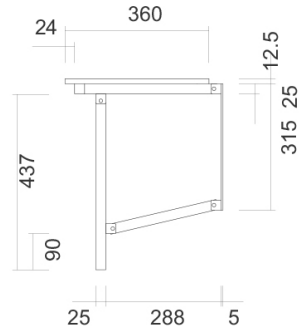
# Washroom Accessories

## Folding Shower Seat

### WA-FSS

#### (FOLDING SHOWER SEAT)

- AS1428 compliant
- One piece high pressure 13mm laminate seat with 3 drainage slots
- Fold away legs for increased support
- 25mm S/S tube legs & frame
- 960mmL x 360mmW



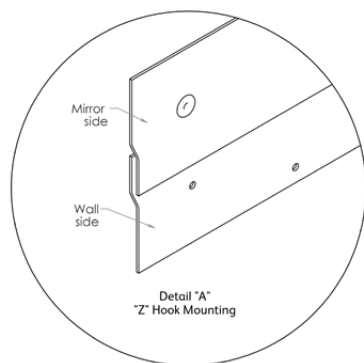
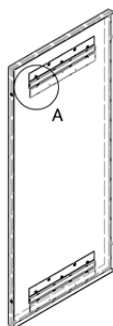
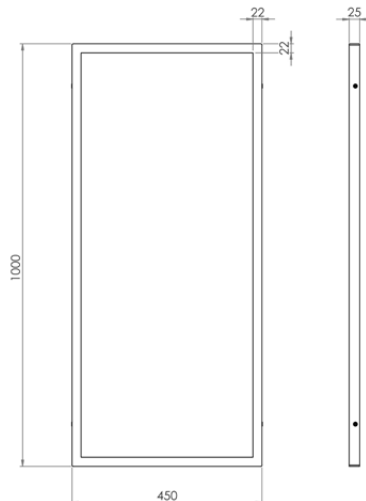
# Washroom Accessories

## Disabled Compliant Mirror

### WA-MIR-DC

(DISABLED COMPLIANT MIRROR)

- AS1428 compliant
- Satin stainless steel frame with 6mm thick plate glass
- Wall brackets secured with anti-vandal screws
- 450mmW x 1000mmH



# Washroom Accessories

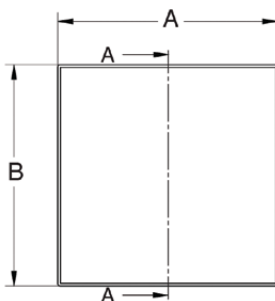
## Stainless Steel Mirror

### M-SS-MIR

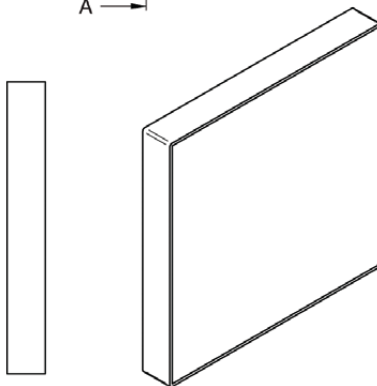
- Manufactured from high quality 1.2mm 304 or 316 grade stainless steel
- 12mm fibre cement backing
- No.8 mirror polish
- Manufactured to your requirements
- Fixing holes on request
- Surface mounted
- Anti vandal
- Durable and economical
- Custom made products incur a lead time



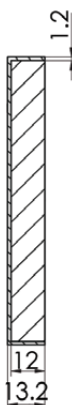
Top



Side



Cross Section

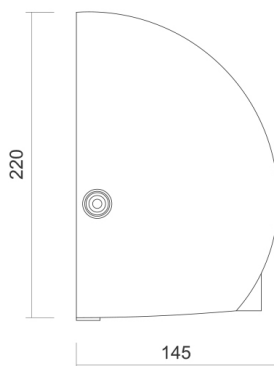
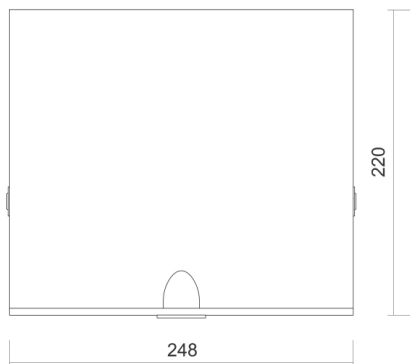


# Washroom Accessories

## Hand Dryer

### WA-HD (HAND DRYER)

- 500W brush motor
- Infrared automatic
- Less than 15 seconds dry time
- 55 degree air output temperature
- 60 seconds auto shut off
- 220mmH x 248mmW x 145mmD



# Washroom Accessories

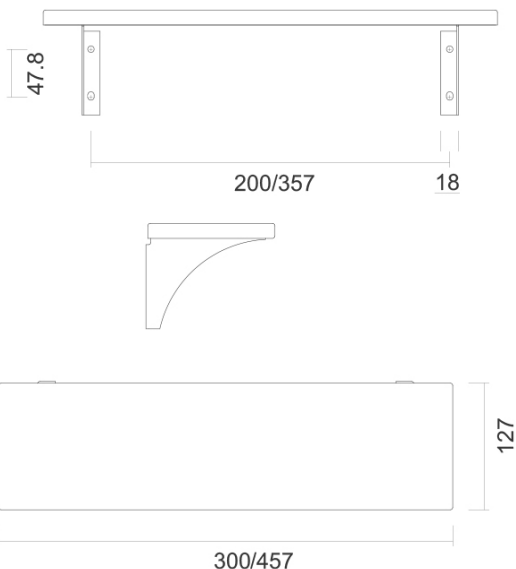
## Utility Shelf

**WA-US300** (300MM UTILITY SHELF)

**WA-US457** (457MM UTILITY SHELF)

- AS1428 compliant
- 1.5mm 304 grade satin stainless steel
- Exposed wall fixings
- WA-US300 -  
300mmL x 127mmD x 105mmH
- WA-US457 -  
457mmL x 127mmD x 105mmH

WA-US300 / WA-457



# Washroom Accessories

## Door Signs - 150mm x 150mm

WA-DS-FT

WA-DS-MT

WA-DS-UT

WA-DS-DT-LH

WA-DS-DT-RH

WA-DS-S

WA-DS-BC

- 150mm x 150mm
- Blue ABS plastic
- Includes braille



WA-DS-FT



WA-DS-MT



WA-DS-UT



WA-DS-DT-LH



WA-DS-DT-RH



WA-DS-S



WA-DS-BC

# Washroom Accessories

## Door Signs - 210mm x 180mm

WA-DS-FAT

WA-DS-FTFAT

WA-DS-MAT

WA-DS-MTMAT

WA-DS-FDT-LH

WA-DS-FDT-RH

WA-DS-MDT-LH

WA-DS-MDT-RH

WA-DS-UAT

WA-DS-UAT-LH

WA-DS-UAT-RH

WA-DS-UDTPR-LH

WA-DS-UDTPR-RH

WA-DS-UDTS-LH

WA-DS-UDTS-RH

■ 210Wmm x 180mmH

■ Blue ABS plastic

■ Includes braille



WA-DS-FAT



WA-DS-FTFAT



WA-DS-MAT



WA-DS-MTMAT



WA-DS-FDT-LH



WA-DS-FDT-RH



WA-DS-MDT-LH



WA-DS-MDT-RH



WA-DS-UAT



WA-DS-UAT-LH



WA-DS-UAT-RH



WA-DS-UDTPR-LH



WA-DS-UDTPR-RH



WA-DS-UDTS-LH



WA-DS-UDTS-RH



# Washroom Accessories

## Door Signs - 150mm x 150mm

WA-SDS-FT

WA-SDS-MT

WA-SDS-UT

WA-SDS-DT-LH

WA-SDS-DT-RH

WA-SDS-S

WA-SDS-BC

- 150mmW x 150mmH
- Silver ABS plastic
- Includes braille



WA-SDS-FT



WA-SDS-MT



WA-SDS-UT



WA-SDS-DT-LH



WA-SDS-DT-RH



WA-SDS-S



WA-SDS-BC

# Washroom Accessories

## Door Signs - 210mm x 180mm

WA-SDS-FAT

WA-SDS-FTFAT

WA-SDS-MAT

WA-SDS-MTMAT

WA-SDS-FDT-LH

WA-SDS-FDT-RH

WA-SDS-MDT-LH

WA-SDS-MDT-RH

WA-SDS-UAT

WA-SDS-UAT-LH

WA-SDS-UAT-RH

WA-SDS-UDTPR-LH

WA-SDS-UDTPR-RH

WA-SDS-UDTS-LH

WA-SDS-UDTS-RH

■ 210mmW x 180mmH

■ Silver ABS plastic

■ Includes braille

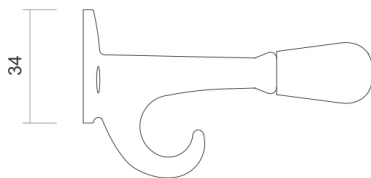
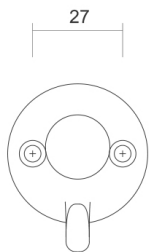


# Washroom Accessories

## Robe Hooks

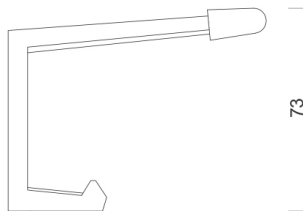
### WA-RH1

- Diecast zinc with satin chrome finish
- 34mm diameter x 87mmD



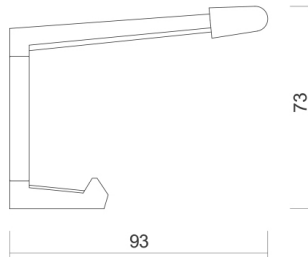
### WA-RH2

- Satin stainless steel
- Protective rubber bumper
- 73mmH x 16mmW x 93mmD



### WA-RH3

- Diecast zinc with satin chrome finish
- Protective rubber bumper
- Concealed fixings
- 73mmH x 18mmW x 93mmD



# Washroom Accessories

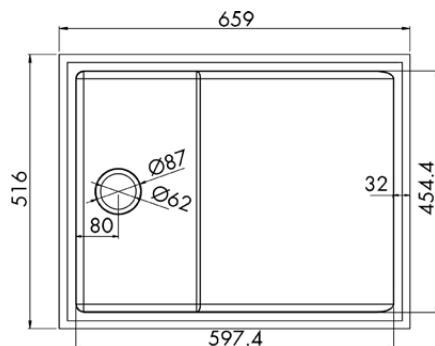
## Baby Bath

### M-BB-1-C

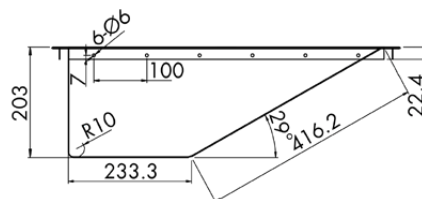
- Manufactured from 1.2mm 304 grade stainless steel
- Features a 50mm outlet - suits 3monkeez® PW50 or PW50-SS316
- Radius corners



Top



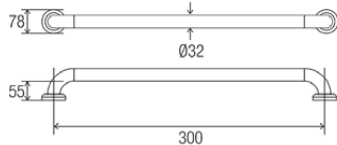
Front



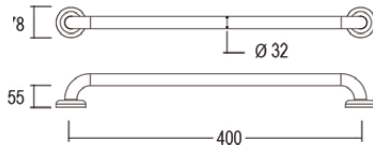
# Washroom Accessories

## Straight Grab Rails

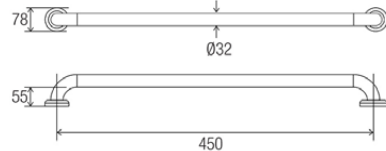
### CF-300-SS



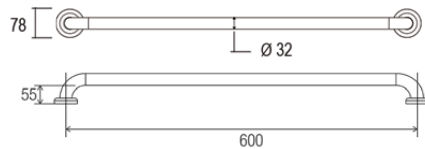
### CF-400-SS



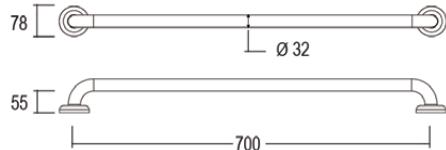
### CF-450-SS



### CF-600-SS



### CF-700-SS



- 32mm diameter x 1.2mm thickness
- 78mm clam flange
- 304 grade stainless steel
- Satin finish
- Other sizes available upon request

All grab rails are manufactured to comply with clause 17 of AS 1428.1-2009 for design and construction. For horizontal fixing of grab rails, mount 800 mm to 810 mm above floor level.

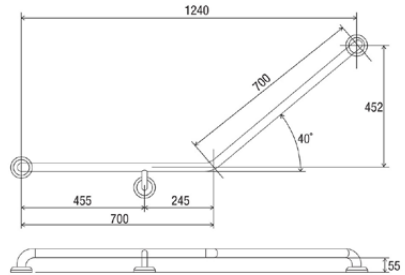
# Washroom Accessories

## Angled Grab Rails

CF-077-LH-SS  
CF-077-RH-SS



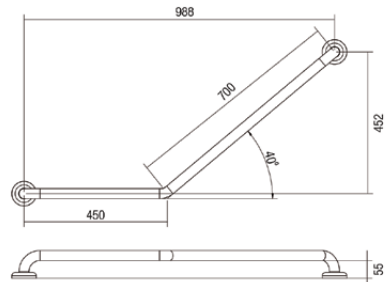
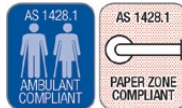
CF-077-LH-SS / CF-077-RH-SS (left hand shown)



CF-457-LH-SS  
CF-457-RH-SS



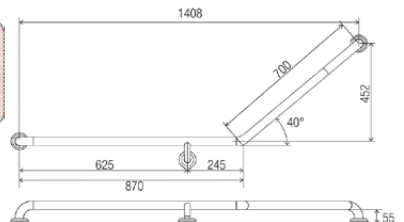
CF-457-LH-SS / CF-457-RH-SS (left hand shown)



CF-877-LH-SS  
CF-877-RH-SS



CF-877-LH-SS / CF-877-RH-SS (left hand shown)



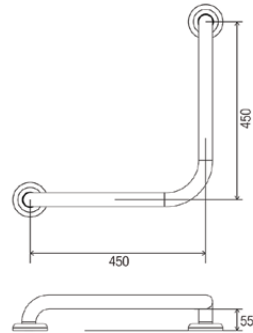
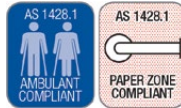
- 32mm diameter x 1.2mm thickness
- 78mm clam flange
- 304 grade stainless steel
- Satin finish
- Other sizes available upon request

All grab rails are manufactured to comply with clause 17 of AS 1428.1-2009 for design and construction. For horizontal fixing of grab rails, mount 800 mm to 810 mm above floor level.

# Washroom Accessories

## Angled Grab Rails

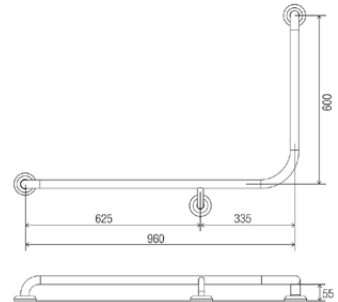
CF-454-SS



CF-454-SS

CF-966-LH-SS

CF-966-RH-SS



CF-966-LH-SS / CF-966-RH-SS (left hand shown)

- 32mm diameter x 1.2mm thickness
- 78mm clam flange
- 304 grade stainless steel
- Satin finish
- Other sizes available upon request

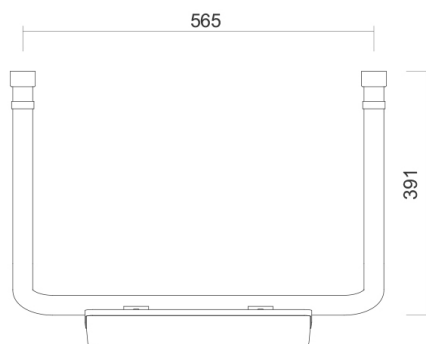
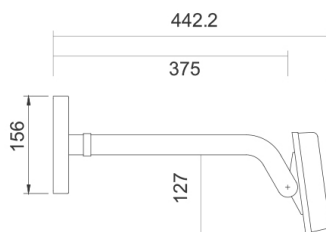
All grab rails are manufactured to comply with clause 17 of AS 1428.1-2009 for design and construction. For horizontal fixing of grab rails, mount 800 mm to 810 mm above floor level.

# Washroom Accessories

## Back Rests

### WA-BR

- 32mm diameter
- 78mm flange
- 304 grade stainless steel
- Satin finish



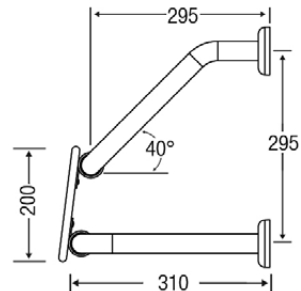
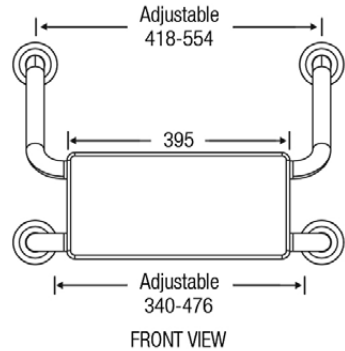


# Washroom Accessories

## Back Rests

### BR-400-CF-SS

- 96° tamperproof, sanitary safe, polar white, UV stabilised high density polyethylene (HDPE) with rounded edge back support
- 32mm diameter x 1.2mm thickness
- 78mm clam flange
- 304 grade stainless steel
- Satin finish

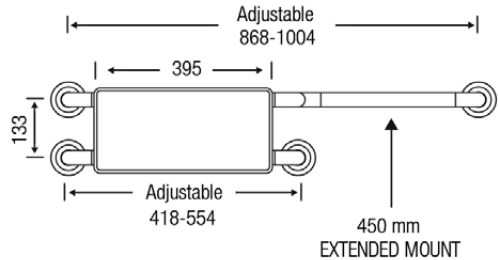
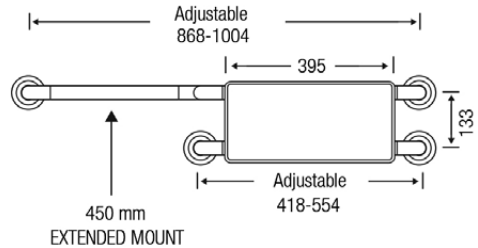


# Washroom Accessories

## Back Rests

### BR-440-CF-SS

- 96° tamperproof, sanitary safe, polar white, UV stabilised high density polyethylene (HDPE) with rounded edge back support
- Includes 450mm extension
- 32mm diameter x 1.2mm thickness
- 78mm clam flange
- 304 grade stainless steel
- Satin finish



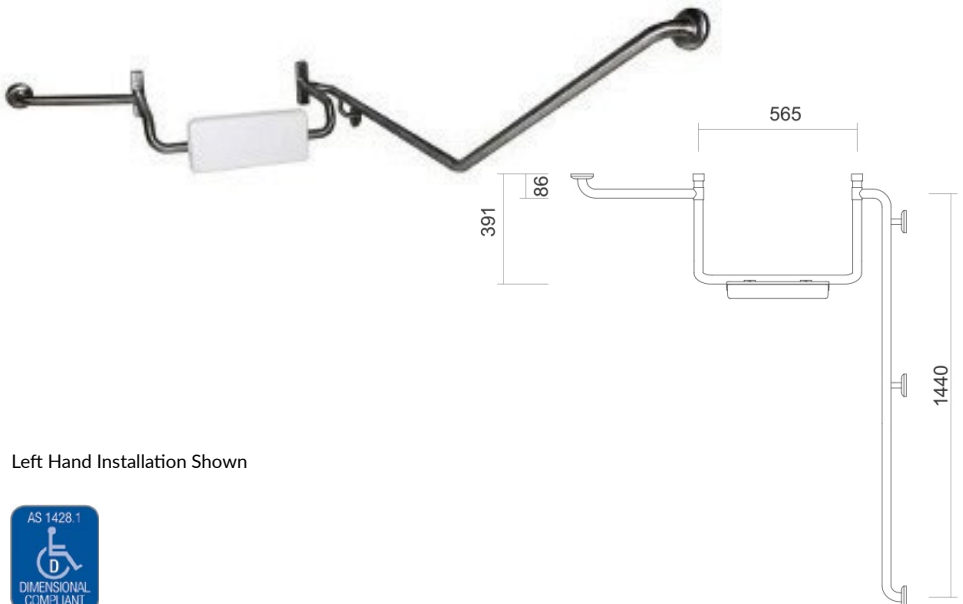
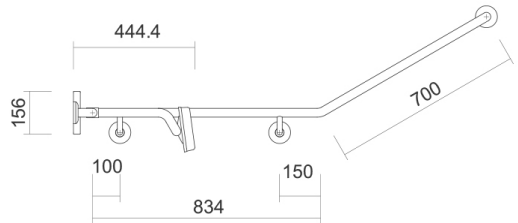
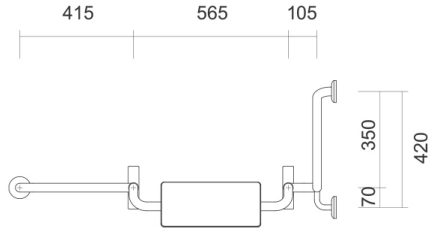
# Washroom Accessories

## Back Rests with Integrated Grab Rail

WA-BRGR-45LH

WA-BRGR-45RH

- 415mm rear grab rail length
- 834mm x 700mm side grab rail length
- 32mm diameter
- 78mm flange
- 304 grade stainless steel
- Satin finish



Left Hand Installation Shown



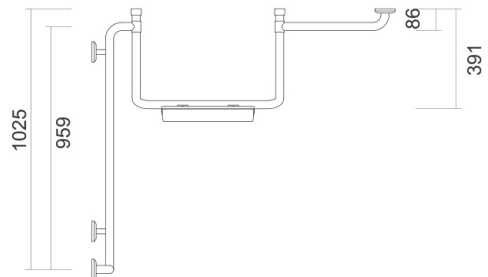
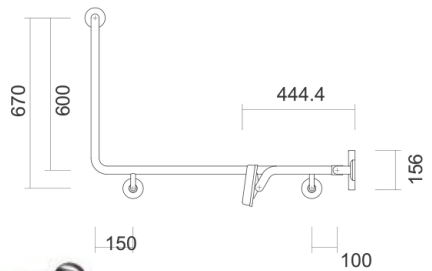
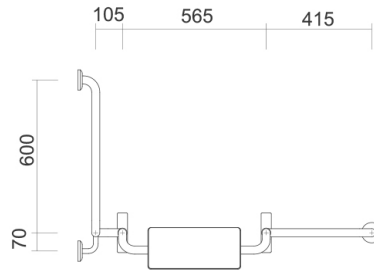
# Washroom Accessories

## Back Rests with Integrated Grab Rail

WA-BRGR-90LH

WA-BRGR-90RH

- 415mm rear grab rail length
- 960mm x 600mm side grab rail length
- 32mm diameter
- 78mm flange
- 304 grade stainless steel
- Satin finish



Right Hand Installation Shown





NSW 02 9627 6111

VIC 03 9357 6562

QLD 07 3881 0322

WA 08 6305 0681

SA 0408 299 443

ACT 0408 446 961

TAS 03 6344 7060

NT 0447 382 658

FNQ 07 4775 6956

**3monkeez**

[www.3monkeez.com.au](http://www.3monkeez.com.au)

[sales@3monkeez.com.au](mailto:sales@3monkeez.com.au)